

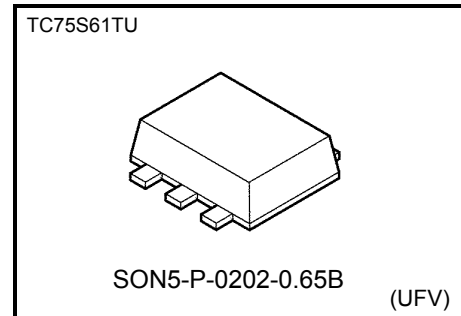
TOSHIBA CMOS Linear Integrated Circuit Silicon Monolithic

TC75S61TU

Single Operational Amplifier (Low Noise Operational Amplifier)

Features

- Low Noise Operational Amplifier: $V_{NI}=15 \text{ nV}/\sqrt{\text{Hz}}$ (typ.) at $V_{DD}=3.3 \text{ V}$
- Small Phase Delay: -2.5 degree (typ.) at $V_{DD}=3.3 \text{ V}$
- Low Current Consumption: $230 \text{ }\mu\text{A}$ (typ.) at $V_{DD}=3.3 \text{ V}$
- Ultra-compact package



Weight
SON5-P-0202-0.65B : 0.007 g (typ)

Absolute Maximum Ratings (Ta = 25°C)

Characteristics	Symbol	Rating	Unit
Supply voltage	V_{DD}, V_{SS}	6	V
Differential input voltage	DV_{IN}	± 6	V
Input voltage	V_{IN}	V_{DD} to V_{SS}	V
Output current	I_{OUT}	± 4	mA
Power dissipation	P_D	450(Note1)	mW
Operating temperature	T_{opr}	-40 to 85	°C
Storage temperature	T_{stg}	-55 to 125	°C

Note: Using continuously under heavy loads (e.g. the application of high temperature/current/voltage and the significant change in temperature, etc.) may cause this product to decrease in the reliability significantly even if the operating conditions (i.e. operating temperature/current/voltage, etc.) are within the absolute maximum ratings and the operating ranges.

Please design the appropriate reliability upon reviewing the Toshiba Semiconductor Reliability Handbook ("Handling Precautions"/"Derating Concept and Methods") and individual reliability data (i.e. reliability test report and estimated failure rate, etc).

Note1: Mounted on a glass epoxy circuit board of 30 mm × 30 mm. Pad dimension of 35mm²

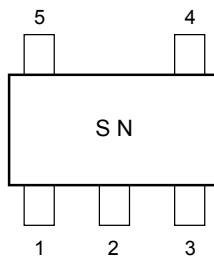
Operating Ratings (Ta = 25°C)

Characteristics	Symbol	Rating	Unit
Supply voltage	V_{DD}, V_{SS}	2.2 to 5.5	V

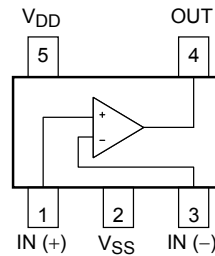
Note

1. Do not use this product in a voltage follower circuit or outside the range of the common mode input voltage. (For the common mode input voltage, see DC Characteristics on Page 2). Failure to follow this instruction may cause voltage oscillation.
2. A higher load capacitance will increase the risk of voltage oscillation, even if this product is used within the range of the common mode input voltage. Allow sufficient capacitance value margin when designing your circuit and using this product to prevent voltage oscillation.

Marking (top view)



Pin Connection (top view)



Electrical Characteristics

DC Characteristics ($V_{DD} = 3.3\text{ V}$, $V_{SS} = \text{GND}$, $T_a = 25^\circ\text{C}$)

Characteristics	Symbol	Test Circuit	Test Condition	Min	Typ.	Max	Unit
Input offset voltage	V_{IO}	1	$R_S = 1\text{ k}\Omega$, $R_F = 100\text{ k}\Omega$	—	1.5	10	mV
Input offset current	I_{IO}	—	—	—	1	—	pA
Input bias current	I_I	—	—	—	1	—	pA
Common mode input voltage	CMV_{IN}	2	$R_S = 1\text{ k}\Omega$, $R_F = 100\text{ k}\Omega$	0.95	—	2.35	V
Voltage gain (open loop)	G_V	—	—	60	70	—	dB
Maximum output voltage	V_{OH}	3	$R_L \geq 100\text{ k}\Omega$	3.2	—	—	V
	V_{OL}	4	$R_L \geq 100\text{ k}\Omega$	—	—	0.1	
Common mode input signal rejection ratio	CMRR	2	$V_{IN} = 0.95\text{ to }2.35\text{ V}$	54	85	—	dB
Supply voltage rejection ratio	SVRR	1	$V_{DD} = 2.2\text{ to }5.5\text{ V}$	60	77	—	dB
Supply current	I_{DD}	5	—	—	230	550	μA
Source current	I_{source}	6	—	500	800	—	μA
Sink current	I_{sink}	7	—	1200	3000	—	μA

AC Characteristics ($V_{DD} = 3.3\text{ V}$, $V_{SS} = \text{GND}$, $T_a = 25^\circ\text{C}$)

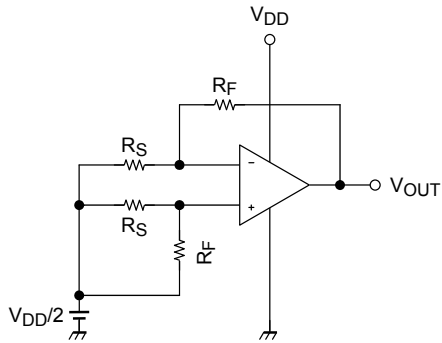
Characteristics	Symbol	Test Circuit	Test Condition	Min	Typ.	Max	Unit
Equivalent input Noise Voltage	V_{NI}	—	$f=1\text{kHz}$, $A_V=40\text{dB}$, $R_S=100\Omega$, $R_F=10\text{k}\Omega$	—	15	—	$\text{nV}/\sqrt{\text{Hz}}$
Unity Gain Cross Frequency	f_T	—	$A_V = 40\text{ dB}$	—	3.5	—	MHz
Phase delay	ϕ_D	8	$f=2\text{kHz}$	—	-2.5	—	degree

AC Characteristics ($V_{DD} = 1.65\text{ V}$, $V_{SS} = -1.65\text{V}$, $T_a = 25^\circ\text{C}$)

Characteristics	Symbol	Test Circuit	Test Condition	Min	Typ.	Max	Unit
Slew Rate	SR	9	$A_V = 12\text{ dB}$, $V_{IN} = \pm 0.4\text{ V}$	—	2.9	—	$\text{V}/\mu\text{s}$

Test Circuit

1. SVRR, V_{IO}



- SVRR
- For each of the two V_{DD} values, measure the V_{OUT} value, as indicated below, and calculate the value of SVRR using the equation shown.

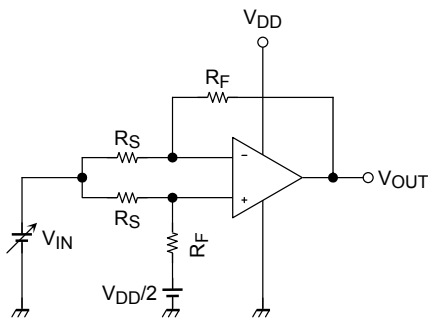
When $V_{DD} = 2.2\text{ V}$, $V_{DD} = V_{DD1}$ and $V_{OUT} = V_{OUT1}$
 When $V_{DD} = 5.5\text{ V}$, $V_{DD} = V_{DD2}$ and $V_{OUT} = V_{OUT2}$

$$SVRR = 20 \log \left(\left| \frac{V_{OUT1} - V_{OUT2}}{V_{DD1} - V_{DD2}} \right| \times \frac{R_S}{R_F + R_S} \right)$$

- V_{IO}
 Measure the value of V_{OUT} and calculate the value of V_{IO} using the following equation.

$$V_{IO} = \left(V_{OUT} - \frac{V_{DD}}{2} \right) \times \frac{R_S}{R_F + R_S}$$

2. CMRR, CMV_{IN}



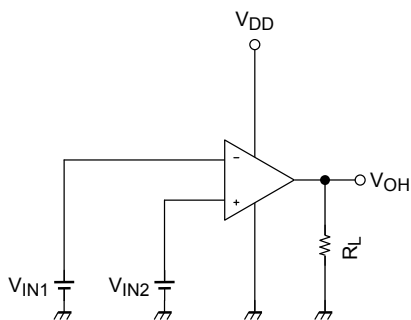
- CMRR
 Measure the V_{OUT} value, as indicated below, and calculate the value of the CMRR using the equation shown.

When $V_{IN} = 0.95\text{ V}$, $V_{IN} = V_{IN1}$ and $V_{OUT} = V_{OUT1}$
 When $V_{IN} = 2.35\text{ V}$, $V_{IN} = V_{IN2}$ and $V_{OUT} = V_{OUT2}$

$$CMRR = 20 \log \left(\left| \frac{V_{OUT1} - V_{OUT2}}{V_{IN1} - V_{IN2}} \right| \times \frac{R_S}{R_F + R_S} \right)$$

- CMV_{IN}
 Input range within which the CMRR specification guarantees V_{OUT} value (as varied by the V_{IN} value).

3. V_{OH}

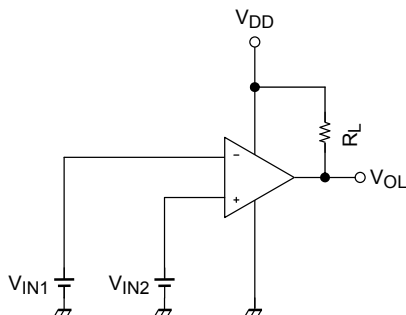


- V_{OH}

$$V_{IN1} = \frac{V_{DD}}{2} - 0.05\text{ V}$$

$$V_{IN2} = \frac{V_{DD}}{2} + 0.05\text{ V}$$

4. V_{OL}

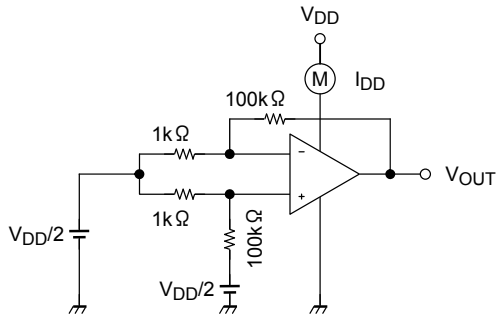


- V_{OL}

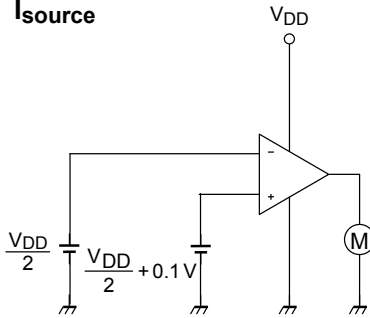
$$V_{IN1} = \frac{V_{DD}}{2} + 0.05\text{ V}$$

$$V_{IN2} = \frac{V_{DD}}{2} - 0.05\text{ V}$$

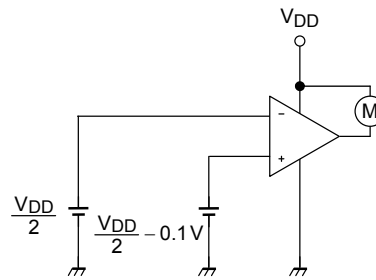
5. I_{DD}



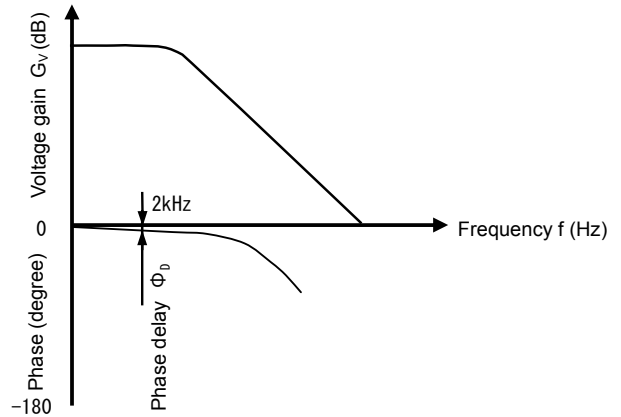
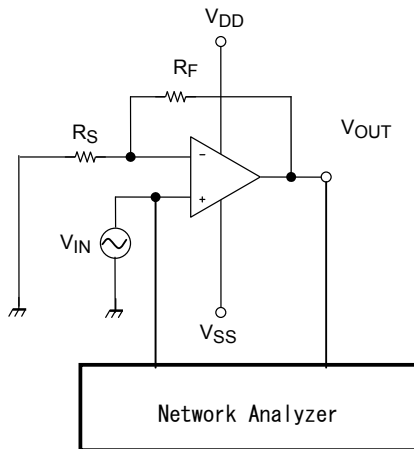
6. I_{source}



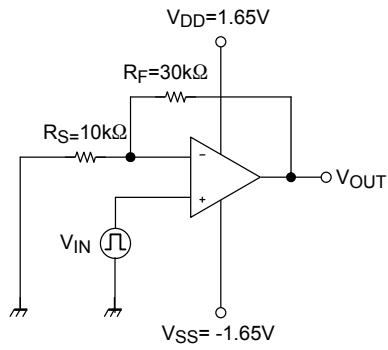
7. I_{sink}



8. ϕ_D



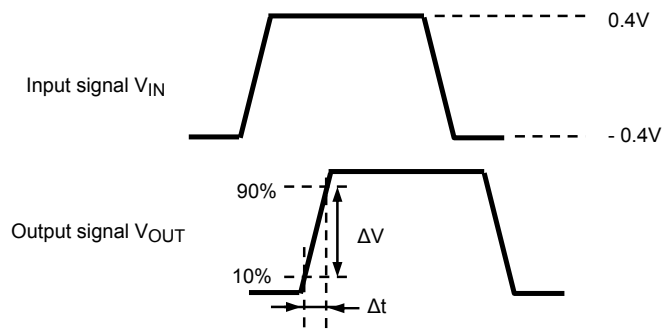
9.SR



- SR

$$A_V = 1 + \frac{R_F}{R_S} = 12\text{dB}$$

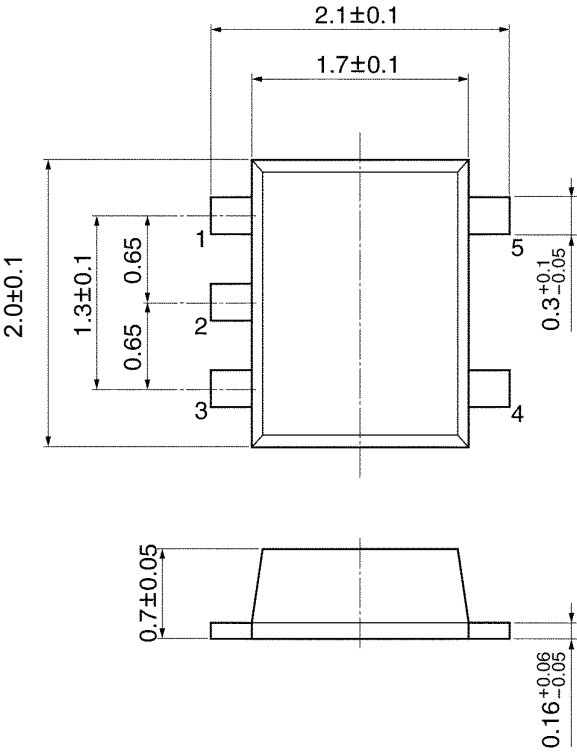
$$SR = \frac{\Delta t}{\Delta V}$$



Package Dimension

SON5-P-0202-0.65B

Unit: mm



Weight : 0.007 g (typ)

RESTRICTIONS ON PRODUCT USE

20070701-EN GENERAL

- The information contained herein is subject to change without notice.
- TOSHIBA is continually working to improve the quality and reliability of its products. Nevertheless, semiconductor devices in general can malfunction or fail due to their inherent electrical sensitivity and vulnerability to physical stress. It is the responsibility of the buyer, when utilizing TOSHIBA products, to comply with the standards of safety in making a safe design for the entire system, and to avoid situations in which a malfunction or failure of such TOSHIBA products could cause loss of human life, bodily injury or damage to property.
In developing your designs, please ensure that TOSHIBA products are used within specified operating ranges as set forth in the most recent TOSHIBA products specifications. Also, please keep in mind the precautions and conditions set forth in the "Handling Guide for Semiconductor Devices," or "TOSHIBA Semiconductor Reliability Handbook" etc.
- The TOSHIBA products listed in this document are intended for usage in general electronics applications (computer, personal equipment, office equipment, measuring equipment, industrial robotics, domestic appliances, etc.). These TOSHIBA products are neither intended nor warranted for usage in equipment that requires extraordinarily high quality and/or reliability or a malfunction or failure of which may cause loss of human life or bodily injury ("Unintended Usage"). Unintended Usage include atomic energy control instruments, airplane or spaceship instruments, transportation instruments, traffic signal instruments, combustion control instruments, medical instruments, all types of safety devices, etc.. Unintended Usage of TOSHIBA products listed in this document shall be made at the customer's own risk.
- The products described in this document shall not be used or embedded to any downstream products of which manufacture, use and/or sale are prohibited under any applicable laws and regulations.
- The information contained herein is presented only as a guide for the applications of our products. No responsibility is assumed by TOSHIBA for any infringements of patents or other rights of the third parties which may result from its use. No license is granted by implication or otherwise under any patents or other rights of TOSHIBA or the third parties.
- Please contact your sales representative for product-by-product details in this document regarding RoHS compatibility. Please use these products in this document in compliance with all applicable laws and regulations that regulate the inclusion or use of controlled substances. Toshiba assumes no liability for damage or losses occurring as a result of noncompliance with applicable laws and regulations.