

TC75S59AFE, TC75S59AFC

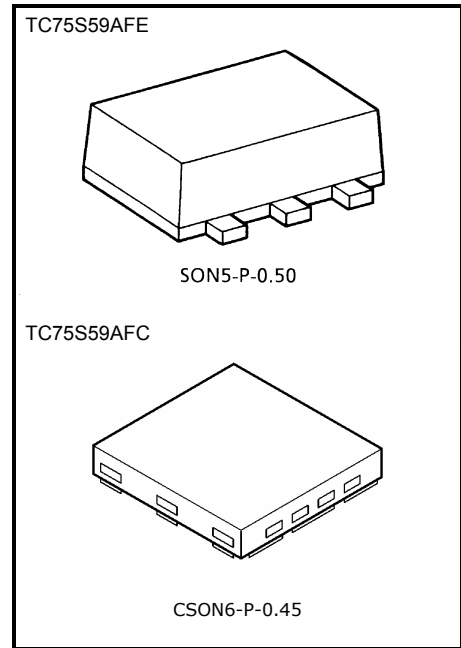
Single Comparator (Open-Drain Output)

The TC75S59AFE and TC75S59AFC are CMOS general-purpose single comparators. The devices can operate from a single supply voltage and are designed for a lower supply-current than conventional general-purpose bipolar comparators. The output is designed for Open-Drain Output and can supply a higher voltage than the power supply. Therefore, it is possible to pull-up the voltage to a level higher than that of the power supply. The Open-Drain Output can be wired-OR with another Open-Drain Output circuit.

* Output voltage should not exceed the maximum rating.

Features

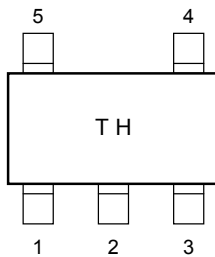
- Low Supply Current: $I_{DD} = 100 \mu A$ (typ.)
- Single Power Supply Operation
- Wide Common Mode Input Voltage Range: $V_{SS} \sim V_{DD} - 0.9 V$
- Open-Drain Output Circuit
- Low Input Bias Current
- Small Package



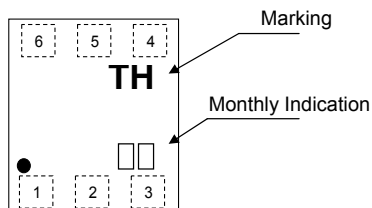
Weight
 SON5-P-0.50 : 0.003 g (typ.)
 CSON6-P-0.45 : 0.002 g (typ.)

Marking (top view)

TC75S59AFE

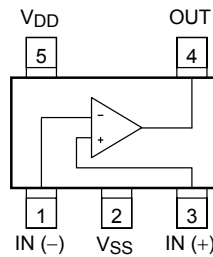


TC75S59AFC

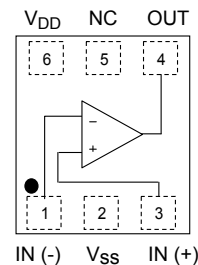


Pin Assignment (top view)

TC75S59AFE



TC75S59AFC



Absolute Maximum Ratings (Ta = 25°C)

Characteristics	Symbol	Rating	Unit	
Supply Voltage	V_{DD}, V_{SS}	± 3.5 or 7	V	
Differential Input Voltage	DV_{IN}	± 7	V	
Input Voltage	V_{IN}	$V_{SS} \sim V_{DD}$	V	
Output Current	I_O	± 35	mA	
Output Voltage	V_O	$V_{SS} \sim V_{SS} + 7$	V	
Power Dissipation	P_D	TC75S59AFE	100	mW
		TC75S59AFC	100 (Note 1)	
Operating Temperature	T_{opr}	-40~85	°C	
Storage Temperature	T_{stg}	-55~125	°C	

Note: Due to the CMOS structure, this device may be susceptible to latch-up. To prevent latch-up, please take the following precautions;

- Ensure that no I/O pin's voltage level ever exceeds V_{DD} or drops below V_{SS} . In addition, check the power-on timing.
- Do not subject the device to excessive noise.

(Note 1) : FR4 in board implementation
(25.4mm × 25.4mm × 1.6t, Cu Pad: 0.4mm²)

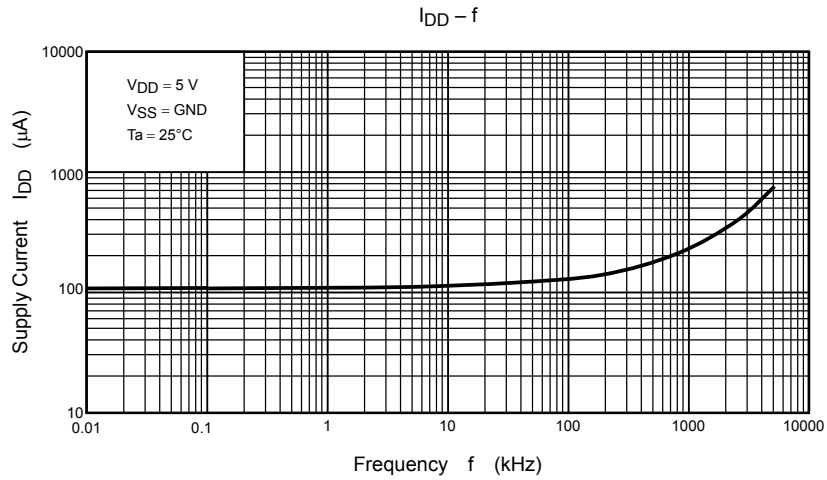
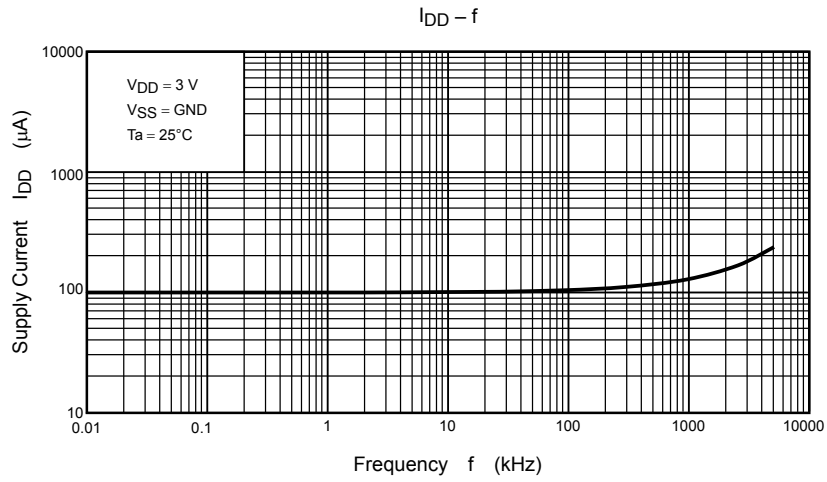
Electrical Characteristics ($V_{DD} = 5\text{ V}$, $V_{SS} = \text{GND}$, $T_a = 25^\circ\text{C}$)

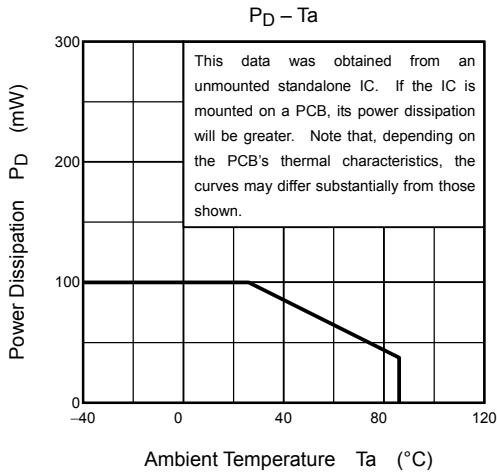
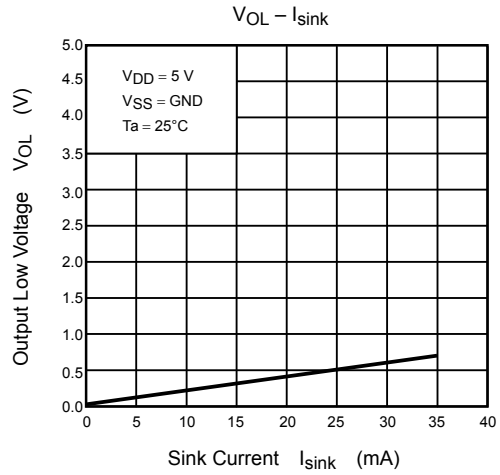
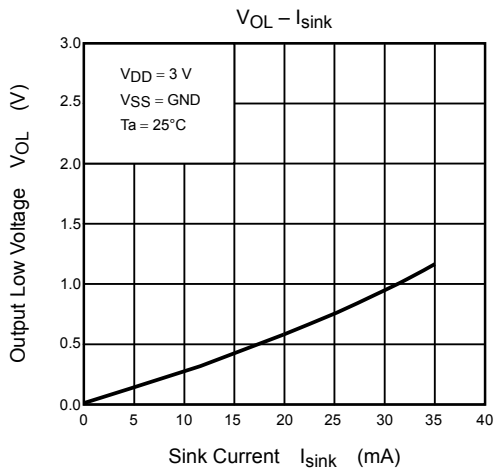
Characteristics	Symbol	Test Circuit	Test Condition	Min.	Typ.	Max.	Unit
Input Offset Voltage	V_{IO}	—	—	—	± 1	± 7	mV
Input Offset Current	I_{IO}	—	—	—	1	—	pA
Input Bias Current	I_I	—	—	—	1	—	pA
Common Mode Input Voltage	CMV_{IN}	—	—	0	—	4.1	V
Supply Current	$I_{DD}(\text{Note1})$	—	—	—	110	220	μA
Voltage Gain	G_V	—	—	—	94	—	dB
Sink Current	I_{sink}	—	$V_{OL} = 0.5\text{ V}$	13	25	—	mA
Output Leakage Current	I_{LEAK}	—	$V_{DD} = 5\text{ V}$, $V_O = 5\text{ V}$	—	5	—	nA
Off-state Leakage Current	I_{OFF}	—	$V_{DD} = 0\text{ V}$, $V_O = 5\text{ V}$	—	5	—	nA
Output Low Voltage	V_{OL}	—	$I_{\text{sink}} = 5.0\text{ mA}$	—	0.1	0.3	V
Operating Supply Voltage Range	V_{DD}	—	—	1.8	—	7.0	V
Propagation Delay (Turn on)	$t_{\text{PLH}}(1)$	—	Over Drive = 100 mV	—	200	—	ns
	$t_{\text{PLH}}(2)$	—	TTL Step Input	—	140	—	
Propagation Delay (Turn off)	$t_{\text{PHL}}(1)$	—	Over Drive = 100 mV	—	80	—	ns
	$t_{\text{PHL}}(2)$	—	TTL Step Input	—	60	—	
Response Time	t_{TLH}	—	Over Drive = 100 mV	—	160	—	ns
	t_{THL}	—	Over Drive = 100 mV	—	3	—	

Electrical Characteristics ($V_{DD} = 3\text{ V}$, $V_{SS} = \text{GND}$, $T_a = 25^\circ\text{C}$)

Characteristics	Symbol	Test Circuit	Test Condition	Min.	Typ.	Max.	Unit
Input Offset Voltage	V_{IO}	—	—	—	± 1	± 7	mV
Input Offset Current	I_{IO}	—	—	—	1	—	pA
Input Bias Current	I_I	—	—	—	1	—	pA
Common Mode Input Voltage	CMV_{IN}	—	—	0	—	2.1	V
Supply Current	$I_{DD}(\text{Note1})$	—	—	—	100	200	μA
Sink Current	I_{sink}	—	$V_{OL} = 0.5\text{ V}$	6	18	—	mA
Output Leakage Current	I_{LEAK}	—	$V_{DD} = 3\text{ V}$, $V_O = 3\text{ V}$	—	5	—	nA
Off-State Leakage Current	I_{OFF}	—	$V_{DD} = 0\text{ V}$, $V_O = 3\text{ V}$	—	5	—	nA
Output Low Voltage	V_{OL}	—	$I_{\text{sink}} = 5.0\text{ mA}$	—	0.15	0.35	V
Propagation Delay (Turn On)	t_{PLH}	—	Over Drive = 100 mV	—	160	—	ns
Propagation Delay (Turn Off)	t_{PHL}	—	Over Drive = 100 mV	—	70	—	ns
Response Time	t_{TLH}	—	Over Drive = 100 mV	—	170	—	ns
	t_{THL}	—	Over Drive = 100 mV	—	3	—	

Note1: The current consumption of this device increases as its operating frequency increases. Note that the power dissipation should not exceed the allowable power.

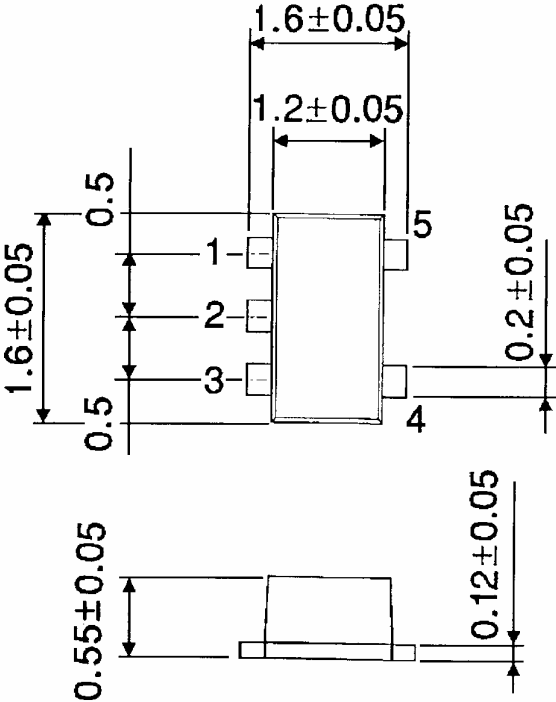




Package Dimensions

SON5-P-0.50

Unit : mm

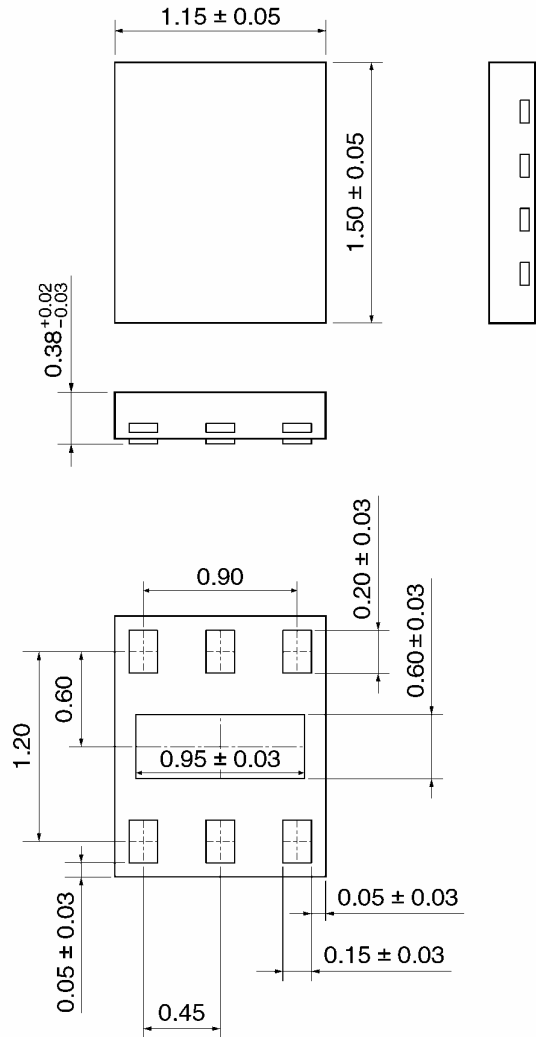


Weight: 0.003 g (Typ.)

Package Dimensions

CSON6-P-0.45

Unit: mm



Weight: 0.002 g (Typ.)

RESTRICTIONS ON PRODUCT USE

20070701-EN

- The information contained herein is subject to change without notice.
- TOSHIBA is continually working to improve the quality and reliability of its products. Nevertheless, semiconductor devices in general can malfunction or fail due to their inherent electrical sensitivity and vulnerability to physical stress. It is the responsibility of the buyer, when utilizing TOSHIBA products, to comply with the standards of safety in making a safe design for the entire system, and to avoid situations in which a malfunction or failure of such TOSHIBA products could cause loss of human life, bodily injury or damage to property.
In developing your designs, please ensure that TOSHIBA products are used within specified operating ranges as set forth in the most recent TOSHIBA products specifications. Also, please keep in mind the precautions and conditions set forth in the "Handling Guide for Semiconductor Devices," or "TOSHIBA Semiconductor Reliability Handbook" etc.
- The TOSHIBA products listed in this document are intended for usage in general electronics applications (computer, personal equipment, office equipment, measuring equipment, industrial robotics, domestic appliances, etc.). These TOSHIBA products are neither intended nor warranted for usage in equipment that requires extraordinarily high quality and/or reliability or a malfunction or failure of which may cause loss of human life or bodily injury ("Unintended Usage"). Unintended Usage include atomic energy control instruments, airplane or spaceship instruments, transportation instruments, traffic signal instruments, combustion control instruments, medical instruments, all types of safety devices, etc.. Unintended Usage of TOSHIBA products listed in his document shall be made at the customer's own risk.
- The products described in this document shall not be used or embedded to any downstream products of which manufacture, use and/or sale are prohibited under any applicable laws and regulations.
- Please contact your sales representative for product-by-product details in this document regarding RoHS compatibility. Please use these products in this document in compliance with all applicable laws and regulations that regulate the inclusion or use of controlled substances. Toshiba assumes no liability for damage or losses occurring as a result of noncompliance with applicable laws and regulations.