

TS32MSS64V6F

144PIN PC133 Unbuffered SO-DIMM
256MB With 32M X 8 CL3

Description

The TS32MSS64V6F is a 32M bit x 64 Synchronous Dynamic RAM high-density memory module. The TS32MSS64V6F consists of 8 piece of CMOS 32Mx8bits Synchronous DRAMs in TSOP-II 400mil packages and a 2048 bits serial EEPROM on a 144-pin printed circuit board. The TS32MSS64V6F is a Dual In-Line Memory Module and is intended for mounting into 144-pin edge connector sockets.

Synchronous design allows precise cycle control with the use of system clock. I/O transactions are possible on every clock cycle. Range of operation frequencies, programmable latencies allow the same device to be useful for a variety of high bandwidth, high performance memory system applications.

Features

- RoHS compliant products.
- Performance Range: PC133.
- Burst Mode Operation.
- Auto and Self Refresh.
- Serial Presence Detect (SPD) with serial EEPROM
- LVTTTL compatible inputs and outputs.
- Single 3.3V \pm 0.3V power supply.
- MRS cycle with address key programs.
Latency (Access from column address)
Burst Length (1,2,4,8 & Full Page)
Data Sequence (Sequential & Interleave)
- All inputs are sampled at the positive going edge of the system clock.

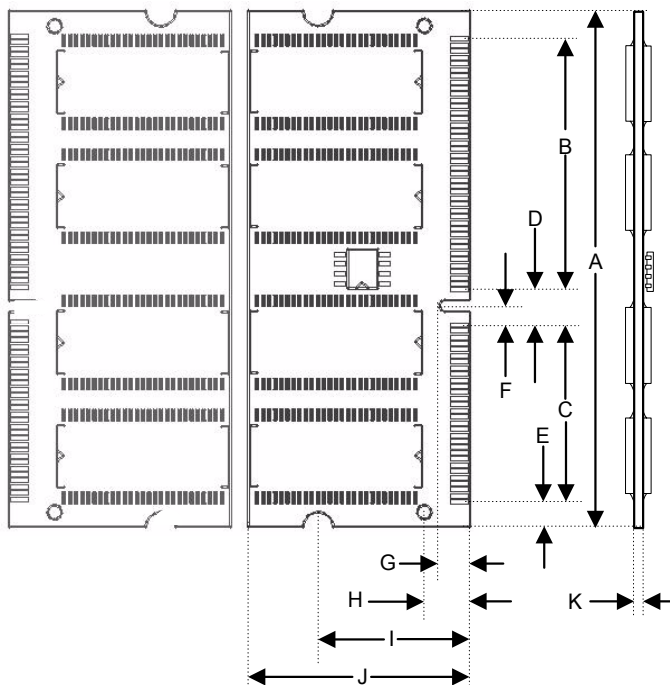
Pin Identification

Symbol	Function
A0~A12	Address inputs
BA0, BA1	Select Bank
DQ0~DQ63	Data inputs/outputs
CLK0, CLK1	Clock Input
CKE0	Clock Enable Input
/CS0	Chip Select Input
/RAS	Row address strobe
/CAS	Column address strobe
/WE	Write Enable
DQM0~7	DQM
Vcc	Power Supply
Vss	Ground
SDA	Serial Address / Data I/O
SCL	Serial Clock
NC	No Connection

TS32MSS64V6F

144PIN PC133 Unbuffered SO-DIMM
256MB With 32M X 8 CL3

Dimensions



PCB: 09-6857

Side	Millimeters	Inches
A	67.60 ± 0.200	2.661 ± 0.008
B	32.80	1.291
C	23.20	0.913
D	4.60	0.181
E	3.30	0.130
F	2.50	0.098
G	4.00	0.157
H	6.00	0.236
I	20.00	0.787
J	29.21 ± 0.200	1.150 ± 0.008
K	1.00 ± 0.100	0.039 ± 0.004

TS32MSS64V6F

144PIN PC133 Unbuffered SO-DIMM
256MB With 32M X 8 CL3

Pinouts

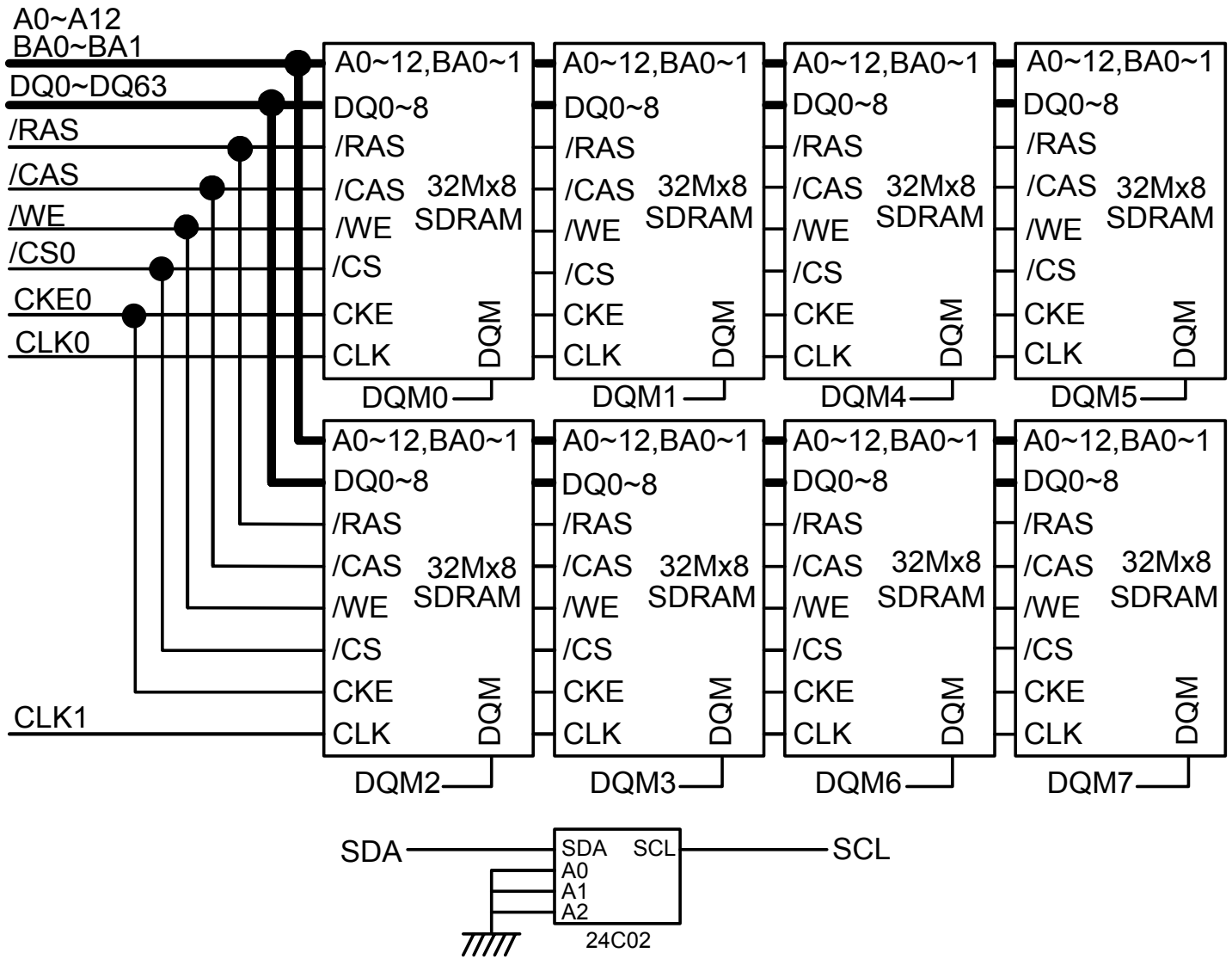
Pin No	Pin Name	Pin No	Pin Name	Pin No	Pin Name	Pin No	Pin Name	Pin No	Pin Name	Pin No	Pin Name
01	Vss	49	DQ13	97	DQ22	02	Vss	50	DQ45	98	DQ54
03	DQ0	51	DQ14	99	DQ23	04	DQ32	52	DQ46	100	DQ55
05	DQ1	53	DQ15	101	Vcc	06	DQ33	54	DQ47	102	Vcc
07	DQ2	55	Vss	103	A6	08	DQ34	56	Vss	104	A7
09	DQ3	57	*CB0	105	A8	10	DQ35	58	*CB4	106	BA0
11	Vcc	59	*CB1	107	Vss	12	Vcc	60	*CB5	108	Vss
13	DQ4	61	CLK0	109	A9	14	DQ36	62	CKE0	110	*BA1
15	DQ5	63	Vcc	111	A10	16	DQ37	64	Vcc	112	*A11
17	DQ6	65	/RAS	113	Vcc	18	DQ38	66	/CAS	114	Vcc
19	DQ7	67	/WE	115	DQM2	20	DQ39	68	*CKE1	116	DQM6
21	Vss	69	/CS0	117	DQM3	22	Vss	70	*A12	118	DQM7
23	DQM0	71	*/CS1	119	Vss	24	DQM4	72	*A13	120	Vss
25	DQM1	73	NC	121	DQ24	26	DQM5	74	*CLK1	122	DQ56
27	Vcc	75	Vss	123	DQ25	28	Vcc	76	Vss	124	DQ57
29	A0	77	*CB2	125	DQ26	30	A3	78	*CB6	126	DQ58
31	A1	79	*CB3	127	DQ27	32	A4	80	*CB7	128	DQ59
33	A2	81	Vcc	129	Vcc	34	A5	82	Vcc	130	Vcc
35	Vss	83	DQ16	131	DQ28	36	Vss	84	DQ48	132	DQ60
37	DQ8	85	DQ17	133	DQ29	38	DQ40	86	DQ49	134	DQ61
39	DQ9	87	DQ18	135	DQ30	40	DQ41	88	DQ50	136	DQ62
41	DQ10	89	DQ19	137	DQ31	42	DQ42	90	DQ51	138	DQ63
43	DQ11	91	Vss	139	Vss	44	DQ43	92	Vss	140	Vss
45	Vcc	93	DQ20	141	SDA	46	Vcc	94	DQ52	142	SCL
47	DQ12	95	DQ21	143	Vcc	48	DQ44	96	DQ53	144	Vcc

* Please refer Block Diagram

TS32MSS64V6F

144PIN PC133 Unbuffered SO-DIMM
256MB With 32M X 8 CL3

Block Diagram



This technical information is based on industry standard data and tests believed to be reliable. However, Transcend makes no warranties, either expressed or implied, as to its accuracy and assume no liability in connection with the use of this product. Transcend reserves the right to make changes in specifications at any time without prior notice.

ABSOLUTE MAXIMUM RATINGS

Parameter	Symbol	Value	Unit
Voltage on any pin relative to Vss	V _{IN} , V _{OUT}	-1.0~4.6	V
Voltage on VDD supply relative to Vss	VDD, VDDQ	-1.0~4.6	V
Storage temperature	T _{STG}	-55~+150	°C
Power dissipation	PD	8	W
Short circuit current	I _{OS}	50	mA
Operating Temperature	T _A	0 ~ 70	°C

Note: Permanent device damage may occur if ABSOLUTE MAXIMUM RATINGS are exceeded.
Functional operation should be restricted to recommended operating condition.
Exposure to higher than recommended voltage for extended periods of time could affect device reliability.

DC OPERATING CONDITIONS AND CHARACTERISTICS

Recommended operating conditions (Voltage referenced to Vss = 0V, T_A = 0 to 70 °C)

Parameter	Symbol	Min	Typ	Max	Unit	Note
Supply voltage	VDD	3.0	3.3	3.6	V	
Input high voltage	V _{IH}	2.0	3.0	VDD+0.3	V	1
Input low voltage	V _{IL}	-0.3	0	0.8	V	2
Output high voltage	V _{OH}	2.4	-	-	V	I _{OH} = -2mA
Output low voltage	V _{OL}	-	-	0.4	V	I _{OL} = 2mA
Input leakage current	I _{LI}	-10	-	10	uA	3

Note: 1. V_{IH} (max) = 5.6V AC. The overshoot voltage duration is ≤ 3ns.
2. V_{IL} (min) = -2.0V AC. The undershoot voltage duration is ≤ 3ns.
3. Any input 0V ≤ V_{in} ≤ VDDQ
Input leakage currents include Hi-Z output leakage for all bi-directional buffers with Tri-state output.

CAPACITANCE (VDD = 3.3V, T_A = 23°C, f = 1MHz, VREF = 1.4V ± 200mV)

Parameter	Symbol	Min	Max	Unit
Input capacitance (A0~A12, BA0~BA1)	C _{IN1}	25	45	pF
Input capacitance (/RAS, /CAS, /WE)	C _{IN2}	25	45	pF
Input capacitance (CKE0)	C _{IN3}	25	45	pF
Input capacitance (CLK0~CLK1)	C _{IN4}	15	21	pF
Input capacitance (/CS0)	C _{IN5}	25	45	pF
Input capacitance (DQM0~DQM7)	C _{IN6}	10	12	pF
Data input/output capacitance (DQ0~DQ63)	C _{OUT}	10	12	pF

DC CHARACTERISTICS

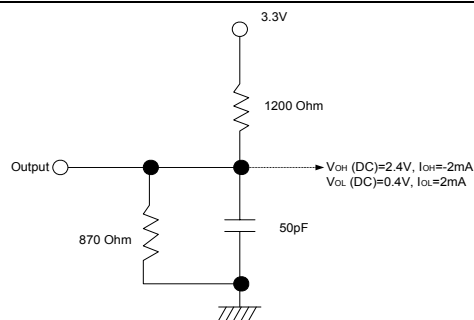
(Recommended operating condition unless otherwise noted, TA = 0 to 70°C)

Parameter	Symbol	Test Condition	Value	Unit	Note
Operating Current (One Bank Active)	ICC1	Burst Length =1 tRC≥tRC(min) IOL=0mA	960	mA	1
Precharge Standby Current in power-down mode	ICC2P	CKE≤VIL(max), tCC=10ns	16	mA	
	ICC2PS	CKE & CLK≤VIL(max), tCC=∞	16		
Precharge Standby Current in non power-down mode	ICC2N	CKE≥VIH(min), /CS≥VIH(min), tCC=10ns Input signals are changed one time during 20ns	128	mA	
	ICC2NS	CKE≥VIH(min), CLK≤VIL(max), tCC=∞ Input signals are stable	112		
Active Standby Current in power-down mode	ICC3P	CKE≤VIL(max), tCC=10ns	48	mA	
	ICC3PS	CKE & CLK≤VIL(max), tCC=∞	48		
Active Standby Current in non power-down mode (One Bank Active)	ICC3N	CKE≥VIH(min), /CS≥VIH(min), tCC=10ns Input signals are changed one time during 20ns	240	mA	
	ICC3NS	CKE≥VIH(min), CLK≤VIL(max), tCC=∞ Input signals are stable	200		
Operating Current (Burst Mode)	ICC4	IOL= 0 mA Page Burst tCCD = 2CLKs	1120	mA	1
Refresh current	ICC5	tRC ≥ tRC(min)	1680	mA	2
Self Refresh Current	ICC6	CKE≤0.2V	40	mA	

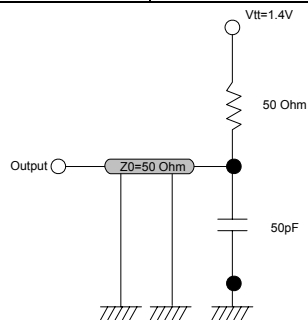
Note: Module IDD was calculated on the basis of component IDD and can be differently measured according to DQ loading cap.

AC OPERATING TEST CONDITIONS ($V_{DD} = 3.3V \pm 0.3V$, $T_A = 0$ to $70^\circ C$)

Parameter	Value	Unit
AC Input levels (V_{IH}/V_{IL})	2.4/0.4	V
Input timing measurement reference level	1.4	V
Input rise and fall time	$t_r/t_f=1/1$	ns
Output timing measurement reference level	1.4	V
Output load condition	See Fig. 2	



(Fig. 1) DC Output Load Circuit



(Fig. 2) AC Output Load Circuit

OPERATING AC PARAMETER (AC operating conditions unless otherwise noted)

Parameter	Symbol	Value	Unit	Note
Row active to row active delay	$t_{RRD}(\min)$	15	ns	1
/RAS to /CAS delay	$t_{RCD}(\min)$	20	ns	1
Row precharge time	$t_{RP}(\min)$	20	ns	1
Row active time	$t_{RAS}(\min)$	45	ns	1
	$t_{RAS}(\max)$	100	us	
Row cycle time	@Operation $t_{RC}(\min)$	65	ns	1
Last data in to new col. address delay	$t_{CDL}(\min)$	1	CLK	2
Last data in to row precharge	$t_{RDL}(\min)$	2	CLK	2
Last data in to burst stop	$t_{BDL}(\min)$	1	CLK	2
Col. address to col. address delay	$t_{CCD}(\min)$	1	CLK	3
Number of valid output data		2	ea	4

- Note:**
1. The minimum number of clock cycles is determined by dividing the minimum time required with clock cycle time, and then rounding off to the next higher integer.
 2. Minimum delay is required to complete write.
 3. All parts allow every cycle column address change.
 4. In case of row precharge interrupt, auto precharge and read burst stop.

TS32MSS64V6F

144PIN PC133 Unbuffered SO-DIMM
256MB With 32M X 8 CL3

AC CHARACTERISTICS (AC operating conditions unless otherwise noted)

Refer to the individual component, not the whole module.

Parameter	Symbol	Value		Unit	Note
		Min	Max		
CLK cycle time	tCC	7.5	1000	ns	1
CLK to valid output delay	tSAC		5.4	ns	1, 2
Output data hold time	tOH	3.0		ns	2
CLK high pulse width	tCH	2.5		ns	3
CLK low pulse width	tCL	2.5		ns	3
Input setup time	tSS	1.5		ns	3
Input hold time	tSH	0.8		ns	3
CLK to output in Low-Z	tSLZ	1		ns	2
CLK to output in Hi-Z	tSHZ		5.4	ns	

Note:

- Parameters depend on programmed CAS latency.
- If clock rising time is longer than 1ns, $(tr/2-0.5)$ ns should be added to the parameter.
- Assumed input rise and fall time (tr & tf)= 1ns.
If tr & tf is longer than 1ns, transient time compensation should be considered, i.e., $[(tr + tf)/2-1]$ ns should be added to the parameter.

SIMPLIFIED TRUTH TABLE

COMMAND		CKEn-1	CKEn	/CS	/RAS	/CAS	/WE	DQM	BA _{0,1}	A _{10/AP}	A _{0~A9,A11,A12}	Note
Register	Mode Register Set	H	X	L	L	L	L	X	OP CODE			1,2
Refresh	Auto Refresh	H	H	L	L	L	H	X	X	X	X	3
	Self Refresh		Entry									L
		Exit	L	H	L	H	H	X	3			
			L	H	H	X	X	X	X	3		
Bank Active & Row Addr.		H	X	L	L	H	H	X	V	Row Address		
Read & Column Address	Auto Precharge Disable	H	X	L	H	L	H	X	V	L	Column Address (A _{0~A9})	4
	Auto Precharge Enable									H		4, 5
Write & Column Address	Auto Precharge Disable	H	X	L	H	L	L	X	V	L	Column Address (A _{0~A9})	4
	Auto Precharge Enable									H		4, 5
Burst Stop		H	X	L	H	H	L	X	X			6
Precharge	Bank Selection	H	X	L	L	H	L	X	V	L	X	
	Both Banks								X	H		
Clock Suspend or Active Power Down	Entry	H	L	H	X	X	X	X	X	X	X	
				L	V	V	V					
Precharge Power Down Mode	Entry	H	L	H	X	X	X	X	X	X	X	
				L	H	H	H					
	Exit	L	H	H	X	X	X	X	X	X	X	
				L	V	V	V					
DQM		H	X					V	X			7
No Operation Command		H	X	H	X	X	X	X	X	X	X	
				L	H	H	H					

(V=Valid, X=Don't Care, H=Logic High, L=Logic Low)

Note:

- OP Code : Operand Code
A_{0~A12}, BA_{0~BA1} : Program keys. (@MRS)
- MRS can be issued only at all banks precharge state.
A new command can be issued after 2 CLK cycles of MRS.
- Auto refresh functions are as same as CBR refresh of DRAM.
The automatical precharge without row precharge command is meant by "Auto".
Auto/self refresh can be issued only at all banks precharge state.
- BA_{0~BA1}: Bank select address.
If both BA₀ and BA₁ are "Low" at read, write, row active and precharge, bank A is selected.
If both BA₀ is "Low" and BA₁ is "High" at read, write, row active and precharge, bank B is selected.
If both BA₀ is "High" and BA₁ is "Low" at read, write, row active and precharge, bank C is selected.
If both BA₀ and BA₁ are "High" at read, write, row active and precharge, bank D is selected.
If A_{10/AP} is "High" at row precharge, BA₀ and BA₁ is ignored and all banks are selected.
- During burst read or write with auto precharge, new read/write command can not be issued.
Another bank read/write command can be issued after the end of burst.
New row active of the associated bank can be issued at tRP after the end of burst.
- Burst stop command is valid at every burst length.
- DQM sampled at positive going edged of a CLK masks the data-in at the very CLK (Write DQM latency is 0), but makes Hi-Z state the data-out of 2 CLK cycles after. (Read DQM latency is 2)

TS32MSS64V6F

144PIN PC133 Unbuffered SO-DIMM
256MB With 32M X 8 CL3

Serial Presence Detect Specification

Serial Presence Detect			
Byte No.	Function Described	Standard Specification	Vendor Part
0	# of Bytes Written into Serial Memory	128bytes	80
1	Total # of Bytes of S.P.D Memory	256bytes	08
2	Fundamental Memory Type	SDRAM	04
3	# of Row Addresses on this Assembly	A0~A12	0D
4	# of Column Addresses on this Assembly	A0~A9	0A
5	# of Module Banks on this Assembly	1 banks	01
6	Data Width of this Assembly	64bits	40
7	Data Width Continuation	0	00
8	Voltage Interface Standard of this Assembly	LVTTL3.3V	01
9	SDRAM Cycle Time (highest CAS latency)	7.5ns	75
10	SDRAM Access from Clock (highest CL)	5.4ns	54
11	DIMM configuration type (non-parity, ECC)	DIMM	00
12	Refresh Rate Type	7.8us/Self Refresh	82
13	Primary SDRAM Width	X8	08
14	Error Checking SDRAM Width	0	00
15	Min Clock Delay Back to Back Random Address	1 clock	01
16	Burst Lengths Supported	1,2,4,8 & Full page	8F
17	Number of banks on each SDRAM device	4 bank	04
18	CAS # Latency	CL2 & CL3	06
19	CS # Latency	0 clock	01
20	Write Latency	0 clock	01
21	SDRAM Module Attributes	Non Buffer	00
22	SDRAM Device Attributes : General	Prec All, Auto Prec, R/W Burst	0E
23	SDRAM Cycle Time (2 nd highest CL)	10ns	A0
24	SDRAM Access from Clock (2 nd highest CL)	6ns	60
25	SDRAM Cycle Time (3 rd highest CL)	-	00
26	SDRAM Access from Clock (3 rd highest CL)	-	00
27	Minimum Row Precharge Time	20ns	14
28	Minimum Row Active to Row Activate	15ns	0F
29	Minimum RAS to CAS Delay	20ns	14
30	Minimum RAS Pulse Width	45ns	2D
31	Density of Each Bank on Module	256MB	40
32	Command/Address Setup Time	1.5ns	15
33	Command/Address Hold Time	0.8ns	08
34	Data Signal Setup Time	1.5ns	15
35	Data Signal Hold Time	0.8ns	08
36-61	Superset Information	-	00

TS32MSS64V6F

144PIN PC133 Unbuffered SO-DIMM
256MB With 32M X 8 CL3

62	SPD Data Revision Code	VER1.2	12					
63	Checksum for Bytes 0-62	D2	D2					
64-71	Manufacturers JEDEC ID Code per JEP-108E	Transcend	7F, 4F					
72	Manufacturing Location	T	54					
73-90	Manufacturers Part Number	TS32MSS64V6F	54	53	33	32	4D	53
			53	36	34	56	36	46
			20	20	20	20	20	20
91-92	Revision Code	-	0					
93-94	Manufacturing Date	By Manufacturer	Variable					
95-98	Assembly Serial Number	By Manufacturer	Variable					
99-125	Manufacturer Specific Data	-	0					
126	Intel Specification Frequency	-	64					
127	Intel Specification CAS# Latency/Clock Signal Support	CL2 & CL=3 Clock=0,1	C6					
128~	Unused Storage Locations	Open	FF					