

FEATURES

- High Slew Rate: 10 V/ μ s Min
- Fast Settling Time: 0.9 μ s to 0.1% Type
- Low Input Offset Voltage Drift: 10 μ V/ $^{\circ}$ C Max
- Wide Bandwidth: 3.5 MHz Min
- Temperature-Compensated Input Bias Currents
- Guaranteed Input Bias Current: 18 nA Max (125 $^{\circ}$ C)
- Bias Current Specified Warmed Up over Temperature
- Low Input Noise Current: 0.01 pA/ $\sqrt{\text{Hz}}$ Type
- High Common-Mode Rejection Ratio 86 dB Min
- Pin Compatible with Standard Dual Pinouts
- Models with MIL-STD-883 Class B Processing Available

GENERAL DESCRIPTION

The OP215 offers the proven JFET-input performance advantages of high speed and low input bias current with the tracking and convenience advantages of a dual op amp configuration.

Low input offset voltages, low input currents, and low drift are featured in these high-speed amplifiers.

On-chip zener-zap trimming is used to achieve low V_{OS} , while a bias-current compensation scheme gives a low input bias current

at elevated temperature. Thus, the OP215 features an input bias current of 1.4 nA at 70 $^{\circ}$ C ambient (not junction) temperature which greatly extends the application usefulness of this device.

Applications include high-speed amplifiers for current output DACs, active filters, sample-and-hold buffers, and photocell amplifiers. For additional precision JFET op amps, see the OP249 and AD712 data sheets.

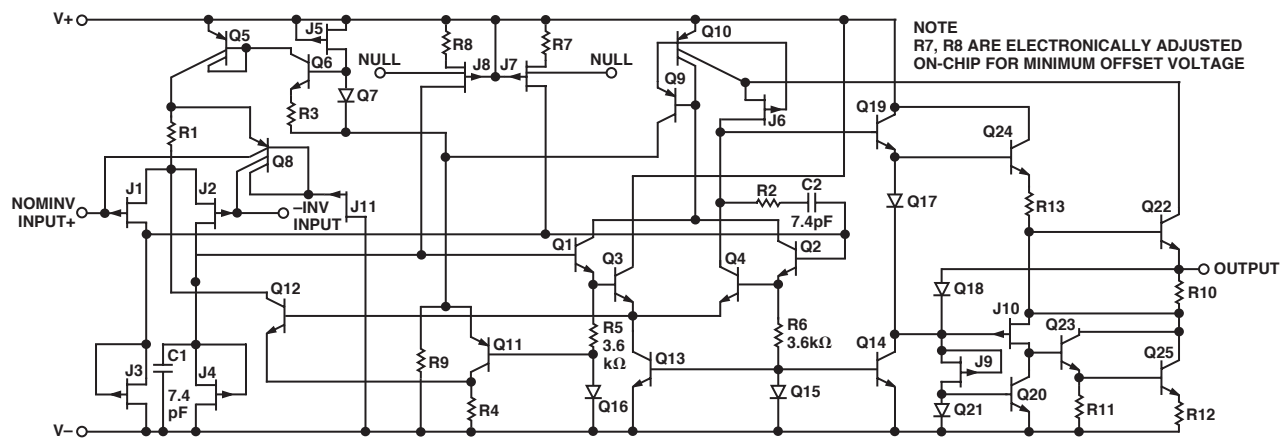


Figure 1. Simplified Schematic (1/2 OP215)

REV. A

Information furnished by Analog Devices is believed to be accurate and reliable. However, no responsibility is assumed by Analog Devices for its use, nor for any infringements of patents or other rights of third parties that may result from its use. No license is granted by implication or otherwise under any patent or patent rights of Analog Devices.

One Technology Way, P.O. Box 9106, Norwood, MA 02062-9106, U.S.A.
 Tel: 781/329-4700 www.analog.com
 Fax: 781/326-8703 © Analog Devices, Inc., 2002

OP215–SPECIFICATIONS

ELECTRICAL CHARACTERISTICS (at $V_S = \pm 15\text{ V}$, $T_A = 25^\circ\text{C}$, unless otherwise noted.)

Parameter	Symbol	Conditions	OP215E			OP215G			Unit
			Min	Type	Max	Min	Type	Max	
Input Offset Voltage	V_{OS}	$R_S = 50\ \Omega$ 'G' Grade		0.2	1.0		2.0 2.5	4.0 6.0	mV mV
Input Offset Current ¹	I_{OS}	$T_j = 25^\circ\text{C}$ Device Operating		3 5	50 100		3 5	100 200	pA pA
Input Bias Current ¹	I_B	$T_j = 25^\circ\text{C}$ Device Operating		± 15 ± 18	± 100 ± 300		± 15 ± 18	± 300 ± 600	pA pA
Input Resistance	R_{IN}			$10^{1,2}$			$10^{1,2}$		Ω
Large-Signal Voltage Gain	A_{VO}	$R_L \geq 2\ \text{k}\Omega$, $V_O = \pm 10\ \text{V}$	150	500		50	200		V/mV
Output Voltage Swing	V_O	$R_L = 10\ \text{k}\Omega$ $R_L = 2\ \text{k}\Omega$	± 12 ± 11	± 13 ± 12.7		± 12 ± 11	± 13 ± 12.7		V V
Supply Current	I_{SY}	'G' Grade		6.0	8.5		7.0 7.0	10.0 12.0	mA mA
Slew Rate	SR	$A_{VCL} = 1$	10	18		5	15		V/ μs
Gain Bandwidth Product ³	GBW		3.5	5.7		3.0	5.4		MHz
Closed-Loop Bandwidth	CLBW	$A_{VCL} = 1$		13			12		MHz
Setting Time	t_s	$T_O 0.01\%$ $T_O 0.05\%^2$ $T_O 0.10\%$		2.3 1.1 0.9			2.4 1.2 1.0		μs μs μs
Input Voltage Range	IVR		10.2 -10.2	14.8 -11.5		10.1 -10.1	14.8 -11.5		V V
Common-Mode Rejection Ratio	CMRR	$V_{CM} = \pm\text{IVR}$ E, G Grades	82	100		80	96		dB
Power Supply Rejection Ratio	PSRR	$V_S = \pm 10\ \text{V}$ to $\pm 16\ \text{V}$ $V_S = \pm 10\ \text{V}$ to $\pm 15\ \text{V}$		10	51		16	100	$\mu\text{V}/\text{V}$ $\mu\text{V}/\text{V}$
Input Noise Voltage Density	θ_n	$f_O = 100\ \text{Hz}$ $f_O = 1,000\ \text{Hz}$		20 15			20 15		$\text{nV}/\sqrt{\text{Hz}}$ $\text{nV}/\sqrt{\text{Hz}}$
Input Noise Current Density	I_n	$f_O = 100\ \text{Hz}$ $f_O = 1,000\ \text{Hz}$		0.01 0.01			0.01 0.01		$\text{pA}/\sqrt{\text{Hz}}$ $\text{pA}/\sqrt{\text{Hz}}$
Input Capacitance	C_{IN}			3			3		pF

NOTES

¹Input bias current is specified for two different conditions. The $T_j = 25^\circ\text{C}$ specification is with the junction at ambient temperature; the device operating specification is with the device operating in a warmed up condition at 25°C ambient. The warmed up bias-current value is correlated to the junction temperature value via the curves of I_S versus T_j and I_S versus T_A . PMI has a bias-current compensation circuit that gives improved bias current and bias current over temperature versus standard JFET input op amps. I_S and I_{OS} are measured at $V_{CM} = 0$.

²Setting time is defined here for a unity gain inverter connection using $2\ \text{k}\Omega$ resistors. It is the time required for the error voltage (the voltage at the inverting input pin on the amplifier) to settle to within a specified percent of its final value from the time a $10\ \text{V}$ step input is applied to the inverter. See setting time test circuit.

³Sample tested.

Specifications are subject to change without notice.

SPECIFICATIONS

ELECTRICAL CHARACTERISTICS (at $V_S = \pm 15\text{ V}$, $0^\circ\text{C} \leq T_A \leq 70^\circ\text{C}$ for E Grade, $-40^\circ\text{C} \leq T_A \leq +85^\circ\text{C}$ for G Grade, unless otherwise noted.)

Parameter	Symbol	Conditions	OP215E			OP215G			Unit
			Min	Type	Max	Min	Type	Max	
Input Offset Voltage	V_{OS}	$R_S = 50\ \Omega$	0.4		1.65	3.5		8.0	mV
Average Input Offset Voltage Drift Without External Trim ¹	TCV_{OS}	$R_P = 100\ \text{k}\Omega$		3	15		6		$\mu\text{V}/^\circ\text{C}$
With External Trim				3		4			$\mu\text{V}/^\circ\text{C}$
Input Offset Current ²	I_{OS}	$T_j = 70^\circ\text{C}$ $T_A = 70^\circ\text{C}$ Device Operating	0.06		0.45	0.08		0.65	nA
			0.08		0.80	0.10		1.2	nA
Input Bias Current ²	I_S	$T_j = 70^\circ\text{C}$ $T_A = 70^\circ\text{C}$ Device Operating	± 0.12		± 0.70	± 0.14		± 0.9	nA
			± 0.16		± 1.40	± 0.19		± 1.8	nA
Input Voltage Range	IVR		10.2	14.7		10.1	14.7		V
			-10.2	-11.4		-10.1	-11.3		V
Common-Mode Rejection Ratio	CMRR	$V_{CM} = \pm\text{IVR}$	80	98		76	94		dB
Power Supply Rejection Ratio	PSRR	$V_S = \pm 10\ \text{V}$ to $\pm 16\ \text{V}$ $V_S = \pm 10\ \text{V}$ to $\pm 15\ \text{V}$		13	100		20	159	$\mu\text{V}/\text{V}$
Large-Signal Voltage Gain	A_{VO}	$R_L \geq 2\ \text{k}\Omega$ $V_O = \pm 10\ \text{V}$	50	180		35	130		V/mV
Output Voltage Swing	V_O	$R_L \geq 10\ \text{k}\Omega$	± 12	± 13		± 12	± 13		V

NOTES

¹Sample tested.

²Input bias current is specified for two different conditions. The $T_j = 25^\circ\text{C}$ specification is with the junction at ambient temperature; the Device Operating specification is with the device operating in a warmed up condition at 25°C ambient. The warmed up bias-current value is correlated to the junction temperature value via the curves of I_S versus T_j and I_S versus T_A . PMI has a bias-current compensation circuit that gives improved bias current and bias current over temperature versus standard JFET input op amps. I_S and I_{OS} are measured at $V_{CM} = 0$.

Specifications are subject to change without notice.

OP215

ABSOLUTE MAXIMUM RATINGS¹

Supply Voltage	
OP215E, OP215G	±18 V
Operating Temperature Range	
OP215E	+0°C to +70°C
OP215G	-40°C to +85°C
Maximum Junction Temperature (T _j)	150°C
Differential Input Voltage	
OP215E	±40 V
OP215G	±30 V
Input Voltage ²	
OP215E	±20 V
OP215G	±16 V
Output Short-Circuit Duration	Indefinite
Storage Temperature Range	-65°C to +150°C
Lead Temperature (Soldering, 60 sec)	300°C
Junction Temperature (T _j)	-65°C to +150°C

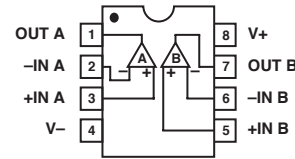
NOTES

- ¹Absolute maximum ratings apply to packaged parts, unless otherwise noted.
²Unless otherwise specified, the absolute maximum negative input voltage is equal to one volt more positive than the negative power supply voltage.

Package Type	θ _{JA} *	θ _{JC}	Unit
8-Lead Hermetic DIP (Z)	134	12	°C/W
8-Lead Plastic DIP (P)	96	37	°C/W

*θ_{JA} is specified for worst-case mounting conditions, i.e., θ_{JA} is specified for device in socket for CerDIP and P-DIP packages.

PIN CONFIGURATION



ORDERING INFORMATION¹

Model	Package Type	Temperature Range	T _A = 25°C, V _{OS} Max (mV)
OP215EZ ²	8-Lead CerDIP	COM	1.0
OP215GP ²	8-Lead Plastic DIP	XIND	6.0

For military processed devices, please refer to the standard microcircuit drawing (SMD) available at www.dscc.dla.mil/programs/milspec/default.asp

SMD Part Number	ADI Equivalent
5962-8853801GA ²	OP215AJMDA
5962-8853801PA	OP215AZMDA
5962-8838032A ²	OP215BRCMDA

NOTES

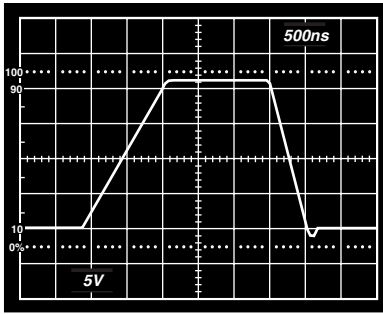
- ¹Burn-in is available on commercial and industrial temperature range parts in CerDIP and plastic DIP packages.
²Not for new design, obsolete April 2002.

CAUTION

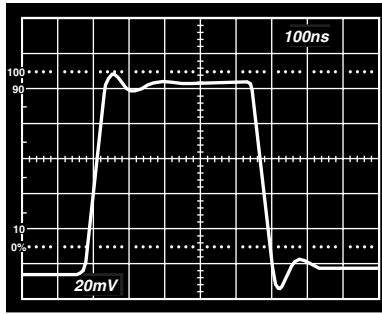
ESD (electrostatic discharge) sensitive device. Electrostatic charges as high as 4000 V readily accumulate on the human body and test equipment and can discharge without detection. Although the OP215 features proprietary ESD protection circuitry, permanent damage may occur on devices subjected to high-energy electrostatic discharges. Therefore, proper ESD precautions are recommended to avoid performance degradation or loss of functionality.



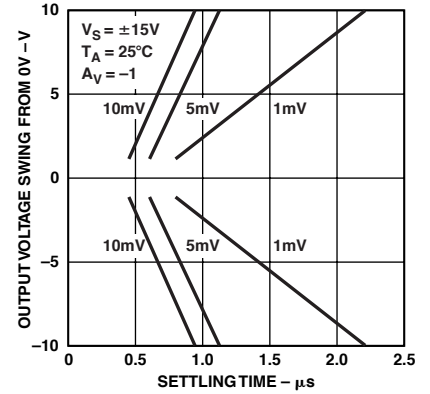
Typical Performance Characteristics—OP215



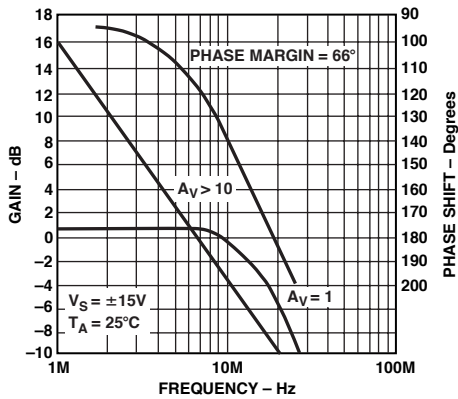
TPC 1. Large-Signal Transient Response



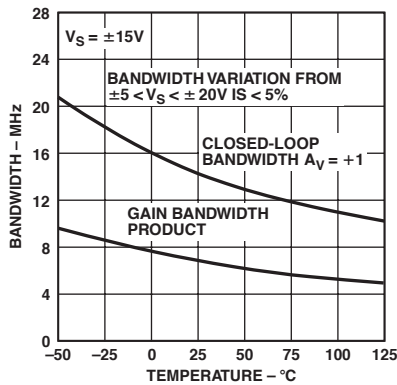
TPC 2. Small-Signal Transient Response



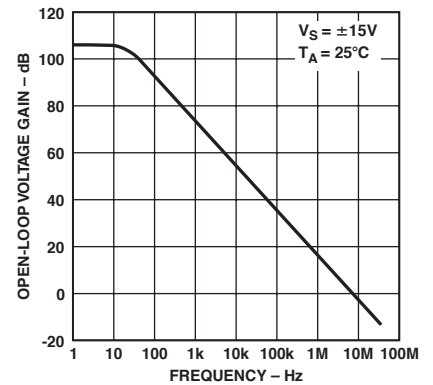
TPC 3. Settling Time



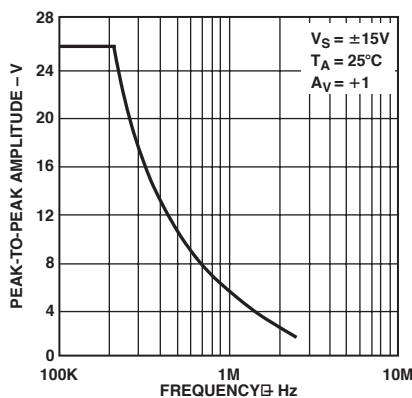
TPC 4. Closed-Loop Bandwidth and Phase Shift vs. Frequency



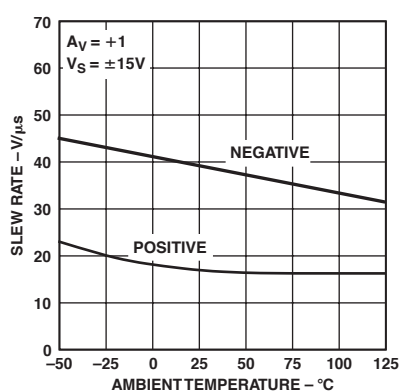
TPC 5. Bandwidth vs. Temperature



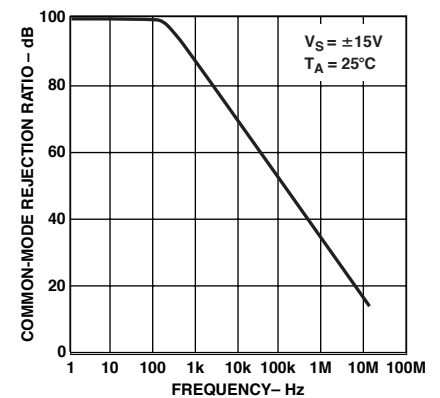
TPC 6. Open-Loop Frequency Response



TPC 7. Maximum Output Swing vs. Frequency

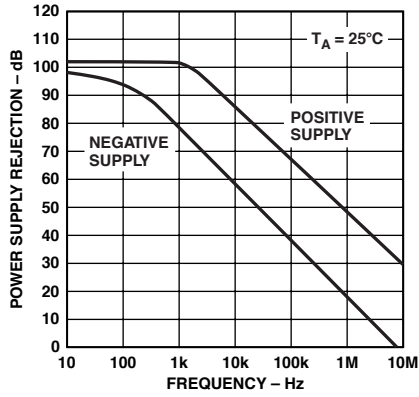


TPC 8. Slew Rate vs. Temperature

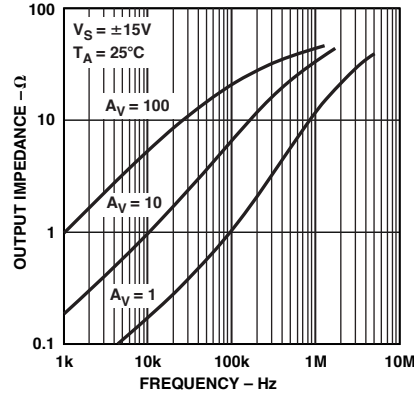


TPC 9. Common-Mode Rejection Ratio vs. Frequency

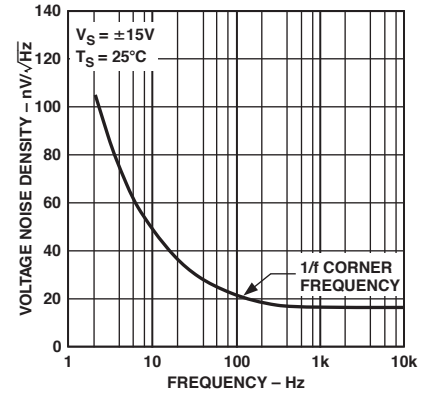
OP215



TPC 10. Power Supply Rejection vs. Frequency



TPC 11. Output Impedance vs. Frequency



TPC 12. Voltage Noise Density vs. Frequency

BASIC CONNECTIONS

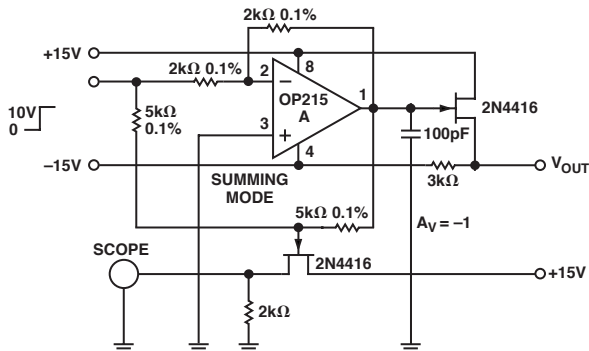
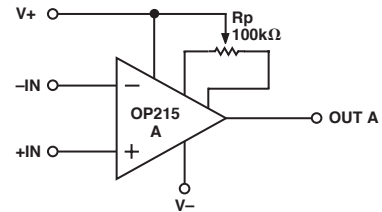


Figure 2. Settling Time Test Circuit



NOTE
 V_{OS} CAN BE TRIMMED WITH POTENTIOMETERS RANGING FROM 10 k Ω TO 1 M Ω . FOR MOST UNITS TCV $_{OS}$ WILL BE MINIMUM WHEN V_{OS} IS ADJUSTED WITH A 100k Ω POTENTIOMETER.

Figure 4. Input Offset Voltage Nulling

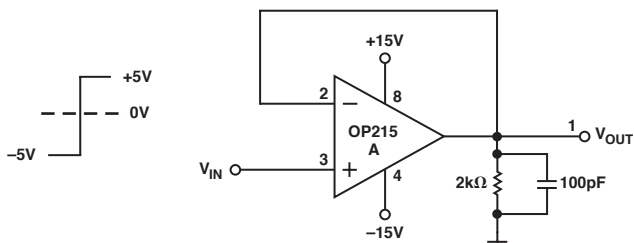


Figure 3. Slew Rate Test Circuit

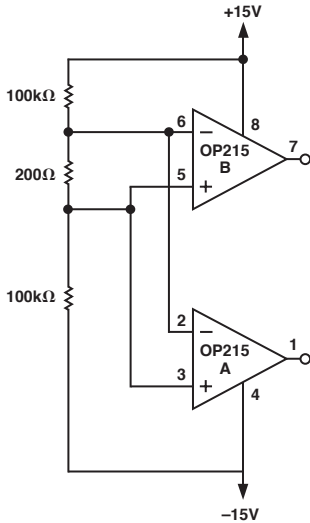
APPLICATIONS INFORMATION

Dynamic Operating Considerations

As with most amplifiers, care should be taken with lead dress, component placement, and supply de-coupling in order to ensure stability. For example, resistors from the output to an input should be placed with the body close to the input to minimize “pick up” and maximize the frequency of the feedback pole by minimizing the capacitance from the input to ground.

A feedback pole is created when the feedback around any amplifier is resistive. The parallel resistance and capacitance from the input of the device (usually the inverting input) to ac ground sets the frequency of the pole. In many instances, the frequency of this pole is much greater than the expected 3 dB frequency of the closed-loop gain and, consequently, there is negligible effect on stability margin. However, if the feedback pole is less than approximately six times the expected 3 dB frequency, a lead capacitor should be placed from the output to the negative input of the op amp. The value of the added capacitor should be such that the RC time constant of this capacitor and the resistance it parallels is greater than, or equal to, the original feedback pole time constant.

BASIC CONNECTIONS



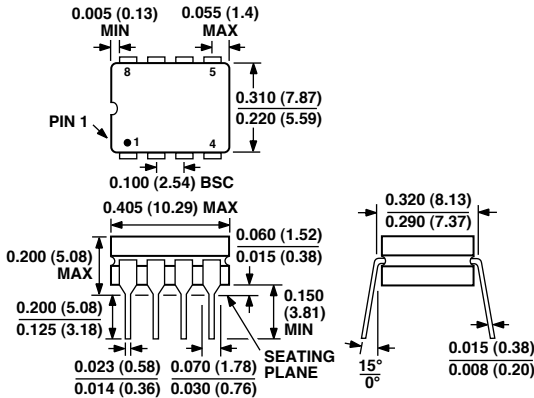
- NOTES**
 1. $T_A = 125^{\circ}\text{C TO } 150^{\circ}\text{C}$
 2. RESISTORS ARE TYPE RN55D, $\pm 1\%$

Figure 5. Burn-In Circuit

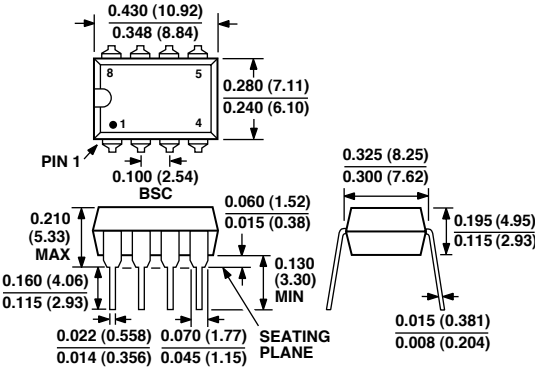
OUTLINE DIMENSIONS

Dimensions shown in inches and (mm).

8-Lead CERDIP (Z-Suffix)



8-Lead Plastic DIP (P-Suffix)



OP215

Revision History

Location	Page
Data Sheet changed from REV. 0 to REV. A.	
Edits to GENERAL DESCRIPTION	1
Edits to ELECTRICAL CHARACTERISTICS	2, 3
Edits to ORDERING INFORMATION	4
Edits to PIN CONNECTIONS	4
Edits to ABSOLUTE MAXIMUM RATINGS	4
Edits to PACKAGE TYPE	4
Deleted WAFER TEST LIMITS	4
Deleted DICE CHARACTERISTICS	4
Deleted TYPICAL ELECTRICAL CHARACTERISTICS	4
Edits to BURN-IN CIRCUIT figure	7

C02683-0-4/02(A)

PRINTED IN U.S.A.