

Under Development

Boot Strap System Chopper Regulator

[PQ1CX12H2ZP]

Features

- High efficiency: TYP 87 %
(Compare to conventional model: 5 % up)
- Low dissipation current : I_{OS} = MAX 7mA
(Compare to conventional model: 56% down)
- Compact package: SOP8 -pin (Outline dimension: 5.2 × 6.2 × 1.5 mm)
Compare to SC -63 package (Mounting area): 49 % down
Compare to TO -263 package (Mounting area): 77 % down

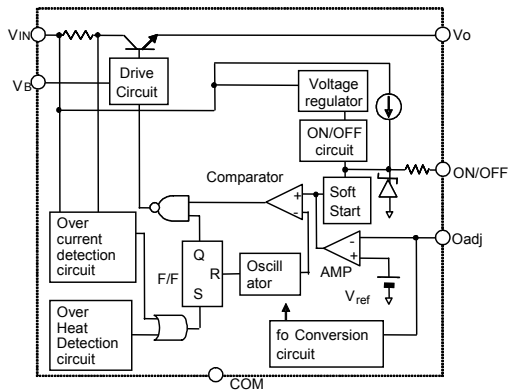
Expansion of Chopper Regulator

System	General purpose type	Boot strap system
Model No.	PQ1CY1032ZP/ZZ	PQ1CX12H2ZP
Efficiency	TYP 82% (12V → 5V, 2A)	TYP 87% (12V → 5V, 2A)
	TYP 75% (5V → 3.3V, 2A)	TYP 85% (5V → 3.3V, 2A)
SW current (MAX)	3.5 A	2.5 A
Input voltage	4.5 to 40 V	4.5 to 20 V
Package	TO-263 type 5-pin	SOP8-pin
Outline dimension	10.6 × 13.7 × 3.5 mm	5.2 × 6.2 × 1.5 mm

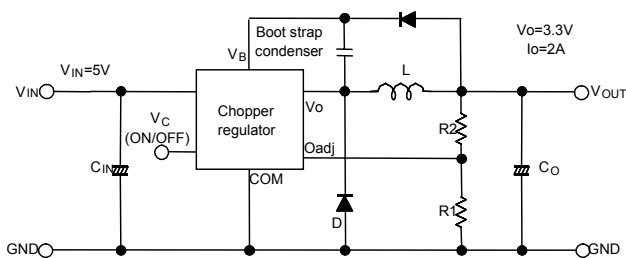
Specifications

Parameter	Symbol	Characteristics	Conditions
Input voltage	V_{IN}	MAX 20 V	
Output saturation voltage	V_{SAT}	TYP 0.3 V	I_{SW} = 2.0 A
Switching current	I_{SW}	MAX 2.5 A	
Output OFF -state dissipation current	I_{OS}	MAX 7 mA	V_{IN} = 20 V
Stand-by current	I_{SD}	MAX 400 μ A	V_{IN} = 20 V
Reference voltage	V_{ref}	TYP 1.26 V	
Oscillation frequency	f_{OSC}	TYP 150 kHz	
Efficiency	η	TYP 87%	V_{IN} = 12V, V_O = 5V, I_O = 2A
Operating temperature	T_{opr}	-30 to +85 °C	

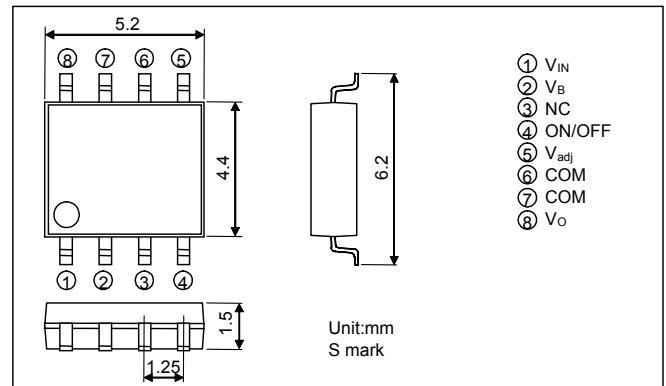
Block Diagram



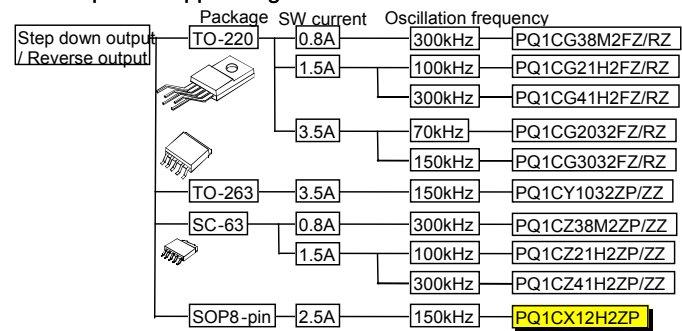
Application Circuit



Outline Dimensions

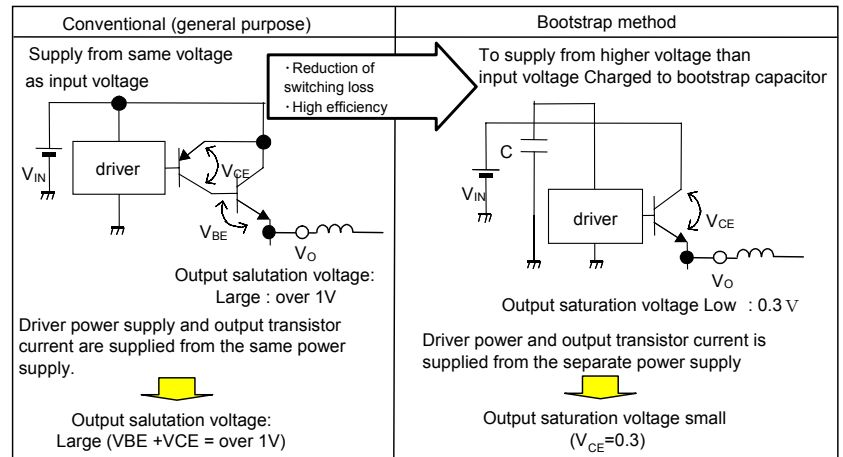


Line-up of Chopper Regulator



Feature of Bootstrap Method Chopper Regulator

Bootstrap capacitor is installed to supply higher controlled voltage than input voltage to switching transistor inside.
The higher efficiency is obtained due to the switching transistor's saturated voltage become low by higher controlled voltage than supplied input voltage



- High Efficiency 82% against conventional model
→ The method 87% (at V_{IN} = 12V → V_O = 5V)

Drastic improvement of efficiencies in dropper application below 5V

- Efficiency improvement at low input
Conventional efficiency 75% → 85% (V_{IN} = 5V → V_O = 3.3V)