

High Performance Regulators for PCs

Main Power Supply for Notebook PCs (With Built-in Linear Regulator)



BD9528AMUV

No.11030JAT46

●Description

BD9528AMUV is a 2ch switching regulator controller with high output current which can achieve low output voltage (1.0V~5.5V) from a wide input voltage range (5.5V~28V). High efficiency for the switching regulator can be realized by utilizing an external N-MOSFET power transistor. A new technology called H³RegTM (High speed, High efficiency, High performance) is a Rohm proprietary control method to realize ultra high transient response against load change. SLLM (Simple Light Load Mode) technology is also integrated to improve efficiency in light load mode, providing high efficiency over a wide load range. For protection and ease of use, 2ch LDO (5V/3.3V (total 100mA)), the soft start function, variable frequency function, short circuit protection function with timer latch, over voltage protection, and Power good function are all built in. This switching regulator is specially designed for Main Power Supply of laptop PC.

●Features

- 1) 2ch H³REGTM DC/DC Converter controller
- 2) Adjustable Simple Light Load Mode (SLLM), Quiet Light Load Mode (QLLM) and Forced continuous Mode
- 3) Thermal Shut Down (TSD), Under Voltage LockOut (UVLO), Over Current Protection (OCP), Over Voltage Protection (OVP), Short circuit protection with 0.75ms timer-latch (SCP)
- 4) Soft start function to minimize rush current during startup
- 5) Switching Frequency Variable (f=150kHz~500kHz)
- 6) Built-in Power good circuit
- 7) Built-in 2ch Linear regulator (5V/3.3V (total 100mA))
- 8) Built in reference voltage(0.7V)
- 9) VQFN032-V5050 package
- 10) Built-in BOOT-DI
- 11) Built-in output discharge
- 12) ESD Susceptibility (HBM (Human Body Model) : 2kV, MM (Machine Model) : 200V)

●Applications

Laptop PC, Desktop PC, LCD-TV, Digital Components

●Maximum Absolute Ratings (Ta=25°C)

Parameter	Symbol	Limits	Unit
Terminal Voltage	VIN, CTL, SW1, SW2	30 ^{*1*}	V
	EN1, EN2, PGOOD1, PGOOD2 Vo1, Vo2, MCTL1, MCTL2	6 ^{*1*}	V
	FS1, FS2, FB1, FB2, ILIM1, ILIM2, SS1, SS2, LG1, LG2, REF, REG2	REG1+0.3 ^{*1}	V
	BOOT1, BOOT2	35 ^{*1*}	V
	BOOT1-SW1, BOOT2-SW2, HG1-SW1, HG2-SW2	7 ^{*1*}	V
	HG1	BOOT1+0.3 ^{*1*}	V
	HG2	BOOT2+0.3 ^{*1*}	V
	PGND1, PGND2	AGND±0.3 ^{*1*}	V
Power Dissipation1	Pd1	0.38 ^{*3}	W
Power Dissipation2	Pd2	0.88 ^{*4}	W
Power Dissipation3	Pd3	3.26 ^{*5}	W
Power Dissipation4	Pd4	4.56 ^{*6}	W
Operating temperature Range	Topr	-20~+100	°C
Storage temperature Range	Tstg	-55~+150	°C
Junction Temperature	Tjmax	+150	°C

*1 Do not however exceed Pd.

*2 Instantaneous surge voltage, back electromotive force and voltage under less than 10% duty cycle.

*3 Reduced by 3.0mW for each increase in Ta of 1°C over 25°C (when don't mounted on a heat radiation board)

*4 Reduced by 7.0mW for increase in Ta of 1°C over 25°C. (when mounted on a board 74.2mm × 74.2mm × 1.6mm Glass-epoxy PCB which has 1 layer. (Copper foil area : 20.2mm²)

*5 Reduced by 26.1mW for increase in Ta of 1°C over 25°C. (when mounted on a board 74.2mm × 74.2mm × 1.6mm Glass-epoxy PCB which has 4 layers. (1st and 4th copper foil area : 20.2mm², 2nd and 3rd copper foil area : 5505mm²)

*6 Reduced by 36.5mW for increase in Ta of 1°C over 25°C. (when mounted on a board 74.2mm × 74.2mm × 1.6mm Glass-epoxy PCB which has 4 layers. (All copper foil area : 5505mm²)

●Operating Conditions (Ta=25°C)

Parameter	Symbol	Min.	Max.	Unit
Terminal Voltage	VIN	5.5	28	V
	CTL	-0.3	28	V
	EN1, EN2, MCTL1, MCTL2	-0.3	5.5	V
	BOOT1, BOOT2	4.5	33	V
	SW1, SW2	-0.3	28	V
	BOOT1-SW1, BOOT2-SW2, HG1-SW1, HG2-SW2	-0.3	5.5	V
	Vo1, Vo2, PGOOD1, PGOOD2	-0.3	5.5	V
MIN ON TIME	TONmin	-	150	nsec

★ This product should not be used in a radioactive environment.

●ELECTRICAL CHARACTERISTICS

(Unless otherwise noted, Ta=25°C VIN=12V, CTL=OPEN, EN1=EN2=5V, FS1=FS2=51kΩ)

Parameter	Symbol	Limits			Unit	Condition
		Min.	Typ.	Max.		
VIN standby current	ISTB	70	150	250	μA	EN1=EN2=0V, CTL=5V
VIN bias current	IIN	60	130	230	μA	Vo1=5V
VIN shut down mode current	ISHD	6	12	18	μA	CTL=0V
CTL Low Voltage	VCTLL	-0.3	-	0.8	V	
CTL High Voltage	VCTLH	2.3	-	28	V	
CTL bias current	ICTL	-18	-12	-6	μA	CTL=0V
EN Low Voltage	VENL	-0.3	-	0.8	V	
EN High Voltage	VENH	2.3	-	5.5	V	
EN bias current	IEN	-	3	6	μA	EN=3V
[5V linear regulator](VIN)						
REG1 output voltage	VREG1	4.90	5.00	5.10	V	I _{REG1} =1mA
Maximum current	I _{REG1}	100	-	-	mA	I _{REG2} =0mA*
Line Regulation	Reg.L1	-	90	180	mV	VIN=5.5 to 28V
Load Regulation	Reg.L1	-	30	50	mV	I _{REG1} =0 to 30mA
[3.3V linear regulator]						
REG2 output voltage	VREG2	3.27	3.30	3.33	V	I _{REG2} =1mA
Maximum current	I _{REG2}	100	-	-	mA	I _{REG1} =0mA*
Line Regulation	Reg.L2	-	-	20	mV	VIN=5.5 to 28V
Load Regulation	Reg.L2	-	-	30	mV	I _{REG2} =0 to 30mA
[5V linear regulator](Vo1)						
Input threshold voltage	REG1th	4.1	4.4	4.7	V	Vo1: Sweep up
Input delay time	TREG1	1.5	3	6	ms	
Switch resistance	RREG1	-	1.0	3.0	Ω	
[Under Voltage lock out block]						
REG1 threshold voltage	REG1_UVLO	3.9	4.2	4.5	V	REG1: Sweep up
Hysteresis voltage	dV_UVLO	50	100	200	mV	REG1: Sweep down
[Output voltage sense block]						
Feedback voltage1	VFB1	0.693	0.700	0.707	V	
FB1 bias current	IFB1	-	0	1	μA	FB1=REF
Output discharge resistance1	RDISOUT1	50	100	200	Ω	
Feedback voltage2	VFB2	0.693	0.700	0.707	V	
FB2 bias current	IFB2	-	0	1	μA	FB2=REF
Output discharge resistance2	RDISOUT2	50	100	200	Ω	

* I_{REG1}+I_{REG2}≤100mA

● ELECTRICAL CHARACTERISTICS

(unless otherwise noted, Ta=25°C VIN=12V, CTL=OPEN, EN1=EN2=5V, FS1=FS2=51kΩ)

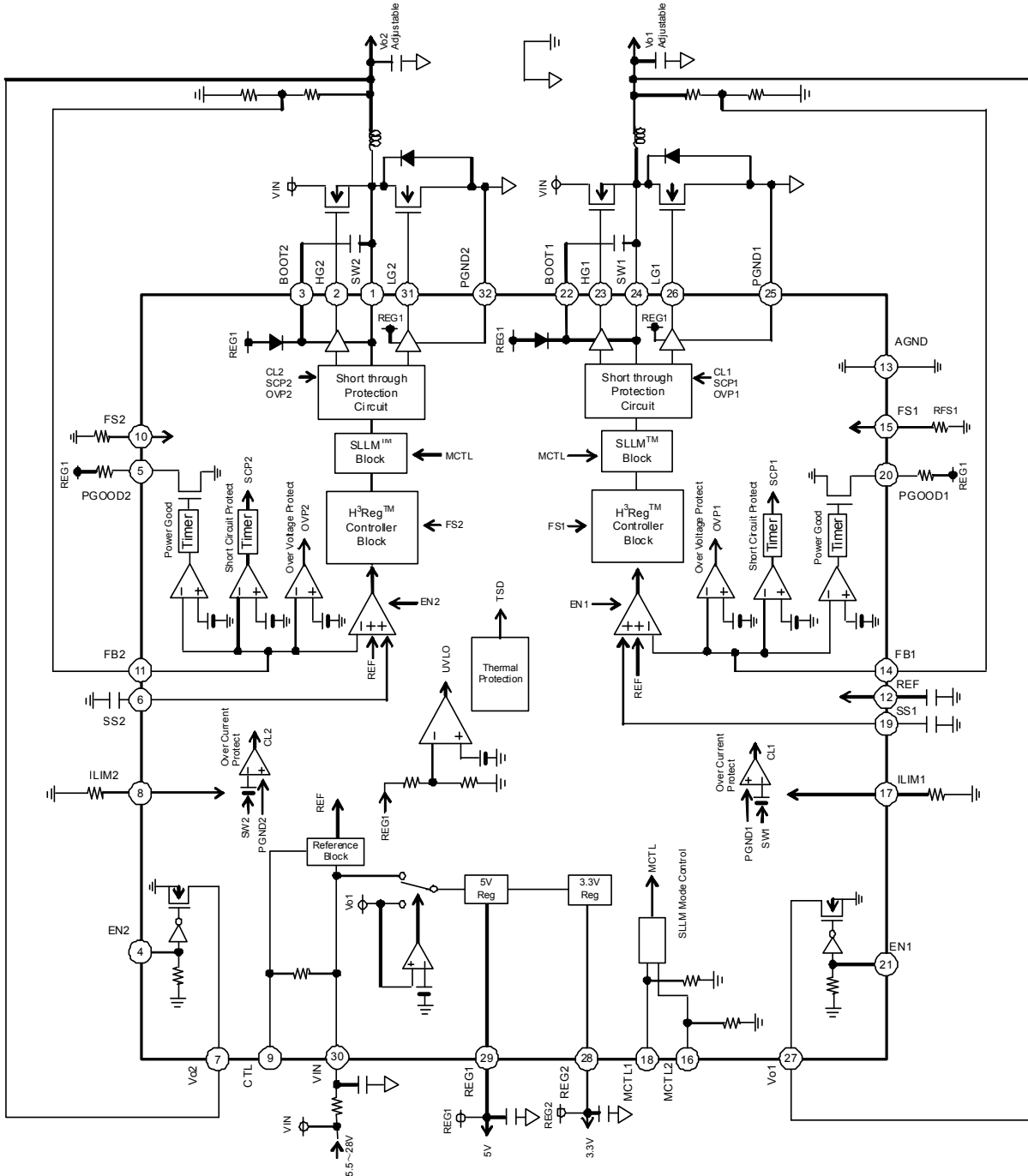
Parameter	Symbol	Limits			Unit	Condition
		Min.	Typ.	Max.		
[H³REG block]						
On time1	TON1	0.760	0.910	1.060	μs	Vo1= 5V
On time2	TON2	0.470	0.620	0.770	μs	Vo2= 3.3V
Maximum On time 1	TONMAX1	2.5	5	10	μs	Vo1= 5V
Maximum On time 2	TONMAX2	1.65	3.3	6.6	μs	Vo2= 3.3V
Minimum Off time	TOFFMIN	-	0.2	0.4	μs	
[FET driver block]						
HG higher side ON resistor	HGHON	-	3.0	6.0	Ω	
HG lower side ON resistor	HGLON	-	2.0	4.0	Ω	
LG higher side ON resistor	LGHON	-	2.0	4.0	Ω	
LG lower side ON resistor	LGLON	-	0.5	1.0	Ω	
[Over voltage protection block]						
OVP threshold voltage	VOVP	0.77 (+10%)	0.84 (+20%)	0.91 (+30%)	V	
OVP Hysteresis	dV_OVP	50	150	300	mV	
[Short circuit protection block]						
SCP threshold voltage	VSCP	0.42 (-40%)	0.49 (-30%)	0.56 (-20%)	V	
Delay time	TSCP	0.4	0.75	1.5	ms	
Current limit protection block]						
Offset voltage	dVSMAX	80	100	120	mV	ILIM=100kΩ
[Power good block]						
Power good low threshold	VPGTHL	0.525 (-25%)	0.595 (-15%)	0.665 (-5%)	V	
Power good low voltage	VPGL	-	0.1	0.2	V	IPGOOD=1mA
Delay time	TPGOOD	0.4	0.75	1.5	ms	
Power good leakage current	ILEAKPG	-2	0	2	μA	VPGOOD=5V
[Soft start block]						
Charge current	ISS	1.5	2.3	3.1	μA	
Standby voltage	VSS_STB	-	-	50	mV	
[Mode control block]						
MCTL Low voltage	VMCTL_L	-0.3	-	0.3	V	
MCTL High voltage	VMCTL_H	2.3	-	REG1 +0.3	V	
MCTL bias current	Imctl	8	16	24	μA	MCTL=5V

●Output condition table

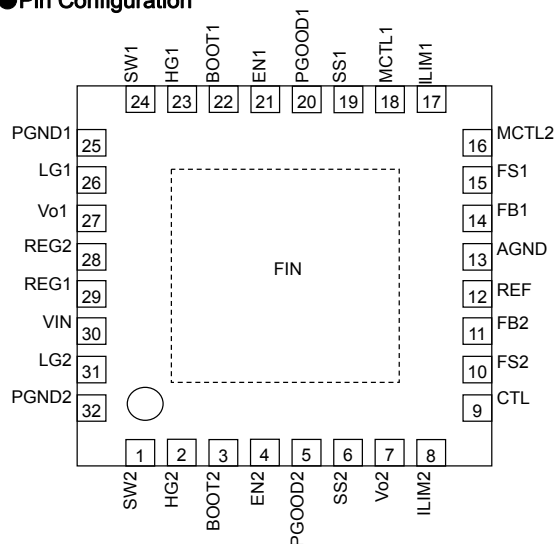
Input			Output			
CTL	EN1	EN2	REG1(5V)	REG2(3.3V)	DC/DC1	DC/DC2
Low	Low	Low	OFF	OFF	OFF	OFF
Low	Low	High	OFF	OFF	OFF	OFF
Low	High	Low	OFF	OFF	OFF	OFF
Low	High	High	OFF	OFF	OFF	OFF
High	Low	Low	ON	ON	OFF	OFF
High	Low	High	ON	ON	OFF	ON
High	High	Low	ON	ON	ON	OFF
High	High	High	ON	ON	ON	ON

※ CTL pin is connected to VIN pin with 1MΩ resistor(pull up) internal IC.
 ※ EN pin is connected to AGND pin with 1MΩ resistor(pull down) internal IC.

●Block Diagram, Application circuit



● Pin Configuration



Input		Control Mode
MCTL1	MCTL2	
Low	Low	SLLM
Low	High	QLLM
High	Low	Forced Continuous Mode
High	High	Forced Continuous Mode

※ MCTL pin is connected to AGND pin with 500kΩ resistor (pull down) internal IC

● Pin Function Table

PIN No.	PIN name	PIN Function
1	SW2	Highside FET source pin 2
2	HG2	Highside FET gate drive pin 2
3	BOOT2	HG Driver power supply pin 2
4	EN2	Vo2 ON/OFF pin (High=ON, Low,OPEN=OFF)
5	PGOOD2	Vo2 Power Good Open Drain Output pin
6	SS2	Vo2 Soft start pin
7	Vo2	Vo2 Output voltage sense pin
8	ILIM2	OCP setting pin 2
9	CTL	Linear regulator ON/OFF pin (High,OPEN=ON, Low=OFF)
10	FS2	Input pin for setting Vo2 frequency
11	FB2	Vo2 output voltage feedback pin
12	REF	Output voltage setting pin
13	AGND	Input pin Ground
14	FB1	Vo1 output voltage feedback pin
15	FS1	Input pin for setting Vo1 frequency
16	MCTL2	Mode switch pin 2 (OPEN = L)
17	ILIM1	OCP setting pin 1
18	MCTL1	Mode switch pin 1 (OPEN = L)
19	SS1	Vo1 Soft start pin
20	PGOOD1	Vo1 Power Good Open Drain Output pin
21	EN1	Vo1 ON/OFF pin (High=ON, Low,OPEN=OFF)
22	BOOT1	HG Driver power supply pin
23	HG1	Highside FET gate drive pin 1
24	SW1	Highside FET source pin 1
25	PGND1	Lowside FET source pin 1
26	LG1	Lowside FET gate drive pin 1
27	Vo1	Vo1 Output voltage sense pin
28	REG2	3.3V Linear regulator output pin
29	REG1	5V Linear regulator output pin
30	VIN	Power supply input pin
31	LG2	Lowside FET gate drive pin 2
32	PGND2	Lowside FET source pin 2
reverse	FIN	Exposed Pad1, connect to GND

●Reference data

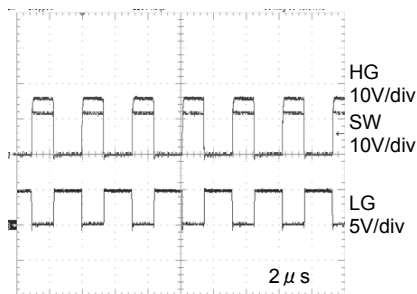


Fig.1 Switching Waveform
(Vo=5V, Io=0A, PWM)

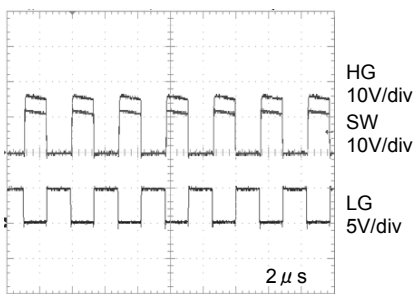


Fig.2 Switching Waveform
(Vo=5V, Io=8A, PWM)

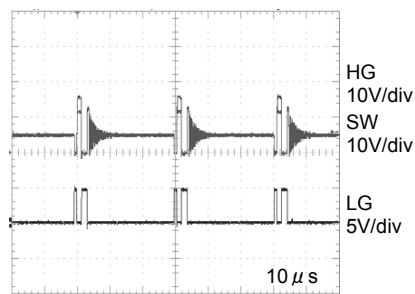


Fig.3 Switching Waveform
(Vo=5V, Io=0A, QLLM)

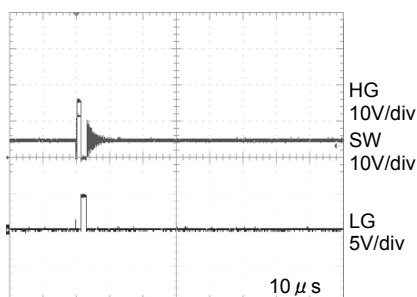


Fig.4 Switching Waveform
(Vo=5V, Io=0A, SLLM)

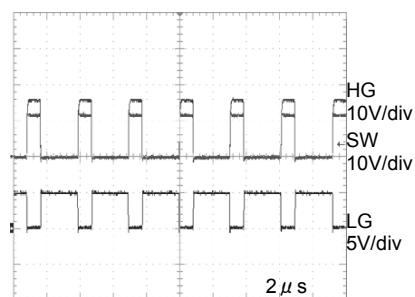


Fig.5 Switching Waveform
(Vo=3.3V, Io=0A, PWM)

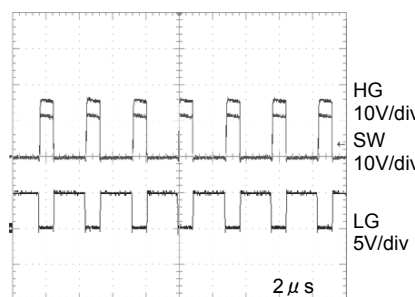


Fig.6 Switching Waveform
(Vo=3.3V, Io=8A, PWM)

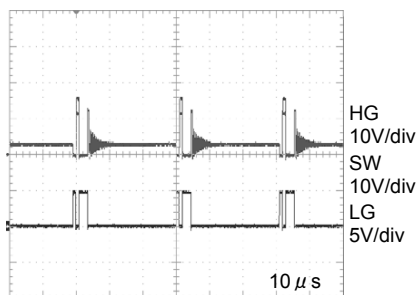


Fig.7 Switching Waveform
(Vo=3.3V, Io=0A, QLLM)

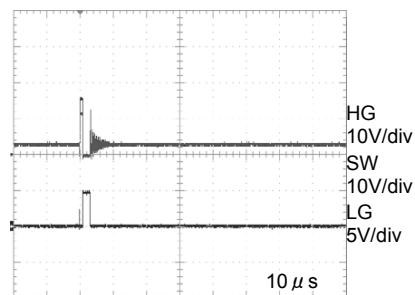


Fig.8 Switching Waveform
(Vo=3.3V, Io=0A, SLLM)

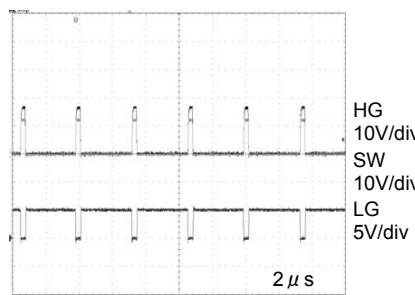


Fig.9 Switching Waveform
(Vo=1V, Io=0A, PWM)

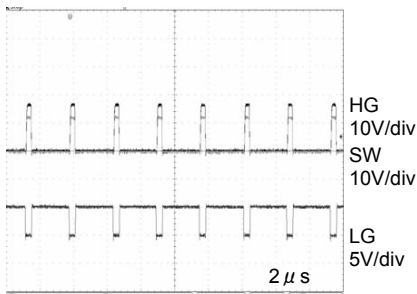


Fig.10 Switching Waveform
(Vo=1V, Io=8A, PWM)

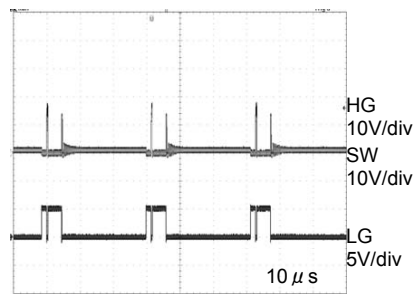


Fig.11 Switching Waveform
(Vo=1V, Io=0A, QLLM)

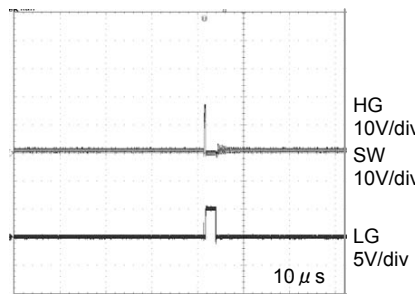


Fig.12 Switching Waveform
(Vo=1V, Io=0A, SLLM)

●Reference data

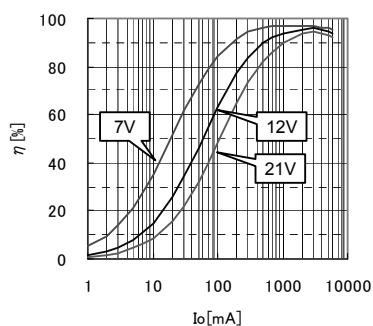


Fig.13 Efficiency
($V_o=5V$, PWM)

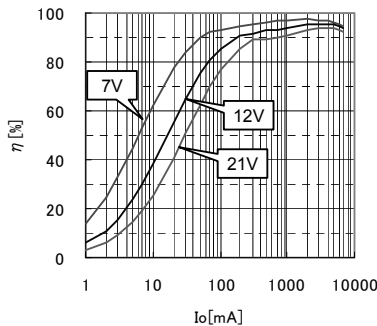


Fig.14 Efficiency
($V_o=5V$, QLLM)

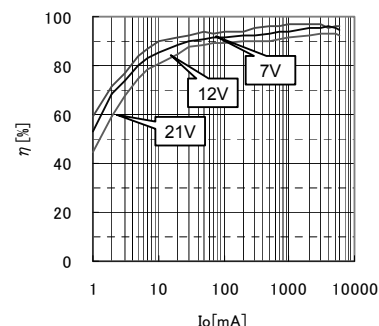


Fig.15 Efficiency
($V_o=5V$, SLLM)

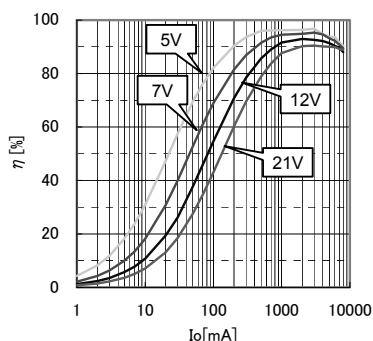


Fig.16 Efficiency
($V_o=3.3V$, PWM)

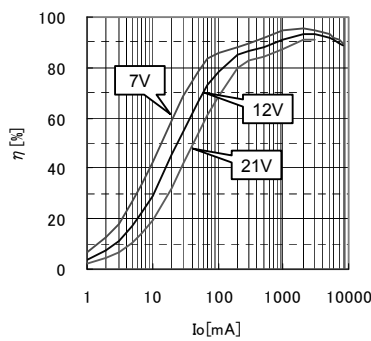


Fig.17 Efficiency
($V_o=3.3V$, QLLM)

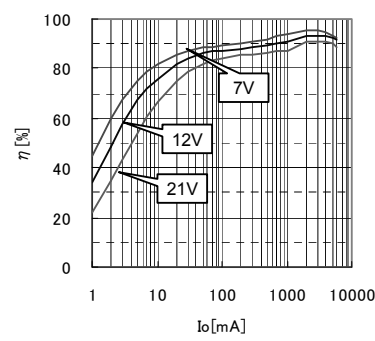


Fig.18 Efficiency
($V_o=3.3V$, SLLM)

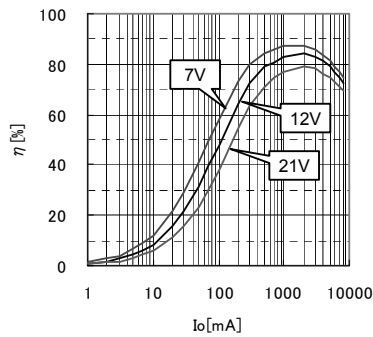


Fig.19 Efficiency
($V_o=1V$, PWM)

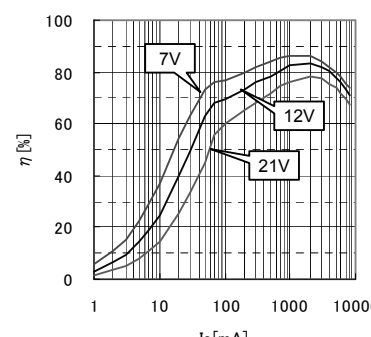


Fig.20 Efficiency
($V_o=1V$, QLLM)

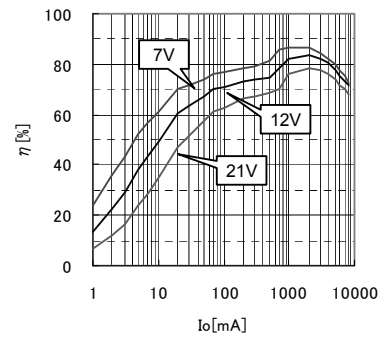


Fig.21 Efficiency
($V_o=1V$, SLLM)

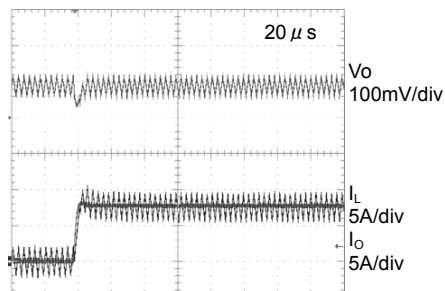


Fig.22 Transient Response
($V_o=5V$, PWM, $I_o=0 \rightarrow 8A$)

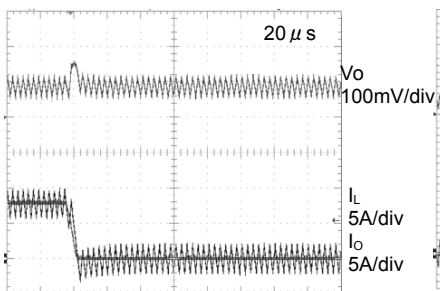


Fig.23 Transient Response
($V_o=5V$, PWM, $I_o=8 \rightarrow 0A$)

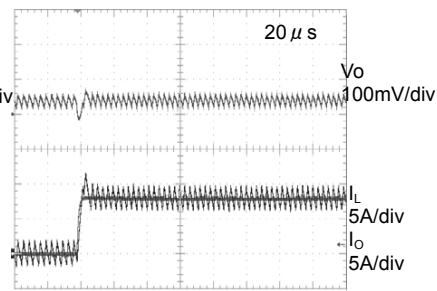


Fig.24 Transient Response
($V_o=3.3V$, PWM, $I_o=0 \rightarrow 8A$)

●Reference data

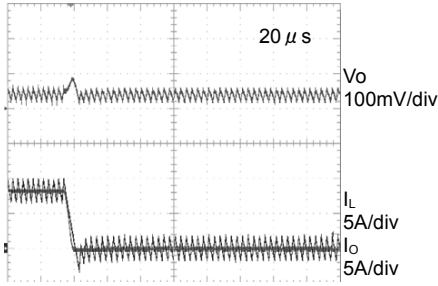


Fig.25 Transient Response
(Vo=3.3V, PWM, Io=8→0A)

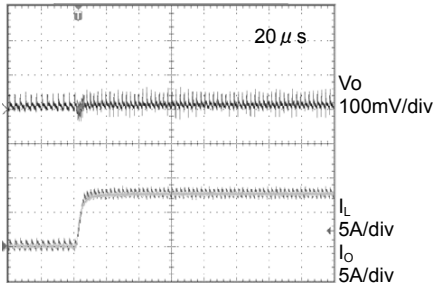


Fig.26 Transient Response
(Vo=1V, PWM, Io=0→8A)

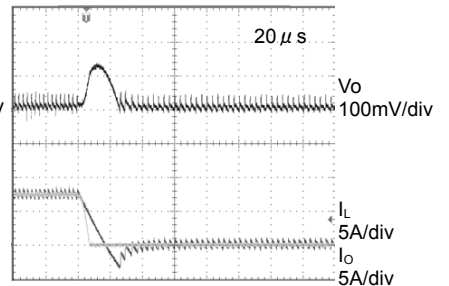


Fig.27 Transient Response
(Vo=1V, PWM, Io=8→0A)

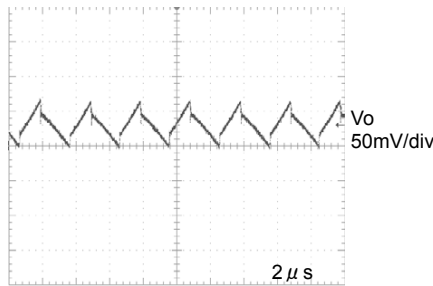


Fig.28 Output Voltage
(Vo=5V, PWM, Io=0A)

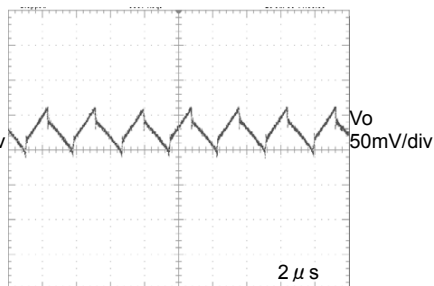


Fig.29 Output Voltage
(Vo=5V, PWM, Io=8A)

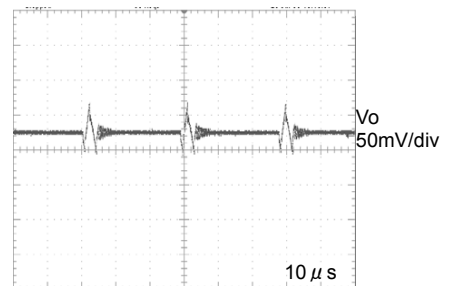


Fig.30 Output Voltage
(Vo=5V, QLLM, Io=0A)

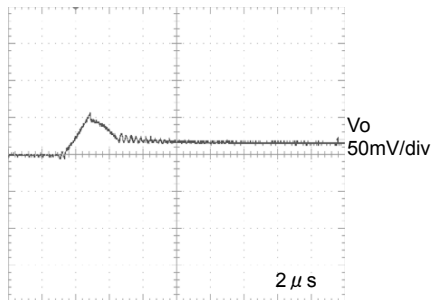


Fig.31 Output Voltage
(Vo=5V, SLLM, Io=0A)

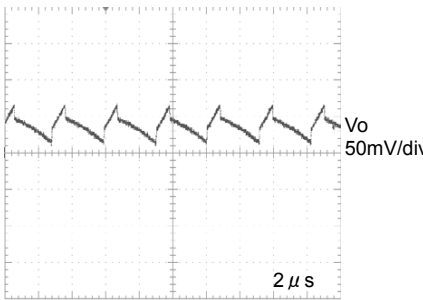


Fig.32 Output Voltage
(Vo=3.3V, PWM, Io=0A)

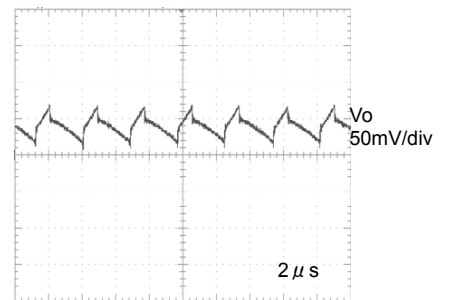


Fig.33 Output Voltage
(Vo=3.3V, PWM, Io=8A)



Fig.34 Output Voltage
(Vo=3.3V, QLLM, Io=0A)

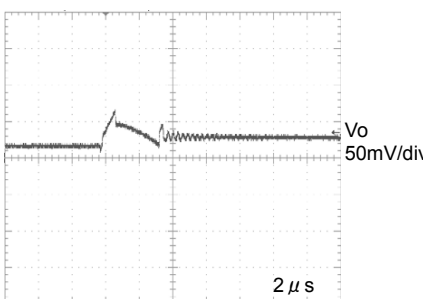


Fig.35 Output Voltage
(Vo=3.3V, SLLM, Io=0A)

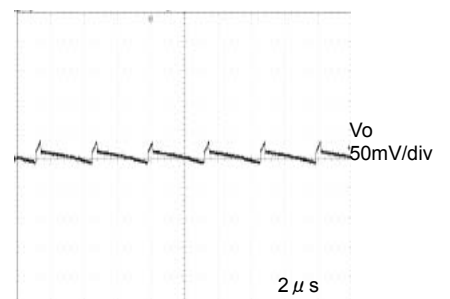


Fig.36 Output Voltage
(Vo=1V, PWM, Io=0A)

●Reference data

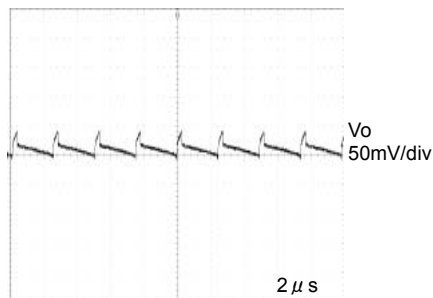


Fig.37 Output Voltage
(Vo=1V, PWM, Io=8A)

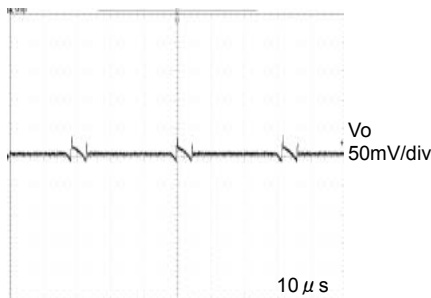


Fig.38 Output Voltage
(Vo=1V, QLLM, Io=0A)

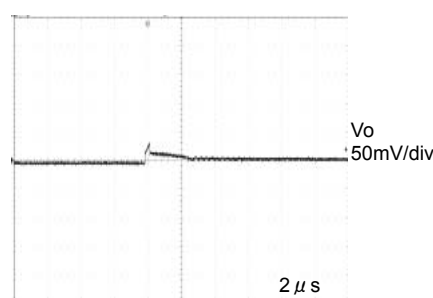


Fig.39 Output Voltage
(Vo=1V, SLLM, Io=0A)

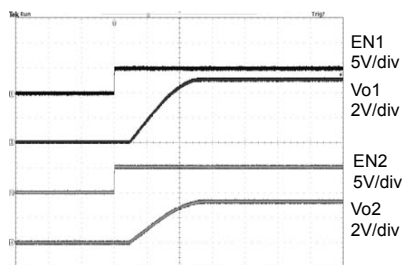


Fig.40 Wake up waveform
(EN1=EN2)

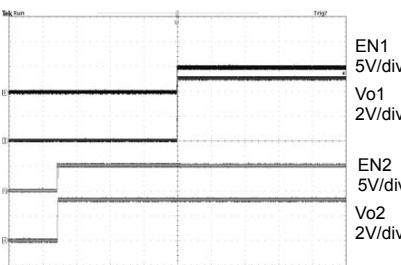


Fig.41 Wake up waveform
(EN2→EN1)

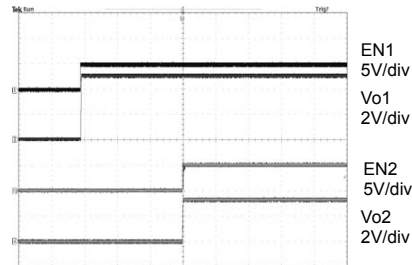


Fig.42 Wake up waveform
(EN1→EN2)

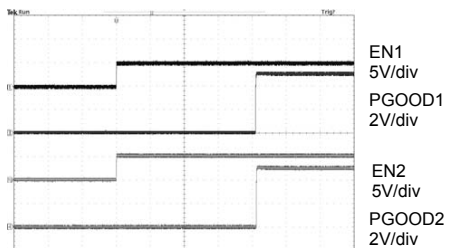


Fig.43 Wake up waveform
(EN1/2→PGOOD1/2)

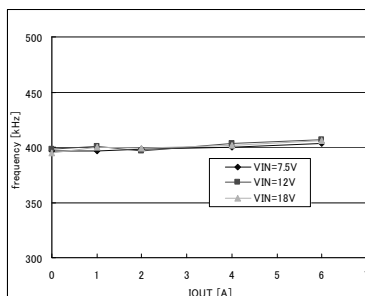


Fig.44 Io-frequency
(Vo=5V, PWM, RFS=68kΩ)

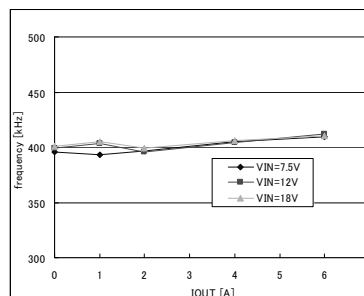


Fig.45 Io-frequency
(Vo=3.3V, PWM, RFS=68kΩ)

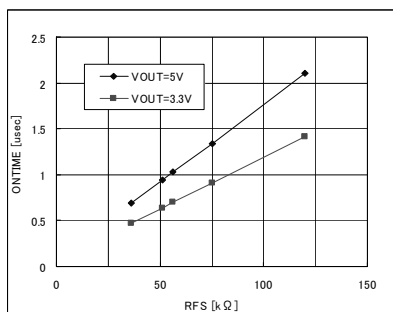


Fig.46 FS-ONTIME

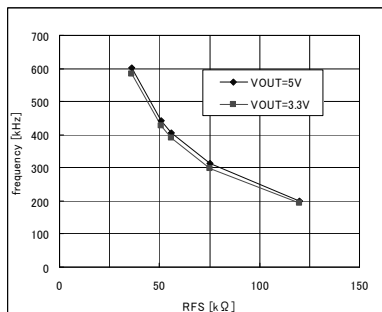


Fig.47 FS-frequency

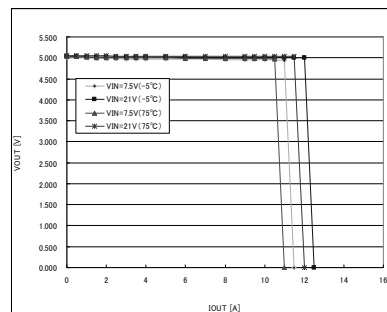


Fig.48 Ta-IoCP
(Vo=5V)

●Reference data

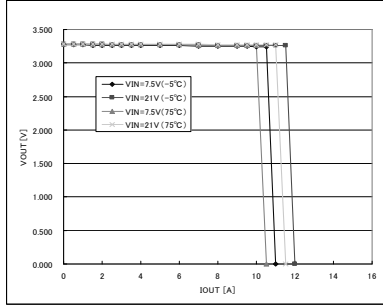


Fig.49 Ta-Iocp
(Vo=3.3V)

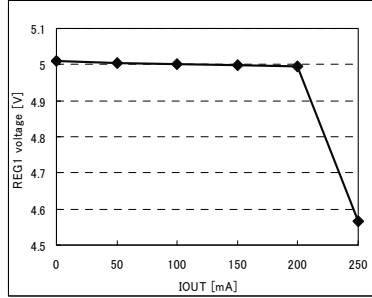


Fig.50 IREG1-REG1

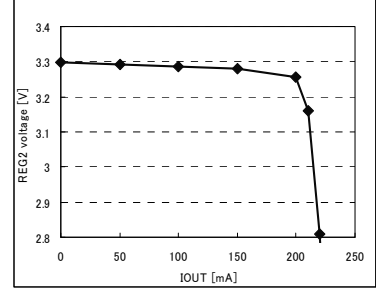


Fig.51 IREG2-REG2

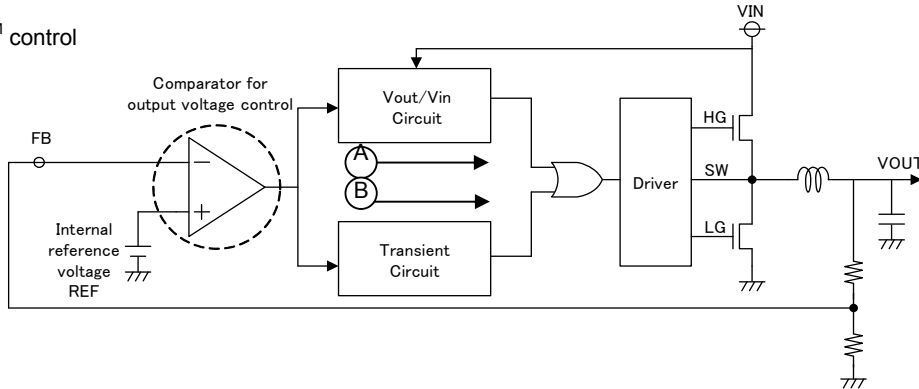
●Pin Descriptions

- VIN (30 pin)
This is the main power supply pin. The input supply voltage range is 5.5V to 28V. The duty cycle of BD9528AMUV is determined by input voltage and control output voltage. Therefore, when VIN voltage fluctuated, the output voltage also becomes unstable. Since VIN line is also the input voltage of switching regulator, stability depends on the impedance of the voltage supply. It is recommended to establish bypass capacitor and CR filter suitable for the actual application.
- CTL (9 pin)
When CTL pin voltage is at least 2.3V, the status of the linear regulator output becomes active (REG1=5V, REG2=3.3V). Conversely, the status switches off when CTL pin voltage goes lower than 0.8V. The switching regulator doesn't become active when the status of CTL pin is low, if the status of EN pin is high.
(※CTL pin is connected to VIN pin with 1M Ω resistor(pull up) intermall IC)
- EN1, 2 (21 pin, 4 pin)
When EN pin voltage is at least 2.3V, the status of the switching regulator becomes active. Conversely, the status switches off when EN pin voltage goes lower than 0.8V.
(※EN pin is connected to AGND pin with 1M Ω resistor(pull down) intermall IC)
- REG1 (29 pin)
This is the output pin for 5V linear regulator and also active in power supply for driver and control circuit of the inside. The standby function for REG1 is determined by CTL pin. The voltage is 5V, with 100mA current ability. It is recommended that a 10 μ F capacitor (X5R or X7R) be established between REG1 and GND.
- REG2 (28 pin)
This is the output pin for 3.3V linear regulator. The standby function for REG2 is determined by CTL. The voltage is 3.3V, with 100mA current ability. It is recommended that a 10 μ F capacitor (X5R or X7R) be established between REG2 and GND.
- REF (12 pin)
This is the setting pin for output voltage of switching regulator. This IC controls the voltage in the status of REF \equiv FB.
- FB 1, 2 (14 pin, 11 pin)
This is the feedback pin from the output of switching regulator. This IC controls the voltage in the status of REF \equiv FB.
- Vo1 (27 pin)
This is the output discharge pin, and output voltage feedback pin for frequency setting. When the voltage is beyond 4.4V from the external power supply during operation, it supplies REG1.
- Vo2 (7 pin)
This is the output discharge pin, and output voltage feedback pin for frequency setting.
- SS1, 2 (19 pin, 6 pin)
This is the setting pin for soft start. The rising time is determined by the capacitor connected between SS and GND, and the fixed current inside IC after it is the status of low in standby mode. It controls the output voltage till SS voltage catch up the REF pin to become the SS terminal voltage.
- FS1, 2 (15 pin, 10 pin)
This is the input pin for setting the frequency. It is available to set it in frequency range is 150kHz to 500kHz.
- ILIM1, 2 (17 pin, 8 pin)
BD9528AMUV detects voltage differential between SW and PGND, and set OCP. OCP setting current value is determined by the resistance value of ILIM pin. FET of various Ron is available.
- PGOOD 1, 2 (20 pin, 5 pin)
This is the open drain pin for deciding the output of switching regulator.
- MCTL1, 2 (18 pin, 16 pin)
This is the switching shift pin for SLLM (Simple Light Load Mode). MCTL pin is at low level when it goes lower than 0.8V, and at high level when it goes higher than 2.3V.
(※MCTL pin is connected to AGND pin with 500k Ω resistor(pull down) intermall IC)
- AGND (13 pin)
This is the ground pin.
- BOOT1, 2 (22 pin, 3 pin)
This is the power supply pin for high side FET driver. The maximum voltage range to GND pin is to 35V, to SW pin is to 7V. In switching operations, the voltage swings from (VIN+REG1) to REG1 by BOOT pin operation.
- HG1, 2 (23 pin, 2 pin)
This is the highside FET gate drive pin. It is operated in switching between BOOT to SW. In case the output MOS is 3ohm /the status of Hi, 2ohm/the status of Low, it is operated hi-side FET gate in high speed.
- SW1, 2 (24 pin, 1 pin)
This is the ground pin for high side FET drive. The maximum voltage range to GND pin is to 30V. Switching operation swings from the status of BOOT to the status of GND.
- LG1, 2 (26 pin, 31 pin)
This is the lowside FET gate drive pin. It is operated in switching between REG1 to PGND. In case the output MOS is 2ohm /the status of Hi, 0.5ohm/the status of Low, it is operated low-side FET gate in high speed.
- PGND1, 2 (25 pin, 32 pin)
This is the ground pin for low side FET drive.

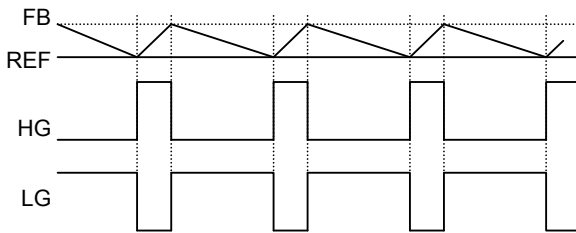
●Explanation of Operation

The BD9528AMUV is a 2ch synchronous buck regulator controller incorporating ROHM's proprietary H³REG CONTROLLA control system. Because controlling of output voltage by a comparator, high response is realized with not relying on the switching frequency. And, when VOUT drops due to a rapid load change, the system quickly restores VOUT by extending the TON time interval. Thus, it serves to improve the regulator's transient response. Activating the Light Load Mode will also exercise Simple Light Load Mode (SLLM) control when the load is light, to further increase efficiency.

H³Reg™ control



(Normal operation)

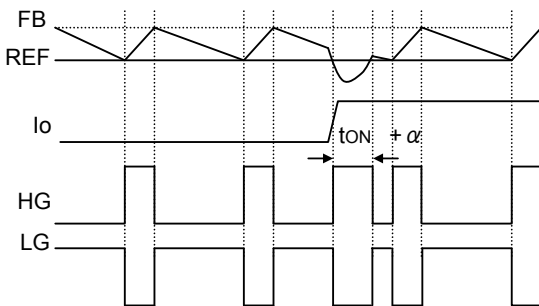


When FB falls to a reference voltage (REF), the drop is detected, activating the H³REG CONTROLLA system. <Route A>

$$t_{ON} = \frac{V_{OUT}}{V_{IN}} \times \frac{1}{f} \text{ [sec]} \dots (1)$$

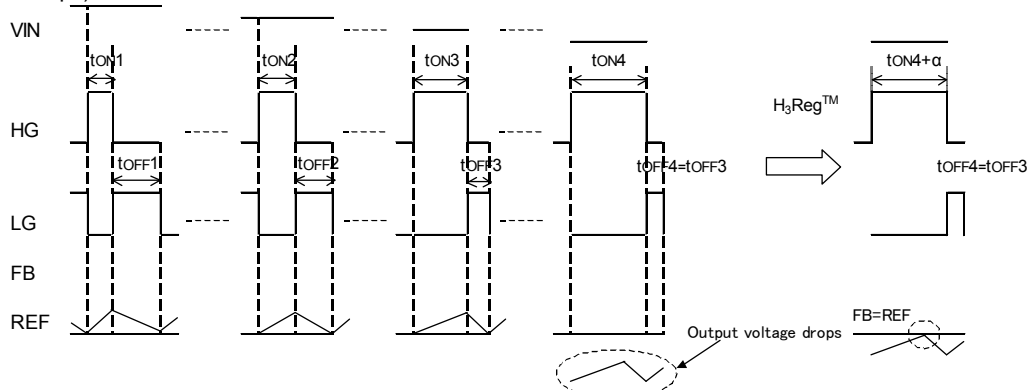
HG output is determined by the formula above. After the status of HG is OFF, LG go on outputting until output voltage become FB=REF.

(VOUT drops due to a rapid load change)



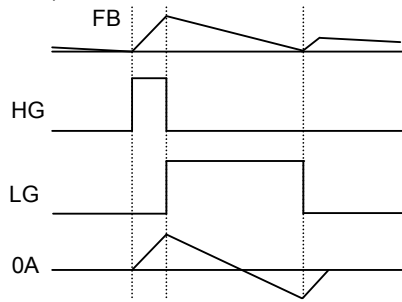
When VOUT drops due to a rapid load change, and the voltage remains below reference voltage after the programmed tON time interval has elapsed (Output of a comparator for output voltage control =H), the system quickly restores VOUT by extending the tON time, improving the transient response. <Route B> After VOUT restores (FB=REF), HG turns to be OFF, and it goes back to a normal operation.

(when VIN drops)



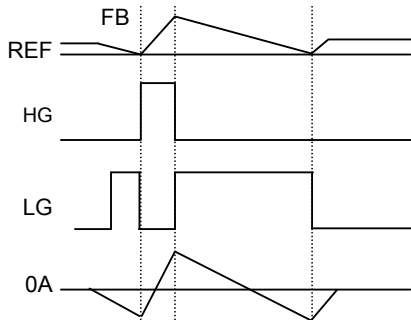
If VIN voltage drops because of the battery voltage fall, ontime tON and offtime tOFF is determined by the following formula: $t_{ON} = V_{OUT}/V_{IN} \times 1/f$ and $t_{OFF} = (V_{IN} - V_{OUT})/V_{IN} \times 1/f$ so that tON lengthen and tOFF shorten to keep output voltage constant. However, if VIN still drops and tOFF equals to tminoff (tminoff: Minimum OFF time, regulated inside IC), because tOFF cannot shorten any more, as a result output voltage drops. In H3Reg™ system, lengthening tON time than regulated tON (lengthen tON time until FB > REF) enables to operate stable not to drop the output voltage even if VIN turns to be low. With the reason above, it is suitable for 2-cell battery.

Light Load Control (SLLM)



In SLLM, when the status of LG is OFF and the coil current is within 0A (it flows to SW from VOUT.), SLLM function is operated to prevent output next HG. The status of HG is ON, when FB falls below reference voltage again.

(QLLM)



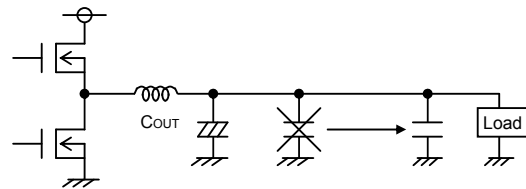
In QLLM, when the status of LG is OFF and the coil current is within 0A (it flows to SW from VOUT.), QLLM function is operated to prevent output next HG.

Then, FB falls below the output programmed voltage within the programmed time (typ=40µs), the status of HG is ON. In case FB doesn't fall in the programmed time, the status of LG is ON forcedly and VOUT falls. As a result, the status of next HG is ON.

MCTL1	MCTL2	Control mode	Running
L	L	SLLM	PWM
L	H	QLLM	PWM
H	X	PWM	PWM

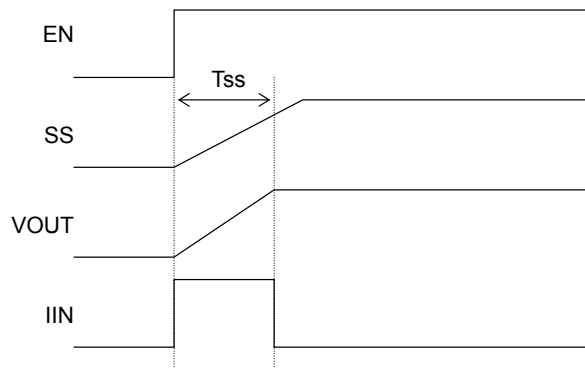
*Attention: H³Reg™CONTROLLA monitors the supplying current from capacitor to load, using the ESR of output capacitor, and realize the rapid response. Bypass capacitor used at each load (Ex. Ceramic capacitor) exercises the effect with connecting to each load side. Do not put a ceramic capacitor on COUT side of power supply.

The BD9528AMUV operates in PWM mode until SS pin reaches clamp voltage (2.5V), regardless of the control mode setting, in order to operate stable during the operation.



●Timing Chart

- Soft Start Function



Soft start is exercised with the EN pin set high. Current control takes effect at startup, enabling a moderate output voltage “ramping start.” Soft start timing and incoming current are calculated with formulas (2) and (3) below.

Soft start time

$$T_{SS} = \frac{REF \times C_{SS}}{2.3 \mu A (typ)} \text{ [sec]} \dots (2)$$

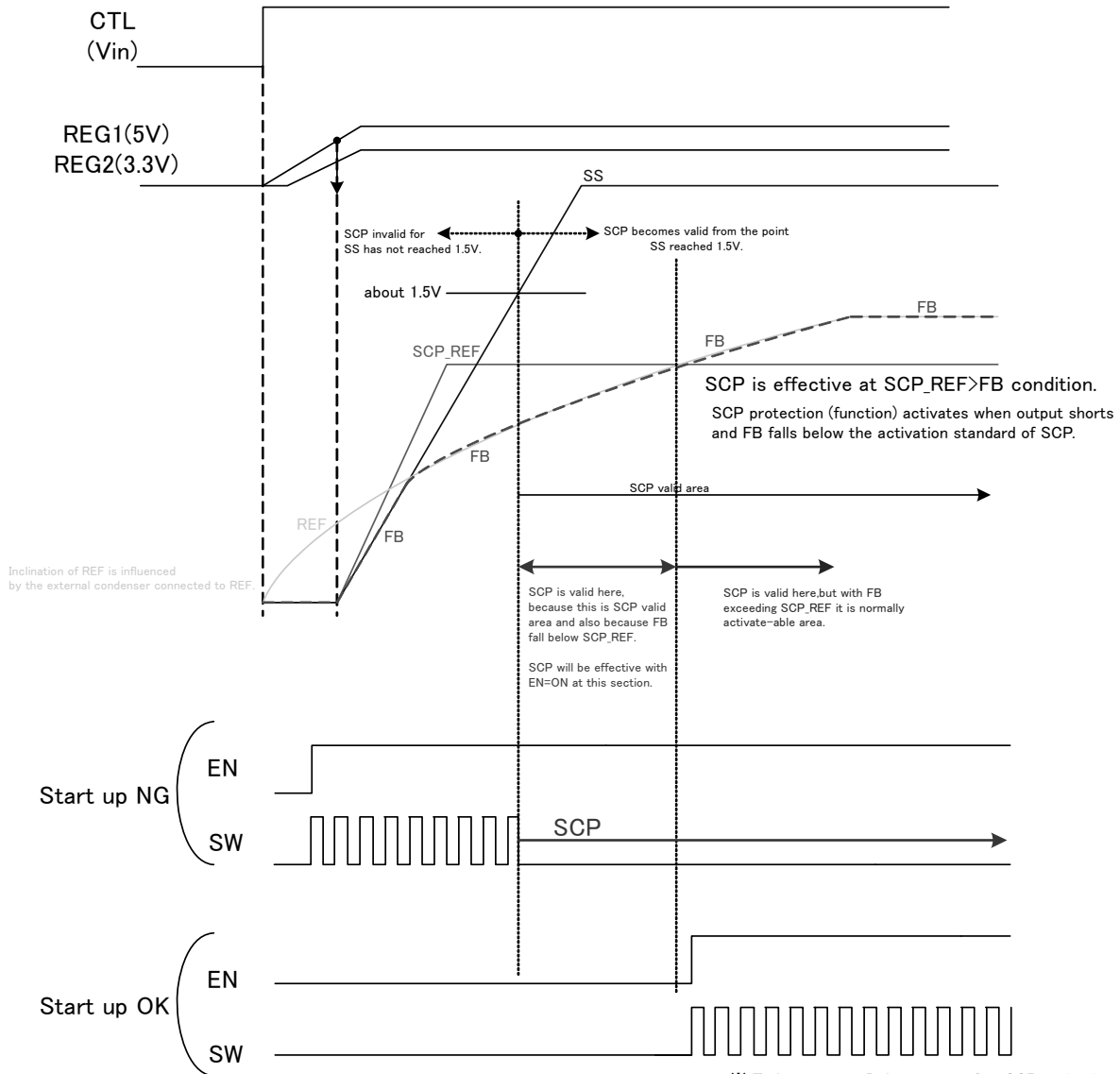
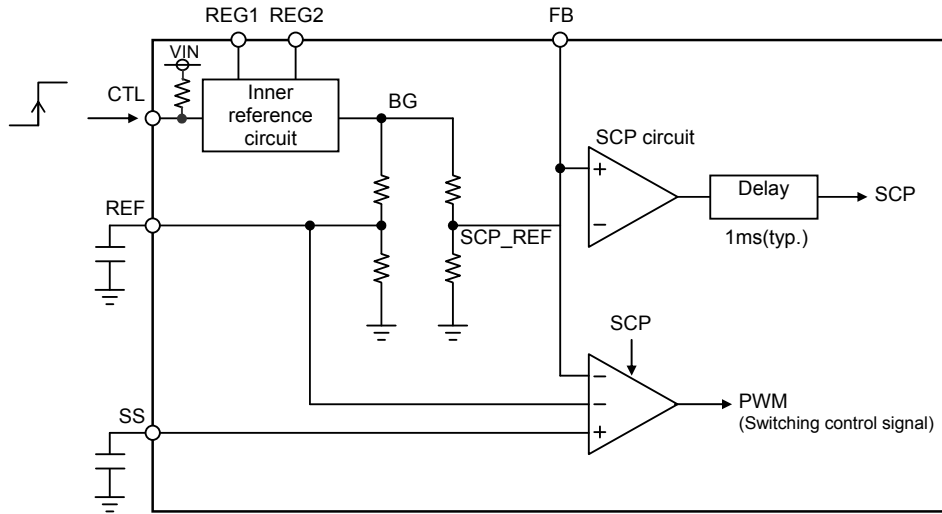
Incoming current

$$I_{IN} = \frac{C_o \times V_{OUT}}{T_{SS}} \text{ [A]} \dots (3)$$

(C_{SS}: Soft start capacitor; C_o: Output capacitor)

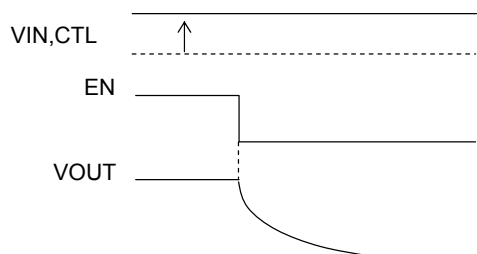
Notes when waking up with CTL pin or VIN pin

If EN pin is High or short (or pull up resistor) to REG1 pin, IC starts up by switching CTL pin, the IC might fail to start up (SCP function) with the reason below, please be careful of SS pin and REF pin capacitor capacity.



※ To be accurate, Delay occurs after SCP activating. But this shows the relationship of each signals briefly.

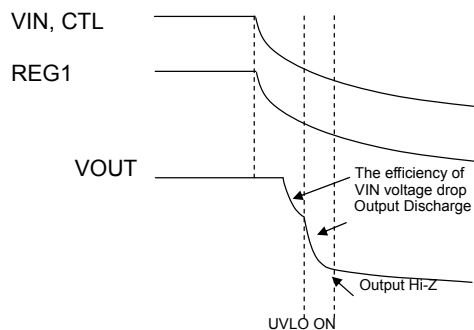
●Output Discharge



It will be available to use if connecting VOUT pin to DC/DC output. (Total about 100Ω) . Discharge function operates when ①EN='L' ②UVLO=ON(If input voltage is low) ③SCP Latch time ④TSD=ON. The function at output discharge time is shown as left.

(1)during EN='H'→ 'L'

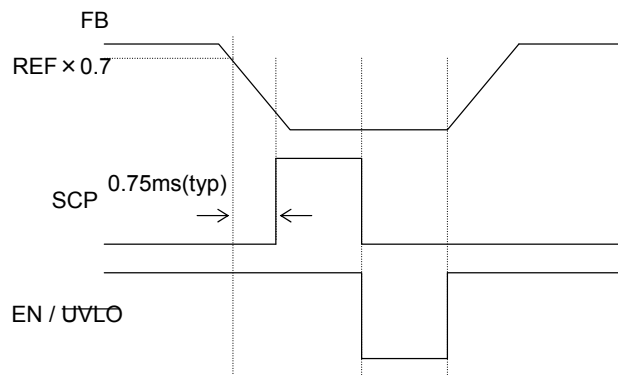
If EN pin voltage is below than EN threshold voltage, output discharge function is operated, and discharge output capacitor charge.



(2) during VIN=CTL=H→0V

- ① IC is in normal operation until REG1 voltage becomes lower than UVLO voltage. However, because VIN voltage also becomes low, output voltage will drop, too.
- ② If REG1 voltage reaches the UVLO voltage, output discharge function is operated, and discharge output capacitor charge.
- ③ In addition, if REG1 voltage drops, inner IC logic cannot operate, so that output discharge function does not work, and becomes output Hi-z. (In case, FB has resistor against GND, discharge at the resistor.)

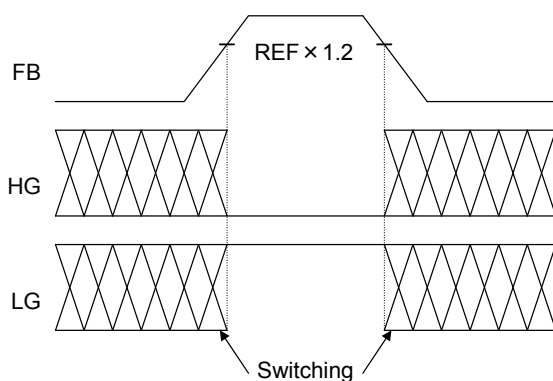
• Timer Latch Type Short Circuit Protection



Short protection kicks in when output falls to or below REF X 0.7.

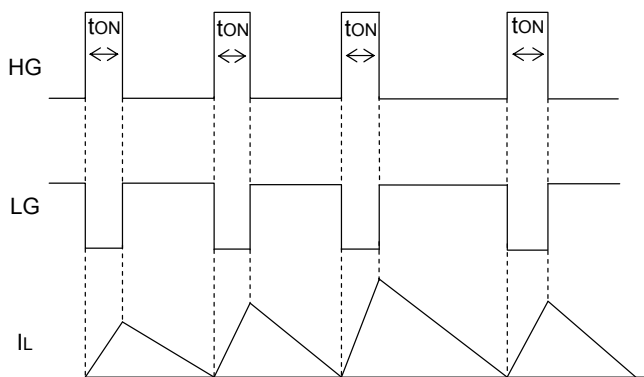
When the programmed time period elapses, output is latched OFF to prevent destruction of the IC. (HG=Low, LG=Low) Output voltage can be restored either by reconnecting the EN pin or disabling UVLO.

• Over Voltage Protection



When output rise to or above REF x 1.2 (typ), output over voltage protection is exercised, and low side FET goes up maximum for reducing output.(LG=High, HG=Low).When output falls, output voltage can be restored., and go back to the normal operation.

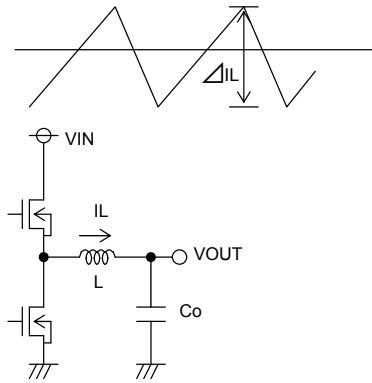
• Over current protection circuit



During the normal operation, when FB becomes less than REF, HG becomes High during the time tON, and after HG becomes OFF, it output LG. However, when inductor current exceeds I_{LIMIT} threshold, next HG pulse doesn't pulsate until it is lower than I_{LIMIT} level.

●External Component Selection

1. Inductor (L) selection



Output ripple current

- ※Passing a current larger than the inductor’s rated current will cause magnetic saturation in the inductor and decrease system efficiency. In selecting the inductor, be sure to allow enough margin to assure that peak current does not exceed the inductor rated current value.
- ※To minimize possible inductor damage and maximize efficiency, choose a inductor with a low (DCR, ACR) resistance.

The inductor value is a major influence on the output ripple current. As formula (4) below indicates, the greater the inductor or the switching frequency, the lower the ripple current.

$$\Delta I_L = \frac{(V_{IN} - V_{OUT}) \times V_{OUT}}{L \times V_{IN} \times f} \text{ [A]} \dots (4)$$

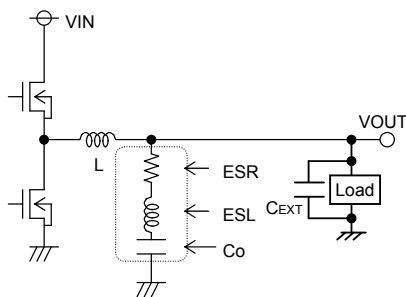
The proper output ripple current setting is about 30% of maximum output current.

$$\Delta I_L = 0.3 \times I_{OUTmax} \text{ [A]} \dots (5)$$

$$L = \frac{(V_{IN} - V_{OUT}) \times V_{OUT}}{\Delta I_L \times V_{IN} \times f} \text{ [H]} \dots (6)$$

(ΔI_L : output ripple current; f: switch frequency)

2. Output Capacitor (Co) Selection



Output Capacitor

When determining the proper output capacitor, be sure to factor in the equivalent series resistance required to smooth out ripple voltage and maintain a stable output voltage range. Output ripple voltage is determined as in formula (7) below.

$$\Delta V_{OUT} = \Delta I_L \times ESR + ESL \times \Delta I_L / T_{ON} \dots (7)$$

(ΔI_L : Output ripple current, ESR: Co equivalent series resistance, ESL: Co equivalent series inductance)

※In selecting a capacitor, make sure the capacitor rating allows sufficient margin relative to output voltage. Note that a lower ESR can minimize output ripple voltage.

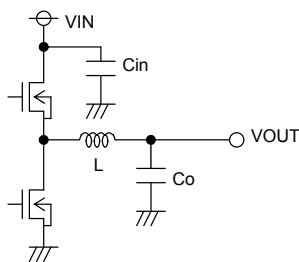
Please give due consideration to the conditions in formula (8) below for output capacity, bear in mind that output rise time must be established within the soft start time frame. Capacitor for bypass capacitor is connected to Load side which connect to output in output capacitor capacity (C_{EXT}, figure above). Please set the soft start time or over current detecting value, regarding these capacities.

$$C_o + C_{EXT} \leq \frac{T_{SS} \times (\text{Limit} - I_{OUT})}{V_{OUT}} \dots (8)$$

T_{SS}: Soft start time
Limit: Over current detection

Note: Improper capacitor may cause startup malfunctions.

3. Input Capacitor (Cin) Selection



Input Capacitor

The input capacitor selected must have low enough ESR resistance to fully support large ripple output, in order to prevent extreme over current. The formula for ripple current IRMS is given in (9) below.

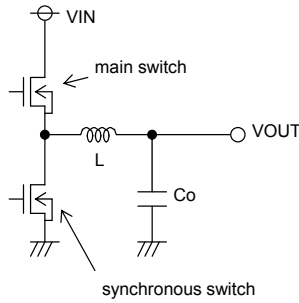
$$I_{RMS} = I_{OUT} \times \frac{\sqrt{V_{IN} (V_{IN} - V_{OUT})}}{V_{IN}} \text{ [A]} \dots (9)$$

Where $V_{IN} = 2 \times V_{OUT}$, $I_{RMS} = \frac{I_{OUT}}{2}$

A low ESR capacitor is recommended to reduce ESR loss and maximize efficiency.

4. MOSFET Selection

MOSFET may cause the loss as below, so please select proper FET for each.



<Loss on the main MOSFET>

$$P_{main} = P_{RON} + P_{GATE} + P_{TRAN}$$

$$= \frac{V_{OUT}}{V_{IN}} \times R_{ON} \times I_{OUT}^2 + C_{iss} \times f \times V_{DD} + \frac{V_{IN}^2 \times C_{rss} \times I_{OUT} \times f}{I_{DRIVE}} \dots (10)$$

(Ron: On-resistance of FET; Ciss: FET gate capacitance;
f: Switching frequency Crss: FET inverse transfer function;
IDRIVE: Gate peak current)

<Loss on the synchronous MOSFET>

$$P_{syn} = P_{RON} + P_{GATE}$$

$$= \frac{V_{IN} - V_{OUT}}{V_{IN}} \times R_{ON} \times I_{OUT}^2 + C_{iss} \times f \times V_{DD} \dots (11)$$

5. Setting output voltage

This IC is operated that output voltage is REF = FB.
And it is operated that output voltage is feed back to FB pin.

<Output Voltage>

$$V_{OUT} = \frac{(R1+R2)}{R2} \times REF(0.7V) + \frac{1}{2} \Delta V_{OUT} \quad (\Delta V_{OUT}: \text{Output ripple voltage})$$

$$\Delta V_{OUT} = \Delta I_L \times ESR \quad (\Delta I_L: \text{ripple current of coil})$$

$$\Delta I_L = (V_{IN} - V_{OUT}) \times \frac{V_{OUT}}{(L \times V_{IN} \times f)} \quad (L: \text{inductance[H] f: switching frequency[Hz]})$$

※(Notice) Please set ΔFB more than 10mV

Ex. VIN=20V, VOUT=5V, f=300kHz, L=2.5uH, ESR=20mΩ, R1=56kΩ, R2=9.1kΩ

$$\Delta I_L = (20V - 5V) \times 5V / (2.5 \times 10^{-6}H \times 20V \times 300 \times 10^3Hz) = 5[A]$$

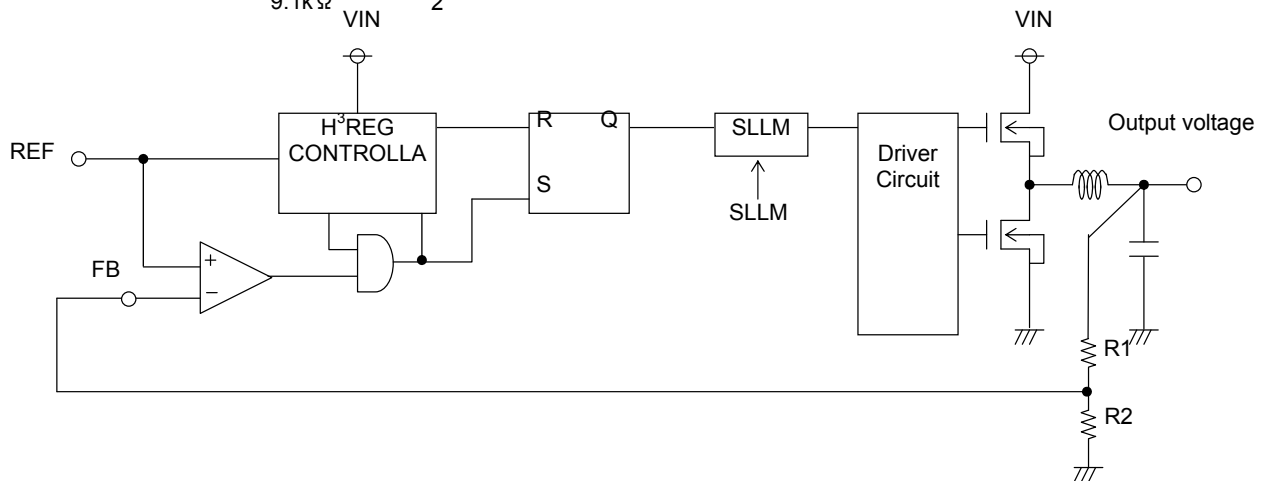
$$\Delta V_{OUT} = 5A \times 20 \times 10^{-3}\Omega = 0.1[V]$$

$$V_{OUT} = 0.7V \times (56k\Omega + 9.1k\Omega) / 9.1k\Omega + 1/2 \times 0.1V = 5.057[V]$$

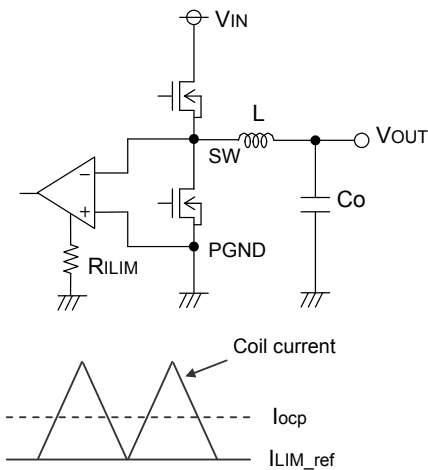
$$\Delta I_L = (20V - 5V) \times \frac{5V}{(2.5 \times 10^{-6}H \times 20V \times 300 \times 10^3Hz)} = 5(A)$$

$$\Delta V_{OUT} = 5A \times 20 \times 10^{-3}\Omega = 0.1(V)$$

$$V_{OUT} = 0.7V \times \frac{(51k\Omega + 9.1k\Omega)}{9.1k\Omega} + \frac{1}{2} \times 0.1V = 5.057(V)$$



6. Setting over current protection



Detecting the ON resistance (between SW and PGND voltage) of MOSFET at low side, it set the over current voltage protection. Over current reference voltage (I_{LIM_ref}) is determined as in formula(12) below.

$$I_{LIM_ref} = \frac{10k}{R_{LIM}[k\Omega] \times R_{ON}[m\Omega]} [A] \dots (12)$$

(R_{LIM} : Resistance for setting of over current voltage protection value[kΩ]
 R_{ON} : Low side ON resistance value of FET[mΩ])

However, the value, which set the over current protection actually, is determined by the formula (13) below.

$$I_{ocp} = I_{LIM_ref} + \frac{1}{2} \Delta I_L$$

$$= I_{LIM_ref} + \frac{1}{2} \times \frac{V_{IN} - V_o}{L} \times \frac{1}{f} \times \frac{V_o}{V_{IN}} \dots (13)$$

(ΔI_L :Coil ripple current[A], V_{IN} :Input voltage[V], V_o :Output voltage [V]
 f :Switching frequency [Hz], L :Coil inductance [H])

(Example)

If load current 5A want to be realized with $V_{IN}=6\sim 19V$, $V_{OUT}=5V$, $f=400$ kHz, $L=2.5\mu H$, $R_{ON}=20m\Omega$, the formula would be below.

$$I_{ocp} = \frac{10k}{R_{LIM}[k\Omega] \times R_{ON}[m\Omega]} + \frac{1}{2} \times \frac{V_{IN} - V_o}{L} \times \frac{1}{f} \times \frac{V_o}{V_{IN}} > 5$$

When $V_{IN}=6V$, I_{ocp} will be minimum(this is because the ripple current is also minimum) so that if each condition is input, the formula will be the following: $R_{LIM} < 109.1[k\Omega]$.

※To design the actual board, please consider enough margin for FET ON resistor dispersion, Coil inductor dispersion, IC over current reference value dispersion, frequency dispersion.

7. Relation between output voltage and TON time

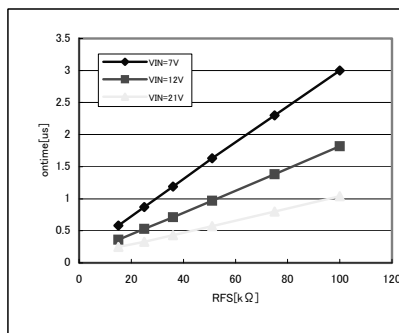
The BD9528AMUV, both 1ch and 2ch, are high efficiency synchronous regulator controller with frequency variable. T_{ON} time varies with Input voltage [VIN], output voltage [VOUT], and RFS of FS pin resistance. T_{ON} time is calculated with the following formula:

$$T_{on} = k \frac{V_{OUT} \cdot R_{FS}}{V_{IN}} \quad [nsec] \dots (14)$$

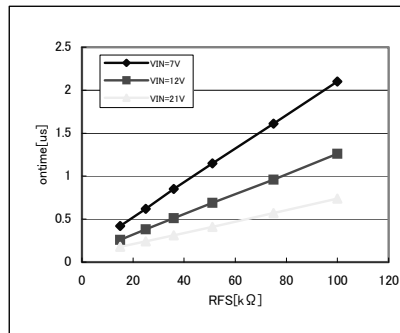
From T_{ON} time above, frequency on application condition is following:

$$Frequency = \frac{V_{OUT}}{V_{IN}} \times \frac{1}{T_{on}} \quad [kHz] \dots (15)$$

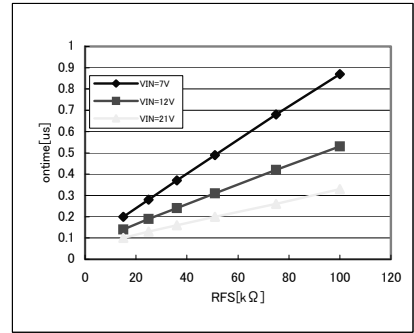
However, real-life considerations (such as the external MOSFET gate capacitor and switching speed) must be factored in as they affect the overall switching rise and fall time, so please confirm in reality by the instrument.



RFS – ontime(VOUT=5V)



RFS – ontime(VOUT=3.3V)



RFS – ontime(VOUT=1V)

8. Relation between output voltage and frequency

Because the BD9528AMUV is TON time focused regulator controller, if output current is up, switching loss of Coil, MOSFET and output capacitor will increase, and frequency will be fast.

Loss of each Coil, MOSFET and output capacitor are below.

$$\textcircled{1} \text{ Coil loss} = I_{OUT}^2 \times DCR$$

$$\textcircled{2} \text{ MOSFET(High Side) loss} = I_{OUT}^2 \times R_{onh} \times \frac{V_{OUT}}{V_{IN}}$$

$$\textcircled{3} \text{ MOSFET(Low Side) loss} = I_{OUT}^2 \times R_{onL} \times \left(1 - \frac{V_{OUT}}{V_{IN}}\right)$$

(Ronh : ON resistance of high side MOSFET, RonL : ON resistance of low side MOSFET,
ESR : Output capacitor equivalent cascade resistance)

Regarding those loss above and frequency formula, it is determined below.

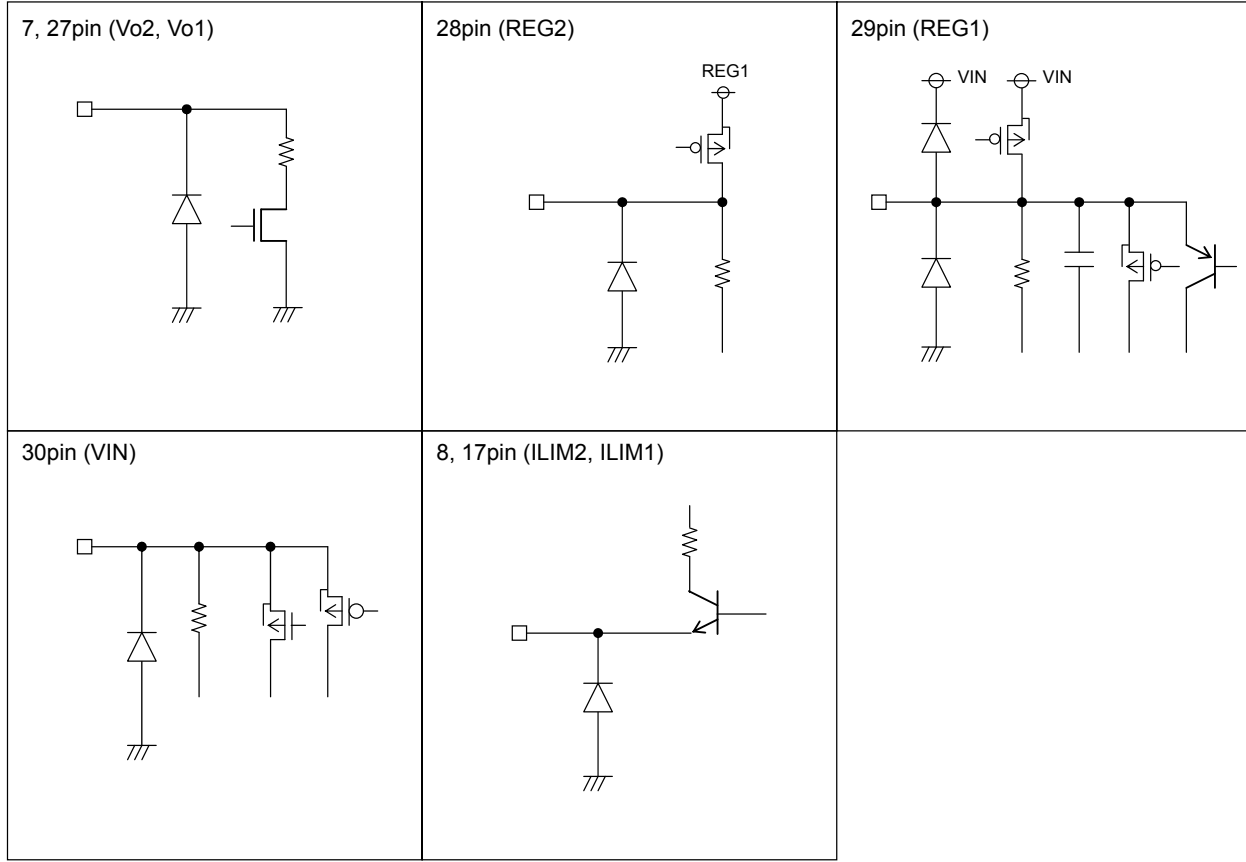
$$T (=1/\text{Freq}) = \frac{V_{IN} \times I_{OUT} \times T_{on}}{V_{OUT} \times I_{OUT} + \textcircled{1} + \textcircled{2} + \textcircled{3}} \dots (17)$$

However, real-life considerations (such as parasitic resistance element of Layout pattern) must be factored in as they affect the loss, please confirm in reality by the instrument.

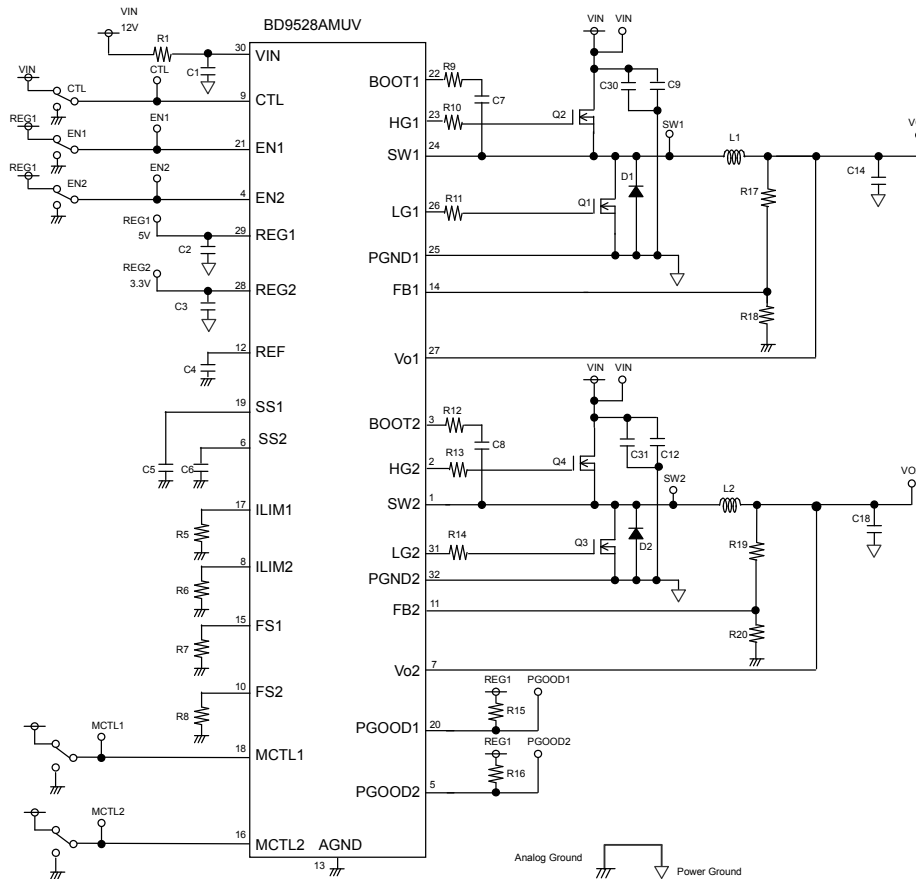
● I/O Equivalent Circuit

<p>1, 24pin (SW2, SW1)</p>	<p>2, 23pin (HG2, HG1)</p>	<p>3, 22pin (BOOT2, BOOT1)</p>
<p>4, 21pin (EN2, EN1)</p>	<p>5, 20pin (PGOOD2, PGOOD1)</p>	<p>6, 19pin (SS2, SS1)</p>
<p>12pin (REF)</p>	<p>11, 14pin (FB2, FB1)</p>	<p>10, 15pin (FS2, FS1)</p>
<p>16, 18pin (MCTL2, MCTL 1)</p>	<p>9pin (CTL)</p>	<p>26, 31pin (LG1, LG2)</p>

● I/O Equivalent Circuit



●Evaluation Board Circuit (Vo1=5V/8A, f1=300kHz Vo2=3.3V/8A f2=300kHz)



DESIGNATION	RATING	PART No.	COMPANY
R1	0Ω	-	-
R5	68kΩ	MCR03	ROHM
R6	68kΩ	MCR03	ROHM
R7	75kΩ	MCR03	ROHM
R8	75kΩ	MCR03	ROHM
R9	0Ω	-	-
R10	0Ω	-	-
R11	0Ω	-	-
R12	0Ω	-	-
R13	0Ω	-	-
R14	0Ω	-	-
R15	100kΩ	MCR03	ROHM
R16	100kΩ	MCR03	ROHM
R17	56kΩ	MCR03	ROHM
R18	9.1kΩ	MCR03	ROHM
R19	30kΩ	MCR03	ROHM
R20	8.2kΩ	MCR03	ROHM
C1	10uF(25V)	GRM31CB31E106KA75	MURATA
C2	10uF(10V)	GRM21BB10J106KD	MURATA
C3	10uF(6.3V)	GRM21BB10J106KD	MURATA

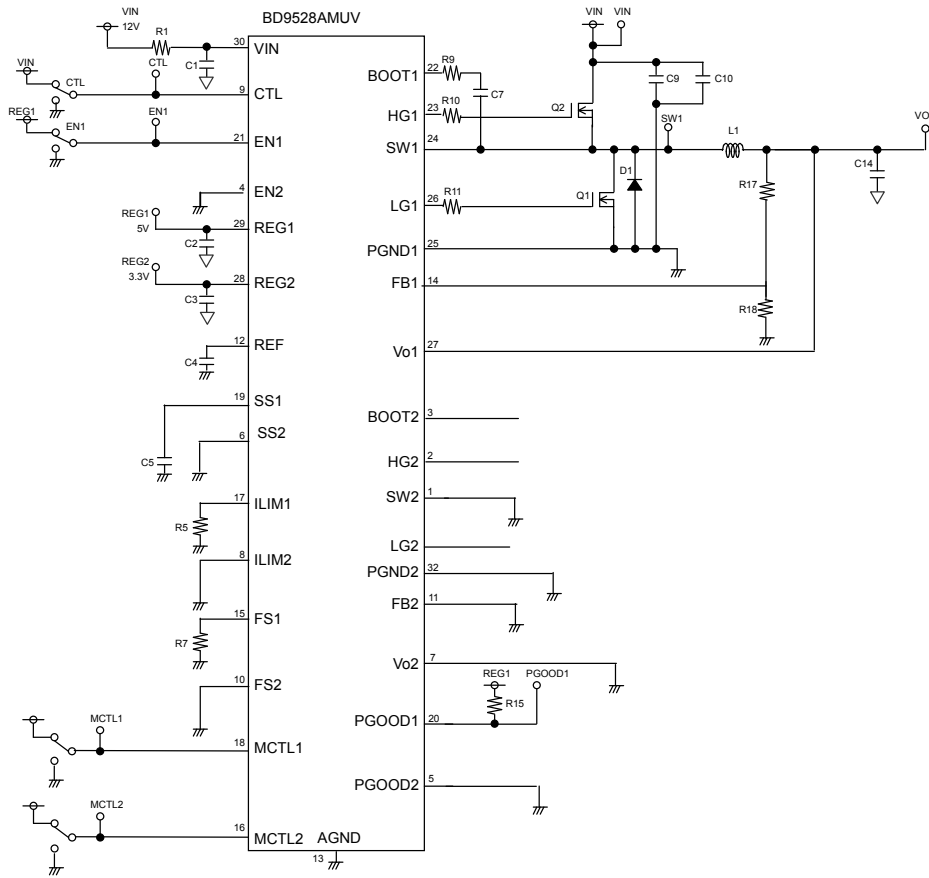
DESIGNATION	RATING	PART No.	COMPANY
C4	0.1uF(6.3V)	GRM21BB10J104KD	MURATA
C5	2200pF	GRM188B11H102KD	MURATA
C6	2200pF	GRM188B11H102KD	MURATA
C7	0.47uF	GRM188B11A474KD	MURATA
C8	0.47uF	GRM188B11A474KD	MURATA
C9	10uF(25V)	GRM31CB31E106KA75	MURATA
C12	10uF(25V)	GRM31CB31E106KA75	MURATA
C14	330uF	6TPE330MI	SANYO
C18	330uF	6TPE330MI	SANYO
C30	1000pF	GRM1882C1H102JA01	MURATA
C31	1000pF	GRM1882C1H102JA01	MURATA
(D1)	(Diode)	(RSX501L-20)	(ROHM)
(D2)	(Diode)	(RSX501L-20)	(ROHM)
L1	2.2uH	FDVE1040-2R2M	TOKO
L2	2.2uH	FDVE1040-2R2M	TOKO
Q1	FET	RMW130N03	ROHM
Q2	FET	RMW130N03	ROHM
Q3	FET	RMW130N03	ROHM
Q4	FET	RMW130N03	ROHM
U1	-	BD9528AMUV	ROHM

note) Without any value of ripple(about 10mV), there is a possibility of FB signal not acting stable switching due to the adoption of comparator control method. Please use in condition with enough ripple voltage either by ①reducing the L-value of coil, or ②using big output capacitor of ESR. Ripple voltage can be generated in FB terminal by adding capacitor in parallel to resistor (R17, R19) of FB terminal, but because it becomes delicate to noise from output (Vo1/Vo2) line it is not recommended. Also condition of stable action gets effected by layout of board, etc., so please give full attention.

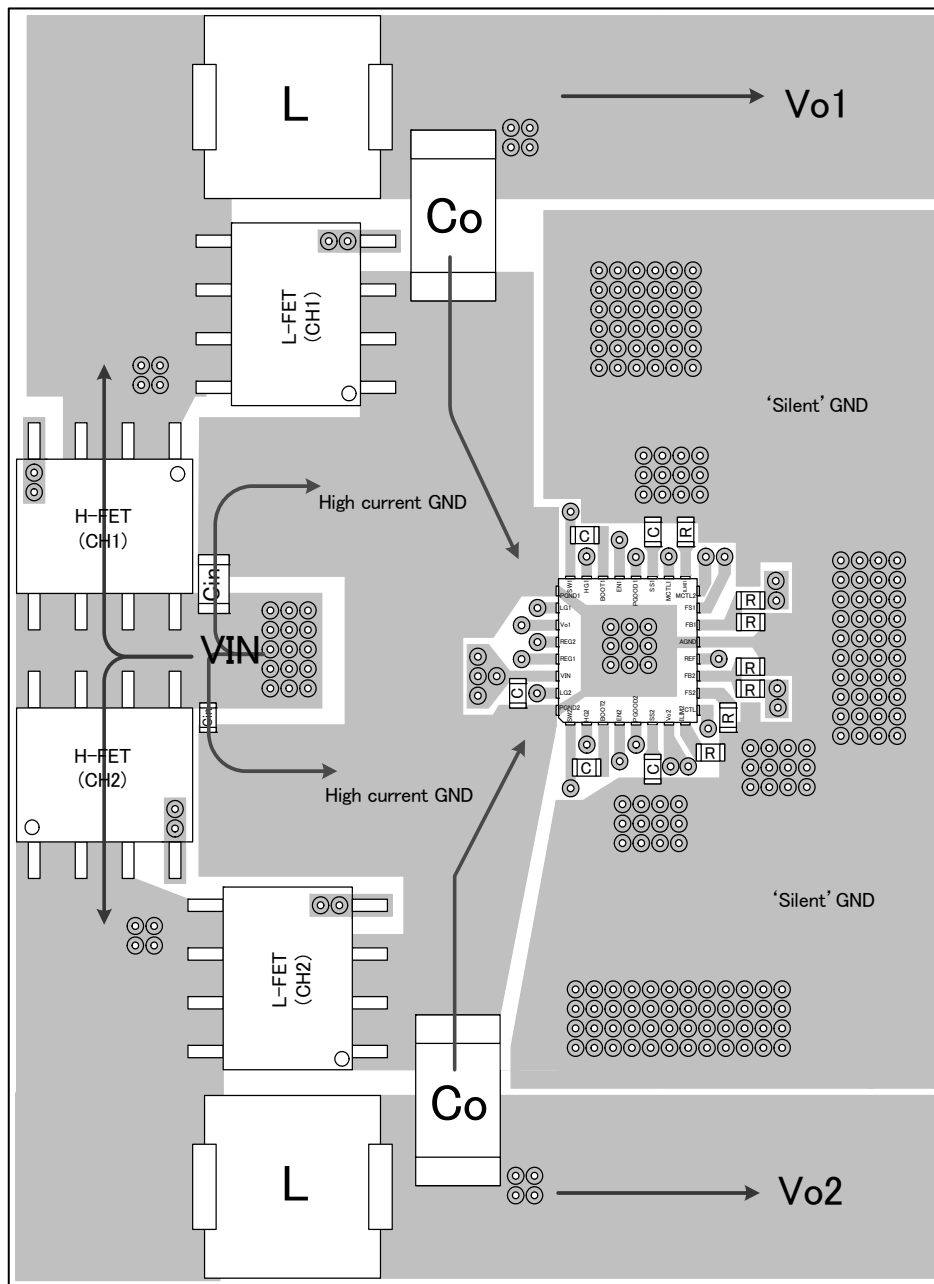
● Handling method of unused pin during using only DC/DC 1ch

If using only 1ch DC/DC and 2ch pin is set to be off at all times, please manage the unused pin as diagram below.

PIN No,	PIN name	Management
1	SW2	GND
2	HG2	Open
3	BOOT2	Open
4	EN2	GND
5	PGOOD2	GND
6	SS2	GND
7	Vo2	GND
8	ILIM2	GND
10	FS2	GND
11	FB2	GND
31	LG2	Open



● Example of PCB layout

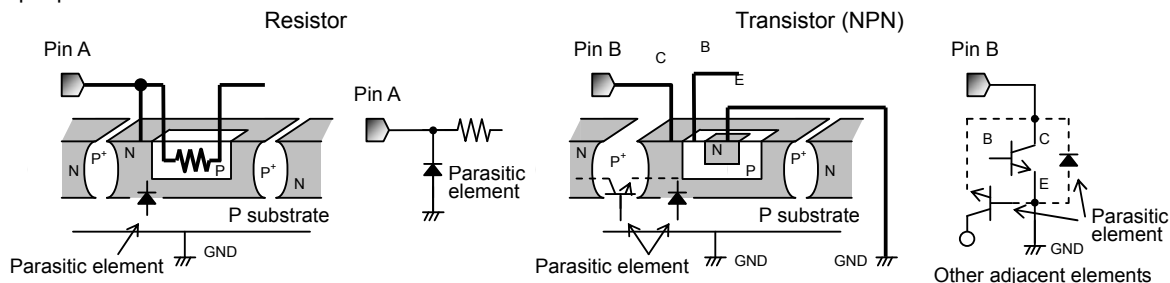


- ① Because high pulse current rush into power loop, consisted of input capacitor C_{in} , output inductor L and output capacitor C_o , this part layout should be built at parts side (upper side) including GND pattern. Also, drawing via formation in power loop line should be avoided. (The reason is that it will be a factor of noise because via oneself holds some nH parasitic inductance)
- ② FB pin has comparatively high impedance, so floating capacity should be minimum as possible. And feedback wiring from output should be taken properly, and shielding, not going through around L (because of magnetic). Please be careful in drawing.
- ③ Trace from SW node pin to inductor should be cut short. And both inductor element pattern should be kept away. (Closer wiring has SW node noise influence V_o by parasitic capacity between wiring). This layout example shows that SW node is outside, but if the application board will be like that, SW node should be shielded. Please consider the influence to other circuit.
- ④ Input capacitor C_{in} should be placed close to IC with low inductance. If that is difficult, please place a capacitor for high frequency removal with PKG size small like 0.1 μ F (ESL small).
- ⑤ 2nd layer and 3rd layer are plain GND, so connect from parts side GND to plain GND by low impedance with many via as possible. Inner GND is only for shielding, so that no to form loop for high current.
- ⑥ Please take GND pattern space widely, and design layout to be able to increase radiation efficiency.
- ⑦ FS pin and ILIM pin has high impedance. External resistor should be connected to "Silent GND".

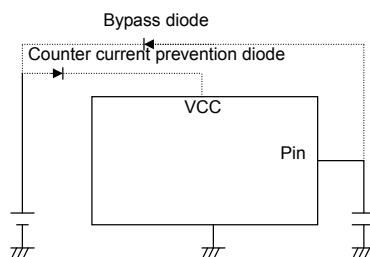
● Operation Notes and Precautions

- This integrated circuit is a monolithic IC, which (as shown in the figure below), has P⁺ isolation in the P substrate and between the various pins. A P-N junction is formed from this P layer and N layer of each pin, with the type of junction depending on the relation between each potential, as follows:
 - When GND > element A > element B, the P-N junction is a diode.
 - When element B > GND element A, the P-N junction operates as a parasitic transistor.

Parasitic diodes inevitably occur in the structure of the IC. The operation of parasitic diodes can result in mutual interference among circuits, as well as operating malfunctions and physical damage. Therefore, be careful to avoid methods by which parasitic diodes operate, such as applying a voltage lower than the GND (P substrate) voltage to an input pin.



- In some modes of operation, power supply voltage and pin voltage are reversed, giving rise to possible internal circuit damage. For example, when the external capacitor is charged, the electric charge can cause a VCC short circuit to the GND. In order to avoid these problems, inserting a VCC series countercurrent prevention diode or bypass diode between the various pins and the VCC is recommended.



- Absolute maximum rating**
Although the quality of this IC is rigorously controlled, the IC may be destroyed when applied voltage or operating temperature exceeds its absolute maximum rating. Because short mode or open mode cannot be specified when the IC is destroyed, it is important to take physical safety measures such as fusing if a special mode in excess of absolute rating limits is to be implemented.
- GND potential**
Make sure the potential for the GND pin is always kept lower than the potentials of all other pins, regardless of the operating mode.
- Thermal design**
In order to build sufficient margin into the thermal design, give proper consideration to the allowable loss (Power Dissipation) in actual operation.
- Short-circuits between pins and incorrect mounting position**
When mounting the IC onto the circuit board, be extremely careful about the orientation and position of the IC. The IC may be destroyed if it is incorrectly positioned for mounting. Do not short-circuit between any output pin and supply pin or ground, or between the output pins themselves. Accidental attachment of small objects on these pins will cause shorts and may damage the IC.
- Operation in strong electromagnetic fields**
Use in strong electromagnetic fields may cause malfunctions. Use extreme caution with electromagnetic fields.
- Thermal shutdown circuit**
This IC is provided with a built-in thermal shutdown (TSD) circuit, which is activated when the operating temperature reaches 175°C (standard value), and has a hysteresis range of -15°C (standard value). When the IC chip temperature rises to the threshold, all the inputs automatically turn OFF. Note that the TSD circuit is provided for the exclusive purpose shutting down the IC in the presence of extreme heat, and is not designed to protect the IC per se or guarantee performance when or after extreme heat conditions occur. Therefore, do not operate the IC with the expectation of continued use or subsequent operation once the TSD is activated.

9. Capacitor between output and GND

When a larger capacitor is connected between the output and GND, Vcc or VIN shorted with the GND or 0V line – for any reason – may cause the charged capacitor current to flow to the output, possibly destroying the IC. Do not connect a capacitor larger than 1000uF between the output and GND.

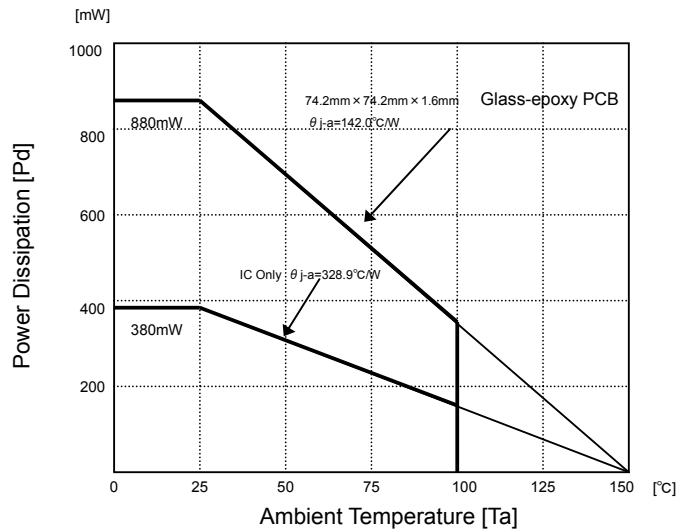
10. Precautions for board inspection

Connecting low-impedance capacitors to run inspections with the board may produce stress on the IC. Therefore, be certain to use proper discharge procedure before each process of the operation. To prevent electrostatic accumulation and discharge in the assembly process, thoroughly ground yourself and any equipment that could sustain ESD damage, and continue observing ESD-prevention procedures in all handling, transfer and storage operations. Before attempting to connect components to the test setup, make certain that the power supply is OFF. Likewise, be sure the power supply is OFF before removing any component connected to the test setup.

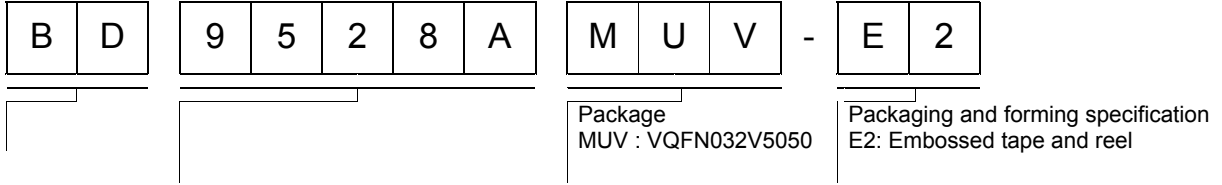
11. GND wiring pattern

When both a small-signal GND and high current GND are present, single-point grounding (at the set standard point) is recommended, in order to separate the small-signal and high current patterns, and to be sure the voltage change stemming from the wiring resistance and high current does not cause any voltage change in the small-signal GND. In the same way, care must be taken to avoid wiring pattern fluctuations in any connected external component GND.

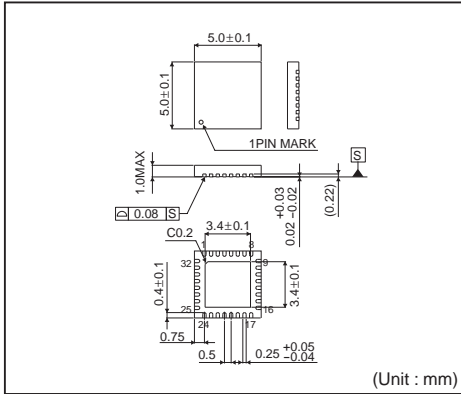
● Heat Dissipation Characteristics



● Ordering Part Number



VQFN032V5050



<Tape and Reel information>

Tape	Embossed carrier tape
Quantity	2500pcs
Direction of feed	E2 (The direction is the 1pin of product is at the upper left when you hold reel on the left hand and you pull out the tape on the right hand)

*Order quantity needs to be multiple of the minimum quantity.

Notes

No copying or reproduction of this document, in part or in whole, is permitted without the consent of ROHM Co.,Ltd.

The content specified herein is subject to change for improvement without notice.

The content specified herein is for the purpose of introducing ROHM's products (hereinafter "Products"). If you wish to use any such Product, please be sure to refer to the specifications, which can be obtained from ROHM upon request.

Examples of application circuits, circuit constants and any other information contained herein illustrate the standard usage and operations of the Products. The peripheral conditions must be taken into account when designing circuits for mass production.

Great care was taken in ensuring the accuracy of the information specified in this document. However, should you incur any damage arising from any inaccuracy or misprint of such information, ROHM shall bear no responsibility for such damage.

The technical information specified herein is intended only to show the typical functions of and examples of application circuits for the Products. ROHM does not grant you, explicitly or implicitly, any license to use or exercise intellectual property or other rights held by ROHM and other parties. ROHM shall bear no responsibility whatsoever for any dispute arising from the use of such technical information.

The Products specified in this document are intended to be used with general-use electronic equipment or devices (such as audio visual equipment, office-automation equipment, communication devices, electronic appliances and amusement devices).

The Products specified in this document are not designed to be radiation tolerant.

While ROHM always makes efforts to enhance the quality and reliability of its Products, a Product may fail or malfunction for a variety of reasons.

Please be sure to implement in your equipment using the Products safety measures to guard against the possibility of physical injury, fire or any other damage caused in the event of the failure of any Product, such as derating, redundancy, fire control and fail-safe designs. ROHM shall bear no responsibility whatsoever for your use of any Product outside of the prescribed scope or not in accordance with the instruction manual.

The Products are not designed or manufactured to be used with any equipment, device or system which requires an extremely high level of reliability the failure or malfunction of which may result in a direct threat to human life or create a risk of human injury (such as a medical instrument, transportation equipment, aerospace machinery, nuclear-reactor controller, fuel-controller or other safety device). ROHM shall bear no responsibility in any way for use of any of the Products for the above special purposes. If a Product is intended to be used for any such special purpose, please contact a ROHM sales representative before purchasing.

If you intend to export or ship overseas any Product or technology specified herein that may be controlled under the Foreign Exchange and the Foreign Trade Law, you will be required to obtain a license or permit under the Law.



Thank you for your accessing to ROHM product informations.
More detail product informations and catalogs are available, please contact us.

ROHM Customer Support System

<http://www.rohm.com/contact/>