

Z86C72/C92/L72/L92

IR MICROCONTROLLER

FEATURES

Part	ROM (KB)	RAM* (Bytes)	I/O	Voltage Range
Z86C72	16	748	31	4.5V to 5.5V
Z86C92	0	748	31	4.5V to 5.5V
Z86L72	16	748	31	2.0V to 3.9V
Z86L92	0	748	31	2.0V to 3.9V

Note: *General-Purpose

- Expanded Register File Control Registers
- Low Power Consumption - 40 mW (typical)
- Three Standby Modes:
 - STOP
 - HALT
 - Low Voltage
- Automatic External ROM Access Beyond 16K (Z86LX2/C72 Version)
- Special Architecture to Automate Both Generation and Reception of Complex Pulses or Signals:
 - One Programmable 8-Bit Counter/Timer with Two Capture Register
 - One Programmable 16-Bit Counter/Timer with One Capture Register
- Programmable Input Glitch Filter for Pulse Reception
- Five Priority Interrupts
 - Three External
 - Two Assigned to Counter/Timers
- Low Voltage Detection and Standby Mode
- Programmable Watch-Dog/Power-On Reset Circuits
- Two Independent Comparators with Programmable Interrupt Polarity
- On-Chip Oscillator that Accepts a Crystal, Ceramic Resonator, LC, RC (mask option), or External Clock Drive
- Mask Selectable 200 kOhms Pull-Ups on Ports 0, 2, 3
 - All Eight Port 2 Bits at one time or Not
 - Pull-Ups Automatically Disabled Upon Selecting Individual Pins as Outputs
- Maskable Mouse/Trackball Interface on P00 Through P03 is available on the L72 version.
- 32 kHz Oscillator Mask Option

GENERAL DESCRIPTION

The Z86LX2/CX2 family of IR (Infrared) are ROM/ROM-less-based members of the Z8[®] MCU single-chip microcontroller family with 768 bytes of internal RAM. The differentiating factor between these devices is the availability of RAM, ROM and package options. The use of external memory enables these Z8 microcontrollers to be used where code flexibility is required. Offering the 5V versions (Z86CXX) and gives optimum performance in both the low and high voltage ranges. Zilog's CMOS microcontrollers

offer fast execution, efficient use of memory, sophisticated interrupts, input/output bit manipulation capabilities, automated pulse generation/reception, and internal key-scan pull-up resistors. The Z86LX2/CX2 product line offers easy hardware/software system expansion with cost-effective and low power consumption.

The Z86LX2/CX2 architecture is based on Zilog's 8-bit microcontroller core with an Expanded Register File to allow

GENERAL DESCRIPTION (Continued)

access to register mapped peripherals, I/O circuits, and powerful counter/timer circuitry. The Z86C72/C92/L72/L92 offers a flexible I/O scheme, an efficient register and address space structure, and a number of ancillary features that are useful in many consumer, automotive, computer peripheral, and battery operated hand-held applications.

Many applications demand powerful I/O capabilities. The Z86LX2/CX2 family fulfills this with three package options in which the L72 version provides 31 pins of dedicated input and output. These lines are grouped into four ports. Each port consists of eight lines (Port 3 has seven lines) and is configurable under software control to provide timing, status signals, parallel I/O with or without handshake, and an address/data bus for interfacing external memory.

There are five basic address spaces available to support a wide range of configurations: Program Memory, Register

File, Expanded Register File, Extended Data RAM and External Memory. The register file is composed of 256 bytes of RAM. It includes four I/O port registers, 16 control and status registers and the rest are General-Purpose registers. The Extended Data RAM adds 512 bytes of usable general-purpose registers. The Expanded Register File consists of two additional register groups (F and D).

To unburden the program from coping with such real-time problems as generating complex waveforms or receiving and demodulating complex waveform/pulses, the Z86LX2/CX2 family offers a new intelligent counter/timer architecture with 8-bit and 16-bit counter/timers (Figure 1). Also included are a large number of user-selectable modes, and two on-board comparators to process analog signals with separate reference voltages (Figure 2).

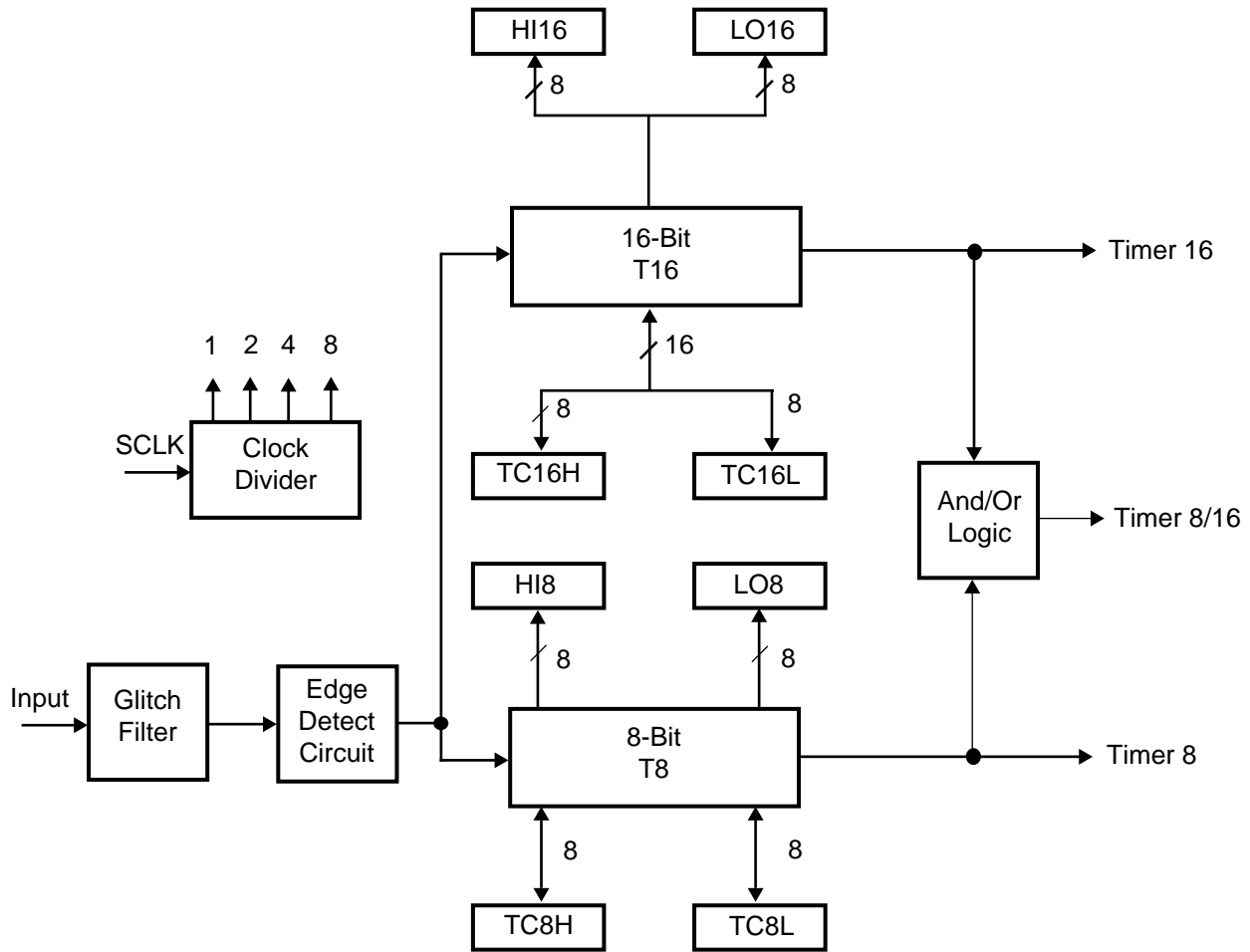


Figure 1. Counter/Timer Block Diagram

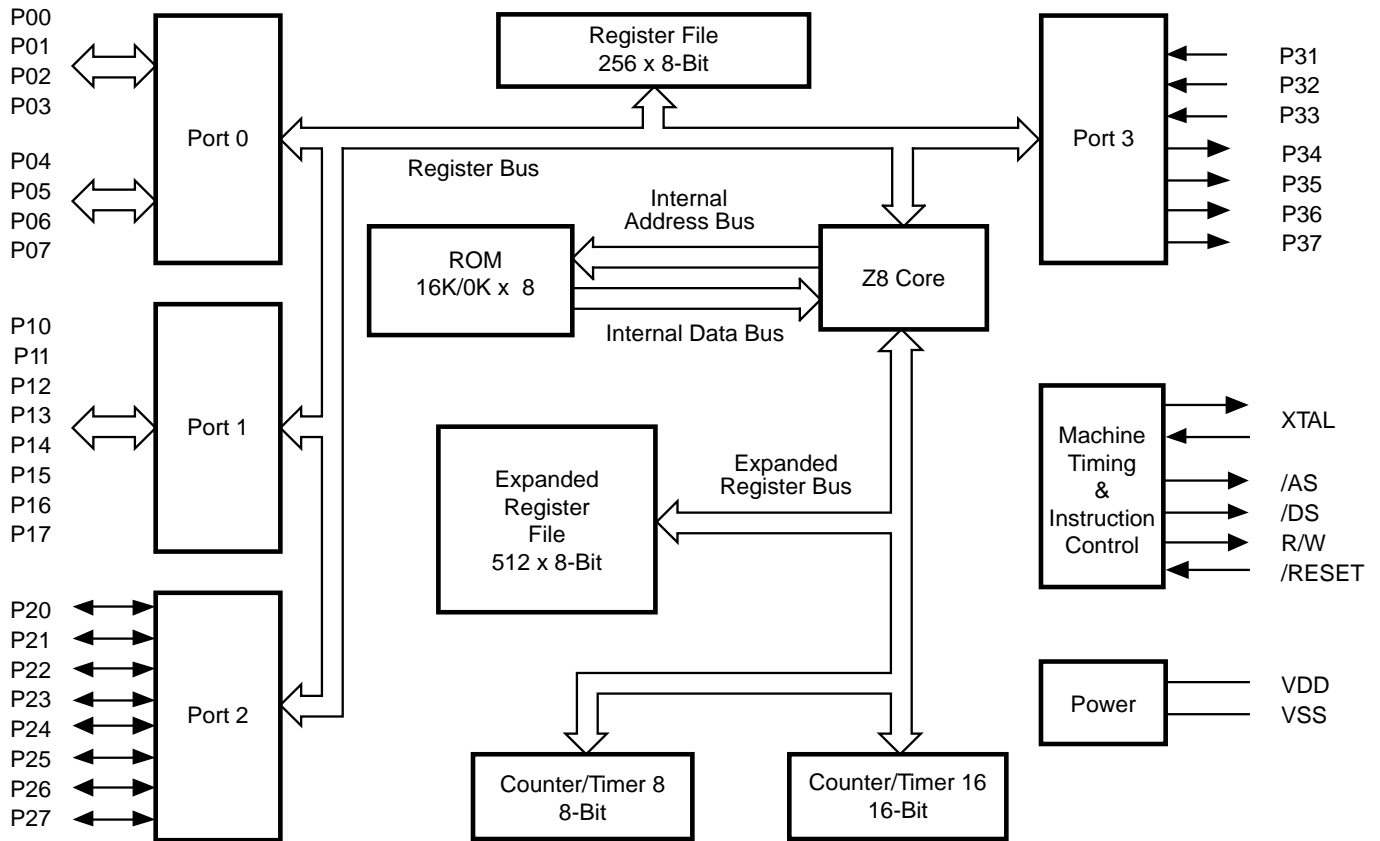


Figure 2. Functional Block Diagram

Note: All Signals with a preceding front slash, "/", are active Low, e.g., B/*W* (WORD is active Low); /B/*W* (BYTE is active Low, only).

Power connections follow conventional descriptions below:

Connection	Circuit	Device
Power	V _{CC}	V _{DD}
Ground	GND	V _{SS}

PIN DESCRIPTION

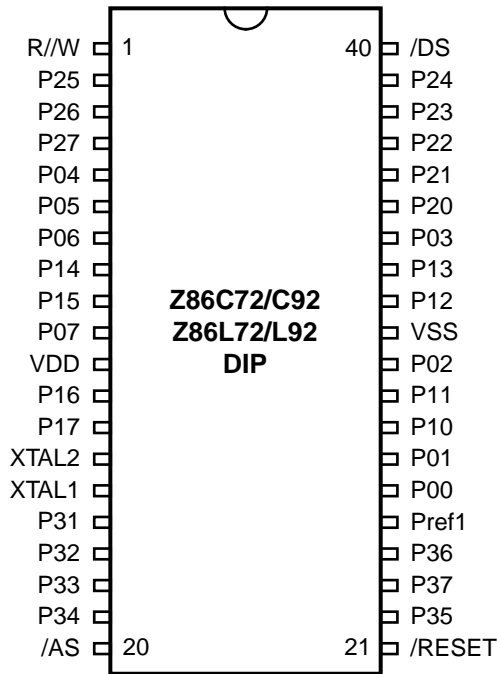


Figure 3. 40-Pin DIP Pin Assignments

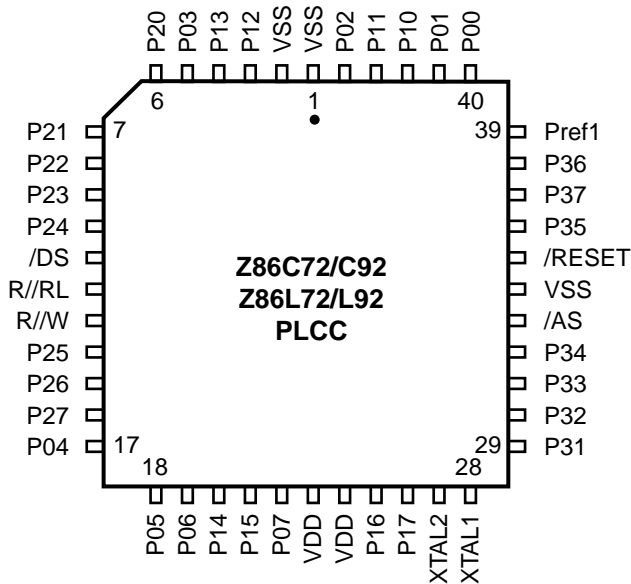


Figure 4. 44-Pin PLCC Pin Assignments

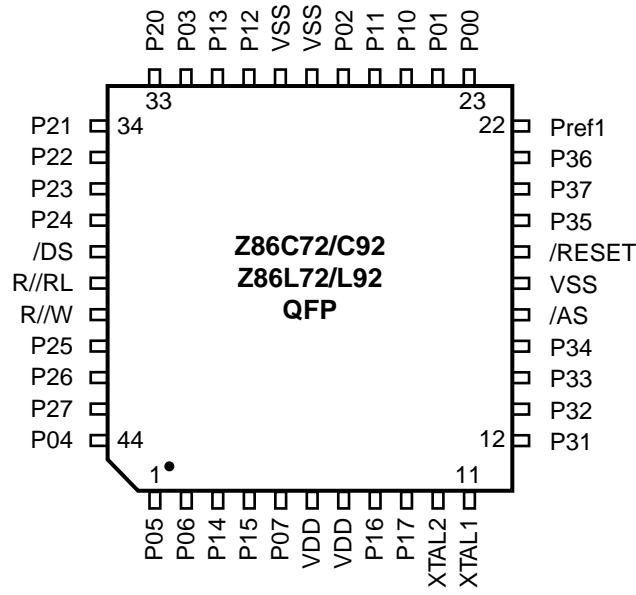


Figure 5. 44-Pin QFP Pin Assignments

PIN DESCRIPTION (Continued)

Table 1. Pin Identification

40-Pin DIP #	44-Pin PLCC	44-Pin QFP#	Symbol	Direction	Description
26	40	23	P00	Input/Output	Port 0 is Nibble Programmable Port 0 can be configured as A15-A8 external program ROM/DATA Address Bus. Port 0 can be configured as a mouse/trackball input.
27	41	24	P01	Input/Output	
30	44	27	P02	Input/Output	
34	5	32	P03	Input/Output	
5	17	44	P04	Input/Output	
6	18	1	P05	Input/Output	
7	19	2	P06	Input/Output	
10	22	5	P07	Input/Output	
28	42	25	P10	Input/Output	Port 1 is byte programmable Port 1 can be configured as multiplexed A7-A0/D7-D0 external program ROM Address/Data Bus.
29	43	26	P11	Input/Output	
32	3	30	P12	Input/Output	
33	4	31	P13	Input/Output	
8	20	3	P14	Input/Output	
9	21	4	P15	Input/Output	
12	25	8	P16	Input/Output	
13	26	9	P17	Input/Output	
35	6	33	P20	Input/Output	Port 2 pins are individually configurable as input or output.
36	7	34	P21	Input/Output	
37	8	35	P22	Input/Output	
38	9	36	P23	Input/Output	
39	10	37	P24	Input/Output	
2	14	41	P25	Input/Output	
3	15	42	P26	Input/Output	
4	16	43	P27	Input/Output	
16	29	12	P31	Input	IRQ2/Modulator Input
17	30	13	P32	Input	IRQ0
18	31	14	P33	Input	IRQ1
19	32	15	P34	Output	T8 output
22	36	19	P35	Output	T16 output
24	38	21	P36	Output	T8/T16 output
23	37	20	P37	Output	
20	33	16	/AS	Output	Address Strobe
40	11	38	/DS	Output	Data Strobe
1	13	40	R/W	Output	Read/Write
21	35	18	/RESET	Input	Reset
15	28	11	XTAL1	Input	Crystal, Oscillator Clock
14	27	10	XTAL2	Output	Crystal, Oscillator Clock
11	23,24	6,7	V _{DD}		Power Supply
31	1,2,34	17,28,29	V _{SS}		Ground
25	39	22	Pref1	Input	Comparator 1 Reference
	12	39	R//RL	Input	ROM/ROMless

ABSOLUTE MAXIMUM RATINGS

Symbol	Description	Min	Max	Units
V_{CC}	Supply Voltage (*)	-0.3	+7.0	V
T_{STG}	Storage Temp.	-65°	+150°	C
T_A	Oper. Ambient Temp.		†	C

Notes:

* Voltage on all pins with respect to GND

† See Ordering Information

Stresses greater than those listed under Absolute Maximum Ratings may cause permanent damage to the device. This is a stress rating only; operation of the device at any condition above those indicated in the operational sections of these specifications is not implied. Exposure to absolute maximum rating conditions for an extended period may affect device reliability.

STANDARD TEST CONDITIONS

The characteristics listed below apply for standard test conditions as noted. All voltages are referenced to GND. Positive current flows into the referenced pin (Figure 6).

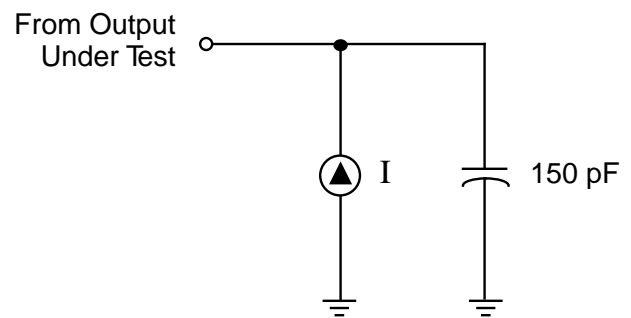


Figure 6. Test Load Diagram

CAPACITANCE

$T_A = 25^\circ\text{C}$, $V_{CC} = \text{GND} = 0\text{V}$, $f = 1.0\text{ MHz}$, unmeasured pins returned to GND.

Parameter	Max
Input capacitance	12 pF
Output capacitance	12 pF
I/O capacitance	12 pF

DC CHARACTERISTICS (Z86L72/L92 LOW VOLTAGE SPECIFICATIONS)

Preliminary

Sym	Parameter	V _{CC}	T _A = 0°C to +70°C		Typ @ 25°C	Units	Conditions	Notes
			Min	Max				
	Max Input Voltage	2.0V		7		V	I _{IN} <250 μA	
		3.9V		7		V	I _{IN} <250 μA	
V _{CH}	Clock Input High Voltage	2.0V	0.8 V _{CC}	V _{CC} + 0.3		V	Driven by External Clock Generator	
		3.9V	0.8 V _{CC}	V _{CC} + 0.3		V	Driven by External Clock Generator	
V _{CL}	Clock Input Low Voltage	2.0V	V _{SS} - 0.3	0.2 V _{CC}		V	Driven by External Clock Generator	
		3.9V	V _{SS} - 0.3	0.2 V _{CC}		V	Driven by External Clock Generator	
V _{IH}	Input High Voltage	2.0V	0.7 V _{CC}	V _{CC} + 0.3	0.5V _{CC}	V		
		3.9V	0.7 V _{CC}	V _{CC} + 0.3	0.5V _{CC}	V		
V _{IL}	Input Low Voltage	2.0V	V _{SS} - 0.3	0.2 V _{CC}	0.5V _{CC}	V		
		3.9V	V _{SS} - 0.3	0.2 V _{CC}	0.5V _{CC}	V		
V _{OH1}	Output High Voltage	2.0V	V _{CC} - 0.4		1.7	V	I _{OH} = -0.5 mA	
		3.9V	V _{CC} - 0.4		3.7	V	I _{OH} = -0.5 mA	
V _{OH2}	Output High Voltage (P36, P37, P00, P01)	2.0V	V _{CC} - 0.8			V	I _{OH} = -7 mA	
		3.9V	V _{CC} - 0.8			V	I _{OH} = -7 mA	

Sym	Parameter	V _{CC}	T _A = 0°C to +70°C		Typ @	Units	Conditions	Notes
			Min	Max	25°C			
V _{OL1}	Output Low Voltage	2.0V		0.4	0.1	V	I _{OL} = 1.0 mA	
		3.9V		0.4	0.2	V	I _{OL} = 4.0 mA	
V _{OL2*}	Output Low Voltage	2.0V		0.8	0.5	V	I _{OL} = 5.0 mA	
		3.9V		0.8	0.3	V	I _{OL} = 7.0 mA	
V _{OL2}	Output Low Voltage(P36, P37,P00,P01)	2.0V		0.8	0.3	V	I _{OL} = 10 mA	
		3.9V		0.8	0.2	V	I _{OL} = 10 mA	
V _{RH}	Reset Input High Voltage	2.0V	0.8 V _{CC}	V _{CC}	1.5	V		
		3.9V	0.8 V _{CC}	V _{CC}	2.0	V		
V _{RI}	Reset Input Low Voltage	2.0V	V _{SS} - 0.3	0.2 V _{CC}	0.5	V		
		3.9V	V _{SS} - 0.3	0.2 V _{CC}	0.9	V		
V _{OFFSET}	Comparator Input Offset Voltage	2.0V		25	10	mV		
		3.9V		25	10	mV		
I _{IL}	Input Leakage	2.0V	-1	1	< 1	μA	V _{IN} = O _V , V _{CC}	
		3.9V	-1	1	< 1	μA	V _{IN} = O _V , V _{CC}	
I _{OL}	Output Leakage	2.0V	-1	1	< 1	μA	V _{IN} = O _V , V _{CC}	
		3.9V	-1	1	< 1	μA	V _{IN} = O _V , V _{CC}	
I _{IR}	Reset Input Pull-Up Current	2.0V		-230	-50	μA	V _{IN} = O _V	
		3.9V		-400	-90	μA	V _{IN} = O _V	
I _{CC}	Supply Current	2.0V		10	4	mA	@ 8.0 MHz	1,2
		3.9V		15	10	mA	@ 8.0 MHz	1,2
		2.0V		250	100	μA	@ 32 kHz	1,2,8
		3.9V		850	500	μA	@ 32 kHz	

Sym	Parameter	V _{CC}	T _A = 0°C to +70°C		Typ @ 25°C	Units	Conditions	Notes
			Min	Max				
I _{CC1}	Standby Current (WDT Off)	2.0V		3	1	mA	HALT Mode V _{IN} = O _V , V _{CC} @ 8.0 MHz	1,2
		3.9V		5	4	mA	HALT Mode V _{IN} = O _V , V _{CC} @ 8.0 MHz	1,2
		2.0V		2	0.8	mA	Clock Divide-by- 16 @ 8.0 MHz	1,2
		3.9V		4	2.5	mA	Clock Divide-by- 16 @ 8.0 MHz	1,2
I _{CC2}	Standby Current	2.0V		8	2	μA	STOP Mode V _{IN} = O _V , V _{CC} WDT is not Running	3,5
		3.9V		10	3	μA	STOP Mode V _{IN} = O _V , V _{CC} WDT is not Running	3,5
		2.0V		500	310	μA	STOP Mode V _{IN} = O _V , V _{CC} WDT is not Running	
		3.9V		800	600	μA	STOP Mode V _{IN} = O _V , V _{CC} WDT is not Running	
T _{POR}	Power-On Reset	2.0V	12	75	18	ms		
		3.9V	5	20	7	ms		
V _{RAM}	Static RAM Data Retention Voltage	V _{ram}	0.8		0.5	V		6
V _{LV} (V _{BO})	V _{CC} Low Voltage Protection			2.15	1.7	V	8 MHz max Ext. CLK Freq.	4
Notes:	I_{CC1}	Typ	Max	Unit	Frequency			
	Crystal/Resonator	3.0 mA	5	mA	8.0 MHz			
	External Clock Drive	0.3 mA	5	mA	8.0 MHz			

1. All outputs unloaded, inputs at rail
2. CL1 = CL2 = 100 pF
3. Same as note [4] except inputs at V_{CC}
4. The V_{LV} increases as the temperature decreases
5. Oscillator stopped
6. Oscillator stops when V_{CC} falls below V_{LV} limit
7. 32 kHz clock driver input

* All Outputs excluding P00, P01, P36, and P37

DC CHARACTERISTICS (Z86C72/C92 SPECIFICATIONS)

Preliminary

Sym	Parameter	V _{CC}	T _A = 0°C to +70°C		Typ @ 25°C	Units	Conditions	Notes
			Min	Max				
	Max Input Voltage	4.5V		7		V	I _{IN} 250 μA	
		5.5V		7		V	I _{IN} 250 μA	
V _{CH}	Clock Input High Voltage	4.5V	0.9 V _{CC}	V _{CC} + 0.3		V	Driven by External Clock Generator	
		5.5V	0.9 V _{CC}	V _{CC} + 0.3		V		
V _{CL}	Clock Input Low Voltage	4.5V	V _{SS} - 0.3	0.2 V _{CC}		V	Driven by External Clock Generator	
		5.5V	V _{SS} - 0.3	0.2 V _{CC}		V		
V _{IH}	Input High Voltage	4.5V	0.7 V _{CC}	V _{CC} + 0.3	0.5V _{CC}	V	Driven by External Clock Generator	
		5.5V	0.7 V _{CC}	V _{CC} + 0.3	0.5V _{CC}	V		
V _{IL}	Input Low Voltage	4.5V	V _{SS} - 0.3		0.5V _{CC}	V		
		5.5V	V _{SS} - 0.3		0.5V _{CC}	V		
V _{OH1}	Output High Voltage	4.5V	V _{CC} - 0.4		4.4	V	I _{OH} = -0.5 mA	
		5.5V	V _{CC} - 0.4		5.4	V		I _{OH} = -0.5 mA
V _{OH2}	Output High Voltage (P36, P37)	4.5V	V _{CC} - 0.8			V	I _{OH} = -7 mA	
		5.5V	V _{CC} - 0.8			V		I _{OH} = -7 mA
V _{OL1}	Output Low Voltage	4.5V		0.4	0.1	V	I _{OL} = 1.0 mA	
		5.5V		0.4	0.2	V		I _{OL} = 4.0 mA
V _{OL2*}	Output Low Voltage	4.5V		0.8	0.3	V	I _{OL} = 5.0 mA	
		3.9 V		0.8	0.4	V		I _{OL} = 7.0 mA
V _{OL2}	Output Low Voltage (P00, P01, P36, P37)	4.5V		0.8	0.3	V	I _{OL} = 10 mA	
		5.5V		0.8	0.2	V		
V _{RH}	Reset Input High Voltage	4.5V	0.8 V _{CC}	V _{CC}	2.5	V		
		5.5V	0.8 V _{CC}	V _{CC}	3.0	V		
V _{RI}	Reset Input Low Voltage	4.5V	V _{SS} - 0.3	0.2 V _{CC}	0.5			
		5.5V	V _{SS} - 0.3	0.2 V _{CC}	0.9			
V _{OFFSET}	Comparator Input Offset Voltage	4.5V		25	10	mV		
		5.5V		25	10	mV		
I _{IL}	Input Leakage	4.5V	-1	1	<1	μA	V _{IN} = O _V , V _{CC}	
		5.5V	-1	1	<1	μA		V _{IN} = O _V , V _{CC}
I _{OL}	Output Leakage	4.5V	-1	1	<1	μA	V _{IN} = O _V , V _{CC}	
		5.5V	-1	1	<1	μA		V _{IN} = O _V , V _{CC}
I _{IR}	Reset Input Current	4.5V		-500		μA		
		5.5V		-800		μA		
I _{CC}	Supply Current	4.5V		20		mA	@8.0 MHz	1,2
		5.5V		30		mA	@8.0 MHz	1.2
	WDT Off	4.5V		1000		μA	@ 32 kHz	1,2,8
		5.5V		1250		μA	@ 32 kHz	1,2,8

DC CHARACTERISTICS (Z86C72/C92 SPECIFICATIONS) (Continued)

Sym	Parameter	V _{CC}	T _A = 0°C to +70°C		Typ @ 25°C	Units	Conditions	Notes
			Min	Max				
I _{CC1}	Standby Current (WDT Off)	4.5V		6	2	mA	HALT Mode V _{IN} = O _V , V _{CC} @ 8.0 MHz	1,2
		5.5V		8	5	mA	HALT Mode	1,2
		4.5V		5	1.0	mA	V _{IN} = O _V , V _{CC} @ 8.0 MHz	1,2
		5.5V		7	3.0	mA	Clock Divide-by- 16 @ 8.0 MHz	1,2
								Clock Divide-by- 16 @ 8.0 MHz
I _{CC2}	Standby Current	4.5V		8	2	μA	STOP Mode V _{IN} = O _V , V _{CC} WDT is not Running	3,5
		5.5V		10	3	μA	STOP Mode	3,5
		4.5V		500	310	μA	V _{IN} = O _V , V _{CC}	3,5
		5.5V		800	600	μA	WDT is not Running	
								STOP Mode V _{IN} = O _V , V _{CC} WDT is Running
T _{POR}	Power-On Reset	4.5V	5.0	75	8.0	ms		
		5.5V	4.0	20	6.0	ms		
V _{RAM}	Static RAM Data Retention Voltage	V _{RAM}	0.8		0.5	V		6
V _{LV} (V _{BO})	V _{CC} Low Voltage Protection			2.15	1.7	V	8 MHz max Ext. CLK Freq.	4
Notes:	I_{CC1}	Typ	Max	Unit	Frequency			
	Crystal/Resonator	3.5 mA	5	mA	8.0 MHz			
	External Clock Drive	0.8 mA	5	mA	8.0 MHz			

1. All outputs unloaded, inputs at rail
2. CL1 = CL2 = 100 pF
3. Same as note [4] except inputs at V_{CC}
4. The V_{LV} increases as the temperature decreases
5. Oscillator stopped
6. Oscillator stops when V_{CC} falls below V_{LV} limit
7. 32 kHz clock driver input

* All Outputs excluding P00, P01, P36, and P37

AC CHARACTERISTICS

External I/O or Memory Read and Write Timing Diagram

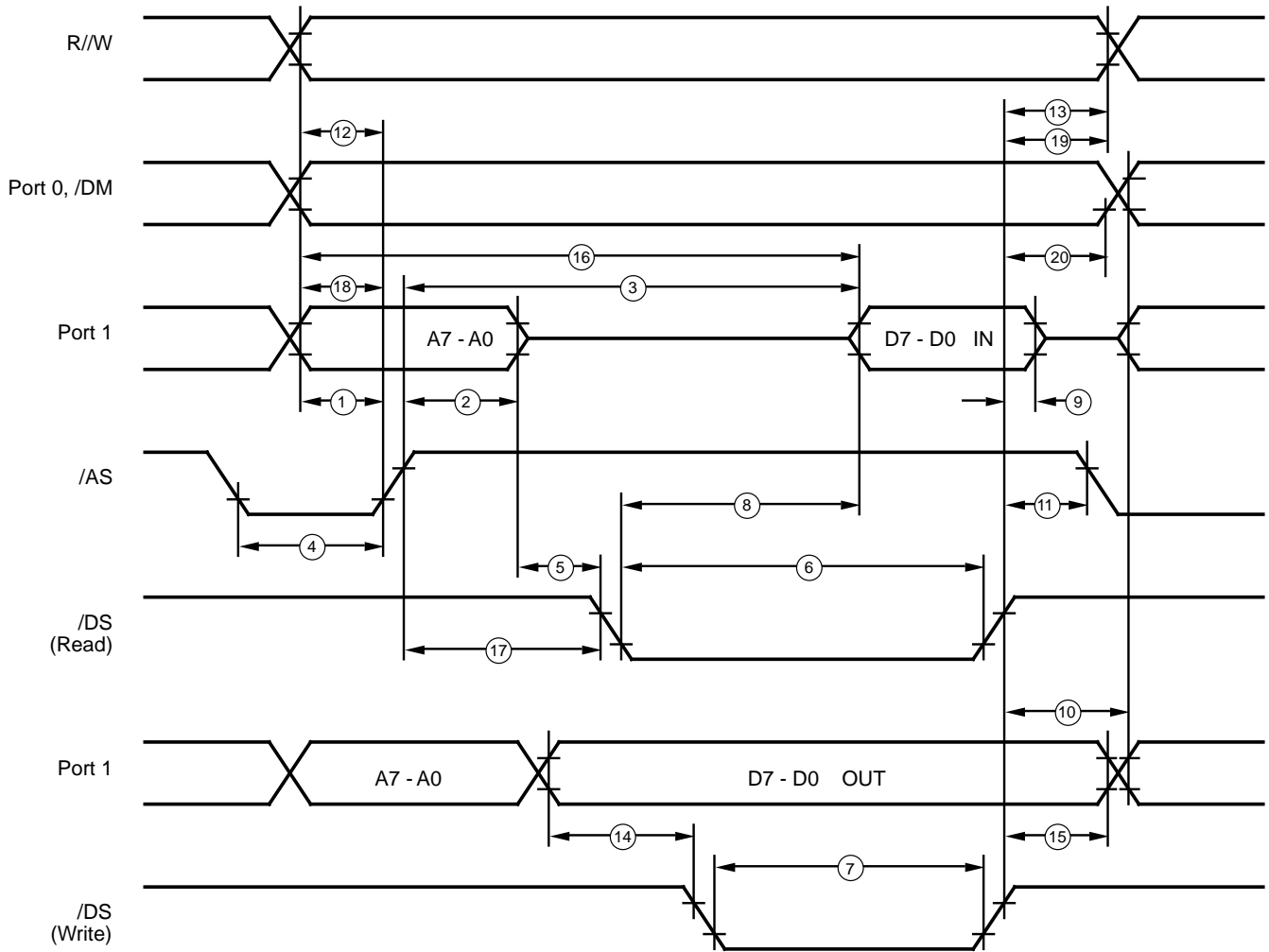


Figure 7. External I/O or Memory Read/Write Timing

AC CHARACTERISTICS (Z86L72/L92 LOW VOLTAGE SPECIFICATIONS)

Preliminary

External I/O or Memory Read and Write Timing Table

$T_A = 0^\circ\text{C to } +70^\circ\text{C}$ 8.0MHz							
No	Symbol	Parameter	V_{CC}	Min	Max	Units	Notes
1	TdA(AS)	Address Valid to /AS Rising Delay	2.0V	55		ns	2
			3.9V	55		ns	
2	TdAS(A)	/AS Rising to Address Float Delay	2.0V	70		ns	2
			3.9V	70		ns	
3	TdAS(DR)	/AS Rising to Read Data Required Valid	2.0V		400	ns	1,2
			3.9V		400	ns	
4	TwAS	/AS Low Width	2.0V	80		ns	2
			3.9V	80		ns	
5	Td	Address Float to /DS Falling	2.0V	0		ns	
			3.9V	0		ns	
6	TwDSR	/DS (Read) Low Width	2.0V	300		ns	1,2
			3.9V	300		ns	
7	TwDSW	/DS (Write) Low Width	2.0V	165		ns	1,2
			3.9V	165		ns	
8	TdDSR(DR)	/DS Falling to Read Data Required Valid	2.0V		260	ns	1,2
			3.9V		260	ns	
9	ThDR(DS)	Read Data to /DS Rising Hold Time	2.0V	0		ns	2
			3.9V	0		ns	
10	TdDS(A)	/DS Rising to Address Active Delay	2.0V	85		ns	2
			3.9V	95		ns	
11	TdDS(AS)	/DS Rising to /AS Falling Delay	2.0V	60		ns	2
			3.9V	70		ns	
12	TdR/W(AS)	R/W Valid to /AS Rising Delay	2.0V	70		ns	2
			3.9V	70		ns	
13	TdDS(R/W)	/DS Rising to R/W Not Valid	2.0V	70		ns	2
			3.9V	70		ns	
14	TdDW(DSW)	Write Data Valid to /DS Falling (Write) Delay	2.0V	80		ns	2
			3.9V	80		ns	
15	TdDS(DW)	/DS Rising to Write Data Not Valid Delay	2.0V	70		ns	2
			3.9V	80		ns	
16	TdA(DR)	Address Valid to Read Data Required Valid	2.0V		475	ns	1,2
			3.9V		475	ns	
17	TdAS(DS)	/AS Rising to /DS Falling Delay	2.0V	100		ns	2
			3.9V	100		ns	
18	TdDM(AS)	/DM Valid to /AS Falling Delay	2.0V	55		ns	2
			3.9V	55		ns	
19	TdDS(DM)	/DS Rise to /DM Valid Delay	2.0V	70		ns	
			3.9V	70		ns	
20	ThDS(A)	/DS Rise to Address Valid Hold Time	2.0V	70		ns	
			3.9V	70			

Notes:

1. When using extended memory timing add 2 TpC
2. Timing numbers given are for minimum TpC

Standard Test Load

All timing references use 0.9 V_{CC} for a logic 1 and 0.1 V_{CC} for a logic 0

AC CHARACTERISTICS (Z86C72/C92 SPECIFICATIONS)**Preliminary****External I/O or Memory Read and Write Timing Table**

				$T_A = 0^\circ\text{C to } +70^\circ\text{C}$			
				16.0 MHz			
No	Symbol	Parameter	V_{CC}	Min	Max	Units	Notes
1	TdA(AS)	Address Valid to /AS Rising Delay	4.5V	25		ns	2
			5.5V	25		ns	
2	TdAS(A)	/AS Rising to Address Float Delay	4.5V	35		ns	2
			5.5V	35		ns	
3	TdAS(DR)	/AS Rising to Read Data Required Valid	4.5V		180	ns	1,2
			5.5V		180	ns	
4	TwAS	/AS Low Width	4.5V	40		ns	2
			5.5V	40		ns	
5	Td	Address Float to /DS Falling	4.5V	0		ns	
			5.5V	0		ns	
6	TwDSR	/DS (Read) Low Width	4.5V	135		ns	1,2
			5.5V	135		ns	
7	TwDSW	/DS (Write) Low Width	4.5V	80		ns	1,2
			5.5V	80		ns	
8	TdDSR(DR)	/DS Falling to Read Data Required Valid	4.5V		75	ns	1,2
			5.5V		75	ns	
9	ThDR(DS)	Read Data to /DS Rising Hold Time	4.5V	0		ns	2
			5.5V	0		ns	
10	TdDS(A)	/DS Rising to Address Active Delay	4.5V	50		ns	2
			5.5V	50		ns	
11	TdDS(AS)	/DS Rising to /AS	4.5V	35		ns	2
			5.5V	35		ns	
12	TdR/W(AS)	R/W Valid to /AS Rising Delay	4.5V	25		ns	2
			5.5V	25		ns	
13	TdDS(R/W)	/DS Rising to R/W Not Valid	4.5V	35		ns	2
			5.5V	35		ns	
14	TdDW(DSW)	Write Data Valid to /DS Falling (Write) Delay	4.5V	25		ns	2
			5.5V	25		ns	
15	TdDS(DW)	/DS Rising to Write Data Not Valid Delay	4.5V	35		ns	2
			5.5V	35		ns	
16	TdA(DR)	Address Valid to Read Data Required Valid	4.5V		230	ns	1,2
			5.5V		230	ns	
17	TdAS(DS)	/AS Rising to /DS Falling Delay	4.5V	45		ns	2
			5.5V	45		ns	
18	TdM(AS)	/DM Valid to /AS Falling Delay	4.5V	30		ns	2
			5.5V	30		ns	
19	TdDS(DM)	/DS Rise to /DM Valid Delay	4.5V	70		ns	
			5.5V	70		ns	
20	ThDS(A)	/DS Rise to Address Valid Hold Time	4.5V	70		ns	
			5.5V	70		ns	

Notes:

1. When using extended memory timing add 2 TpC.
2. Timing numbers given are for minimum TpC.

Standard Test Load

All timing references use 0.9 V_{CC} for a logic 1 and 0.1 V_{CC} for a logic 0.

AC CHARACTERISTICS

Additional Timing Diagram

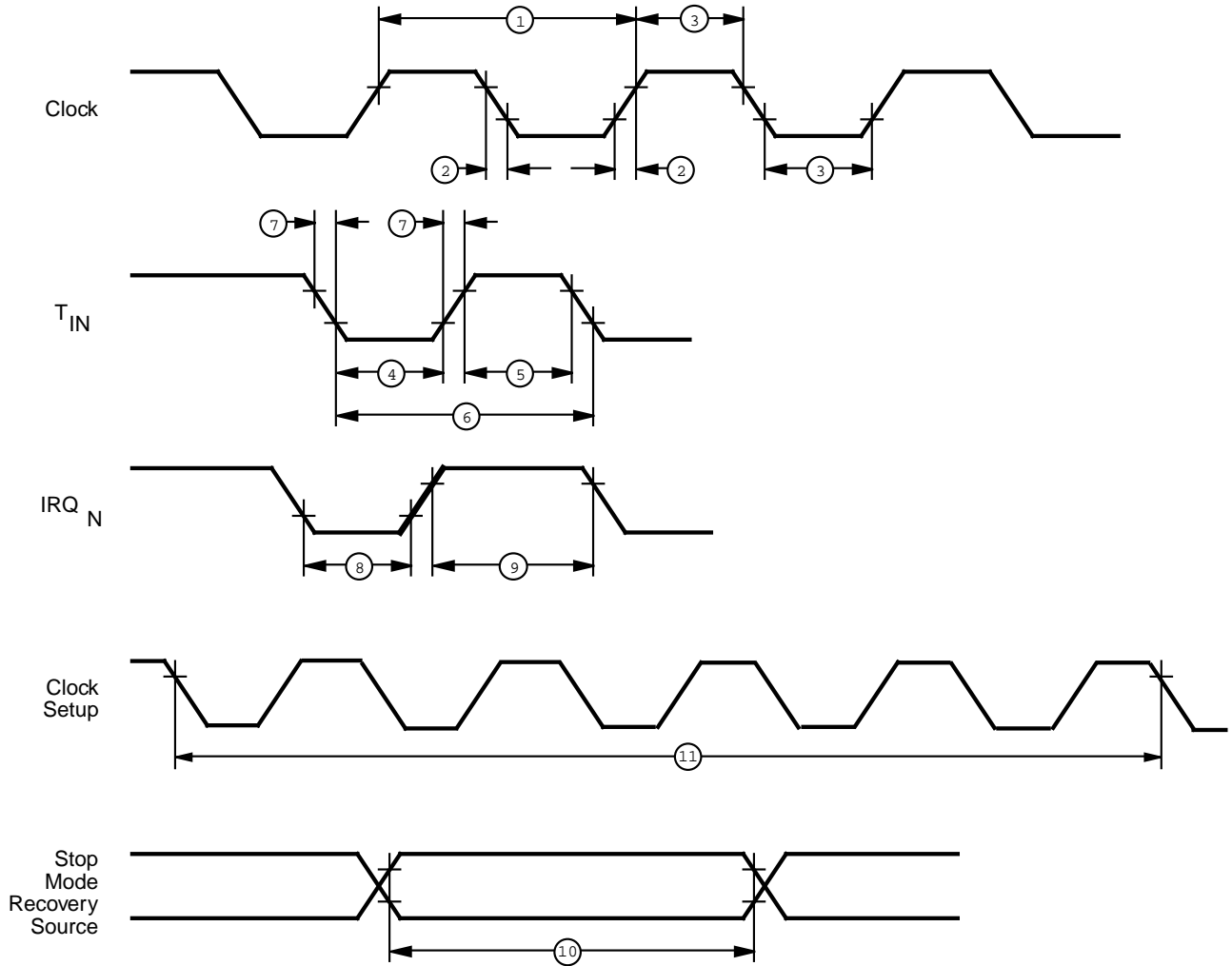


Figure 8. Additional Timing

AC CHARACTERISTICS (Z86L72/L92 LOW VOLTAGE SPECIFICATIONS)

Preliminary

Additional Timing Table

$T_A = 0^\circ\text{C to } +70^\circ\text{C}$ 8.0MHz							
No	Sym	Parameter	V_{CC}	Min	Max	Units	Notes
1	TpC	Input Clock Period	2.0V	121	DC	ns	1
			3.9V	121	DC	ns	1
2	TrC,TfC	Clock Input Rise and Fall Times	2.0V		25	ns	1
			3.9V		25	ns	1
3	TwC	Input Clock Width	2.0V	37		ns	1
			3.9V	37		ns	1
4	TwTinL	Timer Input Low Width	2.0V	100		ns	1
			3.9V	70		ns	1
5	TwTinH	Timer Input High Width	2.0V	3TpC			1
			3.9V	3TpC			1
6	TpTin	Timer Input Period	2.0V	8TpC			1
			3.9V	8TpC			1
7	TrTin,TfTin	Timer Input Rise and Fall Timers	2.0V		100	ns	1
			3.9V		100	ns	1
8A	TwLL	Interrupt Request Low Time	2.0V	100		ns	1,2
			3.9V	70		ns	1,2
8B	TwLL	Interrupt Request Low Time	2.0V	5TpC			1,3
			3.9V	5TpC			1,3
9	TwLH	Interrupt Request Input High Time	2.0V	5TpC			1,2
			3.9V	5TpC			1,2
10	Twsm	Stop-Mode Recovery Width Spec	2.0V	12		ns	7
			3.9V	12		ns	7
			2.0V	5 TpC		ns	6
			3.9V	5 TpC		ns	6
11	Tost	Oscillator Start-Up Time	2.0V		5TpC		4
			3.9V		5TpC		4
12	Twdt	Watch-Dog Timer Delay Time (5 ms) (10 ms) (20 ms) (80 ms)	2.0V	12	75	ms	
			3.9V	5	20	ms	
			2.0V	25	150	ms	
			3.9V	10	40	ms	
			2.0V	50	300	ms	
			3.9V	20	80	ms	
			2.0V	225	1200	ms	
3.9V	80	320	ms				

Notes:

1. Timing Reference uses 0.9 V_{CC} for a logic 1 and 0.1 V_{CC} for a logic 0.
2. Interrupt request through Port 3 (P33-P31).
3. Interrupt request through Port 3 (P30).
4. SMR bit D5 = 0

AC CHARACTERISTICS(Z86C72/C92 SPECIFICATIONS)

Preliminary

Additional Timing Table

$T_A = 0^{\circ}\text{C to } +70^{\circ}\text{C}$ 16.0 MHz								
No	Symbol	Parameter	V_{CC}	Min	Max	Units	Notes	
1	TpC	Input Clock Period	4.5V	63	DC	ns	1	
			5.5V	63	DC	ns	1	
2	TrC, TfC	Clock Input Rise and Fall Times	4.5V		15	ns	1	
			5.5V		15	ns	1	
3	TwC	Input Clock Width	4.5V	31		ns	1	
			5.5V	31		ns	1	
4	TwTinL	Timer Input Low Width	4.5V	100		ns	1	
			5.5V	70		ns	1	
5	TwTinH	Timer Input High Width	4.5V	5TpC			1	
			5.5V	5TpC			1	
6	TpTin	Timer Input Period	4.5V	8TpC			1	
			5.5V	8TpC			1	
7	TrTin, TfTin	Timer Input Rise	4.5V		100	ns	1	
			5.5V		100	ns	1	
8A	TwIL	Interrupt Request Low Time	4.5V	100		ns	1,2	
			5.5V	70		ns	1,2	
8B	TwIL	Int. Request Low Time	4.5V	5TpC			1,3	
			5.5V	5TpC			1,3	
9	TwIH	Interrupt Request Input High Time	4.5V	5TpC			1,2	
			5.5V	5TpC			1,2	
10	TwsM	Stop-Mode	4.5V	12		ns	8	
		Recovery Width	5.5V	12		ns	8	
		Spec	4.5V	5TpC				7
			5.5V	5TpC				7
11	Tost	Oscillator Start-up Time	4.5V		5TpC		4	
			5.5V		5TpC		4	
12	Twdt	Watch-Dog Timer Delay Time (2.0 ms)	4.5V	2.0		ms	D0=0, 5	
			5.5V	2.0		ms	D1=0, 5	
			4.0 ms	4.5V	4.0		ms	D0=1, 5
				5.5V	4.0		ms	D1=0, 8
			8.0 ms	4.5V	8.0		ms	D0=1, 5
				5.5V	8.0		ms	D1=0, 8
			32 ms	4.5V	32		ms	D0=1, 5
				5.5V	32		ms	D1=0, 8

Notes:

1. Timing Reference uses 0.9 V_{CC} for a logic 1 and 0.1 V_{CC} for a logic 0.
2. Interrupt request through Port 3 (P33-P31).
3. Interrupt request through Port 3 (P30).
4. SMR bit D5 = 0
5. Reg. WDTMR bit D0=1
6. Reg. SMR bit D5 = 0
7. Reg. SMR bit D5 = 1
8. Reg. WDTMR bit D1=0

AC CHARACTERISTICS
Handshake Timing Diagrams

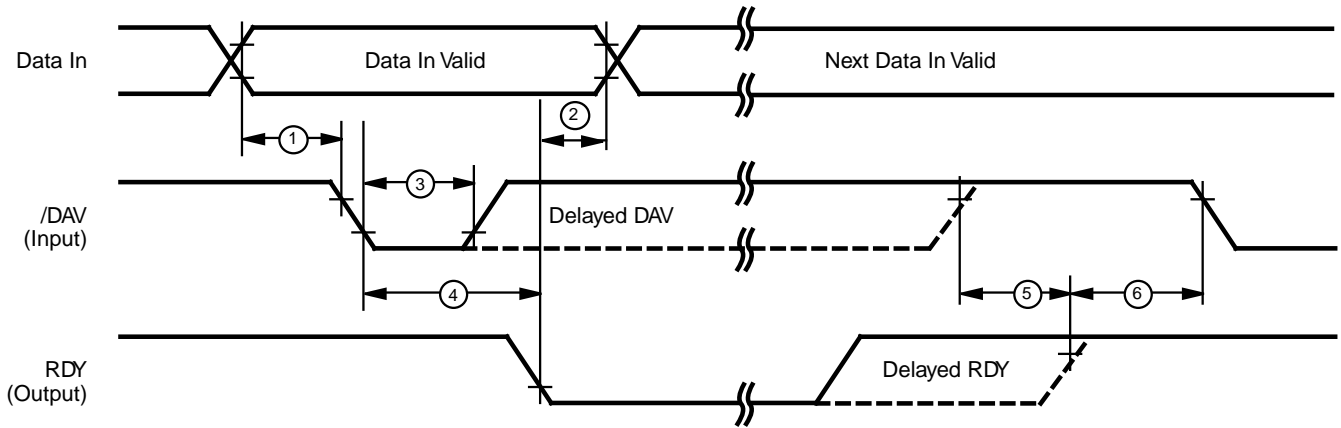


Figure 9. Port I/O with Input Handshake Timing

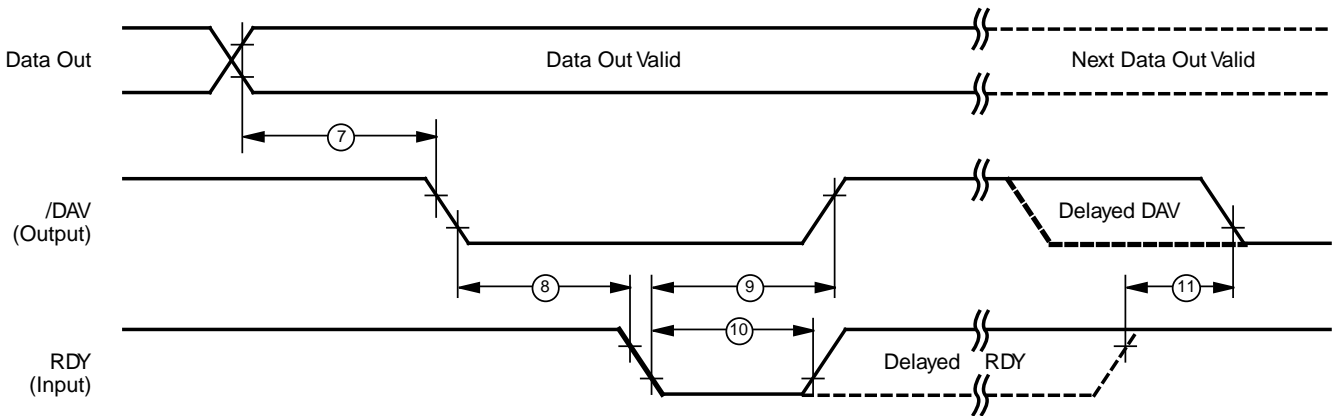


Figure 10. Port I/O with Output Handshake Timing

AC CHARACTERISTICS (Z86L72/L92 LOW VOLTAGE SPECIFICATIONS)

Preliminary

Handshake Timing Table

No	Sym	Parameter	V _{CC}	T _A = 0°C to +70°C		Data Direction
				Min	Max	
1	TsDI(DAV)	Data In Setup Time	2.0V	0		IN
			3.9V	0		IN
2	ThDI(DAV)	Data In Hold Time	2.0V	0		IN
			3.9V	0		IN
3	TwDAV	Data Available Width	2.0V	155		IN
			3.9V	110		IN
4	TdDAVI(RDY)	DAV Falling to RDY Falling Delay	2.0V		160	IN
			3.9V		115	IN
5	TdDAVId(RDY)	DAV Rising to RDY Falling Delay	2.0V		120	IN
			3.9V		80	IN
6	TdRDYO(DAV)	RDY Rising to DAV Falling Delay	2.0V	0		IN
			3.9V	0		IN
7	TdDO(DAV)	Data Out to DAV Falling Delay	2.0V	63		OUT
			3.9V	63		OUT
8	TdDAV0(RDY)	DAV Falling to RDY Falling Delay	2.0V	0		OUT
			3.9V	0		OUT
9	TdRDY0(DAV)	RDY Falling to DAV Rising Delay	2.0V		160	OUT
			3.9V		115	OUT
10	TwRDY	RDY Width	2.0V	110		OUT
			3.9V	80		OUT
11	TdRDY0d(DAV)	RDY Rising to DAV Falling Delay	2.0V		110	OUT
			3.9V		80	OUT

AC CHARACTERISTICS(Z86C72/C92 SPECIFICATIONS)

Preliminary

Handshake Timing Table

$T_A = 0^\circ\text{C to } +70^\circ\text{C}$						
16.0 MHz						
No	Symbol	Parameter	V_{CC}	Min	Max	Data Direction
1	TSD(DAV)	Data in Setup Time	4.5V	0		IN
			5.5V	0		IN
2	ThD(DAV)	Data in Hold Time	4.5V	160		IN
			5.5V	115		IN
3	TwDAV	Data Available Width	4.5V	155		IN
			5.5V	110		IN
4	TdDAVI(RDY)	DAV Falling to RDY Falling Delay	4.5V		160	IN
			5.5V		115	IN
5	TdDAVId(RDY)	DAV Rising to RDY Falling Delay	4.5V		120	IN
			5.5V		80	IN
6	TdRDY)(DAV)	RDY Rising to DAV Falling Delay	4.5V	0		IN
			5.5V	0		IN
7	TdD0(DAV)	Data Out to DAV Falling Delay	4.5V	31		OUT
			5.5V	31		OUT
8	TdDAV0(RDY)	DAV Falling to RDY Falling Delay	4.5V	0		OUT
			5.5V	0		OUT
9	TdRDY0(DAV)	RDY Falling to DAV	4.5V		160	OUT
			5.5V		115	OUT
10	TwRDY	RDY Width	4.5V	110		OUT
			5.5V	80		OUT
11	TdRDY0d(DAV)	RDY Rising to DAV Falling Dealy	4.5V		110	OUT
			5.5V		80	OUT

PIN FUNCTIONS

/DS (Output, active Low). Data Strobe is activated once for each external memory transfer. For a READ operation, data must be available prior to the trailing edge of /DS. For WRITE operations, the falling edge of /DS indicates that output data is valid.

/AS (Output, active Low). Address Strobe is pulsed once at the beginning of each machine cycle. Address output is through Port 0/Port 1 for all external programs. Memory address transfers are valid at the trailing edge of /AS. Under program control, /AS is placed in the high-impedance state along with Ports 0 and 1, Data Strobe, and Read/Write.

XTAL1 Crystal 1 (time-based input). This pin connects a parallel-resonant crystal, ceramic resonator, LC, or RC network or an external single-phase clock to the on-chip oscillator input.

XTAL2 Crystal 2 (time-based output). This pin connects a parallel-resonant, crystal, ceramic resonant, LC, or RC network to the on-chip oscillator output.

R//W Read/Write (output, write Low). The R//W signal is Low when the CCP is writing to the external program or data memory.

R//RL (input). This pin, when connected to GND, disables the internal ROM and forces the device to function as a ROMless Z8. (Note that, when left unconnected or pulled high to V_{CC} , the part functions normally as a Z8 ROM version.)

Port 0 (P07-P00). Port 0 is an 8-bit, bi-directional, CMOS compatible port. These eight I/O lines are configured under software control as a nibble I/O port, or as an address port for interfacing external memory. The output drivers are push-pull. Port 0 is placed under handshake control. In this configuration, Port 3, lines P32 and P35 are used as the handshake control /DAV0 and RDY0. Handshake signal direction is dictated by the I/O direction to Port 0 of the upper nibble P07-P04. The lower nibble must have the same direction as the upper nibble.

For external memory references, Port 0 can provide address bits A11-A8 (lower nibble) or A15-A8 (lower and upper nibble) depending on the required address space. If the address range requires 12 bits or less, the upper nibble of Port 0 can be programmed independently as I/O while the lower nibble is used for addressing. If one or both nibbles are needed for I/O operation, they must be configured by writing to the Port 0 mode register. After a hardware reset, Port 0 is configured as an input port.

Port 0 is set in the high-impedance mode (if selected as an address output) along with Port 1 and the control signals /AS, /DS, and R//W through P3M bits D4 and D3 (Figure 11).

A ROM mask option is available to program 0.4 V_{DD} CMOS trip inputs on P00-P03 of the L72. This allows direct interface to mouse/trackball IR sensors.

An optional 200 kOhm pull-up is available as a mask option on all Port 0 bits with nibble select. These pull-ups are disabled when configured (bit by bit) as an output.

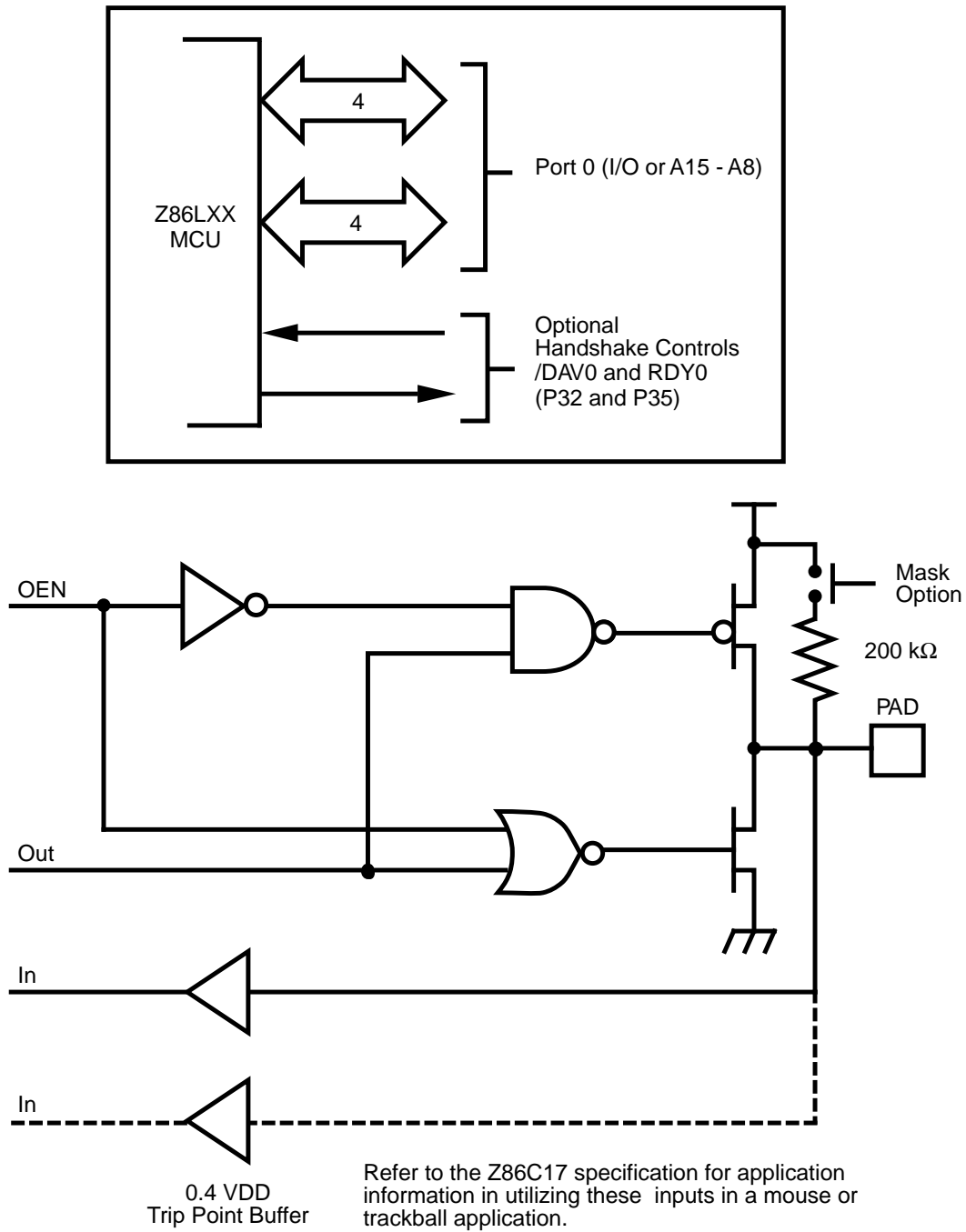


Figure 11. Port 0 Configuration

PIN FUNCTIONS (Continued)

Port 1 (P17-P10). Port 1 is a multiplexed Address (A7-A0) and Data (D7-D0), CMOS compatible port. Port 1 is dedicated to the Zilog ZBus®-compatible memory interface. The operations of Port 1 are supported by the Address Strobe (/AS) and Data Strobe (/DS) lines, and by the Read/Write (R/W) and Data Memory (/DM) control lines. Data memory read/write operations are done through this

port (Figure 12). If more than 256 external locations are required, Port 0 outputs the additional lines.

Port 1 can be placed in the high-impedance state along with Port 0, /AS, /DS, and R/W, allowing the Z86L/CX2 to share common resources in multiprocessor and DMA applications. Port1 can also be configured for standard port output mode.

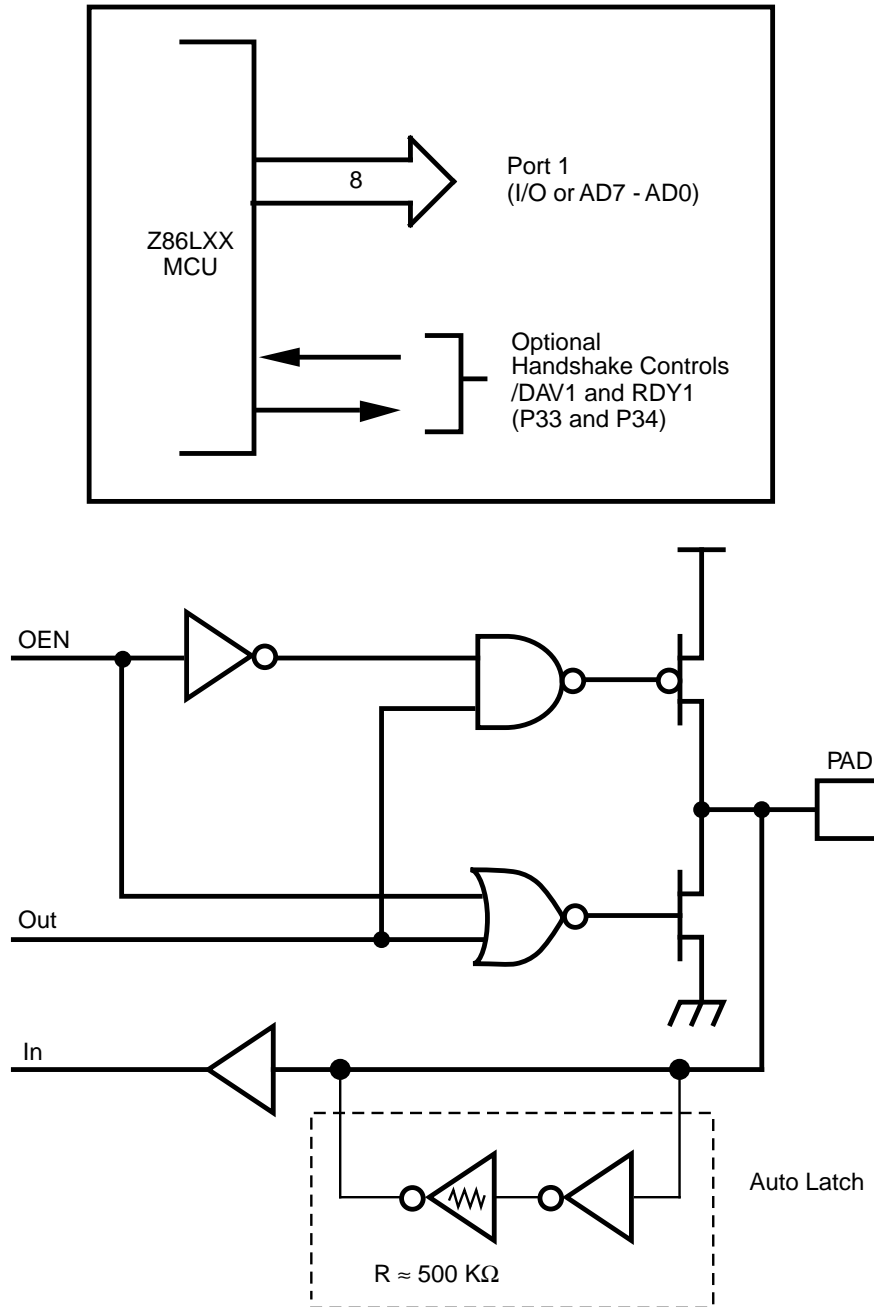


Figure 12. Port 1 Configuration

Port 2 (P27-P20). Port 2 is an 8-bit, bidirectional, CMOS compatible I/O port. These eight I/O lines can be independently configured under software control as inputs or outputs. Port 2 is always available for I/O operation. A mask option is available to connect eight 200 kOhms ($\pm 50\%$) pull-up resistors on this port. Bits programmed as outputs are globally programmed as either push-pull or open-drain. Port 2 may be placed under handshake control. In this configuration, Port 3 lines, P31 and P36 are used as the handshake controls lines /DAV2 and RDY2. The hand-

shake signal assignment for Port 3, lines P31 and P36 is dictated by the direction (input or output) assigned to Bit 7, Port 2 (Figure 13). The eight bits of Port 2 are configured as inputs with open-drain outputs.

Port 2 also has an 8-bit input OR and an AND gate which can be used to wake up the part (Figure 39). P20 can be programmed to access the edge selection circuitry (Figure 22).

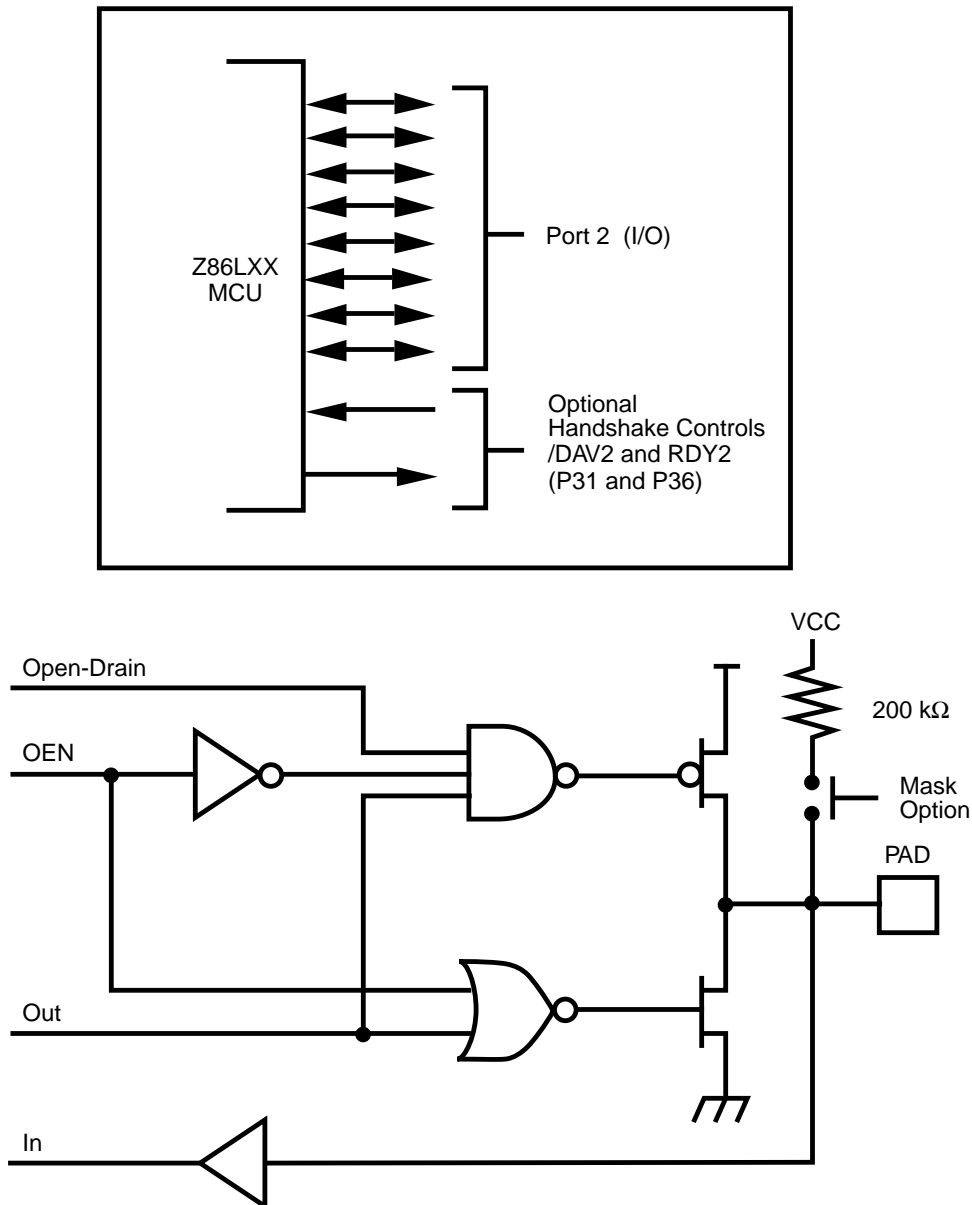


Figure 13. Port 2 Configuration

PIN FUNCTIONS (Continued)

Port 3 (P37-P31). Port 3 is a 7-bit, CMOS compatible three fixed input and four fixed output port. Port 3 consists of three fixed input (P33-P31) and four fixed output (P37-P34), and can be configured under software control for Input/Output, Interrupt, Port handshake, Data Memory functions and output from the counter/timers. P31, P32, and P33 are standard CMOS inputs; outputs are push-pull.

Two on-board comparators process analog signals on P31 and P32 with reference to the voltage on Pref1 and P33. The analog function is enabled by programming the Port 3 Mode Register (bit 1). P31 and P32 are programmable as rising, falling, or both edge triggered interrupts (IRQ regis-

ter bits 6 and 7). Pref1 and P33 are the comparator reference voltage inputs. Access to the Counter Timer edge detection circuit is through P31 or P20 (see CTR1 description).

Port 3 provides the following control functions: handshake for Ports 0, 1, and 2 (/DAV and RDY); three external interrupt request signals (IRQ2-IRQ0); Data Memory Select (/DM) (Table 2).

Port 3 also provides output for each of the counter/timers and the AND/OR Logic. Control is performed by programming bits D5-D4 of CTR1, bit 0 of CTR0 and bit 0 of CTR2.

Table 2. Pin Assignments

Pin	I/O	C/T	Comp.	Int.	P0 HS	P1 HS	P2 HS	Ext
Pref1	IN		RF1					
P31	IN	IN	AN1	IRQ2			D/R	
P32	IN		AN2	IRQ0	D/R			
P33	IN		RF2	IRQ1		D/R		
P34	OUT	T8	A01			R/D		DM
P35	OUT	T16			R/D			
P36	OUT	T8/16					R/D	
P37	OUT		A02					
P20	I/O	IN						

Notes:

HS = Handshake Signals
D = /DAV
R = RDY

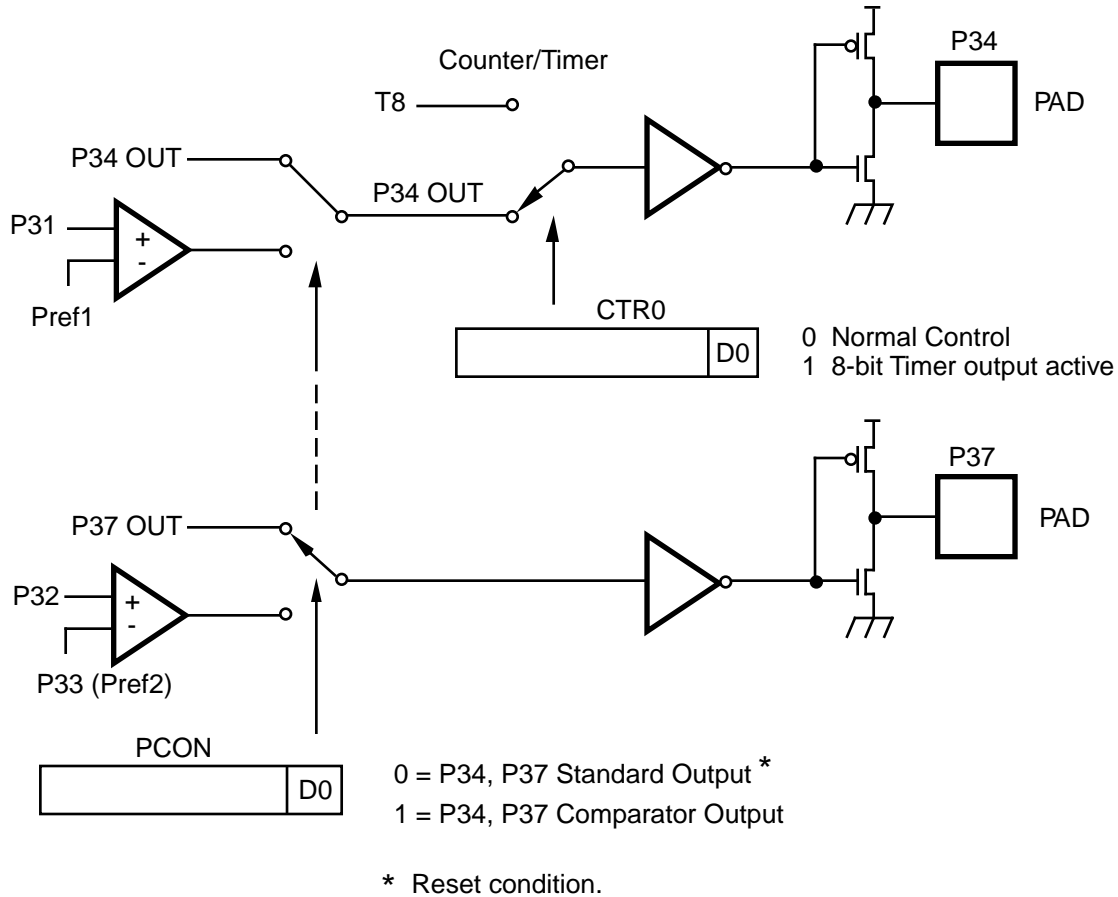


Figure 14. Port 3 Configuration

Comparator Inputs. In Analog Mode, Port 3 (P31 and P32) have a comparator front end. The comparator reference is supplied to P33 and Pref1. In this mode, the P33 internal data latch and its corresponding IRQ1 is diverted to the SMR Sources (excluding P31, P32, and P33) as shown in Figure 38. In digital mode, P33 is used as D3 of the Port 3 input register which then generates IRQ1 as shown in Figure 15.

When P31 is used as a counter timer input (demodulation mode), Timer input is always taken from the P31 digital input buffer (whether or not analog mode is enabled).

Notes: Comparators are powered down by entering STOP mode. For P31-P33 to be used as a Stop-Mode Recovery source, these inputs must be placed into digital mode.

Comparator Outputs. These may be programmed to be output on P34 and P37 through the PCON register (Figure 15).

PIN FUNCTIONS (Continued)

/RESET (Input, active Low). Initializes the MCU. Reset is accomplished either through Power-On, Watch-Dog Timer, Stop-Mode Recovery, Low Voltage detection, or external reset. During Power-On Reset and Watch-Dog Timer Reset, the internally generated reset drives the reset pin Low for the POR time. Any devices driving the reset line should be open-drain in order to avoid damage from a possible conflict during reset conditions. Pull-up is provided internally. There is no internal condition that will not allow an external reset to occur.

After the POR time, **/RESET** is a Schmitt-triggered input. To avoid asynchronous and noisy reset problems, the

Z86L/CX2 is equipped with a reset filter of four external clocks (4TpC). If the external reset signal is less than 4TpC in duration, no reset occurs. On the fifth clock after the reset is detected, an internal RST signal is latched and held for an internal register count of 18 external clocks, or for the duration of the external reset, whichever is longer.

During the reset cycle, **/DS** is held active Low while **/AS** cycles at a rate of TpC/2. Program execution begins at location 000CH, 5-10 TpC cycles after the RST is released. For Power-On Reset, the typical reset output time is 5 ms. The Z86L/CX2 does not reset WDTMR, SMR, P2M, P2, P3, or P3M registers on a Stop-Mode Recovery operation.

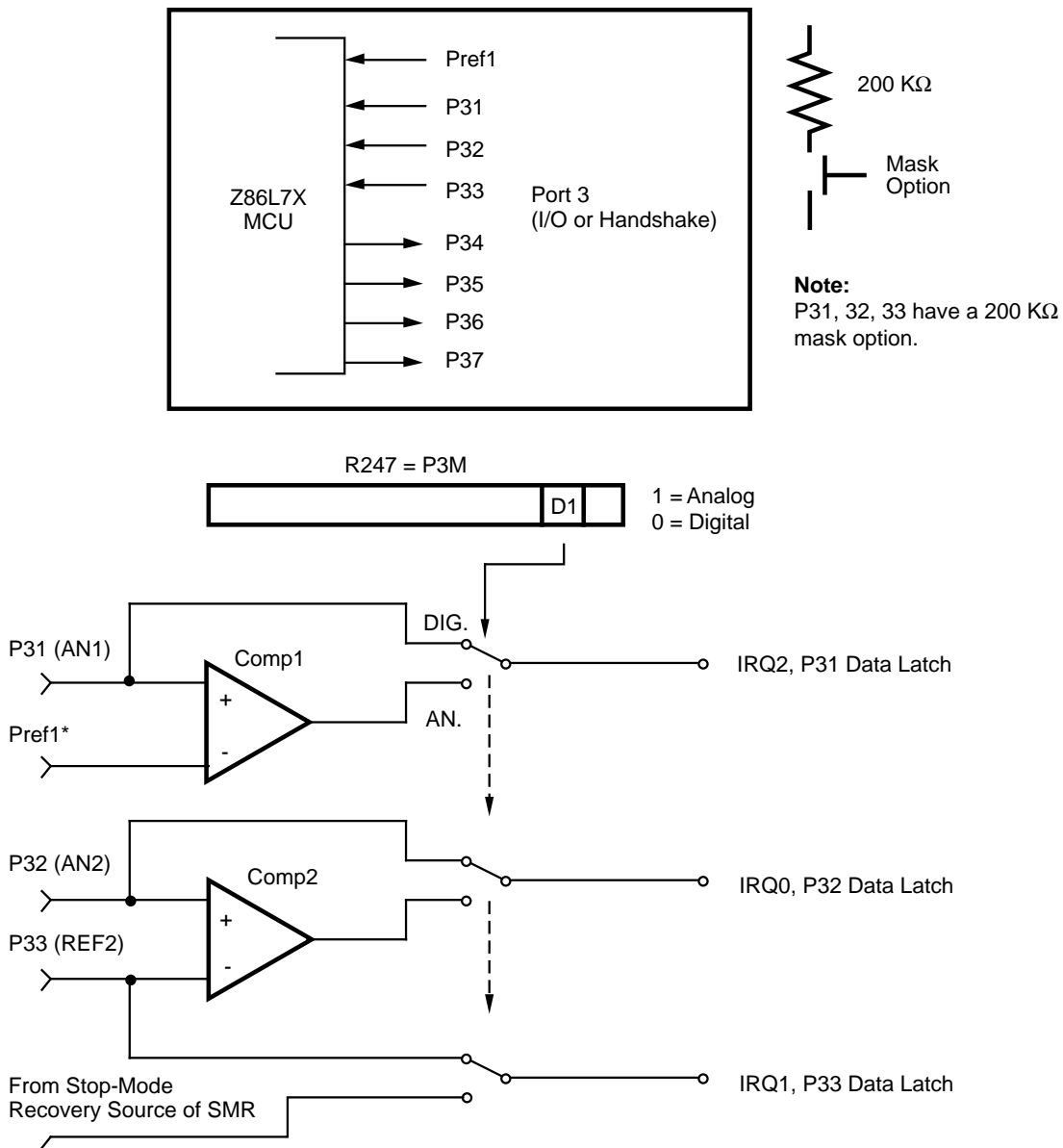


Figure 15. Port 3 Configuration

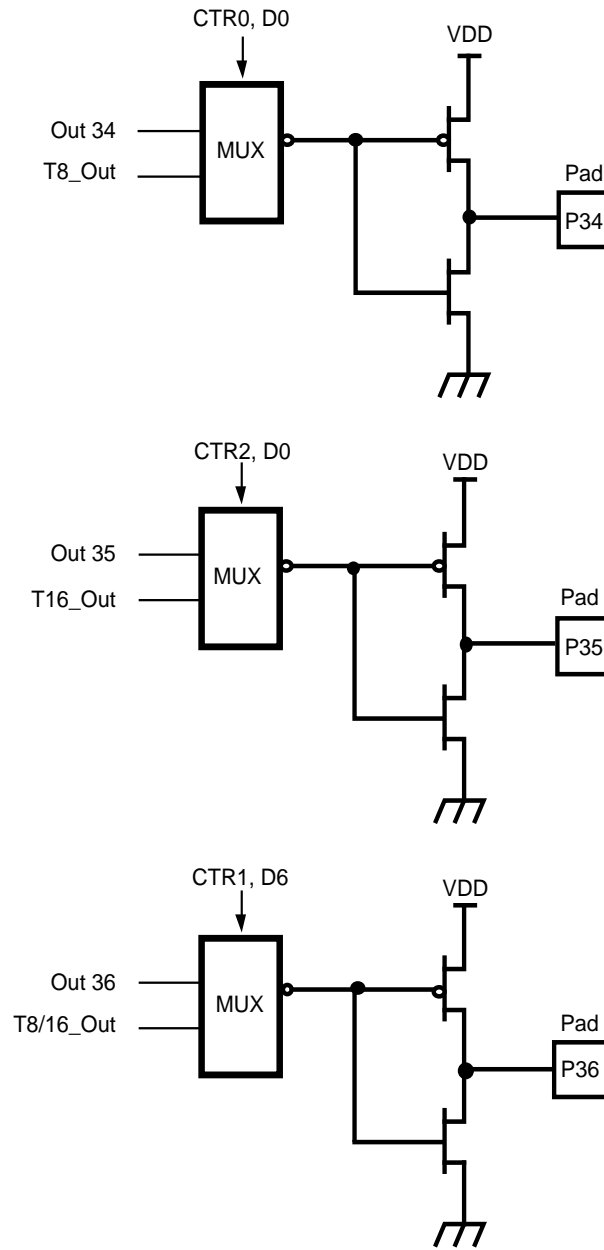


Figure 16. Port 3 Configuration

FUNCTIONAL DESCRIPTION

The Z8® incorporates special functions to enhance functionality in consumer and battery operated applications.

Reset. The device is reset in one of the following conditions:

1. Power-On Reset
2. Watch-Dog Timer
3. Stop-Mode Recovery Source
4. Low Voltage Detection
5. External Reset

Program Memory. The Z86L/C72 addresses up to 16K of internal program memory, with the remainder being external memory (Figure 17). The first 12 bytes of program memory are reserved for the interrupt vectors. These locations contain five 16-bit vectors that correspond to the five available interrupts. At addresses 16K and greater, the Z86L/C72 executes external program memory fetches (refer to external memory timing specifications).

The Z86L72/C92 addresses up to (64K - 512 KB) of external program memory beginning at address 0. This is also true of the Z86L/C72 when the R//RL input is forced to a low.

RAM. The Z86L72 has a 768-byte RAM. 256 bytes make up the Register file. The remaining 512 bytes make up the Extended Data RAM.

Extended Data RAM. The Extended Data RAM occupies the address range FE00H-FFFFH (512 bytes). This range of external addresses is replaced by the internal Extended Data RAM and cannot be used to directly write to or read from External Memory. Accessing the Extended Data RAM is accomplished by using LDE, LDEI, LDC, or LDCI instructions. Port 1 and Port 0 are free to be set as I/O or ADDR/DATA modes (except for high-impedance) when accessing Extended Data RAM. In addition, if the External Memory uses the same address range as the Extended Data RAM, it can be used as the External Stack only.

Note: The Extended Data RAM cannot be used as STACK or instruction/code memory. Accessing the Extended Data RAM has the following condition: P01M register bits D4-D3 cannot be set to 11.

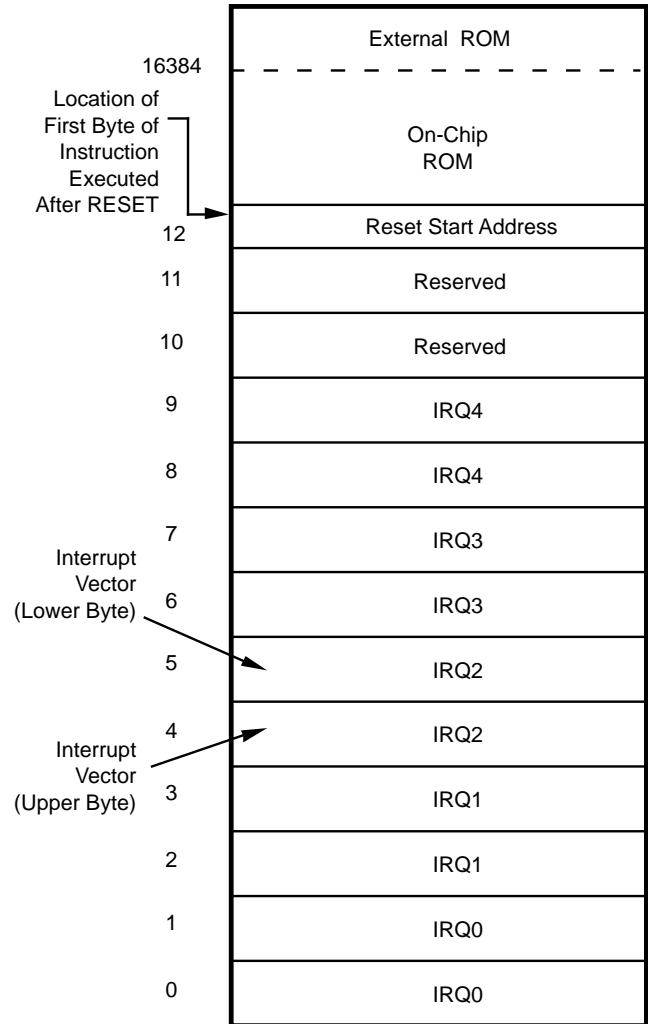


Figure 17. L72/C72 Program Memory Map

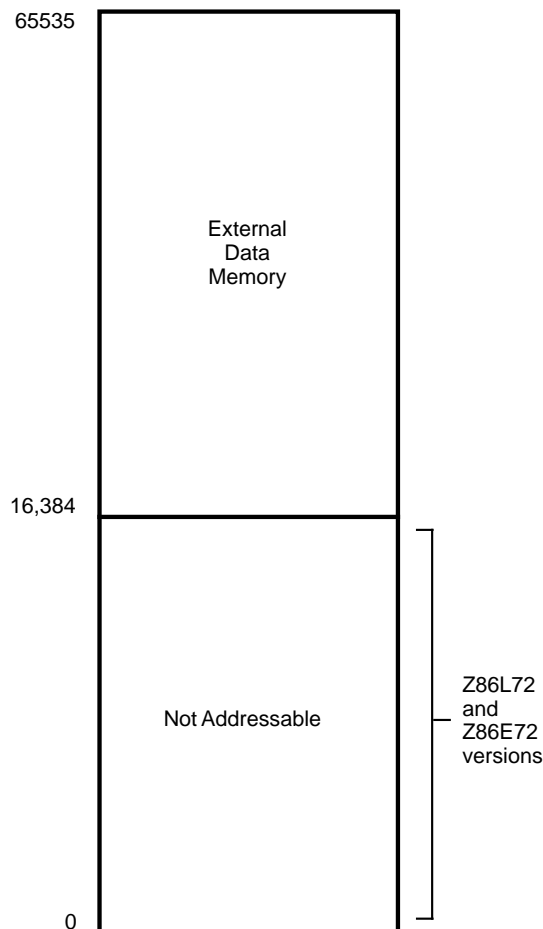


Figure 18. Data Memory Map

External Memory (/DM). The Z86L72 addresses up to 48K bytes (minus Extended Data RAM space) of external memory beginning at address 16384 (Figure 18). External data memory is included with, or separated from, the external program memory space. /DM, an optional I/O function that is programmed to appear on P34, is used to distinguish between data and program memory space. The state of the /DM signal is controlled by the type of instruction being executed. An LDC opcode references PROGRAM (/DM inactive) memory, and an LDE instruction references data (/DM active Low) memory.

Expanded Register File. The register file has been expanded to allow for additional system control registers, and for mapping of additional peripheral devices into the register address area. The Z8 register address space R0 through R15 has been implemented as 16 groups of 16 registers per group. These register groups are known as the ERF (Expanded Register File). Bits 7-4 of register RP select the working register group. Bits 3-0 of register RP select the expanded register file bank. Note that expanded register bank is also referred to as expanded register group (Figure 19).

The upper nibble of the register pointer (Figure 21) selects which working register group of 16 bytes in the register file, out of the possible 256, will be accessed. The lower nibble selects the expanded register file bank and, in the case of the Z86L/CX2 family, banks 0, F, and D are implemented. A 0H in the lower nibble will allow the normal register file (bank 0) to be addressed, but any other value from 1H to FH will exchange the lower 16 registers to an expanded register bank (See Figure 19).

For example:

```
R253 RP = 00H
      R0 = Port 0
      R1 = Port 1
      R2 = Port 2
      R3 = Port 3
```

But if:

```
R253 RP = 0DH
      R0 = CTRL0
      R1 = CTRL1
      R2 = CTRL2
      R3 = Reserved
```

The counter/timers are mapped into ERF group D. Access is easily done using the following example:

```
LD  RP, #0DH Select ERF D for access to bank D( work-
              ing register group 0)

LD  R0,#xx   Load CTRL0
LD  R1, #xx   Load CTRL1
LD  R1, 2     CTRL2 → CTRL1

LD  RP, #7DH Select expanded register bank D and
              working register group 7 of bank 0 for access .

LD  71H, R2   CTRL2 → register 71H
LD  R1, R2    CTRL2 → register 71H
```

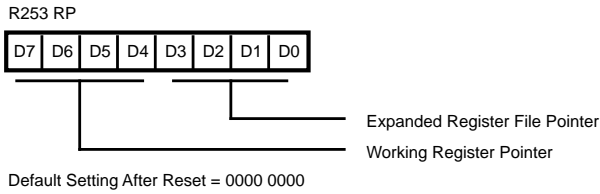



Figure 20. Register Pointer

Register File. The register file (bank 0) consists of four I/O port registers, 236 general-purpose registers, and 16 control and status registers (R0-R3, R4-R239, and R240-R255, respectively), Plus two expanded registers groups (Banks D and F). Instructions can access registers directly or indirectly through an 8-bit address field. This allows a short, 4-bit register address using the Register Pointer (Figure 23). In the 4-bit mode, the register file is divided into 16 working register groups, each occupying 16 continuous locations. The Register Pointer addresses the starting location of the active working register group.

Note: Working register group E0-EF can only be accessed through working registers and indirect addressing modes.

Stack. The Z86L/CX2 external data memory or the internal register file is used for the stack. An 8-bit Stack Pointer (R255) is used for the internal stack that resides in the general-purpose registers (R4-R239). SPH is used as a general-purpose register only when using internal stacks.

Note: When SPH is used as a general-purpose register and Port 0 is in address mode, the contents of SPH will be loaded into Port 0 whenever the internal stack is accessed.

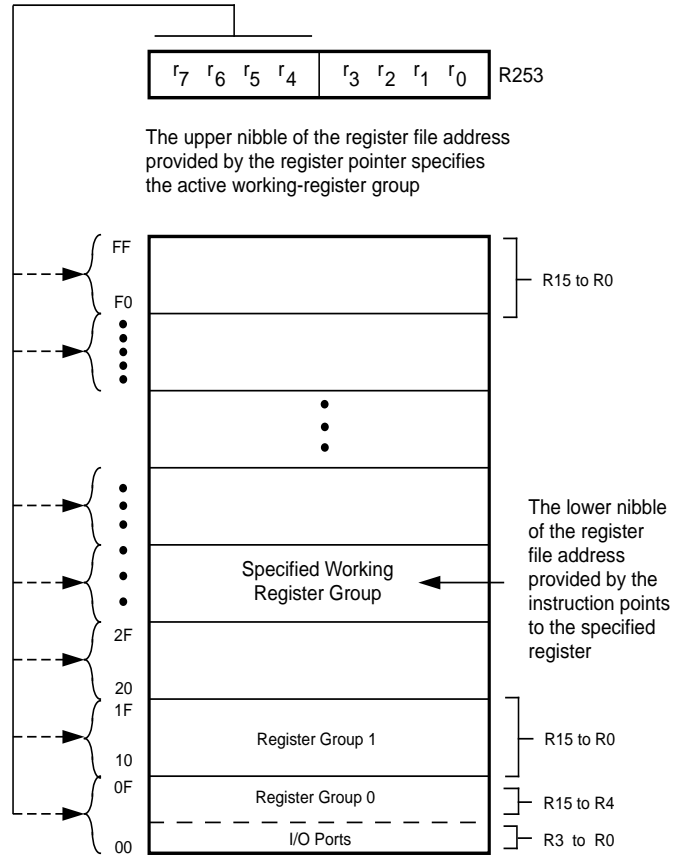


Figure 21. Register Pointer

FUNCTIONAL DESCRIPTION (Continued)

Counter/Timer Register Description

Expanded Register Group D	
(D)H0C	Reserved
(D)H0B	HI8
(D)H0A	LO8
(D)H09	HI16
(D)H08	LO16
(D)H07	TC16H
(D)H06	TC16L
(D)H05	TC8H
(D)H04	TC8L
(D)H03	Reserved
(D)H02	CTR2
(D)H01	CTR1
(D)H00	CTR0

HI8(D)H0B: Holds the captured data from the output of the 8-bit Counter/Timer0. This register is typically used to hold the number of counts when the input signal is 1.

Field	Bit Position	Description
T8_Capture_HI	76543210	R Captured Data W No Effect

LO8(D)H0A: Holds the captured data from the output of the 8-bit Counter/Timer0. This register is typically used to hold the number of counts when the input signal is 0.

Field	Bit Position	Description
T16_Capture_LO	76543210	R Captured Data W No Effect

HI16(D)H09: Holds the captured data from the output of the 16-bit Counter/Timer16. This register holds the MS-Byte of the data.

Field	Bit Position	Description
T16_Capture_HI	76543210	R Captured Data W No Effect

LO16(D)H08: Holds the captured data from the output of the 16-bit Counter/Timer16. This register holds the LS-Byte of the data.

Field	Bit Position	Description
T16_Capture_LO	76543210	R Captured Data W No Effect

TC16H(D)H07: Counter/Timer2 MS-Byte Hold Register.

Field	Bit Position	Description
T16_Data_HI	76543210	R Data W

TC16L(D)H06: Counter/Timer2 LS-Byte Hold Register.

Field	Bit Position	Description
T16_Data_LO	76543210	R/W Data

TC8H(D)H05: Counter/Timer8 High Hold Register.

Field	Bit Position	Description
T8_Level_HI	76543210	R/W Data

TC8L(D)H04: Counter/Timer8 Low Hold Register.

Field	Bit Position	Description
T8_Level_LO	76543210	R/W Data

CTR0 (D)00H: Counter/Timer8 Control Register.

Field	Bit Position		Value	Description
T8_Enable	7-----	R	0*	Counter Disabled
			1	Counter Enabled
		W	0	Stop Counter
			1	Enable Counter
Single/Modulo-N	-6-----	R/W	0	Modulo-N
			1	Single Pass
Time_Out	--5-----	R	0	No Counter Time-Out
			1	Counter Time-Out Occurred
		W	0	No Effect
			1	Reset Flag to 0
T8_Clock	---43---	R/W	0 0	SCLK
			0 1	SCLK/2
			1 0	SCLK/4
			1 1	SCLK/8
Capture_INT_Mask	-----2--	R/W	0	Disabled Data Capture Int.
			1	Enable Data Capture Int.
Counter_INT_Mask	-----1-	R/W	0	Disable Data Capture Int.
			1	Enable Time-Out Int.
P34_Out	-----0	R/W	0*	P34 as Port Output
			1	T8 Output on P34

Note:

*Indicates the value upon Power-On Reset.

CTR0: Counter/Timer8 Control Register Description

T8 Enable. This field enables T8 when set (written) to 1.

Single/Modulo-N. When set to 0 (modulo-n), the counter reloads the initial value when the terminal count is reached. When set to 1 (single pass), the counter stops when the terminal count is reached.

Time-Out. This bit is set when T8 times out (terminal count reached). To reset this bit, a 1 should be written to this location. **This is the only way to reset this status condition, therefore, care should be taken to reset this bit prior to using/enabling the counter/timers.**

Note: Care must be taken when utilizing the OR or AND commands to manipulate CTR0, bit 5 and CTR1, bits 0 and 1 (Demodulation Mode). These instructions use a Read-Modify-Write sequence in which the current status from the CTR0 and CTR1 registers will be ORed or ANDed with the designated value and then written back into the registers. Example: When the status of bit 5 is 1, a reset condition will occur.

T8 Clock. Defines the frequency of the input signal to T8.

Capture_INT_Mask. Set this bit to allow interrupt when data is captured into either LO8 or HI8 upon a positive or negative edge detection in demodulation mode.

Counter_INT_Mask. Set this bit to allow interrupt when T8 has a time out.

P34_Out. This bit defines whether P34 is used as a normal output pin or the T8 output.

FUNCTIONAL DESCRIPTION (Continued)

CTR1(D)H01: Controls the functions in common with the T8 and T16.

Field	Bit Position		Value	Description			
Mode	7-----	R/W	0*	Transmit Mode			
			1	Demodulation Mode			
P36_Out/ Demodulator_Input	-6-----	R/W	0*	Transmit Mode			
			1	Port Output			
			0	T8/T16 Output			
			1	Demodulation Mode			
T8/T16_Logic/ Edge_Detect	--54----	R/W	0	P31			
			1	P20			
			00	Transmit Mode			
			01	AND			
			10	OR			
			11	NOR			
			00	NAND			
			01	Demodulation Mode			
			10	Falling Edge			
			11	Rising Edge			
Transmit_Submode/Glitch_Filter	----32--	R/W	00	Both Edges			
			01	Reserved			
			10	Transmit Mode			
			11	Normal Operation			
			00	Ping-Pong Mode			
			01	T16_Out=0			
			10	T16_Out=1			
			11	Demodulation Mode			
Initial_T8_Out/ Rising_Edge	-----1-	R/W	00	No Filter			
			01	4 SCLK Cycle			
			10	8 SCLK Cycle			
			11	16 SCLK Cycle			
			0	Transmit Mode			
			1	T8_OUT is 0 Initially			
Initial_T16_Out/ Falling_Edge	-----0	R/W	0	T8_OUT is 1 Initially			
			1	Demodulation Mode			
			0	No Rising Edge			
			1	Rising Edge Detected			
		R	0	0	No Effect		
				1	Reset Flag to 0		
				W	0	0	Transmit Mode
						1	T16_OUT is 0 Initially
0	T16_OUT is 1 Initially						
1	Demodulation Mode						
W	0	0	No Falling Edge				
		1	Falling Edge Detected				
		W	0	0	No Effect		
				1	Reset Flag to 0		

Note: *Indicates the value upon Power-On Reset

CTR1 Register Description

Mode. If it is 0, the Counter/Timers are in the transmit mode, otherwise they are in the demodulation mode.

P36_Out/Demodulator_Input. In Transmit Mode, this bit defines whether P36 is used as a normal output pin or the combined output of T8 and T16.

In Demodulation Mode, this bit defines whether the input signal to the Counter/Timers is from P20 or P31.

T8/T16_Logic/Edge_Detect. In Transmit Mode, this field defines how the outputs of T8 and T16 are combined (AND, OR, NOR, NAND).

In Demodulation Mode, this field defines which edge should be detected by the edge detector.

Transmit_Submode/Glitch_Filter. In Transmit Mode, this field defines whether T8 and T16 are in the "Ping-Pong" mode or in independent normal operation mode. Setting this field to "Normal Operation Mode" terminates the "Ping-Pong Mode" operation. When set to 10, T16 is immediately forced to a 0. When set to 11, T16 is immediately forced to a 1.

In Demodulation Mode, this field defines the width of the glitch that should be filtered out.

Initial_T8_Out/Rising_Edge. In Transmit Mode, if 0, the output of T8 is set to 0 when it starts to count. If 1, the output of T8 is set to 1 when it starts to count. When this bit is set to 1 or 0, T8_OUT will be set to the opposite state of this bit. This insures that when the clock is enabled a transition occurs to the initial state set by CTR1, D1.

In Demodulation Mode, this bit is set to 1 when a rising edge is detected in the input signal. In order to reset it, a 1 should be written to this location.

Initial_T16_Out/Falling_Edge. In Transmit Mode, if it is 0, the output of T16 is set to 0 when it starts to count. If it is 1, the output of T16 is set to 1 when it starts to count. This bit is effective only in Normal or Ping-Pong Mode (CTR1, D3, D2). When this bit is set, T16_OUT will be set to the opposite state of this bit. This insures that when the clock is enabled a transition occurs to the initial state set by CTR1, D0.

In Demodulation Mode, this bit is set to 1 when a falling edge is detected in the input signal. In order to reset it, a 1 should be written to this location.

Note: Modifying CTR1, (D1 or D0) while the counters are enabled will cause un-predictable output from T8/16_OUT.

FUNCTIONAL DESCRIPTION (Continued)**CTR2 (D)H02:** Counter/Timer16 Control Register.

Field	Bit Position		Value	Description
T16_Enable	7-----	R	0*	Counter Disabled
			1	Counter Enabled
		W	0	Stop Counter
			1	Enable Counter
Single/Modulo-N	-6-----	R/W		Transmit Mode
			0	Modulo-N
			1	Single Pass
				Demodulation Mode
			0	T16 Recognizes Edge
1	T16 Does Not Recognize Edge			
Time_Out	--5-----	R	0	No Counter Time-Out
			1	Counter Time-Out Occurred
		W	0	No Effect
			1	Reset Flag to 0
T16_Clock	---43---	R/W	00	SCLK
			01	SCLK/2
			10	SCLK/4
			11	SCLK/8
Capture_INT_Mask	-----2--	R/W	0	Disable Data Capture Int. Enable Data Capture Int.
Counter_INT_Mask	-----1-	R/W	0	Disable Time-Out Int. Enable Time-Out Int.
P35_Out	-----0	R/W	0*	P35 as Port Output
			1	T16 Output on P35

Notes: * Indicates the value upon Power-On Reset**CTR2 Description****T16_Enable.** This field enables T16 when set to 1.**Single/Modulo-N.** In Transmit Mode, when set to 0, the counter reloads the initial value when terminal count is reached. When set to 1, the counter stops when the terminal count is reached.

In Demodulation Mode, when set to 0, T16 captures and reloads on detection of all the edges; when set to 1, T16 captures and detects on the first edge, but ignores the subsequent edges. For details, see the description of T16 Demodulation Mode.

Time_Out. This bit is set when T16 times out (terminal count reached). In order to reset it, a 1 should be written to this location.**T16_Clock.** Defines the frequency of the input signal to Counter/Timer16.**Capture_INT_Mask.** Set this bit to allow interrupt when data is captured into LO16 and HI16.**Counter_INT_Mask.** Set this bit to allow interrupt when T16 times out.**P35_Out.** This bit defines whether P35 is used as a normal output pin or T16 output.

Counter/Timer Functional Blocks

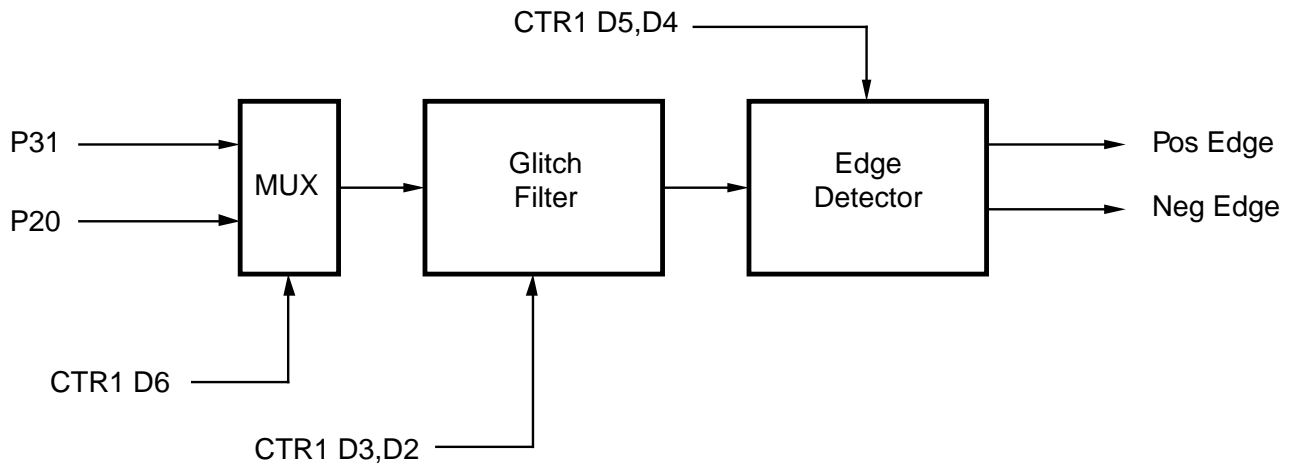


Figure 22. Glitch Filter Circuitry

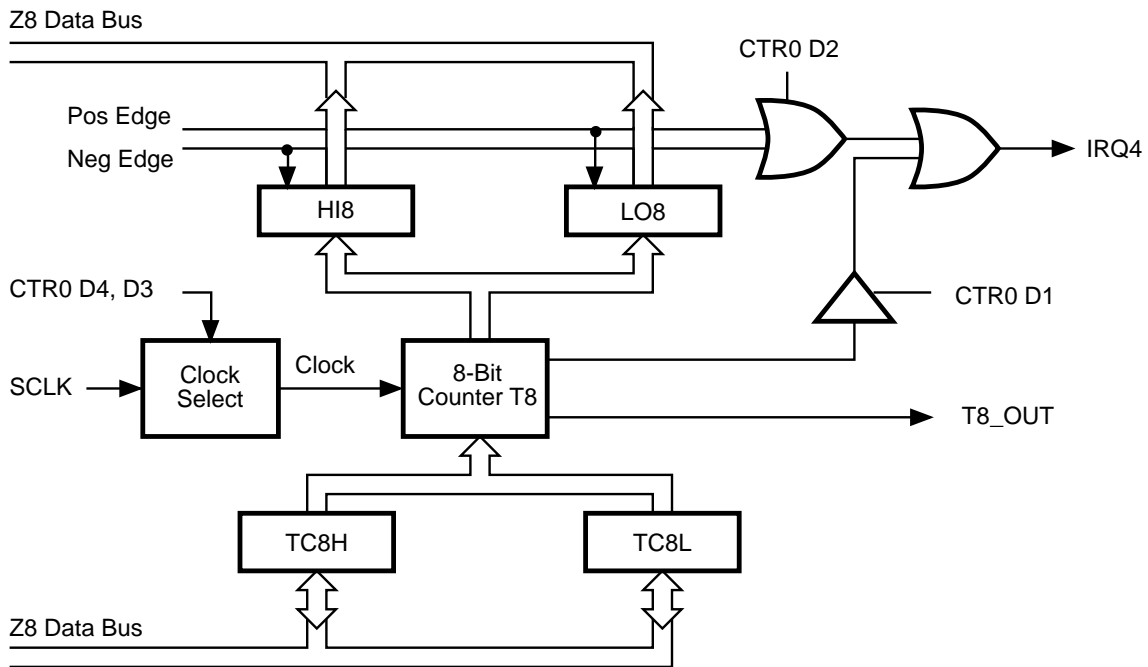


Figure 23. 8-Bit Counter/Timer Circuits

FUNCTIONAL DESCRIPTION (Continued)

Input Circuit

The edge detector monitors the input signal on P31 or P20. Based on CTR1 D5-D4, a pulse is generated at the Pos Edge or Neg Edge line when an edge is detected. Glitches in the input signal which have a width less than specified (CTR1 D3, D2) are filtered out.

T8 Transmit Mode

When T8 is enabled, the output of T8 depends on CTR1, D1. If it is 0, T8_OUT is 1. If it is 1, T8_OUT is 0.

When T8 is enabled, the output T8_OUT switches to the initial value (CTR1 D1). If the initial value (CTR1 D1) is 0, TC8L is loaded, otherwise TC8H is loaded into the counter. In Single-Pass Mode (CTR0 D6), T8 counts down to 0 and stops, T8_OUT toggles, the time-out status bit (CTR0 D5) is set, and a time-out interrupt can be generated if it is enabled (CTR0 D1) (Figure 24). In Modulo-N Mode, upon reaching terminal count, T8_OUT is toggled, but no interrupt is generated. Then T8 loads a new count (if the T8_OUT level now is 0), TC8L is loaded; if it is 1, TC8H is loaded. T8 counts down to 0, toggles T8_OUT,

sets the time-out status bit (CTR0 D5) and generates an interrupt if enabled (CTR0 D1) (Figure 25). This completes one cycle. T8 then loads from TC8H or TC8L according to the T8_OUT level, and repeats the cycle.

The user can modify the values in TC8H or TC8L at any time. The new values take effect when they are loaded. Care must be taken not to write these registers at the time the values are to be loaded into the counter/timer, to ensure known operation. **An initial count of 1 is not allowed (a non-function will occur).** An initial count of 0 will cause TC8 to count from 0 to %FF to %FE (Note, % is used for hexadecimal values). Transition from 0 to %FF is not a time-out condition.

Note: Using the same instructions for stopping the counter/timers and setting the status bits is not recommended. Two successive commands, first stopping the counter/timers, then resetting the status bits is necessary. This is required because it takes one counter/timer clock interval for the initiated event to actually occur.

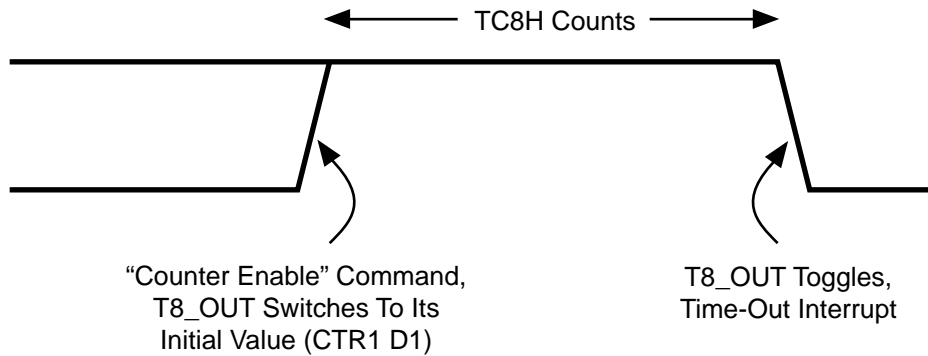


Figure 24. T8_OUT in Single-Pass Mode

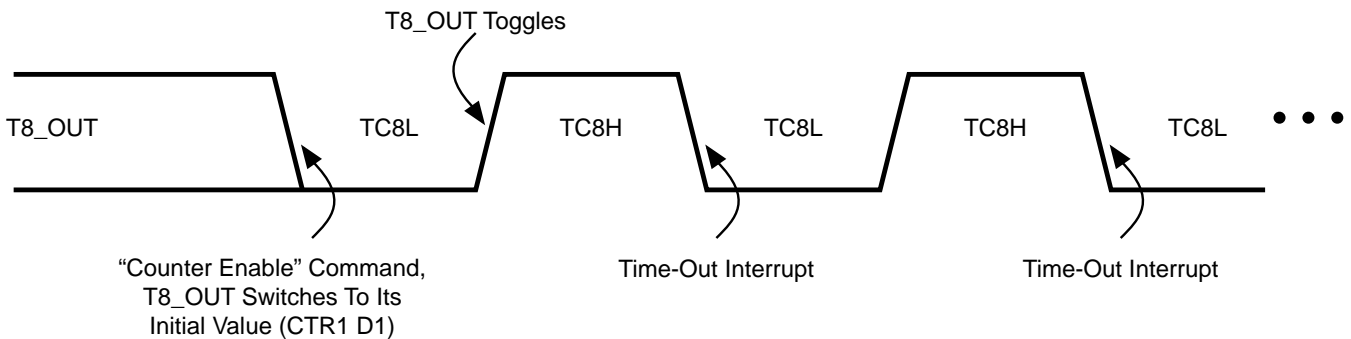


Figure 25. T8_OUT in Modulo-N Mode

T8 Demodulation Mode

The user should program TC8L and TC8H to %FF. After T8 is enabled, when the first edge (rising, falling, or both depending on CTR1 D5, D4) is detected, it starts to count down. When a subsequent edge (rising, falling, or both depending on CTR1 D5, D4) is detected during counting, the current value of T8 is one's complemented and put into one of the capture registers. If it is a positive edge, data is

put into LO8, if negative edge, HI8. One of the edge detect status bits (CTR1 D1, D0) is set, and an interrupt can be generated if enabled (CTR0 D2). Meanwhile, T8 is loaded with %FF and starts counting again. Should T8 reach 0, the time-out status bit (CTR0 D5) is set, an interrupt can be generated if enabled (CTR0 D1), and T8 continues counting from %FF (Figure 26).

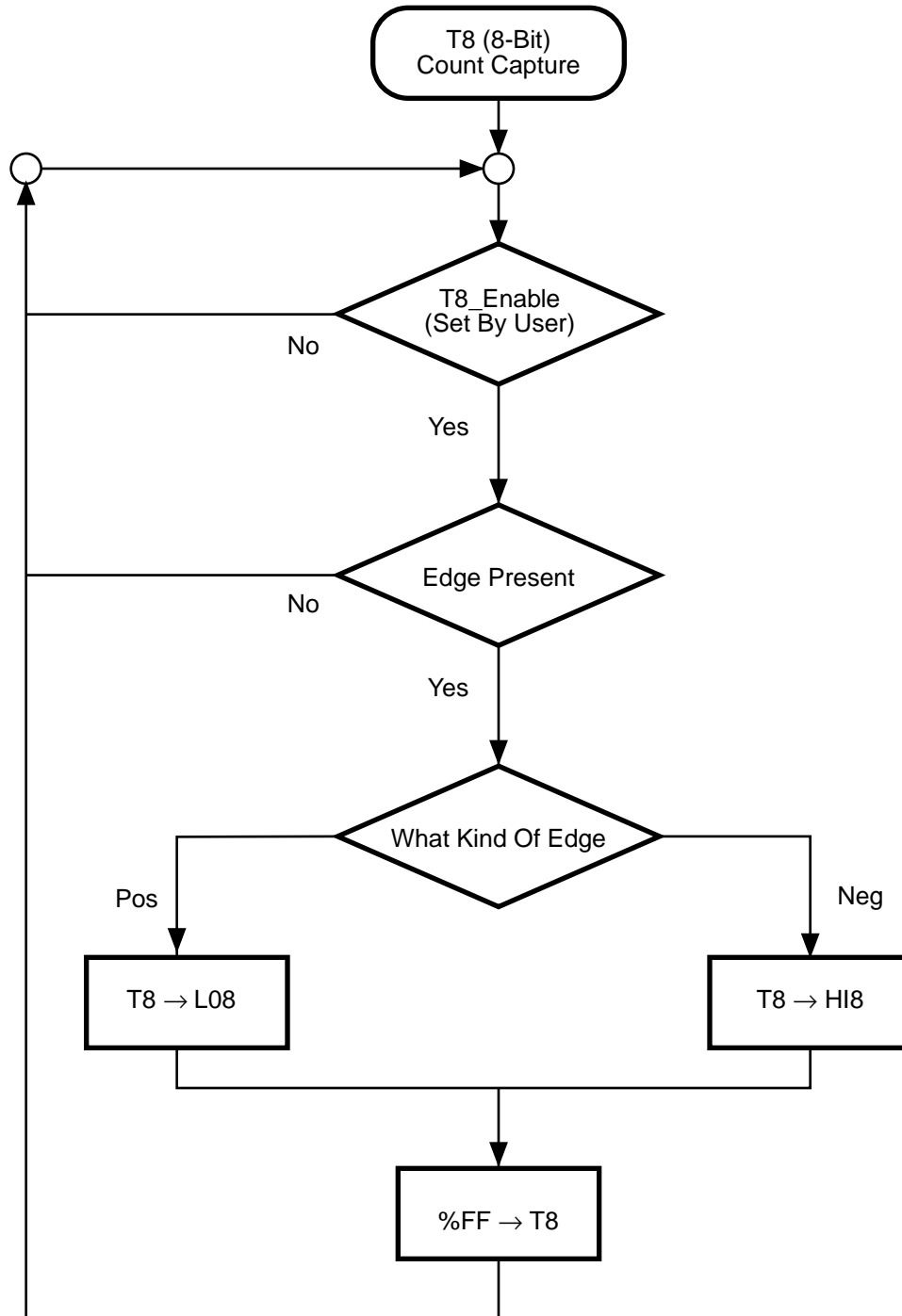


Figure 26. Demodulation Mode Count Capture Flowchart

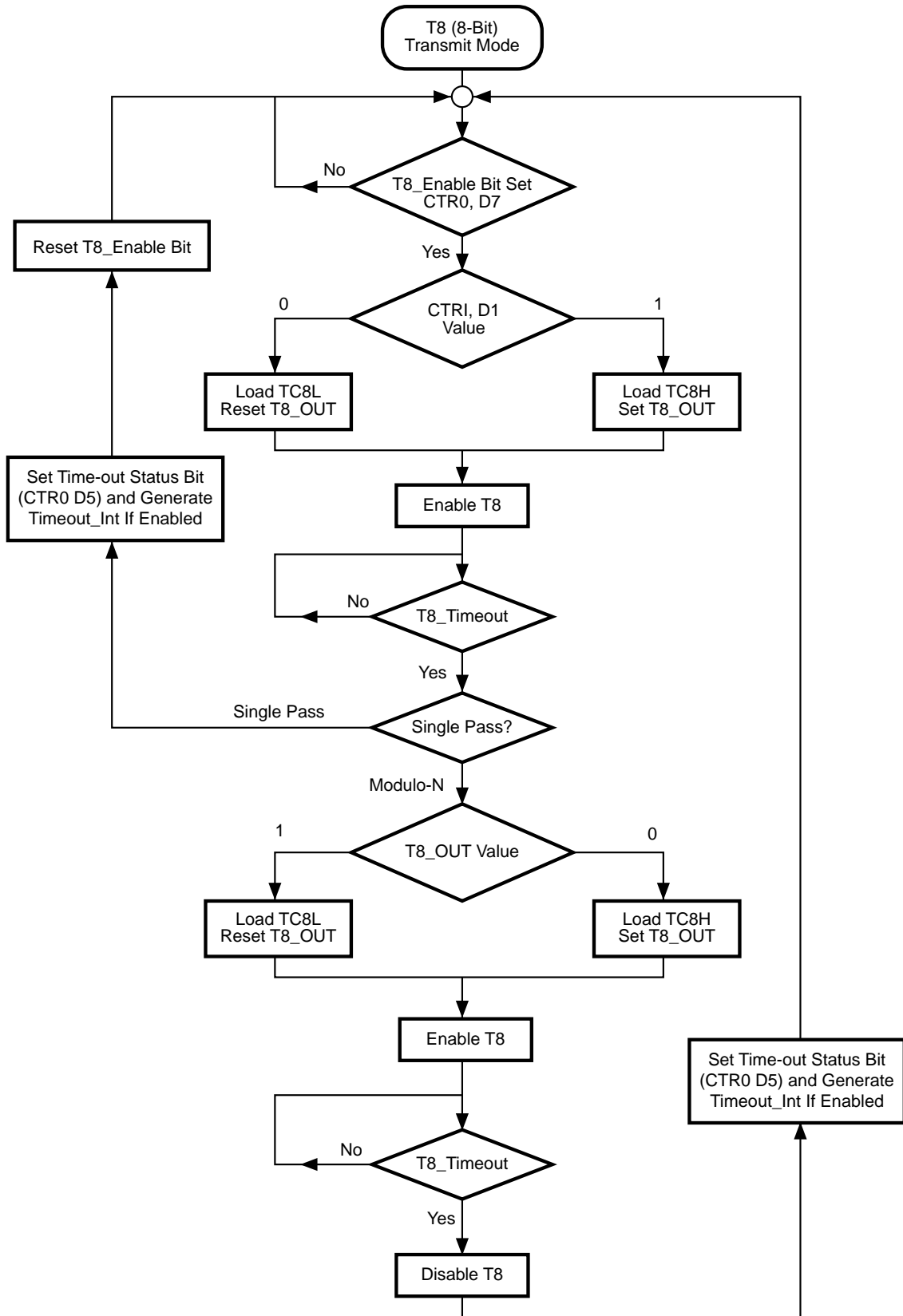


Figure 27. Transmit Mode Flowchart

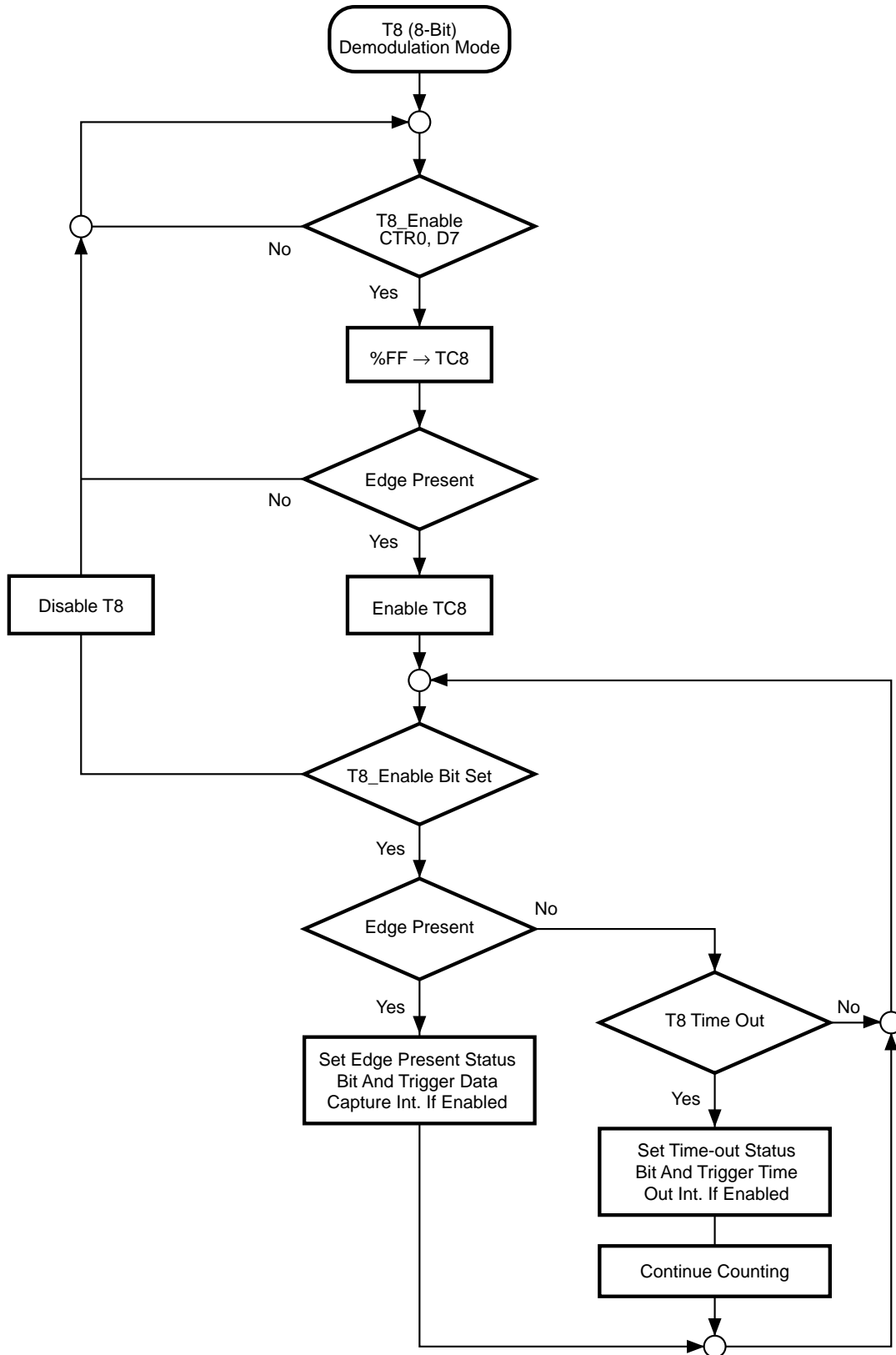


Figure 28. Demodulation Mode Flowchart

FUNCTIONAL DESCRIPTION (Continued)

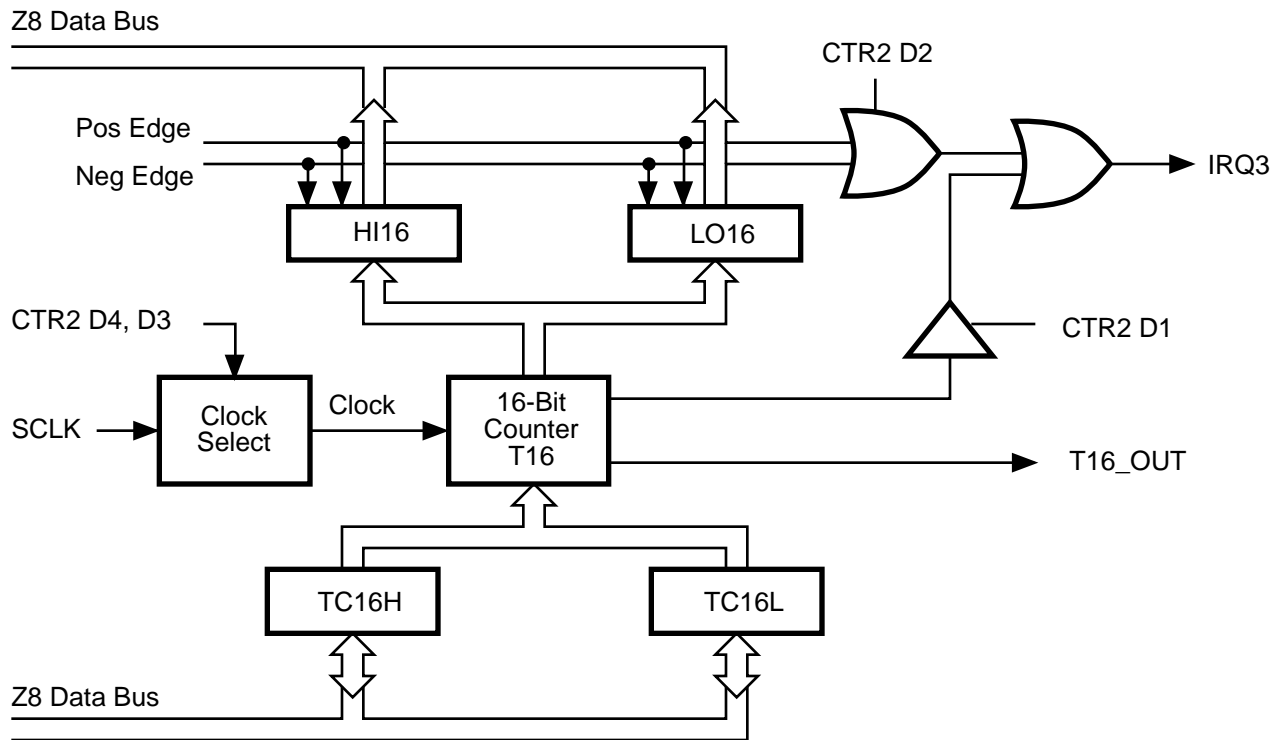


Figure 29. 16-bit Counter/Timer Circuits

T16 Transmit Mode

In Normal or Ping-Pong Mode, the output of T16 when not enabled is dependent on CTR1, D0. If it is a 0, T16_OUT is a 1; if it is a 1, T16_OUT is 0. The user can force the output of T16 to either a 0 or 1 whether it is enabled or not by programming CTR1 D3, D2 to a 10 or 11.

When T16 is enabled, TC16H * 256 + TC16L is loaded, and T16_OUT is switched to its initial value (CTR1 D0). When T16 counts down to 0, T16_OUT is toggled (in Normal or Ping-Pong Mode), an interrupt is generated if enabled (CTR2 D1), and a status bit (CTR2 D5) is set. Note that global interrupts will override this function as described in the interrupts section. If T16 is in Single-Pass Mode, it is stopped at this point. If it is in Modulo-N Mode, it is loaded with TC16H * 256 + TC16L and the counting continues.

The user can modify the values in TC16H and TC16L at any time. The new values take effect when they are loaded. Care must be taken not to load these registers at the time the values are to be loaded into the counter/timer, to ensure known operation. An initial count of 1 is not allowed. An initial count of 0 will cause T16 to count from 0 to %FF FF to %FFFE. Transition from 0 to %FFFF is not a time-out condition.

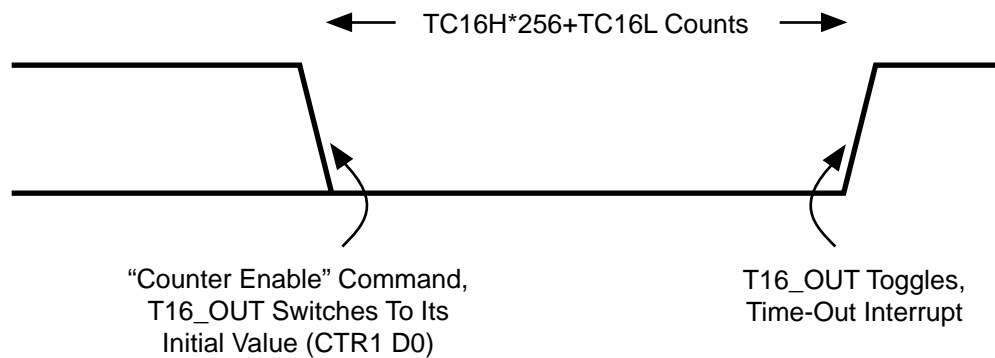


Figure 30. T16_OUT in Single-Pass Mode

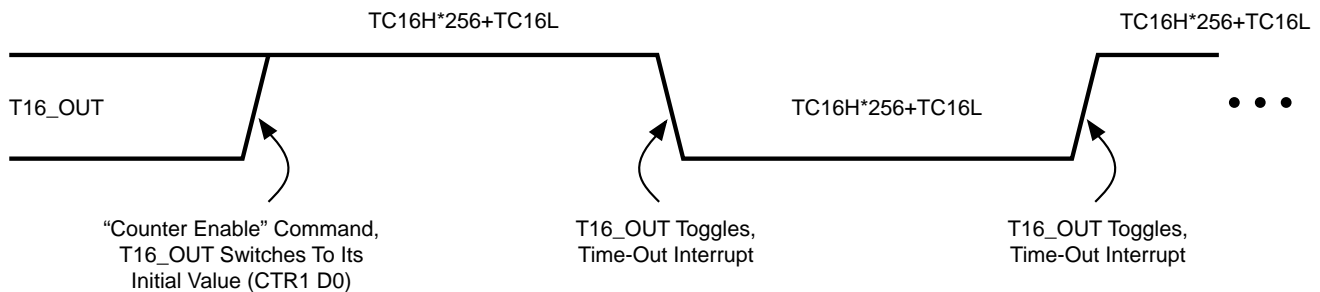


Figure 31. T16_OUT in Modulo-N Mode

T16 Demodulation Mode

The user should program TC16L and TC16H to %FF. After T16 is enabled, when the first edge (rising, falling, or both depending on CTR1 D5, D4) is detected, T16 captures HI16 and LO16 reloads and begins counting.

If D6 of CTR2 is 0: When a subsequent edge (rising, falling, or both depending on CTR1 D5, D4) is detected during counting, the current count in T16 is one's complemented and put into HI16 and LO16. When data is captured, one of the edge detect status bits (CTR1 D1, D0) is set and an interrupt is generated if enabled (CTR2 D2). T16 is loaded with %FFFF and starts again.

If D6 of CTR2 is 1: T16 ignores the subsequent edges in the input signal and continues counting down. A time out of T8 will cause T16 to capture its current value and generate an interrupt if enabled (CTR2, D2). In this case, T16 does not reload and continues counting. If D6 bit of CTR2 is toggled (by writing a 0 then a 1 to it), T16 will capture and reload on the next edge (rising, falling, or both depending on CTR1 D5, D4) but continue to ignore subsequent edges.

Should T16 reach 0, it continues counting from %FFFF; meanwhile, a status bit (CTR2 D5) is set and an interrupt time-out can be generated if enabled (CTR2 D1).

FUNCTIONAL DESCRIPTION (Continued)

Ping-Pong Mode

This operation mode is only valid in Transmit Mode. T8 and T16 need to be programmed in Single-Pass Mode (CTR0 D6, CTR2 D6) and Ping-Pong Mode needs to be programmed in CTR1 D3, D2. The user can begin the operation by enabling either T8 or T16 (CTR0 D1 or CTR2 D7). For example, if T8 is enabled, T8_OUT is set to this initial value (CTR1 D1). According to T8_OUT's level, TC8H or TC8L is loaded into T8. After the terminal count is reached, T8 is disabled and T16 is enabled. T16_OUT switches to its initial value (CTR1 D0), data from TC16H

and TC16L is loaded, and T16 starts to count. After T16 reaches the terminal count it stops, T8 is enabled again, and the whole cycle repeats. Interrupts can be allowed when T8 or T16 reaches terminal control (CTR0 D1, CTR2 D1). To stop the Ping-Pong operation, write 00 to bits D3 and D2 of CTR1.

Note: Enabling Ping-Pong operation while the counter/timers are running may cause intermittent counter/timer function. Disable the counter/timers, then reset the status flags prior to instituting this operation.

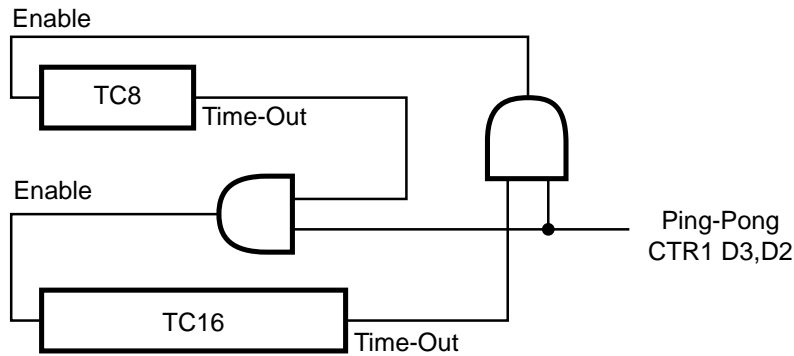


Figure 32. Ping-Pong Mode

To Initiate Ping-Pong Mode

First, make sure both counter/timers are not running. Then set T8 into Single-Pass Mode (CTR0 D6), set T16 into Single-Pass Mode (CTR2 D6), and set Ping-Pong Mode (CTR1 D2, D3). These instructions do not have to be in any particular order. Finally, start Ping-Pong Mode by enabling either T8 (CTR0 D7) or T16 (CTR2 D7).

During Ping-Pong Mode

The enable bits of T8 and T16 (CTR0 D7, CTR2 D7) will alternately be set and cleared by hardware. The time-out bits (CTR0 D5, CTR2 D5) will be set every time the counter/timers reach the terminal count.

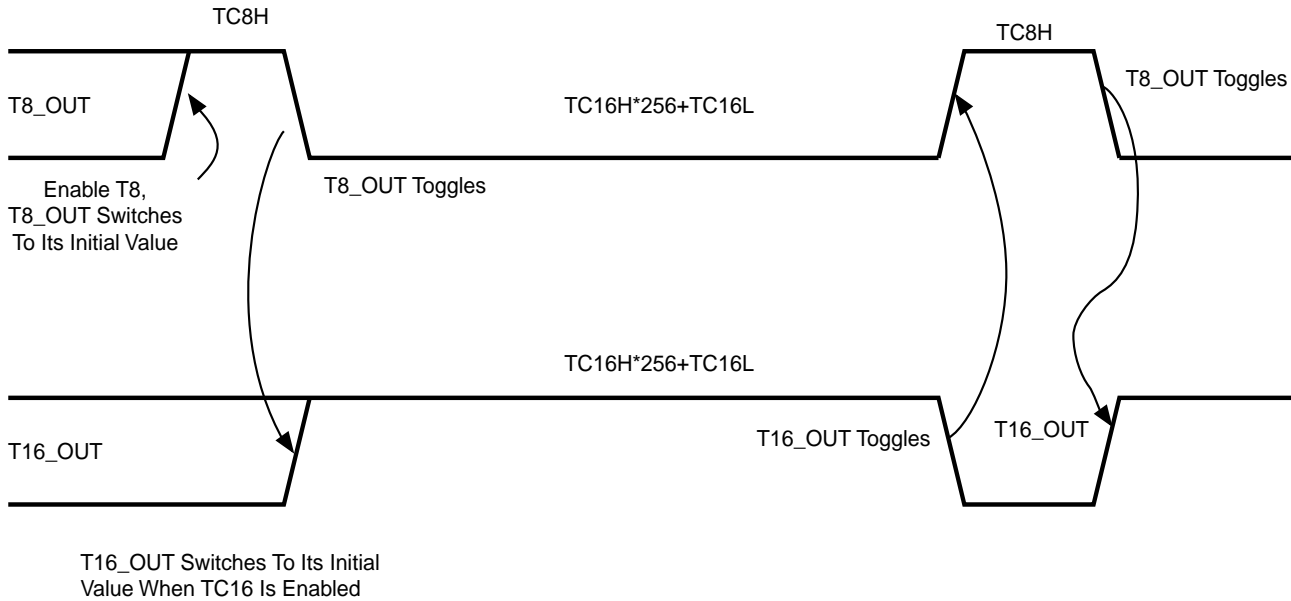


Figure 33. T8_OUT and T16_OUT in Ping-Pong Mode

FUNCTIONAL DESCRIPTION (Continued)

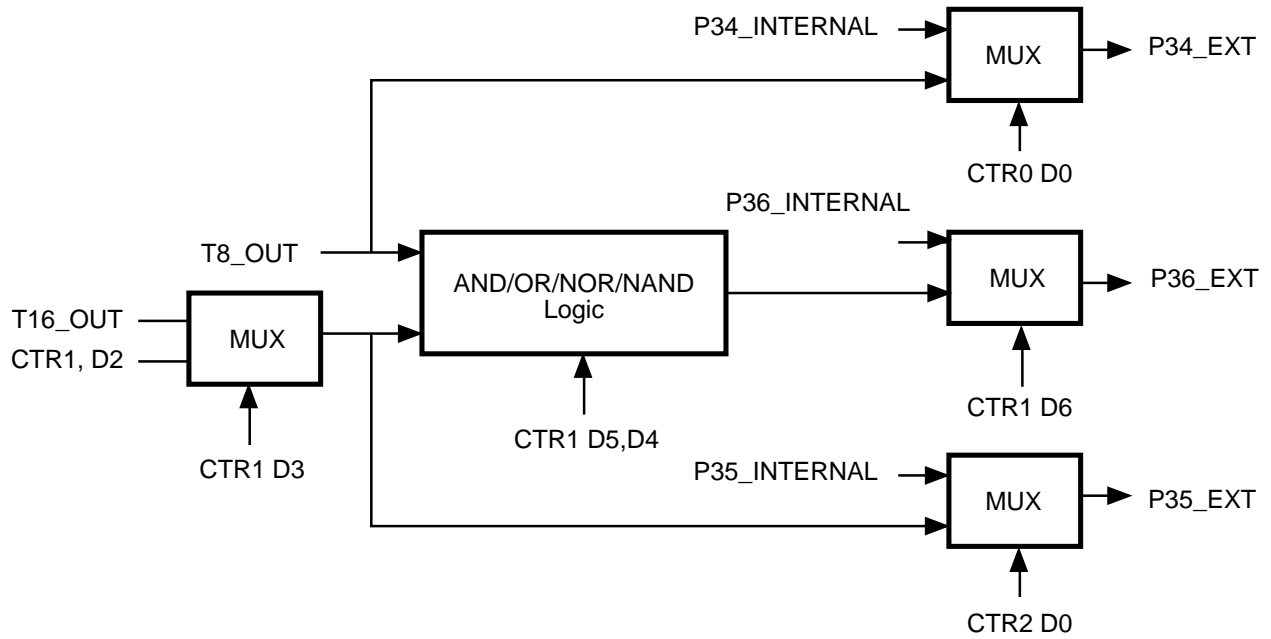


Figure 34. Output Circuit

Interrupts. The Z86L7X/CX2 has five different interrupts. The interrupts are maskable and prioritized (Figure 35). The five sources are divided as follows: three sources are claimed by Port 3 lines P33-P31, the remaining two by the

counter/timers (Table 3). The Interrupt Mask Register globally or individually enables or disables the five interrupt requests.

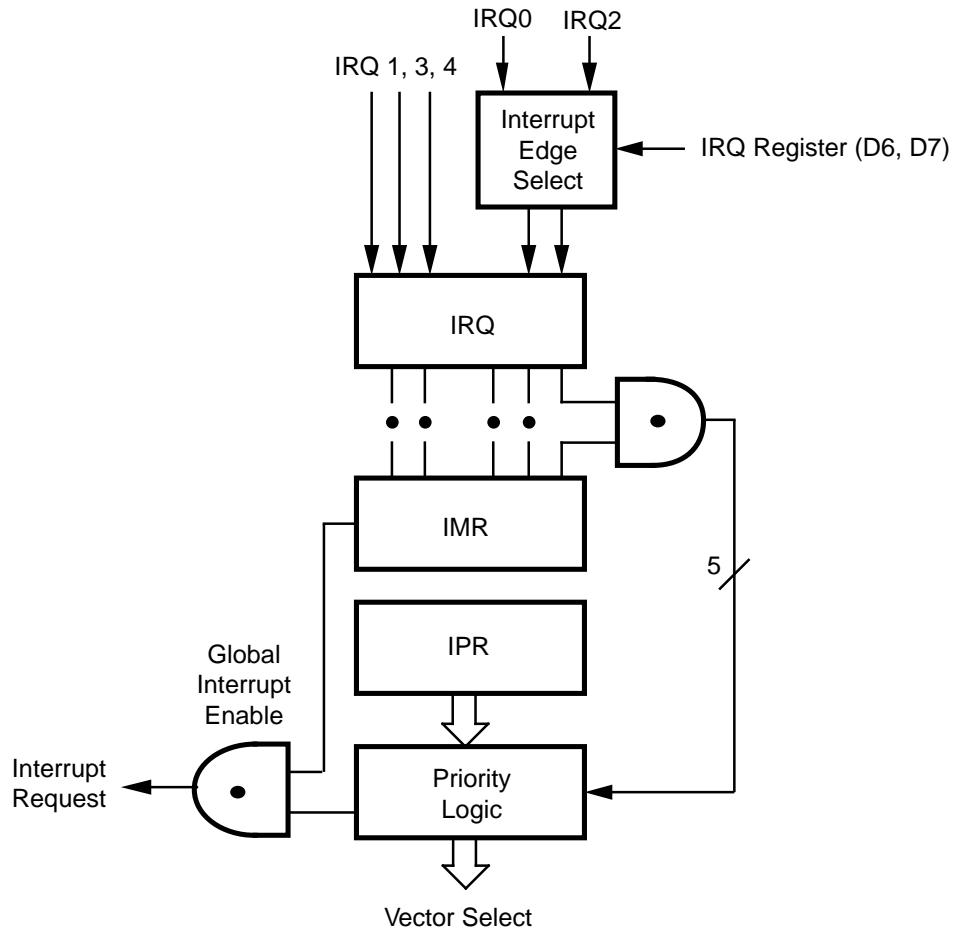


Figure 35. Interrupt Block Diagram

FUNCTIONAL DESCRIPTION (Continued)

Table 3. Interrupt Types, Sources, and Vectors

Name	Source	Vector Location	Comments
IRQ0	/DAV0, IRQ0	0, 1	External (P32), Rising Falling Edge Triggered
IRQ1	IRQ1	2, 3	External (P33), Falling Edge Triggered
IRQ2	/DAV2, IRQ2, T _{IN}	4, 5	External (P31), Rising Falling Edge Triggered
IRQ3	T16	6, 7	Internal
IRQ4	T8	8, 9	Internal

When more than one interrupt is pending, priorities are resolved by a programmable priority encoder controlled by the Interrupt Priority register. An interrupt machine cycle is activated when an interrupt request is granted. This disables all subsequent interrupts, saves the Program Counter and Status Flags, and then branches to the program memory vector location reserved for that interrupt. All Z86L/CX2 interrupts are vectored through locations in the program memory. This memory location and the next byte contain the 16-bit address of the interrupt service routine for that particular interrupt request. To accommodate polled interrupt systems, interrupt inputs are masked and the Interrupt Request register is polled to determine which of the interrupt requests need service.

An interrupt resulting from AN1 is mapped into IRQ2, and an interrupt from AN2 is mapped into IRQ0. Interrupts IRQ2 and IRQ0 may be rising, falling, or both edge triggered, and are programmable by the user. The software can poll to identify the state of the pin.

Programming bits for the Interrupt Edge Select are located in the IRQ Register (R250), bits D7 and D6. The configuration is shown in Table 4.

Table 4. IRQ Register

IRQ		Interrupt Edge	
D7	D6	IRQ2 (P31)	IRQ0 (P32)
0	0	F	F
0	1	F	R
1	0	R	F
1	1	R/F	R/F

Notes:

F = Falling Edge

R = Rising Edge

In analog mode, the Stop-Mode Recovery sources selected by the SMR register are connected to the IRQ1 input. Any of the Stop-Mode Recovery sources for SMR (except P31, P32, and P33) can be used to generate IRQ1 (falling edge triggered)

Clock. The Z86L/CX2 on-chip oscillator has a high-gain, parallel-resonant amplifier for connection to a crystal, LC, ceramic resonator, or any suitable external clock source (XTAL1 = Input, XTAL2 = Output). The crystal should be AT cut, 1 MHz to 8 MHz maximum, with a series resistance (RS) less than or equal to 100 Ohms. The Z86L/CX2 on-chip oscillator may be driven with a cost-effective RC network or other suitable external clock source.

The crystal should be connected across XTAL1 and XTAL2 using the recommended capacitors (capacitance greater than or equal to 22 pF) from each pin to ground. The RC oscillator configuration is an external resistor connected from XTAL1 to XTAL2, with a frequency-setting capacitor from XTAL1 to ground (Figure 36).

Power-On Reset (POR). A timer circuit clocked by a dedicated on-board RC oscillator is used for the Power-On Reset (POR) timer function. The POR time allows V_{CC} and the oscillator circuit to stabilize before instruction execution begins.

The POR timer circuit is a one-shot timer triggered by one of three conditions:

1. Power Fail to Power OK status.
2. Stop-Mode Recovery (if D5 of SMR = 1).
3. WDT Time-Out.

The POR time is a nominal 5 ms. Bit 5 of the Stop-Mode Register determines whether the POR timer is bypassed after Stop-Mode Recovery (typical for external clock, RC, LC oscillators).

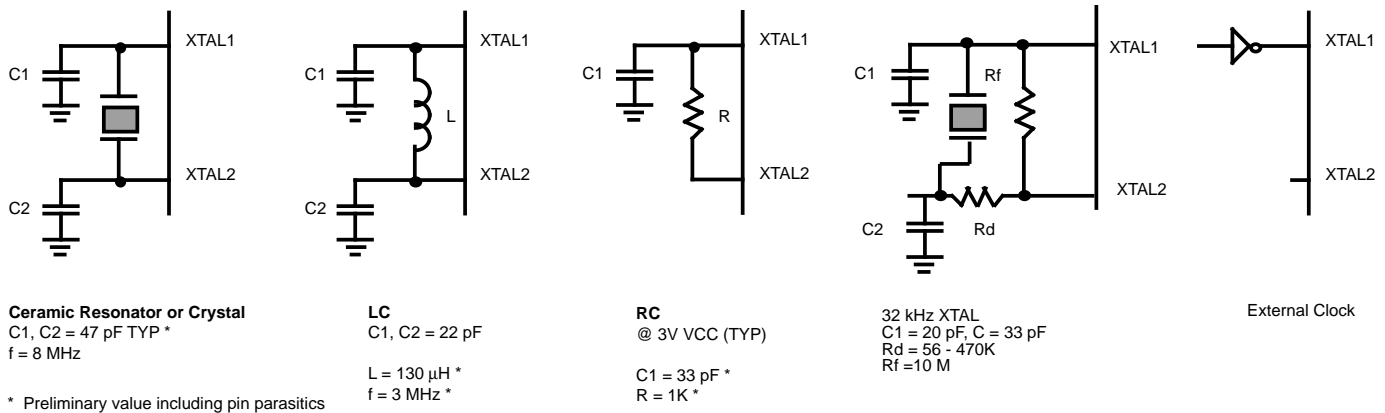


Figure 36. Oscillator Configuration

HALT. HALT turns off the internal CPU clock, but not the XTAL oscillation. The counter/timers and external interrupts IRQ0, IRQ1, IRQ2, IRQ3, and IRQ4 remain active. The devices are recovered by interrupts, either externally or internally generated. An interrupt request must be executed (enabled) to exit HALT mode. After the interrupt service routine, the program continues from the instruction after the HALT.

STOP. This instruction turns off the internal clock and external crystal oscillation and reduces the standby current to 10 μ A (typical) or less. STOP mode is terminated only by a reset, such as WDT time-out, POR, SMR, or external reset. This causes the processor to restart the application program at address 000CH. In order to enter STOP (or HALT) mode, it is necessary to first flush the instruction pipeline to avoid suspending execution in mid-instruction. To do this, the user must execute a NOP (opcode = FFH) immediately before the appropriate sleep instruction, i.e.,

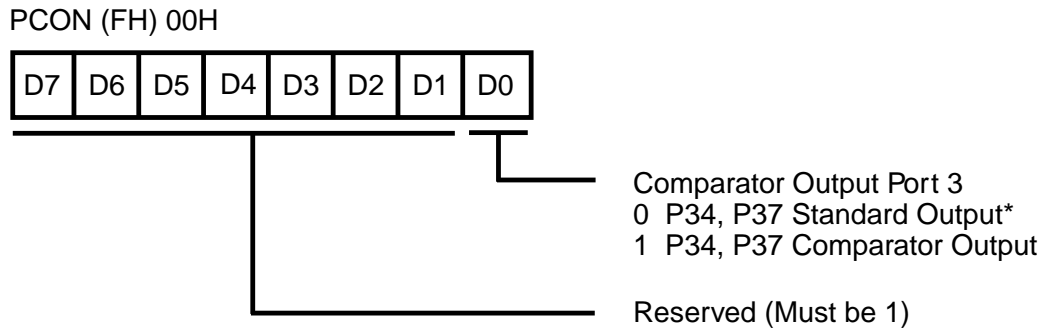
```

FF  NOP   ; clear the pipeline
6F  STOP  ; enter STOP mode
or
FF  NOP   ; clear the pipeline
7F  HALT  ; enter HALT mode

```

FUNCTIONAL DESCRIPTION (Continued)

Port Configuration Register (PCON). The PCON register configures the comparator output on Port 3. It is located in the expanded register file at Bank F, location 00 (Figure 37).



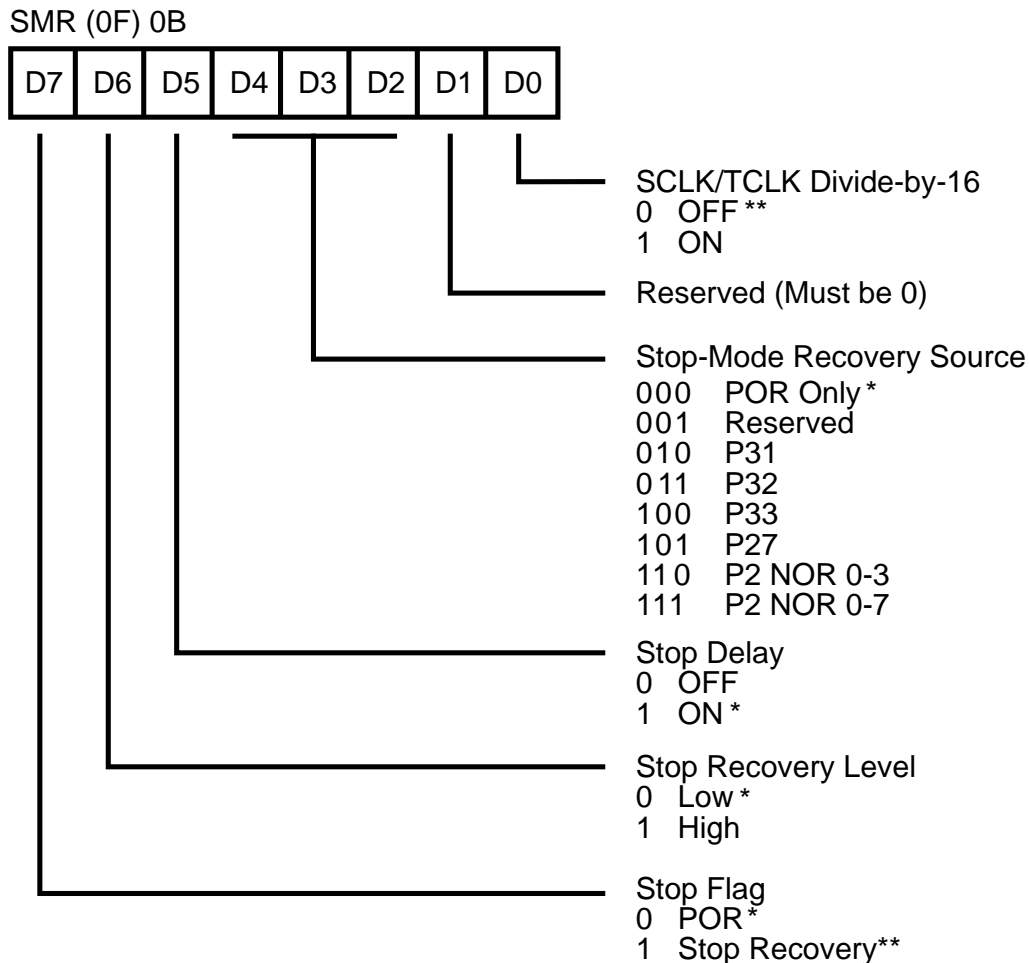
* Default Setting After Reset

**Figure 37. Port Configuration Register (PCON)
(Write Only)**

Comparator Output Port 3 (D0). Bit 0 controls the comparator used in Port 3. A 1 in this location brings the comparator outputs to P34 and P37, and a 0 releases the Port to its standard I/O configuration.

Stop-Mode Recovery Register (SMR). This register selects the clock divide value and determines the mode of Stop-Mode Recovery (Figure 38). All bits are write only except bit 7, which is read only. Bit 7 is a flag bit that is hard-

ware set on the condition of STOP recovery and reset by a power-on cycle. Bit 6 controls whether a low level or a high level is required from the recovery source. Bit 5 controls the reset delay after recovery. Bits D2, D3, and D4, of the SMR register, specify the source of the Stop-Mode Recovery signal. Bit D0 determines if SCLK/TCLK are divided by 16 or not. The SMR is located in Bank F of the Expanded Register Group at address 0BH.

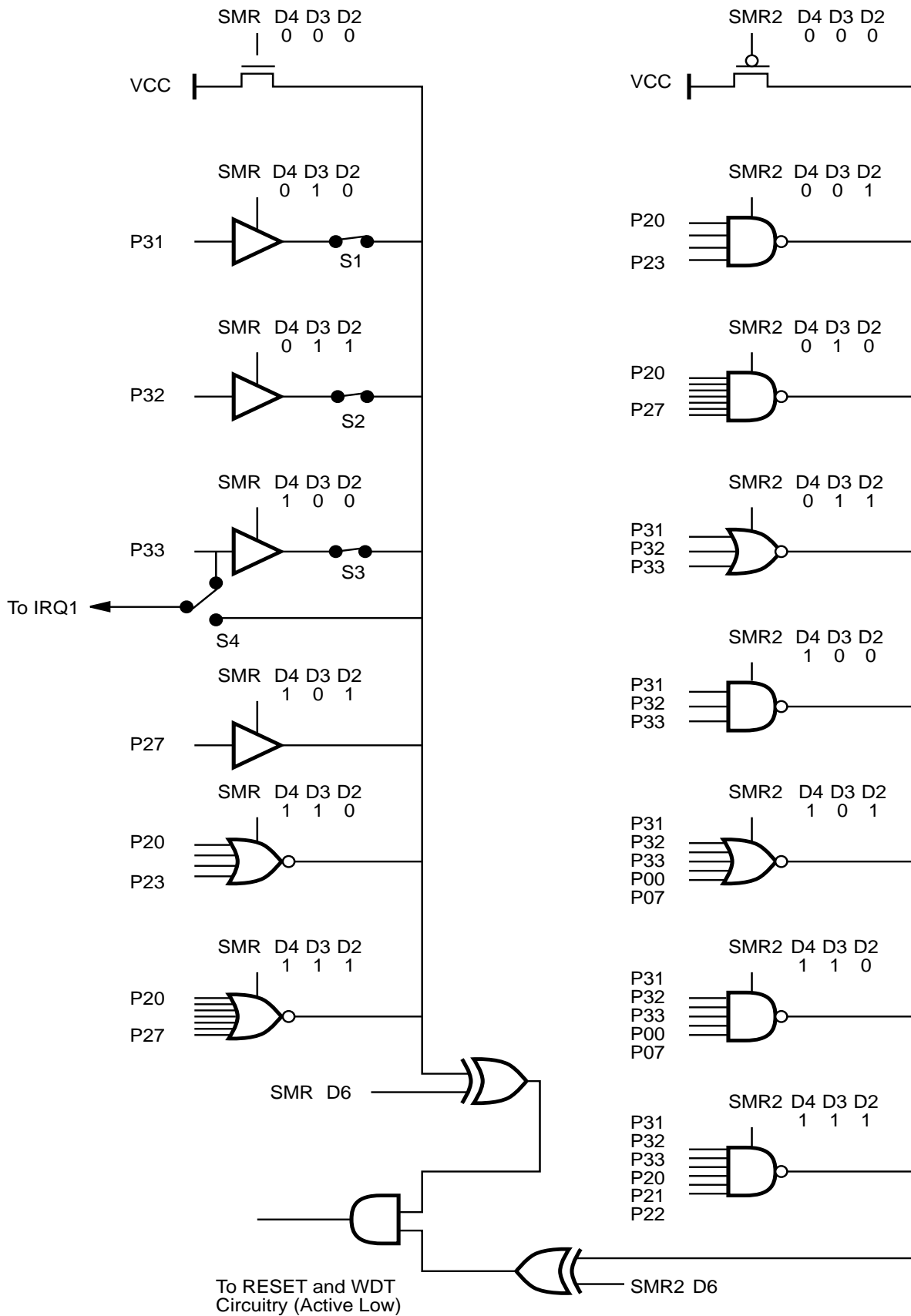


* Default Setting After Reset

** Default Setting After Reset and Stop-Mode Recovery

Figure 38. Stop-Mode Recovery Register

FUNCTIONAL DESCRIPTION (Continued)



SCLK/TCLK Divide-by-16 Select (D0). D0 of the SMR controls a Divide-by-16 prescaler of SCLK/TCLK. The purpose of this control is to selectively reduce device power consumption during normal processor execution (SCLK control) and/or HALT mode (where TCLK sources interrupt logic). After Stop-Mode Recovery, this bit is set to a 0.

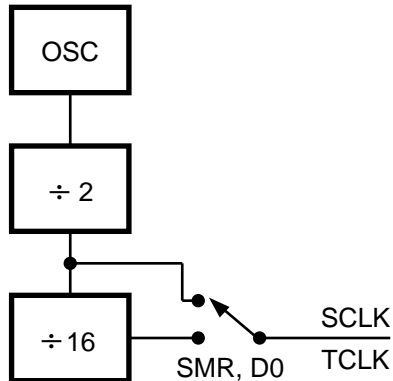


Figure 40. SCLK Circuit

Stop-Mode Recovery Source (D2, D3, and D4). These three bits of the SMR specify the wake up source of the STOP recovery (Figure 39 and Table 5).

Table 5. Stop-Mode Recovery Source

D4	D3	D2	Description of Action
0	0	0	POR and/or external reset recovery
0	0	1	Reserved
0	1	0	P31 transition
0	1	1	P32 transition
1	0	0	P33 transition
1	0	1	P27 transition
1	1	0	Logical NOR of P20 through P23
1	1	1	Logical NOR of P20 through P27

P33-P31 cannot wake up from stop mode if the input lines are configured as analog input.

Note: Any Port 2 bit defined as an output will drive the corresponding input to the default state to allow the remaining inputs to control the AND/OR function. Refer to SMR2 register for other recover sources.

Stop-Mode Recovery Delay Select (D5). This bit, if Low, disables the 5 ms /RESET delay after Stop-Mode Recovery. The default configuration of this bit is one. If the "fast" wake up is selected, the Stop-Mode Recovery source needs to be kept active for at least 5TpC.

Stop-Mode Recovery Edge Select (D6). A 1 in this bit position indicates that a High level on any one of the recovery sources wakes the Z86L/CX2 from STOP mode. A 0 indicates Low level recovery. The default is 0 on POR (Figure 36).

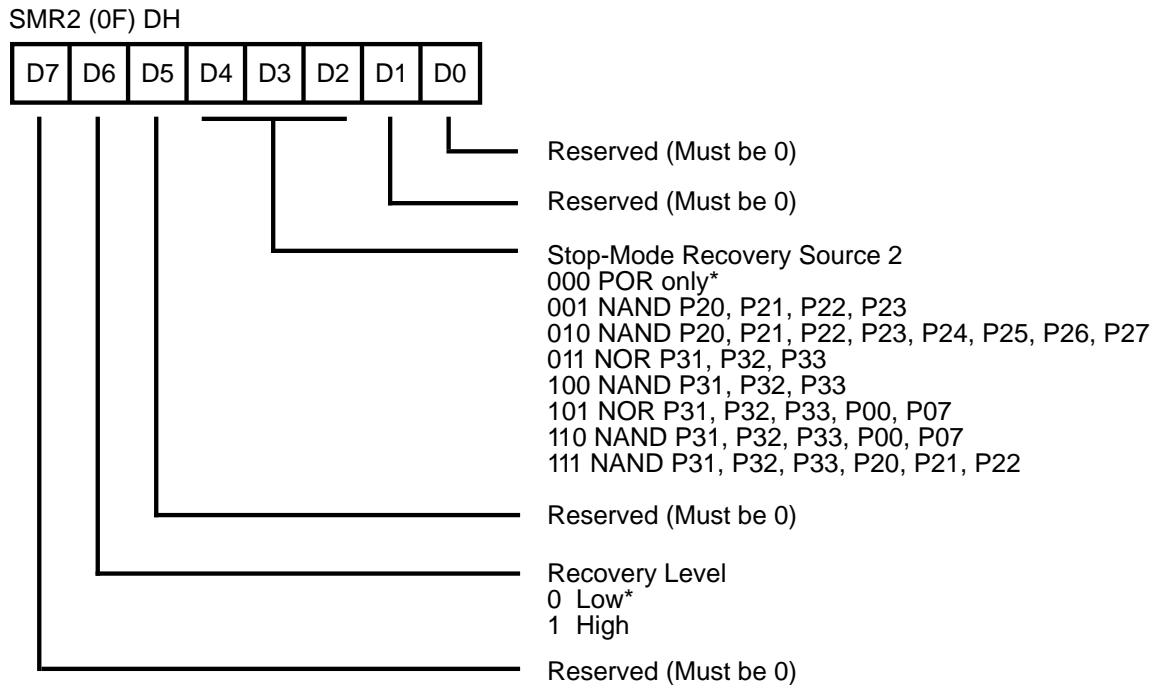
Cold or Warm Start (D7). This bit is set by the device upon entering STOP mode. It is a Read Only Flag bit. A 1 in D7 (warm) indicates that the device will awaken from a SMR source or a WDT while in STOP mode. A 0 in this bit (cold) indicates that the device will be reset by a POR, WDT while not in STOP, or the device was awakened by a low voltage standby mode.

Stop-Mode Recovery Register 2 (SMR2). This register determines the mode of the Stop Mode Recovery for SMR2.

If SMR2 is used in conjunction with SMR, either of the specified events will cause a Stop-Mode Recovery.

Note: Port pins configured as outputs are ignored as a SMR or SMR2 recovery source. For example, if the NAND of P23-P20 is selected as the recovery source and P20 is configured as an output then the remaining SMR pins (P23-P21) form the NAND equation.

FUNCTIONAL DESCRIPTION (Continued)



Note: If used in conjunction with SMR, either of the two specified events will cause a Stop-Mode Recovery.

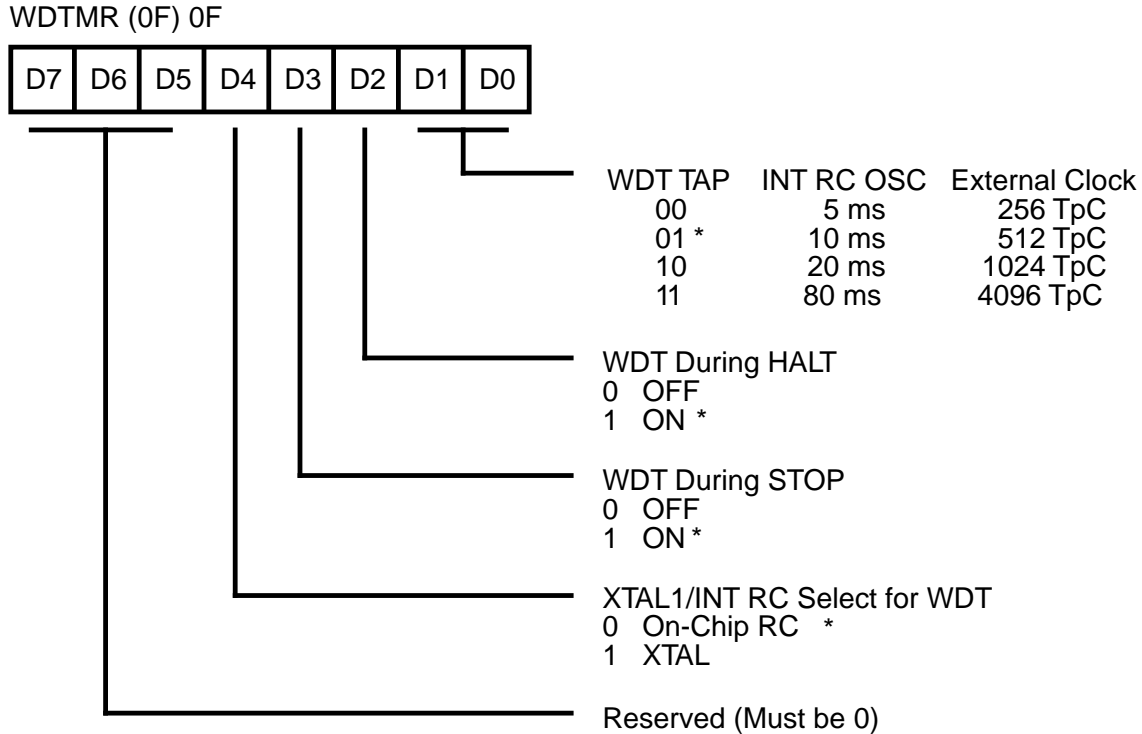
*Default Setting After Reset

**Figure 41. Stop-Mode Recovery Register 2
 ((0F) DH: D2-D4, D6 Write Only)**

Watch-Dog Timer Mode Register (WDTMR). The WDT is a retriggerable one-shot timer that resets the Z8 if it reaches its terminal count. The WDT must initially be enabled by executing the WDT instruction and refreshed on subsequent executions of the WDT instruction. The WDT circuit is driven by an on-board RC oscillator or external oscillator from the XTAL1 pin. The WDT instruction affects the Zero (Z), Sign (S), and Overflow (V) flags.

The POR clock source is selected with bit 4 of the WDT register. Bit 0 and 1 control a tap circuit that determines the

time-out period. Bit 2 determines whether the WDT is active during HALT and Bit 3 determines WDT activity during STOP. Bits 5 through 7 are reserved (Figure 42). This register is accessible only during the first 64 processor cycles (128 XTAL clocks) from the execution of the first instruction after Power-On-Reset, Watch-Dog Reset, or a Stop-Mode Recovery (Figure 38). After this point, the register cannot be modified by any means, intentional or otherwise. The WDTMR cannot be read and is located in Bank F of the Expanded Register Group at address location 0FH. It is organized as follows:



* Default Setting After Reset

Figure 42. Watch-Dog Timer Mode Register (Write Only)

FUNCTIONAL DESCRIPTION (Continued)

WDT Time Select (D0, D1). Selects the WDT time period. It is configured as shown in Table 6.

Table 6. WDT Time Select

D1	D0	Time-Out of Internal RC OSC	Time-Out of XTAL Clock
0	0	5 ms min	256 TpC
0	1	10 ms min	512 TpC
1	0	20 ms min	1024 TpC
1	1	80 ms min	4096 TpC

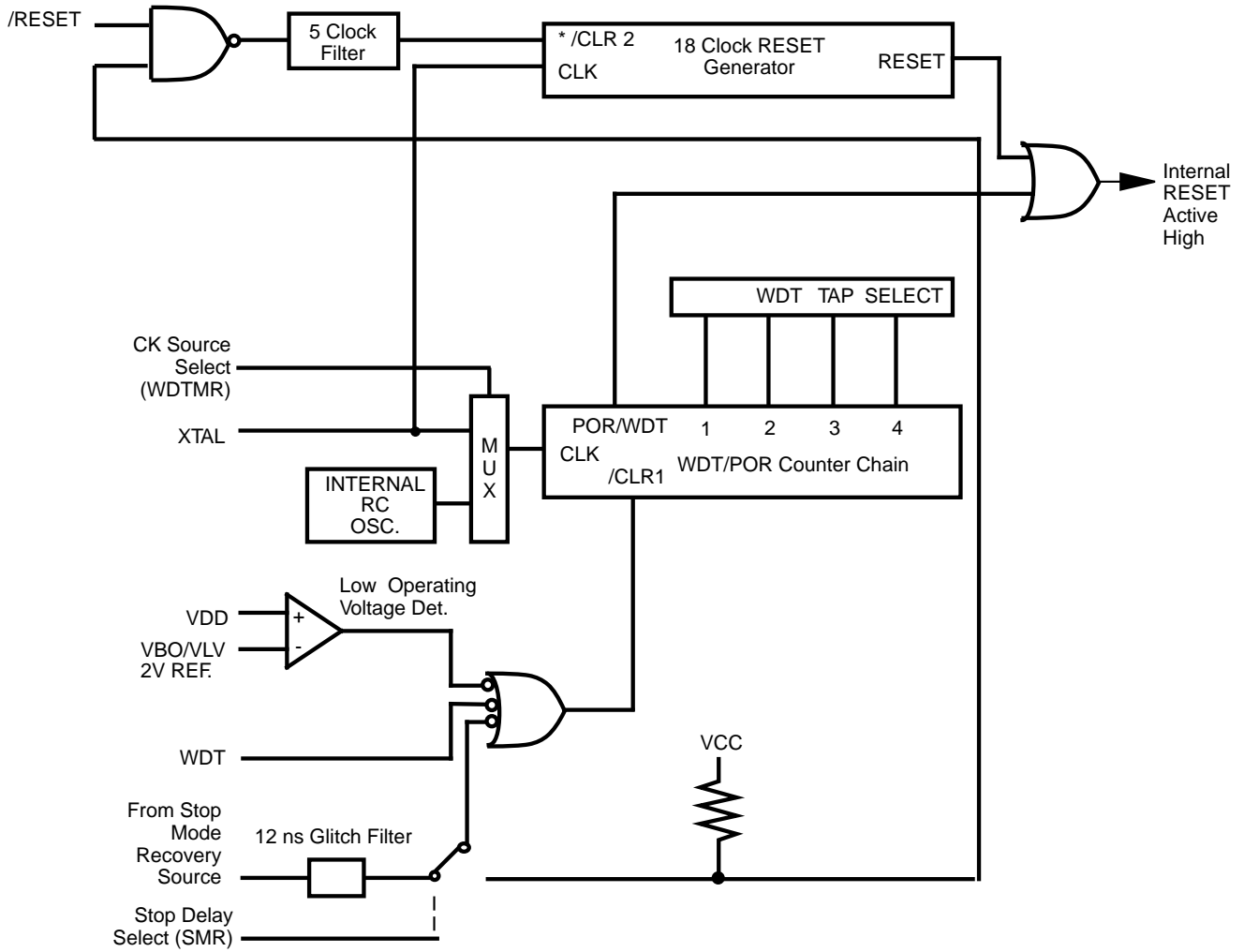
Notes:

TpC = XTAL clock cycle.
The default on reset is 10 ms.

WDTMR During HALT (D2). This bit determines whether or not the WDT is active during HALT mode. A 1 indicates active during HALT. The default is 1.

WDTMR During STOP (D3). This bit determines whether or not the WDT is active during STOP mode. Since the XTAL clock is stopped during STOP mode, the on-board RC has to be selected as the clock source to the WDT/POR counter. A 1 indicates active during STOP. The default is 1.

Clock Source for WDT (D4). This bit determines which oscillator source is used to clock the internal POR and WDT counter chain. If the bit is a 1, the internal RC oscillator is bypassed and the POR and WDT clock source is driven from the external pin, XTAL1. The default configuration of this bit is 0, which selects the RC oscillator.



* /CLR1 and /CLR2 enable the WDT/POR and 18 Clock Reset timers upon a Low to High input translation.

Figure 43. Resets and WDT

FUNCTIONAL DESCRIPTION (Continued)

Mask Selectable Options. There are six Mask Selectable Options to choose from based on ROM code requirements. (See Table 7).

Table 7. Mask Selectable Options

Option	Function
Permanent Watch-Dog Timer	On/WDT command invoked
RAM Protect	On/Off
RC/Other	RC/XTAL
32 kHz XTAL	On/Off
Port 04-07 Pull-ups	On/Off
Port 00-03 Pull-ups	On/Off
Port 31-33 Pull-ups	On/Off
Port 20-27 Pull-ups	On/Off
Port 3 Mouse Mode 0.4 V _{DD} Trip	On/Off

Low Voltage Detection/Standby. An on-chip Voltage Comparator checks that the V_{CC} is at the required level for correct operation of the device. Reset is globally driven when V_{CC} falls below V_{LV} (Vrf1). A small further drop in V_{CC} causes the XTAL1 and XTAL2 circuitry to stop the crystal or resonator clock. Typical Low-Voltage power consumption in this Low Voltage Standby mode (I_{LV}) is about 45 μA (varying with the number of Mask selectable options enabled). If the V_{CC} is allowed to stay above V_{RAM}, the RAM content is preserved. When the power level is returned to above V_{LV}, the device will perform a POR and function normally (Figure 45).

The minimum operating voltage varies with the temperature and operating frequency, while V_{LV} varies with temperature only.

The Low Voltage trip voltage (V_{LV}) is less than 2.1V under the following conditions:

Maximum (V_{LV}) Conditions:

T_A = 0°C, +55°C Internal clock frequency equal to or less than 4.0 MHz

Note: The internal clock frequency is one-half the external clock frequency.

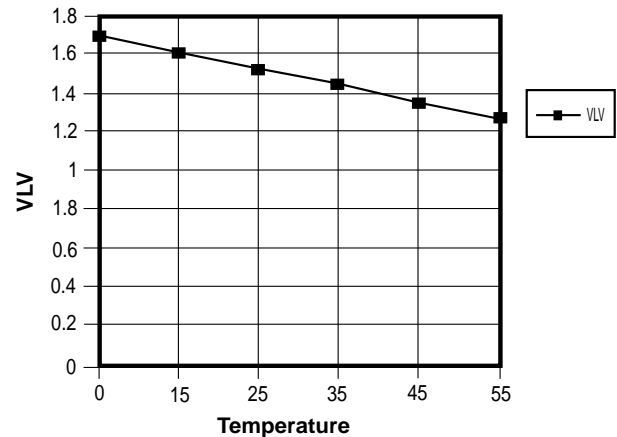


Figure 44. Typical Z86L/CX2 Low Voltage vs Temperature at 8 MHz

EXPANDED REGISTER FILE CONTROL REGISTERS (0D)

CTR0 (0D) 0H

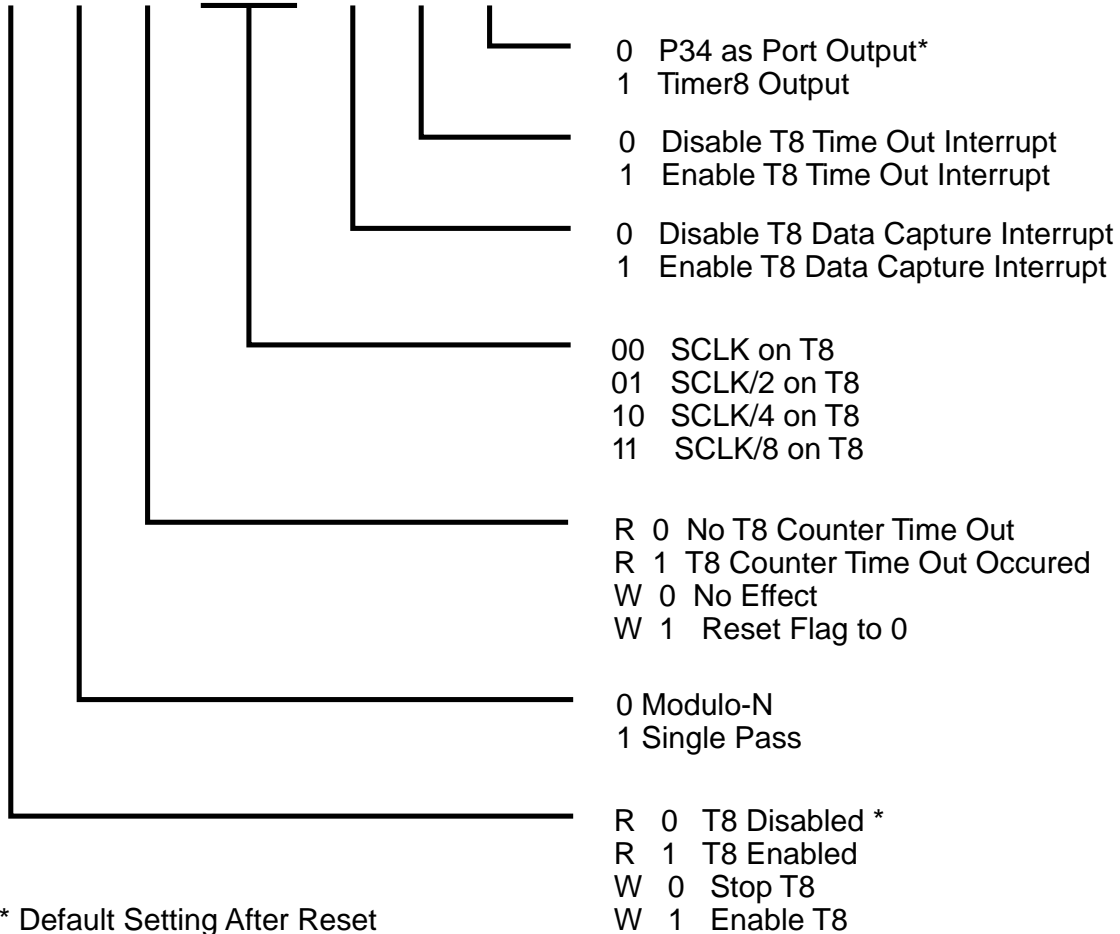
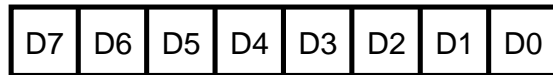
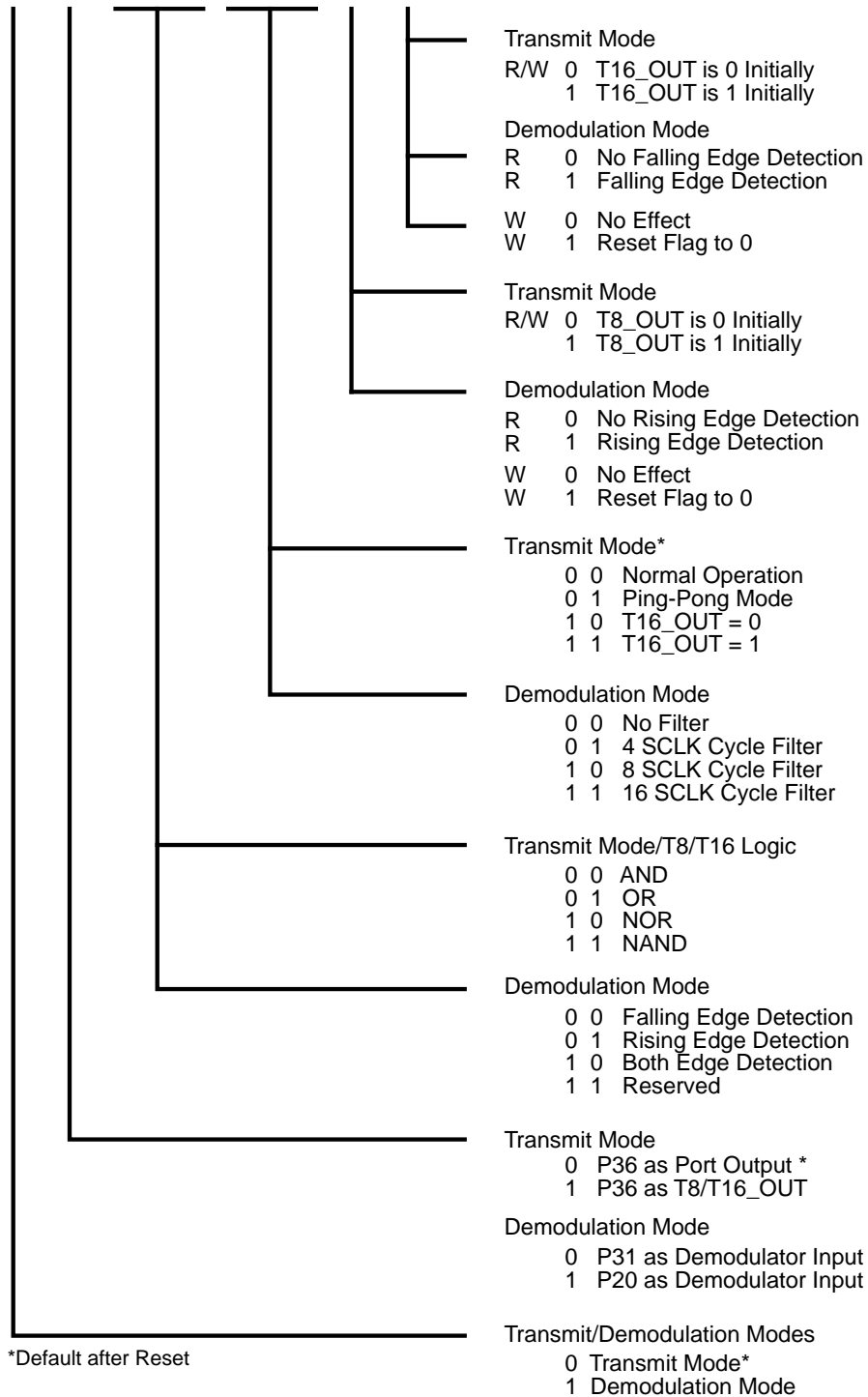
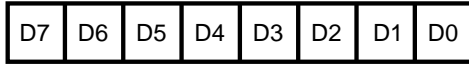


Figure 45. TC8 Control Register
((0D) 0H: Read/Write Except Where Noted)

CTR1 (0D) 1H



Note: Care must be taken in differentiating Transmit Mode from Demodulation Mode. Depending on which of these two modes is operating, the CTR1 bit will have different functions.

Note: Changing from one mode to another cannot be done without disabling the counter/timers.

Figure 46. T8 and T16 Common Control Functions ((0D) 1H: Read/Write)

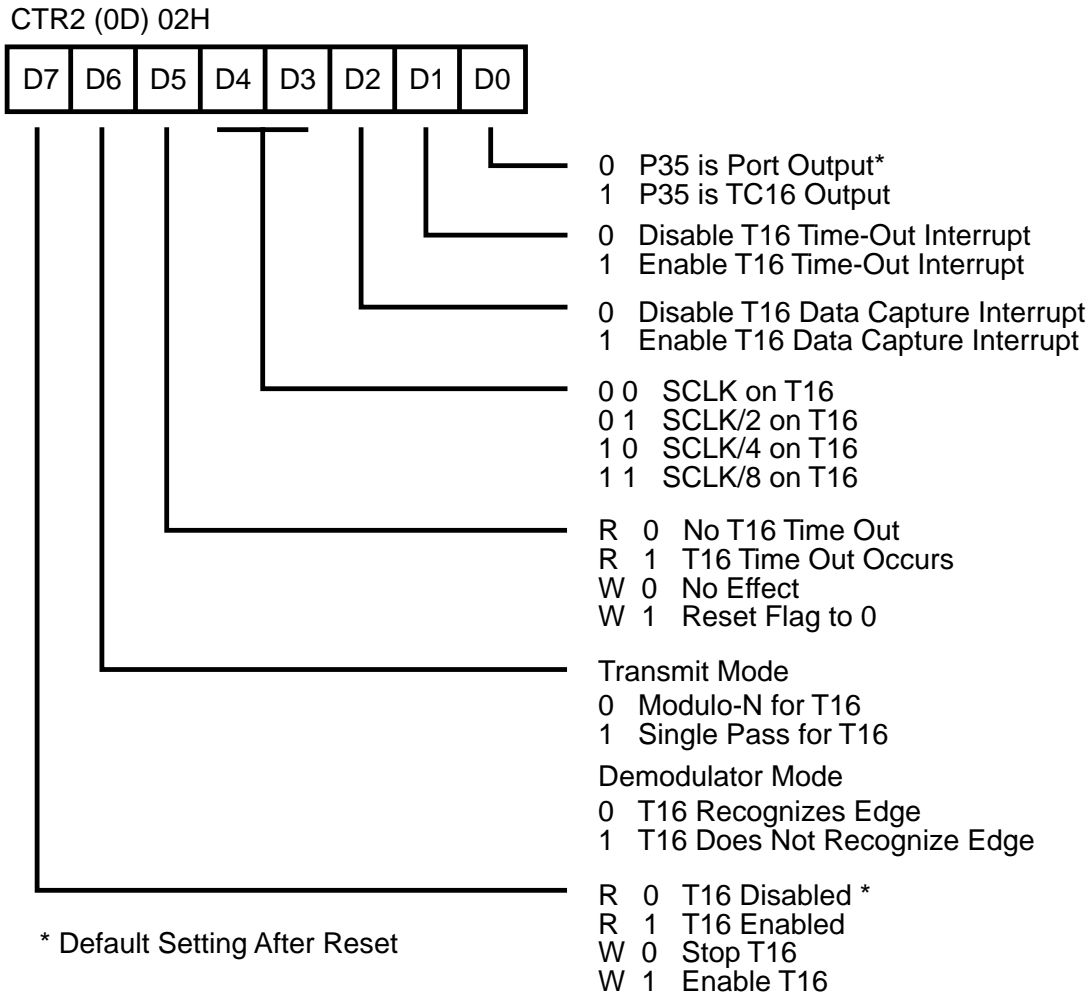
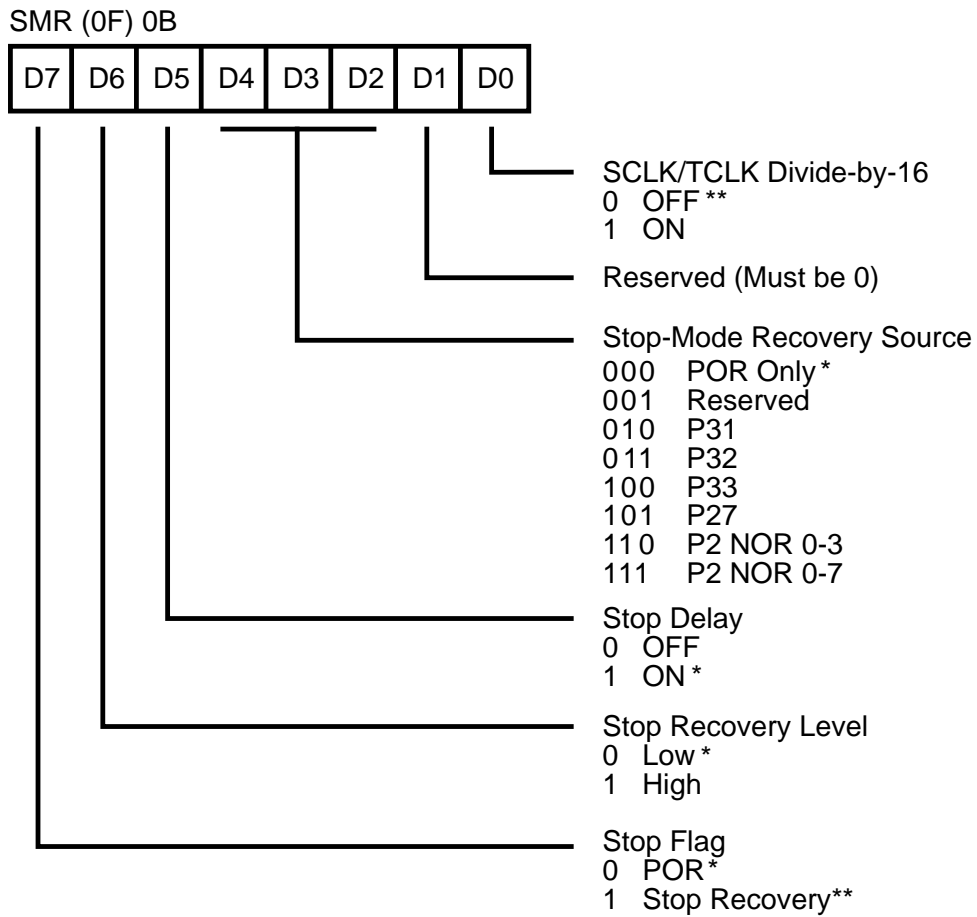


Figure 47. T16 Control Register
((0D) 2H: Read/Write Except Where Noted)

EXPANDED REGISTER FILE CONTROL REGISTERS (0D) (Continued)

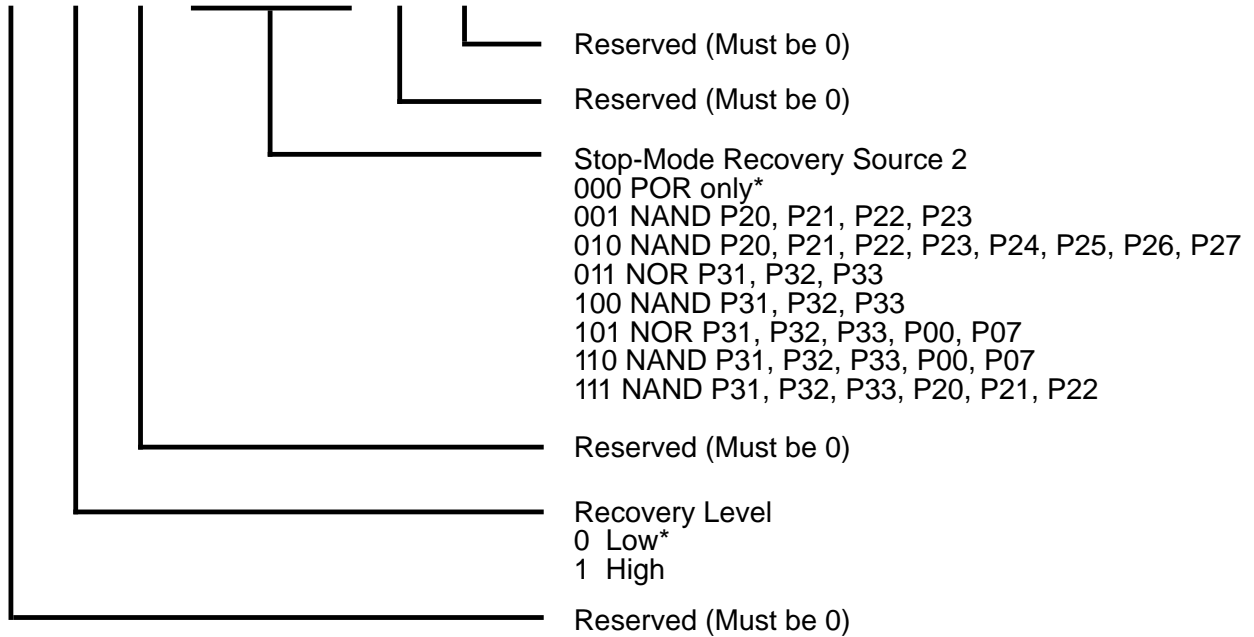
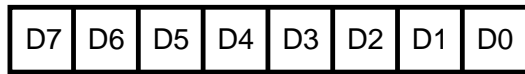


* Default Setting After Reset

** Default Setting After Reset and Stop-Mode Recovery

**Figure 48. Stop-Mode Recovery Register
(0F) 0BH: D6-D0 = Write Only, D7=Read Only)**

SMR2 (0F) 0DH

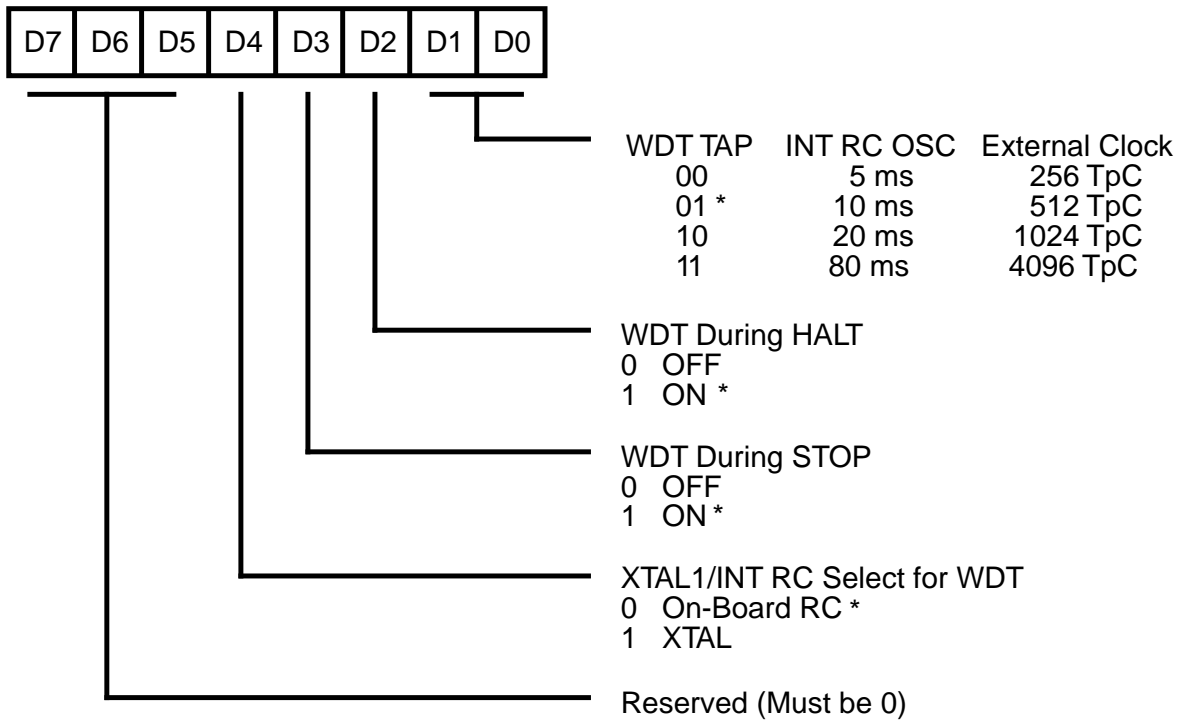


Note: If used in conjunction with SMR, either of the two specified events will cause a Stop-Mode Recovery.

*Default Setting After Reset

**Figure 49. Stop-Mode Recovery Register 2
(0F) DH: D2-D4, D6 Write Only)**

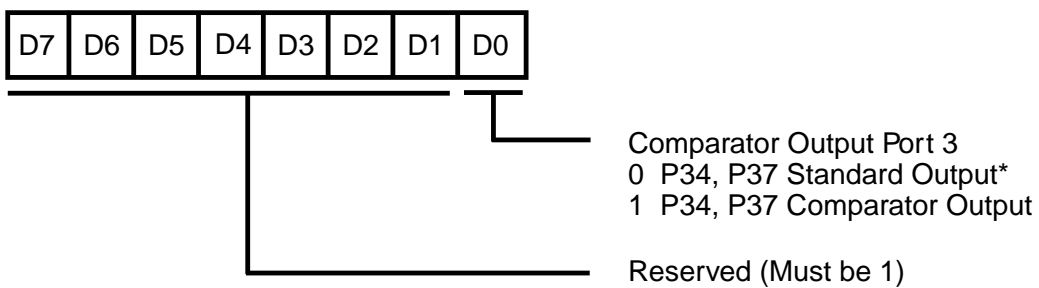
WDTMR (0F) 0F



* Default Setting After Reset

Figure 50. Watch-Dog Timer Mode Register ((0F) 0FH: Write Only)

PCON (FH) 00H



* Default Setting After Reset
P37 comparator output only on E72 and L72

Figure 51. Port Configuration Register (PCON) ((0F) 0H: Write Only)

Z8® STANDARD CONTROL REGISTER DIAGRAMS

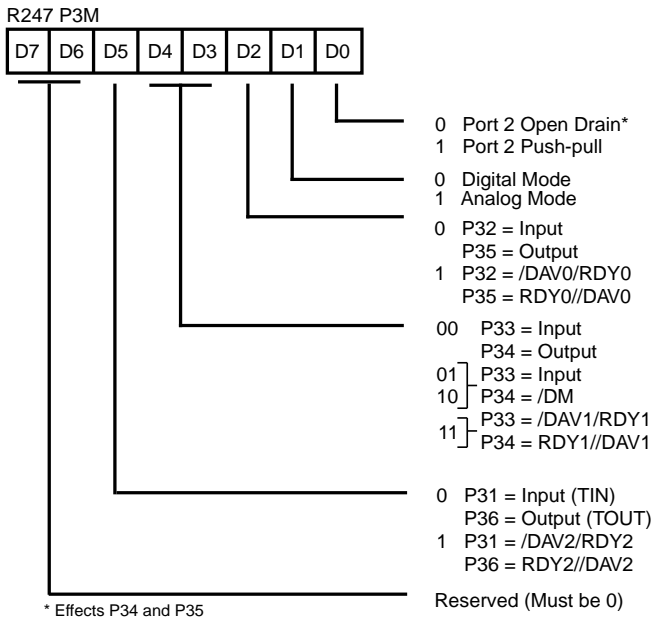
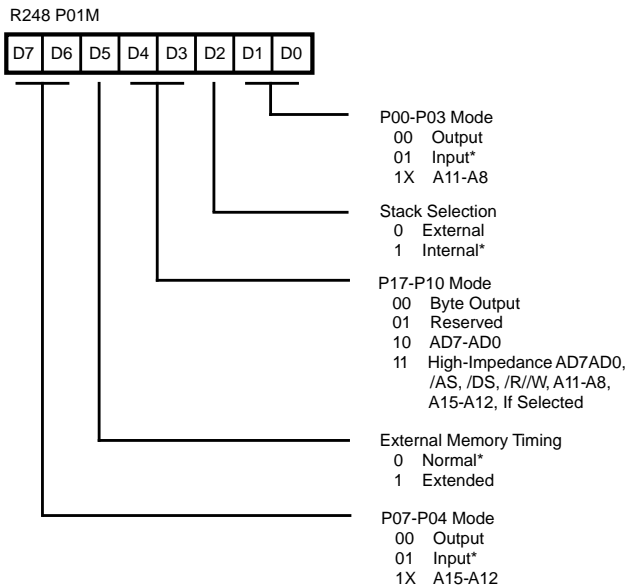


Figure 52. Port 3 Mode Register (F7H: Write Only)



* Default Setting After Reset.
Note: Only P00 and P07 are Available on Z86L71.

Figure 53. Port 0 and 1 Mode Register (F8H: Write Only)

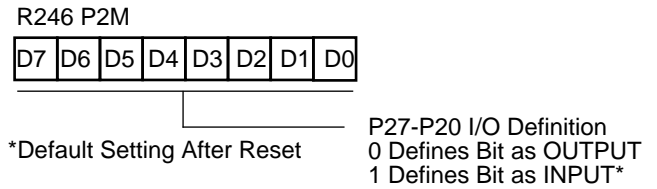


Figure 54. Port 2 Mode Register (F6H: Write Only)

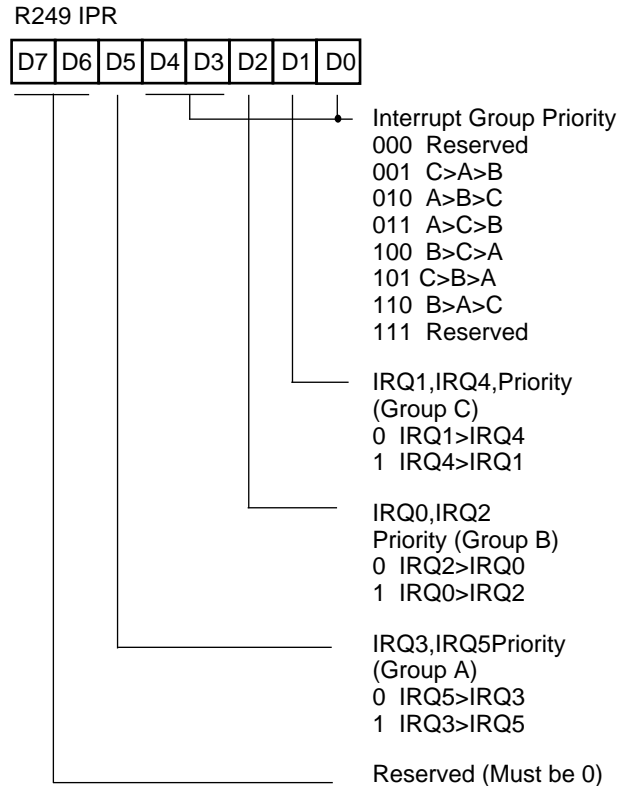


Figure 55. Interrupt Priority Register ((0) F9H: Write Only)

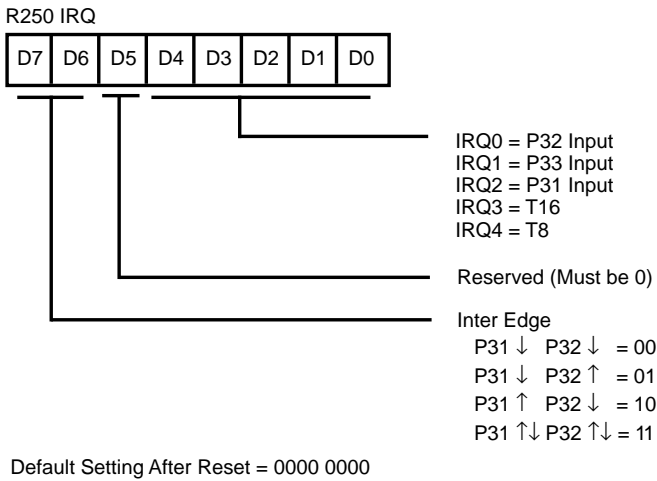


Figure 56. Interrupt Request Register
((0) FAH: Read/Write)

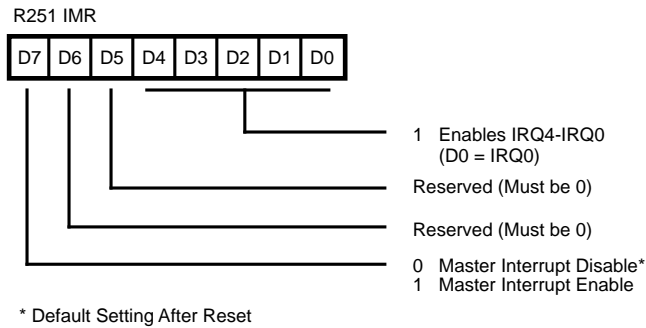


Figure 57. Interrupt Mask Register
((0) FBH: Read/Write)

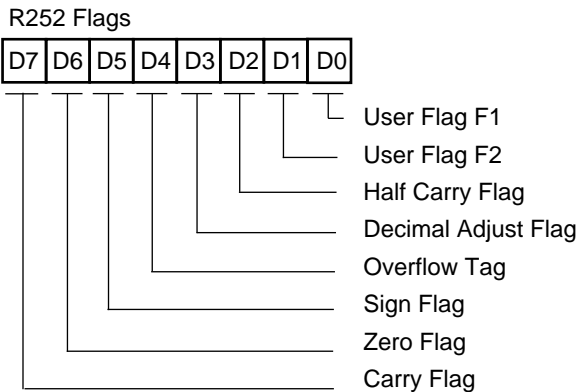


Figure 58. Flag Register
((0) FCH: Read/Write)

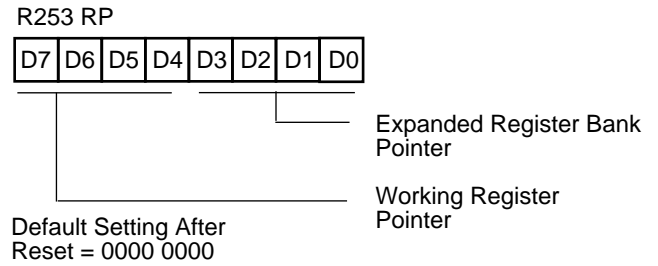


Figure 59. Register Pointer
((0) FDH: Read/Write)

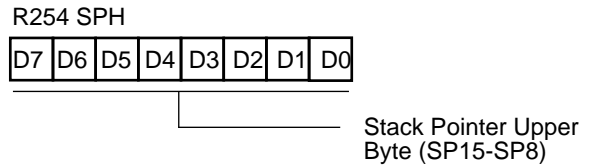


Figure 60. Stack Pointer High
((0) FEH: Read/Write)

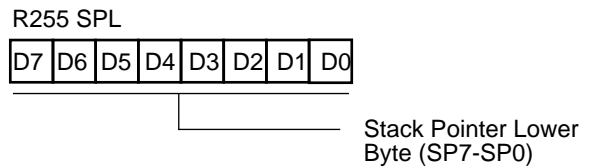


Figure 61. Stack Pointer Low
((0) FFH: Read/Write)

PACKAGE INFORMATION

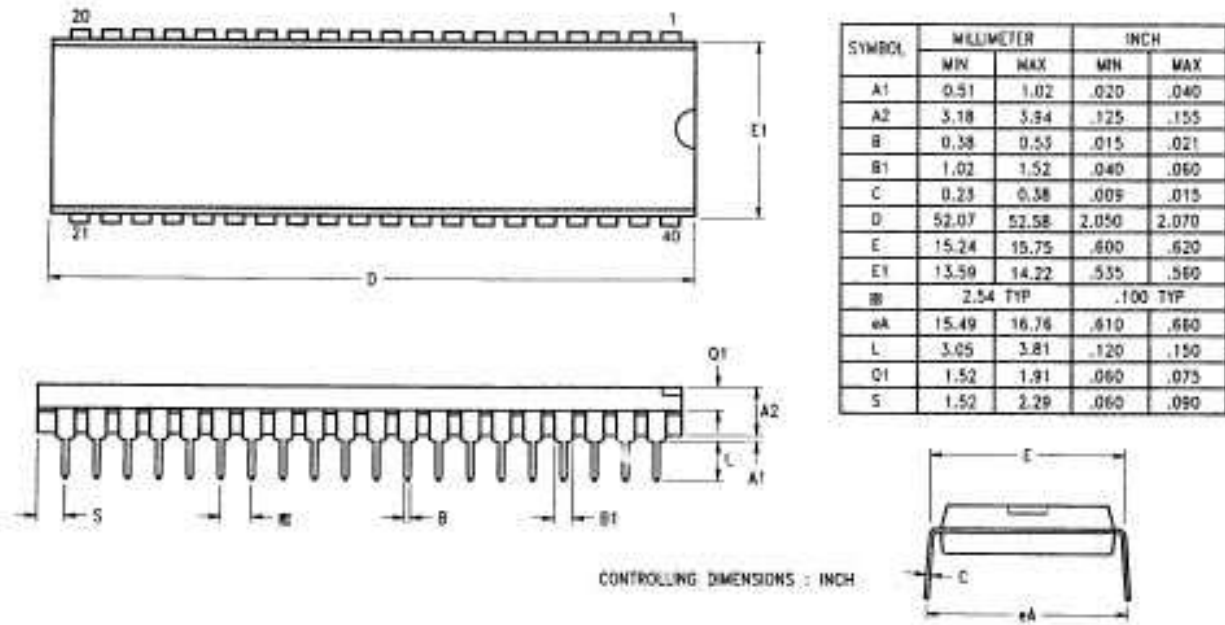


Figure 62. 40-Pin DIP Package Diagram

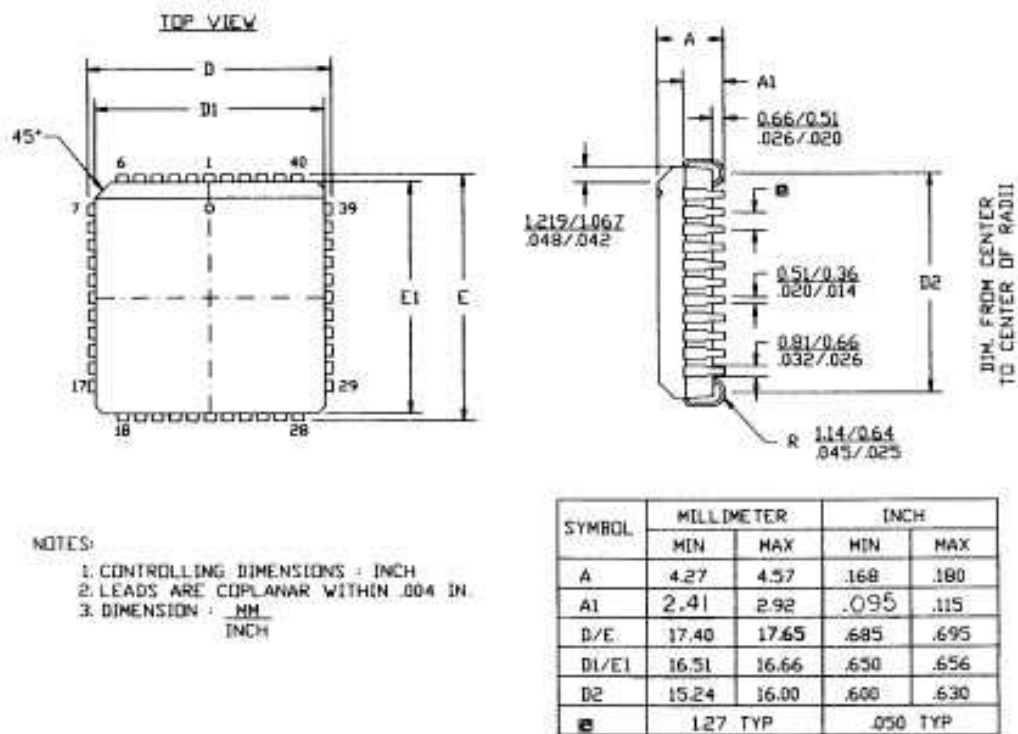


Figure 63. 44-Pin PLCC Package Diagram

ORDERING INFORMATION**Z86L72/L92****8 MHz**

40-pin DIP	44-pin PLCC
Z86L7208PSC	Z86L7208VSC
44-pin QFP	Z86L9208VSC
Z86L7208FSC	

Z86C72/C92**16 MHz**

40-pin DIP	44-pin PLCC
Z86C7216PSC	Z86C7216VSC
44-pin QFP	Z86C9216VSC
Z86C7216FSC	

For fast results, contact your local Zilog sales office for assistance in ordering the part desired.

Codes**Package**

P = Plastic DIP
F = Plastic Quad Flat Pack
V = Plastic Chip Carrier

Temperature

S = 0°C to +70°C

Speed

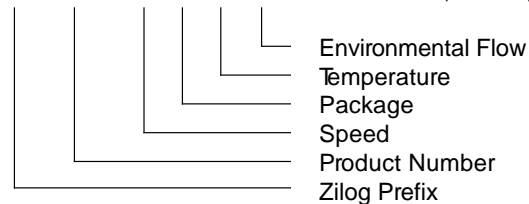
8 = 8 MHz
16 = 16 MHz

Environmental

C = Plastic Standard

Example:

Z 86L72 08 P S C is a Z86L72, 8 MHz, DIP, 0°C to +70°C, Plastic Standard Flow



© 1997 by Zilog, Inc. All rights reserved. No part of this document may be copied or reproduced in any form or by any means without the prior written consent of Zilog, Inc. The information in this document is subject to change without notice. Devices sold by Zilog, Inc. are covered by warranty and patent indemnification provisions appearing in Zilog, Inc. Terms and Conditions of Sale only. Zilog, Inc. makes no warranty, express, statutory, implied or by description, regarding the information set forth herein or regarding the freedom of the described devices from intellectual property infringement. Zilog, Inc. makes no warranty of merchantability or fitness for any purpose. Zilog, Inc. shall not be responsible for any errors that may appear in this document. Zilog, Inc. makes no commitment to update or keep current the information contained in this document.

Zilog's products are not authorized for use as critical components in life support devices or systems unless a specific written agreement pertaining to such intended use is executed between the customer and Zilog prior to use. Life support devices or systems are those which are intended for surgical implantation into the body, or which sustains life whose failure to perform, when properly used in accordance with instructions for use provided in the labeling, can be reasonably expected to result in significant injury to the user.

Zilog, Inc. 210 East Hacienda Ave.
Campbell, CA 95008-6600
Telephone (408) 370-8000
FAX 408 370-8056
Internet: <http://www.zilog.com>