

16-bit Proprietary Microcontroller

CMOS

F²MC-16LX MB90360 Series

**MB90F362/T/S/TS, MB90362/T/S/TS, MB90F367/T/S/TS,
MB90367/T/S/TS, MB90V340A-101, MB90V340A-102,
MB90V340A-103, MB90V340A-104**

■ DESCRIPTION

The MB90360-series with 1 channel FULL-CAN* interface and FLASH ROM is especially designed for automotive and other industrial applications. Its main feature is the on-board CAN Interfaces, which conform to Ver 2.0 Part A and Part B, while supporting a very flexible message buffer scheme and so offering more functions than a normal full CAN approach. With the new 0.35 μm CMOS technology, Fujitsu now offers on-chip FLASH-ROM program memory up to 64 Kbytes.

The power supply (3 V) is supplied to the internal MCU core from an internal regulator circuit. This creates a major advantage in terms of EMI and power consumption.

The internal PLL clock frequency multiplier provides an internal 42 ns instruction execution time from an external 4 MHz clock. Also, main and sub-clock can be monitored independently using the clock monitor function.

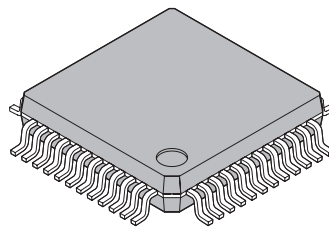
The unit features a 4 channel input capture unit 1 channel 16-bit free running timer, 2-channel LIN-UART, and 16-channel 8/10-bit A/D converter as the peripheral resource.

* : Controller Area Network (CAN) - License of Robert Bosch GmbH

Note : F²MC stands for FUJITSU Flexible Microcontroller, a registered trademark of FUJITSU LIMITED.

■ PACKAGE

48-pin Plastic LQFP



(FPT-48P-M26)

MB90360 Series

■ FEATURES

• Clock

- Built-in PLL clock frequency multiplication circuit
- Selection of machine clocks (PLL clocks) is allowed among frequency division by 2 on oscillation clock and multiplication of 1 to 6 times of oscillation clock (for 4 MHz oscillation clock, 4 MHz to 24 MHz) .
- Operation by sub-clock (up to 50 kHz : 100 kHz oscillation clock divided two) is allowed (devices without S-suffix only) .
- Minimum execution time of instruction : 42 ns (when operating with 4-MHz oscillation clock and 6-time multiplied PLL clock) .

• Clock monitor function (MB90x367x only)

- Main clock or sub-clock is monitored independently
- Internal CR oscillation clock (100 kHz typical) can be used as sub-clock

• Instruction system best suited to controller

- 16 Mbytes CPU memory space
- 24-bit internal addressing
- Wide choice of data types (bit, byte, word, and long word)
- Wide choice of addressing modes (23 types)
- Enhanced multiply-divide instructions with sign and RETI instructions
- Enhanced high-precision computing with 32-bit accumulator

• Instruction system compatible with high-level language (C language) and multitask

- Employing system stack pointer
- Enhanced various pointer indirect instructions
- Barrel shift instructions

• Increased processing speed

- 4-byte instruction queue

• Powerful interrupt function

- Powerful 8-level, 34-condition interrupt feature
- Up to 8 channel external interrupts are supported

• Automatic data transfer function independent of CPU

- Expanded intelligent I/O service function (EI²OS) : up to 16 channels

• Low-power consumption (standby) mode

- Sleep mode (a mode that halts CPU operating clock)
- Main timer mode (timebase timer mode that is transferred from main clock mode)
- PLL timer mode (timebase timer mode that is transferred from PLL clock mode)
- Watch mode (a mode that operates sub-clock and watch timer only, devices without S-suffix)
- Stop mode (a mode that stops oscillation clock and sub-clock)
- CPU blocking operation mode

• Process

- CMOS technology

• I/O port

- General-purpose input/output port (CMOS output)
 - 34 ports (devices without S-suffix)
 - 36 ports (devices with S-suffix)

• Sub-clock pin (X0A and X1A)

- Provided (used for external oscillation), devices without S-suffix
- Not provided (used with internal CR oscillation in sub-clock mode) , devices with S-suffix

(Continued)

(Continued)

- **Timer**

- Timebase timer, watch timer (device without S-suffix) , watchdog timer : 1 channel
- 8/16-bit PPG timer : 8-bit × 2 channels or 16-bit × 2 channels
- 16-bit reload timer : 2 channels
- 16-bit input/output timer
 - 16-bit free run timer : 1 channel (FRT0 : ICU 0/1/2/3)
 - 16-bit input capture : (ICU) : 4 channels

- **Full-CAN interface : up to 1 channel**

- Compliant with Ver 2.0A and Ver 2.0B CAN specifications
- Flexible message buffering (mailbox and FIFO buffering can be mixed)
- CAN wake-up function

- **UART (LIN/SCI) : up to 2 channels**

- Equipped with full-duplex double buffer
- Clock-asynchronous or clock-synchronous serial transmission is available

- **DTP/External interrupt : up to 8 channels, CAN wakeup : up to 1 channel**

- Module for activation of expanded intelligent I/O service (EI²OS) and generation of external interrupt by external input.

- **Delay interrupt generator module**

- Generates interrupt request for task switching.

- **8/10-bit A/D converter : 16 channels**

- Resolution is selectable between 8-bit and 10-bit.
- Activation by external trigger input is allowed.
- Conversion time : 3 μs (at 24-MHz machine clock, including sampling time)

- **Program patch function**

- Address matching detection for 6 address pointers.

- **Low voltage/CPU operation detection reset (devices with T-suffix)**

- Detects low voltage (4.0 V ± 0.3 V) and resets automatically
- Resets automatically when program is runaway and counter is not cleared within interval time (approx. 262 ms : external 4 MHz)

- **Capable of changing input voltage for port**

- Automotive/CMOS-Schmitt (initial level is Automotive in single-chip mode)

- **FLASH memory security function**

- Protects the content of FLASH memory (FLASH memory device only)

MB90360 Series

■ PRODUCT LINEUP

Features	MB90362	MB90362T	MB90362S	MB90362TS	MB90V340 A-101	MB90V340 A-102
CPU	F ² MC-16LX CPU					
System clock	PLL clock multiplier (× 1, × 2, × 3, × 4, × 6, 1/2 when PLL stops) Minimum instruction execution time : 42 ns (4 MHz oscillation clock, PLL × 6)					
Sub-clock pin (X0A, X1A)	Yes		No		No	Yes
Clock monitor function	No					
ROM	MASK ROM, 64 Kbytes				External	
RAM capacitance	3 Kbytes				30 Kbytes	
CAN interface	1 channel				3 channels	
Low voltage/CPU operation detection reset	No	Yes	No	Yes	No	
Package	LQFP-48P				PGA-299C	
Emulator-specific power supply *	—				Yes	
Corresponding EVA product	MB90V340A-102		MB90V340A-101		—	

* : It is setting of Jumper switch (TOOL V_{cc}) when emulator (MB2147-01) is used. Please refer to the Emulator hardware manual for the details.

Features	MB90F362	MB90F362T	MB90F362S	MB90F362TS
CPU	F ² MC-16LX CPU			
System clock	PLL clock multiplier (× 1, × 2, × 3, × 4, × 6, 1/2 when PLL stops) Minimum instruction execution time : 42 ns (4 MHz oscillation clock, PLL × 6)			
Sub-clock pin (X0A, X1A)	Yes		No	
Clock monitor function	No			
ROM	Flash memory, 64 Kbytes			
RAM capacitance	3 Kbytes			
CAN interface	1 channel			
Low voltage/CPU operation detec- tion reset	No	Yes	No	Yes
Package	LQFP-48P			
Corresponding EVA product	MB90V340A-102		MB90V340A-101	

MB90360 Series

Features	MB90367	MB90367T	MB90367S	MB90367TS	MB90V340 A-103	MB90V340 A-104
CPU	F ² MC-16LX CPU					
System clock	PLL clock multiplier (× 1, × 2, × 3, × 4, × 6, 1/2 when PLL stops) Minimum instruction execution time : 42 ns (4 MHz oscillation clock, PLL × 6)					
Sub-clock pin (X0A, X1A)	Yes		No (internal CR oscillation can be used as sub-clock)			Yes
Clock monitor function	Yes					
ROM	MASK ROM, 64 Kbytes				External	
RAM capacitance	3 Kbytes				30 Kbytes	
CAN interface	1 channel				3 channels	
Low voltage/CPU operation detection reset	No	Yes	No	Yes	No	
Package	LQFP-48P				PGA-299C	
Emulator-specific power supply *	—				Yes	
Corresponding EVA product	MB90V340A-104		MB90V340A-103		—	

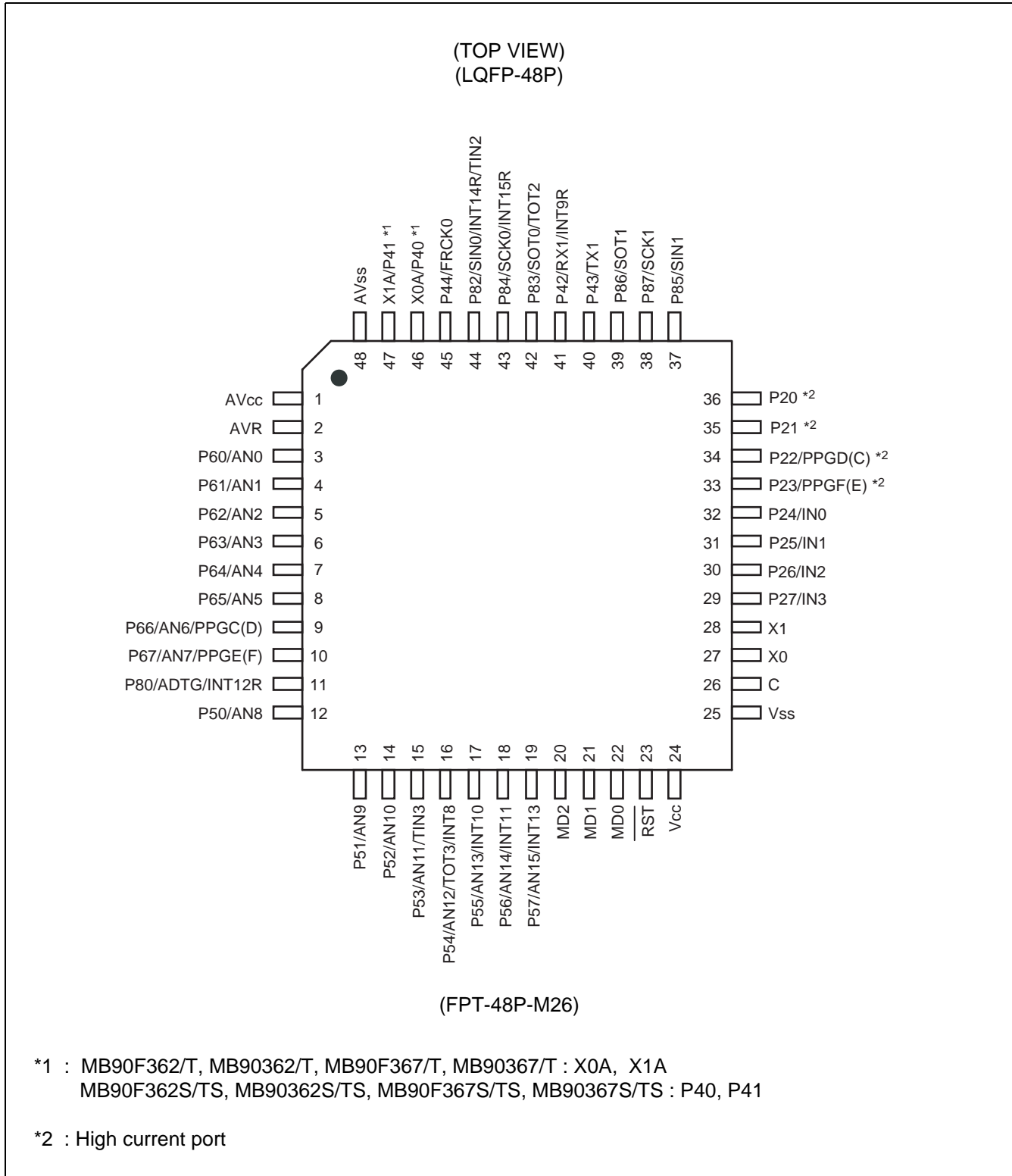
* : It is setting of Jumper switch (TOOL V_{CC}) when emulator (MB2147-01) is used. Please refer to the Emulator hardware manual for the details.

Features	MB90F367	MB90F367T	MB90F367S	MB90F367TS
CPU	F ² MC-16LX CPU			
System clock	PLL clock multiplier (× 1, × 2, × 3, × 4, × 6, 1/2 when PLL stops) Minimum instruction execution time : 42 ns (4 MHz oscillation clock, PLL × 6)			
Sub-clock pin (X0A, X1A)	Yes		No (internal CR oscillation can be used as sub-clock)	
Clock monitor function	Yes			
ROM	Flash memory, 64 Kbytes			
RAM capacitance	3 Kbytes			
CAN interface	1 channel			
Low voltage/CPU operation detection reset	No	Yes	No	Yes
Package	LQFP-48P			
Corresponding EVA product	MB90V340A-104		MB90V340A-103	

MB90360 Series

PIN ASSIGNMENT

• MB90F362/T/S/TS, MB90362/T/S/TS, MB90F367/T/S/TS, MB90367/T/S/TS



■ PIN DESCRIPTION

Pin No.	Pin name	Circuit type	Function
LQFP-48P*			
1	AV _{CC}	I	V _{CC} power input pin for analog circuit.
2	AVR	—	Power (V _{ref+}) input pin for A/D converter. It should be below V _{CC} .
3 to 8	P60 to P65	H	General-purpose I/O port.
	AN0 to AN5		Analog input pin for A/D converter.
9, 10	P66, P67	H	General-purpose I/O port.
	AN6, AN7		Analog input pin for A/D converter.
	PPGC (D) , PPGE (F)		Output pin for PPG.
11	P80	F	General-purpose I/O port.
	ADTG		Trigger input pin for A/D converter.
	INT12R		External interrupt request input pin for INT12.
12 to 14	P50 to P52	H	General-purpose I/O port. (P50 has different I/O circuit type from MB90V340A.)
	AN8 to AN10		Analog input pin for A/D converter.
15	P53	H	General-purpose I/O port.
	AN11		Analog input pin for A/D converter.
	TIN3		Event input pin for reload timer 3.
16	P54	H	General-purpose I/O port.
	AN12		Analog input pin for A/D converter.
	TOT3		Output pin for reload timer 3
	INT8		External interrupt request input pin for INT8.
17 to 19	P55 to P57	H	General-purpose I/O port.
	AN13 to AN15		Analog input pin for A/D converter.
	INT10, INT11, INT13		External interrupt request input pin for INT10, INT11, INT13.
20	MD2	D	Input pin for operation mode specification.
21, 22	MD1, MD0	C	Input pin for operation mode specification.
23	\overline{RST}	E	Reset input.
24	V _{CC}	—	Power input pin (3.5 V to 5.5 V) .
25	V _{SS}	—	Power input pin (0 V) .
26	C	I	Power supply stabilization capacitor pin. It should be connected to a higher than or equal to 0.1 μ F ceramic capacitor.

* : FPT-48P-M26

(Continued)

MB90360 Series

Pin No.	Pin name	Circuit type	Function
LQFP-48P*			
27	X0	A	Oscillation input pin.
28	X1		Oscillation output pin.
29 to 32	P27 to P24	G	General-purpose I/O port. The register can be set to select whether to use a pull-up resistor. This function is enabled in single-chip mode.
	IN3 to IN0		Event input pin for input capture 0 to 3.
33, 34	P23, P22	J	General-purpose I/O port. The register can be set to select whether to use a pull-up resistor. This function is enabled in single-chip mode. High current output port.
	PPGF (E) , PPGD (C)		Output pin for PPG.
35, 36	P21, P20	J	General-purpose I/O port. The register can be set to select whether to use a pull-up resistor. This function is enabled in single-chip mode. High current output port.
37	P85	K	General-purpose I/O port.
	SIN1		Serial data input pin for UART1.
38	P87	F	General-purpose I/O port.
	SCK1		Clock I/O pin for UART1.
39	P86	F	General-purpose I/O port.
	SOT1		Serial data output pin for UART1.
40	P43	F	General-purpose I/O port.
	TX1		TX output pin for CAN1 interface.
41	P42	F	General-purpose I/O port.
	RX1		RX input pin for CAN1 interface.
	INT9R		External interrupt request input pin for INT9 (Sub) .
42	P83	F	General-purpose I/O port.
	SOT0		Serial data output pin for UART0.
	TOT2		Output pin for reload timer 2
43	P84	F	General-purpose I/O port.
	SCK0		Clock I/O pin for UART0.
	INT15R		External interrupt request input pin for INT15.

* : FPT-48P-M26

(Continued)

MB90360 Series

(Continued)

Pin No.	Pin name	Circuit type	Function
LQFP-48P*			
44	P82	K	General-purpose I/O port.
	SIN0		Serial data input pin for UART0.
	INT14R		External interrupt request input pin for INT14.
	TIN2		Event input pin for reload timer 2.
45	P44	F	General-purpose I/O port. (Different I/O circuit type from MB90V340A.)
	FRCK0		Free-run timer 0 clock pin.
46, 47	P40, P41	F	General-purpose I/O port. (Devices with S-suffix and MB90V340A-101/103 only.)
	X0A, X1A	B	Oscillation input pin for sub-clock. (Devices without S-suffix and MB90V340A-102/104 only.)
48	AV _{SS}	I	V _{SS} power input pin for analog circuit.

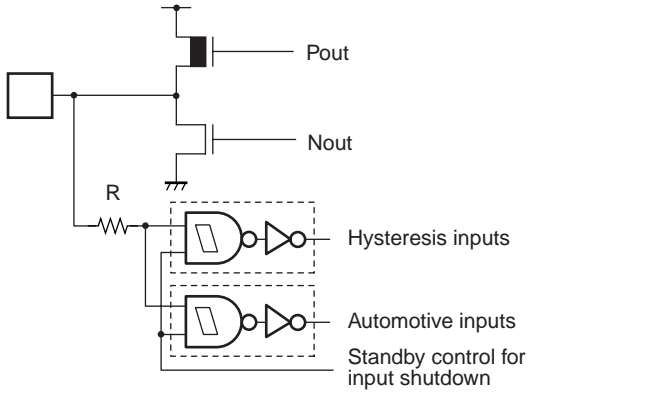
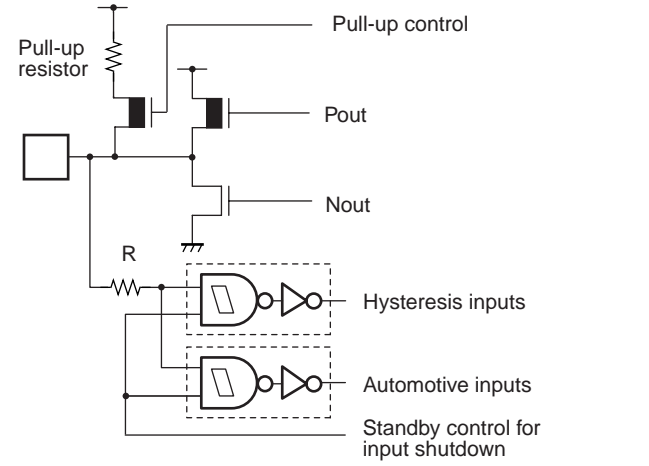
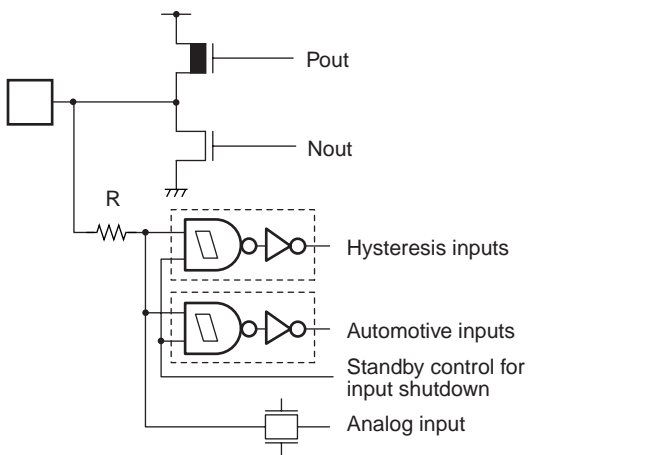
* : FPT-48P-M26

MB90360 Series

I/O CIRCUIT TYPE

Type	Circuit	Remarks
A		Oscillation circuit <ul style="list-style-type: none"> • High-speed oscillation feedback resistor = approx. 1 MΩ
B		Oscillation circuit <ul style="list-style-type: none"> • Low-speed oscillation feedback resistor = approx. 10 MΩ
C		Mask ROM device : <ul style="list-style-type: none"> • CMOS hysteresis input pin Flash device : <ul style="list-style-type: none"> • CMOS input pin
D		Mask ROM device : <ul style="list-style-type: none"> • CMOS hysteresis input pin • Pull-down resistor value : approx. 50 kΩ Flash device : <ul style="list-style-type: none"> • CMOS input pin • No Pull-down
E		CMOS hysteresis input pin <ul style="list-style-type: none"> • Pull-up resistor value : approx. 50 kΩ

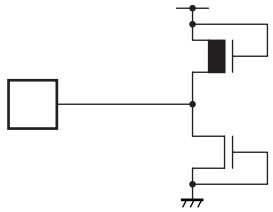
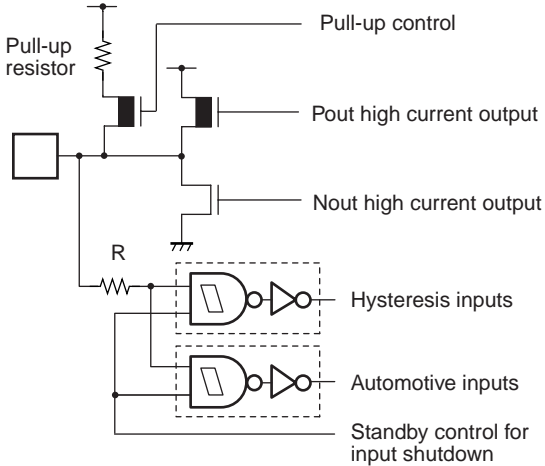
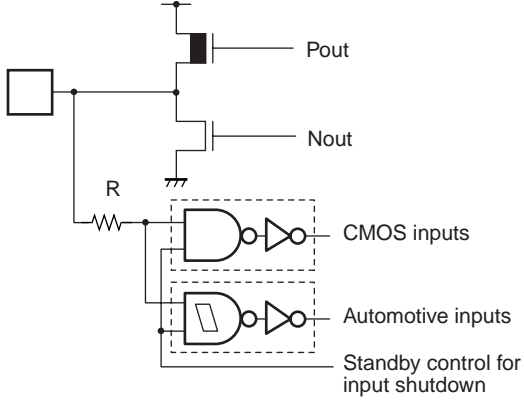
(Continued)

Type	Circuit	Remarks
F		<ul style="list-style-type: none"> • CMOS level output ($I_{OL} = 4 \text{ mA}$, $I_{OH} = -4 \text{ mA}$) • CMOS hysteresis inputs (With the standby-time input shutdown function) • Automotive input (With the standby-time input shutdown function)
G		<ul style="list-style-type: none"> • CMOS level output ($I_{OL} = 4 \text{ mA}$, $I_{OH} = -4 \text{ mA}$) • CMOS hysteresis inputs (With the standby-time input shutdown function) • Automotive input (With the standby-time input shutdown function) • Settable pull-up resistor : approx. $50 \text{ k}\Omega$
H		<ul style="list-style-type: none"> • CMOS level output ($I_{OL} = 4 \text{ mA}$, $I_{OH} = -4 \text{ mA}$) • CMOS hysteresis inputs (With the standby-time input shutdown function) • Automotive input (With the standby-time input shutdown function) • A/D analog input

(Continued)

MB90360 Series

(Continued)

Type	Circuit	Remarks
I		<ul style="list-style-type: none"> Power supply input protection circuit
J		<ul style="list-style-type: none"> CMOS level output ($I_{OL} = 20 \text{ mA}$, $I_{OH} = -14 \text{ mA}$) CMOS hysteresis inputs (With the standby-time input shutdown function) Automotive input (With the standby-time input shutdown function) Settable pull-up resistor : approx. $50 \text{ k}\Omega$
K		<ul style="list-style-type: none"> CMOS level output ($I_{OL} = 4 \text{ mA}$, $I_{OH} = -4 \text{ mA}$) CMOS input (With standby-time input shutdown function) Automotive input (With standby-time input shutdown function)

■ HANDLING DEVICES

Special care is required for the following when handling the device :

- Preventing latch-up
- Treatment of unused pins
- Using external clock
- Precautions for when not using a sub-clock signal
- Notes on during operation of PLL clock mode
- Power supply pins (V_{CC}/V_{SS})
- Pull-up/down resistors
- Crystal oscillator circuit
- Turning-on sequence of power supply to A/D converter and analog inputs
- Connection of unused pins of A/D converter
- Notes on energization
- Stabilization of power supply voltage
- Initialization
- Notes on using CAN Function
- Flash security function
- Correspondence with +105 °C or more

1. Preventing latch-up

CMOS IC chips may suffer latch-up under the following conditions :

- A voltage higher than V_{CC} or lower than V_{SS} is applied to an input or output pin.
- A voltage higher than the rated voltage is applied between V_{CC} and V_{SS} .
- The AV_{CC} power supply is applied before the V_{CC} voltage.

Latch-up may increase the power supply current drastically, causing thermal damage to the device.

Use meticulous care not to exceed the rating.

For the same reason, also be careful not to let the analog power-supply voltage (AV_{CC} , AVR) exceed the digital power-supply voltage.

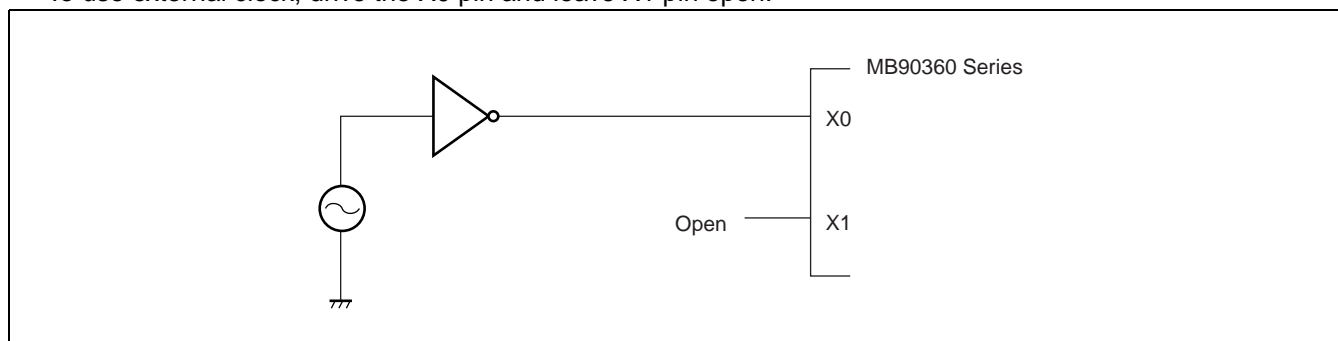
2. Treatment of unused pins

Leaving unused input pins open may result in misbehavior or latch up and possible permanent damage of the device. Therefore, they must be pulled up or pulled down through resistors. In this case, those resistors should be more than 2 k Ω .

Unused bidirectional pins should be set to the output state and can be left open, or the input state with the above described connection.

3. Using external clock

To use external clock, drive the X0 pin and leave X1 pin open.



MB90360 Series

4. Precautions for when not using a sub-clock signal

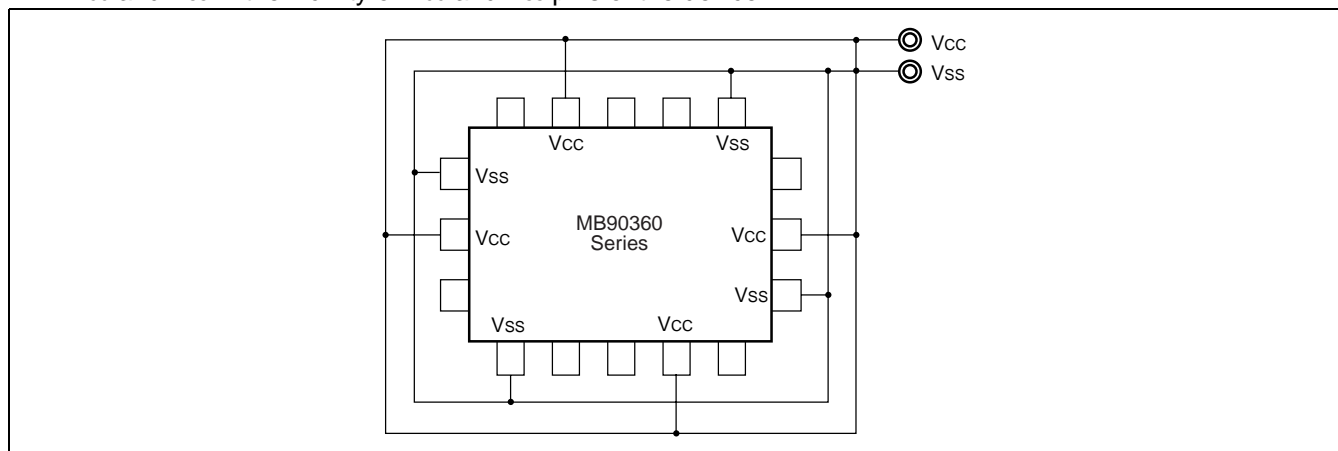
If you do not connect pins X0A and X1A to an oscillator, use pull-down handling on the X0A pin and leave the X1A pin open.

5. Notes on during operation of PLL clock mode

If the PLL clock mode is selected, the microcontroller attempts to be working with the self-oscillating circuit even when there is no external oscillator or external clock input is stopped. Performance of this operation, however, cannot be guaranteed.

6. Power supply pins (V_{CC}/V_{SS})

- If there are multiple V_{CC} and V_{SS} pins, from the point of view of device design, pins to be of the same potential are connected the inside of the device to prevent such malfunctioning as latch up.
To reduce unnecessary radiation, prevent malfunctioning of the strobe signal due to the rise of ground level, and observe the standard for total output current, be sure to connect the V_{CC} and V_{SS} pins to the power supply and ground externally.
- Connect V_{CC} and V_{SS} to the device from the current supply source at a low impedance.
- As a measure against power supply noise, connect a capacitor of about 0.1 μF as a bypass capacitor between V_{CC} and V_{SS} in the vicinity of V_{CC} and V_{SS} pins of the device.



7. Pull-up/down resistors

The MB90360 Series does not support internal pull-up/down resistors (Port 2 : built-in pull-up resistors) . Use external components where needed.

8. Crystal oscillator circuit

Noises around X0 or X1 pin may be possible causes of abnormal operations. Make sure to provide bypass capacitors via shortest distance from X0, X1 pins, crystal oscillator (or ceramic resonator) and ground lines, and make sure, to the utmost effort, that lines of oscillation circuit do not cross the lines of other circuits.

It is highly recommended to provide a printed circuit board artwork surrounding X0 and X1 pins with a ground area for stabilizing the operation.

9. Turning-on sequence of power supply to A/D converter and analog inputs

Make sure to turn on the A/D converter power supply (AV_{CC} and AVR) and analog inputs ($AN0$ to $AN15$) after turning-on the digital power supply (V_{CC}) .

Turn-off the digital power after turning off the A/D converter power supply and analog inputs. In this case, make sure that the voltage does not exceed $AVRH$ or AV_{CC} (turning on/off the analog and digital power supplies simultaneously is acceptable) .

10. Connection of unused pins of A/D converter if A/D converter is used

Connect unused pins of A/D converter to $AV_{CC} = V_{CC}$, $AV_{SS} = AVR = V_{SS}$.

11. Notes on energization

To prevent the internal regulator circuit from malfunctioning, set the voltage rise time during energization at 50 μ s or more (0.2 V to 2.7 V)

12. Stabilization of power supply voltage

A sudden change in the power supply voltage may cause the device to malfunction even within the specified V_{CC} power supply voltage operating guarantee range. Therefore, the V_{CC} power supply voltage should be stabilized.

For reference, the power supply voltage should be controlled so that V_{CC} ripple variations (peak-to-peak value) at commercial frequencies (50 Hz to 60 Hz) fall below 10% of the standard V_{CC} power supply voltage and the coefficient of transient fluctuation does not exceed 0.1 V/ms at instantaneous power switching.

13. Initialization

In the device, there are internal registers which are initialized only by a power-on reset. To initialize these registers, turn on the power again.

14. Notes on using CAN function

To use CAN function, please set '1' to DIRECT bit of CAN direct mode register (CDMR).

If DIRECT bit is set to '0' (initial value), wait states will be performed when accessing CAN registers.

Note : Please refer to Hardware Manual of MB90360 series for detail of CAN Direct Mode Register.

15. Flash security function

The security bit is located in the area of the flash memory.

If protection code 01_H is written in the security bit, the flash memory is in the protected state by security.

Therefore, please do not write 01_H in this address if you do not use the security function.

Please refer to following table for the address of the security bit.

	Flash memory size	Address for security bit
MB90F362 MB90F362S MB90F362T MB90F362TS MB90F367 MB90F367S MB90F367T MB90F367TS	Embedded 512 Kbit Flash Memory	FF0001 _H

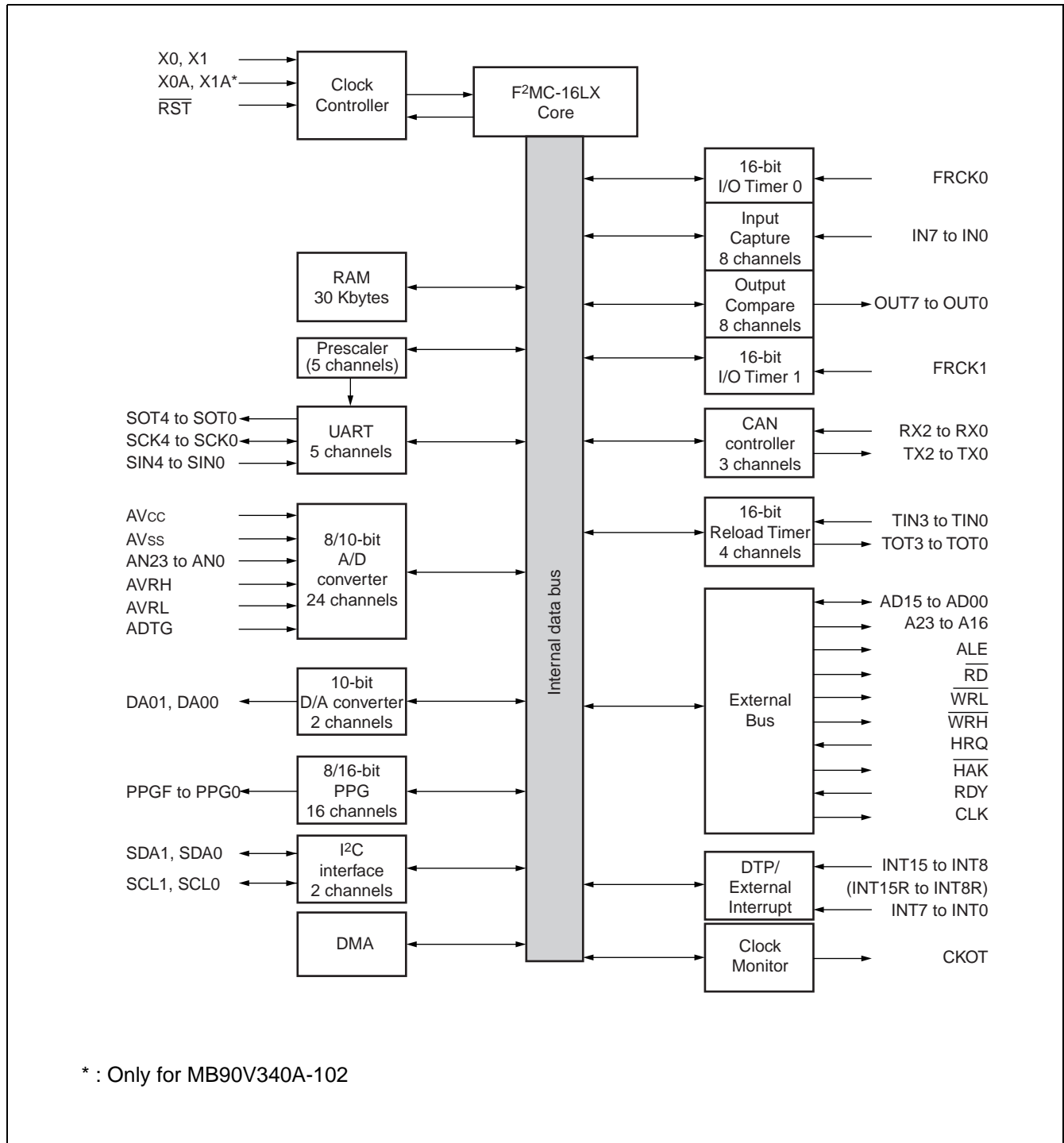
16. Correspondence with +105 °C or more

If used exceeding $T_A = +105$ °C, please contact Fujitsu for reliability limitations.

MB90360 Series

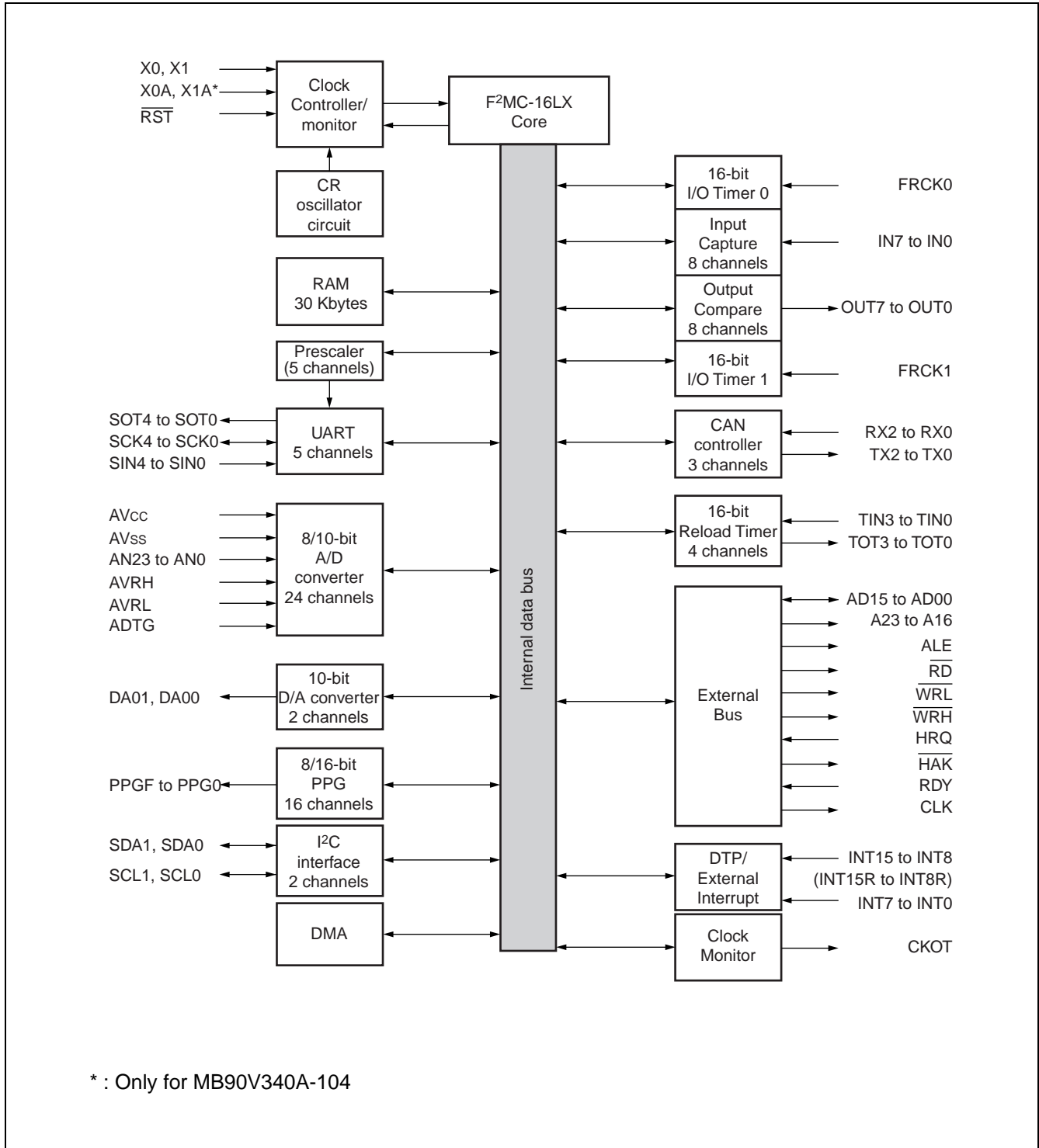
■ BLOCK DIAGRAMS

● MB90V340A-101/102



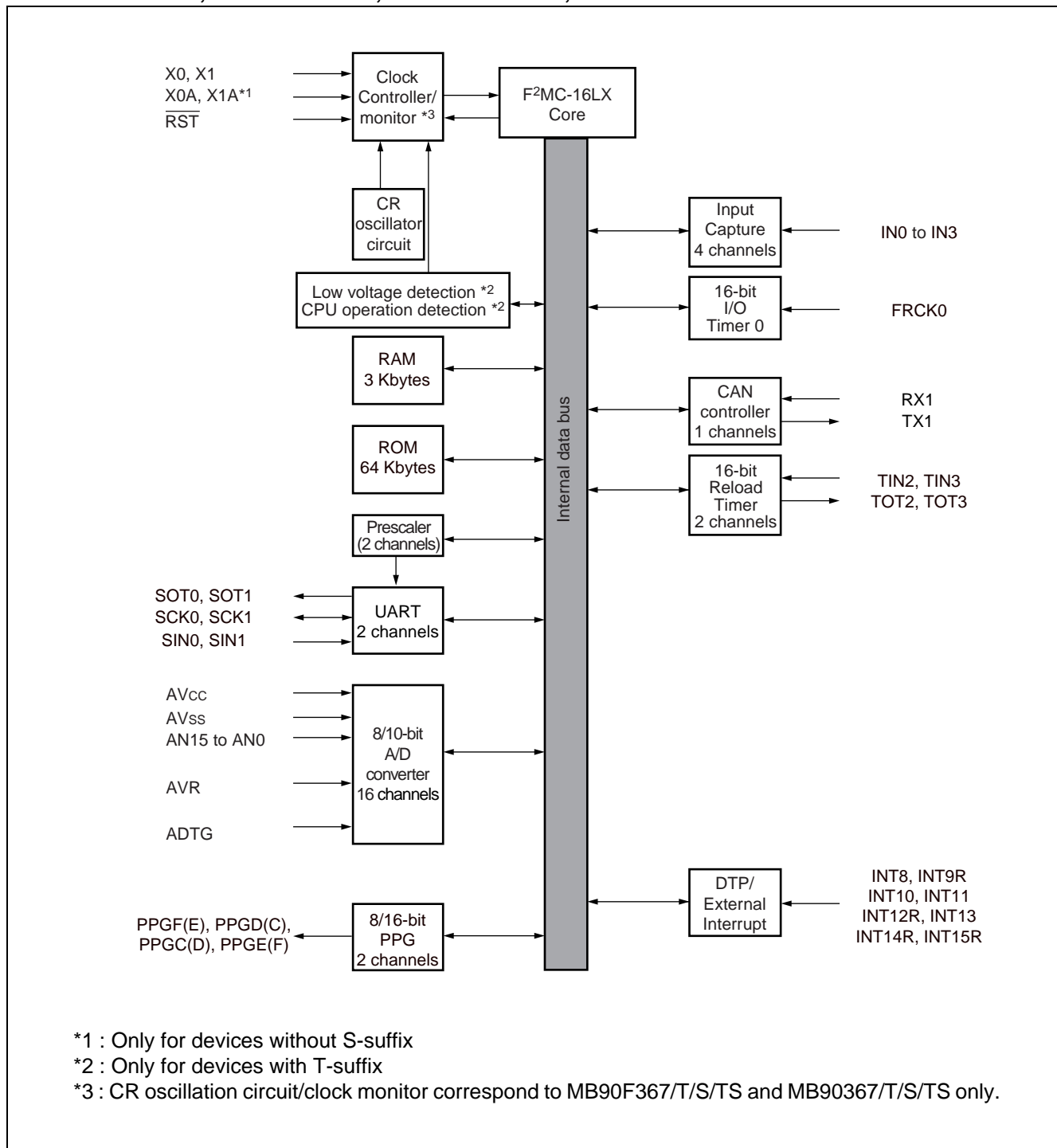
MB90360 Series

• MB90V340A-103/104

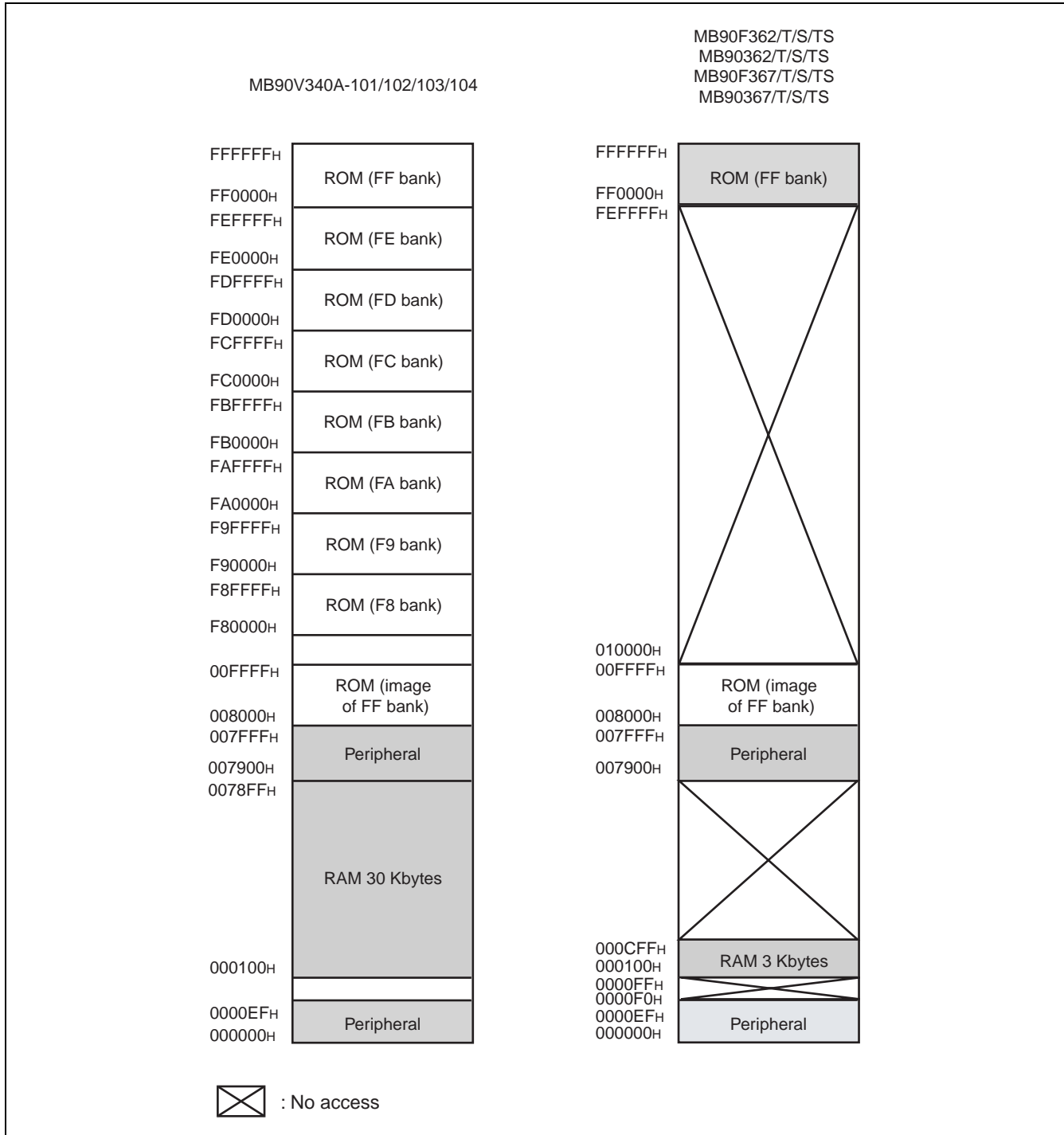


MB90360 Series

• MB90F362/T/S/TS, MB90362/T/S/TS, MB90F367/T/S/TS, MB90367/T/S/TS



MEMORY MAP



Note : The high-order portion of bank 00 gives the image of the FF bank ROM to make the small model of the C compiler effective. Since the low-order 16 bits are the same, the table in ROM can be referred without using the far specification in the pointer declaration.

For example, an attempt to access 00C000H accesses the value at FFC000H in ROM.

The ROM area in bank FF exceeds 32 Kbytes, and its entire image cannot be shown in bank 00.

The image between FF8000H and FFFFFFFH is visible in bank 00, while the image between FF0000H and FF7FFFH is visible only in bank FF.

MB90360 Series

■ I/O MAP

(Address : 000000_H-0000FF_H)

Address	Register	Abbrevia- tion	Access	Resource name	Initial value
000000 _H , 000001 _H	Reserved				
000002 _H	Port 2 Data Register	PDR2	R/W	Port 2	XXXXXXXX _B
000003 _H	Reserved				
000004 _H	Port 4 Data Register	PDR4	R/W	Port 4	XXXXXXXX _B
000005 _H	Port 5 Data Register	PDR5	R/W	Port 5	XXXXXXXX _B
000006 _H	Port 6 Data Register	PDR6	R/W	Port 6	XXXXXXXX _B
000007 _H	Reserved				
000008 _H	Port 8 Data Register	PDR8	R/W	Port 8	XXXXXXXX _B
000009 _H , 00000A _H	Reserved				
00000B _H	Port 5 Analog Input Enable Register	ADER5	R/W	Port 5, A/D	1111111 _B
00000C _H	Port 6 Analog Input Enable Register	ADER6	R/W	Port 6, A/D	1111111 _B
00000D _H	Reserved				
00000E _H	Input Level Select Register	ILSR0	R/W	Ports	XXXX0XXX _B
00000F _H	Input Level Select Register	ILSR1	R/W	Ports	XXXXXXXX _B
000010 _H , 000011 _H	Reserved				
000012 _H	Port 2 Direction Register	DDR2	R/W	Port 2	0000000 _B
000013 _H	Reserved				
000014 _H	Port 4 Direction Register	DDR4	R/W	Port 4	XXX0000 _B
000015 _H	Port 5 Direction Register	DDR5	R/W	Port 5	0000000 _B
000016 _H	Port 6 Direction Register	DDR6	R/W	Port 6	0000000 _B
000017 _H	Reserved				
000018 _H	Port 8 Direction Register	DDR8	R/W	Port 8	00000X0 _B
000019 _H	Reserved				
00001A _H	Port A Direction Register	DDRA	W	Port A	XXX00XXX _B
00001B _H to 00001D _H	Reserved				
00001E _H	Port 2 Pull-up Control Register	PUCR2	R/W	Port 2	0000000 _B
00001F _H	Reserved				

(Continued)

MB90360 Series

Address	Register	Abbrevia- tion	Access	Resource name	Initial value
000020 _H	Serial Mode Register 0	SMR0	W, R/W	UART0	00000000 _B
000021 _H	Serial Control Register 0	SCR0	W, R/W		00000000 _B
000022 _H	Reception/Transmission Data Register 0	RDR0/ TDR0	R/W		00000000 _B
000023 _H	Serial Status Register 0	SSR0	R, R/W		00001000 _B
000024 _H	Extended Communication Control Register 0	ECCR0	R, W, R/W		000000XX _B
000025 _H	Extended Status/Control Register 0	ESCR0	R/W		00000100 _B
000026 _H	Baud Rate Generator Register 00	BGR00	R/W, R		00000000 _B
000027 _H	Baud Rate Generator Register 01	BGR01	R/W, R		00000000 _B
000028 _H	Serial Mode Register 1	SMR1	W, R/W	UART1	00000000 _B
000029 _H	Serial Control Register 1	SCR1	W, R/W		00000000 _B
00002A _H	Reception/Transmission Data Register 1	RDR1/ TDR1	R/W		00000000 _B
00002B _H	Serial Status Register 1	SSR1	R, R/W		00001000 _B
00002C _H	Extended Communication Control Register 1	ECCR1	R, W, R/W		000000XX _B
00002D _H	Extended Status/Control Register 1	ESCR1	R/W		00000100 _B
00002E _H	Baud Rate Generator Register 10	BGR10	R/W, R		00000000 _B
00002F _H	Baud Rate Generator Register 11	BGR11	R/W, R		00000000 _B
000030 _H to 00003A _H	Reserved				
00003B _H	Address Detect Control Register 1	PACSR1	R/W	Address Match Detection 1	00000000 _B
00003C _H to 000047 _H	Reserved				
000048 _H	PPG C Operation Mode Control Register	PPGCC	W, R/W	16-bit PPG C/D	0X000XX1 _B
000049 _H	PPG D Operation Mode Control Register	PPGCD	W, R/W		0X000001 _B
00004A _H	PPG C/PPG D Count Clock Select Register	PPGCD	R/W		000000X0 _B
00004B _H	Reserved				
00004C _H	PPG E Operation Mode Control Register	PPGCE	W, R/W	16-bit PPG E/F	0X000XX1 _B
00004D _H	PPG F Operation Mode Control Register	PPGCF	W, R/W		0X000001 _B
00004E _H	PPG E/PPG F Count Clock Select Register	PPGEF	R/W		000000X0 _B
00004F _H	Reserved				

(Continued)

MB90360 Series

Address	Register	Abbreviation	Access	Resource name	Initial value
000050 _H	Input Capture Control Status 0/1	ICS01	R/W	Input Capture 0/1	00000000 _B
000051 _H	Input Capture Edge 0/1	ICE01	R/W, R		XXX0X0XX _B
000052 _H	Input Capture Control Status 2/3	ICS23	R/W	Input Capture 2/3	00000000 _B
000053 _H	Input Capture Edge 2/3	ICE23	R		XXXXXXXX _B
000054 _H to 000063 _H	Reserved				
000064 _H	Timer Control Status 2	TMCSR2	R/W	16-bit Reload Timer 2	00000000 _B
000065 _H	Timer Control Status 2	TMCSR2	R/W		XXXX0000 _B
000066 _H	Timer Control Status 3	TMCSR3	R/W	16-bit Reload Timer 3	00000000 _B
000067 _H	Timer Control Status 3	TMCSR3	R/W		XXXX0000 _B
000068 _H	A/D Control Status 0	ADCS0	R/W	A/D Converter	000XXXX0 _B
000069 _H	A/D Control Status 1	ADCS1	R/W, W		0000000X _B
00006A _H	A/D Data 0	ADCR0	R		00000000 _B
00006B _H	A/D Data 1	ADCR1	R		XXXXXXXX00 _B
00006C _H	ADC Setting 0	ADSR0	R/W		00000000 _B
00006D _H	ADC Setting 1	ADSR1	R/W		00000000 _B
00006E _H	Low Voltage/CPU Operation Detection Reset Control Register	LVRC	R/W, W	Low voltage/CPU operation detection reset	00111000 _B
00006F _H	ROM Mirror Function Select	ROMM	W	ROM Mirror	XXXXXXXX1 _B
000070 _H to 00007F _H	Reserved				
000080 _H to 00008F _H	Reserved for CAN Interface 1. Refer to "■ CAN CONTROLLERS"				
000090 _H to 00009D _H	Reserved				
00009E _H	Address Detect Control Register 0	PACSR0	R/W	Address Match Detection 0	00000000 _B
00009F _H	Delayed Interrupt/Release Register	DIRR	R/W	Delayed Interrupt generation module	XXXXXXXX0 _B
0000A0 _H	Low-power Consumption Mode Control Register	LPMCR	W, R/W	Low-Power consumption Control Circuit	00011000 _B
0000A1 _H	Clock Selection Register	CKSCR	R, R/W	Low-Power consumption Control Circuit	11111100 _B

(Continued)

MB90360 Series

Address	Register	Abbrevia- tion	Access	Resource name	Initial value
0000A2 _H to 0000A7 _H	Reserved				
0000A8 _H	Watchdog Control Register	WDTC	R, W	Watchdog Timer	XXXXX111 _B
0000A9 _H	Timebase Timer Control Register	TBTC	W, R/W	Timebase Timer	1XX00100 _B
0000AA _H	Watch Timer Control register	WTC	R, R/W	Watch Timer	1X001000 _B
0000AB _H to 0000AD _H	Reserved				
0000AE _H	Flash Control Status (Flash Devices only. Otherwise reserved)	FMCS	R, R/W	Flash Memory	000X0000 _B
0000AF _H	Reserved				
0000B0 _H	Interrupt Control Register 00	ICR00	W, R/W	Interrupt Control	00000111 _B
0000B1 _H	Interrupt Control Register 01	ICR01	W, R/W		00000111 _B
0000B2 _H	Interrupt Control Register 02	ICR02	W, R/W		00000111 _B
0000B3 _H	Interrupt Control Register 03	ICR03	W, R/W		00000111 _B
0000B4 _H	Interrupt Control Register 04	ICR04	W, R/W		00000111 _B
0000B5 _H	Interrupt Control Register 05	ICR05	W, R/W		00000111 _B
0000B6 _H	Interrupt Control Register 06	ICR06	W, R/W		00000111 _B
0000B7 _H	Interrupt Control Register 07	ICR07	W, R/W		00000111 _B
0000B8 _H	Interrupt Control Register 08	ICR08	W, R/W		00000111 _B
0000B9 _H	Interrupt Control Register 09	ICR09	W, R/W		00000111 _B
0000BA _H	Interrupt Control Register 10	ICR10	W, R/W		00000111 _B
0000BB _H	Interrupt Control Register 11	ICR11	W, R/W		00000111 _B
0000BC _H	Interrupt Control Register 12	ICR12	W, R/W		00000111 _B
0000BD _H	Interrupt Control Register 13	ICR13	W, R/W		00000111 _B
0000BE _H	Interrupt Control Register 14	ICR14	W, R/W		00000111 _B
0000BF _H	Interrupt Control Register 15	ICR15	W, R/W		00000111 _B
0000C0 _H to 0000C9 _H	Reserved				
0000CA _H	External Interrupt Enable 1	ENIR1	R/W	External Interrupt 1	00000000 _B
0000CB _H	External Interrupt Source 1	EIRR1	R/W		XXXXXXXX _B
0000CC _H	Detection Level Setting 1	ELVR1	R/W		00000000 _B
0000CD _H					00000000 _B
0000CE _H	External Interrupt Source Select	EISSR	R/W		00000000 _B

(Continued)

MB90360 Series

(Continued)

Address	Register	Abbrevia- tion	Access	Resource name	Initial value
0000CF _H	PLL/Subclock Control Register	PSCCR	W	PLL	XXXX0000 _B
0000D0 _H to 0000FF _H	Reserved				

MB90360 Series

(Address : 7900H-7FFFH)

Address	Register	Abbrevia- tion	Access	Resource name	Initial value
7900H to 7917H	Reserved				
7918H	Reload Register LC	PRLLC	R/W	16-bit PPG C/D	XXXXXXXXXB
7919H	Reload Register HC	PRLHC	R/W		XXXXXXXXXB
791AH	Reload Register LD	PRLLD	R/W		XXXXXXXXXB
791BH	Reload Register HD	PRLHD	R/W		XXXXXXXXXB
791CH	Reload Register LE	PRLLE	R/W	16-bit PPG E/F	XXXXXXXXXB
791DH	Reload Register HE	PRLHE	R/W		XXXXXXXXXB
791EH	Reload Register LF	PRLLF	R/W		XXXXXXXXXB
791FH	Reload Register HF	PRLHF	R/W		XXXXXXXXXB
7920H	Input Capture 0	IPCP0	R	Input Capture 0/1	XXXXXXXXXB
7921H	Input Capture 0	IPCP0	R		XXXXXXXXXB
7922H	Input Capture 1	IPCP1	R		XXXXXXXXXB
7923H	Input Capture 1	IPCP1	R		XXXXXXXXXB
7924H	Input Capture 2	IPCP2	R	Input Capture 2/3	XXXXXXXXXB
7925H	Input Capture 2	IPCP2	R		XXXXXXXXXB
7926H	Input Capture 3	IPCP3	R		XXXXXXXXXB
7927H	Input Capture 3	IPCP3	R		XXXXXXXXXB
7928H to 793FH	Reserved				
7940H	Timer Data 0	TCDT0	R/W	I/O Timer 0	00000000B
7941H	Timer Data 0	TCDT0	R/W		00000000B
7942H	Timer Control Status 0	TCCSL0	R/W		00000000B
7943H	Timer Control Status 0	TCCSH0	R/W		0XXXXXXXXB
7944H to 794BH	Reserved				
794CH	Timer 2/Reload 2	TMR2/ TMRLR2	R/W	16-bit Reload Timer 2	XXXXXXXXXB
794DH			R/W		XXXXXXXXXB
794EH	Timer 3/Reload 3	TMR3/ TMRLR3	R/W	16-bit Reload Timer 3	XXXXXXXXXB
794FH			R/W		XXXXXXXXXB
7950H to 795FH	Reserved				

(Continued)

MB90360 Series

Address	Register	Abbreviation	Access	Resource name	Initial value
7960 _H	Clock Monitor Function Control Register	CSVCR	R, R/W	Clock monitor	00011100 _B
7961 _H to 796D _H	Reserved				
796E _H	CAN Direct Mode Register (MB90V340 only)	CDMR	R/W	CAN clock sync	XXXXXXXX0 _B
796F _H to 79DF _H	Reserved				
79E0 _H	Detect Address Setting 0	PADR0	R/W	Address Match Detection 0	XXXXXXXX _B
79E1 _H	Detect Address Setting 0	PADR0	R/W		XXXXXXXX _B
79E2 _H	Detect Address Setting 0	PADR0	R/W		XXXXXXXX _B
79E3 _H	Detect Address Setting 1	PADR1	R/W		XXXXXXXX _B
79E4 _H	Detect Address Setting 1	PADR1	R/W		XXXXXXXX _B
79E5 _H	Detect Address Setting 1	PADR1	R/W		XXXXXXXX _B
79E6 _H	Detect Address Setting 2	PADR2	R/W		XXXXXXXX _B
79E7 _H	Detect Address Setting 2	PADR2	R/W		XXXXXXXX _B
79E8 _H	Detect Address Setting 2	PADR2	R/W		XXXXXXXX _B
79E9 _H to 79EF _H	Reserved				
79F0 _H	Detect Address Setting 3	PADR3	R/W	Address Match Detection 1	XXXXXXXX _B
79F1 _H	Detect Address Setting 3	PADR3	R/W		XXXXXXXX _B
79F2 _H	Detect Address Setting 3	PADR3	R/W		XXXXXXXX _B
79F3 _H	Detect Address Setting 4	PADR4	R/W		XXXXXXXX _B
79F4 _H	Detect Address Setting 4	PADR4	R/W		XXXXXXXX _B
79F5 _H	Detect Address Setting 4	PADR4	R/W		XXXXXXXX _B
79F6 _H	Detect Address Setting 5	PADR5	R/W		XXXXXXXX _B
79F7 _H	Detect Address Setting 5	PADR5	R/W		XXXXXXXX _B
79F8 _H	Detect Address Setting 5	PADR5	R/W		XXXXXXXX _B
79F9 _H to 7BFF _H	Reserved				
7C00 _H to 7CFF _H	Reserved for CAN Interface 1. Refer to "■ CAN CONTROLLERS"				

(Continued)

(Continued)

Address	Register	Abbrevia- tion	Access	Resource name	Initial value
7D00H to 7DFFH	Reserved for CAN Interface 1. Refer to "■ CAN CONTROLLERS"				
7E00H to 7FFFH	Reserved				

- Notes :
- Initial value of "X" represents unknown value.
 - Any write access to reserved addresses in I/O map should not be performed. A read access to reserved addresses results in reading "X".

MB90360 Series

■ CAN CONTROLLERS

The CAN controller has the following features :

- Conforms to CAN Specification Version 2.0 Part A and B
 - Supports transmission/reception in standard frame and extended frame formats
- Supports transmitting of data frames by receiving remote frames
- 16 transmitting/receiving message buffers
 - 29-bit ID and 8-byte data
 - Multi-level message buffer configuration
- Provides full-bit comparison, full-bit mask, acceptance register 0/acceptance register 1 for each message buffer as ID acceptance mask
 - 2 acceptance mask registers in either standard frame format or extended frame formats
- Bit rate programmable from 10 Kbps/s to 2 Mbps/s (when input clock is at 16 MHz)

List of Control Registers (1)

Address	Register	Abbreviation	Access	Initial Value
CAN1				
000080 _H	Message buffer valid register	BVALR	R/W	00000000 _B
000081 _H				00000000 _B
000082 _H	Transmit request register	TREQR	R/W	00000000 _B
000083 _H				00000000 _B
000084 _H	Transmit cancel register	TCANR	W	00000000 _B
000085 _H				00000000 _B
000086 _H	Transmission complete register	TCR	R/W	00000000 _B
000087 _H				00000000 _B
000088 _H	Receive complete register	RCR	R/W	00000000 _B
000089 _H				00000000 _B
00008A _H	Remote request receiving register	RRTRR	R/W	00000000 _B
00008B _H				00000000 _B
00008C _H	Receive overrun register	ROVRR	R/W	00000000 _B
00008D _H				00000000 _B
00008E _H	Reception interrupt enable register	RIER	R/W	00000000 _B
00008F _H				00000000 _B

List of Control Registers (2)

Address	Register	Abbreviation	Access	Initial Value
CAN1				
007D00H	Control status register	CSR	R/W, W R/W, R	0XXXX0X1 _B 00XXXX000 _B
007D01H				
007D02H	Last event indicator register	LEIR	R/W	000X0000 _B XXXXXXXX _B
007D03H				
007D04H	Receive and transmit error counter	RTEC	R	00000000 _B 00000000 _B
007D05H				
007D06H	Bit timing register	BTR	R/W	11111111 _B X1111111 _B
007D07H				
007D08H	IDE register	IDER	R/W	XXXXXXXX _B XXXXXXXX _B
007D09H				
007D0AH	Transmit RTR register	TRTRR	R/W	00000000 _B 00000000 _B
007D0BH				
007D0CH	Remote frame receive waiting register	RFWTR	R/W	XXXXXXXX _B XXXXXXXX _B
007D0DH				
007D0EH	Transmit interrupt enable register	TIER	R/W	00000000 _B 00000000 _B
007D0FH				
007D10H	Acceptance mask select register	AMSR	R/W	XXXXXXXX _B XXXXXXXX _B
007D11H				
007D12H				XXXXXXXX _B XXXXXXXX _B
007D13H				
007D14H	Acceptance mask register 0	AMR0	R/W	XXXXXXXX _B XXXXXXXX _B
007D15H				
007D16H				XXXXXXXX _B XXXXXXXX _B
007D17H				
007D18H	Acceptance mask register 1	AMR1	R/W	XXXXXXXX _B XXXXXXXX _B
007D19H				
007D1AH				XXXXXXXX _B XXXXXXXX _B
007D1BH				

MB90360 Series

List of Message Buffers (ID Registers) (1)

Address	Register	Abbreviation	Access	Initial Value
CAN1				
007C00 _H to 007C1F _H	General-purpose RAM	—	R/W	XXXXXXXX _B to XXXXXXXX _B
007C20 _H	ID register 0	IDR0	R/W	XXXXXXXX _B XXXXXXXX _B
007C21 _H				XXXXXXXX _B XXXXXXXX _B
007C22 _H				XXXXXXXX _B XXXXXXXX _B
007C23 _H				XXXXXXXX _B XXXXXXXX _B
007C24 _H	ID register 1	IDR1	R/W	XXXXXXXX _B XXXXXXXX _B
007C25 _H				XXXXXXXX _B XXXXXXXX _B
007C26 _H				XXXXXXXX _B XXXXXXXX _B
007C27 _H				XXXXXXXX _B XXXXXXXX _B
007C28 _H	ID register 2	IDR2	R/W	XXXXXXXX _B XXXXXXXX _B
007C29 _H				XXXXXXXX _B XXXXXXXX _B
007C2A _H				XXXXXXXX _B XXXXXXXX _B
007C2B _H				XXXXXXXX _B XXXXXXXX _B
007C2C _H	ID register 3	IDR3	R/W	XXXXXXXX _B XXXXXXXX _B
007C2D _H				XXXXXXXX _B XXXXXXXX _B
007C2E _H				XXXXXXXX _B XXXXXXXX _B
007C2F _H				XXXXXXXX _B XXXXXXXX _B
007C30 _H	ID register 4	IDR4	R/W	XXXXXXXX _B XXXXXXXX _B
007C31 _H				XXXXXXXX _B XXXXXXXX _B
007C32 _H				XXXXXXXX _B XXXXXXXX _B
007C33 _H				XXXXXXXX _B XXXXXXXX _B
007C34 _H	ID register 5	IDR5	R/W	XXXXXXXX _B XXXXXXXX _B
007C35 _H				XXXXXXXX _B XXXXXXXX _B
007C36 _H				XXXXXXXX _B XXXXXXXX _B
007C37 _H				XXXXXXXX _B XXXXXXXX _B
007C38 _H	ID register 6	IDR6	R/W	XXXXXXXX _B XXXXXXXX _B
007C39 _H				XXXXXXXX _B XXXXXXXX _B
007C3A _H				XXXXXXXX _B XXXXXXXX _B
007C3B _H				XXXXXXXX _B XXXXXXXX _B
007C3C _H	ID register 7	IDR7	R/W	XXXXXXXX _B XXXXXXXX _B
007C3D _H				XXXXXXXX _B XXXXXXXX _B
007C3E _H				XXXXXXXX _B XXXXXXXX _B
007C3F _H				XXXXXXXX _B XXXXXXXX _B

List of Message Buffers (ID Registers) (2)

Address	Register	Abbreviation	Access	Initial Value
CAN1				
007C40 _H	ID register 8	IDR8	R/W	XXXXXXXX _B
007C41 _H				XXXXXXXX _B
007C42 _H				XXXXXXXX _B
007C43 _H				XXXXXXXX _B
007C44 _H	ID register 9	IDR9	R/W	XXXXXXXX _B
007C45 _H				XXXXXXXX _B
007C46 _H				XXXXXXXX _B
007C47 _H				XXXXXXXX _B
007C48 _H	ID register 10	IDR10	R/W	XXXXXXXX _B
007C49 _H				XXXXXXXX _B
007C4A _H				XXXXXXXX _B
007C4B _H				XXXXXXXX _B
007C4C _H	ID register 11	IDR11	R/W	XXXXXXXX _B
007C4D _H				XXXXXXXX _B
007C4E _H				XXXXXXXX _B
007C4F _H				XXXXXXXX _B
007C50 _H	ID register 12	IDR12	R/W	XXXXXXXX _B
007C51 _H				XXXXXXXX _B
007C52 _H				XXXXXXXX _B
007C53 _H				XXXXXXXX _B
007C54 _H	ID register 13	IDR13	R/W	XXXXXXXX _B
007C55 _H				XXXXXXXX _B
007C56 _H				XXXXXXXX _B
007C57 _H				XXXXXXXX _B
007C58 _H	ID register 14	IDR14	R/W	XXXXXXXX _B
007C59 _H				XXXXXXXX _B
007C5A _H				XXXXXXXX _B
007C5B _H				XXXXXXXX _B
007C5C _H	ID register 15	IDR15	R/W	XXXXXXXX _B
007C5D _H				XXXXXXXX _B
007C5E _H				XXXXXXXX _B
007C5F _H				XXXXXXXX _B

MB90360 Series

List of Message Buffers (DLC Registers and Data Registers) (1)

Address	Register	Abbreviation	Access	Initial Value
CAN1				
007C60 _H	DLC register 0	DLCR0	R/W	XXXXXXXX _B
007C61 _H				
007C62 _H	DLC register 1	DLCR1	R/W	XXXXXXXX _B
007C63 _H				
007C64 _H	DLC register 2	DLCR2	R/W	XXXXXXXX _B
007C65 _H				
007C66 _H	DLC register 3	DLCR3	R/W	XXXXXXXX _B
007C67 _H				
007C68 _H	DLC register 4	DLCR4	R/W	XXXXXXXX _B
007C69 _H				
007C6A _H	DLC register 5	DLCR5	R/W	XXXXXXXX _B
007C6B _H				
007C6C _H	DLC register 6	DLCR6	R/W	XXXXXXXX _B
007C6D _H				
007C6E _H	DLC register 7	DLCR7	R/W	XXXXXXXX _B
007C6F _H				
007C70 _H	DLC register 8	DLCR8	R/W	XXXXXXXX _B
007C71 _H				
007C72 _H	DLC register 9	DLCR9	R/W	XXXXXXXX _B
007C73 _H				
007C74 _H	DLC register 10	DLCR10	R/W	XXXXXXXX _B
007C75 _H				
007C76 _H	DLC register 11	DLCR11	R/W	XXXXXXXX _B
007C77 _H				
007C78 _H	DLC register 12	DLCR12	R/W	XXXXXXXX _B
007C79 _H				
007C7A _H	DLC register 13	DLCR13	R/W	XXXXXXXX _B
007C7B _H				
007C7C _H	DLC register 14	DLCR14	R/W	XXXXXXXX _B
007C7D _H				
007C7E _H	DLC register 15	DLCR15	R/W	XXXXXXXX _B
007C7F _H				

List of Message Buffers (DLC Registers and Data Registers) (2)

Address	Register	Abbreviation	Access	Initial Value
CAN1				
007C80H to 007C87H	Data register 0 (8 bytes)	DTR0	R/W	XXXXXXXX _B to XXXXXXXX _B
007C88H to 007C8FH	Data register 1 (8 bytes)	DTR1	R/W	XXXXXXXX _B to XXXXXXXX _B
007C90H to 007C97H	Data register 2 (8 bytes)	DTR2	R/W	XXXXXXXX _B to XXXXXXXX _B
007C98H to 007C9FH	Data register 3 (8 bytes)	DTR3	R/W	XXXXXXXX _B to XXXXXXXX _B
007CA0H to 007CA7H	Data register 4 (8 bytes)	DTR4	R/W	XXXXXXXX _B to XXXXXXXX _B
007CA8H to 007CAFH	Data register 5 (8 bytes)	DTR5	R/W	XXXXXXXX _B to XXXXXXXX _B
007CB0H to 007CB7H	Data register 6 (8 bytes)	DTR6	R/W	XXXXXXXX _B to XXXXXXXX _B
007CB8H to 007CBFH	Data register 7 (8 bytes)	DTR7	R/W	XXXXXXXX _B to XXXXXXXX _B
007CC0H to 007CC7H	Data register 8 (8 bytes)	DTR8	R/W	XXXXXXXX _B to XXXXXXXX _B
007CC8H to 007CCFH	Data register 9 (8 bytes)	DTR9	R/W	XXXXXXXX _B to XXXXXXXX _B
007CD0H to 007CD7H	Data register 10 (8 bytes)	DTR10	R/W	XXXXXXXX _B to XXXXXXXX _B
007CD8H to 007CDFH	Data register 11 (8 bytes)	DTR11	R/W	XXXXXXXX _B to XXXXXXXX _B
007CE0H to 007CE7H	Data register 12 (8 bytes)	DTR12	R/W	XXXXXXXX _B to XXXXXXXX _B
007CE8H to 007CEFH	Data register 13 (8 bytes)	DTR13	R/W	XXXXXXXX _B to XXXXXXXX _B

MB90360 Series

List of Message Buffers (DLC Registers and Data Registers) (3)

Address	Register	Abbreviation	Access	Initial Value
CAN1				
007CF0 _H to 007CF7 _H	Data register 14 (8 bytes)	DTR14	R/W	XXXXXXXX _B to XXXXXXXX _B
007CF8 _H to 007CFF _H	Data register 15 (8 bytes)	DTR15	R/W	XXXXXXXX _B to XXXXXXXX _B

■ INTERRUPT FACTORS, INTERRUPT VECTORS, INTERRUPT CONTROL REGISTER

Interrupt cause	EI ² OS corresponding	Interrupt vector		Interrupt control register	
		Number	Address	Number	Address
Reset	N	#08	FFFFDC _H	—	—
INT9 instruction	N	#09	FFFFD8 _H	—	—
Exception	N	#10	FFFFD4 _H	—	—
Reserved	N	#11	FFFFD0 _H	ICR00	0000B0 _H
Reserved	N	#12	FFFFCC _H		
CAN 1 reception	N	#13	FFFFC8 _H	ICR01	0000B1 _H
CAN 1 transmission/node status	N	#14	FFFFC4 _H		
Reserved	N	#15	FFFFC0 _H	ICR02	0000B2 _H
Reserved	N	#16	FFFFBC _H		
Reserved	N	#17	FFFFB8 _H	ICR03	0000B3 _H
Reserved	N	#18	FFFFB4 _H		
16-bit reload timer 2	Y1	#19	FFFFB0 _H	ICR04	0000B4 _H
16-bit reload timer 3	Y1	#20	FFFFAC _H		
Reserved	N	#21	FFFFA8 _H	ICR05	0000B5 _H
Reserved	N	#22	FFFFA4 _H		
PPG C/D	N	#23	FFFFA0 _H	ICR06	0000B6 _H
PPG E/F	N	#24	FFFF9C _H		
Timebase timer	N	#25	FFFF98 _H	ICR07	0000B7 _H
External interrupt 8 to 11	Y1	#26	FFFF94 _H		
Watch timer	N	#27	FFFF90 _H	ICR08	0000B8 _H
External interrupt 12 to 15	Y1	#28	FFFF8C _H		
A/D converter	Y1	#29	FFFF88 _H	ICR09	0000B9 _H
I/O timer 0	N	#30	FFFF84 _H		
Reserved	N	#31	FFFF80 _H	ICR10	0000BA _H
Reserved	N	#32	FFFF7C _H		
Input capture 0 to 3	Y1	#33	FFFF78 _H	ICR11	0000BB _H
Reserved	N	#34	FFFF74 _H		
UART 0 reception	Y2	#35	FFFF70 _H	ICR12	0000BC _H
UART 0 transmission	Y1	#36	FFFF6C _H		
UART 1 reception	Y2	#37	FFFF68 _H	ICR13	0000BD _H
UART 1 transmission	Y1	#38	FFFF64 _H		

(Continued)

MB90360 Series

(Continued)

Interrupt cause	EI ² OS corresponding	Interrupt vector		Interrupt control register	
		Number	Address	Number	Address
Reserved	N	#39	FFFF60H	ICR14	0000BEH
Reserved	N	#40	FFFF5CH		
Flash memory	N	#41	FFFF58H	ICR15	0000BFH
Delayed interrupt generation module	N	#42	FFFF54H		

Y1 : Usable

Y2 : Usable, with EI²OS stop function

N : Unusable

- Notes :
- The peripheral resources sharing the ICR register have the same interrupt level.
 - When 2 peripheral resources share the ICR register, only one can use extended intelligent I/O service at a time.
 - When either of the 2 peripheral resources sharing the ICR register specifies extended intelligent I/O service, the other one cannot use interrupts.

■ ELECTRICAL CHARACTERISTICS

1. Absolute Maximum Ratings

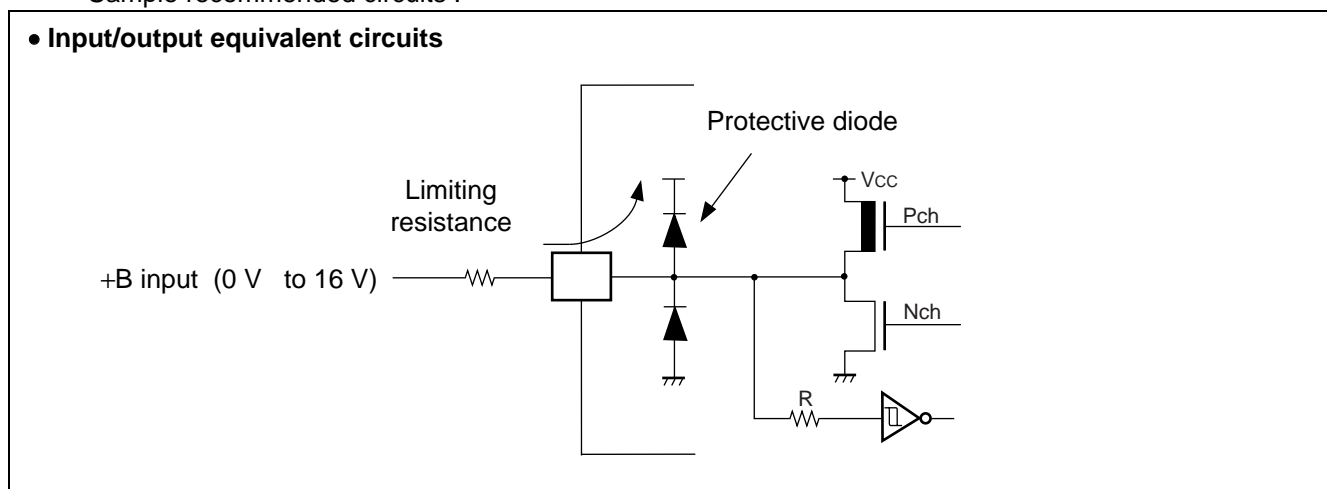
Parameter	Symbol	Rating		Unit	Remarks
		Min	Max		
Power supply voltage*1	V _{CC}	V _{SS} - 0.3	V _{SS} + 6.0	V	
	AV _{CC}	V _{SS} - 0.3	V _{SS} + 6.0	V	V _{CC} = AV _{CC} *2
	AVR	V _{SS} - 0.3	V _{SS} + 6.0	V	AV _{CC} ≥ AVR*2
Input voltage*1	V _I	V _{SS} - 0.3	V _{SS} + 6.0	V	*3
Output voltage*1	V _O	V _{SS} - 0.3	V _{SS} + 6.0	V	*3
Maximum clamp current	I _{CLAMP}	-2.0	+2.0	mA	*6
Total Maximum clamp current	Σ I _{CLAMP}	—	40	mA	*6
“L” level maximum output current	I _{OL1}	—	15	mA	*4
	I _{OL2}	—	40	mA	*5
“L” level average output current	I _{OLAV1}	—	4	mA	*4
	I _{OLAV2}	—	30	mA	*5
“L” level maximum overall output current	ΣI _{OL1}	—	125	mA	*4
	ΣI _{OL2}	—	160	mA	*5
“L” level average overall output current	ΣI _{OLAV1}	—	40	mA	*4 +105 °C < T _A ≤ +125 °C
	ΣI _{OLAV2}				*5 +105 °C < T _A ≤ +125 °C
	ΣI _{OLAV1}	—	40	mA	*4 -40 °C ≤ T _A ≤ +105 °C
	ΣI _{OLAV2}				*5 -40 °C ≤ T _A ≤ +105 °C
“H” level maximum output current	I _{OH1}	—	-15	mA	*4
	I _{OH2}	—	-40	mA	*5
“H” level average output current	I _{OHAV1}	—	-4	mA	*4
	I _{OHAV2}	—	-30	mA	*5
“H” level maximum overall output current	ΣI _{OH1}	—	-125	mA	*4
	ΣI _{OH2}	—	-160	mA	*5
“H” level average overall output current	ΣI _{OHAV1}	—	-40	mA	*4 +105 °C < T _A ≤ +125 °C
	ΣI _{OHAV2}				*5 +105 °C < T _A ≤ +125 °C
	ΣI _{OHAV1}	—	-40	mA	*4 -40 °C ≤ T _A ≤ +105 °C
	ΣI _{OHAV2}				*5 -40 °C ≤ T _A ≤ +105 °C
Power consumption	P _D	—	300	mW	MB90F362/T/S/TS, MB90F367/T/S/TS
Operating temperature	T _A	-40	+105	°C	
		-40	+125	°C	*7
Storage temperature	T _{STG}	-55	+150	°C	

(Continued)

MB90360 Series

(Continued)

- *1 : This parameter is based on $V_{SS} = AV_{SS} = 0$ V.
- *2 : Set AV_{CC} and V_{CC} to the same voltage. Make sure that AV_{CC} does not exceed V_{CC} and that the voltage at the analog inputs does not exceed AV_{CC} when the power is switched on.
- *3 : V_I and V_O should not exceed $V_{CC} + 0.3$ V. V_I should not exceed the specified ratings. However, if the maximum current to/from an input is limited by some means with external components, the I_{CLAMP} rating supersedes the V_I rating.
- *4 : Applicable to pins : P24 to P27, P40 to P44, P50 to P57, P60 to P67, P80, P82 to P87
- *5 : Applicable to pins : P20 to P23
- *6 : Applicable to pins : P20 to P27, P40 to P44, P50 to P57, P60 to P67, P80, P82 to P87
 - Use within recommended operating conditions.
 - Use at DC voltage (current) .
 - The +B signal should always be applied a limiting resistance placed between the +B signal and the microcontroller.
 - The value of the limiting resistance should be set so that when the +B signal is applied the input current to the microcontroller pin does not exceed rated values, either instantaneously or for prolonged periods.
 - Note that when the microcontroller drive current is low, such as in the power saving modes, the +B input potential may pass through the protective diode and increase the potential at the V_{CC} pin, and this may affect other devices.
 - Note that if a +B signal is inputted when the microcontroller power supply is off (not fixed at 0 V) , the power supply is provided from the pins, so that incomplete operation may result.
 - Note that if the +B input is applied during power-on, the power supply is provided from the pins and the resulting power supply voltage may not be sufficient to operate the power-on reset.
 - Care must be taken not to leave the +B input pin open.
 - Sample recommended circuits :



- *7 : If used exceeding $T_A = +105$ °C, please contact Fujitsu for reliability limitations.

WARNING: Semiconductor devices can be permanently damaged by application of stress (voltage, current, temperature, etc.) in excess of absolute maximum ratings. Do not exceed these ratings.

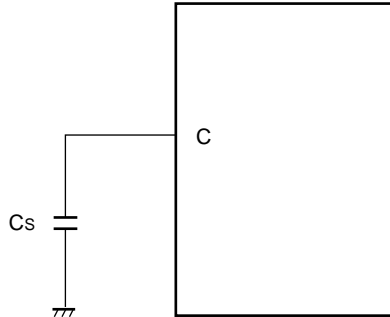
2. Recommended Conditions

($V_{SS} = AV_{SS} = 0\text{ V}$)

Parameter	Symbol	Value			Unit	Remarks
		Min	Typ	Max		
Power supply voltage	V_{CC}, AV_{CC}	4.0	5.0	5.5	V	Under normal operation
		3.5	5.0	5.5	V	Under normal operation when not using the A/D converter and not Flash programming.
		3.0	—	5.5	V	Maintains RAM data in stop mode
Smooth capacitor	C_S	0.1	—	1.0	μF	Use a ceramic capacitor or capacitor of better AC characteristics. Bypass capacitor at the V_{CC} pin should be greater than this capacitor.
Operating temperature	T_A	-40	—	+105	$^{\circ}\text{C}$	
		-40	—	+125	$^{\circ}\text{C}$	*

* : If used exceeding $T_A = +105\text{ }^{\circ}\text{C}$, please contact Fujitsu for reliability limitations.

• C Pin Connection Diagram



WARNING: The recommended operating conditions are required in order to ensure the normal operation of the semiconductor device. All of the device's electrical characteristics are warranted when the device is operated within these ranges.

Always use semiconductor devices within their recommended operating condition ranges. Operation outside these ranges may adversely affect reliability and could result in device failure.

No warranty is made with respect to uses, operating conditions, or combinations not represented on the data sheet. Users considering application outside the listed conditions are advised to contact their FUJITSU representatives beforehand.

MB90360 Series

3. DC Characteristics

($T_A = -40\text{ }^\circ\text{C}$ to $+125\text{ }^\circ\text{C}$, $V_{CC} = 5.0\text{ V} \pm 10\%$, $f_{CP} \leq 24\text{ MHz}$, $V_{SS} = AV_{SS} = 0\text{ V}$)

Parameter	Symbol	Pin	Condition	Value			Unit	Remarks
				Min	Typ	Max		
Input "H" voltage	V_{IHS}	—	—	$0.8 V_{CC}$	—	$V_{CC} + 0.3$	V	Pin inputs if CMOS hysteresis input levels are selected (except P82, P85)
	V_{IHA}	—	—	$0.8 V_{CC}$	—	$V_{CC} + 0.3$	V	Pin inputs if Automotive input levels are selected
	V_{IHS}	—	—	$0.7 V_{CC}$	—	$V_{CC} + 0.3$	V	P82, P85 inputs if CMOS input levels are selected
	V_{IHR}	—	—	$0.8 V_{CC}$	—	$V_{CC} + 0.3$	V	\overline{RST} input pin (CMOS hysteresis)
	V_{IHM}	—	—	$V_{CC} - 0.3$	—	$V_{CC} + 0.3$	V	MD input pin
Input "L" voltage	V_{ILS}	—	—	$V_{SS} - 0.3$	—	$0.2 V_{CC}$	V	Pin inputs if CMOS hysteresis input levels are selected (except P82, P85)
	V_{ILA}	—	—	$V_{SS} - 0.3$	—	$0.5 V_{CC}$	V	Pin inputs if Automotive input levels are selected
	V_{ILS}	—	—	$V_{SS} - 0.3$	—	$0.3 V_{CC}$	V	P82, P85 inputs if CMOS input levels are selected
	V_{ILR}	—	—	$V_{SS} - 0.3$	—	$0.2 V_{CC}$	V	\overline{RST} input pin (CMOS hysteresis)
	V_{ILM}	—	—	$V_{SS} - 0.3$	—	$V_{SS} + 0.3$	V	MD input pin
Output "H" voltage	V_{OH}	Other than P20 to P23	$V_{CC} = 4.5\text{ V}$, $I_{OH} = -4.0\text{ mA}$	$V_{CC} - 0.5$	—	—	V	
Output "H" voltage	V_{OHI}	P20 to P23	$V_{CC} = 4.5\text{ V}$, $I_{OH} = -14.0\text{ mA}$	$V_{CC} - 0.5$	—	—	V	
Output "L" voltage	V_{OL}	Other than P20 to P23	$V_{CC} = 4.5\text{ V}$, $I_{OL} = 4.0\text{ mA}$	—	—	0.4	V	
Output "L" voltage	V_{OLI}	P20 to P23	$V_{CC} = 4.5\text{ V}$, $I_{OL} = 20.0\text{ mA}$	—	—	0.4	V	
Input leak current	I_{IL}	—	$V_{CC} = 5.5\text{ V}$, V_{SS} $< V_I < V_{CC}$	-1	—	1	μA	
Pull-up resistance	R_{UP}	P20 to P27, \overline{RST}	—	25	50	100	k Ω	
Pull-down resistance	R_{DOWN}	MD2	—	25	50	100	k Ω	Except Flash devices

(Continued)

MB90360 Series

($T_A = -40\text{ }^\circ\text{C}$ to $+125\text{ }^\circ\text{C}$, $V_{CC} = 5.0\text{ V} \pm 10\%$, $f_{CP} \leq 24\text{ MHz}$, $V_{SS} = AV_{SS} = 0\text{ V}$)

Parameter	Symbol	Pin	Condition	Value			Unit	Remarks	
				Min	Typ	Max			
Power supply current*	I _{CC}	V _{CC}	V _{CC} = 5.0 V, Internal frequency : 24 MHz, At normal operation.	—	35	45	mA		
			V _{CC} = 5.0 V, Internal frequency : 24 MHz, At writing FLASH memory.	—	50	60	mA	Flash devices	
			V _{CC} = 5.0 V, Internal frequency : 24 MHz, At erasing FLASH memory.	—	50	60	mA	Flash devices	
	I _{CCS}		V _{CC} = 5.0 V, Internal frequency : 24 MHz, At sleep mode.	—	12	20	mA		
	I _{CTS}		V _{CC} = 5.0 V, Internal frequency : 2 MHz, At main timer mode	—	0.3	0.8	mA	Without T model	
				—	0.4	1.0		With T model	
	I _{CTSPLL6}		V _{CC} = 5.0 V, Internal frequency : 24 MHz, At PLL timer mode, External frequency = 4 MHz	—	4	7	mA		
	I _{CCL}		V _{CC} = 5.0 V Internal frequency : 8 kHz, At sub operation, T _A = +25°C	Stopping clock monitor function	—	40	100	μA	MB90F362, MB90F367, MB90362, MB90367
				Operating clock monitor function	—	60	150		MB90F367, MB90367
				Stopping clock monitor function	—	90	200		MB90F362T, MB90F367T, MB90362T, MB90367T
				Operating clock monitor function	—	110	250		MB90F367T, MB90367T
	I _{CCLS}		V _{CC} = 5.0 V Internal frequency : 8 kHz, At sub sleep, T _A = +25°C	Stopping clock monitor function	—	10	50	μA	MB90F362, MB90F367, MB90362, MB90367
				Operating clock monitor function	—	30	100		MB90F367, MB90367
				Stopping clock monitor function	—	60	150		MB90F362T, MB90F367T, MB90362T, MB90367T
				Operating clock monitor function	—	80	200		MB90F367T, MB90367T
I _{CCT}	V _{CC} = 5.0 V Internal frequency : 8 kHz, At watch mode, T _A = +25°C	Stopping clock monitor function	—	8	30	μA	MB90F362, MB90F367, MB90362, MB90367		
		Operating clock monitor function	—	30	70		MB90F367, MB90367		
		Stopping clock monitor function	—	60	130		MB90F362T, MB90F367T, MB90362T, MB90367T		
		Operating clock monitor function	—	80	170		MB90F367T, MB90367T		
I _{CCH}	V _{CC} = 5.0 V, At stop mode, T _A = +25°C	—	5	25	μA	Without T model			
		—	50	130	μA	With T model			

* : The power supply current is measured with an external clock.

(Continued)

MB90360 Series

(Continued)

($T_A = -40\text{ }^\circ\text{C}$ to $+125\text{ }^\circ\text{C}$, $V_{CC} = 5.0\text{ V} \pm 10\%$, $f_{CP} \leq 24\text{ MHz}$, $V_{SS} = AV_{SS} = 0\text{ V}$)

Parameter	Symbol	Pin	Condition	Value			Unit	Remarks
				Min	Typ	Max		
Input capacity	C_{IN}	Other than AV_{CC} , AV_{SS} , AVR , V_{CC} , V_{SS} , C	—	—	5	15	pF	

4. AC Characteristics

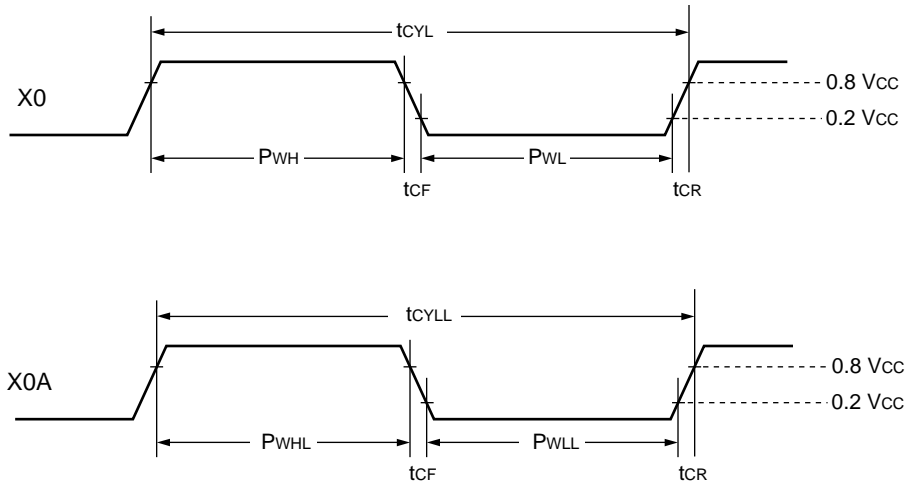
(1) Clock Timing

($T_A = -40\text{ }^\circ\text{C}$ to $+125\text{ }^\circ\text{C}$, $V_{CC} = 5.0\text{ V} \pm 10\%$, $f_{CP} \leq 24\text{ MHz}$, $V_{SS} = AV_{SS} = 0\text{ V}$)

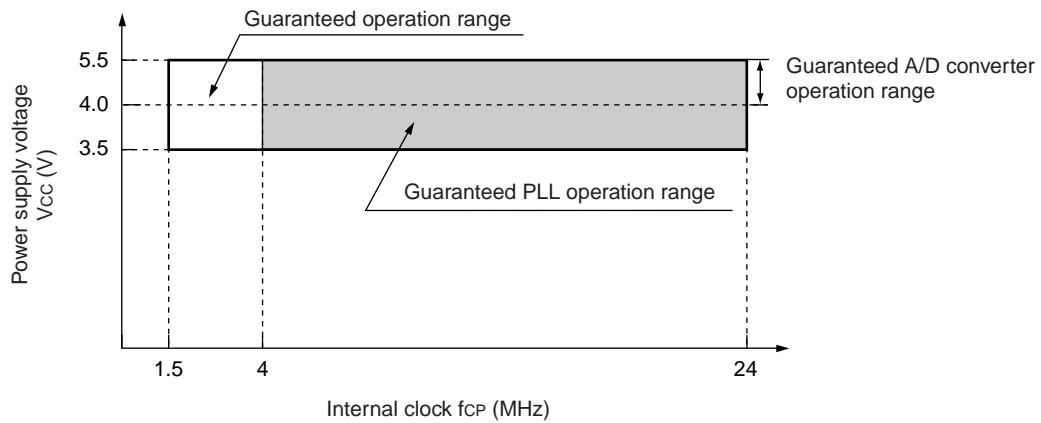
Parameter	Symbol	Pin	Value			Unit	Remarks
			Min	Typ	Max		
Clock frequency	f_c	X0, X1	3	—	16	MHz	1/2 when PLL stops, When using an oscillation circuit
			4	—	16	MHz	PLL \times 1, When using an oscillation circuit
			4	—	12	MHz	PLL \times 2, When using an oscillation circuit
			4	—	8	MHz	PLL \times 3, When using an oscillation circuit
			4	—	6	MHz	PLL \times 4, When using an oscillation circuit
			4	—	4	MHz	PLL \times 6, When using an oscillation circuit
		X0, X1	3	—	24	MHz	1/2 when PLL stops, When using an external clock
			4	—	24	MHz	PLL \times 1, When using an external clock
			4	—	12	MHz	PLL \times 2, When using an external clock
			4	—	8	MHz	PLL \times 3, When using an external clock
			4	—	6	MHz	PLL \times 4, When using an external clock
			4	—	4	MHz	PLL \times 6, When using an external clock
	f_{CL}	X0A, X1A	—	32.768	100	kHz	
Clock cycle time	t_{CYL}	X0, X1	62.5	—	333	ns	When using an oscillation circuit
		X0, X1	41.67	—	333	ns	When using an external clock
	t_{CYLL}	X0A, X1A	10	30.5	—	μs	
Input clock pulse width	P_{WH}, P_{WL}	X0	10	—	—	ns	Duty ratio is about 30% to 70%.
	P_{WHL}, P_{WLL}	X0A	5	15.2	—	μs	
Input clock rise and fall time	t_{CR}, t_{CF}	X0	—	—	5	ns	When using external clock
Internal operating clock frequency (machine clock)	f_{CP}	—	1.5	—	24	MHz	When using main clock
	f_{CPL}	—	—	8.192	50	kHz	When using sub clock
Internal operating clock cycle time (machine clock)	t_{CP}	—	41.67	—	666	ns	When using main clock
	t_{CPL}	—	20	122.1	—	μs	When using sub clock

MB90360 Series

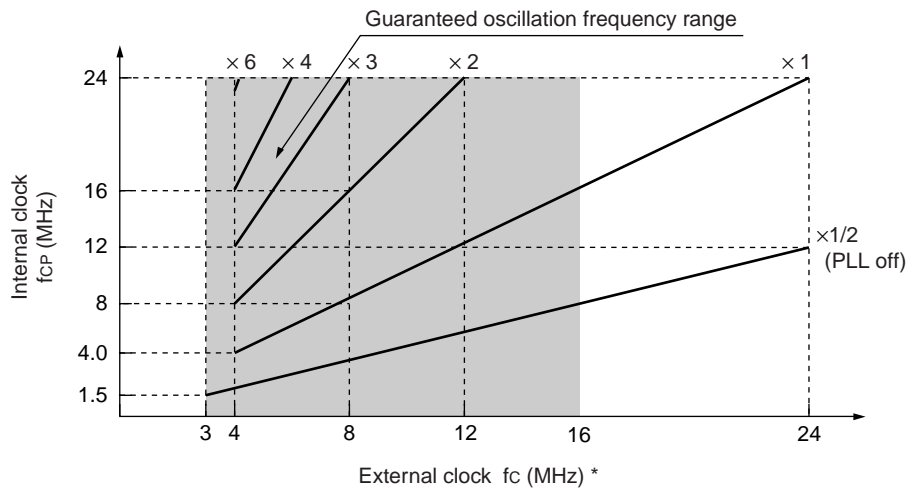
• Clock Timing



- Guaranteed PLL Operation Range



Guaranteed operation range of MB90360 series



* : When using the oscillation circuit, the maximum oscillation clock frequency is 16 MHz.

MB90360 Series

(2) Reset Standby Input

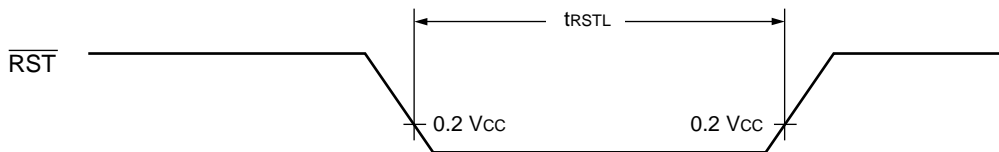
($T_A = -40\text{ }^\circ\text{C}$ to $+125\text{ }^\circ\text{C}$, $V_{CC} = 5.0\text{ V} \pm 10\%$, $f_{CP} \leq 24\text{ MHz}$, $V_{SS} = AV_{SS} = 0\text{ V}$)

Parameter	Symbol	Pin	Value		Unit	Remarks
			Min	Max		
Reset input time	t_{RSTL}	\overline{RST}	500	—	ns	Under normal operation
			Oscillation time of oscillator* + 100 μs		ns	In stop mode, sub clock mode, sub sleep mode and watch mode
			100	—	μs	In timebase timer mode

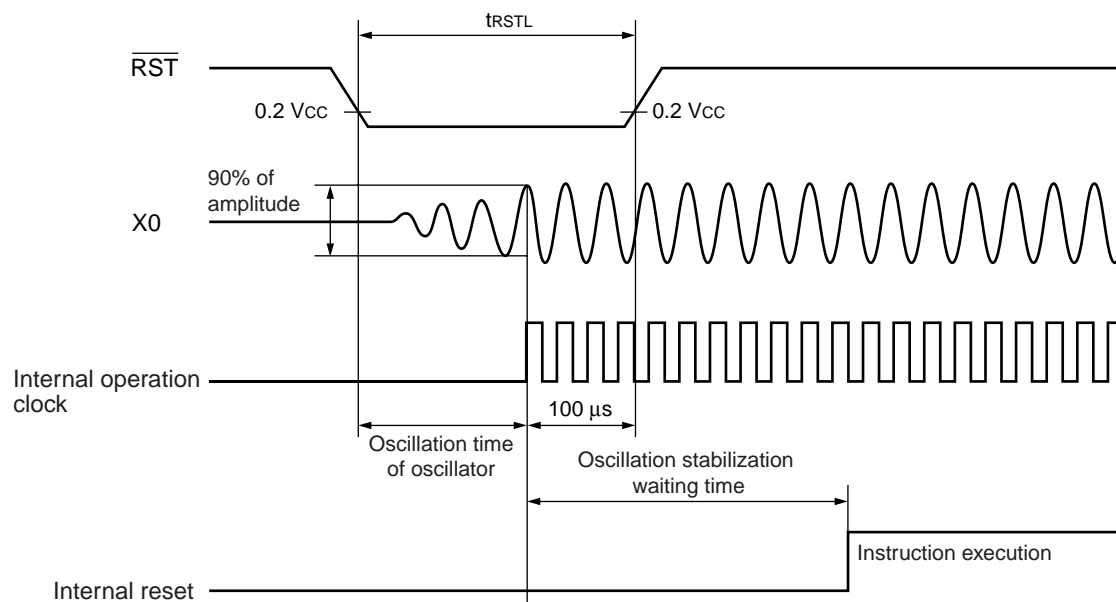
* : Oscillation time of oscillator is the time that the amplitude reaches 90%.

In the crystal oscillator, the oscillation time is between several ms and tens of ms. In FAR / ceramic oscillators, the oscillation time is between hundreds of μs and several ms. With an external clock, the oscillation time is 0 ms.

• Under normal operation :



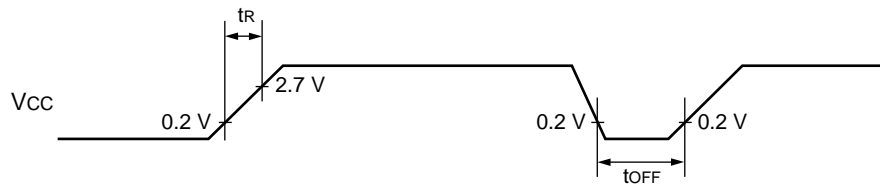
• In stop mode, sub clock mode, sub sleep mode, watch mode :



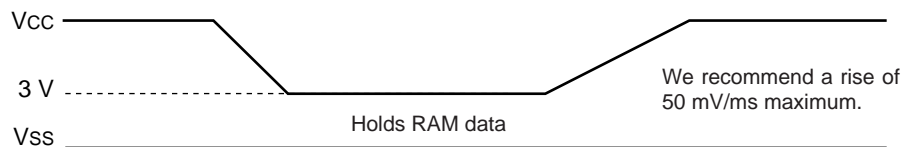
(3) Power-on Reset

($T_A = -40\text{ }^\circ\text{C}$ to $+125\text{ }^\circ\text{C}$, $V_{CC} = 5.0\text{ V} \pm 10\%$, $f_{CP} \leq 24\text{ MHz}$, $V_{SS} = AV_{SS} = 0\text{ V}$)

Parameter	Symbol	Pin	Condition	Value		Unit	Remarks
				Min	Max		
Power on rise time	t_R	V_{CC}	—	0.05	30	ms	
Power off time	t_{OFF}	V_{CC}	—	1	—	ms	Due to repetitive operation



If you change the power supply voltage too rapidly, a power-on reset may occur. We recommend that you start up smoothly by restraining voltages when changing the power supply voltage during operation, as shown in the figure below. Perform while not using the PLL clock. However, if voltage drops are within 1 V/s, you can operate while using the PLL clock.



MB90360 Series

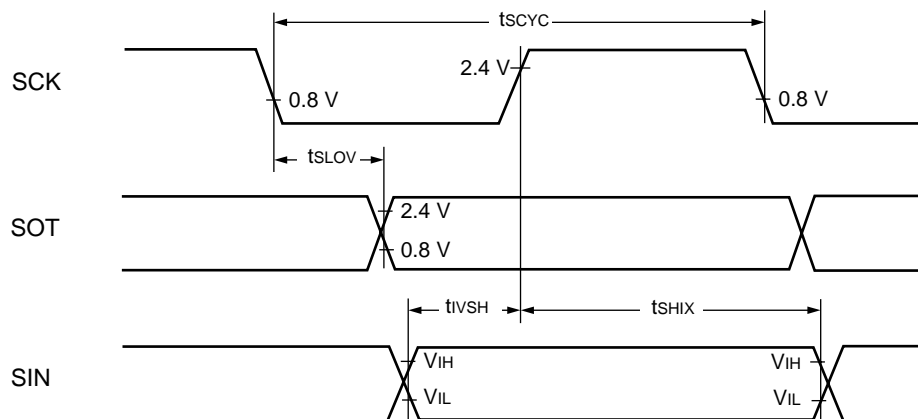
(4) UART0/1

($T_A = -40\text{ }^\circ\text{C}$ to $+125\text{ }^\circ\text{C}$, $V_{CC} = 5.0\text{ V} \pm 10\%$, $f_{CP} \leq 24\text{ MHz}$, $V_{SS} = 0\text{ V}$)

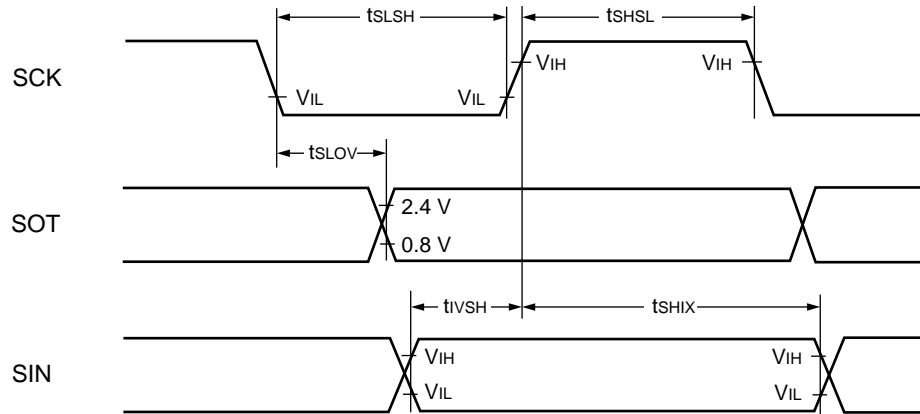
Parameter	Symbol	Pin	Condition	Value		Unit	Remarks
				Min	Max		
Serial clock cycle time	t_{SCYC}	SCK0, SCK1	Internal shift clock mode output pins are $C_L = 80\text{ pF} + 1\text{ TTL}$.	$8\ t_{CP}$	—	ns	
SCK ↓ → SOT delay time	t_{SLOV}	SCK0, SCK1, SOT0, SOT1		-80	+80	ns	
Valid SIN → SCK ↑	t_{IVSH}	SCK0, SCK1, SIN0, SIN1		100	—	ns	
SCK ↑ → Valid SIN hold time	t_{SHIX}	SCK0, SCK1, SIN0, SIN1		60	—	ns	
Serial clock "H" pulse width	t_{SHSL}	SCK0, SCK1	External shift clock mode output pins are $C_L = 80\text{ pF} + 1\text{ TTL}$.	$4\ t_{CP}$	—	ns	
Serial clock "L" pulse width	t_{SLSH}	SCK0, SCK1		$4\ t_{CP}$	—	ns	
SCK ↓ → SOT delay time	t_{SLOV}	SCK0, SCK1, SOT0, SOT1		—	150	ns	
Valid SIN → SCK ↑	t_{IVSH}	SCK0, SCK1, SIN0, SIN1		60	—	ns	
SCK ↑ → Valid SIN hold time	t_{SHIX}	SCK0, SCK1, SIN0, SIN1		60	—	ns	

- Notes :
- AC characteristic in CLK synchronized mode.
 - C_L is load capacity value of pins when testing.
 - t_{CP} is internal operating clock cycle time (machine clock) . Refer to "(1) Clock Timing".

• Internal Shift Clock Mode



• External Shift Clock Mode



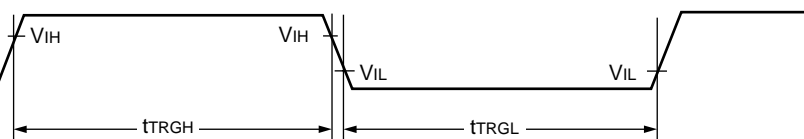
(5) Trigger Input Timing

($T_A = -40\text{ }^{\circ}\text{C}$ to $+125\text{ }^{\circ}\text{C}$, $V_{CC} = 5.0\text{ V} \pm 10\%$, $f_{CP} \leq 24\text{ MHz}$, $V_{SS} = 0\text{ V}$)

Parameter	Symbol	Pin	Condition	Value		Unit	Remarks
				Min	Max		
Input pulse width	t_{TRGH} t_{TRGL}	INT8, INT9R INT10, INT11 INT12R, INT13 INT14R, INT15R ADTG	—	$5 t_{CP}$	—	ns	

Note : t_{CP} is internal operating clock cycle time (machine clock) . Refer to “ (1) Clock Timing”.

INT8, INT9R
INT10, INT11
INT12R, INT13
INT14R, INT15R
ADTG



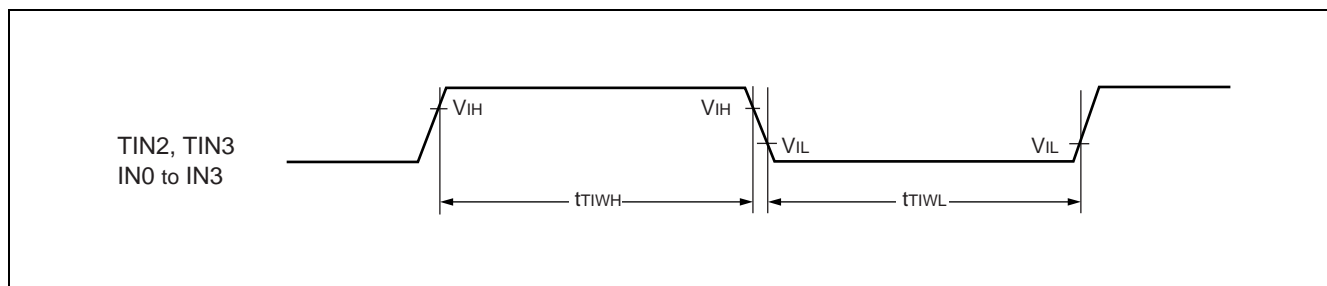
MB90360 Series

(6) Timer Related Resource Input Timing

($T_A = -40\text{ }^\circ\text{C}$ to $+125\text{ }^\circ\text{C}$, $V_{CC} = 5.0\text{ V} \pm 10\%$, $f_{CP} \leq 24\text{ MHz}$, $V_{SS} = 0\text{ V}$)

Parameter	Symbol	Pin	Condition	Value		Unit	Remarks
				Min	Max		
Input pulse width	t_{TIWH}	TIN2, TIN3 IN0 to IN3	—	4 t_{CP}	—	ns	
	t_{TIWL}						

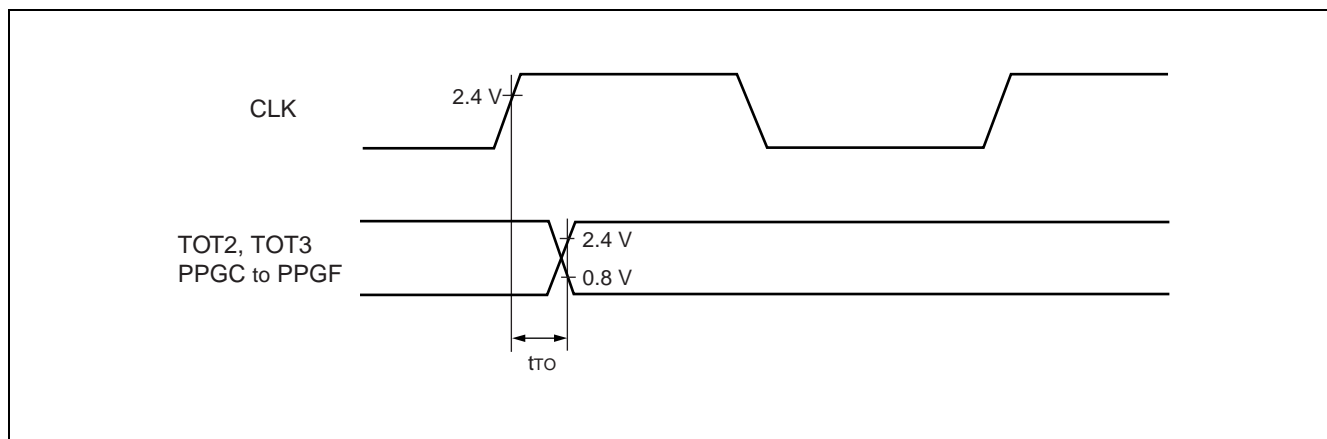
Note : t_{CP} is internal operating clock cycle time (machine clock) . Refer to “ (1) Clock Timing”.



(7) Timer Related Resource Output Timing

($T_A = -40\text{ }^\circ\text{C}$ to $+125\text{ }^\circ\text{C}$, $V_{CC} = 5.0\text{ V} \pm 10\%$, $f_{CP} \leq 24\text{ MHz}$, $V_{SS} = 0\text{ V}$)

Parameter	Symbol	Pin	Condition	Value		Unit	Remarks
				Min	Max		
CLK \uparrow \rightarrow T _{OUT} change time	t_{TO}	TOT2, TOT3 PPGC to PPGF	—	30	—	ns	



5. A/D Converter

($T_A = -40\text{ }^\circ\text{C}$ to $+125\text{ }^\circ\text{C}$, $3.0\text{ V} \leq AV_R - AV_{SS}$, $V_{CC} = AV_{CC} = 5.0\text{ V} \pm 10\%$, $f_{CP} \leq 24\text{ MHz}$, $V_{SS} = AV_{SS} = 0\text{ V}$)

Parameter	Symbol	Pin	Value			Unit	Remarks
			Min	Typ	Max		
Resolution	—	—	—	—	10	bit	
Total error	—	—	—	—	± 3.0	LSB	
Nonlinearity error	—	—	—	—	± 2.5	LSB	
Differential nonlinearity error	—	—	—	—	± 1.9	LSB	
Zero reading voltage	V_{OT}	AN0 to AN15	$AV_{SS} - 1.5$	$AV_{SS} + 0.5$	$AV_{SS} + 2.5$	LSB	
Full scale reading voltage	V_{FST}	AN0 to AN15	$AV_R - 3.5$	$AV_R - 1.5$	$AV_R + 0.5$	LSB	
Compare time	—	—	1.0	—	16,500	μs	$4.5\text{ V} \leq AV_{CC} \leq 5.5\text{ V}$
			2.0				$4.0\text{ V} \leq AV_{CC} < 4.5\text{ V}$
Sampling time	—	—	0.5	—	∞	μs	$4.5\text{ V} \leq AV_{CC} \leq 5.5\text{ V}$
			1.2				$4.0\text{ V} \leq AV_{CC} < 4.5\text{ V}$
Analog port input current	I_{AIN}	AN0 to AN15	-0.3	—	+0.3	μA	
Analog input voltage range	V_{AIN}	AN0 to AN15	AV_{SS}	—	AV_R	V	
Reference voltage range	—	AV_R	$AV_{SS} + 2.7$	—	AV_{CC}	V	
Power supply current	I_A	AV_{CC}	—	3.5	7.5	mA	
	I_{AH}	AV_{CC}	—	—	5	μA	*
Reference voltage supply current	I_R	AV_R	—	600	900	μA	
	I_{RH}	AV_R	—	—	5	μA	*
Offset between input channels	—	AN0 to AN15	—	—	4	LSB	

* : If A/D converter is not operating, a current when CPU is stopped is applicable ($V_{CC} = AV_{CC} = AV_R = 5.0\text{ V}$) .

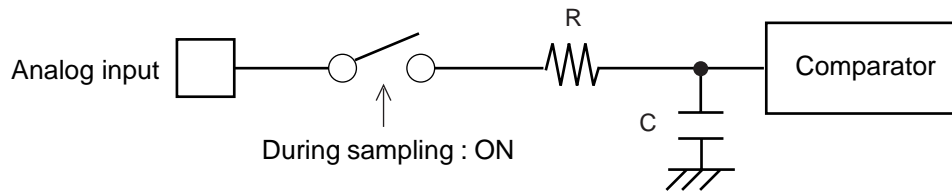
(Continued)

MB90360 Series

- **About the external impedance of analog input and its sampling time**

- A/D converter with sample and hold circuit. If the external impedance is too high to keep sufficient sampling time, the analog voltage charged to the internal sample and hold capacitor is insufficient, adversely affecting A/D conversion precision.

- Analog input circuit model



MB90F362/T/S/TS, MB90F367/T/S/TS

	R	C
$4.5\text{ V} \leq AV_{CC} \leq 5.5\text{ V}$	2.0 k Ω (Max)	16.0 pF (Max)
$4.0\text{ V} \leq AV_{CC} < 4.5\text{ V}$	8.2 k Ω (Max)	16.0 pF (Max)

MB90362/T/S/TS, MB90367/T/S/TS, MB90V340A-101/102/103/104

	R	C
$4.5\text{ V} \leq AV_{CC} \leq 5.5\text{ V}$	2.0 k Ω (Max)	14.4 pF (Max)
$4.0\text{ V} \leq AV_{CC} < 4.5\text{ V}$	8.2 k Ω (Max)	14.4 pF (Max)

Note : The values are reference values.

(Continued)

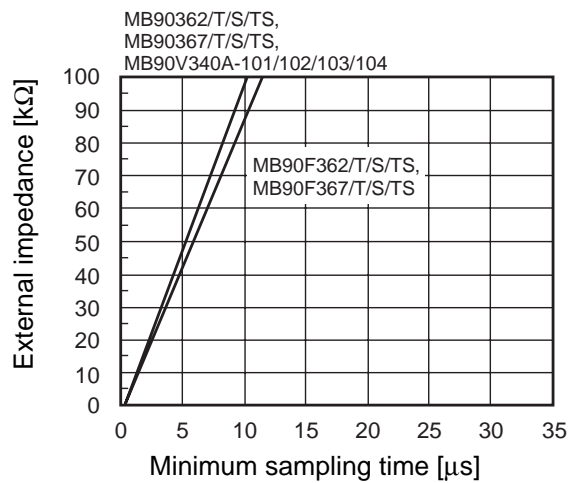
(Continued)

- To satisfy the A/D conversion precision standard, consider the relationship between the external impedance and minimum sampling time and either adjust the resistor value and operating frequency or decrease the external impedance so that the sampling time is longer than the minimum value.

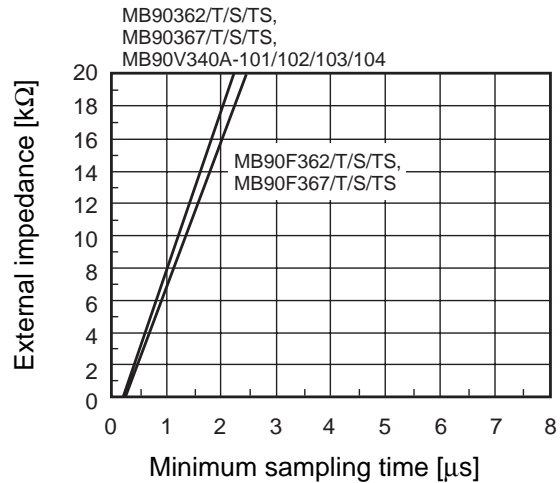
- The relationship between external impedance and minimum sampling time

- At $4.5\text{ V} \leq AV_{CC} \leq 5.5\text{ V}$

(External impedance = 0 kΩ to 100 kΩ)

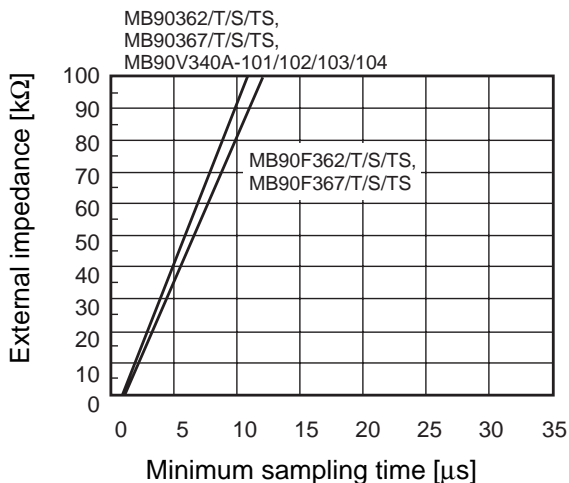


(External impedance = 0 kΩ to 20 kΩ)

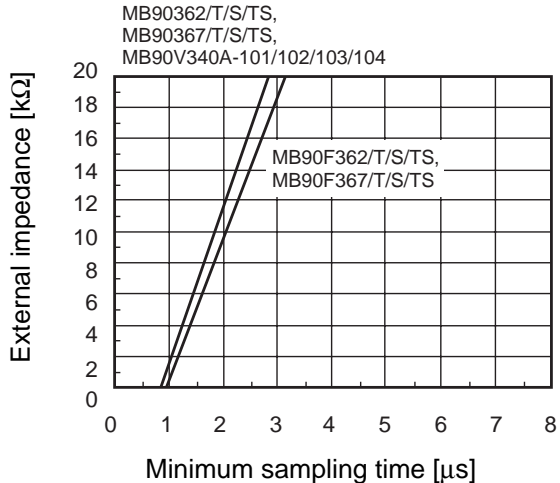


- At $4.0\text{ V} \leq AV_{CC} < 4.5\text{ V}$

(External impedance = 0 kΩ to 100 kΩ)



(External impedance = 0 kΩ to 20 kΩ)



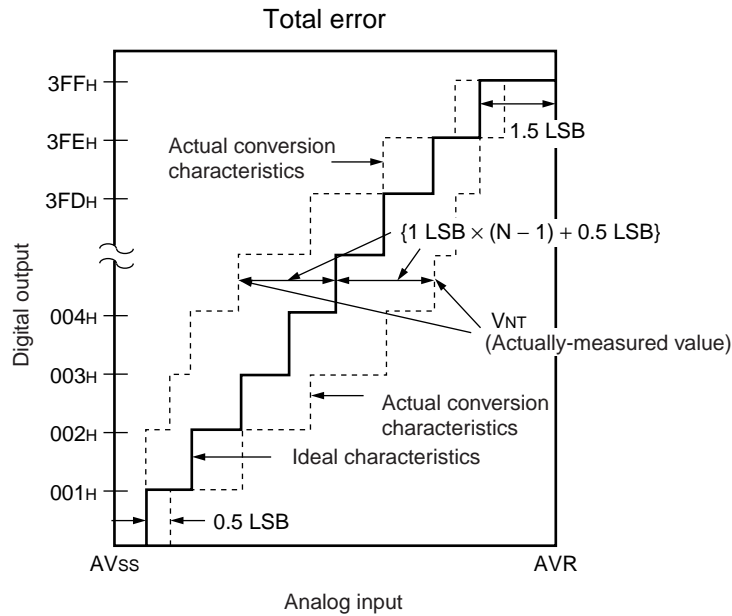
- If the sampling time cannot be sufficient, connect a capacitor of about 0.1 μF to the analog input pin.

• About errors

As $|AVR - AV_{SS}|$ becomes smaller, values of relative errors grow larger.

6. Definition of A/D Converter Terms

- Resolution : Analog variation that is recognized by an A/D converter.
- Non linearity error : Deviation between a line across zero-transition line (“00 0000 0000_B” ← → “00 0000 0001_B”) and full-scale transition line (“11 1111 1110_B” ← → “11 1111 1111_B”) and actual conversion characteristics.
- Differential linearity error : Deviation of input voltage, which is required for changing output code by 1 LSB, from an ideal value.
- Total error : Difference between an actual value and an theoretical value. A total error includes zero transition error, full-scale transition error, and linear error.



$$\text{Total error of digital output "N"} = \frac{V_{NT} - \{1 \text{ LSB} \times (N - 1) + 0.5 \text{ LSB}\}}{1 \text{ LSB}} \text{ [LSB]}$$

$$1 \text{ LSB} = (\text{Ideal value}) \frac{AVR - AV_{SS}}{1024} \text{ [V]}$$

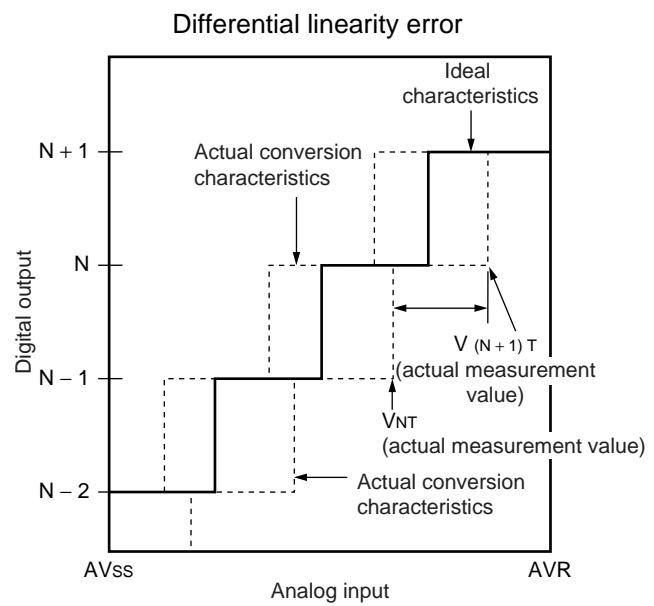
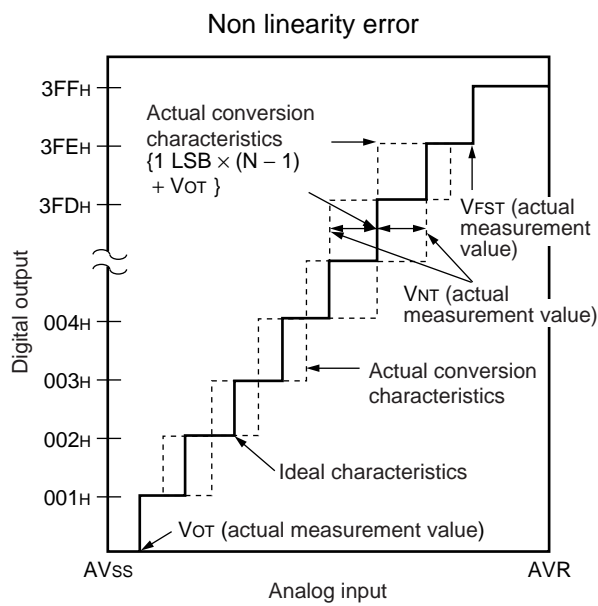
$$V_{OT} (\text{Ideal value}) = AV_{SS} + 0.5 \text{ LSB [V]}$$

$$V_{FST} (\text{Ideal value}) = AVR - 1.5 \text{ LSB [V]}$$

V_{NT} : A voltage at which digital output transits from (N - 1) to N.

(Continued)

(Continued)



$$\text{Non linearity error of digital output } N = \frac{V_{NT} - \{1 \text{ LSB} \times (N - 1) + V_{OT}\}}{1 \text{ LSB}} \text{ [LSB]}$$

$$\text{Differential linearity error of digital output } N = \frac{V_{(N+1)T} - V_{NT}}{1 \text{ LSB}} - 1 \text{ LSB [LSB]}$$

$$1 \text{ LSB} = \frac{V_{FST} - V_{OT}}{1022} \text{ [V]}$$

V_{OT} : Voltage at which digital output transits from "000H" to "001H."

V_{FST} : Voltage at which digital output transits from "3FEH" to "3FFH."

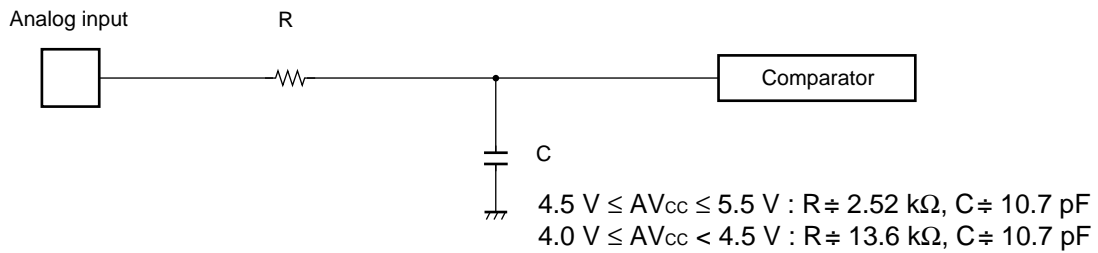
MB90360 Series

7. Notes on A/D Converter Section

Use the device with external circuits of the following output impedance for analog inputs :

- Recommended output impedance of external circuits are : Approx. 1.5 kΩ or lower ($4.0\text{ V} \leq AV_{CC} \leq 5.5\text{ V}$, sampling period = 0.5 μs)
- If an external capacitor is used, in consideration of the effect by tap capacitance caused by external capacitors and on-chip capacitors, capacitance of the external one is recommended to be several thousand times as high as internal capacitor.
- If output impedance of an external circuit is too high, a sampling period for an analog voltage may be insufficient.

• Analog input circuit model



Note : Use the values in the figure only as a guideline.

8. Flash Memory Program/Erase Characteristics

Parameter	Conditions	Value			Unit	Remarks
		Min	Typ	Max		
Chip erase time	$T_A = +25\text{ }^\circ\text{C}$ $V_{CC} = 5.0\text{ V}$	—	1	15	s	Excludes programming prior to erasure
Word (16-bit width) programming time		—	16	3,600	μs	Except for the overhead time of the system level
Program/Erase cycle	—	10,000	—	—	cycle	
Flash memory data retention time	Average $T_A = +85\text{ }^\circ\text{C}$	20	—	—	Year	*

* : This value comes from the technology qualification (using Arrhenius equation to translate high temperature measurements into normalized value at +85 °C) .

■ ORDERING INFORMATION

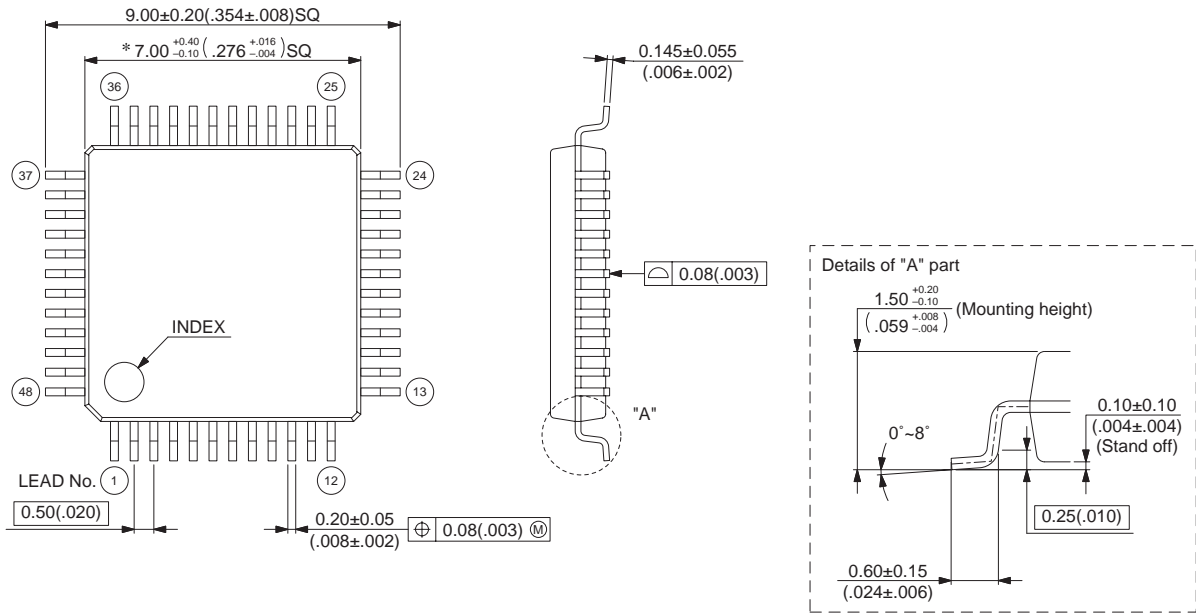
Part number	Package	Remarks
MB90F362PMT	48-pin Plastic LQFP (FPT-48P-M26)	
MB90F362TPMT		
MB90F362SPMT		
MB90F362TSPMT		
MB90F367PMT		
MB90F367TPMT		
MB90F367SPMT		
MB90F367TSPMT		
MB90362PMT		
MB90362TPMT		
MB90362SPMT		
MB90362TSPMT		
MB90367PMT		
MB90367TPMT		
MB90367SPMT		
MB90367TSPMT		
MB90V340A-101	299-pin Ceramic PGA (PGA-299C-A01)	For evaluation
MB90V340A-102		
MB90V340A-103		
MB90V340A-104		

MB90360 Series

PACKAGE DIMENSION

48-pin Plastic LQFP
(FPT-48P-M26)

Note 1) * : These dimensions include resin protrusion.
 Note 2) Pins width and pins thickness include plating thickness.
 Note 3) Pins width do not include tie bar cutting remainder.



© 2003 FUJITSU LIMITED F48040S-c-2-2

Dimensions in mm (inches)

Note : The values in parentheses are reference values.

FUJITSU LIMITED

All Rights Reserved.

The contents of this document are subject to change without notice. Customers are advised to consult with FUJITSU sales representatives before ordering.

The information, such as descriptions of function and application circuit examples, in this document are presented solely for the purpose of reference to show examples of operations and uses of Fujitsu semiconductor device; Fujitsu does not warrant proper operation of the device with respect to use based on such information. When you develop equipment incorporating the device based on such information, you must assume any responsibility arising out of such use of the information. Fujitsu assumes no liability for any damages whatsoever arising out of the use of the information.

Any information in this document, including descriptions of function and schematic diagrams, shall not be construed as license of the use or exercise of any intellectual property right, such as patent right or copyright, or any other right of Fujitsu or any third party or does Fujitsu warrant non-infringement of any third-party's intellectual property right or other right by using such information. Fujitsu assumes no liability for any infringement of the intellectual property rights or other rights of third parties which would result from the use of information contained herein.

The products described in this document are designed, developed and manufactured as contemplated for general use, including without limitation, ordinary industrial use, general office use, personal use, and household use, but are not designed, developed and manufactured as contemplated (1) for use accompanying fatal risks or dangers that, unless extremely high safety is secured, could have a serious effect to the public, and could lead directly to death, personal injury, severe physical damage or other loss (i.e., nuclear reaction control in nuclear facility, aircraft flight control, air traffic control, mass transport control, medical life support system, missile launch control in weapon system), or (2) for use requiring extremely high reliability (i.e., submersible repeater and artificial satellite).

Please note that Fujitsu will not be liable against you and/or any third party for any claims or damages arising in connection with above-mentioned uses of the products.

Any semiconductor devices have an inherent chance of failure. You must protect against injury, damage or loss from such failures by incorporating safety design measures into your facility and equipment such as redundancy, fire protection, and prevention of over-current levels and other abnormal operating conditions.

If any products described in this document represent goods or technologies subject to certain restrictions on export under the Foreign Exchange and Foreign Trade Law of Japan, the prior authorization by Japanese government will be required for export of those products from Japan.

F0501

© 2005 FUJITSU LIMITED Printed in Japan