

DATA SHEET



P8xCx70 family

Microcontrollers for NTSC TVs with
On-Screen Display (OSD) and
Closed Caption (CC)

Product specification
Supersedes data of 1999 May 17
File under Integrated Circuits, IC20

1999 Jun 11

**Microcontrollers for NTSC TVs with On-Screen
Display (OSD) and Closed Caption (CC)**

P8xCx70 family**CONTENTS**

1	FEATURES
2	GENERAL DESCRIPTION
3	ORDERING INFORMATION
4	BLOCK DIAGRAM
5	PINNING INFORMATION
6	MEMORY ORGANIZATION
7	I/O FACILITY
8	WATCHDOG TIMER (T3)
9	REDUCED POWER MODES
10	I ² C-BUS SERIAL I/O
11	INTERRUPT SYSTEM
12	OSCILLATOR CIRCUITRY
13	RESET
14	PIN FUNCTION SELECTION
15	7-BIT PWM DAC
16	AFT INPUTS (ADC)
17	DATA SLICER AND CC COMMAND INTERPRETER
18	CC/OSD DISPLAY FUNCTION
19	MEMORY DATA BIT ALLOCATION
20	PROGRAMMER
21	LIMITING VALUES
22	DC CHARACTERISTICS
23	AC CHARACTERISTICS
24	APPLICATION INFORMATION
25	RELEASE LETTER OF ERRATA
26	PACKAGE OUTLINE
27	SOLDERING
28	DEFINITIONS
29	LIFE SUPPORT APPLICATIONS
30	PURCHASE OF PHILIPS I ² C COMPONENTS

Microcontrollers for NTSC TVs with On-Screen Display (OSD) and Closed Caption (CC)

P8xCx70 family

1 FEATURES

- Fully static 80C51 CPU
- 64-kbyte programmable ROM
- 1-kbyte RAM
- On-chip 12 MHz crystal oscillator
- Eight 7-bit PWM outputs for analog controls
- Three input 4-bit software Analog-to-Digital Converters (ADC)
- Power-on reset and Watchdog Timer
- 29 I/O lines via individual addressable controls
- Eight port lines (Port 2) with 10 mA LED sink (<1 V) capability
- On-Screen Display (OSD) and Closed Caption (CC) with V-chip function
- Byte-level I²C-bus interface up to 400 kHz
- Three power reduction modes: Standby, Idle and Power-down
- Power supply: 5.0 V \pm 10%
- Operating temperature: -20 to +70 °C
- 52-pin shrink dual in-line package (SDIP52).



2 GENERAL DESCRIPTION

The P8xCx70 family consists of the following devices:

- P83C270
- P83C370
- P83C570
- P83C770
- P87C770.

The term P8xCx70 is used throughout this data sheet to refer to all family members; differences between devices are highlighted in the text.

The P8xCx70 family of microcontrollers are 8-bit, 80C51-based microcontrollers specifically designed for the NTSC TV market. Each device has an On-Screen Display, control functions and Closed Caption that extracts, decodes (software) and displays caption signals from NTSC TV signals. Extended Data Service (XDS) is via the software command interpreter and the V-chip is also implemented.

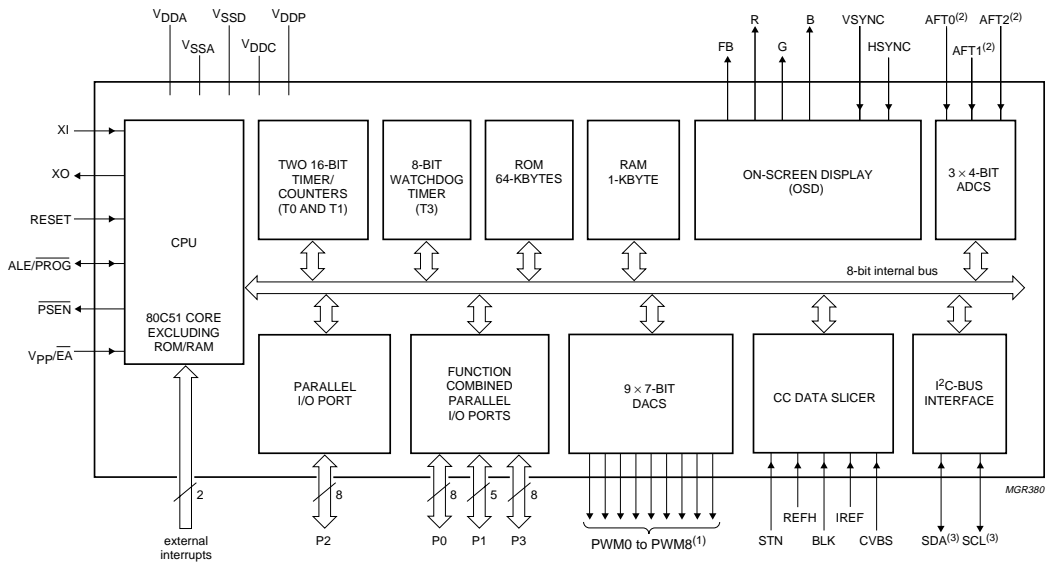
3 ORDERING INFORMATION

TYPE NUMBER	PACKAGE			ROM	RAM
	NAME	DESCRIPTION	VERSION		
P83C270AAR	SDIP52	plastic shrink dual in-line package; 52 leads (600 mil)	SOT247-1	24-kbyte	512-byte
P83C370AAR				32-kbyte	512-byte
P83C570AAR				48-kbyte	1-kbyte
P83C770AAR				64-kbyte	1-kbyte
P87C770AAR				64-kbyte (OTP)	1-kbyte

Microcontrollers for NTSC TVs with On-Screen Display (OSD) and Closed Caption (CC)

P8xCx70 family

4 BLOCK DIAGRAM



- (1) Alternative functions of Port 0 except PWM0 which is an alternative function of Port 1.
- (2) Alternative functions of Port 1.
- (3) Alternative functions of Port 3.

Fig.1 Block diagram.

Microcontrollers for NTSC TVs with On-Screen Display (OSD) and Closed Caption (CC)

P8xCx70 family

5 PINNING INFORMATION

5.1 Pinning

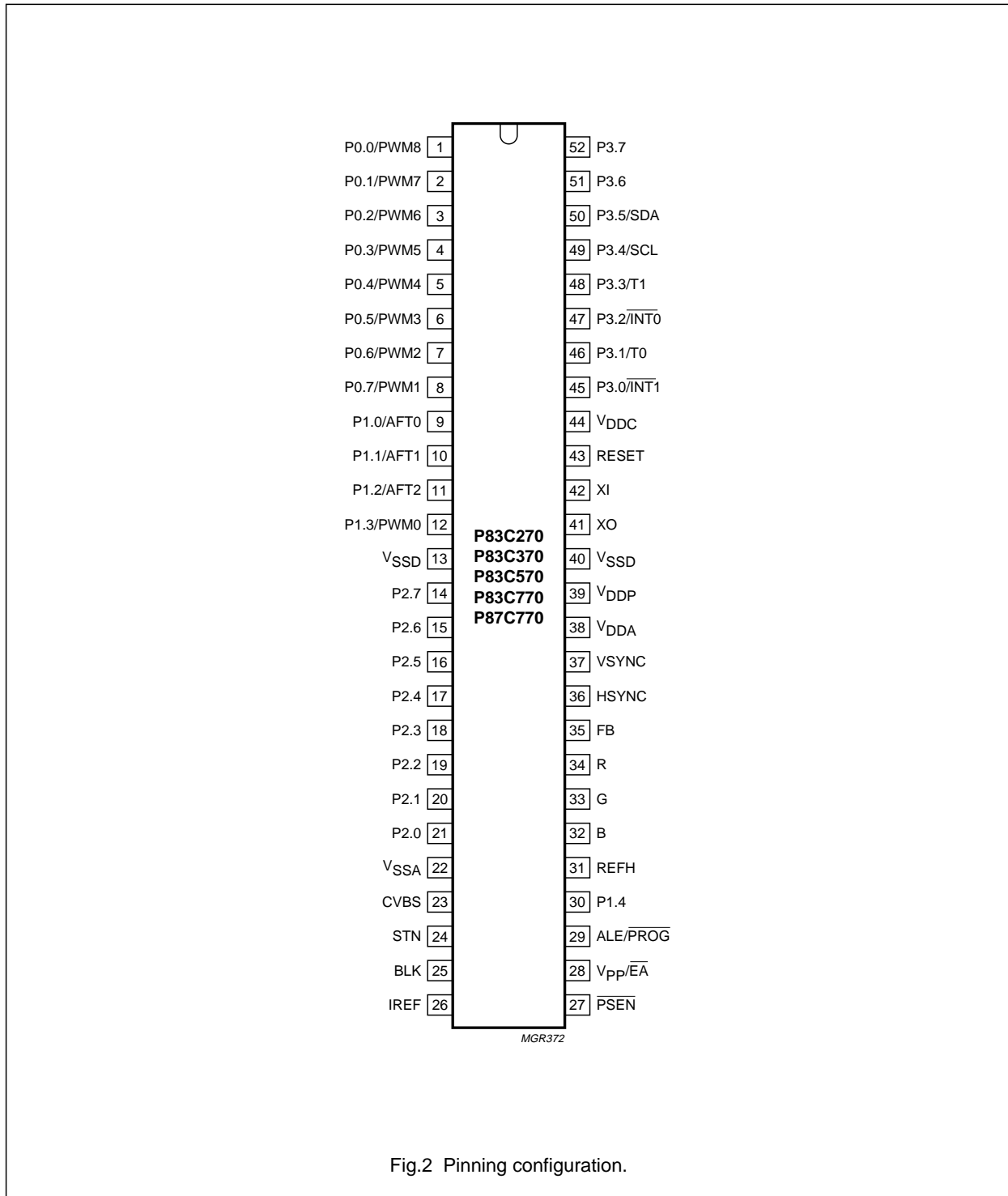


Fig.2 Pinning configuration.

Microcontrollers for NTSC TVs with On-Screen Display (OSD) and Closed Caption (CC)

P8xCx70 family

5.2 Pin description

Table 1 SDIP52 package

SYMBOL	PIN	I/O	DESCRIPTION
P0.0/PWM8 to P0.7/PWM1	1 to 8	I/O	Port 0 lines P0.0 to P0.7 (open-drain, bidirectional); alternative functions 7-bit PWM outputs.
P1.0/AFT0	9	I/O	Port 1 line P1.0; alternative function as 4-bit AFT0 input.
P1.1/AFT1	10	I/O	Port 1 line P1.1; alternative function as 4-bit AFT1 input.
P1.2/AFT2	11	I/O	Port 1 line P1.2; alternative function as 4-bit AFT2 input.
P1.3/PWM0	12	I/O	Port 1 I/O line P1.3 (open-drain, bidirectional); alternative function as 7-bit PWM0 output.
V _{SSD}	13	–	Ground line for digital circuits.
P2.7 to P2.0	14 to 21	I/O	Port 2 lines P2.7 to P2.0 (open-drain, bidirectional).
V _{SSA}	22	–	Ground line for analog circuits.
CVBS	23	I	Composite video input.
STN	24	I	Data Slicer decoupling capacitor input, connect to V _{SSA} via a 100 nF capacitor.
BLK	25	I	CVBS signal black level reference, connect to V _{SSA} via a 100 nF capacitor.
IREF	26	I	CVBS signal reference current input, connect to V _{SSA} via a 27 kΩ resistor.
PSEN	27	O	Program Store Enable (active LOW); bonded out for testing purpose only.
V _{PP} /EA	28	I	External Access (active LOW); bonded out for testing purpose only. This pin is also used for the 12.75 V programming voltage supply in OTP programming modes.
ALE/PROG	29	I/O	Address Latch Enable; bonded out for testing purpose only. This pin is also used for programming pulses input in OTP programming modes.
P1.4	30	I/O	Port 1 line P1.4 (open-drain, bidirectional).
REFH	31	I	Data Slicer reference high capacitor input, connect to V _{SSA} via a 100 nF capacitor.
B	32	O	CC/OSD Blue colour current output.
G	33	O	CC/OSD Green colour current output.
R	34	O	CC/OSD Red colour current output.
FB	35	O	CC/OSD fast blanking output.
HSYNC	36	I	TV horizontal sync input (for OSD synchronization).
VSNC	37	I	TV vertical sync input (for OSD synchronization).
V _{DDA}	38	–	+5 V analog power supply.
V _{DDP}	39	–	+5 V digital power supply for peripherals.
V _{SSD}	40	I	Ground line for digital circuits.
XO	41	O	System oscillator crystal output.
XI	42	I	System oscillator crystal input.
RESET	43	I	Reset input (active HIGH).
V _{DDC}	44	–	+5 V digital power supply for CPU core.
P3.0/INT1	45	I/O	Port 3 line P3.0; alternative function as external interrupt 1 input.
P3.1/T0	46	I/O	Port 3 line P3.1; alternative function as Counter 0 input.
P3.2/INT0	47	I/O	Port 3 line P3.2; alternative function as external interrupt 0 input.
P3.3/T1	48	I/O	Port 3 line P3.3; alternative function as Counter 1 input.

**Microcontrollers for NTSC TVs with On-Screen
Display (OSD) and Closed Caption (CC)**

P8xCx70 family

SYMBOL	PIN	I/O	DESCRIPTION
P3.4/SCL	49	I/O	Port 3 line P3.4 (open-drain, bidirectional); alternative function as I ² C-bus clock line (open-drain).
P3.5/SDA	50	I/O	Port 3 line P3.5 (open-drain, bidirectional); alternative function as I ² C-bus data line (open-drain).
P3.6	51	I/O	Port 3 line P3.6 (open-drain, bidirectional).
P3.7	52	I/O	Port 3 line P3.7 (open-drain, bidirectional).

6 MEMORY ORGANIZATION

The P8xCx70 family offers a choice of different RAM and ROM configurations; see "Ordering information". The device has no external memory capability, consequently the \overline{RD} (read) and \overline{WR} (write) signals are not bonded out. \overline{EA} (External Access), \overline{PSEN} (Program Store Enable) and \overline{ALE} (Address Latch Enable) are bonded out for testing purposes only.

For the complete memory map of the P8xC770 family refer to the 80C51 architecture in "Data Handbook IC20".

6.1 SFR address map summary

The SFRs are presented in ascending address order.

Table 2 SFR address map summary

ADDRESS	REGISTER NAME	7	6	5	4	3	2	1	0
80H ⁽¹⁾	P0 (latch)	P07	P06	P05	P04	P03	P02	P01	P00
81H ⁽¹⁾	Stack Pointer (SP)	SP7	SP6	SP5	SP4	SP3	SP2	SP1	SP0
86H	PWM0 (7-bit PWM)	PWM0E	data6	data5	data4	data3	data2	data1	data0
87H ⁽¹⁾	Power Control Register (PCON)	–	–	–	WLE	GF1	GF0	PD	IDL
88H ⁽¹⁾	Timer/Counter Control Register (TCON)	TF1	TR1	TF0	TR0	IE1	IT1	IE0	IT0
89H ⁽¹⁾	Timer/Counter Mode Control Register (TMOD)	Gate	C/T	M1	M0	Gate	C/T	M1	M0
8AH ⁽¹⁾	Timer 0 Low byte (TL0)	TL07	TL06	TL05	TL04	TL03	TL02	TL01	TL00
8BH ⁽¹⁾	Timer 1 Low byte (TL1)	TL17	TL16	TL15	TL14	TL13	TL12	TL11	TL10
8CH ⁽¹⁾	Timer 0 High byte (TH0)	TH07	TH06	TH05	TH04	TH03	TH02	TH01	TH00
8DH ⁽¹⁾	Timer 1 High byte (TH1)	TH17	TH16	TH15	TH14	TH13	TH12	TH11	TH10
90H ⁽¹⁾	P1 (latch)	P17	P16	P15	P14	P13	P12	P11	P10
92H	Standby Control Register (STBCON)	–	–	–	–	–	–	–	STBY
96H	PWM1 (7-bit PWM)	PWM1E	data6	data5	data4	data3	data2	data1	data0
98H	Interrupt Request Register 1 (IRQ1)	–	RCC	RBUSY	–	–	–	–	–
A0H ⁽¹⁾	P2 (latch)	P27	P26	P25	P24	P23	P22	P21	P20
A6H	PWM2 (7-bit PWM)	PWM2E	data6	data5	data4	data3	data2	data1	data0
A8H ⁽¹⁾	Interrupt Enable Register 0 (IEN0)	EA	–	ES1	–	ET1	EX1	ET0	EX0
B0H ⁽¹⁾	P3 (latch)	P37	P36	P35	P34	P33	P32	P31	P30
B6H	PWM3 (7-bit PWM)	PWM3E	data6	data5	data4	data3	data2	data1	data0
B7H	Slice Line Register (SL)	–	–	–	CS4	CS3	CS2	CS1	CS0
B8H ⁽¹⁾	Interrupt Priority Register 0 (IP0)	–	–	PS1	–	PT1	PX1	PT0	PX0
C6H	PWM4 (7-bit PWM)	PWM4E	data6	data5	data4	data3	data2	data1	data0

Microcontrollers for NTSC TVs with On-Screen
Display (OSD) and Closed Caption (CC)

P8xCx70 family

ADDRESS	REGISTER NAME	7	6	5	4	3	2	1	0
D0H ⁽¹⁾	Program Status Word (PSW)	CY	AC	F0	RS1	RS0	OV	–	P
D6H	PWM5 (7-bit PWM)	PWM5E	data6	data5	data4	data3	data2	data1	data0
D7H	Closed Caption Data 1 (CCData1)	D7	D6	D5	D4	D3	D2	D1	D0
D8H	Serial Control Register (S1CON)	CR2	ENS1	STA	STO	SI	AA	CR1	CR0
D9H ⁽²⁾	Status Register (S1STA)	SC4	SC3	SC2	SC1	SC0	0	0	0
DAH	Data Shift Register (S1DAT)	D7	D6	D5	D4	D3	D2	D1	D0
DBH	Slave Address Register (S1ADR)	SLA6	SLA5	SLA4	SLA3	SLA2	SLA1	SLA0	GC
E0H	Accumulator (ACC)	ACC7	ACC6	ACC5	ACC4	ACC3	ACC2	ACC1	ACC0
E6H	PWM6 (7-bit PWM)	PWM6E	data6	data5	data4	data3	data2	data1	data0
E7H	Closed Caption Data 2 (CCData2)	D7	D6	D5	D4	D3	D2	D1	D0
E8H ⁽¹⁾	Interrupt Enable Register 1 (IEN1)	–	ECC	EBUSY	–	–	–	–	–
EAH	AFT Control Register (AFCON)	–	AFTH1	AFTH0	AFTL3	AFTL2	AFTL1	AFTL0	AFTC
EBH	Busy Interrupt and Watchdog Control Register (BWC)	–	–	–	–	–	–	EW	BUSY
F0H ⁽¹⁾	B Register (B)	B7	B6	B5	B4	B3	B2	B1	B0
F4H	Port 1 Selection Register (P1SEL)	–	–	–	I ² CE	–	AFT2E	AFT1E	AFT0E
F5H	PWM8(7-bit PWM)	PWM8E	data6	data5	data4	data3	data2	data1	data0
F6H	PWM7(7-bit PWM)	PWM7E	data6	data5	data4	data3	data2	data1	data0
F8H	Interrupt Priority Register 1 (IP1)	–	PCC	PBUSY	–	–	–	–	–
FFH	Watchdog Timer Register (WDT)	data7	data6	data5	data4	data3	data2	data1	data0

Notes

- Standard 80C51 registers.
- Read only registers.

Microcontrollers for NTSC TVs with On-Screen Display (OSD) and Closed Caption (CC)

P8xCx70 family

6.2 Display control registers map

The display control registers can only be addressed using MOVX instructions.

Table 3 Display control register map

ADDRESS (HEX)	REGISTER NAME	7	6	5	4	3	2	1	0
87F0	Display Control	SRC3	SRC2	SRC1	SRC0	FLF	MSH	MOD1	MOD0
87F1	Text Vertical Position	VPOL	HPOL	VOL5	VOL4	VOL3	VOL2	VOL1	VOL0
87F2	Text Horizontal Position	HOP1	HOP0	TAS5	TAS4	TAS3	TAS2	TAS1	TAS0
87F3	Fringing Control	FRC3	FRC2	FRC1	FRC0	FRDN	FRDE	FRDS	FRDW
87F4	Text Area End	–	–	TAE5	TAE4	TAE3	TAE2	TAE1	TAE0
87F5	Scroll Area	SSH3	SSH2	SSH1	SSH0	SSP3	SSP2	SSP1	SSP0
87F6	Scroll Range	SPS3	SPS2	SPS1	SPS0	STS3	STS2	STS1	STS0
87F7	RGB Brightness	FBPOL	–	–	–	BRI3	BRI2	BRI1	BRI0
87F8	Status (Read)	BUSY	–	FIELD	SCRL	SCR3	SCR2	SCR1	SCR0
	Status (Write)	–	H/V	SCON	SCRL	–	–	–	–
87FC	HSYNC Delay	–	HSD6	HSD5	HSD4	HSD3	HSD2	HSD1	HSD0
87FD	Odd/Even Align	–	OEA6	OEA5	OEA4	OEA3	OEA2	OEA1	OEA0
87FE	reserved	–	–	–	–	–	–	–	–
87FF	Configuration	CC	PLUS	ADJ	MIN	–	–	–	–

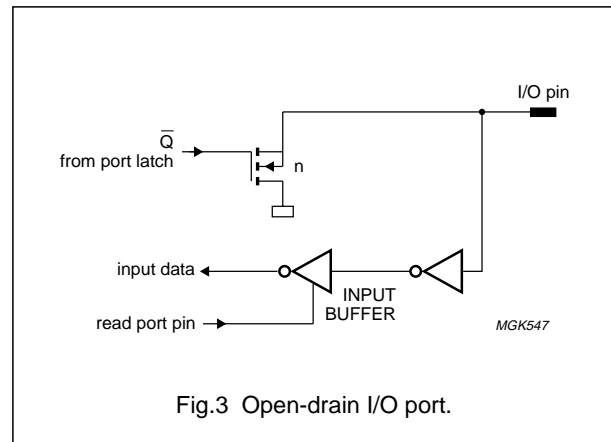
7 I/O FACILITY

7.1 I/O ports

The P8xCx70 has 29 I/O lines treated as 29 individual addressable bits or as 4 parallel 8-bit addressable ports, e.g. Ports 0, 1, 2 and 3, with the exception of Port 1 which has only 5 lines available.

7.2 Port type

All I/O port pins are open-drain, bidirectional and require external pull-up resistors. No port options are available for masking.



Microcontrollers for NTSC TVs with On-Screen Display (OSD) and Closed Caption (CC)

P8xCx70 family

8 WATCHDOG TIMER (T3)

In addition to the standard timers, an 8-bit Watchdog Timer is also incorporated. When a timer overflow occurs, the microcontroller is reset. To prevent a system reset the timer must be reloaded in time by the application software. If the processor suffers a hardware/software malfunction, the software will fail to reload the timer. This failure will result in a reset upon overflow thus preventing the processor running out of control.

The timer is incremented every 2 ms. The timer interval between the timer reloading and the occurrence of a reset depends on the reloaded value. This may range from 2 to 512 ms according to the following formula:

$$T_{\text{timer}} = (256 - T3 \text{ value}) \times 2 \text{ ms}$$

The Watchdog Timer can only be reloaded if the condition flag WLE in SFR PCON has been previously set HIGH by software. At the moment the counter is loaded WLE is automatically cleared.

The Watchdog Timer is controlled by the EW bit in SFR BWC (see Section 11.5). If EW = 1, the Watchdog Timer is enabled and the Power-down mode disabled. If EW = 0, the Watchdog Timer is disabled and the Power-down mode enabled.

In the Idle mode the Watchdog Timer and reset circuitry remain active.

8.1 Watchdog Timer Register (WDT)

Table 4 Watchdog Timer Register (SFR address FFH)

7	6	5	4	3	2	1	0
D7	D6	D5	D4	D3	D2	D1	D0

Table 5 Description of the T3 bits

BIT	SYMBOL	DESCRIPTION
7 to 0	D7 to D0	Watchdog Timer reload value. These 8 bits determine the timer interval. If WDT holds FFH the timer interval is 2 ms. If WDT holds 00H the timer interval is 512 ms.

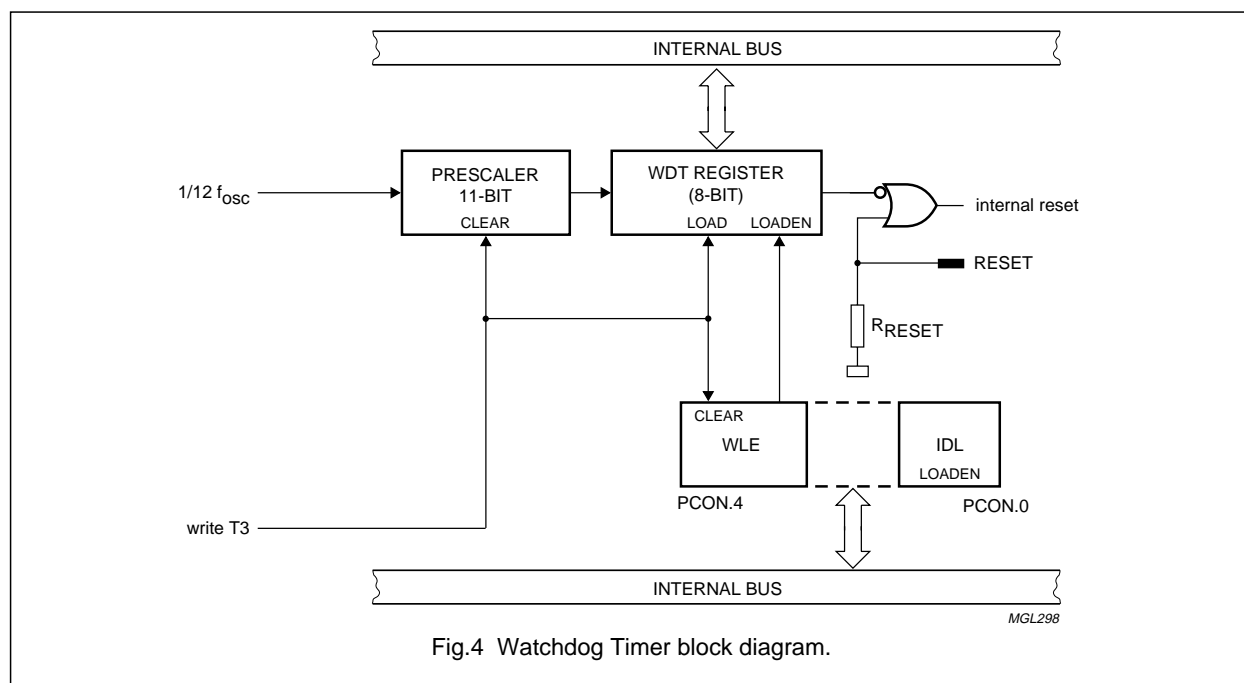


Fig.4 Watchdog Timer block diagram.

Microcontrollers for NTSC TVs with On-Screen Display (OSD) and Closed Caption (CC)

P8xCx70 family

9 REDUCED POWER MODES

In order to reduce power consumption three reduced power modes are available: Standby, Idle and Power-down.

9.1 Standby mode

In Standby mode full CPU functionality is available but all analog functions (including the OSD) are disabled. Power-on reset and the oscillator remain active. The following also remain active during Standby mode.

- CPU
- External interrupts $\overline{\text{INT0}}$ and $\overline{\text{INT1}}$
- T0, T1 and T3
- I²C-bus interface
- PWM outputs.

The Standby mode is entered by setting the STBY bit in the STBCON register to a logic 1. Recovering from the Standby mode is achieved by setting the STBY bit back to a logic 0. After entering the normal mode a waiting time of 10 μs has to be taken into account in order to allow the analog circuitry to stabilize.

9.2 Idle mode

Idle mode operation permits all functions to continue to work with the exception that the CPU clock is halted. The following functions remain active during Idle mode:

- T0, T1 and T3 (Watchdog Timer)
- I²C-bus
- External interrupts.

9.2.1 ENTERING IDLE MODE

The instruction that sets the IDL bit in the PCON register is the last instruction executed before entering Idle mode. Once in the Idle mode the system oscillator keeps running but the internal clock is gated away from the CPU, but not gated away from the interrupts, timers and serial port functions. The CPU status is preserved along with the Stack Pointer, Program Counter, Program Status Word and Accumulator. The RAM and all other registers maintain their data during Idle mode. The port pins retain the logical states they were holding at Idle mode activation.

9.2.2 RECOVERING FROM IDLE MODE

There are two methods used to terminate the Idle mode. Assertion of any enabled interrupt will cause the IDL bit to be cleared by hardware, thus terminating the Idle mode. The interrupt is serviced, and following the instruction

RETI, the next instruction to be executed will be the one following the instruction that put the device into the Idle mode.

Flag bits GF0 and GF1 may be used to determine whether the interrupt was received during normal execution or during Idle mode. For example, the instruction that writes to the IDL bit can also set or clear one or both flag bits. When Idle mode is terminated by an interrupt, the service routine can examine the status of the flag bits.

The second method of terminating the Idle mode is with an external hardware reset. Since the oscillator is still running, the hardware reset is required to be active for only two machine cycles to complete the reset operation. Reset redefines all SFRs, but does not affect the on-chip RAM.

9.3 Power-down mode

The Power-down operation freezes the oscillator and all on-chip operations stop. The Power-down mode can only be entered if the EW bit in SFR BWC is LOW; then the Power-down mode is entered by setting the PD bit in the PCON register to a logic 1.

The instruction which sets the PD bit in PCON is the last instruction executed prior to going into the Power-down mode. The contents of the on-chip RAM and SFRs are preserved. The port pins output the values held by their respective SFRs.

In the Power-down mode V_{DD} may be reduced to minimize power consumption. However, the supply voltage must not be reduced until Power-down mode is active, and must be restored before the hardware reset is applied and frees the oscillator. An on-chip delay counter will count 2048 system oscillator cycles before enabling the internal clock.

9.3.1 WAKE-UP FROM POWER-DOWN USING EXTERNAL INTERRUPTS

If either of the external interrupts $\overline{\text{INT0}}$ and $\overline{\text{INT1}}$ is switched to level-sensitive and enabled then the interrupt can be used to wake-up the P8xCx70 from the Power-down mode. To ensure that the oscillator is stable before the controller restarts, the internal clock will remain inactive for 2048 system oscillator cycles.

9.3.2 WAKE-UP FROM POWER-DOWN USING RESET

The Power-down mode can be terminated by holding the RESET pin HIGH for two machine cycles, this clears the PD bit. The on-chip delay counter will count 2048 system oscillator cycles before enabling the internal clock.

Microcontrollers for NTSC TVs with On-Screen Display (OSD) and Closed Caption (CC)

P8xCx70 family

9.4 Control registers

9.4.1 STANDBY CONTROL REGISTER (STBCON)

Table 6 Standby Control Register (SFR address 92H)

7	6	5	4	3	2	1	0
–	–	–	–	–	–	–	STBY

Table 7 Description of STBCON bits

BIT	SYMBOL	DESCRIPTION
7 to 1	–	These 7-bits are reserved.
0	STBY	Standby mode selection. When STBY = 1, the device enters Standby mode.

9.4.2 POWER CONTROL REGISTER (PCON)

Idle and Power-down modes are activated by software via the Special Function Register PCON.

Table 8 Power Control Register (SFR address 87H)

7	6	5	4	3	2	1	0
–	–	–	WLE	GF1	GF0	PD	IDL

Table 9 Description of PCON bits

BIT	SYMBOL	DESCRIPTION
7 to 5	–	These 3 bits are reserved.
4	WLE	Watchdog Load Enable. If WLE = 1, the Watchdog Timer can be loaded. If WLE = 0, the Watchdog Timer cannot be loaded.
3	GF1	General purpose flag 1.
2	GF0	General purpose flag 0.
1	PD	Power-down mode selection. If PD = 1, the Power-down mode is entered (provided that the EW bit in SFR BWC is LOW).
0	IDL	Idle mode selection. If IDL = 1, the Idle mode is entered. If IDL = 0, the Idle mode is inhibited, i.e. normal operation.

Microcontrollers for NTSC TVs with On-Screen Display (OSD) and Closed Caption (CC)

P8xCx70 family

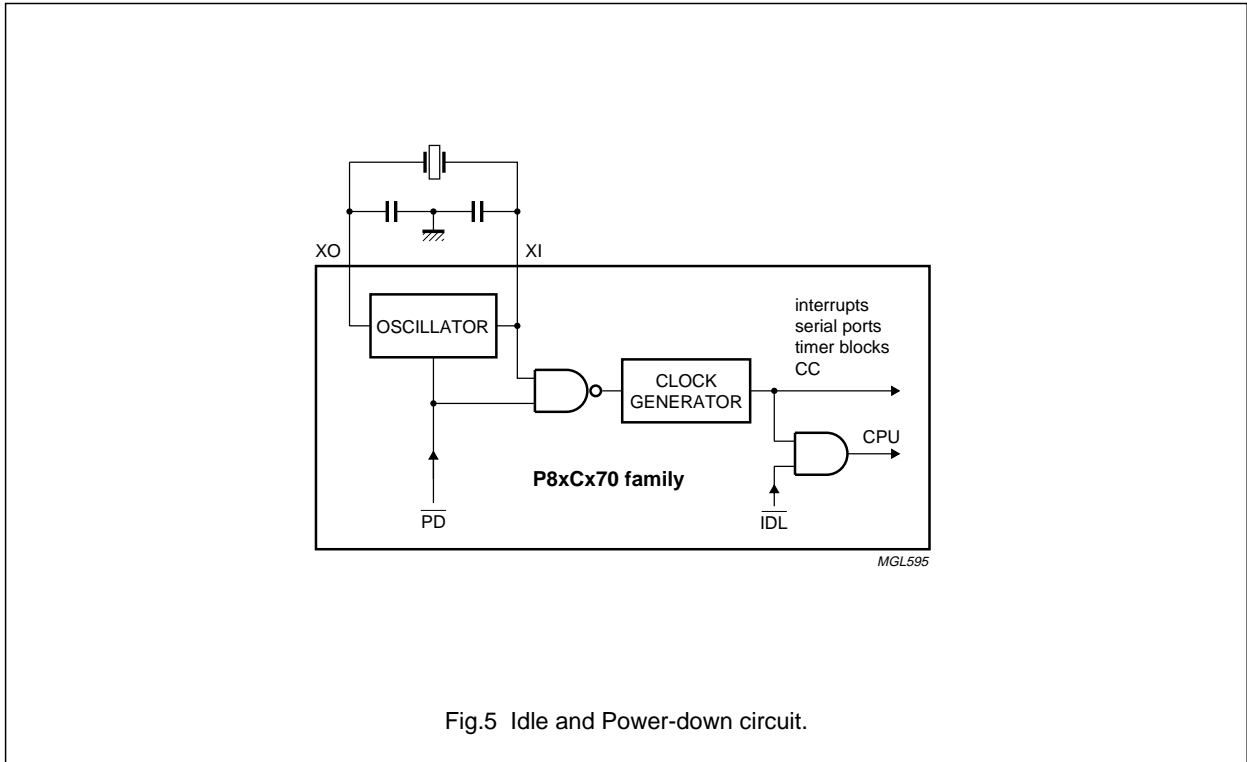


Fig.5 Idle and Power-down circuit.

Microcontrollers for NTSC TVs with On-Screen Display (OSD) and Closed Caption (CC)

P8xCx70 family

10 I²C-BUS SERIAL I/O

10.1 The I²C-bus

This serial port supports the twin line I²C-bus. The I²C-bus consists of a serial data line (SDA) and a serial clock line (SCL). These lines also function as I/O port lines P3.5 and P3.4 respectively.

The system is unique because data transport, clock generation, address recognition and bus control arbitration are all controlled by hardware.

Full details of the I²C-bus are given in the document "The I²C-bus and how to use it". This document may be ordered using the code 9398 393 40011.

10.2 Operation modes

The I²C-bus serial I/O has complete autonomy in byte handling and operates in four modes.

- Master transmitter
- Master receiver
- Slave transmitter
- Slave receiver.

These functions are controlled by the S1CON register. S1STA is the Status Register whose contents may also be used as a vector to various service routines. S1DAT is the Data Shift Register and S1ADR the Slave Address Register. Slave address recognition is performed by hardware.

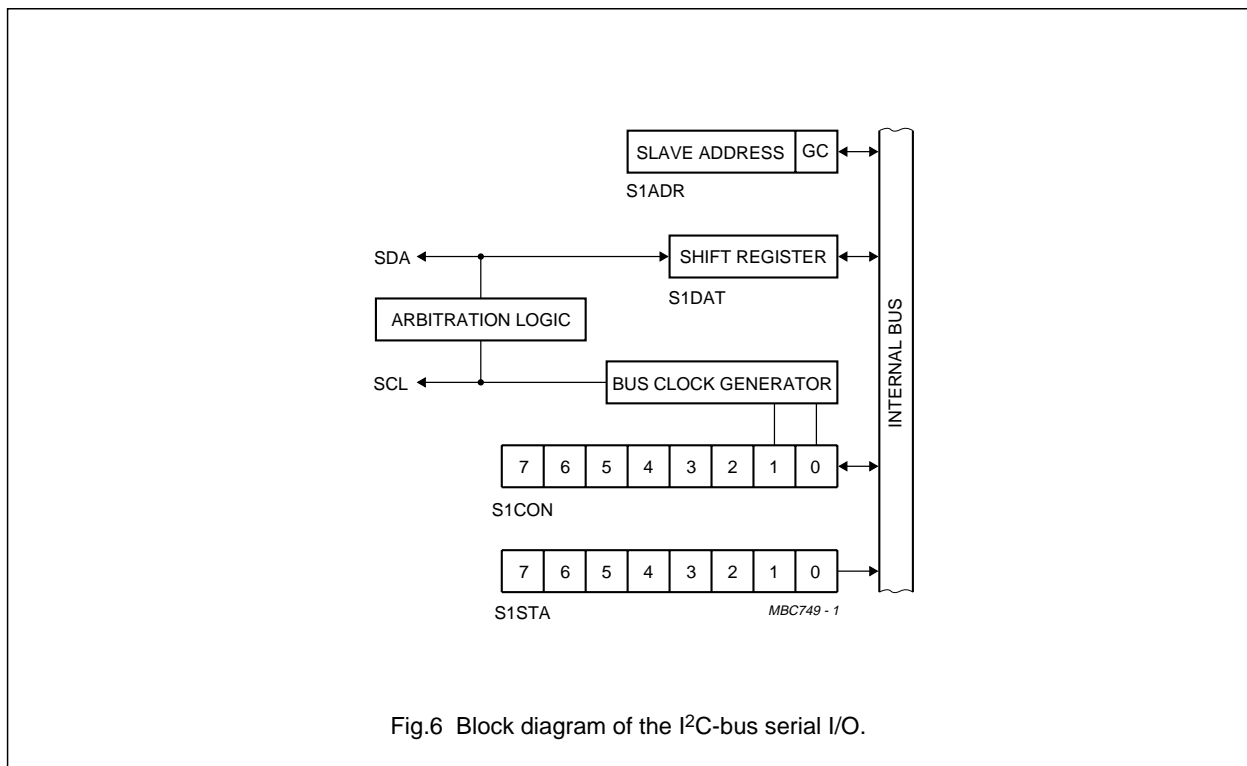


Fig.6 Block diagram of the I²C-bus serial I/O.

Microcontrollers for NTSC TVs with On-Screen Display (OSD) and Closed Caption (CC)

P8xCx70 family

10.3 Serial Control Register (S1CON)

Table 10 Serial Control Register (SFR address D8H)

7	6	5	4	3	2	1	0
CR2	ENS1	STA	STO	SI	AA	CR1	CR0

Table 11 Description of S1CON bits

BIT	SYMBOL	DESCRIPTION
6	ENS1	Enable Serial I/O. When ENS1 = 0, the SIO is disabled and reset. The SDA and SCL outputs are in a high-impedance state; P3.4 and P3.5 function as open-drain ports. When ENS1 = 1, the SIO is enabled. The P3.4 and P3.5 port latches must be set to logic 1.
5	STA	START flag. When the STA bit is set in Slave mode, the SIO hardware checks the status of the I ² C-bus and generates a START condition if the bus is free. If STA is set while the SIO is in Master mode, SIO transmits a repeated START condition.
4	STO	STOP flag. With this bit set while in Master mode a STOP condition is generated. When a STOP condition is detected on the bus, the SIO hardware clears the STO flag. In the Slave mode, the STO flag may also be set to recover from an error condition. In this case, no STOP condition is transmitted to the I ² C-bus interface. However, the SIO hardware behaves as if a STOP condition has been received and releases SDA and SCL. The SIO then switches to the 'not addressed' slave receiver mode. The STO flag is automatically cleared by hardware.
3	SI	SIO interrupt flag. When the SI flag is set, an acknowledge is returned after any one of the following conditions: <ul style="list-style-type: none"> • A START condition is generated in Master mode • Own slave address received during AA = 1 • General call address received while S1ADR.0 = 1 and AA = 1 • Data byte received or transmitted in Master mode (even if arbitration is lost) • Data byte received or transmitted as selected slave • STOP or START condition received as selected slave receiver or transmitter.
2	AA	Assert Acknowledge. When the AA flag is set, an acknowledge (LOW level to SDA) will be returned during the acknowledge clock pulse on the SCL line when: <ul style="list-style-type: none"> • Own slave address is received • General call address is received (S1ADR.0 = 1) • Data byte received while device is programmed as a Master receiver • Data byte received while device is a selected Slave receiver. With AA = 0, no acknowledge will be returned. Consequently, no interrupt is requested when the 'own slave address' or general call address is received.
7	CR2	Clock Rate selection. These three bits determine the serial clock frequency when SIO is in Master mode; see Table 12. The maximum I ² C-bus frequency is 400 kHz.
1	CR1	
0	CR0	

Microcontrollers for NTSC TVs with On-Screen Display (OSD) and Closed Caption (CC)

P8xCx70 family

Table 12 Selection of SCL frequency in Master mode

CR2	CR1	CR0	f_{osc} DIVISOR	BIT RATE (kHz) at $f_{osc} = 12$ MHz
0	0	0	60	200
0	0	1	1600	7.5
0	1	0	40	300
0	1	1	30	400
1	0	0	240	50
1	0	1	3200	3.75
1	1	0	160	75
1	1	1	120	100

10.4 Status Register (S1STA)

S1STA is an 8-bit read-only Special Function Register. The contents of S1STA may be used as a vector to a service routine. This optimizes response time of the software and consequently that of the I²C-bus. The status codes for all possible modes of the I²C-bus interface are given in Table 16. The abbreviations used in Table 16 are defined in Table 15.

Table 13 Status Register (SFR address D9H)

7	6	5	4	3	2	1	0
SC4	SC3	SC2	SC1	SC0	0	0	0

Table 14 Description of S1STA bits

BIT	SYMBOL	DESCRIPTION
7 to 3	SC4 to SC0	5-bit status code; see Table 16.
2 to 0	–	These 3 bits are held LOW.

Table 15 Abbreviations used in Table 16

SYMBOL	DESCRIPTION
SLA	7-bit slave address
R	read bit
W	write bit
ACK	acknowledgment (Acknowledge bit = 0)
$\bar{A}CK$	not acknowledge (Acknowledge bit = 1)
DATA	8-bit byte to or from the I ² C-bus
MST	master
SLV	slave
TRX	transmitter
REC	receiver

Microcontrollers for NTSC TVs with On-Screen Display (OSD) and Closed Caption (CC)

P8xCx70 family

Table 16 Status codes

S1STA VALUE	DESCRIPTION
MST/TRX mode	
08H	a START condition has been transmitted
10H	a repeated START condition has been transmitted
18H	SLA and W have been transmitted; ACK received
20H	SLA and W have been transmitted; $\overline{\text{ACK}}$ received
28H	DATA of S1DAT has been transmitted; ACK received
30H	DATA of S1DAT has been transmitted; $\overline{\text{ACK}}$ received
38H	arbitration lost in SLA, R/W or DATA
MST/REC mode	
38H	arbitration lost while returning $\overline{\text{ACK}}$
40H	SLA and R have been transmitted; ACK received
48H	SLA and R have been transmitted; $\overline{\text{ACK}}$ received
50H	DATA has been received; ACK returned
58H	DATA has been received; $\overline{\text{ACK}}$ returned
SLV/REC mode	
60H	own SLA and W have been received; ACK returned
68H	arbitration lost in SLA, R/W as MST; own SLA and W have been received; $\overline{\text{ACK}}$ returned
70H	general CALL has been received; ACK returned
78H	arbitration lost in SLA, R/W as MST; general CALL has been received
80H	previously addressed with own SLA; DATA byte received; ACK returned
88H	previously addressed with own SLA; DATA byte received; $\overline{\text{ACK}}$ returned
90H	previously addressed with general CALL; DATA byte has been received; ACK returned
98H	previously addressed with general CALL; DATA byte has been received; $\overline{\text{ACK}}$ returned
A0H	a STOP condition or repeated START condition has been received while still addressed as SLV/REC or SLV/TRX
SLV/TRX mode	
A8H	own SLA and R have been received. ACK returned
B0H	arbitration lost in SLA, R/W as MST; own SLA and R have been received; ACK returned
B8H	DATA byte has been transmitted; ACK received
C0H	DATA byte has been transmitted; $\overline{\text{ACK}}$ received
C8H	last DATA byte has been transmitted (AA = logic 0) ACK received
Miscellaneous	
00H	bus error during MST mode or SLV mode, due to an erroneous START or STOP condition

Microcontrollers for NTSC TVs with On-Screen Display (OSD) and Closed Caption (CC)

P8xCx70 family

10.5 Data Shift Register (S1DAT)

This register contains the serial data to be transmitted or data has just been received. Bit 7 is transmitted or received first.

Table 17 Data Shift Register (DAH)

7	6	5	4	3	2	1	0
D7	D6	D5	D4	D3	D2	D1	D0

10.6 Slave Address Register (S1ADR)

This 8-bit register may be loaded with the 7-bit slave address to which the controller will respond when programmed as slave receiver/transmitter. The LSB bit (GC) is used to determine whether the general CALL address is recognized.

Table 18 Slave Address Register (SFR address DBH)

7	6	5	4	3	2	1	0
SLA6	SLA5	SLA4	SLA3	SLA2	SLA1	SLA0	GC

Table 19 Description of S1ADR bits

BIT	SYMBOL	DESCRIPTION
7 to 1	SLA<6-0>	own slave address
0	GC	If GC = 0, the general CALL address is not recognized. If GC = 1, the general CALL address is recognized.

Microcontrollers for NTSC TVs with On-Screen Display (OSD) and Closed Caption (CC)

P8xCx70 family

11 INTERRUPT SYSTEM

The P8xCx70 has seven interrupt sources, each of which can be assigned one of two priority levels as shown in Fig.7. The four interrupt sources common to the 80C51 are the external interrupts ($\overline{\text{INT0}}$ and $\overline{\text{INT1}}$) and the Timer 0 and Timer 1 interrupts. The SIO1 (I²C-bus) interrupt is generated by the S1 flag in the Serial Control Register (S1CON). This flag is set when SFR S1STA is loaded with a valid status code. The CC interrupt is generated by the RCC flag in SFR IRQ1; this flag is set at the end of the selected CVBS slice line. The $\overline{\text{BUSY}}$ interrupt is generated by the RBUSY flag which also resides in SFR IRQ1 and is set by the OSD.

11.1 How interrupts are handled

The interrupt flags are sampled at S5P2 of every machine cycle. The samples are polled during the following machine cycle. If one of the flags was in a set condition at S5P2 of the preceding cycle, the polling cycle will find it and the interrupt system will generate a LCALL to the appropriate service routine, provided that LCALL is not blocked by any of the following conditions:

1. An interrupt of equal priority or higher priority level is already in progress.
2. The current machine cycle is not the final cycle in the execution of the instruction in progress (no interrupt request will be serviced until the instruction in progress is completed).
3. The instruction in progress is RETI or any access to the interrupt priority or interrupt enable registers (no interrupt will be serviced after RETI or after a read or write to IP0, IP1, IEN0 or IEN1 until at least one other instruction has been subsequently executed).

The polling cycle is repeated with each machine cycle, and the values polled are the values that were present at S5P2 of the previous machine cycle. Note that if an interrupt flag is active but not being responded to for one of the above mentioned conditions, if the flag is still inactive when the blocking condition is removed, the denied interrupt will not be serviced. In other words, the fact that the interrupt flag was once active but not serviced is not remembered. Every polling cycle is new.

Note that if an interrupt of higher priority level becomes active prior to S5P2 of the machine cycle labelled C3, then in accordance with the rules it will be vectored to during C5 and C6, without any instruction of the lower priority routine having been executed. Thus the processor acknowledges an interrupt request by executing a hardware generated LCALL to the appropriate servicing routine. The hardware generated LCALL pushes the contents of the Program Counter on to the stack (but does not save the PSW) and reloads the PC with an address that depends on the source of the interrupt; see Table 20.

Execution proceeds from that location until the RETI instruction is encountered. The RETI instruction informs the processor that the interrupt routine is no longer in progress, then pops the top two bytes from the stack and reloads the Program Counter. Execution of the interrupted program continues from where it left off.

Note that a simple RET instruction would also return execution to the interrupted program, but it would have left the interrupt control system thinking an interrupt was still in progress, making future interrupts impossible.

Table 20 Interrupt vectors

SOURCE	VECTOR ADDRESS
$\overline{\text{INT0}}$	0003H
I ² C-bus	002BH
Timer 0	000BH
$\overline{\text{INT1}}$	0013H
BUSY	0063H
Timer 1	001BH
CC	006BH

Additional details on the interrupt operation are given in "Data Handbook IC20, 80C51-Based 8-bit Microcontrollers".

Microcontrollers for NTSC TVs with On-Screen Display (OSD) and Closed Caption (CC)

P8xCx70 family

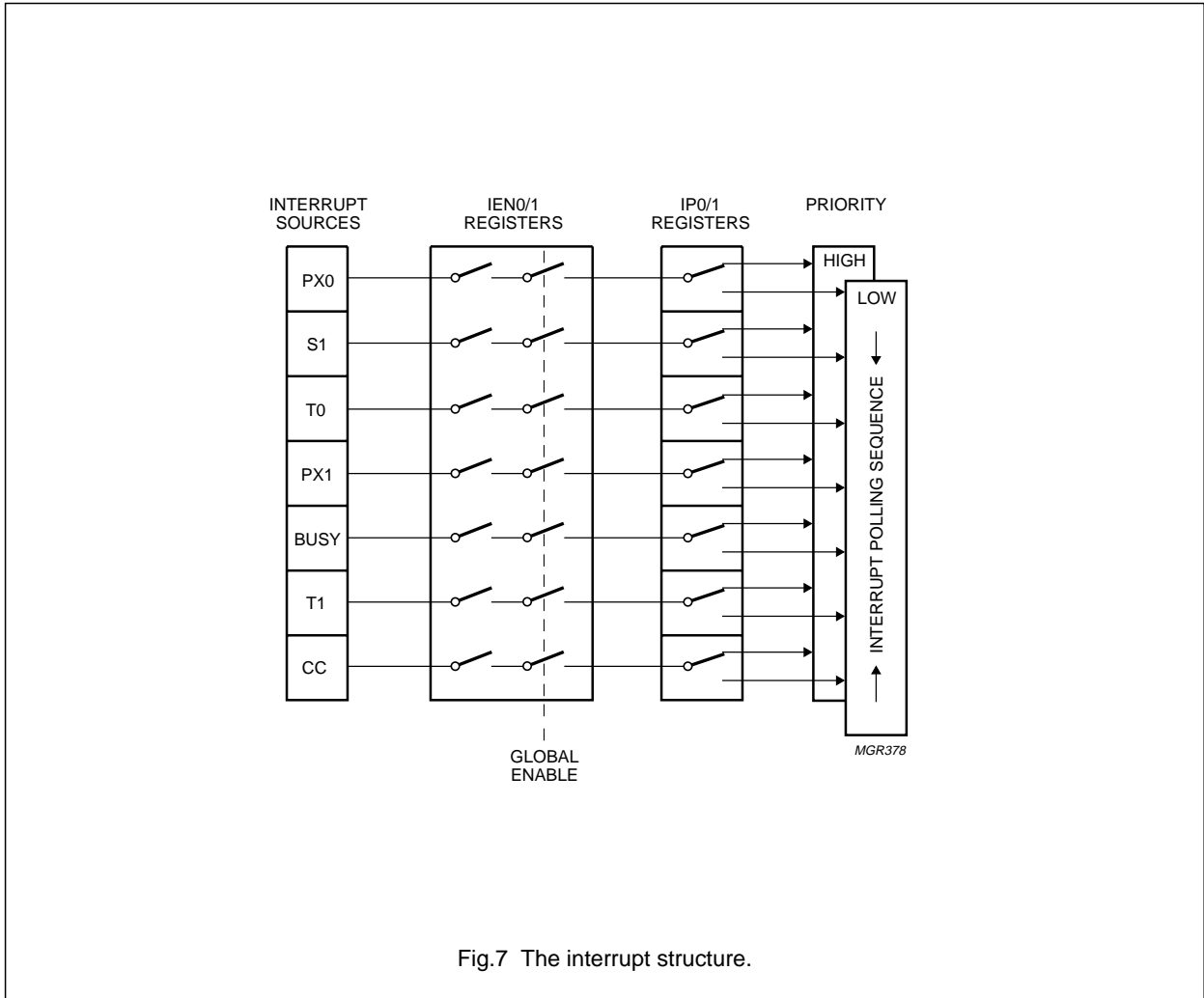


Fig.7 The interrupt structure.

Microcontrollers for NTSC TVs with On-Screen Display (OSD) and Closed Caption (CC)

P8xCx70 family

11.2 Interrupt enable structure

Each interrupt source can be individually enabled or disabled by setting or clearing its associated bit in the Interrupt Enable Registers (IEN0 and IEN1). All interrupt sources can also be globally disabled by clearing the EA bit in SFR IEN0. The Interrupt Enable Registers are described in Sections 11.2.1 and 11.2.2.

11.2.1 INTERRUPT ENABLE REGISTER 0 (IEN0)

Table 21 Interrupt Enable Register 0 (SFR address A8H)

7	6	5	4	3	2	1	0
EA	–	ES1	–	ET1	EX1	ET0	EX0

Table 22 Description of the IEN0 bits

BIT	SYMBOL	DESCRIPTION
7	EA	General enable/disable control. When EA = 0, no interrupt is enabled. When EA = 1, any individually enabled interrupt will be accepted.
6	–	This bit is not used; program to a logic 0 for future compatibility reasons.
5	ES1	Enable I ² C-bus SIO interrupt.
4	–	This bit is not used; program to a logic 0 for future compatibility reasons.
3	ET1	Enable Timer 1 interrupt.
2	EX1	Enable external interrupt 1.
1	ET0	Enable Timer 0 interrupt.
0	EX0	Enable external interrupt 0.

11.2.2 INTERRUPT ENABLE REGISTER 1 (IEN1)

Table 23 Interrupt Enable Register 1 (SFR address E8H)

7	6	5	4	3	2	1	0
–	ECC	EBUSY	–	–	–	–	–

Table 24 Description of the IEN1 bits

BIT	SYMBOL	DESCRIPTION
7	–	This bit is not used; program to a logic 0 for future compatibility reasons.
6	ECC	Enable external interrupt 8 (CC data ready).
5	EBUSY	Enable external interrupt 7 ($\overline{\text{BUSY}}$ interrupt).
4 to 0	–	These 5 bits are not used; program to logic 0s for future compatibility reasons.

Microcontrollers for NTSC TVs with On-Screen Display (OSD) and Closed Caption (CC)

P8xCx70 family

11.3 Interrupt priority structure

Each interrupt source can be assigned one of two priority levels. Interrupt priority levels are defined by the Interrupt Priority Registers (IP0 and IP1). These registers are described in Sections 11.3.1 and 11.3.2.

A low priority interrupt may be interrupted by a high priority interrupt level interrupt. A high priority interrupt routine cannot be interrupted by any other interrupt source. If two interrupts of different priority occur simultaneously, the high priority level request is serviced. If requests of the same priority are received simultaneously, an internal polling sequence determines which request is serviced. Thus, within each priority level, there is a second priority structure determined by the polling sequence. This second priority structure is shown in Table 25.

Table 25 Interrupt priority

SOURCE	PRIORITY WITHIN LEVEL ⁽¹⁾
$\overline{\text{INT0}}$	highest
I ² C-bus	↓
Timer 0	↓
$\overline{\text{INT1}}$	↓
$\overline{\text{BUSY}}$	↓
Timer 1	↓
CC	lowest

Note

1. The 'priority within level' structure is only used to resolve simultaneous requests of the same priority level.

11.3.1 INTERRUPT PRIORITY REGISTER 0 (IP0)

Table 26 Interrupt Priority Register 0 (SFR address B8H)

7	6	5	4	3	2	1	0
–	–	PS1	–	PT1	PX1	PT0	PX0

Table 27 Description of IP0 bits

BIT ⁽¹⁾	SYMBOL	DESCRIPTION
7 to 6	–	This bit is not used, program to a logic 0 for future compatibility reasons.
5	PS1	I ² C-bus SIO interrupt priority level.
4	–	This bit is not used, program to a logic 0 for future compatibility reasons.
3	PT1	Timer 1 interrupt priority level.
2	PX1	External interrupt 1 priority level.
1	PT0	Timer 0 interrupt priority level.
0	PX0	External interrupt 0 priority level.

Note

1. Where: logic 0 = low priority; logic 1 = high priority.

Microcontrollers for NTSC TVs with On-Screen Display (OSD) and Closed Caption (CC)

P8xCx70 family

11.3.2 INTERRUPT PRIORITY REGISTER 1 (IP1)

Table 28 Interrupt Priority Register 1 (SFR address F8H)

7	6	5	4	3	2	1	0
–	PCC	PBUSY	–	–	–	–	–

Table 29 Description of the IP1 bits

BIT	SYMBOL	DESCRIPTION
7	–	This bit is not used, program to a logic 0 for future compatibility reasons.
6	PCC	CC interrupt priority level, fixed to a logic 1.
5	PBUSY	$\overline{\text{BUSY}}$ interrupt 7 priority level, fixed to a logic 1.
4 to 0	–	These 5 bits are not used, program to logic 0s for future compatibility reasons.

11.4 Interrupt Request Register 1 (IRQ1)

An interrupt request from the Closed Caption Data Slicer or from the OSD will be flagged by setting the related bit in the Interrupt Request Register 1 to a logic 1. These bits must be reset to logic 0s by software.

Table 30 Interrupt Request Register 1 (SFR address 98H)

7	6	5	4	3	2	1	0
–	RCC	RBUSY	–	–	–	–	–

Table 31 Description of IRQ1 bits

BIT	SYMBOL	DESCRIPTION
7	–	This bit is not used, program to a logic 0 for future compatibility reasons.
6	RCC	Request for CC interrupt, active HIGH.
5	RBUSY	Request for $\overline{\text{BUSY}}$ interrupt, active HIGH.
4 to 0	–	These 5 bits are not used, program to logic 0s for future compatibility reasons.

Microcontrollers for NTSC TVs with On-Screen Display (OSD) and Closed Caption (CC)

P8xCx70 family

11.5 Busy interrupt and Watchdog Timer control

11.5.1 BUSY INTERRUPT AND WATCHDOG CONTROL REGISTER (BWC)

The BUSY signal can generate an interrupt (PX7) to the CPU if enabled by IEN1.5, the vector address is 0063H. This register is used to enable/disable the BUSY interrupt and the Watchdog Timer.

Table 32 BUSY interrupt and Watchdog Control Register (SFR address EBH)

7	6	5	4	3	2	1	0
–	–	–	–	–	–	EW	BUSY

Table 33 Description of the BWC bits

BIT	SYMBOL	DESCRIPTION
7 to 2	–	These 6 bits are not used.
1	EW	Enable Watchdog Timer. If EW = 0, then the Watchdog Timer is disabled. If EW = 1, then the Watchdog Timer is enabled and the Power-down mode is disabled.
0	BUSY	When BUSY = 0, an active external interrupt will generate an interrupt to the CPU. When BUSY = 1, external interrupts are disabled. It is not recommended to update the display RAM when the BUSY signal is active (LOW), due to the effect it may have on the OSD display. The display RAM can be updated when the BUSY signal is inactive.

11.5.2 INTERRUPT REQUEST (RBUSY)

RBUSY is bit 5 of the SFR IRQ1 (address 98H). A falling edge of the active BUSY signal generates a pending interrupt to the CPU and forces the RBUSY bit HIGH. In the service routine, this bit should be cleared before returning to the main routine. As long as RBUSY is HIGH, a pending interrupt is always present. Each time BUSY is activated by a falling edge, the RBUSY is set HIGH. If the interrupt is not served by the next falling BUSY edge, then RBUSY is written to HIGH again and no error of overrun is indicated.

Microcontrollers for NTSC TVs with On-Screen Display (OSD) and Closed Caption (CC)

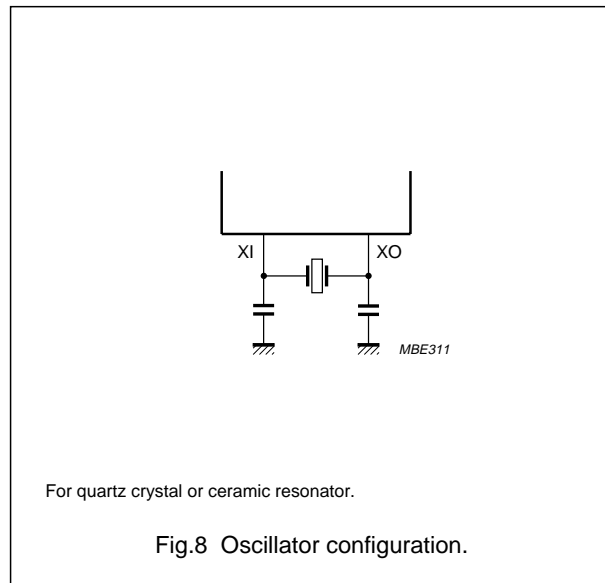
P8xCx70 family

12 OSCILLATOR CIRCUITRY

The on-chip oscillator circuitry of the P8xCx70 is a single-stage inverting amplifier biased by an internal feedback resistor. For operation as a standard quartz oscillator or when using an external ceramic resonator, external components are needed and should be connected as shown in Fig.8.

In the Power-down mode the oscillator is stopped and both XI and XO are pulled HIGH. The inverting amplifier and feedback resistor are both switched off to ensure no current will flow regardless of the voltages at XI and XO. To drive the device with an external clock source, apply the external clock signal to XI, and leave XO to float. There is no requirement on the duty cycle of the external clock, because the external clock is divided-by-two using a flip-flop before feeding the internal clocking circuitry.

The operating frequency of crystal oscillator is fixed at 12 MHz.



13 RESET

There are three ways to invoke a reset and initialize the P8xCx70:

- Via the external RESET pin
- Via the on-chip Power-on reset circuitry
- Via a Watchdog Timer overflow.

The reset mechanism is illustrated in Fig.9. Each reset source will cause the internal reset signal POC to become active. The CPU responds by executing an internal reset putting the internal registers into a defined state as detailed in Table 34.

13.1 External reset

The reset pin RESET is connected to a Schmitt trigger for noise reduction (see Fig.9). A reset is accomplished by holding the RESET pin HIGH for at least 2 machine cycles (24 system clocks), while the oscillator is running.

If the RESET pin is connected to V_{DD} via a capacitor as shown in Fig.9, an automatic reset can be obtained by switching on V_{DD} . The V_{DD} rise time must not exceed 10 ms and the capacitor should be at least 10 μF . The decrease of the RESET pin voltage depends on the capacitor and the internal resistor R_{RESET} . The voltage must remain above the lower threshold level for a minimum period determined by the oscillator start-up time plus 2 machine cycles. For the P8xCx70 an external capacitor value of 10 μF is needed.

13.2 Power-on reset

An on-chip Power-on reset circuit detects supply voltage variations and generates a Power-on reset pulse accordingly; see Fig.10.

In the case of supply voltage ramp-up, the power-on reset signal follows the ramp-up of the supply voltage. When the trip level (V_t) is reached, the power-on reset signal will be maintained for a time period (T_p) before reverting back to its LOW state.

In the case of supply voltage drop, after the trip level (V_t) is reached, the power-on reset signal will respond within T_r . The internal reset will remain active until T_p after the V_t has been exceeded.

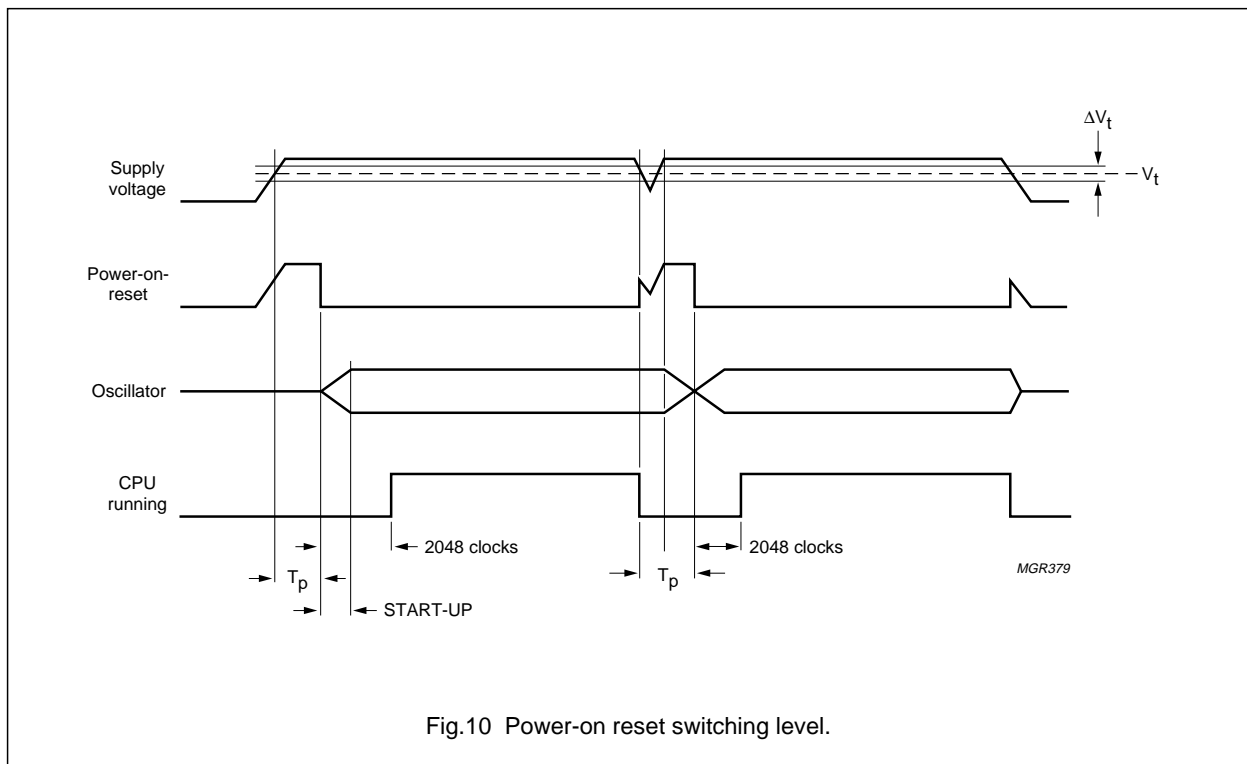
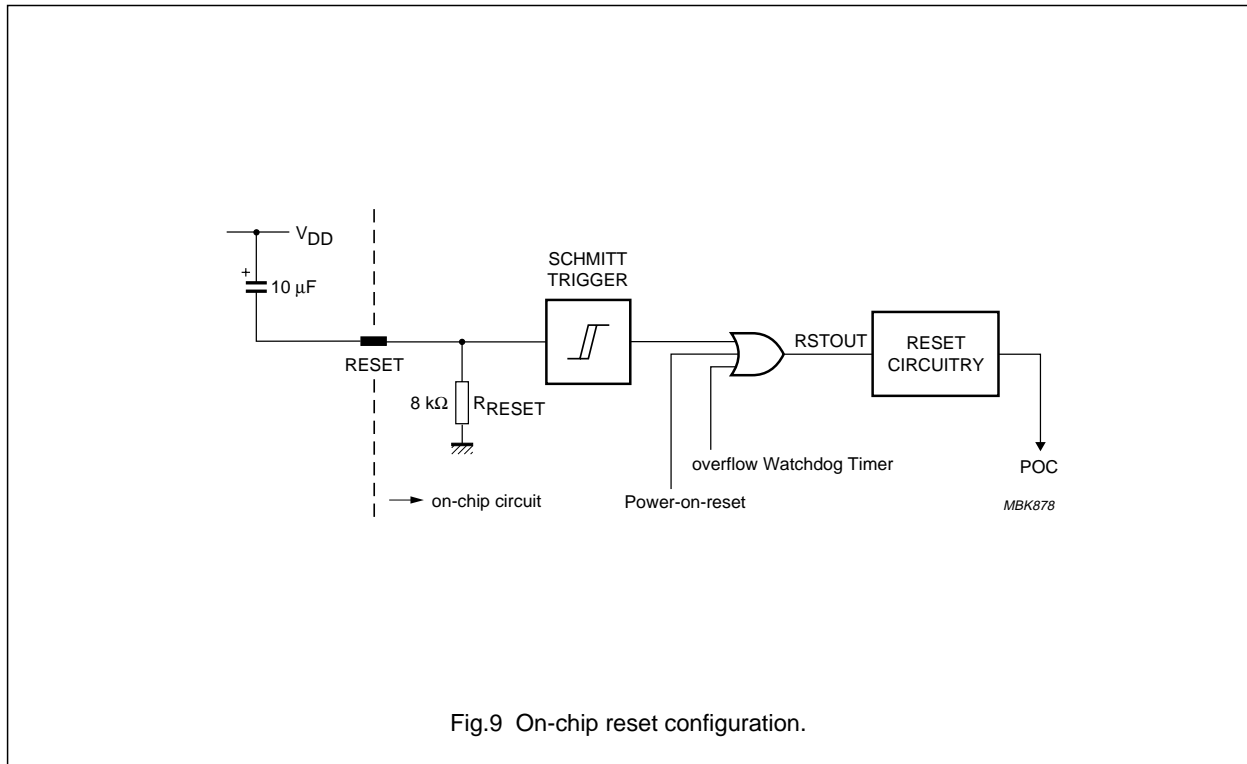
The time interval (T_p) is used to guarantee a complete power-on reset pulse so that this signal can trigger the internal reset signal. However, to ensure the oscillator is stable before the controller starts, the clock is gated away from the CPU for a further 2048 oscillator cycles.

13.3 Watchdog Timer overflow

The length of the output pulse from T3 is 3 machine cycles. A pulse of such short duration is necessary in order to recover from a processor or system fault as fast as possible.

Microcontrollers for NTSC TVs with On-Screen Display (OSD) and Closed Caption (CC)

P8xCx70 family



Microcontrollers for NTSC TVs with On-Screen Display (OSD) and Closed Caption (CC)

P8xCx70 family

Table 34 The reset value of the SFRs

SFR ADDR	REGISTER	CONTENT ⁽¹⁾
80H	P0	1111 1111
81H	SP	0000 0111
86H	PWM0	0000 0000
87H	PCON	0000 0000
88H	TCON	0000 0000
89H	TMOD	0000 0000
8AH	TL0	0000 0000
8BH	TL1	0000 0000
8CH	TH0	0000 0000
8DH	TH1	0000 0000
90H	P1	XXX1 1111
92H	STBCON	XXXX XXX0
96H	PWM1	0000 0000
98H	IRQ1	X00X XXXX
A0H	P2	1111 1111
A6H	PWM2	0000 0000
A8H	IEN0	0000 0000
B0H	P3	1111 1111
B6H	PWM3	0000 0000
B7H	SL	XXX1 0101
B8H	IP0	XX0X 0000
C6H	PWM4	0000 0000
D0H	PSW	0000 0000
D6H	PWM5	0000 0000
D7H	CCData1	0000 0000

SFR ADDR	REGISTER	CONTENT ⁽¹⁾
D8H	S1CON	X000 0000
D9H	SISTA	1111 1000
DAH	S1DAT	0000 0000
DBH	S1ADR	0000 0000
E0H	ACC	0000 0000
E6H	PWM6	0000 0000
E7H	CCData2	0000 0000
E8H	IEN1	0110 0000
EAH	AFCON	X000 000X
EBH	BWC	XXXX XX1X
F0H	B	0000 0000
F4H	P1SEL	XXX0 X000
F5H	PWM8	0000 0000
F6H	PWM7	0000 0000
F8H	IP1	0000 0000
FFH	T3	0000 0000
87F0H	DCR	0000 0000
87F1H	TVPR	0000 0000
87F2H	THPR	0000 0000
87F3H	FCR	0000 0000
87F4H	TAER	0000 0000
87F5H	SSACR	0000 0000
87F6H	SRRR	0000 0000

Note

1. X = undefined. The internal RAM is not affected by reset.

Microcontrollers for NTSC TVs with On-Screen Display (OSD) and Closed Caption (CC)

P8xCx70 family

14 PIN FUNCTION SELECTION

Ports 0, 1 and 3 are dual purpose ports and can be configured as port lines or selected as alternative functions. Selection of the pin as a port line or alternative function is achieved using the appropriate SFR as described in Sections 14.1, 14.2.1 and 14.3.

14.1 Port 0 pin function selection

Port 0 is an 8-bit port which can be configured as eight bidirectional port lines (P0.0 to P0.7) or as eight 7-bit PWM outputs (PWM1 to PWM8).

Each 7-bit PWM output can be selected by setting the PWMnE bit in its associated PWMn register to a logic 1 (see Section 15.1). When using these pins as PWM outputs, the system software needs to keep track of its I/O status and avoid reading from these ports.

When using these pins as general I/O port lines (PWMnE = 0), writing is done to the P0 latch and reading at either the P0 latch or the port pins. No special control is required for this selection.

14.2 Port 1, P3.4 and P3.5 pin function selection

Port 1 is a 4-bit port which can be configured as four bidirectional port lines (P1.0 to P1.3) or as three AFT inputs (AFT0 to AFT2) and one 7-bit PWM output (PWM0).

The AFT inputs are selected using the Port 1 Selection Register (P1SEL) as described in Section 14.2.1. This register also selects the I²C-bus functions of P3.4 and P3.5. The PWM function of the P1.3/PWM0 pin is enabled by setting the PWM0E bit in SFR PWM0 to a logic 1.

14.2.1 PORT 1 SELECTION REGISTER (P1SEL)

Table 35 Port 1 Selection Register (SFR address F4H)

7	6	5	4	3	2	1	0
–	–	–	I ² CE	–	AFT2E	AFT1E	AFT0E

Table 36 Description of P1SEL bits

BIT	SYMBOL	DESCRIPTION
7	–	These 3 bits are reserved.
6	–	
5	–	
4	I ² CE	When I ² CE = 1, pins 49 and 50 are enabled as alternative functions SCL and SDA respectively. When I ² CE = 0, pins 49 and 50 are enabled as general I/O port lines P3.4 and P3.5 respectively.
3	–	This bit is not used.
2	AFT2E	When AFT2E = 1, pin 11 is selected as AFT2 input. When AFT2E = 0, pin 11 is selected as general I/O port line P1.2.
1	AFT1E	When AFT1E = 1, pin 10 is selected as AFT1 input. When AFT1E = 0, pin 10 is selected as general I/O port line P1.1.
0	AFT0E	When AFT0E = 1, pin 9 is selected as AFT0 input. When AFT0E = 0, pin 9 is selected as general I/O port line P1.0.

Microcontrollers for NTSC TVs with On-Screen Display (OSD) and Closed Caption (CC)

P8xCx70 family

14.3 Port 3 pin function selection

Port 3 is an 8-bit port which can be configured as eight bidirectional port lines (P3.0 to P3.7) or as two external interrupts ($\overline{\text{INT0}}$ and $\overline{\text{INT1}}$), two timer/counter inputs (T0 and T1) and the two I²C-bus lines (SDA and SCL). Port lines P3.6 and P3.7 have no alternative functions.

To configure these pins as alternative functions, the corresponding bit in the Port 3 latch (P3) should be programmed to a logic 1 and the corresponding bit in SFR IEN0 also set to a logic 1.

14.3.1 PORT 3 LATCH (P3)

Table 37 Port 3 Latch (SFR address B0H)

7	6	5	4	3	2	1	0
P37	P36	P35	P34	P33	P32	P31	P30

Table 38 Description of P3 bits

BIT	SYMBOL	DESCRIPTION
7	P37	No alternative function available.
6	P36	
5	P35	When P35 = 1, pin 50 is used as SDA if the I ² CE bit in SFR P1SEL is a logic 1. Otherwise pin 50 is general I/O port line P3.5.
4	P34	When P34 = 1, pin 49 is used as SDL if the I ² CE bit in SFR P1SEL is a logic 1. Otherwise pin 49 is general I/O port line P3.4.
3	P33	When P33 = 1, pin 48 is used as Timer 1 input if the ET1 bit in SFR IEN0 is a logic 1. Otherwise pin 48 is general I/O port line P3.3.
2	P32	When P32 = 1, pin 47 is used as external interrupt $\overline{\text{INT0}}$ if the EX0 bit in SFR IEN0 is a logic 1. Otherwise pin 47 is general I/O port line P3.2.
1	P31	When P31 = 1, pin 46 is used as Timer 0 input if the ET0 bit in SFR IEN0 is a logic 1. Otherwise pin 46 is general I/O port line P3.1.
0	P30	When P30 = 1, pin 45 is used as external interrupt $\overline{\text{INT1}}$ if the EX1 bit in SFR IEN0 is a logic 1. Otherwise pin 45 is general I/O port line P3.0.

Microcontrollers for NTSC TVs with On-Screen Display (OSD) and Closed Caption (CC)

P8xCx70 family

15 7-BIT PWM DAC

The P8xCx70 has nine PWM DAC outputs (PWM0 to PWM8) for analog control e.g. volume, balance, bass, treble, brightness, contrast, sharpness, hue and saturation.

Each PWM output generates a pulse pattern with a repetition rate of $\frac{1}{128}f_{PWM}$. The analog value is determined by the ratio of the HIGH-time and the repetition time. A DC voltage proportional to the PWM control setting is obtained by means of an external integration network (low-pass filter). The polarity of each PWM output is fixed to active HIGH.

The HIGH-time of a PWMn output (within one PWM cycle time) may be calculated as shown in Equation (1).

$$t_{HIGH} = PWMn \times t_0 \quad (1)$$

Where PWMn is the contents of PWMn data latch; $t_0 = 1/f_{PWM}$ and $f_{PWM} = \frac{1}{4}f_{xtal}$.

15.1 SFRs for PWM output control

The alternative PWM functions of Port 0 pins are enabled by writing a logic 1 to the PWMnE bit of the associated Special Function Register. When setting the PWMnE bit to a logic 0, the associated pin becomes a general I/O port line.

Table 39 SFR data registers for the 7-bit PWMs

REGISTER	ADDRESS	7	6	5	4	3	2	1	0
PWM0	86H	PWM0E	data6	data5	data4	data3	data2	data1	data0
PWM1	96H	PWM1E	data6	data5	data4	data3	data2	data1	data0
PWM2	A6H	PWM2E	data6	data5	data4	data3	data2	data1	data0
PWM3	B6H	PWM3E	data6	data5	data4	data3	data2	data1	data0
PWM4	C6H	PWM4E	data6	data5	data4	data3	data2	data1	data0
PWM5	D6H	PWM5E	data6	data5	data4	data3	data2	data1	data0
PWM6	E6H	PWM6E	data6	data5	data4	data3	data2	data1	data0
PWM7	F6H	PWM7E	data6	data5	data4	data3	data2	data1	data0
PWM8	F5H	PWM8E	data6	data5	data4	data3	data2	data1	data0

Microcontrollers for NTSC TVs with On-Screen Display (OSD) and Closed Caption (CC)

P8xCx70 family

16 AFT INPUTS (ADC)

The P8xCx70 has 3 ADC channels each with 4-bit resolution. One channel is intended to measure the level of the key pad signals. This is achieved by comparing the AFT signal with the output of a 4-bit DAC.

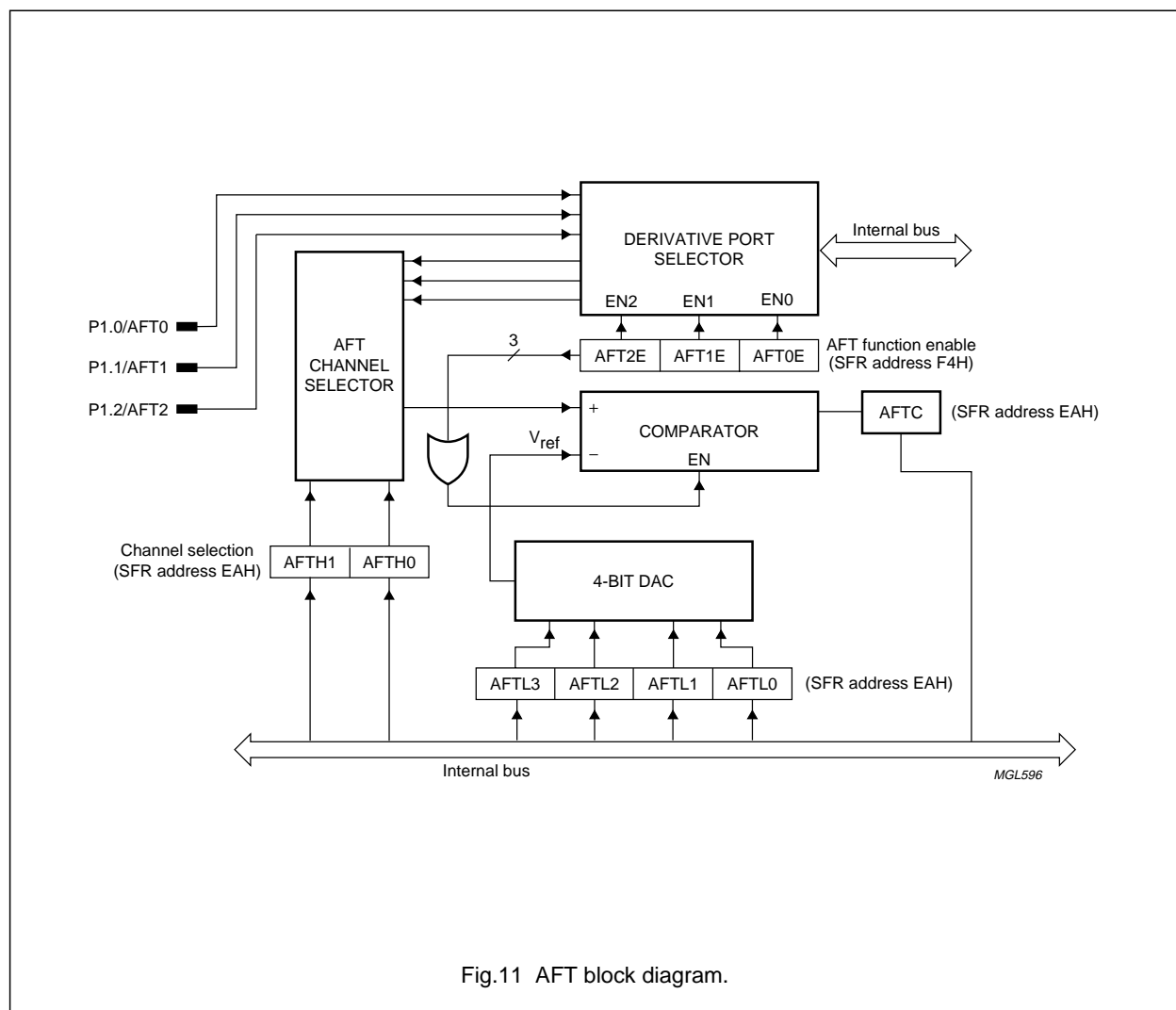
The compare time of the AFT is not greater than 8 μ s at 12 MHz. Adding NOP instructions is recommended in between the instructions which change the reference voltage or channel and the instructions which read the AFTC register bit. Ensure that pins 9, 10 and 11 are configured as AFT functions before use (see Chapter 14).

The conversion time (T_{AFC}) of an AFT (4-bit output) is calculated as shown below.

$$T_{AFC} = (T_{CPU} + 8) \times 4 \mu s$$

where:

$$T_{CPU} = (\text{number of instructions to program 4-bit DAC}) \times (\text{instruction cycle time})$$



Microcontrollers for NTSC TVs with On-Screen Display (OSD) and Closed Caption (CC)

P8xCx70 family

16.1 AFT Control Register (AFCON)

Table 40 AFT Control Register (SFR address EAH)

7	6	5	4	3	2	1	0
–	AFTH1	AFTH0	AFTL3	AFTL2	AFTL1	AFTL0	AFTC

Table 41 Description of AFCON bits

BIT	SYMBOL	DESCRIPTION
7	–	Reserved.
6	AFTH1	AFT channel selection. These two bits are used to select the AFT channel; see Table 42.
5	AFTH0	
4	AFTL3	AFT reference voltage level selection. These four bits are used to select the analog output voltage (V_{ref}) of the 4-bit DAC. V_{ref} is calculated as shown in the equation below: $V_{ref} = \frac{V_{DD}}{16} \times (\text{DAC value} + 1)$
3	AFTL2	
2	AFTL1	
1	AFTL0	
0	AFTC	AFT compare result. If AFTC = 0; the AFT input voltage is lower than the reference voltage. If AFTC = 1; the AFC input voltage is higher than the reference voltage.

Table 42 Selection of AFT channel

AFTH1	AFTH0	CHANNEL SELECTED
0	0	AFT0
0	1	AFT1
1	0	AFT2
1	1	illegal code

Microcontrollers for NTSC TVs with On-Screen Display (OSD) and Closed Caption (CC)

P8xCx70 family

17 DATA SLICER AND CC COMMAND INTERPRETER

The P8xCx70 family contains a Data Slicer which slices Closed Caption data from the CVBS signal. The slice line is programmable between lines 17 to 23. CC command interpretation has to be done by a Command Interpreter which is a relocatable software module. It interprets the 2 bytes that have been sliced off the selected CVBS line and prepares the display RAM in the OSD block for proper Closed Caption and OSD display function.

The composite data signal contained within the active portion of the CVBS line consists of a 7 cycle sine-wave clock run-in burst, 3 start bits and 16 bits of data. These 16 bits consist of two 8-bit alphanumeric characters formulated according to the American Standard Code for Information Interchange (ASCII; x3.4-1967) with odd parity. The clock rate is 0.5035 MHz which is $32f_h$ (horizontal frequency). The clock run-in burst data packet is 50 IRE units (peak-to-peak). Data is sent with the LSB (bit D0) being sent first and the MSB (bit D7, the parity bit) sent last. Figure 13 illustrates CVBS timing.

17.1 Data Slicer

The Composite Video Baseband Signal input should be a signal which is nominally $1 V_{(p-p)}$ with sync tips negative and band limited to $\pm 3\%$ of the standard frequency.

The Data Slicer consists of:

- 7-bit ADC which converts the analog CVBS signal into digital data for extraction
- Sync separator and bit clock recovery
- Data Detector, which extracts the serial stream of bits from the video signal
- Byte Extractor, which performs serial-to-parallel conversion.

17.1.1 ANALOG-TO-DIGITAL CONVERTER

A 7-bit ADC generates a clean CMOS level data signal by slicing the analog CVBS signal using a 6 MHz clock. The ADC error is $\pm 1/2$ LSB across the full range ($2 V_{(p-p)}$).

17.1.2 SYNC SEPARATION AND ACQUISITION TIMING

This block contains an acquisition phase-locked loop which locks onto the incoming video line syncs, with a frequency error of $\pm 3\%$ for a varying frequency error and a wide locking range, such as a VCR.

It also provides a line rate ramp, from which the line based timing signals for the data detection section may be decoded.

17.1.3 DATA DETECTOR

The data detector consists of a low-pass filter which screens out signals above 1 MHz (mainly noise); a DC-loop, which removes DC offset and low frequency interference and adjusts the slice level continuously; an amplitude estimator, which provides the DC-loop with an estimation of signal strength to enable an accurate adaptive slicing level to be calculated and also aids in the detection of signal loss or absence of Closed Caption data and a clock synchronizer, which provides accurate centre-on-the-incoming data bits clock to the byte extractor.

17.1.4 BYTE EXTRACTOR

The Byte extractor extracts data bytes from the sliced bit stream using the clock provided by the data detector block, performs serial-to-parallel conversion, then feeds the 2 data bytes to a pair of registers (CCData1 and CCData2) which hold the 2 data bytes for CC command interpretation. At the end of the selected CVBS line the byte extractor will issue the CC interrupt to the CPU. This interrupt will be generated regardless of whether new data has been received or not.

17.2 Command Interpreter

The Command Interpreter is implemented in software. It is used for data field selection, code interpretation and addressing of the display RAM. It reads the CCData1 and CCData2 registers, checks for the correct parity, field and channel number. When the data received is the correct data, the bytes are passed on to the logic decoder software that interprets the data and addresses the display RAM. The CC770 Closed Caption software supports the three main modes CAPTION, TEXT and XDS. These operation modes can be selected by the user. For the first two modes, the data reception will be done in one of two operating channels C1 or C2 separately for Field 1 or Field 2 of the video frame. The XDS mode is only available in Field 2.

Microcontrollers for NTSC TVs with On-Screen Display (OSD) and Closed Caption (CC)

P8xCx70 family

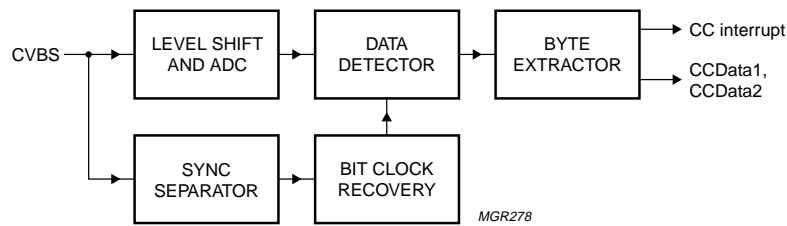


Fig.12 Data Slicer block diagram.

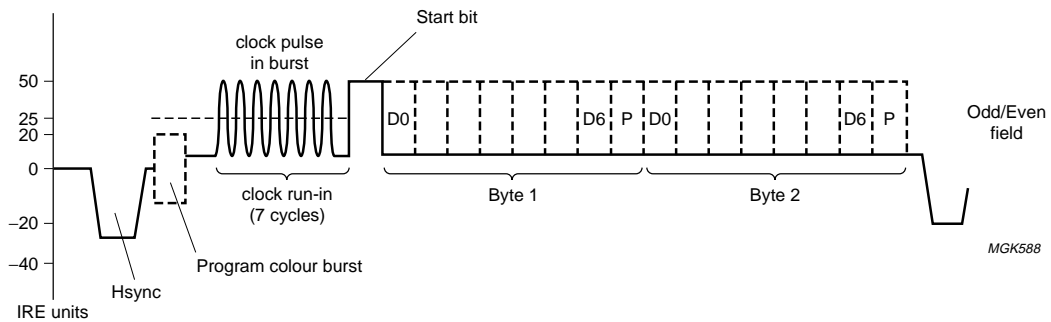


Fig.13 Line 21 CVBS Transmission Format.

Microcontrollers for NTSC TVs with On-Screen Display (OSD) and Closed Caption (CC)

P8xCx70 family

17.3 Closed Caption registers

17.3.1 SLICE LINE REGISTER (SL)

The Data Slicer contains a software programmable Slice Line Register to extract data from one scan-line out of a range of scan-lines 17 to 23.

Table 43 Slice Line Register (SFR address B7H)

7	6	5	4	3	2	1	0
–	–	–	CS4	CS3	CS2	CS1	CS0

Table 44 Description of SL bits

BIT	SYMBOL	DESCRIPTION
7 to 5	–	These 3 bits are not used.
4 to 0	CS4 to CS0	Scan-line select. These 5 bits are used to select one scan line from scan-lines 17 to 23. For example, the value '10001' selects scan-line 17; the value '10111' selects scan-line 23.

17.3.2 CLOSED CAPTION DATA REGISTER 1(CCDATA1)

There are two Closed Caption Data Registers: CCData1 and CCData2. At the beginning of the selected CVBS line these registers will be reset to 00H. The received data will be written into the register at the end of the selected CVBS line, then also the CC interrupt will be issued. If no data was received, the content of the registers will stay at 00H.

Table 45 Closed Caption Data Register 1 (SFR address D7H)

7	6	5	4	3	2	1	0
D7	D6	D5	D4	D3	D2	D1	D0

Table 46 Description of the CCData1 bits

BIT	SYMBOL	DESCRIPTION
7 to 0	D7 to D0	Byte 1 as sliced from the selected CVBS line.

17.3.3 CLOSED CAPTION DATA REGISTER 2 (CCDATA2)

Table 47 Closed Caption Data Register 2 (SFR address E7H)

7	6	5	4	3	2	1	0
D7	D6	D5	D4	D3	D2	D1	D0

Table 48 Description of CCData2 bits

BIT	SYMBOL	DESCRIPTION
7 to 0	D7 to D0	Byte 2 as sliced from the selected CVBS line.

Microcontrollers for NTSC TVs with On-Screen Display (OSD) and Closed Caption (CC)

P8xCx70 family

18 CC/OSD DISPLAY FUNCTION

P8xCx70 contains a display function which covers both OSD and Closed Caption display requirements.

The design is targeted for the US market. The RGB outputs are analog signals derived from a DAC together with the FB (fast blanking) control signal.

18.1 Key features

- Fonts
 - 176 character fonts in masked ROM, each font made up of a 12×16 ROM matrix
 - Each character displayed as 12×13 matrix
 - Special graphic character fonts: maximum 16 characters; each uses masked ROM contents of 2 normal characters; up to 4 different colours can appear in a character
 - Character OTP EPROM: 33792 bits ($176 \times 12 \times 16$).
- Display RAM
 - Display RAM: 560 words of 12 bits/word
 - Maximum displayed characters: 544.
- Screen layout, primary background area:
 - Vertical range: line 6 of Field 1 (line 269 of Field 2) to leading edge of VSYNC
 - Horizontal range: 8 μ s after trailing edge of HSYNC, 56 μ s duration
 - Defines an area with screen colour, large enough that no adjustment is needed.
- Screen layout, CC/OSD text area:
 - Vertical offset: 0 to 63 scan-lines from trailing edge of VSYNC
 - Horizontal offset: 0 to 63 characters from trailing edge of HSYNC plus 0 to 3 quarters character fine offset
 - Maximum CC/OSD rows: 16 (208 scan-lines)
 - Maximum CC/OSD columns: 48 (12 MHz OSD clock).
- Character and attribute coding, display control modes
 - Attribute coding is done by combining with character coding in display RAM
 - Parallel mode: control display feature on a character by character basis, i.e. to a character only
 - Serial mode: apply to a group of characters, valid to all characters displayed on the same display frame after set till modified.
- Character and attribute coding, 'set at' and 'set after'
 - All serial Mode 0 are 'set at', i.e., valid from the character set
 - Serial Mode 1 at first character position of each row are 'set at'
 - Serial Mode 1 after first character position are 'set after', i.e. valid from the next character onward.
- Colour Look-up Table (CLUT)
 - Soft colours: 16 entries CLUT; each entry selected out of 4096 possible colours (4 bits each for R, G and B)
 - Primary background screen colour: 16, selected from CLUT
 - Foreground colours: 8 + 8, on a parallel (character-by-character) basis selected from CLUT
 - Background colours: 16, on a serial (row-by-row) basis selected from CLUT.
- Display character size
 - Horizontal display size: 1 \times or 2 \times OSD clock periods per dot, on a serial basis
 - Vertical display size: 1 \times or 2 \times scan-lines per dot, on a serial basis.
- Special attributes
 - Flash, Italic, Underline, Overline attributes via attribute coding on a serial basis, Mode 0 'set at'
 - Proportional spacing supported
 - Fringing (shadowing): independent north, south, east and/or west fringing on a screen (applied to all characters displayed) basis via a control register
 - Boxing attribute via attribute coding on a serial basis, both Mode 0 and Mode 1 possible
 - Meshing attribute on a screen basis via control register; background colour areas are modified to display background colours and video alternately, provided in Mixed Video display mode
 - Flashing (blinking) on a serial basis, Mode 0 'set at'; flashing frequency: 50% duty, 1 or 2 Hz, done via a control register.

Microcontrollers for NTSC TVs with On-Screen Display (OSD) and Closed Caption (CC)

P8xCx70 family

- Automatic soft scroll
 - Programmable soft scroll display area height up to 16 rows
 - Programmable soft scroll display area top row
 - Programmable row range for soft scroll
 - Scroll map maintained in display RAM; number of entries equals scroll display area height, up to 16 entries; display RAM positions occupied not usable for coding display characters.
- Miscellaneous
 - Programmable HSYNC and VSYNC active polarity
 - Programmable FBL (fast blanking) and R, G and B (during line fly-back periods) polarity
 - 16 level RGB brightness control
 - Video, Full Text, Mixed Screen Colour, Mixed Video display modes.

18.2 Display features

18.2.1 FLASH

This attribute is valid from the time set until end of row or otherwise modified.

Flashing causes the foreground colour pixels to be displayed as background pixels. This means that the fringing, if set, will only be visible when the foreground colour pixels are displayed as foreground colour. The flash frequency can be set to either 1 or 2 Hz (see Section 18.4.5).

18.2.2 FRINGING

This attribute is valid from the time set until end of row or otherwise modified.

Fringing causes an edge (fringe) to be put around the foreground pixels. Fringing is an attribute that can be applied to characters providing a shadow around the shape of the foreground information. The fringe is 1 line wide in the vertical direction and 1 pixel wide in the horizontal direction. Fringing applies to all characters except those in columns 8 and 9.

The size of the fringe is independent of the size attributes and always remains 1 scan-line vertically and 1 pixel horizontally for even and odd field.

Fringing is only effective within the text area and will not extend over the text area borders. Fringing will cross the borders of boxes in the horizontal direction, but will not cross between rows in the vertical direction. Special facilities are provided for combined characters (see Section 18.10).

18.2.3 SIZE

Two sizes are offered in both horizontal and vertical directions. The sizes available are normal, double height/width and any combinations of these. The attribute settings are always valid for a whole row. Mixing of sizes within a row is not possible. The first character in the row must be the serial attribute, Mode 1 if the default of normal size is to be overridden. These attributes will be ignored in any other position. For additional details see Section 18.3.2.

18.2.4 ITALICS

This attribute is valid from the time set until end of row or otherwise modified. This attribute causes the character foreground pixels to be offset horizontally by 1 pixel per 4 scan-lines (interlaced mode); see Fig.14.

The base is the bottom left character matrix pixel. The pattern of the character will be indented 1 pixel every 2 scan-lines per field, starting from the base of the character. Fringing is shifted accordingly.

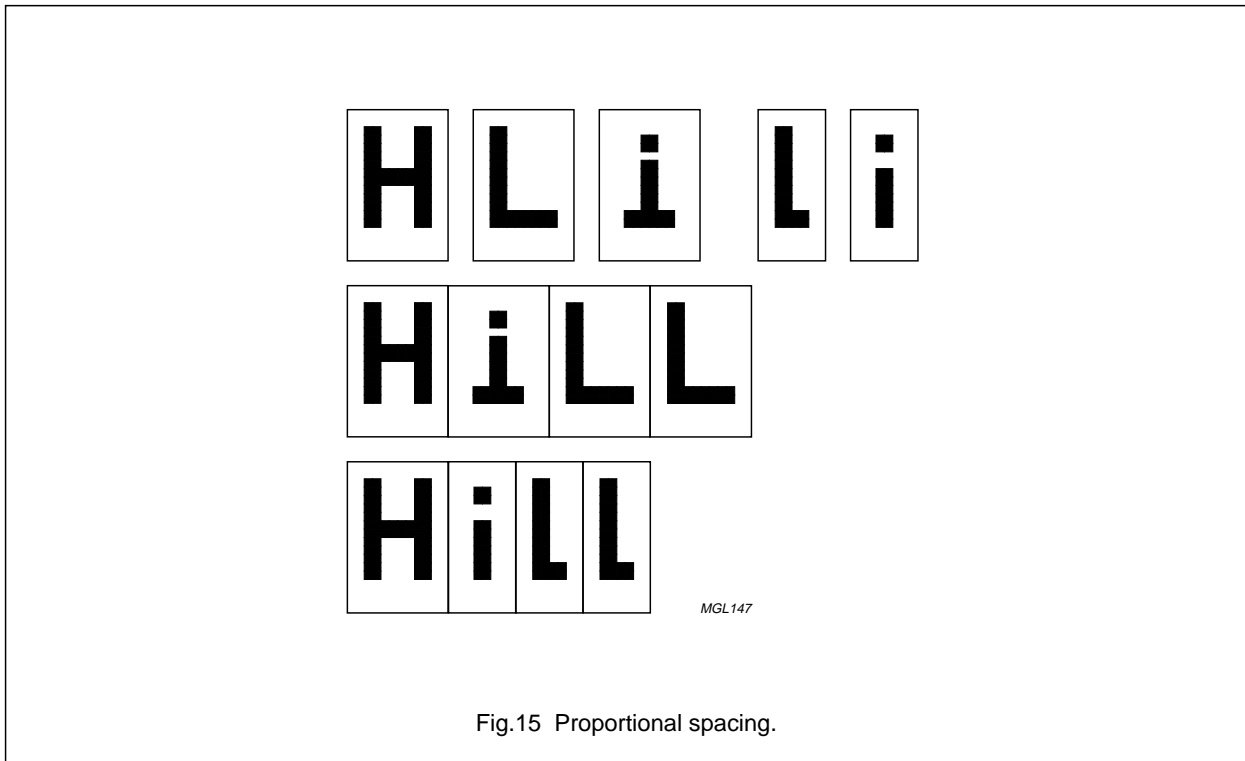
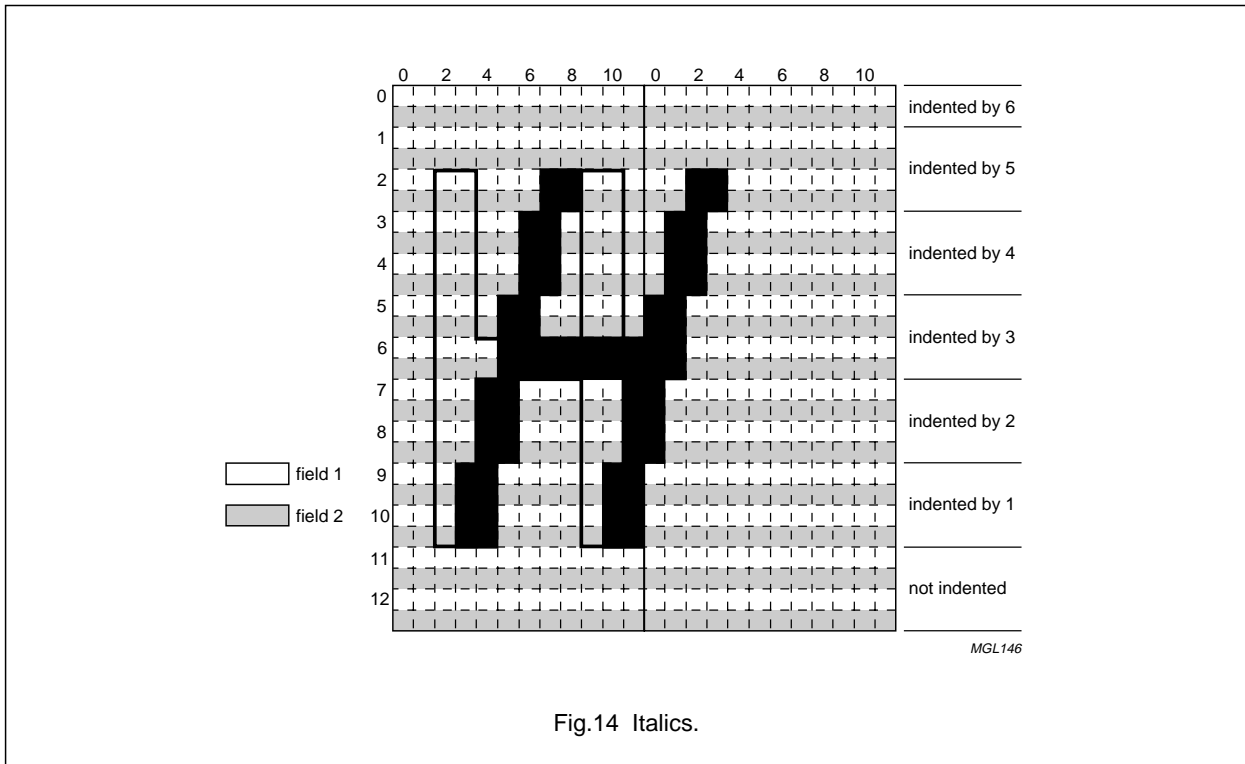
18.2.5 PROPORTIONAL SPACING

The character font ROM in column A, contains the half-width characters: f, i, j, l and t. These characters have a width of only 6 pixels instead of the normal 12. Examples of half-width characters are shown in Fig.15.

If some of the characters are not used for depicting narrow characters they may be used as normal. In this case they are accessible via column D (see Fig.27).

Microcontrollers for NTSC TVs with On-Screen Display (OSD) and Closed Caption (CC)

P8xCx70 family



Microcontrollers for NTSC TVs with On-Screen Display (OSD) and Closed Caption (CC)

P8xCx70 family

18.2.6 COLOUR LOOK-UP TABLE (CLUT)

A Colour Look-up Table with 16 colours is provided. The colours are programmable from a palette of 4096 (4 bits per R, G and B). The CLUT is defined by writing data to the RAM as described in Section 18.6.

Table 49 CLUT colour values

RED<3-0>				GREEN<3-0>				BLUE<3-0>				COLOUR VALUE	
11	10	9	8	7	6	5	4	3	2	1	0		
0	0	0	0	0	0	0	0	0	0	0	0	0	lowest value
↓	↓	↓	↓	↓	↓	↓	↓	↓	↓	↓	↓	↓	↓
1	1	1	1	1	1	1	1	1	1	1	1	1	highest value

18.2.7 FAST BLANKING POLARITY

The polarity of the Fast Blanking signal (FBL) can be inverted. When inverted the values of the RGB outputs during line fly-back periods are also inverted. The polarity is set using the FBPOL bit in the RGB Brightness Register (see Section 18.9.8).

Table 50 RGB blanking interval values

FBOL	RED<3-0>				GREEN<3-0>				BLUE<3-0>				CONDITIONS	
	11	10	9	8	7	6	5	4	3	2	1	0		
0	0	0	0	0	0	0	0	0	0	0	0	0	0	Normal operation
1	1	1	1	1	1	1	1	1	1	1	1	1	1	Inverted Fast Blanking signal

Table 51 Fast Blanking signal polarity

FBPOL	FBL	CONDITION
0	1	RGB display
0	0	Video display
1	0	RGB display
1	1	Video display

18.2.8 RGB BRIGHTNESS CONTROL

A brightness control is provided that allows the RGB output voltages to be modified. The brightness is set using the BRI0 to BRI3 bits in the RGB Brightness Register (see Section 18.9.8).

Table 52 RGB brightness selection

BRI3	BRI2	BRI1	BRI0	RGB BRIGHTNESS
0	0	0	0	lowest value
↓	↓	↓	↓	↓
1	1	1	1	highest value

Microcontrollers for NTSC TVs with On-Screen Display (OSD) and Closed Caption (CC)

P8xCx70 family

18.2.9 FOREGROUND COLOUR

The foreground colour can be chosen from 8 colours on a character-by-character basis. Two sets of 8 colours are provided. A serial attribute switches between the banks (see Serial Mode 1, bit 7). The colours are the CLUT entries 0 to 7 or 8 to 15.

18.2.10 BACKGROUND COLOUR

This attribute is valid from the time set until end of row or otherwise modified if set with Serial Mode 0. If set with Serial Mode 1, then the colour is set from the next character onwards (see Section 18.3.2).

The background colour can be chosen from all 16 CLUT entries.

18.2.11 BOXES

This attribute is valid from the time set until end of row or otherwise modified if set with Serial Mode 0. If set with Serial Mode 1, then it is set from the next character onwards (see Section 18.3.2).

In text mode the background colour is displayed regardless of the setting of the box attribute bit. Boxes take effect only during mixed mode, where boxes are set in this mode the background colour is displayed. Character locations where boxes are not set show video/screen colour (depending on the setting in the Display Control Register) instead of the background colour.

18.2.12 MESHING

Meshing effects the background colour:

- In text mode all background colour will be meshed
- During mixed modes the background colour will only be displayed where boxes are active, therefore meshing will only be displayed inside these areas.

The appearance of the background colour is modified by the meshing control bit (MSH). If meshing is set then the background pixels, where displayed, are alternately displayed at pixel rate in the background colour and as video/screen colour, depending on which of the mixed modes is set. The structure is offset by 1 pixel from scan-line to scan-line, thus achieving a checker board display of the background colour.

Meshing is set in the Display Control Register, see Section 18.9.1.

18.2.13 BACKGROUND DURATION

The background duration attribute can be set with the Serial Mode 1 attribute, see Section 18.3.2. In combination with the End Of Row attribute (see Section 18.2.17), it forces the background colour to be displayed on the row until the end of the text area is reached.

When set, this attribute takes effect from the current position until the end of the text display as defined in the Text Area End Register (see Section 18.9.5).

18.2.14 UNDERLINE

This attribute is valid from the time set until end of row or otherwise modified if set with Serial Mode 0. If set with Serial Mode 1, then it is set from the next character onwards (see Section 18.3.2).

The underline attribute causes the characters to have the bottom scan-line of the character cell forced to foreground colour, including spaces. If background duration is set, then underline is set until the end of the text area.

18.2.15 OVERLINE

This attribute is valid from the time set until end of row or otherwise modified if set with Serial Mode 0. If set with Serial Mode 1, then it is set from the next character onwards (see Section 18.3.2).

The overline attribute causes the characters to have the top scan-line of the character cell forced to foreground colour, including spaces. If background duration is set, then overline is set until the end of the text area.

18.2.16 SPECIAL GRAPHIC CHARACTERS

Several special characters are provided for special effects. These characters provide a choice of 4 colours within a character cell. The number of characters is limited to 16. Characters are stored in columns 8 and 9 of the ROM table (32 ROM characters). Each character uses the ROM contents of 2 normal characters. Addressing is therefore done using only the even character addresses. The pixel planes are stored in adjacent character locations, always starting with an even character. The pixel plane 0 is stored in the even character and pixel plane 1 is stored in the odd character ROM position

There is no fringing possible for these characters.

Microcontrollers for NTSC TVs with On-Screen Display (OSD) and Closed Caption (CC)

P8xCx70 family

If some of the characters are not used for depicting special characters they may be used as normal. In this case they are accessible via the columns B and C (see Section 18.10).

The four colours are allocated as shown in Table 53. An example of a special character is shown in Fig.16. If the screen colour is transparent (implicit in Mixed mode) and inside the object the box attribute is set, then the object is surrounded by video. If the box attribute is not set the background colour inside the object will also be displayed as transparent.

18.2.17 END OF ROW

The number of characters in a row is flexible and can be determined by the end of row bit in the Serial Mode 1 character attribute, however the maximum number of characters is determined by the setting of the text area start and the text area end register.

The total number of characters displayed on a page is limited by the internal RAM size. The characters are stored sequential in the memory.

Table 53 Special character colours

PLANE1	PLANE0	COLOUR ALLOCATION
0	0	background colour
0	1	foreground colour
1	0	foreground colour 6 or 14 depending on the set bank
1	1	foreground colour 7 or 15 depending on the set bank

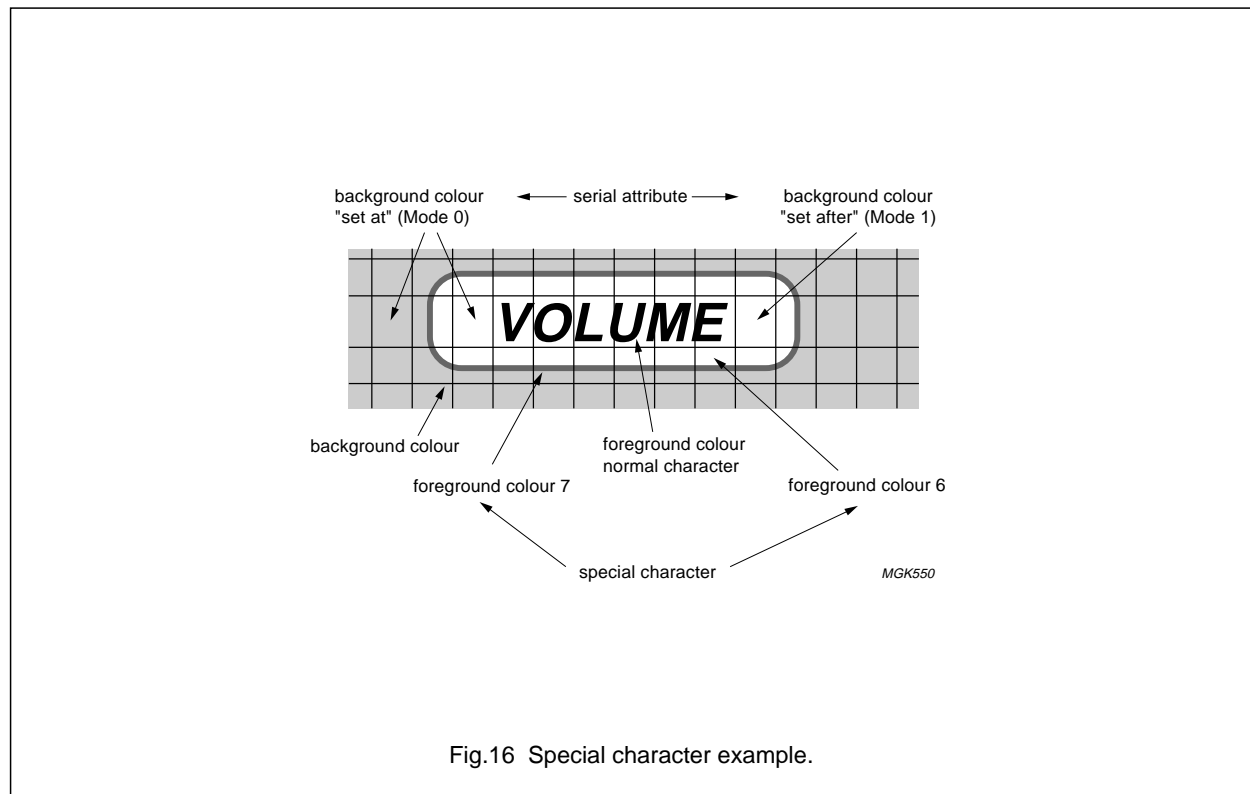


Fig.16 Special character example.

Microcontrollers for NTSC TVs with On-Screen Display (OSD) and Closed Caption (CC)

P8xCx70 family

18.3 Character and attribute coding

Character coding is split into character oriented attributes (parallel) and character group coding (serial). The serial attributes take effect at the set position and remain effective until either modified by new serial attributes or until the end of the row. A serial attribute is represented as a space (the space character itself however is not used for this purpose). The attributes are still active, e.g. overline and underline will be visible.

The default settings at the start of a row are:

- Foreground colour = 0, foreground colour switch = 0 (bank 0)
- Background colour = 8

- 1x size
- Flash off
- Overline off
- Underline off
- Italics off
- Display mode = superimpose
- Fringing off
- Background colour duration = 0
- End of Row = 0.

The coding is done in 12-bit words. The codes are stored sequentially in the display memory.

18.3.1 PARALLEL CHARACTER CODING

Table 54 Parallel character coding

BITS	DESCRIPTION
0 to 7	8-bit character code
8 to 10	3 bits for 8 foreground colours
11	Mode bit: a logic 0 = parallel code

18.3.2 SERIAL CHARACTER CODING

Table 55 Serial character coding

BITS	SERIAL MODE 0 ('SET AT')	SERIAL MODE 1	
		CHAR. POSITION = 1 ('SET AT')	CHAR. POSITION >1 ('SET AFTER')
0 to 3	4 bits for 16 background colours	4 bits for 16 background colours	4 bits for 16 background colours
4	0 = Underline off 1 = Underline on	Horizontal Size: 0 = normal; 1 = x2	0 = Underline off 1 = Underline on
5	0 = Overline off 1 = Overline on	Vertical Size: 0 = normal; 1 = x2	0 = Overline off 1 = Overline on
6	Display mode: 0 = Superimpose; 1 = Boxing	Display mode: 0 = Superimpose; 1 = Boxing	Display mode: 0 = Superimpose; 1 = Boxing
7	0 = Flash off 1 = Flash on	Foreground colour switch 0 = Bank 0 (colours 0 to 7) 1 = Bank 1 (colours 8 to 15)	Foreground colour switch 0 = Bank 0 (colours 0 to 7) 1 = Bank 1 (colours 8 to 15)
8	0 = Italics off 1 = Italics on	Background colour duration: 0 = stop BGC 1 = set BGC to end of row	Background colour duration (set at): 0 = stop BGC 1 = set BGC to end of row
9	0 = Fringing off 1 = Fringing on	End of Row 0 = Continue Row; 1 = End Row	End of Row (set at): 0 = Continue Row; 1 = End Row
10	Switch for Serial coding Mode 0 and 1: 0 = Mode 0	Switch for Serial coding Mode 0 and 1: 1 = Mode 1	Switch for Serial coding Mode 0 and 1: 1 = Mode 1
11	Mode bit: 1 = Serial code	Mode bit: 1 = Serial code	Mode bit: 1 = Serial code

Microcontrollers for NTSC TVs with On-Screen Display (OSD) and Closed Caption (CC)

P8xCx70 family

18.4 Screen controls

A number of 8-bit registers are provided which are used to select various parameters for the whole screen.

18.4.1 DISPLAY MODES

When superimpose or boxing are set, the resulting display depends on the setting of the screen display mode bits. The mode is selected by the MOD0 and MOD1 bits of the Display Control Register (see Section 18.9.1).

- **Video mode:** disables all display activities and sets the RGB to true black and FBL to video.
- **Full Text mode:** displays screen colour at all locations not covered by character foreground or background colour. The box attribute has no effect.
- **Mixed Screen mode:** displays screen colour at all locations not covered by character foreground or, within boxed areas, background colour.
- **Mixed Video mode:** displays video at all locations not covered by character foreground or within boxed areas, background colour.

Table 56 Selection of screen display modes

MOD1	MOD0	DISPLAY MODE
0	0	Video mode
0	1	Full Text mode
1	0	Mixed Screen mode
1	1	Mixed Video mode

18.4.2 FRINGING CONTROLS

18.4.2.1 Fringing direction

Fringing can be set to work in any direction (N, S, E and W). The direction is selected by setting one of the four FRDx bits in the Fringing Control Register (see Section 18.9.4). Where x = N, S, E or W and N = North, S = South etc.

Table 57 Selection of Fringing direction

FRDx	FRINGING DIRECTION
0	off
1	on

18.4.3 FRINGING COLOUR

The colour of the fringe is set by the FRC0 to FRC3 bits in the Fringing Control Register (see Section 18.9.4). Any one of 16 colours can be selected.

Table 58 Fringing colour

FRC<3-0>				FRINGING COLOUR
3	2	1	0	
0	0	0	0	Colour 0
↓	↓	↓	↓	↓
1	1	1	1	Colour 15

18.4.4 SCREEN COLOUR

The screen colour can be any one of 16 colours. The colour is selected using the SRC0 to SRC3 bits in the Display Control Register (see Section 18.9.1). The screen colour covers the full video width, as described in Section 18.7.1. It is visible when the Text mode is set and no foreground or background pixels are being displayed (see Section 18.4.1).

Table 59 Selection of the screen colour

SRC<3-0>				SCREEN COLOUR
3	2	1	0	
0	0	0	0	Colour 0
↓	↓	↓	↓	↓
1	1	1	1	Colour 15

18.4.5 FLASH FREQUENCY

The flash frequency is set by the FLF bit in the Display Control Register; (see Section 18.9.1).

Table 60 Selection of the flash frequency

FLF	FLASH FREQUENCY
0	approximately 1 Hz with a 50% active ratio
1	approximately 2 Hz with a 50% active ratio

Microcontrollers for NTSC TVs with On-Screen Display (OSD) and Closed Caption (CC)

P8xCx70 family

18.5 Text display controls

These controls are used for defining the display areas. Two types of areas are possible. One area is static and controlled via the main row counter, while the other is dynamic and can be soft scrolled. The areas cannot cross each other. Only one soft scroll area is possible.

A scroll map is provided which is addressed by the display row and contains the address of the data in the memory that is to be displayed. A bit is also provided to enable the text display, outside of the scroll area.

Outside the defined scroll area, the scroll map is addressed by the main row counter. Within the visible soft scroll area, the scroll map is addressed by the scroll row counter. The text display enable bit within this area is ignored.

The number of rows that can be scrolled through can be set by defining the start row (scroll map value) and end row. The defined number of rows should be at least one more than the visible scroll area height.

The height of the visible area is defined as a number of rows. The position of the scroll area is defined as an offset in number of rows from the start of the text area.

The values programmed into the registers must ensure a sensible display. the following should be noted:

- If values are programmed that cause the display to go beyond the vertical sync signal, the display will stop and react as if finished
- If the visible scroll area is made larger than the number of rows allocated to the scroll function, then they will wrap around and be repeated
- If the defined range of rows for scrolling is greater than the scroll area, these rows should not be used for other display purposes.

18.5.1 SOFT SCROLL ACTION

The soft scrolling function is done by modifying the start count of the row scan-line count of the first scroll row. This is decremented once per frame automatically thus providing the effect of the top row disappearing while the bottom row is appearing.

At the count 0, the scroll row counter is incremented automatically and the line-scan counter is set to 12 again. This pushes the top row to the bottom. This row must be cleared by the core during the fly-back period.

If the number of rows allocated to the scroll counter is larger than the defined visible scroll area, this allows parts of rows at the top and bottom to be displayed during the scroll function.

Only screens which contain single height rows or only double height rows can be scrolled.

18.5.1.1 Soft scroll enable

The soft scroll function is started by writing a logic 1 to the SCRL bit in the Read Only Status Register (see Section 18.9.9). This bit will be cleared when the scrolling of one row is completed.

A hard scrolling action can also be performed when writing a logic 0 to the SCRL bit in the Write Only Status Register. If a logic 0 is written to this bit, the display in the scroll area is subsequently shifted up by one row.

Table 61 Soft scroll enable

SCRL	SOFT SCROLL
0	Activates hard scroll, shifts display in one row increment, stops soft scroll.
1	Start scrolling function.

18.5.1.2 Soft scroll area enable

The SCON bit in the Status Register controls whether a scroll area is active or not. The default value is no scroll area enabled, and the display is controlled only by the scroll map entries. When this bit is set to a logic 1 the scroll area is activated and the values contained in the SSACR, SRRR and STA registers take effect.

Table 62 Soft scroll area enable

SCON	SOFT SCROLL AREA
0	no scroll area enabled
1	scroll area enabled

Microcontrollers for NTSC TVs with On-Screen Display (OSD) and Closed Caption (CC)

P8xCx70 family

18.5.1.3 Top display row select

The top display row of the scroll area is set using the SSP0 to SSP3 bits in the Soft Scroll Area Control Register (see Section 18.9.6).

Table 63 Soft scroll area position value

SSP<3-0>				DISPLAY AREA POSITION
3	2	1	0	
0	0	0	0	Row 0
↓	↓	↓	↓	↓
1	1	1	1	Row 15

18.5.1.4 Visible scroll area height selection

The visible scroll area height is set using the SSH0 to SSH3 bits in the Soft Scroll Area Control Register (see Section 18.9.6).

Table 64 Soft scroll area height value

SSH<3-0>				DISPLAY AREA HEIGHT
3	2	1	0	
0	0	0	0	1 Row
↓	↓	↓	↓	↓
1	1	1	1	16 Rows

18.5.1.5 Scroll rows range selection

The scroll rows range is set in the Scroll Rows Range Register (see Section 18.9.7). Setting this register initialises the scroll row counter so that the first (top) row is the Start Scroll Row Number. By redefining the contents of this register a hard scrolling can also be achieved. If a new start scroll row number is loaded during a soft scroll action, then this value will be taken as the new start value after the scrolling action has been completed.

Table 65 Start scroll row number

STS<3-0>				START SCROLL ROW NUMBER
3	2	1	0	
0	0	0	0	Row 0
↓	↓	↓	↓	↓
1	1	1	1	Row 15

Table 66 Stop scroll row number

SPS<3-0>				STOP SCROLL ROW NUMBER
3	2	1	0	
0	0	0	0	Row 0
↓	↓	↓	↓	↓
1	1	1	1	Row 15

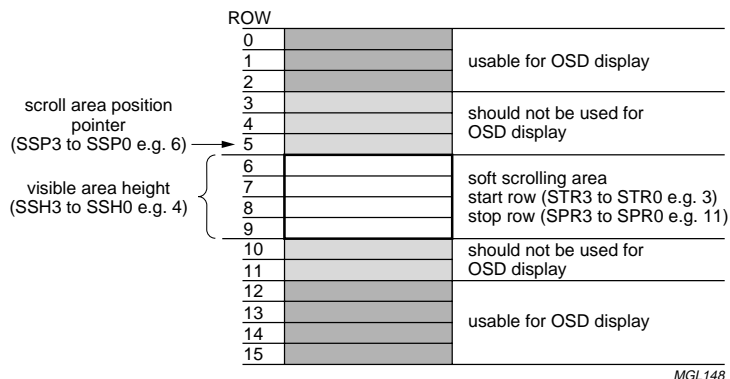


Fig.17 Soft scroll area.

Microcontrollers for NTSC TVs with On-Screen Display (OSD) and Closed Caption (CC)

P8xCx70 family

18.5.2 SCROLL MAP

The scroll map allows a flexible allocation of data in the memory, to individual rows. Sixteen 12-bit words are provided in the display memory for this purpose. The bit allocation is shown in Table 67. The scroll map memory is located in the first 16 words in the display memory (data byte addresses 8000H to 801FH) as shown in Fig.18.

Table 67 Scroll map word format

BIT	DESCRIPTION
11	Text display enable, valid outside soft scroll area. A logic 0 = disable; a logic 1 = enable.
10	Reserved, should be set to a logic 0.
9 to 0	Pointer to row data.

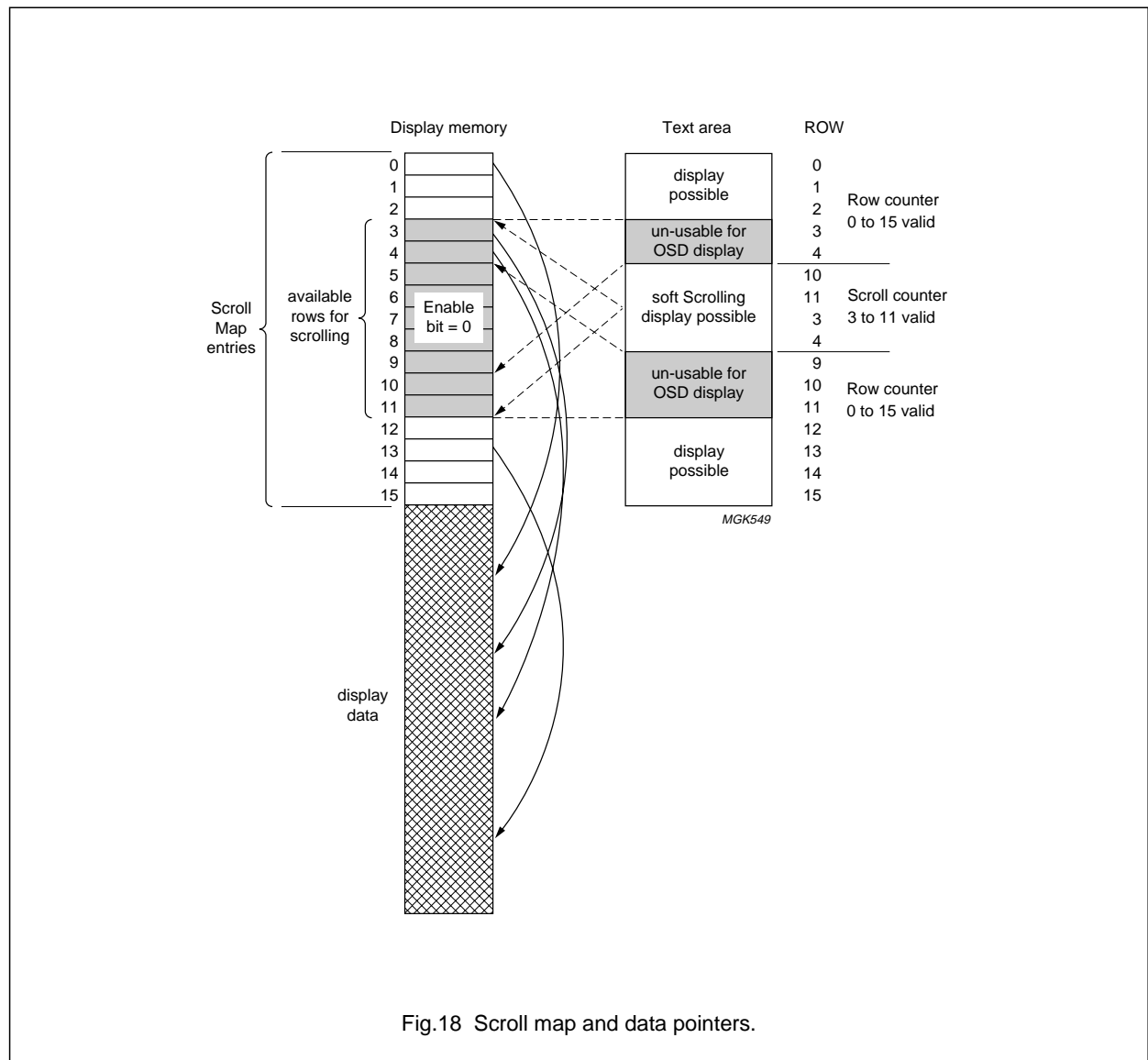


Fig.18 Scroll map and data pointers.

Microcontrollers for NTSC TVs with On-Screen Display (OSD) and Closed Caption (CC)

P8xCx70 family

18.6 Memory mapping

All registers and RAM in the display section are mapped into the upper 32-kbyte external RAM range of the 80C51 core.

When writing to the display section, memory units (CLUT and the Display RAM) have wider formats than 8-bits. Two bytes are written for each word, the first byte (even addresses), addresses the lower 8-bits; the lower nibble of the second byte (odd addresses), addresses the upper 4-bits.

18.6.1 ACCESSING MEMORY

The memories can be accessed by the microprocessor as if it is external RAM.

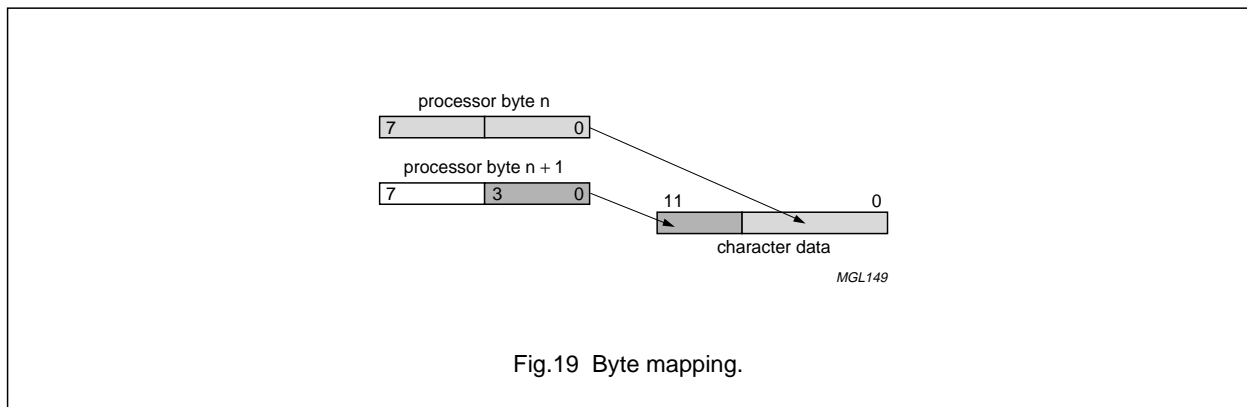


Fig.19 Byte mapping.

	microcontroller address	internal RAM address
registers (16 bytes)	87FFH	registers F
	87F0H	registers 0
//		
CLUT (32 bytes)	871FH	CLUT RAM F
	8700H	CLUT RAM 0
//		
display data 2 bytes/character	845FH	22FH
	8020H	display data RAM (1120 bytes)
scroll map	801FH	
	8000H	000H

MGL152

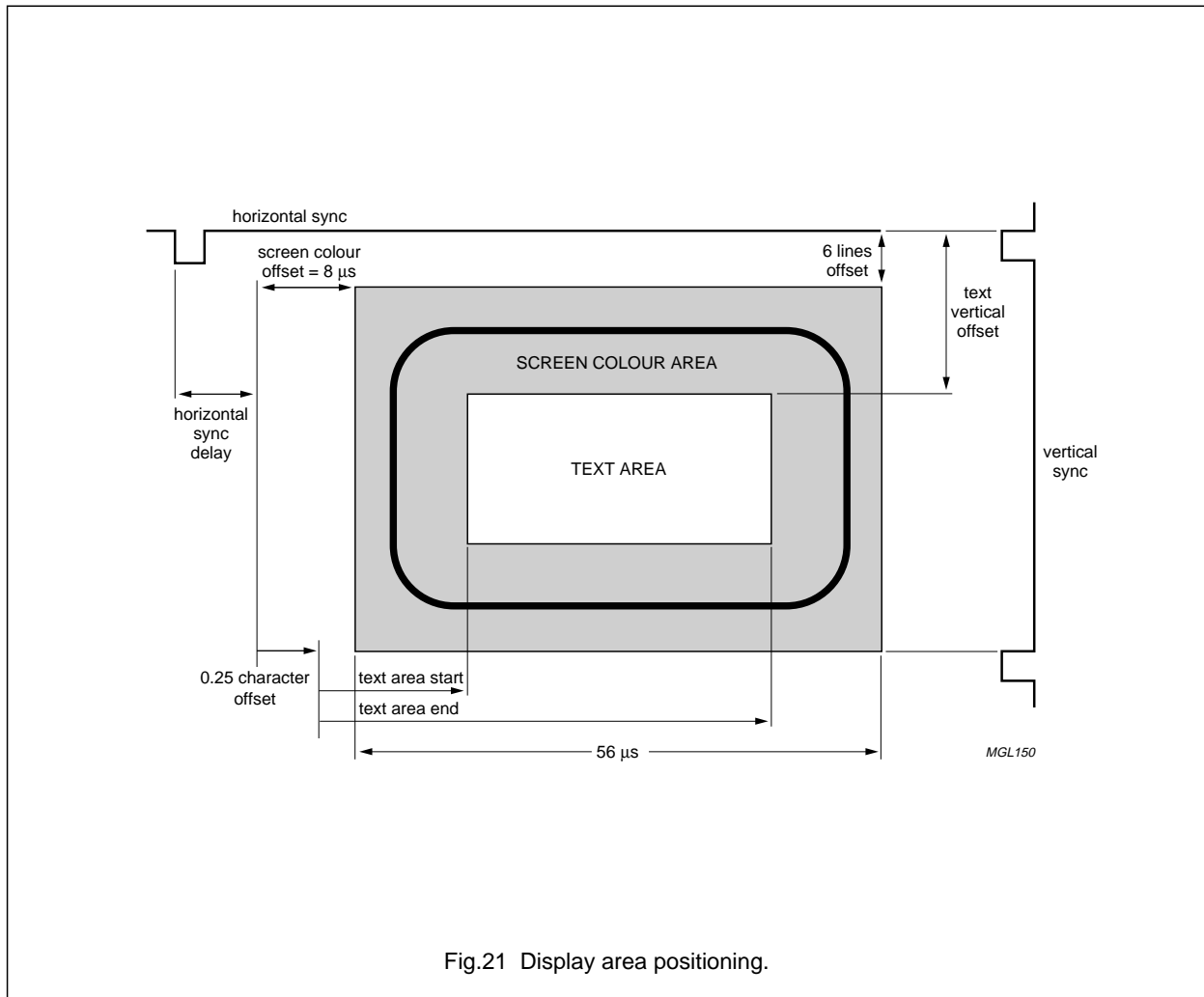
Fig.20 Memory and register mapping.

Microcontrollers for NTSC TVs with On-Screen Display (OSD) and Closed Caption (CC)

P8xCx70 family

18.7 Display positioning

The positioning of the display is relative to the vertical and horizontal sync pulses. The display consists of the screen colour covering the whole screen and the text area that is placed within the visible screen area. The screen colour extends over a large vertical and horizontal range so that no offset is needed. The text area offset in both directions is relative to the vertical and horizontal sync pulses.



Microcontrollers for NTSC TVs with On-Screen Display (OSD) and Closed Caption (CC)

P8xCx70 family

18.7.1 SCREEN COLOUR DISPLAY AREA

The screen colour display area starts with a fixed offset of 8 μ s from the leading edge of the horizontal sync pulse in the horizontal direction. A vertical offset is not necessary.

Table 68 Screen colour display area

POSITION	525-LINE
Horizontal	Start at 8 μ s after leading edge of HSYNC for 56 μ s.
Vertical	Line 6, Field 1 (269, Field 2) to leading edge of vertical sync.

18.7.2 TEXT DISPLAY AREA

Table 69 Text display area

POSITION	DESCRIPTION
Horizontal	Up to 48 full sized characters per row. Start position setting from 3 to 64 characters from the leading edge of HSYNC. Fine adjustment in quarter characters.
Vertical	208 lines (nominal 38 to 245). Start position setting from leading edge of vertical sync, legal values are 4 to 64 lines.

The text area can be defined to start with an offset in both the horizontal and vertical direction. The horizontal offset is set in the Text Horizontal Position Register (see Section 18.9.3). The offset is in full width characters (1 to 64 characters) and quarter characters for fine setting (0 to 3 quarters). The vertical offset is set in the Text Vertical Position Register (see Section 18.9.2). The offset is done in number of lines (0 to 63).

Table 70 Text area start offset

TAS<5-0> ⁽¹⁾						TEXT POSITION HORIZONTAL TEXT AREA START
5	4	3	2	1	0	
0	0	0	0	0	0	0 characters
↓	↓	↓	↓	↓	↓	↓
1	1	1	1	1	1	63 characters

Note

- The values '000000' to '000011' will result in a corrupted offset.

Table 71 Text area fine offset

HOP1	HOP0	TEXT POSITION HORIZONTAL FINE OFFSET
0	0	0 quarters
0	1	1 quarter
1	0	2 quarters
1	1	3 quarters

Table 72 Text vertical position

VOL<5-0>						TEXT AREA VERTICAL LINE OFFSET
5	4	3	2	1	0	
0	0	0	0	0	0	0 lines
↓	↓	↓	↓	↓	↓	↓
1	1	1	1	1	1	63 lines

The width of the text area is defined by setting the end character value (1 to 64 characters). This number determines where the background colour will end if set to extend to the end of the row. It will also terminate the character fetch process thus eliminating the necessity of a row end attribute. This entails however writing to all positions.

The text area end is set by the TAE0 to TAE5 bits in the Text Area End Register (see Section 18.9.5). The width is the difference between the horizontal offset and the end value and is always as a number of full width characters (0 to 48 valid range). The quarter character offset in the Text Horizontal Position Register is also valid for the end position.

Table 73 Text area end

TAE<5-0>						TEXT AREA END FULL CHARACTERS
5	4	3	2	1	0	
0	0	0	0	0	0	1 character
↓	↓	↓	↓	↓	↓	↓
1	1	1	1	1	1	64 characters

Microcontrollers for NTSC TVs with On-Screen Display (OSD) and Closed Caption (CC)

P8xCx70 family

18.8 General controls

18.8.1 POLARITY OF HSYNC AND VSYNC INPUT SIGNALS

The horizontal and vertical input sync signals can be inverted by setting the HPOL and VPOL bits in the Text Vertical Position Register (see Section 18.9.2).

Table 74 Sync signal polarity

HPOL	VPOL	SYNC SIGNAL POLARITY
0	0	input polarity
1	1	input inverted polarity

18.8.2 FRAME RESET GENERATION

Normally, VSYNC of the first field occurs during the first half line period and Vsync of the second field occurs during the second half period of a scan-line. In this case it is very easy to generate a frame reset signal. The VSYNC pulse is generated by sampling and rising edge detection.

These VSYNC pulses are gated (AND gate) with a line frequency signal which has a duty cycle of 50 : 50 (H50).

The output signal is the frame reset pulse. The rising edge of the H50 signal is generated from the HSYNC pulse. The falling edge is generated via a comparison between the fixed value of half of the nominal number of 768 pixels per line (comparator value: 384 pixels) and the value of a pixel counter.

If the VSYNC of one field occurs shortly after the falling edge of H50 and the line period has more than the nominal number of 768 pixels per line, it is possible that both VSYNC pulses occur during the low period of H50. The result is that no frame reset pulse is generated. In the case of a VSYNC pulse occurring shortly after the rising edge of H50 and less than the nominal number of 768 pixels per line it is possible that every VSYNC pulse will generate a frame reset pulse. To prevent this happening the position of H50 is adjustable in increments of 12 clock cycles. The adjustment value is selected using the Odd/Even Align Register.

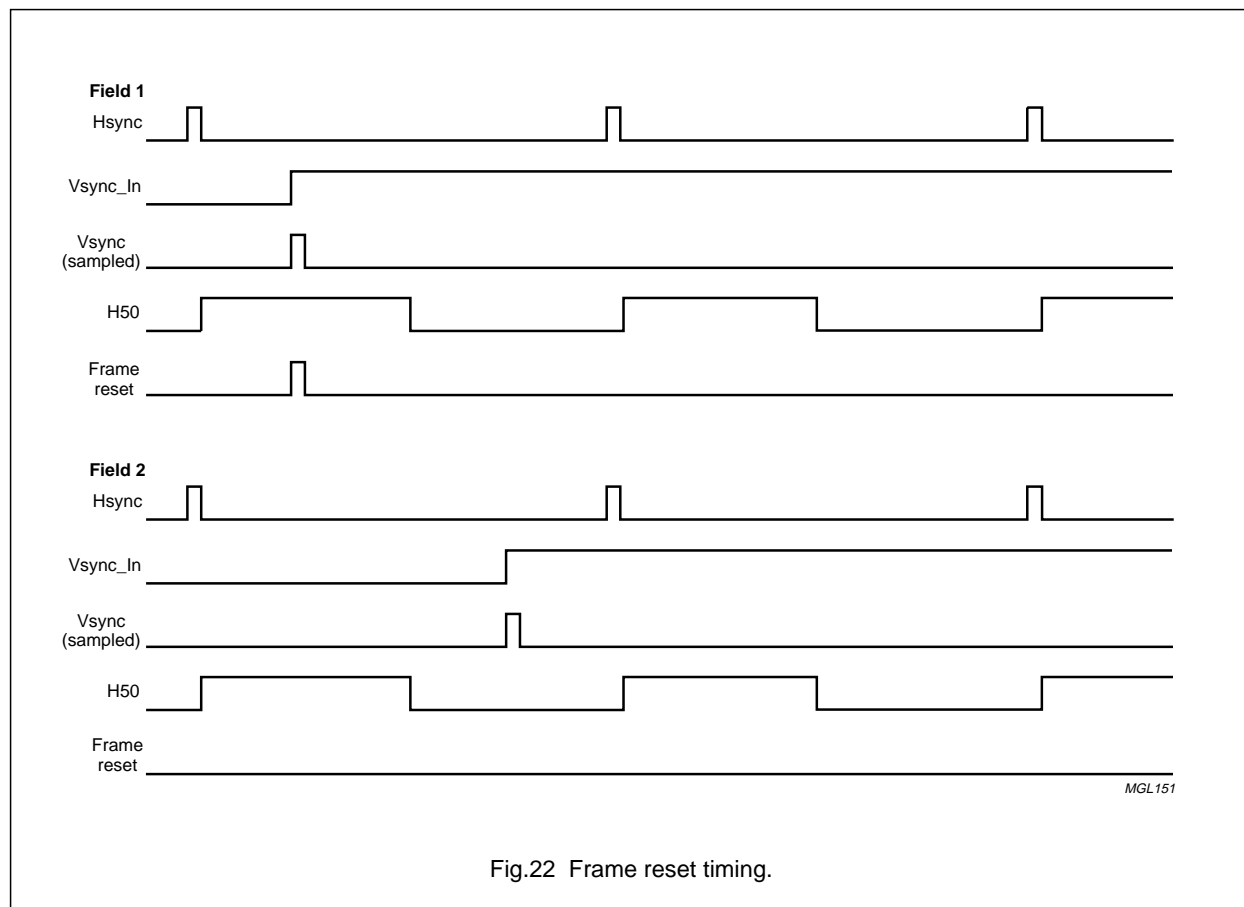


Fig.22 Frame reset timing.

Microcontrollers for NTSC TVs with On-Screen Display (OSD) and Closed Caption (CC)

P8xCx70 family

18.9 Register descriptions

All registers are read/writable. When the registers are read a value will be returned that will correspond to the written data. There is one exception; when the Status Register is read, status information will be returned.

18.9.1 DISPLAY CONTROL REGISTER (DCR)

Table 75 Display Control Register (address 87F0H)

7	6	5	4	3	2	1	B0
SRC3	SRC2	SRC1	SRC0	FLF	MSH	MOD1	MOD0

Table 76 Description of DCR bits

BIT	SYMBOL	DESCRIPTION
7	SCR3	Screen colour. These 4 bits select the screen colour; one of 16 colours may be selected; see Table 59.
6	SCR2	
5	SCR1	
4	SCR0	
3	FLF	Flash frequency. The state of this bit determines the flash frequency of the screen. A frequency of 1 or 2 Hz can be selected; see Table 60.
2	MSH	Meshing. If MSH = 1, meshing is selected. See Section 18.2.12.
1	MOD1	Display modes. These 2 bits select one of the four display modes: Video mode, Full Text mode, Mixed Screen mode and Mixed Video mode; see Table 56.
0	MOD0	

18.9.2 TEXT VERTICAL POSITION REGISTER (TVPR)

Table 77 Text Vertical Position Register (address 87F1H)

7	6	5	4	3		1	0
VPOL	HPOL	VOL5	VOL4	VOL3	VOL2	VOL1	VOL0

Table 78 Description of TVPR bits

BIT	SYMBOL	DESCRIPTION
7	VPOL	Vertical sync polarity. The state of this bit determines whether the vertical sync input is inverted or not; see Table 74.
6	HPOL	Horizontal sync polarity. The state of this bit determines whether the horizontal sync input is inverted or not; see Table 74.
5	VOL5	Vertical offset. These 6 bits select the number of lines that the text area is offset vertically; see Table 72.
4	VOL4	
3	VOL3	
2	VOL2	
1	VOL1	
0	VOL0	

Microcontrollers for NTSC TVs with On-Screen Display (OSD) and Closed Caption (CC)

P8xCx70 family

18.9.3 TEXT HORIZONTAL POSITION REGISTER (THPR)

Table 79 Text Horizontal Position Register (address 87F2H)

7	6	5	4	3	2	1	0
HOP1	HOP0	TAS5	TAS4	TAS3	TAS2	TAS1	TAS0

Table 80 Description of THPR bits

BIT	SYMBOL	DESCRIPTION
7	HOP1	Fine horizontal offset. These 2 bits select a fine offset, ranging from 0 to 3 quarter characters; see Table 71.
6	HOP0	
5	TAS5	Text area start. These 6 bits select an offset of 0 to 63 full-width characters; see Table 70.
4	TAS4	
3	TAS3	
2	TAS2	
1	TAS1	
0	TAS0	

18.9.4 FRINGING CONTROL REGISTER (FCR)

Table 81 Fringing Control Register (address 87F3H)

7	6	5	4	3	2	1	0
FRC3	FRC2	FRC1	FRC0	FRDN	FRDE	FRDS	FRDW

Table 82 Description of FCR bits

BIT	SYMBOL	DESCRIPTION
7	FRC3	Fringing colour. These 4 bits select the fringing colour. One of 16 colours can be specified; see Table 58.
6	FRC2	
5	FRC1	
4	FRC0	
3	FRDN	Fringing directions. The fringing direction is selected by setting one of these bits to a logic 1. For example, when FRDN = 1, the fringing direction is North. See Table 57.
2	FRDE	
1	FRDS	
0	FRDW	

Microcontrollers for NTSC TVs with On-Screen Display (OSD) and Closed Caption (CC)

P8xCx70 family

18.9.5 TEXT AREA END REGISTER (TAER)

Table 83 Text Area End Register (address 87F4H)

7	6	5	4	3	2	1	0
–	–	TAE5	TAE4	TAE3	TAE2	TAE1	TAE0

Table 84 Description of TAER bits

BIT	SYMBOL	DESCRIPTION
7	–	These 2 bits are reserved.
6	–	
5	TAE5	Text area end. These 6 bits assist in defining the width of the text area. The actual text area width is the difference between the horizontal offset and the value specified by these 6 bits; see Table 73.
4	TAE4	
3	TAE3	
2	TAE2	
1	TAE1	
0	TAE0	

18.9.6 SOFT SCROLL AREA CONTROL REGISTER (SSACR)

Table 85 Soft Scroll Area Control Register (address 87F5H)

7	6	5	4		2	1	0
SSH3	SSH2	SSH1	SSH0	SSP3	SSP2	SSP1	SSP0

Table 86 Description of SSACR bits

BIT	SYMBOL	DESCRIPTION
7	SSH3	Soft scroll area height. These 4 bits determine the visible scroll area height. One of 16 rows may be specified; see Table 64.
6	SSH2	
5	SSH1	
4	SSH0	
3	SSP3	Soft scroll area position. These 4 bits specify the top display row of the soft scroll area. One of 16 rows may be specified; see Table 63.
2	SSP2	
1	SSP1	
0	SSP0	

Microcontrollers for NTSC TVs with On-Screen Display (OSD) and Closed Caption (CC)

P8xCx70 family

18.9.7 SCROLL ROWS RANGE REGISTER (SRRR)

Table 87 Scroll Rows Range Register (address 87F6H)

7	6	5	4	3	2	1	0
SPS3	SPS2	SPS1	SPS0	STS3	STS2	STS1	STS0

Table 88 Description of SRRR bits

BIT	SYMBOL	DESCRIPTION
7	SPS3	Stop scroll row. These 4 bits select the row number at which scrolling will stop. One of 16 rows can be specified; see Table 66.
6	SPS2	
5	SPS1	
4	SPS0	
3	STS3	Start scroll row. These 4 bits select the row number at which scrolling will begin. One of 16 rows can be specified; see Table 65.
2	STS2	
1	STS1	
0	STS0	

18.9.8 RGB BRIGHTNESS REGISTER (BR)

Table 89 RGB Brightness Register (address 87F7H)

7	6	5	4	3	2	1	0
FBPOL	–	–	–	BRI3	BRI2	BRI1	BRI0

Table 90 Description of BR bits

BIT	SYMBOL	DESCRIPTION
7	FBPOL	Fast Blanking polarity. The state of this bit determines whether the polarity of the Fast Blanking signal (FBL) is inverted or not; see Table 51.
6	–	These 3 bits are reserved.
5	–	
4	–	
3	BRI3	Brightness value. These 4 bits select the brightness value of the RGB output voltages. One of 16 brightness values can be selected; see Table 52.
2	BRI2	
1	BRI1	
0	BRI0	

Microcontrollers for NTSC TVs with On-Screen Display (OSD) and Closed Caption (CC)

P8xCx70 family

18.9.9 STATUS REGISTER (SR)

A status register is provided that holds information that the processor can use to regulate the way data is written into the display unit. The register is split into a read only and write only register. Both use the same address.

Table 91 Status Register (address 87F8H); read only

7	6	5	4	3	2	1	0
BUSY	–	FIELD	SCRL	SCR3	SCR2	SCR1	SCR0

Table 92 Description of SR bits

BIT	SYMBOL	DESCRIPTION
7	BUSY	Character display active or vertical sync. If BUSY = 0, this indicates that the processor can access the display unit without causing effects on the screen. The lead time is 4 ms, this is implemented to allow the microcontroller to finish the current access to the display memory. Two modes are provided to switch between the text horizontal blank area or vertical blank area.
6	–	Random information.
5	FIELD	1st or 2nd Field of vertical frame.
4	SCRL	Scroll busy. If SCRL = 1, this bit indicates that the scroll function is in progress. When this bit is set, the automatic scroll function is started. It is automatically cleared on completion. If forced to a logic 0, the scroll function will be terminated as if all lines were scrolled. Subsequent logic 0 writes will cause the scroll row to increment by one.
3	SCR3	First scroll row select. The value specified by these 4 bits selects the actual row that is the first one to be displayed in the scroll area. This value is modified by the automatic scroll function.
2	SCR2	
1	SCR1	
0	SCR0	

Microcontrollers for NTSC TVs with On-Screen Display (OSD) and Closed Caption (CC)

P8xCx70 family

Table 93 Status Register (address 87F8H); write only

7	6	5	4	3	2	1	0
–	H/V	SCON	SCRL	–	–	–	–

Table 94 Description of SR bits

BIT	SYMBOL	DESCRIPTION
7	–	This bit is not used and causes no action.
6	H/V	Busy signal switch horizontal/vertical. If H/V = 0, horizontal blank area selected. If H/V = 1, vertical blank area selected.
5	SCON	Scroll area enabled. If SCON = 1, then the scroll area is enabled. See Section 18.5.1.2.
4	SCRL	Start scroll. If SCRL = 1, this bit indicates that the scroll function is in progress. When this bit is set, the automatic scroll function is started. It is automatically cleared on completion. If forced to a logic 0, the scroll function will be terminated as if all lines were scrolled. Subsequent logic 0 writes will cause the scroll row to increment by one.
3	–	These 4 bits are not used and cause no action.
2	–	
1	–	
0	–	

18.9.10 HSYNC DELAY REGISTER (HSDR)

Table 95 HSYNC Delay Register (address 87FCH)

7	6	5	4	3	2	1	0
–	HSD6	HSD5	HSD4	HSD3	HSD2	HSD1	HSD0

Table 96 Description of HSDR bits

BIT	SYMBOL	DESCRIPTION
7	–	reserved
6	HSD6	HSYNC delay. These 7 bits allow the position of the HSYNC pulse to be changed in increments of full width characters. A delay of 0 to 63 full width characters can be selected.
5	HSD5	
4	HSD4	
3	HSD3	
2	HSD2	
1	HSD1	
0	HSD0	

Microcontrollers for NTSC TVs with On-Screen Display (OSD) and Closed Caption (CC)

P8xCx70 family

18.9.11 ODD/EVEN ALIGN REGISTER (OEAR)

Table 97 Odd/Even Align Register (87FDH)

7	6	5	4	3	2	1	0
–	OEA6	OEA5	OEA4	OEA3	OEA2	OEA1	OEA0

Table 98 Description of OEAR bits

BIT	SYMBOL	DESCRIPTION
7	–	reserved
6	OEA6	H50 delay. These 7 bits allow the position of the H50 pulse to be changed in increments of 12 clock pulses.
5	OEA5	
4	OEA4	
3	OEA3	
2	OEA2	
1	OEA1	
0	OEA0	

Microcontrollers for NTSC TVs with On-Screen Display (OSD) and Closed Caption (CC)

P8xCx70 family

18.9.12 CONFIGURATION REGISTER (CONFR)

The Configuration Register is provided for special purposes and to program the delay between the RGB and FBL output.

Table 99 Configuration Register (address 87FFH)

7	6	5	4	3	2	1	0
CC	PLUS	ADJ	MIN	–	–	–	–

Table 100 Description of CONFR bits

BIT	SYMBOL	DESCRIPTION
7	CC	Closed Caption mode. The state of this bit selects the OSD mode or the CC mode. If CC = 0, then the OSD mode is selected; this is also the default setting. If CC = 1, then the CC mode is selected. In the CC mode the underline is suppressed during the display of a serial attribute. The display is then according to the CC specification.
6	PLUS	FBL delay select. These 3 bits define the timing of the FBL signal; see Table 101.
5	ADJ	
4	MIN	
3	–	Reserved, set to logic 0.
2	–	These 3 bits are used for test purposes only and should be set to logic 0s for normal operation.
1	–	
0	–	

Table 101 FBL delay adjustment

PLUS	ADJ	MIN	FBL TIMING
0	0	0	FBL switched to video, not active.
0	0	1	FBL active one pixel early to RGB.
0	1	0	FBL synchronous with RGB (typical setting).
1	0	0	FBL active one pixel delayed to RGB.
X	X	X	All other combinations are allowed and will have the effect that the above settings are functionally ORed, e.g. '111' will result in a 3 pixel wide FBL pulse when one single pixel is displayed.

Microcontrollers for NTSC TVs with On-Screen Display (OSD) and Closed Caption (CC)

P8xCx70 family

18.10 Character font format

The character font is a 12 (horizontal) x 13 (vertical) matrix. The ROM contents have two extra lines in each field to facilitate the fringing function when groups of characters are used to build symbols.

A table with 128 characters, two columns of special characters (32) and a column for proportional spaced characters (16) is shown in Fig.27.

The ROM size is 176 characters x 12 x 16 = 33792 bits (4224 bytes, 2816 x 12-bit words).

18.10.1 CHARACTER ROM FORMAT

The character addressing scheme is dependent on what type of character is accessed. Therefore, the ROM format for the different columns changes respectively.

The ROM format is 16 locations in words of 12 bits, where the MSB (bit 11) of the ROM word is the left most pixel of a character displayed.

The lines 0 and 14 are used for fringing of clustered characters (single images using more than one character) over row boundaries. Lines 1 to 13 contain the font of the character and line 15 is not used.

The proportional spaced characters use only bits 11 to 6 for display. Bits 5 to 0 are defined by repeating the information held in bits 11 to 6 shifted up one line. The ROM definition for these characters is shown in Fig.24. Proportional characters can be displayed in column A only.

The ROM format for the special characters uses two subsequent character ROM locations. The character definition will always start with an even character. This location holds the information for bit Plane 0 the next location (odd) contains the bit Plane 1. No shadowing is supported when using these characters. The bit combinations of Plane 0 and Plane 1 define which colour is displayed for a certain pixel. A detailed description on how these characters are displayed is found in Section 18.2.16.

The ROM format for each plane is defined as stated for the normal characters, except that the data on the fringing lines is ignored.

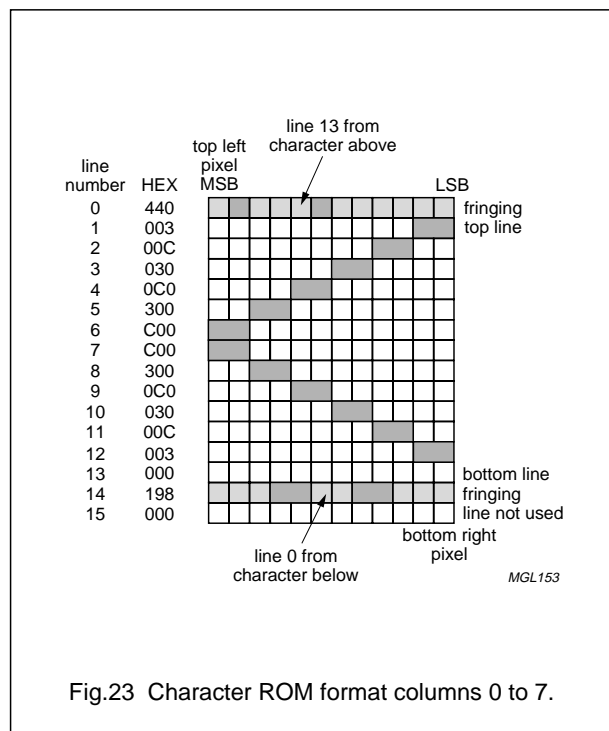
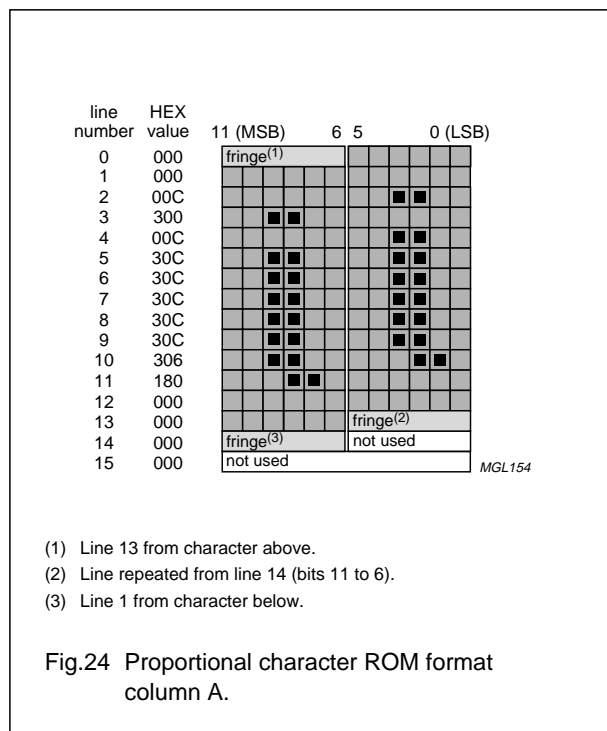


Fig.23 Character ROM format columns 0 to 7.



- (1) Line 13 from character above.
- (2) Line repeated from line 14 (bits 11 to 6).
- (3) Line 1 from character below.

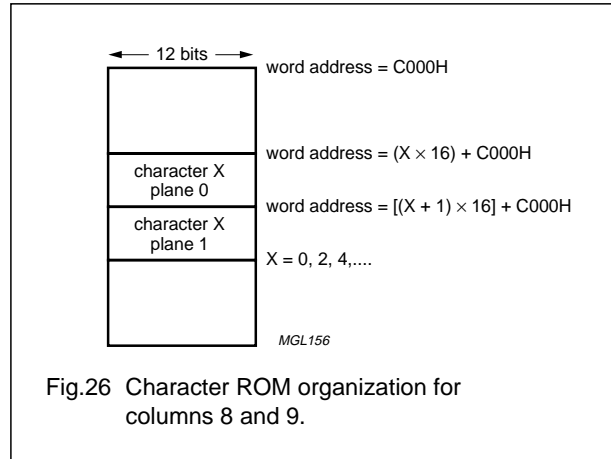
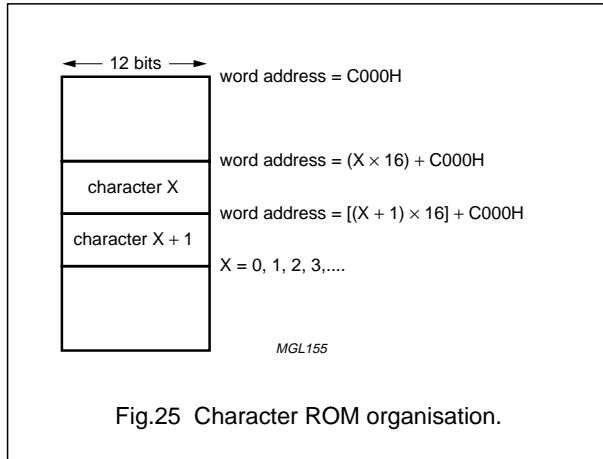
Fig.24 Proportional character ROM format column A.

Microcontrollers for NTSC TVs with On-Screen Display (OSD) and Closed Caption (CC)

P8xCx70 family

18.10.2 ROM ADDRESSING

Figures 25 and 26 illustrate the addressing schemes used to access the different character formats. Figure 25 shows the ROM organization of the normal and proportional spaced characters and Fig.26 shows the ROM organization of the special characters. The address calculation is on the basis of word access. If the CPU accesses the ROM, a two byte access must be performed to capture the data, the data format is according to the definition in Fig.19.



Character code columns (bits 4 to 7)

	0	1	2	3	4	5	6	7	8 (B)	9 (C)	A (D)
0		®	SP	0	@	P	ú	p			
1		°	!	1	A	Q	a	q			
2		1/2	"	2	B	R	b	r			
3		¿	#	3	C	S	c	s			
4		™	\$	4	D	T	d	t			
5		¢	%	5	E	U	e	u			
6		£	&	6	F	V	f	v			
7		♪	'	7	G	W	g	w			
8		à	(8	H	X	h	x			
9		—)	9	I	Y	i	y			
A		è	á	:	J	Z	j	z			
B		â	+	;	K	[k	ç			
C		ê	,	<	L	é	l				
D		î	-	=	M]	m	Ñ			
E		ô	.	>	N	í	n	ñ			
F		û	/	?	O	ó	o	n			

MGR275

Fig.27 Character table.

Microcontrollers for NTSC TVs with On-Screen Display (OSD) and Closed Caption (CC)

P8xCx70 family

19 MEMORY DATA BIT ALLOCATION

Table 102 Register map bit allocation

ADDR.	REGISTER NAME	7	6	5	4	3	2	1	0
87F0H	Display Control	SRC3	SRC2	SRC1	SRC0	FLF	MSH	MOD1	MOD0
87F1H	Text Vertical Position	VPOL	HPOL	VOL5	VOL4	VOL3	VOL2	VOL1	VOL0
87F2H	Text Horizontal Position	HOP1	HOP0	TAS5	TAS4	TAS3	TAS2	TAS1	TAS0
87F3H	Fringing Control	FRC3	FRC2	FRC1	FRC0	FRDN	FRDE	FRDS	FRDW
87F4H	Text Area End	–	–	TAE5	TAE4	TAE3	TAE2	TAE1	TAE0
87F5H	Scroll Area	SSH3	SSH2	SSH1	SSH0	SSP3	SSP2	SSP1	SSP0
87F6H	Scroll Range	SPS3	SPS2	SPS1	SPS0	STS3	STS2	STS1	STS0
87F7H	RGB Brightness	FBPOL	–	–	–	BRI3	BRI2	BRI1	BRI0
87F8H	Status (read)	BUSY	–	FIELD	SCRL	SCR3	SCR2	SCR1	SCR0
87F8H	Status (write)	–	H/V	SCON	SCRL	–	–	–	–
87FCH	HSYNC Delay	–	HSD6	HSD5	HSD4	HSD3	HSD2	HSD1	HSD0
87FDH	Odd/Even Align	–	OEA6	OEA5	OEA4	OEA3	OEA2	OEA1	OEA0
87FEH	Reserved	–	–	–	–	–	–	–	–
87FFH	Configuration Register	CC	PLUS	ADJ	MIN	–	–	–	–

Table 103 Memory data/bit allocation

ODD BYTE BITS 3 TO 0				EVEN BYTE BITS 7 TO 0							
B11	B10	B9	B8	B7	B6	B5	B4	B3	B2	B1	B0
Valid for byte address 8000H to 801FH in display memory: Scroll map											
En.	–	ptr9	ptr8	ptr7	ptr6	ptr5	ptr4	ptr3	ptr2	ptr1	ptr0
Valid for byte address 8020H to 8460H in display memory: Display page, first column position											
1 = ser.	1 = at	eof	bgc	for3	box	vert. sync	hor.sync	back3	back2	back1	back0
Valid for byte address 8020H to 8460H in display memory: Display page, all columns											
0 = par.	for3	for2	for1	chr7	chr6	chr5	chr4	chr3	chr2	chr1	chr0
1 = ser.	0 = at	fringing	italic	flash	box	overline	underline	back3	back2	back1	back0
Valid for byte address 8020H to 8460H in display memory: Display page, all columns except first position											
1 = ser.	1 = after	eof	bgc	for3	box	overline	underline	back3	back2	back1	back0
Valid for byte address 8700H to 871FH: CLUT											
red3	red2	red1	red0	green3	green2	green1	green0	blue3	blue2	blue1	blue0

19.1 Interfaces

19.1.1 RGB AND BLANKING OUTPUT

The RGB outputs are analog signals derived from a DAC. The output impedance depends on the switched value, but is low enough to drive the colour decoder.

The polarity and the delay between RGB outputs and the blanking output is programmable. The default setting is active HIGH (RGB on).

Microcontrollers for NTSC TVs with On-Screen Display (OSD) and Closed Caption (CC)

P8xCx70 family

20 PROGRAMMER

The P87Cx70 OTP contains two EPROM modules, one 64-kbyte system EPROM and one 8-kbyte character EPROM.

Users can program or verify both system and character EPROM with a PC using Intel HEX format.

20.1 EPROM Interface

Port 0 and Port 2 are used as the 16-bit address bus; Port 0 for the higher address byte and Port 2 for the lower address byte. Port 3 is used as an 8-bit bidirectional data bus during programming and verify operations.

For control signals, $\overline{ALE}/\overline{PROG}$ is used as the write strobe (\overline{WE}) and P1.0 is used as the output enable (\overline{OE}). Pin 28 is the programming voltage (V_{PP}) input and requires 12.75 V during the Programming mode and 5 V during the Verification mode. The required input on the RESET, \overline{PSEN} and P1.0 to P1.4 pins is dependent upon the mode selected.

Signal states for the three modes are specified in Table 104 and the timing characteristics of these signals are detailed in Section 20.5.

20.2 OTP application mode

The OTP application mode consists of two major sub-modes: Programming mode and Verify mode.

The pin assignment during OTP programming and verification operations is specified in Table 105.

20.2.1 PROGRAMMING MODE

The Programming mode performs three operations: main 64-kbyte OTP, extra row programming and select two bytes programming.

The main 64-kbyte OTP operation is the core function of programming. The customer can program the software using an EPROM writer. Extra row programming is similar to test ROM in mask ROM and can be used to store production IDs, testing patterns etc. The select two bytes programming operation is used to speed up the programming of the checker board.

The Programming configuration is shown in Fig.28.

20.2.2 VERIFY MODE

The Verify mode performs two operations: Program verify and Extra row read. The program verify operation checks that the value programmed is correct. The Extra row read mode is similar to the Program verify mode and ensures that the extra row programming is correct.

The Program verification configuration is shown in Fig.29.

20.3 Programming format for character EPROM

The character EPROM programming data format contains 12-bit OSD data for each character row; 4 bits from OSDH and 8 bits from OSDL. The encoding sequence is shown in Fig.30.

The address range of the 8-kbyte character EPROM is from C000H to DFFFH.

20.4 Programming format for system EPROM

The system EPROM format is the same as for normal EPROM and is programmed sequentially using Intel Hex format.

The address range of the 64-kbyte system EPROM is from 0000H to FFFFH.

Table 104 OTP function table

OPERATION MODE	RESET	\overline{PSEN}	$\overline{ALE}/\overline{WE}$	\overline{EA}/V_{PP}	P1.3	P1.2	P1.1	P1.0/ \overline{OE}
Programming	1	0	LOW pulse	V_{PP}	1	1	1	H
Program verify	1	0	H	V_{DD}	1	1	1	LOW pulse
2-byte programming	1	0	LOW pulse	V_{PP}	0	0	1	H

Microcontrollers for NTSC TVs with On-Screen Display (OSD) and Closed Caption (CC)

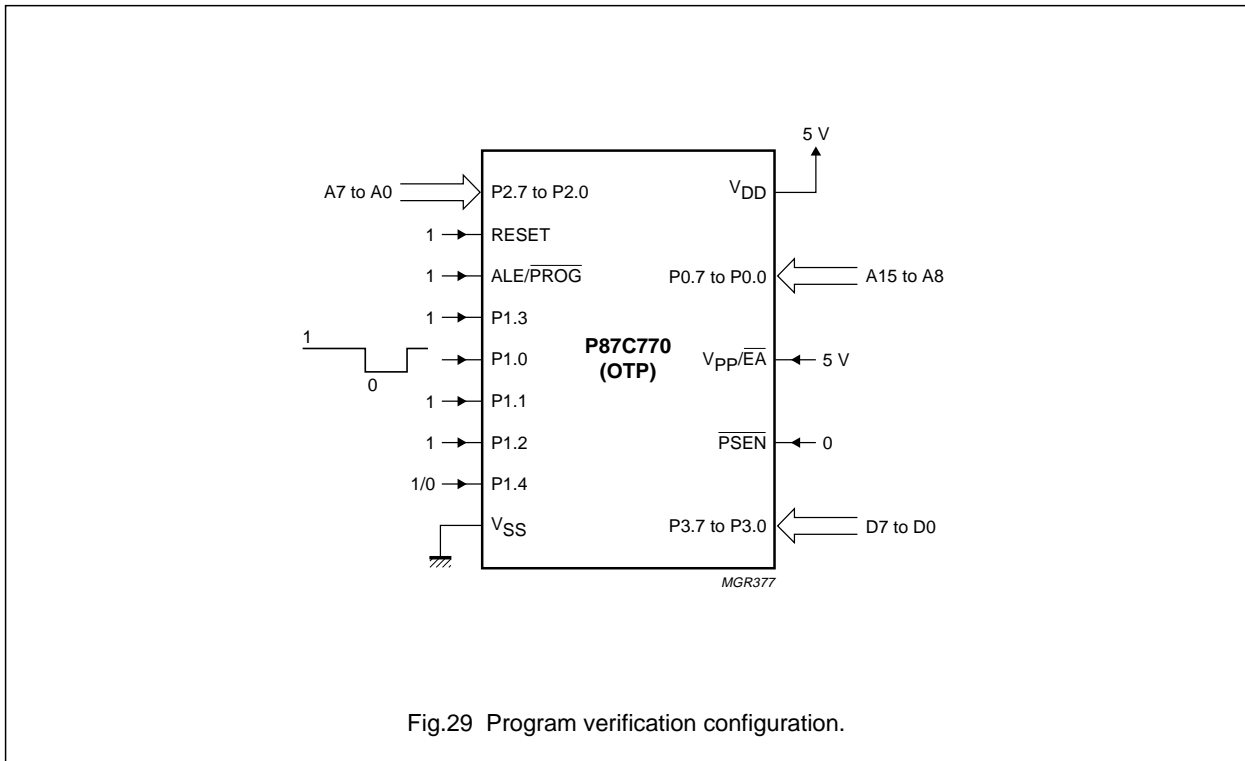
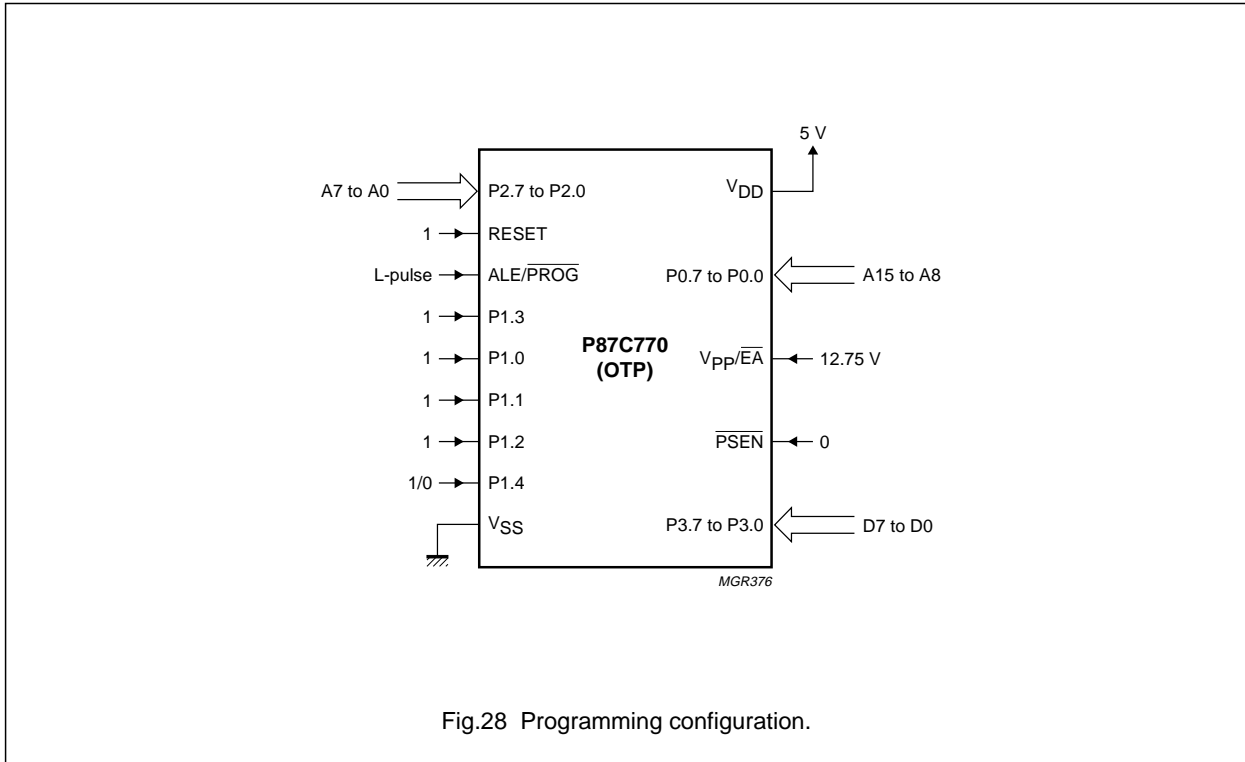
P8xCx70 family

Table 105 Pin assignment during programming and verification operations

SYMBOL	PIN	SYSTEM EPROM	OSD EPROM
P0.0	1	A8	A8
P0.1	2	A9	A9
P0.2	3	A10	A10
P0.3	4	A11	A11
P0.4	5	A12	A12
P0.5	6	A13	(LOW)
P0.6	7	A14	(HIGH)
P0.7	8	A15	(HIGH)
P1.0	9	\overline{OE}	\overline{OE}
P1.1	10	OTP SEL0	OTP SEL0
P1.2	11	OTP SEL1	OTP SEL1
P1.3	12	OTP SEL2	OTP SEL2
P1.4	30	(LOW)	(HIGH)
P2.0	21	A0	A0
P2.1	20	A1	A1
P2.2	19	A2	A2
P2.3	18	A3	A3
P2.4	17	A4	A4
P2.5	16	A5	A5
P2.6	15	A6	A6
P2.7	14	A7	A7
P3.0	45	D0	D0
P3.1	46	D1	D1
P3.2	47	D2	D2
P3.3	48	D3	D3
P3.4	49	D4	D4
P3.5	50	D5	D5
P3.6	51	D6	D6
P3.7	52	D7	D7
$\overline{ALE/PROG}$	29	\overline{WE}	\overline{WE}
V_{PP}/\overline{EA}	28	V_{PP}	V_{PP}
RST	43	(HIGH)	(HIGH)
\overline{PSEN}	27	(LOW)	(LOW)

Microcontrollers for NTSC TVs with On-Screen Display (OSD) and Closed Caption (CC)

P8xCx70 family



Microcontrollers for NTSC TVs with On-Screen Display (OSD) and Closed Caption (CC)

P8xCx70 family

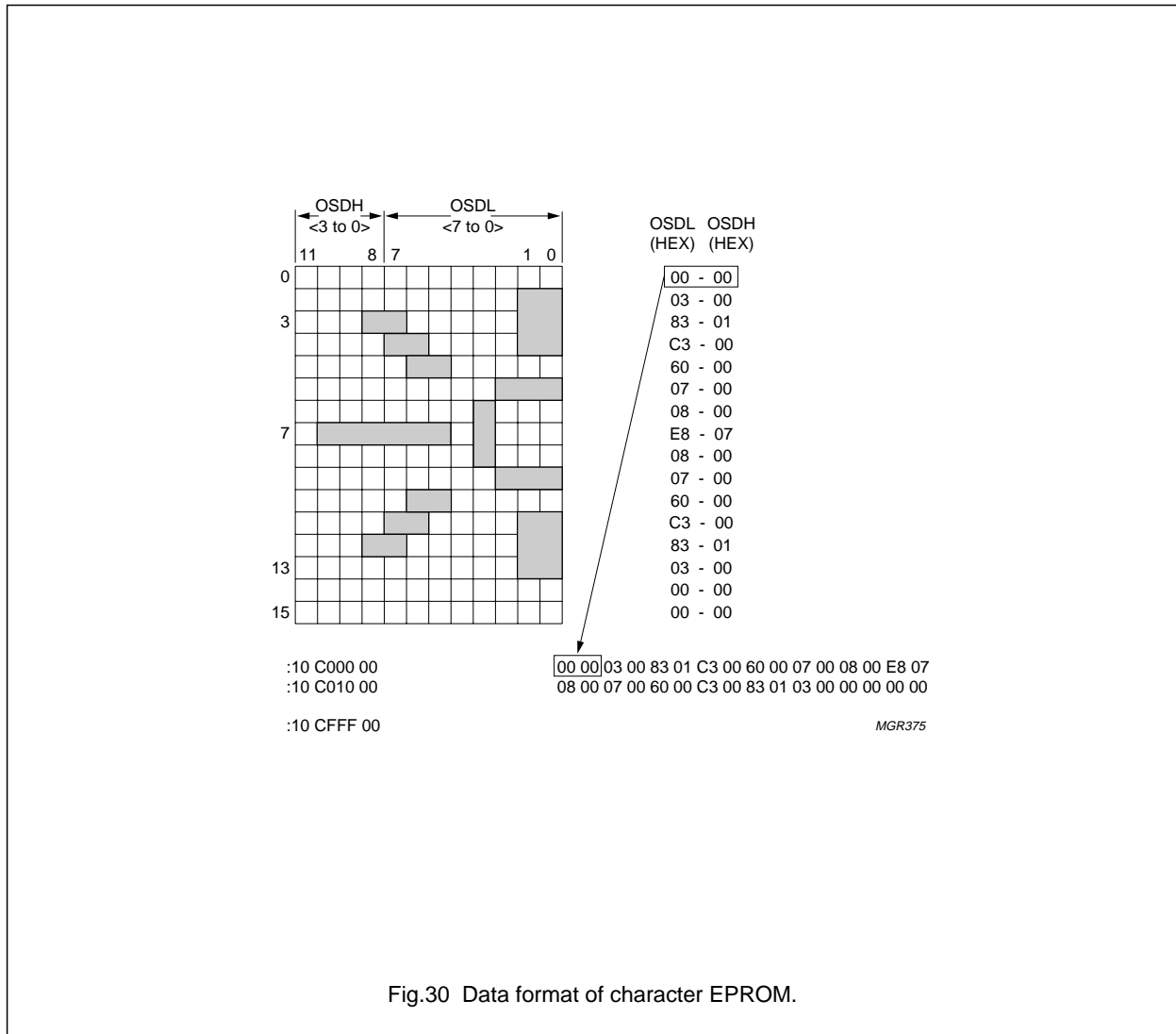


Fig.30 Data format of character EPROM.

Microcontrollers for NTSC TVs with On-Screen Display (OSD) and Closed Caption (CC)

P8xCx70 family

20.5 EPROM timing characteristics

Table 106 EPROM programming timing

SYMBOL	PARAMETER	MIN.	TYP.	MAX.	UNIT
$t_{su(A)}$	address set-up time	2	–	–	μs
$t_{h(A)}$	address hold time	20	–	–	ns
$t_{su(OE)}$	output enable set-up time	2	–	–	μs
$t_{su(CE)}$	chip enable set-up time	2	–	–	μs
$t_{W(P)}$	program pulse width (typically 5 programming pulses)	95	100	105	μs
$t_{su(PV)}$	program voltage set-up time	2	–	–	μs
$t_{h(WE)}$	write enable hold time	110	–	–	ns
$t_{su(D)}$	data set-up time	2	–	–	μs
$t_{h(D)}$	data hold time	20	–	–	ns
$t_{W(OE)}$	output enable pulse width	300	–	–	ns
$t_{ACC(OE)}$	output enable access verify	92	122	183	ns
t_{OZ}	output to high-impedance verify	10	–	–	ns

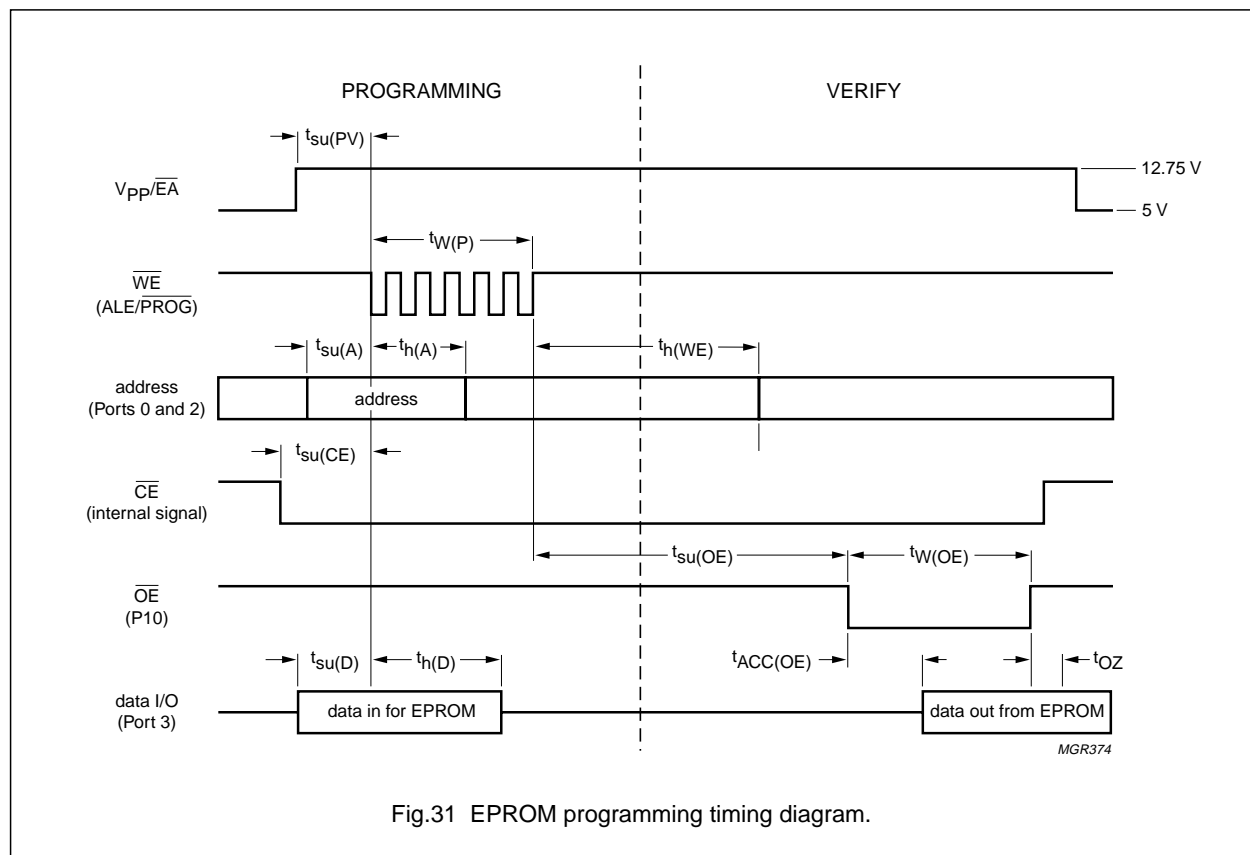


Fig.31 EPROM programming timing diagram.

Microcontrollers for NTSC TVs with On-Screen Display (OSD) and Closed Caption (CC)

P8xCx70 family

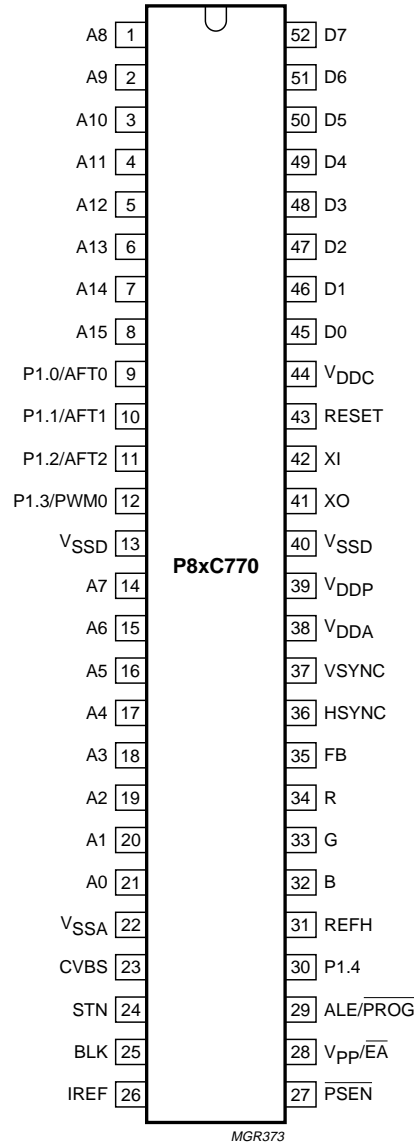


Fig.32 Programming pinning configuration.

Microcontrollers for NTSC TVs with On-Screen Display (OSD) and Closed Caption (CC)

P8xCx70 family

Table 107 Programming configuration pin descriptions

SYMBOL	PIN	I/O	DESCRIPTION
P0.0 to P0.7	1 to 8	I/O	address lines A8 to A15
P1.0/AFT0	9	I/O	Port line P1.0; alternative function as 4-bit AFT0 input
P1.1/AFT1	10	I/O	Port line P1.1; alternative function as 4-bit AFT1 input
P1.2/AFT2	11	I/O	Port line P1.2; alternative function as 4-bit AFT2 input
P1.3/PWM0	12	I/O	Port line P1.3 (open-drain, bidirectional); alternative function as 7-bit PWM output
V _{SSD}	13	–	digital ground
P2.7 to P2.0	14 to 21	I/O	address lines A7 to A0
V _{SSA}	22	–	analog ground
CVBS	23	I	composite video input
STN	24	I	Data Slicer decoupling capacitor input, connect to V _{SSA} via a 100 nF capacitor.
BLK	25	I	CVBS signal black level reference, connect to V _{SSA} via a 100 nF capacitor.
IREF	26	I	CVBS signal reference current input, connect to V _{SSA} via a 27 kΩ resistor.
$\overline{\text{PSEN}}$	27	O	Program Store Enable (active LOW) is bonded out for testing purpose only.
V _{PP} / $\overline{\text{EA}}$	28	I	External Access (active LOW) is bonded out for testing purpose only; this pin is also used for the 12.75 V programming voltage supply in program/font OTP programming modes.
ALE/ $\overline{\text{PROG}}$	29	I/O	Address Latch Enable is bonded out for testing purposes only; this pin is also used for programming pulses input in program/font OTP programming modes.
P1.4	30	I/O	Port line P1.4 (open-drain, bidirectional)
REFH	31	I	Data Slicer reference high capacitor input, connect to V _{SSA} via a 100 nF capacitor.
B	32	O	CC/OSD Blue colour current output
G	33	O	CC/OSD Green colour current output
R	34	O	CC/OSD Red colour current output
FB	35	O	CC/OSD fast blanking output
HSYNC	36	I	TV horizontal sync input (for OSD synchronization)
VS _Y NC	37	I	TV vertical sync input (for OSD synchronization)
V _{DDA}	38	–	5 V analog power supply
V _{DDP}	39	–	5 V digital power supply
V _{SSD}	40	I	digital ground
XO	41	O	system oscillator crystal output
XI	42	I	system oscillator crystal input
RESET	43	I	reset input (active HIGH)
V _{DDC}	44	–	5 V digital power supply
P3.0 to P3.7	45 to 52	I/O	data I/O lines, D0 to D7

Microcontrollers for NTSC TVs with On-Screen Display (OSD) and Closed Caption (CC)

P8xCx70 family

21 LIMITING VALUES

SYMBOL	PARAMETER	CONDITIONS	MIN.	MAX.	UNIT
V_{DD}	supply voltage		-0.5	+7.0	V
V_i	input voltage on any pin with respect to ground (V_{SS})		-0.5	$V_{DD} + 0.5$	V
P_{tot}	total power dissipation		-	700	mW
T_{stg}	storage temperature		-55	+125	°C
T_{amb}	operation ambient temperature		-20	+70	°C
V_{esd}	electrostatic protection HBM	leakage < 1 μ A	-2000	+2000	V
	electrostatic protection MM	leakage < 1 μ A	-250	+250	V

22 DC CHARACTERISTICS

$V_{DD} = 4.5$ to 5.5 V; $V_{SS} = 0$ V; $T_{amb} = -20$ to $+70$ °C. All voltages with respect to V_{SS} , unless otherwise specified.

SYMBOL	PARAMETER	CONDITIONS	MIN.	TYP.	MAX.	UNIT
Supply						
V_{DDC}	digital core supply voltage		4.5	5.0	5.5	V
I_{DDC}	digital supply current		-	47	-	mA
V_{DDP}	peripheral supply voltage		4.5	5.0	5.5	V
I_{DDP}	peripheral supply current		-	20	-	mA
V_{DDA}	analog supply voltage		4.5	5.0	5.5	V
I_{DDA}	analog supply current		-	9	-	mA
Ports 1, 2 and 3 inputs						
V_{IL}	LOW-level input voltage		0	-	$0.3V_{DD}$	V
V_{IH}	HIGH-level input voltage		$0.7V_{DD}$	-	V_{DD}	V
I_{LI}	input leakage current	$V_{SS} < V_i < V_{DD}$	-10	-	+10	μ A
Ports 1, 2 and 3 outputs (open-drain)						
V_{OL}	LOW-level output voltage	$I_{OL} = 3$ mA	-	-	0.4	V
Port 2 outputs						
V_{OL}	LOW-level output voltage	$I_{OL} = 3$ mA	-	-	0.4	V
		$I_{OL} = 10$ mA	-	-	1	V
ALE, \overline{PSEN} and \overline{EA} inputs						
V_{IL}	LOW-level input voltage		0	-	$0.3V_{DD}$	V
V_{IH}	HIGH-level input voltage		$0.7V_{DD}$	-	V_{DD}	V
ALE, \overline{PSEN} and \overline{EA} outputs (open-drain)						
V_{OL}	LOW-level output voltage	$I_{OL} = 3$ mA	-	-	0.4	V
		$I_{OL} = 10$ mA	-	-	1	V

Microcontrollers for NTSC TVs with On-Screen Display (OSD) and Closed Caption (CC)

P8xCx70 family

SYMBOL	PARAMETER	CONDITIONS	MIN.	TYP.	MAX.	UNIT
AFT inputs: P1.0/AFT0, P1.1/AFT1 and P1.2/AFT2						
V_{ai}	comparator analog input voltage		V_{SS}	–	V_{DD}	V
V_{ae}	conversion error range	P83C770	–0.5	–	+0.5	LSB
		P87C770	–0.7	–	+0.7	LSB
R, G and B outputs (4-bit DAC current source)						
I_{OH}	HIGH-level output source current		–	8.9	–	mA
INL	integral non-linearity		$-\frac{1}{2}$	0	$+\frac{1}{2}$	LSB
DNL	differential non-linearity		$-\frac{1}{2}$	0	$+\frac{1}{2}$	LSB
	matching RGB		$-\frac{1}{2}$	–	$+\frac{1}{2}$	LSB
FB output						
I_{OL}	LOW-level output source current	P83C770; $V_O = 0.4$ V	–	7	–	mA
		P87C770; $V_O = 0.4$ V	–	14	–	mA
I_{OH}	HIGH-level output source current	$V_O = V_{DD} - 0.4$ V	–	5	–	mA
RESET						
V_{IL}	LOW-level input voltage		0	–	$0.3V_{DD}$	V
V_{IH}	HIGH-level input voltage		$0.7V_{DD}$	–	V_{DD}	V
R_{rst}	internal reset pull-down resistor		50	–	200	k Ω
HSYNC and VSYNC inputs						
V_{IL}	LOW-level input voltage		–0.3	–	0.8	V
V_{IH}	HIGH-level input voltage		3.15	–	$V_{DD} + 0.5$	V
I_{LI}	input leakage current	$V_I = 0$ to V_{DD}	–	–	10	μ A
C_{in}	input capacitance		–	–	5	pF
CVBS input						
V_{sync}	sync amplitude		0.1	0.3	0.6	V
$V_{I(vid)}$	video input amplitude (peak-to-peak value)		0.7	1.0	1.4	V
V_{dat}	caption data amplitude		0.25	0.35	0.49	V
Z_{source}	source impedance				250	Ω
V_{in}	input switching level of sync separator		1.8	2.15	2.5	V
Z_i	input impedance		2.5	5	–	k Ω
C_i	input capacitance		–	–	10	pF
IREF input						
R_{IREF}	external resistor to ground		–	27	–	k Ω
V_{IREF}	voltage on pin		–	$0.5V_{DD}$	–	V
Power-on reset						
V_t	trigger level		3.6	3.9	4.2	V

Microcontrollers for NTSC TVs with On-Screen Display (OSD) and Closed Caption (CC)

P8xCx70 family

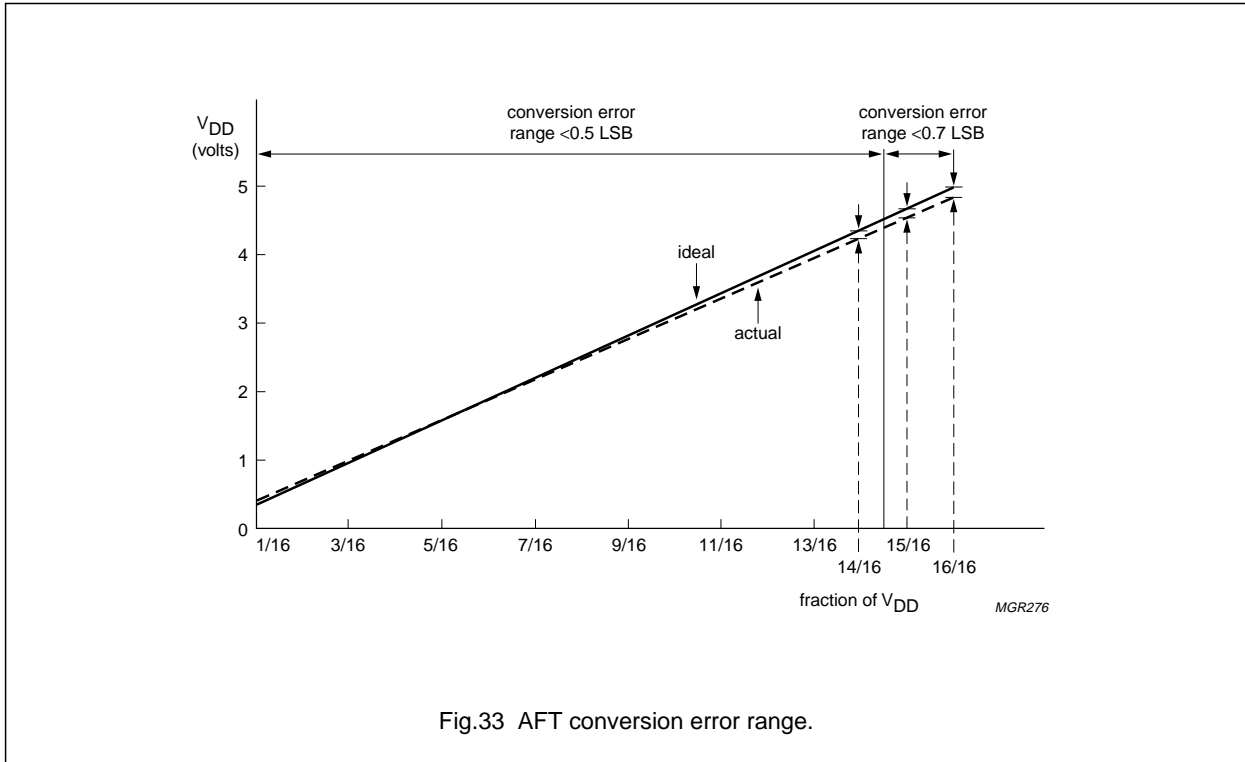


Fig.33 AFT conversion error range.

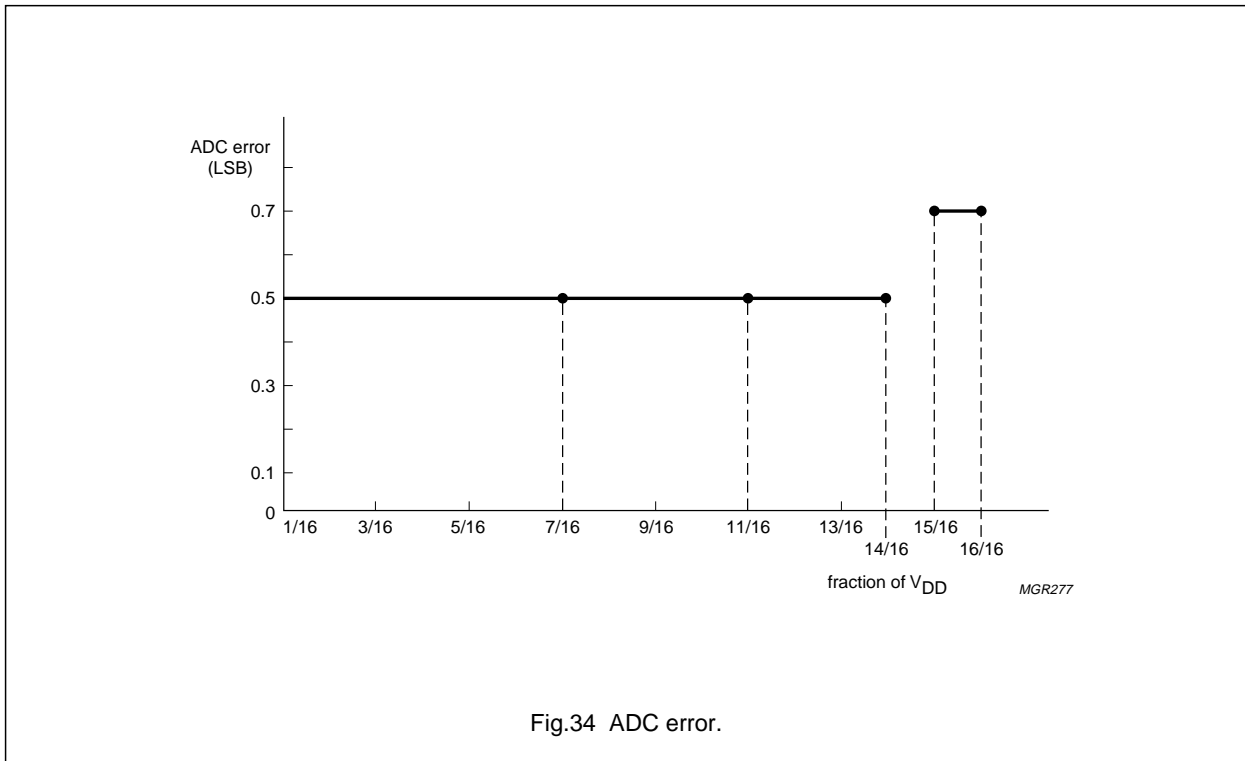


Fig.34 ADC error.

Microcontrollers for NTSC TVs with On-Screen Display (OSD) and Closed Caption (CC)

P8xCx70 family

23 AC CHARACTERISTICS

$V_{DD} = 4.5$ to 5.5 V; $V_{SS} = 0$ V; $T_{amb} = -20$ to $+70$ °C. All voltages with respect to V_{SS} , unless otherwise specified.

SYMBOL	PARAMETER	CONDITIONS	MIN.	TYP.	MAX.	UNIT
Ports 0, 1 and 3 outputs (open-drain)						
$t_{f(o)}$	output fall time	$C_L = 35$ pF; (slope control implemented)	30	–	–	ns
ALE, \overline{PSEN} and \overline{EA} outputs (slope control implemented)						
$t_{r(o)}$	output rise time	$C_L = 40$ pF	–	–	–	ns
$t_{f(o)}$	output fall time	$C_L = 40$ pF	30	–	–	ns
XI and XO						
f_{xtal}	crystal frequency		–	12	–	MHz
AFT inputs: P1.0/AFT0, P1.1/AFT1 and P1.2/AFT2						
$T_{AFT(con)}$	conversion time	$f_{xtal} = 12$ MHz	–	8	–	μ s
FB output						
$t_{r(FB)}$	FB rise time	$C_L = 35$ pF	–	4	–	ns
$t_{f(FB)}$	FB fall time		–	4	–	ns
CVBS Closed Caption behaviour						
	white noise (rms value)		–	–	60	mV
	co-channel interface (peak-to-peak value)		–	–	100	mV_{PP}
	eye height		–	–	55	%
Power-on reset						
T_r	POR response time	at power-on $V_{DD}: 0 \rightarrow 5$ V	5	–	–	μ s
		voltage spike $V_{DD}: 5$ V $\rightarrow V_t$	5	–	–	μ s
t_W	POR pulse width	at power-on $V_{DD}: 0 \rightarrow 5$ V	10	–	–	μ s
		voltage spike $V_{DD}: 5$ V $\rightarrow V_t$	10	–	–	μ s

Note

1. Susceptibility for environment noise @ 1 V_{PP} CVBS, 25 °C; 12 MHz.

Microcontrollers for NTSC TVs with On-Screen Display (OSD) and Closed Caption (CC)

P8xCx70 family

24 APPLICATION INFORMATION

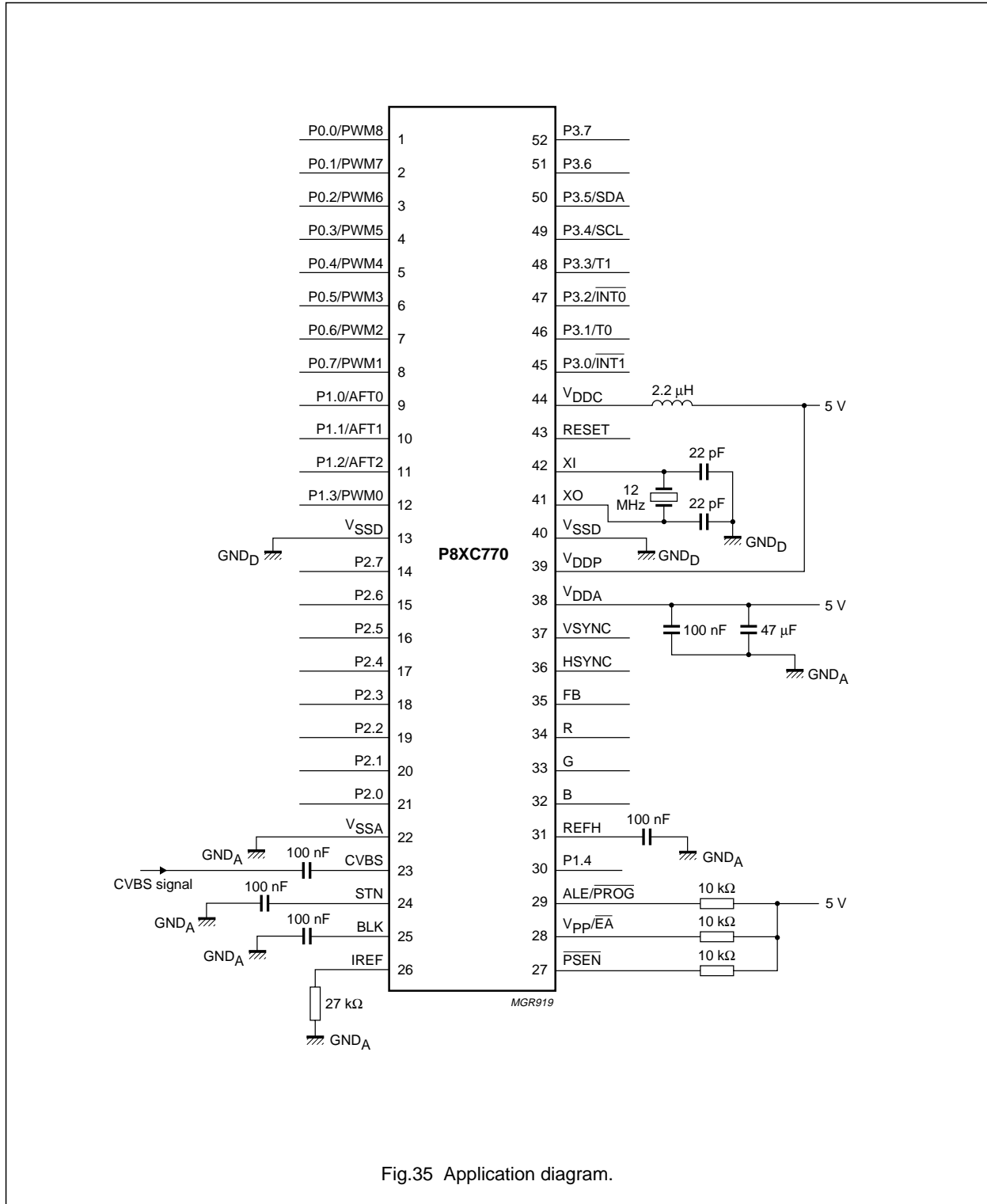


Fig.35 Application diagram.

Microcontrollers for NTSC TVs with On-Screen Display (OSD) and Closed Caption (CC)

P8xCx70 family

25 RELEASE LETTER OF ERRATA

25.1 Bugs with a software workaround

- The soft scroll active bit and the top scroll row are not synchronized. Therefore, it is not possible to calculate from this bit and the top scroll row the current base row (the row which is displayed as the lowest one or which scrolls in). The top scroll row number is incremented immediately after the soft scroll function is finished but the soft scroll active bit remains set. The soft scroll active bit is cleared one field/frame later. A software workaround is implemented.
- If the soft scroll function is to be stopped (write 0×20 to OSD Status Register) the soft scroll should stop immediately, but it stops at the end of the field/frame. After stopping the soft scroll function the soft scroll active bit should be cleared and the top scroll row number (lower 4 bit of the OSD Status Register) should be incremented by one. But sometimes the top scroll row number is incremented by two. Also in the stopped soft scroll the display sometimes jumps out of the defined scroll range. For example, the range is defined from row 0 to 5 and row 8 to 14 is displayed.

A correction is possible after the next frame, which results in the stopped soft scroll (0.2 after soft scroll has been started a stop soft scroll is sent) to sometimes generate a display flicker.

- Read/Write problem with access to Display Memory by the CPU. The error rate is 1/84000 (synchronized clock). The error is synchronous to the HSYNC with approximately 11 μ s delay after HSYNC.

The automatically incremented DPTR didn't work correctly.

A move command to the display memory (MOVX @DPTR,A) or (MOVX A, @DPTR) sometimes delivers a wrong result (e.g. an 'A' should be written/read but a 'B' is stored/read in/from the memory).

A software workaround has been designed.

25.2 Bugs with no workaround

- The foreground colour of the first character behind a double size/width attribute is ignored.
- During a double height row, if shadow is active, a north shadow appears above the last line of the row whether the underline is active or not.

25.3 Specification problems (unspecified)

- Soft scroll function cannot be stopped immediately (behaviour is not specified in the specification). If the decoder wants to terminate the soft scroll function, the soft scroll function stops one field/frame later. A restart is not possible before the scrolling has stopped. Therefore, a restart of the soft scroll function must be delayed by one field/frame. A software workaround is implemented.

According to the CC specification the time between stop and start should be no more than 0.433 seconds.

With the method as implemented the start command will be issued after 0.46 seconds.

- The OSD does not allow the active edges of HSYNC and VSYNC to come at exactly the same moment
- Soft scroll does not work, if a double height row is the top row of the scroll area.

The specification has been changed to 'the soft scroll function with double height rows is forbidden'.

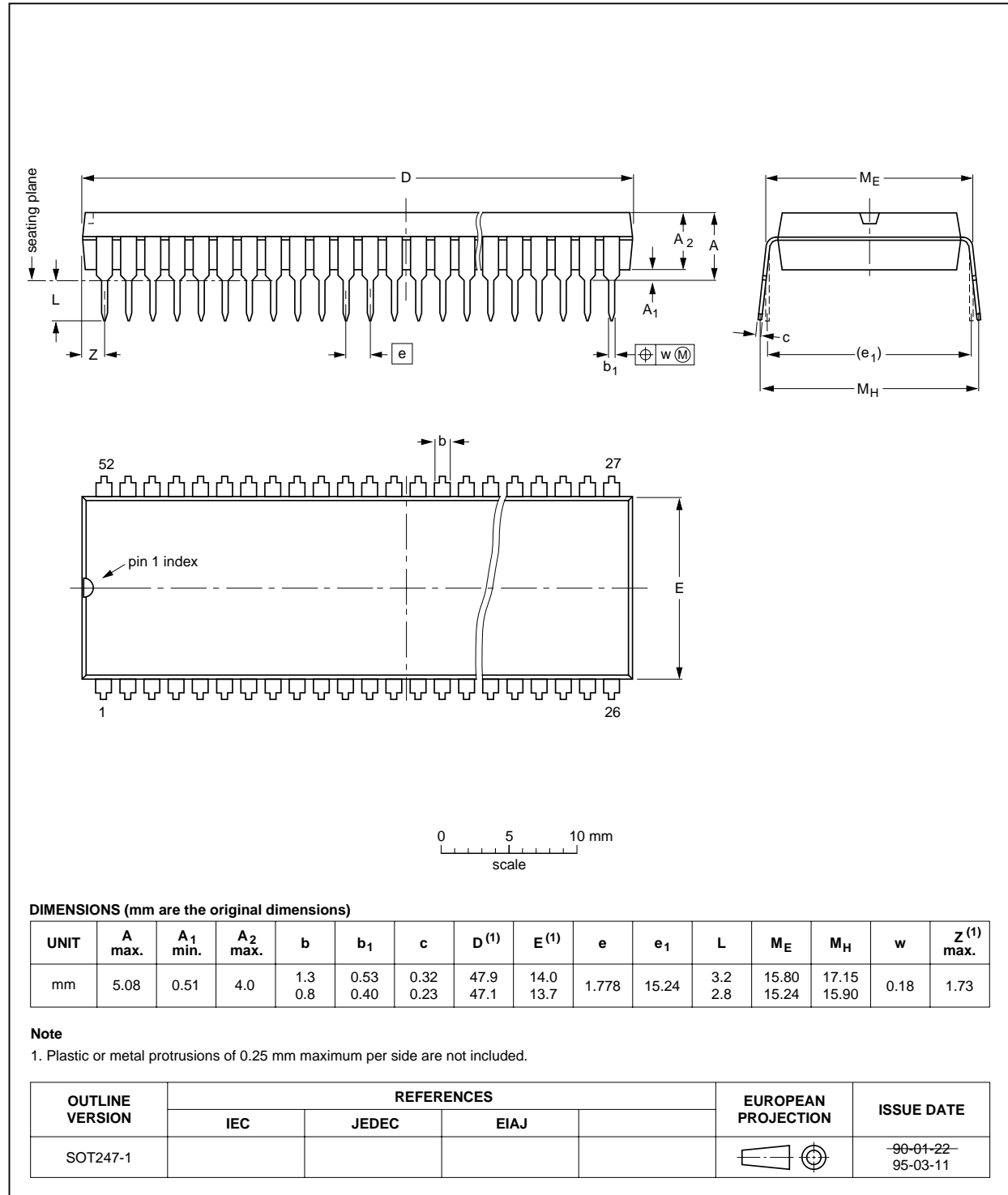
Microcontrollers for NTSC TVs with On-Screen Display (OSD) and Closed Caption (CC)

P8xCx70 family

26 PACKAGE OUTLINE

SDIP52: plastic shrink dual in-line package; 52 leads (600 mil)

SOT247-1



Microcontrollers for NTSC TVs with On-Screen Display (OSD) and Closed Caption (CC)

P8xCx70 family

27 SOLDERING

27.1 Introduction to soldering through-hole mount packages

This text gives a brief insight to wave, dip and manual soldering. A more in-depth account of soldering ICs can be found in our "Data Handbook IC26; Integrated Circuit Packages" (document order number 9398 652 90011).

Wave soldering is the preferred method for mounting of through-hole mount IC packages on a printed-circuit board.

27.2 Soldering by dipping or by solder wave

The maximum permissible temperature of the solder is 260 °C; solder at this temperature must not be in contact with the joints for more than 5 seconds.

The total contact time of successive solder waves must not exceed 5 seconds.

The device may be mounted up to the seating plane, but the temperature of the plastic body must not exceed the specified maximum storage temperature ($T_{stg(max)}$). If the printed-circuit board has been pre-heated, forced cooling may be necessary immediately after soldering to keep the temperature within the permissible limit.

27.3 Manual soldering

Apply the soldering iron (24 V or less) to the lead(s) of the package, either below the seating plane or not more than 2 mm above it. If the temperature of the soldering iron bit is less than 300 °C it may remain in contact for up to 10 seconds. If the bit temperature is between 300 and 400 °C, contact may be up to 5 seconds.

27.4 Suitability of through-hole mount IC packages for dipping and wave soldering methods

PACKAGE	SOLDERING METHOD	
	DIPPING	WAVE
DBS, DIP, HDIP, SDIP, SIL	suitable	suitable ⁽¹⁾

Note

- For SDIP packages, the longitudinal axis must be parallel to the transport direction of the printed-circuit board.

Microcontrollers for NTSC TVs with On-Screen Display (OSD) and Closed Caption (CC)

P8xCx70 family

28 DEFINITIONS

Data sheet status	
Objective specification	This data sheet contains target or goal specifications for product development.
Preliminary specification	This data sheet contains preliminary data; supplementary data may be published later.
Product specification	This data sheet contains final product specifications.
Limiting values	
Limiting values given are in accordance with the Absolute Maximum Rating System (IEC 134). Stress above one or more of the limiting values may cause permanent damage to the device. These are stress ratings only and operation of the device at these or at any other conditions above those given in the Characteristics sections of the specification is not implied. Exposure to limiting values for extended periods may affect device reliability.	
Application information	
Where application information is given, it is advisory and does not form part of the specification.	

29 LIFE SUPPORT APPLICATIONS

These products are not designed for use in life support appliances, devices, or systems where malfunction of these products can reasonably be expected to result in personal injury. Philips customers using or selling these products for use in such applications do so at their own risk and agree to fully indemnify Philips for any damages resulting from such improper use or sale.

30 PURCHASE OF PHILIPS I²C COMPONENTS



Purchase of Philips I²C components conveys a license under the Philips' I²C patent to use the components in the I²C system provided the system conforms to the I²C specification defined by Philips. This specification can be ordered using the code 9398 393 40011.

Microcontrollers for NTSC TVs with On-Screen
Display (OSD) and Closed Caption (CC)

P8xCx70 family

NOTES

Philips Semiconductors – a worldwide company

Argentina: see South America

Australia: 34 Waterloo Road, NORTH RYDE, NSW 2113,
Tel. +61 2 9805 4455, Fax. +61 2 9805 4466

Austria: Computerstr. 6, A-1101 WIEN, P.O. Box 213,
Tel. +43 1 60 101 1248, Fax. +43 1 60 101 1210

Belarus: Hotel Minsk Business Center, Bld. 3, r. 1211, Volodarski Str. 6,
220050 MINSK, Tel. +375 172 20 0733, Fax. +375 172 20 0773

Belgium: see The Netherlands

Brazil: see South America

Bulgaria: Philips Bulgaria Ltd., Energoproject, 15th floor,
51 James Bourchier Blvd., 1407 SOFIA,
Tel. +359 2 68 9211, Fax. +359 2 68 9102

Canada: PHILIPS SEMICONDUCTORS/COMPONENTS,
Tel. +1 800 234 7381, Fax. +1 800 943 0087

China/Hong Kong: 501 Hong Kong Industrial Technology Centre,
72 Tat Chee Avenue, Kowloon Tong, HONG KONG,
Tel. +852 2319 7888, Fax. +852 2319 7700

Colombia: see South America

Czech Republic: see Austria

Denmark: Sydhavnsgade 23, 1780 COPENHAGEN V,
Tel. +45 33 29 3333, Fax. +45 33 29 3905

Finland: Sinikalliontie 3, FIN-02630 ESPOO,
Tel. +358 9 615 800, Fax. +358 9 6158 0920

France: 51 Rue Carnot, BP317, 92156 SURESNES Cedex,
Tel. +33 1 4099 6161, Fax. +33 1 4099 6427

Germany: Hammerbrookstraße 69, D-20097 HAMBURG,
Tel. +49 40 2353 60, Fax. +49 40 2353 6300

Hungary: see Austria

India: Philips INDIA Ltd, Band Box Building, 2nd floor,
254-D, Dr. Annie Besant Road, Worli, MUMBAI 400 025,
Tel. +91 22 493 8541, Fax. +91 22 493 0966

Indonesia: PT Philips Development Corporation, Semiconductors Division,
Gedung Philips, Jl. Buncit Raya Kav.99-100, JAKARTA 12510,
Tel. +62 21 794 0040 ext. 2501, Fax. +62 21 794 0080

Ireland: Newstead, Clonskeagh, DUBLIN 14,
Tel. +353 1 7640 000, Fax. +353 1 7640 200

Israel: RAPAC Electronics, 7 Kehilat Saloniki St, PO Box 18053,
TEL AVIV 61180, Tel. +972 3 645 0444, Fax. +972 3 649 1007

Italy: PHILIPS SEMICONDUCTORS, Piazza IV Novembre 3,
20124 MILANO, Tel. +39 02 67 52 2531, Fax. +39 02 67 52 2557

Japan: Philips Bldg 13-37, Kohnan 2-chome, Minato-ku,
TOKYO 108-8507, Tel. +81 3 3740 5130, Fax. +81 3 3740 5057

Korea: Philips House, 260-199 Itaewon-dong, Yongsan-ku, SEOUL,
Tel. +82 2 709 1412, Fax. +82 2 709 1415

Malaysia: No. 76 Jalan Universiti, 46200 PETALING JAYA, SELANGOR,
Tel. +60 3 750 5214, Fax. +60 3 757 4880

Mexico: 5900 Gateway East, Suite 200, EL PASO, TEXAS 79905,
Tel. +9-5 800 234 7381, Fax +9-5 800 943 0087

Middle East: see Italy

Netherlands: Postbus 90050, 5600 PB EINDHOVEN, Bldg. VB,
Tel. +31 40 27 82785, Fax. +31 40 27 88399

New Zealand: 2 Wagener Place, C.P.O. Box 1041, AUCKLAND,
Tel. +64 9 849 4160, Fax. +64 9 849 7811

Norway: Box 1, Manglerud 0612, OSLO,
Tel. +47 22 74 8000, Fax. +47 22 74 8341

Pakistan: see Singapore

Philippines: Philips Semiconductors Philippines Inc.,
106 Valero St. Salcedo Village, P.O. Box 2108 MCC, MAKATI,
Metro MANILA, Tel. +63 2 816 6380, Fax. +63 2 817 3474

Poland: Ul. Lukiska 10, PL 04-123 WARSZAWA,
Tel. +48 22 612 2831, Fax. +48 22 612 2327

Portugal: see Spain

Romania: see Italy

Russia: Philips Russia, Ul. Usatcheva 35A, 119048 MOSCOW,
Tel. +7 095 755 6918, Fax. +7 095 755 6919

Singapore: Lorong 1, Toa Payoh, SINGAPORE 319762,
Tel. +65 350 2538, Fax. +65 251 6500

Slovakia: see Austria

Slovenia: see Italy

South Africa: S. A. PHILIPS Pty Ltd., 195-215 Main Road Martindale,
2092 JOHANNESBURG, P.O. Box 58088 Newville 2114,
Tel. +27 11 471 5401, Fax. +27 11 471 5398

South America: Al. Vicente Pinzon, 173, 6th floor,
04547-130 SÃO PAULO, SP, Brazil,
Tel. +55 11 821 2333, Fax. +55 11 821 2382

Spain: Balmes 22, 08007 BARCELONA,
Tel. +34 93 301 6312, Fax. +34 93 301 4107

Sweden: Kottbygatan 7, Akalla, S-16485 STOCKHOLM,
Tel. +46 8 5985 2000, Fax. +46 8 5985 2745

Switzerland: Allmendstrasse 140, CH-8027 ZÜRICH,
Tel. +41 1 488 2741 Fax. +41 1 488 3263

Taiwan: Philips Semiconductors, 6F, No. 96, Chien Kuo N. Rd., Sec. 1,
TAIPEI, Taiwan Tel. +886 2 2134 2886, Fax. +886 2 2134 2874

Thailand: PHILIPS ELECTRONICS (THAILAND) Ltd.,
209/2 Sanpavuth-Bangna Road Prakanong, BANGKOK 10260,
Tel. +66 2 745 4090, Fax. +66 2 398 0793

Turkey: Yukari Dudullu, Org. San. Blg., 2.Cad. Nr. 28 81260 Umraniye,
ISTANBUL, Tel. +90 216 522 1500, Fax. +90 216 522 1813

Ukraine: PHILIPS UKRAINE, 4 Patrice Lumumba str., Building B, Floor 7,
252042 KIEV, Tel. +380 44 264 2776, Fax. +380 44 268 0461

United Kingdom: Philips Semiconductors Ltd., 276 Bath Road, Hayes,
MIDDLESEX UB3 5BX, Tel. +44 181 730 5000, Fax. +44 181 754 8421

United States: 811 East Arques Avenue, SUNNYVALE, CA 94088-3409,
Tel. +1 800 234 7381, Fax. +1 800 943 0087

Uruguay: see South America

Vietnam: see Singapore

Yugoslavia: PHILIPS, Trg N. Pasica 5/v, 11000 BEOGRAD,
Tel. +381 11 62 5344, Fax. +381 11 63 5777

For all other countries apply to: Philips Semiconductors,
International Marketing & Sales Communications, Building BE-p, P.O. Box 218,
5600 MD EINDHOVEN, The Netherlands, Fax. +31 40 27 24825

Internet: <http://www.semiconductors.philips.com>

© Philips Electronics N.V. 1999

SCA65

All rights are reserved. Reproduction in whole or in part is prohibited without the prior written consent of the copyright owner.

The information presented in this document does not form part of any quotation or contract, is believed to be accurate and reliable and may be changed without notice. No liability will be accepted by the publisher for any consequence of its use. Publication thereof does not convey nor imply any license under patent- or other industrial or intellectual property rights.

Printed in The Netherlands

275002/02/pp80

Date of release: 1999 Jun 11

Document order number: 9397 750 06084

Let's make things better.

Philips
Semiconductors



PHILIPS