

Current Mode PWM Control Circuit with 50% Max Duty Cycle

Description

The CS52845 provides all the necessary features to implement off-line fixed frequency current-mode control with a minimum number of external components.

The CS52845 incorporates a new precision temperature-controlled oscillator to minimize variations in frequency. An internal toggle flip-flop, which blanks the output every other clock cycle, limits the duty-cycle range to less than 50%.

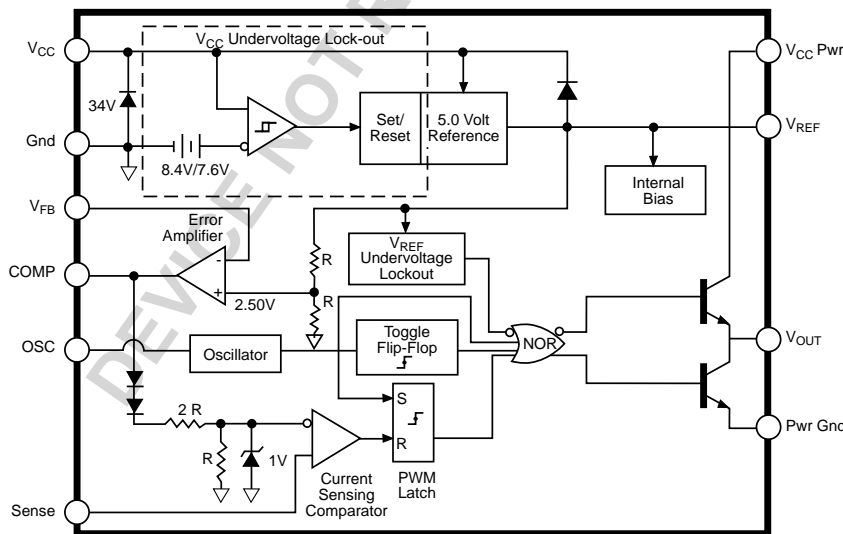
An undervoltage lockout ensures that V_{REF} is stabilized before the output stage is enabled. In the CS52845 turn on is at 8.4V and turn off at 7.6V.

Other features include low start-up current, pulse-by-pulse current limiting, and a high-current totem pole output for driving capacitive loads, such as gate of a power MOSFET. The output is low in the off state, consistent with N-channel devices.

Absolute Maximum Ratings

Supply Voltage ($I_{CC} < 30mA$)	Self Limiting
Supply Voltage (Low Impedance Source)	30V
Output Current	$\pm 1A$
Output Energy (Capacitive Load)	5 μJ
Analog Inputs (V_{FB} , V_{SENSE})	-0.3V to 5.5V
Error Amp Output Sink Current	10mA
Lead Temperature Soldering	
Reflow (SMD styles only)	60 sec. max above 183°C, 230°C peak

Block Diagram

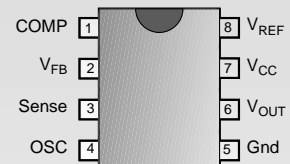


Features

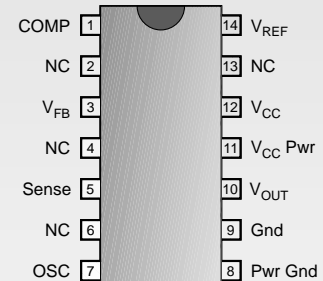
- Optimized for Off-line Control
- Temperature Compensated Oscillator
- 50% Maximum Duty-cycle Clamp
- V_{REF} Stabilized before Output Stage is Enabled
- Low Start-up Current
- Pulse-by-pulse Current Limiting
- Improved Undervoltage Lockout
- Double Pulse Suppression
- 1% Trimmed Bandgap Reference
- High Current Totem Pole Output

Package Options

8L SO Narrow



14L SO Narrow



ON Semiconductor

ON Semiconductor
 2000 South County Trail, East Greenwich, RI 02818
 Tel: (401)885-3600 Fax: (401)885-5786
 N. American Technical Support: 800-282-9855
 Web Site: www.cherry-semi.com

Electrical Characteristics: $-40 \leq T_A \leq 85^\circ\text{C}$; $V_{CC} = 15\text{V}$ (Note 1); $R_T = 10\text{k}\Omega$; $C_T = 3.3\text{nF}$ for sawtooth mode, unless otherwise stated.

PARAMETER	TEST CONDITIONS	MIN	TYP	MAX	UNIT
■ Reference Section					
Output Voltage	$T_J=25^\circ\text{C}$, $I_{REF}=1\text{mA}$	4.95	5.00	5.05	V
Line Regulation	$12 \leq V_{CC} \leq 25\text{V}$		6	20	mV
Load Regulation	$1 \leq I_{REF} \leq 20\text{mA}$		6	25	mV
Temperature Stability	(Note 2)		0.2	0.4	mV/ $^\circ\text{C}$
Total Output Variation	Line, Load, Temp. (Note 2)	4.90		5.10	V
Output Noise Voltage	$10\text{Hz} \leq f \leq 10\text{kHz}$, $T_J=25^\circ\text{C}$ (Note 2)		50		μV
Long Term Stability	$T_A=125^\circ\text{C}$, 1000 Hrs. (Note 2)		5	25	mV
Output Short Circuit	$T_A=25^\circ\text{C}$	-30	-100	-180	mA
■ Oscillator Section					
Initial Accuracy	Sawtooth Mode, $T_J=25^\circ\text{C}$	47	52	57	kHz
Voltage Stability	$12 \leq V_{CC} \leq 25\text{V}$		0.2	1.0	%
Temperature Stability	Sawtooth Mode $T_{MIN} \leq T_A \leq T_{MAX}$ (Note 2)		5		%
Amplitude	V_{OSC} (peak to peak)		1.7		V
■ Error Amp Section					
Input Voltage	$V_{COMP}=2.5\text{V}$	2.45	2.50	2.55	V
Input Bias Current	$V_{FB}=0\text{V}$		-0.3	-1.0	μA
A_{VOL}	$2 \leq V_{OUT} \leq 4\text{V}$	65	90		dB
Unity Gain Bandwidth	(Note 2)	0.7	1.0		MHz
PSRR	$12 \leq V_{CC} \leq 25\text{V}$	60	70		dB
Output Sink Current	$V_{FB}=2.7\text{V}$, $V_{COMP}=1.1\text{V}$	2	6		mA
Output Source Current	$V_{FB}=2.3\text{V}$, $V_{COMP}=5\text{V}$	-0.5	-0.8		mA
V_{OUT} HIGH	$V_{FB}=2.3\text{V}$, $R_L=15\text{k}\Omega$ to Gnd	5	6		V
V_{OUT} LOW	$V_{FB}=2.7\text{V}$, $R_L=15\text{k}\Omega$ to V_{REF}		0.7	1.1	V
■ Current Sense Section					
Gain	(Notes 3 & 4)	2.85	3.00	3.15	V/V
Maximum Input Signal	$V_{COMP}=5\text{V}$ (Note 3)	0.9	1.0	1.1	V
PSRR	$12 \leq V_{CC} \leq 25\text{V}$ (Note 3)		70		dB
Input Bias Current	$V_{Sense}=0\text{V}$		-2	-10	μA
Delay to Output	$T_J=25^\circ\text{C}$ (Note 2)		150	300	ns
■ Output Section					
Output Low Level	$I_{SINK}=20\text{mA}$		0.1	0.4	V
$I_{SINK}=200\text{mA}$			1.5	2.2	V
Output High Level	$I_{SOURCE}=20\text{mA}$	13.0	13.5		V
$I_{SOURCE}=200\text{mA}$		12.0	13.5		V
Rise Time	$T_J=25^\circ\text{C}$, $C_L=1\text{nF}$ (Note 2)		50	150	ns
Fall Time	$T_J=25^\circ\text{C}$, $C_L=1\text{nF}$ (Note 2)		50	150	ns

Electrical Characteristics: Unless otherwise stated, specifications apply for $-40 \leq T_A \leq 85^\circ\text{C}$; $V_{CC} = 15\text{V}$ (Note 1); $R_T = 10\text{k}\Omega$; $C_T = 3.3\text{nF}$ for sawtooth mode.

PARAMETER	TEST CONDITIONS	MIN	TYP	MAX	UNIT
■ Total Standby Current					
Start-Up Current			0.5	1.0	mA
Operating Supply Current	$V_{FB}=V_{Sense}=0\text{V}$ $R_T=10\text{k}\Omega$, $C_T=3.3\text{nF}$		11	17	mA
V_{CC} Zener Voltage	$I_{CC}=25\text{mA}$		34		V

■ PWM Section

Maximum Duty Cycle		46	48	50	%
Minimum Duty Cycle		0			%

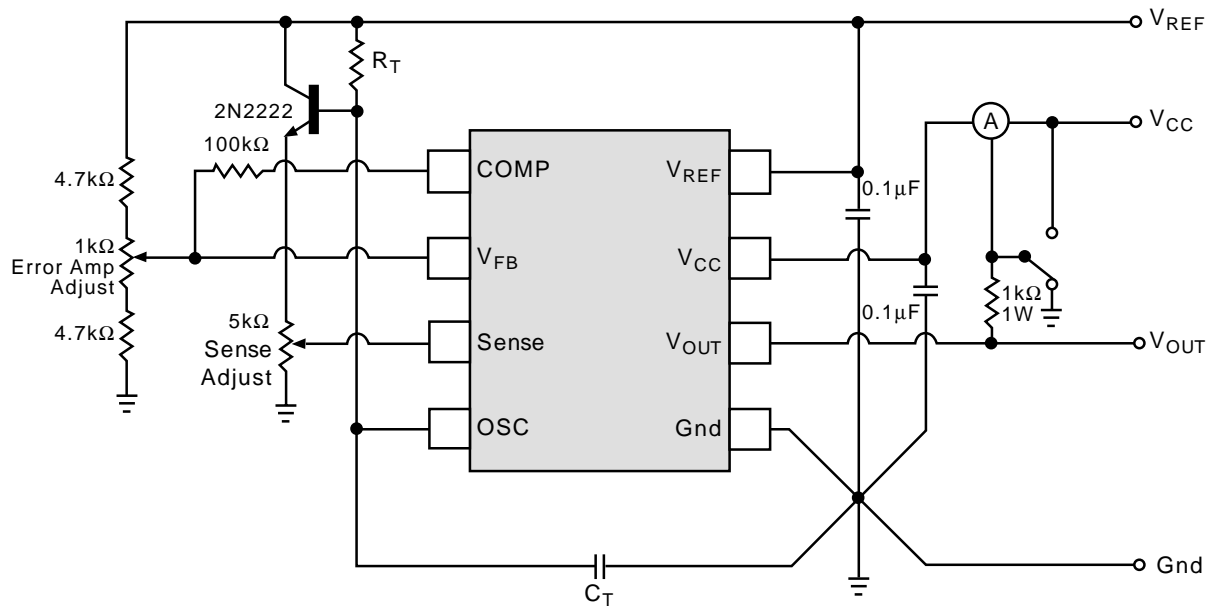
■ Undervoltage Lockout Section

Start Threshold		7.8	8.4	9.0	V
Min. Operating Voltage	After Turn On	7.0	7.6	8.2	V

- Notes:**
1. Adjust V_{CC} above the start threshold before setting at 15V.
 2. These parameters, although guaranteed, are not 100% tested in production.
 3. Parameter measured at trip point of latch with $V_{FB}=0$.
 4. Gain defined as: $A = \frac{\Delta V_{COMP}}{\Delta V_{Sense}}$; $0 \leq V_{Sense} \leq 0.8\text{V}$.

Package Pin Description

PACKAGE PIN #		PIN SYMBOL	FUNCTION
8L SO Narrow	14L SO Narrow		
1	1	COMP	Error amp output, used to compensate error amplifier.
2	3	V_{FB}	Error amp inverting input.
3	5	Sense	Noninverting input to Current Sense Comparator.
4	7	OSC	Oscillator timing network with Capacitor to Ground, resistor to V_{REF} .
5	9	Gnd	Ground.
5	8	Pwr Gnd	Output driver Ground.
6	10	V_{OUT}	Output drive pin.
7	11	V_{CCPWR}	Output driver positive supply.
7	12	V_{CC}	Positive power supply.
8	14	V_{REF}	Output of 5V internal reference.
	2,4,6,13	NC	No Connection.



Circuit Description

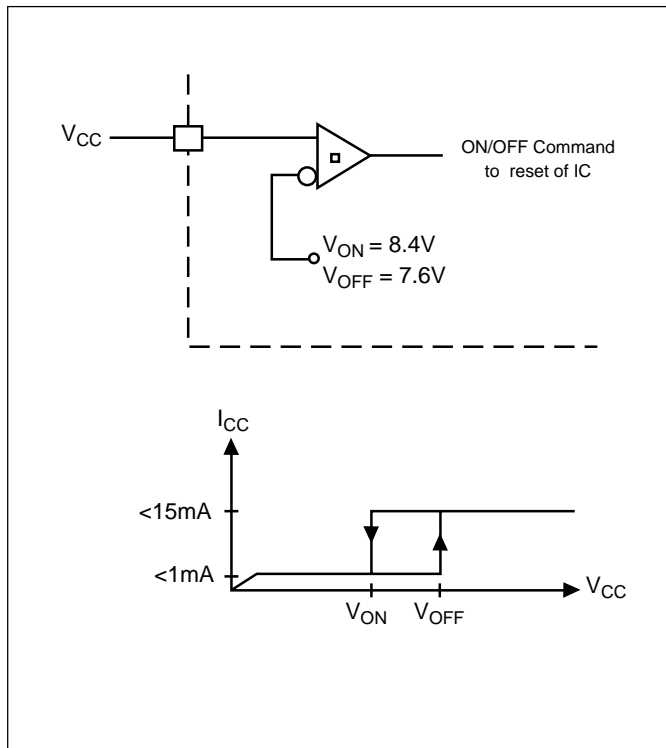


Figure 1: Startup voltage for the CS52845.

Undervoltage Lockout

During Undervoltage Lockout (Figure 1), the output driver is biased to sink minor amounts of current. The output should be shunted to ground with a resistor to prevent activating the power switch with extraneous leakage currents.

PWM Waveform

To generate the PWM waveform, the control voltage from the error amplifier is compared to a current sense signal which represents the peak output inductor current (Figure 2). An increase in V_{CC} causes the inductor current slope to increase, thus reducing the duty cycle. This is an inherent feed-forward characteristic of current mode control, since the control voltage does not have to change during changes of input supply voltage.

When the power supply sees a sudden large output current increase, the control voltage will increase allowing the duty cycle to momentarily increase. Since the duty cycle tends to exceed the maximum allowed to prevent transformer saturation in some power supplies, the internal oscillator waveform provides the maximum duty cycle clamp as programmed by the selection of OSC components.

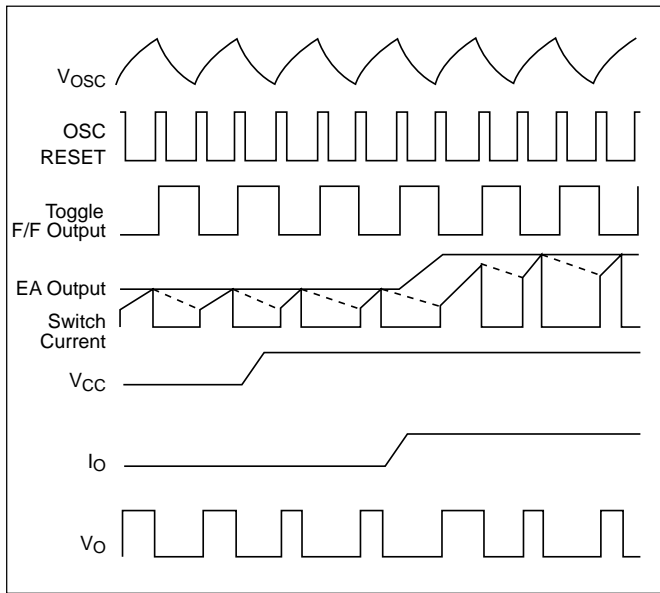


Figure 2: Timing Diagram

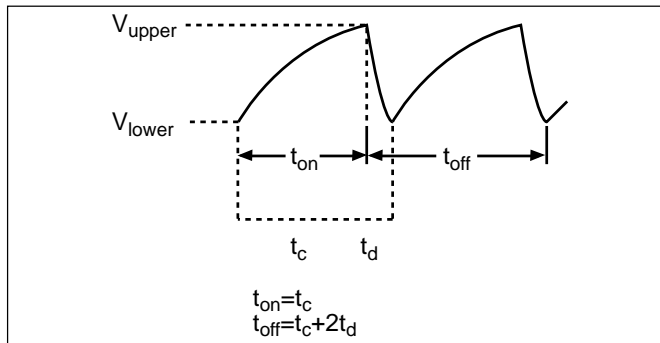


Figure 3: Duty Cycle parameters.

Setting the Oscillator

The times T_c and T_d can be determined as follows:

$$t_c = R_T C_T \ln \left(\frac{V_{REF} - V_{lower}}{V_{REF} - V_{upper}} \right)$$

$$t_d = R_T C_T \ln \left(\frac{V_{REF} - I_d R_T - V_{lower}}{V_{REF} - I_d R_T - V_{upper}} \right)$$

Substituting in typical values for the parameters in the above formulas:

$$V_{REF} = 5.0V, V_{upper} = 2.7V, V_{lower} = 1.0V, I_d = 8.3mA,$$

then

$$t_c \approx 0.5534 R_T C_T$$

$$t_d = R_T C_T \ln \left(\frac{2.3 - 0.0083 R_T}{4.0 - 0.0083 R_T} \right)$$

For better accuracy R_T should be $\geq 10k\Omega$.

Grounding

High peak currents associated with capacitive loads necessitate careful grounding techniques. Timing and bypass capacitors should be connected close to Gnd in a single point ground.

The transistor and $5k\Omega$ potentiometer are used to sample the oscillator waveform and apply an adjustable ramp to Sense.

Package Specification

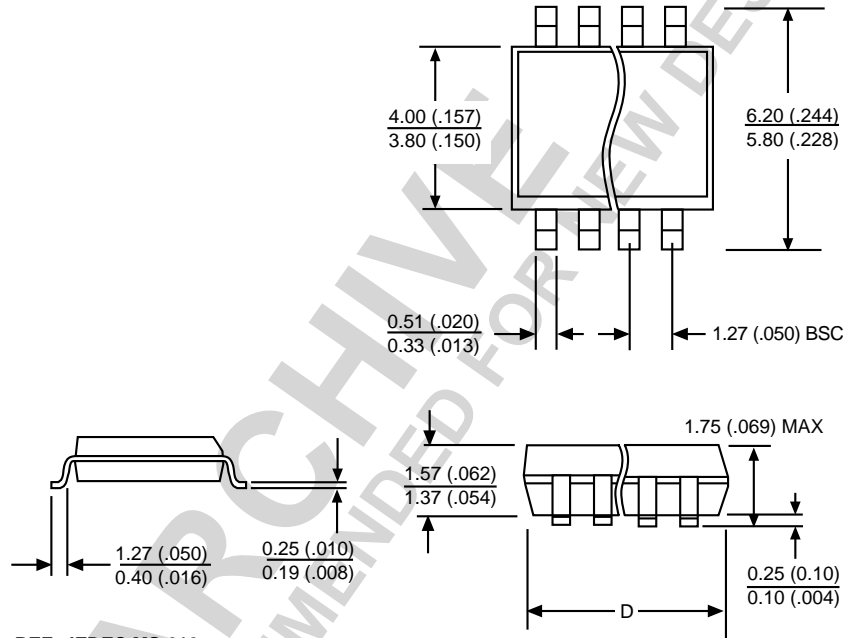
PACKAGE DIMENSIONS IN mm (INCHES)

Lead Count	D			
	Metric		English	
	Max	Min	Max	Min
8L SO Narrow	5.00	4.80	.197	.189
14L SO Narrow	8.75	8.55	.344	.337

PACKAGE THERMAL DATA

Thermal Data		8L SO Narrow	14L SO Narrow	
$R_{\theta JC}$	typ	45	30	$^{\circ}\text{C}/\text{W}$
$R_{\theta JA}$	typ	165	125	$^{\circ}\text{C}/\text{W}$

Surface Mount Narrow Body (D); 150 mil wide



Ordering Information

Part Number	Description
CS52845ED8	8L SO Narrow
CS52845EDR8	8L SO Narrow (tape & reel)
CS52845ED14	14L SO Narrow
CS52845EDR14	14L SO Narrow (tape & reel)

ON Semiconductor and the ON Logo are trademarks of Semiconductor Components Industries, LLC (SCILLC). ON Semiconductor reserves the right to make changes without further notice to any products herein. For additional information and the latest available information, please contact your local ON Semiconductor representative.

