

S1F81310F0A

Technical Manual

NOTICE

No part of this material may be reproduced or duplicated in any form or by any means without the written permission of Seiko Epson. Seiko Epson reserves the right to make changes to this material without notice. Seiko Epson does not assume any liability of any kind arising out of any inaccuracies contained in this material or due to its application or use in any product or circuit and, further, there is no representation that this material is applicable to products requiring high level reliability, such as, medical products. Moreover, no license to any intellectual property rights is granted by implication or otherwise, and there is no representation or warranty that anything made in accordance with this material will be free from any patent or copyright infringement of a third party. This material or portions thereof may contain technology or the subject relating to strategic products under the control of the Foreign Exchange and Foreign Trade Law of Japan and may require an export license from the Ministry of International Trade and Industry or other approval from another government agency.

All other product names mentioned herein are trademarks and/or registered trademarks of their respective companies.

©SEIKO EPSON CORPORATION 2005, All rights reserved.

TABLE OF CONTENTS

1. APPLICABLE DEVICES	1
2. OVERVIEW	1
3. BLOCK DIAGRAM	1
4. PIN LAYOUT	2
5. PIN DESCRIPTION	2
6. ABSOLUTE MAXIMUM RATINGS.....	3
7. ELECTRICAL CHARACTERISTICS	4
8. FUNCTIONAL DESCRIPTION	5
9. TYPICAL APPLICATION CIRCUIT	13
10. ASSEMBLING PRECAUTION	14
11. PACKAGE DIMENSIONS	14
12. PACKAGE MARKINGS	15

1. APPLICABLE DEVICES

This document applies to the S1F81310F0A white LED driver ICs.

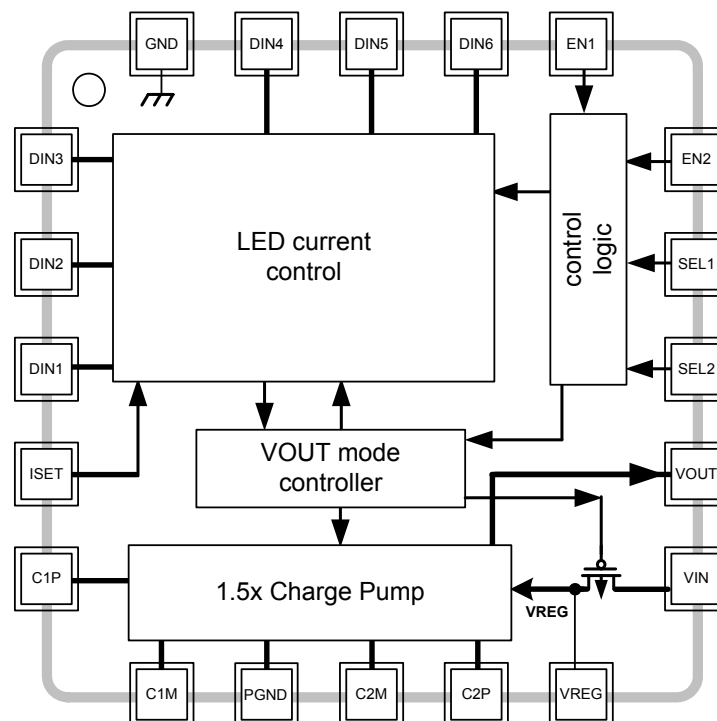
2. OVERVIEW

The S1F81310 is a charge-pump type white LED driver. It can drive up to 6 white LEDs connected in parallel from the VOUT output voltage. The LED driver current is controlled using a 6-channel LED current adjustment circuit. The LED brightness is determined by the current-setting resistance connected to ISET and by the input signals on EN1 and EN2, where the 6 channels can be divided into 2 groups (EN1 and EN2 inputs) using SEL1 and SEL2. The LED drive voltage VOUT automatically switches between 1.0x and 1.5x charge-pump boost mode, depending on the battery voltage, LED drive current, and the LED VF characteristics, to help extend battery life.

■ Features

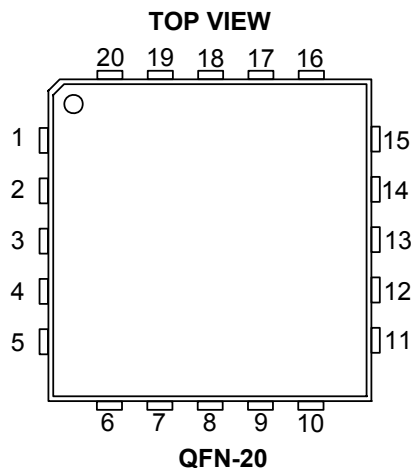
- Drives 1 to 6 white LEDs
- Low current variation between LEDs
- 2 EN input signal brightness controls
- 2-wire startup/brightness operation
- 2 LED brightness control groups
- Max. LED current set by external resistor
- Low noise charge-pump booster circuit
- Automatic booster circuit switching for low power consumption
- Soft-start circuit built-in
- Small package (QFN20)
- Input voltage range : 2.7 to 4.6V
- IC current consumption : 0.7mA (Typ@1.0x mode)
: 2.0mA (Typ@1.5x mode)
- Max. output voltage : 4.2V (trimmed)
- Max. output current : 120mA
- Standby current : 0.01μA (Typ.)
- Operating frequency : 750kHz (Typ.)
- LED current : 20mA (Typ@ISET=20kΩ,1.0x mode)
- 6-channel current : ≤ ±3% variation

3. BLOCK DIAGRAM



4. PIN LAYOUT

4. PIN LAYOUT



5. PIN DESCRIPTION

No.	Name	I/O	Function
1	DIN3	O	LED drive current control 3 (connect to GND when not used)
2	DIN2	O	LED drive current control 2 (connect to GND when not used)
3	DIN1	O	LED drive current control 1 (connect to GND when not used)
4	ISET	I	LED drive current-setting resistor connection
5	C1P	—	Charge-pump booster capacitor connection 1P
6	C1M	—	Charge-pump booster capacitor connection 1M
7	PGND	—	Charge-pump ground connection
8	C2M	—	Charge-pump booster capacitor connection 2M
9	C2P	—	Charge-pump booster capacitor connection 2P
10	VREG	—	LED drive current control voltage monitor (Don't connect any lines)
11	VIN	—	Voltage supply
12	VOUT	O	LED drive voltage output
13	SEL2	I	Group setting input 2
14	SEL1	I	Group setting input 1
15	EN2	Ip	Group B enable input (active-HIGH)
16	EN1	Ip	Group A enable input (active-HIGH)
17	DIN6	O	LED drive current control 6 (connect to GND when not used)
18	DIN5	O	LED drive current control 5 (connect to GND when not used)
19	DIN4	O	LED drive current control 4 (connect to GND when not used)
20	GND	—	Ground

Ip: Input with pull-down resistor built-in

6. ABSOLUTE MAXIMUM RATINGS

Parameter	Symbol	Rating	Unit
V _{IN} voltage range	V _{IN}	-0.3 to 6.5	V
Input voltage range	V _{EN} , V _{SEL}	V _{GND} -0.3 to V _{IN} +0.3	V
Output voltage range	V _{DIN1 to 6}	V _{GND} -0.3 to V _{IN} +0.3	V
	V _{OUT}	6.5	V
Power dissipation	P _D	1429 (Ta=25°C) *	mW
Operating temperature range	Ta	-30 to +85	°C
Storage temperature range	T _{stg}	-55 to +125	°C

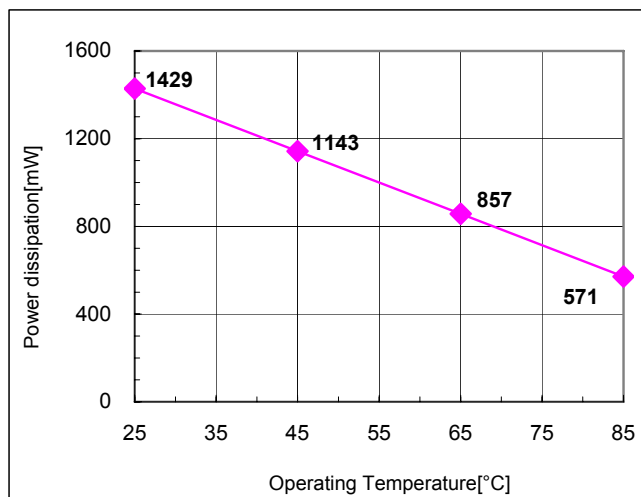
When mounted on a 34 x 40 x 1.6mm glass epoxy board, the power dissipation is related to the operating temperature by the following equation.

$$P_D = (T_{MAX} - T_a) / \theta_J$$

Maximum junction temperature : T_{MAX} = 125°C

Operating temperature : T_a [°C]

Thermal resistance : $\theta_J = 70$ [°C /W]



7. ELECTRICAL CHARACTERISTICS

7. ELECTRICAL CHARACTERISTICS

Ta = 25°C, VIN = 3.6V, GND = 0V unless otherwise noted

Parameter	Pin	Symbol	Min.	Typ.	Max.	Unit	Conditions
Supply voltage range 1	VIN	VIN0	2.7	3.6	4.6	V	1.0 × mode IOUT = 0mA
Supply voltage range 2	VIN	VIN	3.3	3.6	4.6	V	1.5 × mode IOUT = 120mA
Standby current	VIN	I _{STB}		0.01	1.00	μA	Power-save mode
IC current consumption 1	VIN	I _{DD1}		0.7	1.5	mA	1.0 × mode I _{LOAD} = 0mA
IC current consumption 2	VIN	I _{DD2}		2.0	4.0	mA	1.5 × mode I _{LOAD} = 0mA
Output voltage	VOUT	VOUT	4.0	4.2	4.4	V	1.5 × mode IOUT = 120mA
Maximum output current	VOUT	IOUT		120		mA	1.5 × mode
Operating frequency	C1M	f _{OSC}	650	750	850	kHz	1.5 × mode switching frequency
Internal power-ON reset time	EN	T _{POR} ^{*1}		0.05	1.00	ms	Time from when power is applied until internal circuits reset
Soft-start time	DIN1-6	T _{SS}		1.3	5.0	ms	EN startup → I _{LED} rising edge
LED drive pin leakage current	DIN1-6	I _{leak1-6}		0.01	1.00	μA	Power-save mode DIN = 4.2V
LED current	DIN1-6	I _{LED1-6}	19.4	20.0	20.6	mA	1.0x mode, RSET=20kΩ
LED current-setting resistance	ISET	R _{SET} ^{*1}			50	kΩ	RSET maximum value
EN input signal frequency	EN1/2	f _{ENIN} ^{*1}			150	kHz	EN duty 50%
EN High-level input pulsewidth	EN1/2	T _{ENH} ^{*1}	3.0			us	Minimum EN pulse H-level width
EN Low-level input pulsewidth	EN1/2	T _{ENL} ^{*1}	3.0			us	Minimum EN pulse L-level width
EN hold time	EN1/2	T _{CEH}	1.17	1.37	1.63	ms	Time from when EN1=EN2=LOW until LED drive circuit shutdown
Input voltage	EN1/2, SEL1/2	V _{IH}	1.8			V	HIGH-level input voltage range
		V _{IL}			0.6	V	LOW-level input voltage range
Input current	EN1/2	I _{IH}		5.0	10.0	μA	V _{EN} = 3.6V, Pull-down pin

*1: Design guaranteed value

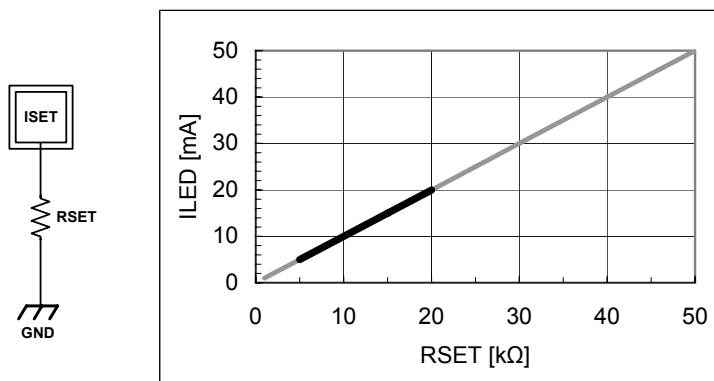
8. FUNCTIONAL DESCRIPTION

A. LED Current Setting

The S1F81310 LED drive current setting is controlled by the combination of resistance connected to ISET and the EN input signals.

(1) Setting LED Drive Current using RSET

The maximum drive current per LED (when DATA=1) is determined by the external resistance connected to ISET. For example, if $I_{LEDmax}=15\text{mA}$, from the graph below, a resistance RSET of $15\text{k}\Omega$ should be connected between ISET and GND. Note that while RSET can have a maximum resistance $50\text{k}\Omega$, the total LED output current must not exceed the maximum output current of 120mA .

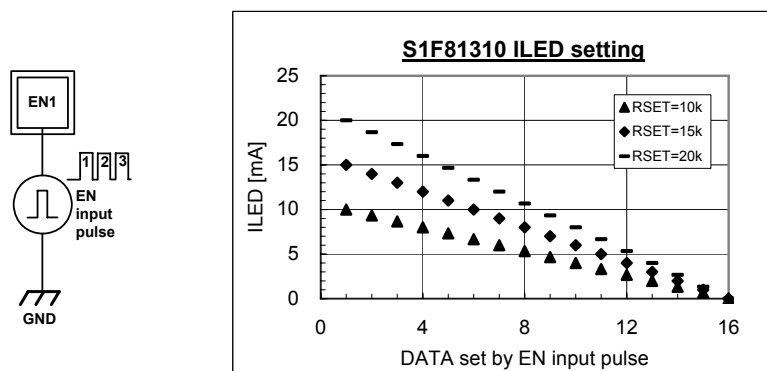


LED current maximum setting using RSET

(2) Setting LED Drive Current using EN Input Signals

The EN input ENABLE/DISABLE circuit, also simultaneously counts the number of input pulses using an internal counter and adjusts the LED current setting in response. The internal 4-bit counter provides 16-step (DATA=1 to 16) adjustment, where each step is 1/15th of the maximum current (I_{LEDmax}) set by RSET. On the 16th pulse (DATA=16), the LED current drive circuit shuts down. On the 17th pulse (DATA=1), the LED drive current is reset to the maximum current value.

As the current is set to the maximum value on the first pulse, applications without pulse input can also be employed (by controlling brightness using RSET).



LED current setting variation using EN input pulse modulation

8. FUNCTIONAL DESCRIPTION

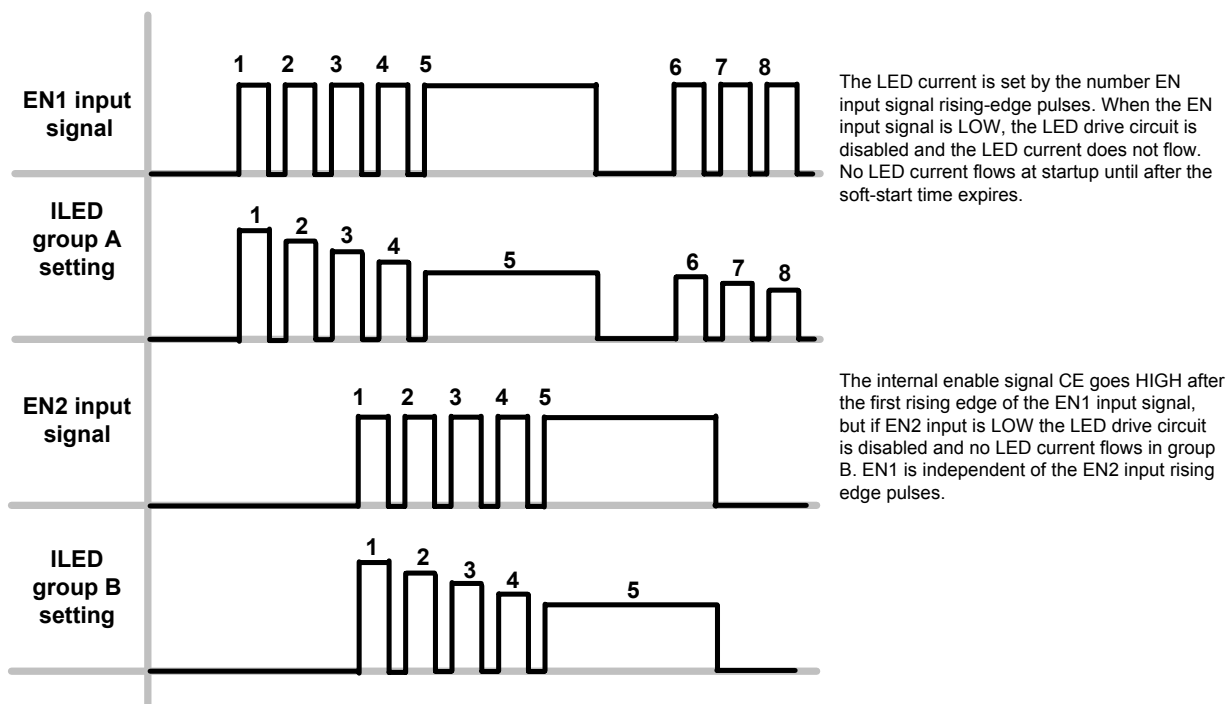
LED current setting and EN input pulse count

DATA	1	2	3	4	5	6	7	8	9	10	11	12	13	14	15	16
EN PULSE count	1	2	3	4	5	6	7	8	9	10	11	12	13	14	15	16
	17	18	19	20	21	22	23	24	25	26	27	28	29	30	31	32
	33	34	35	36	37	38	39	40	41	42	43	44	45	46	47	48
	49	50	51													
ILED	15/15	14/15	13/15	12/15	11/15	10/15	9/15	8/15	7/15	6/15	5/15	4/15	3/15	2/15	1/15	0

[EN input signal and LED current setting (startup)]

An internal startup signal goes HIGH on the first rising edge of either EN1 or EN2, and LED current starts after the soft-start time expires. The LED current adjustment circuit sets the current by counting the input pulses on EN, hence the EN input voltage must be switched H → L → H the required number of data steps to reduce the current setting. When the desired setting is reached, the EN input voltage should be tied HIGH to maintain the setting. Note that the LED current does not flow when EN is LOW between pulses, momentarily switching the group of LEDs OFF.

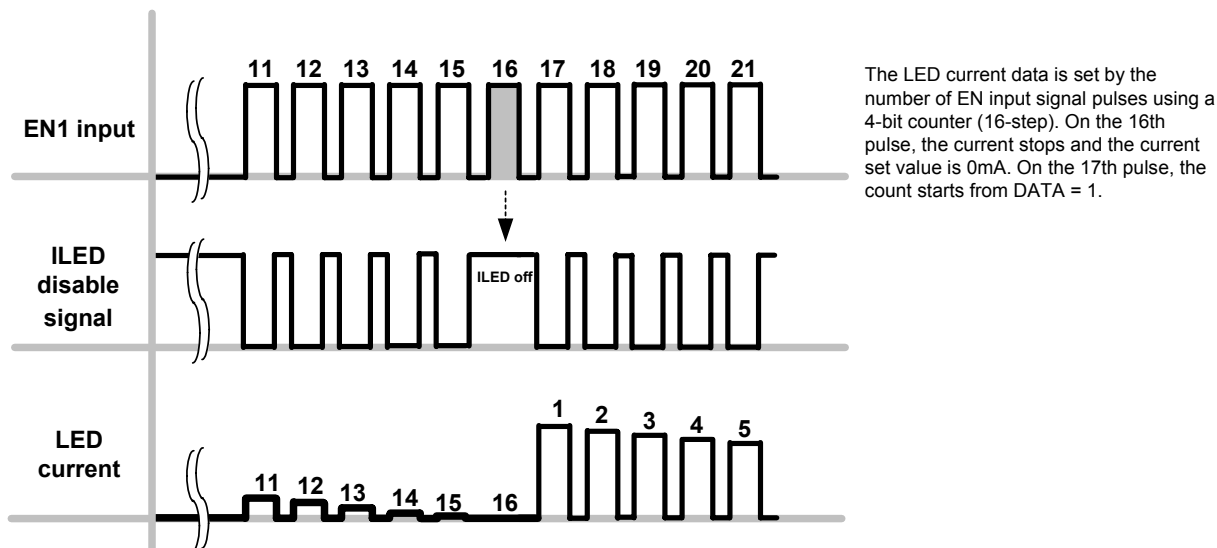
The EN data input circuit operates during the soft-start time when no LED current flows, hence the current setting can be adjusted during the soft-start time and the LED drive circuit will then start at the desired current setting. However, setting the current using EN signal pulses is possible only when the power-ON reset ends after a rising edge on the VIN supply. Consequently, a delay of 1ms or greater should be allowed after VIN is applied before starting the EN input signals.



EN input signal and LED current setting

[EN input signal and LED current setting (disable interval)]

The LED current setting due to EN input is set by the 4-bit counter (16 steps). On the 17th pulse, the counter DATA=1 and the current is reset to the maximum current value. When the counter DATA=16, ILED = 0mA and the LED drive circuit shuts down.



LED current setting disable interval

When both EN1 and EN2 are held LOW for an extended interval, the internal enable signal CE goes LOW and the device enters power-save mode. In this mode, the EN input internal counter is reset and subsequent rising-edge pulses on EN restart the counter from DATA=1.

[SEL inputs and LED control groups]

The DIN1 to DIN6 6-channel LED drive pins can be divided into two groups of drive pins (EN1 control and EN2 control drive pins) by the state of select inputs SEL1 and SEL2. Two groups with separate LED drive current control using EN1 and EN2 allows a single device to independently adjust the backlight brightness of 2 screens. With a 6-0 group setting, EN2 should be connected to EN1. Also, any unused DIN LED drive pins should be connected to GND.

SEL setting and LED drive pin grouping

Mode	SEL input		LED control signal					
	SEL1	SEL2	DIN1	DIN2	DIN3	DIN4	DIN5	DIN6
6-0 group	L	L	EN1	EN1	EN1	EN1	EN1	EN1
5-1 group	L	H	EN1	EN1	EN1	EN1	EN1	EN2
4-2 group	H	L	EN1	EN1	EN1	EN1	EN2	EN2
3-3 group	H	H	EN1	EN1	EN1	EN2	EN2	EN2

8. FUNCTIONAL DESCRIPTION

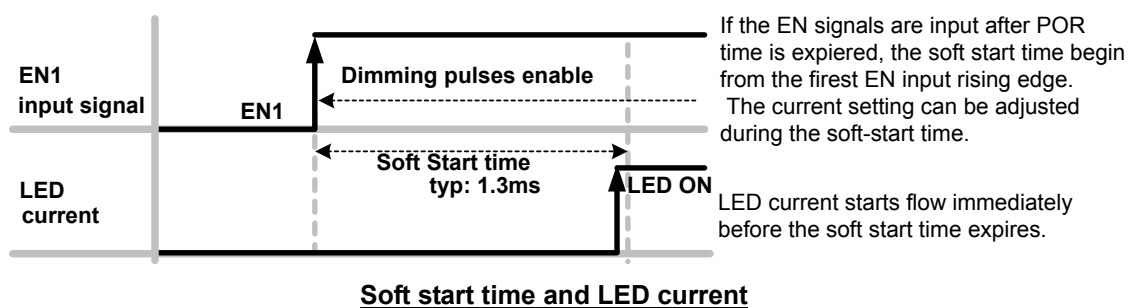
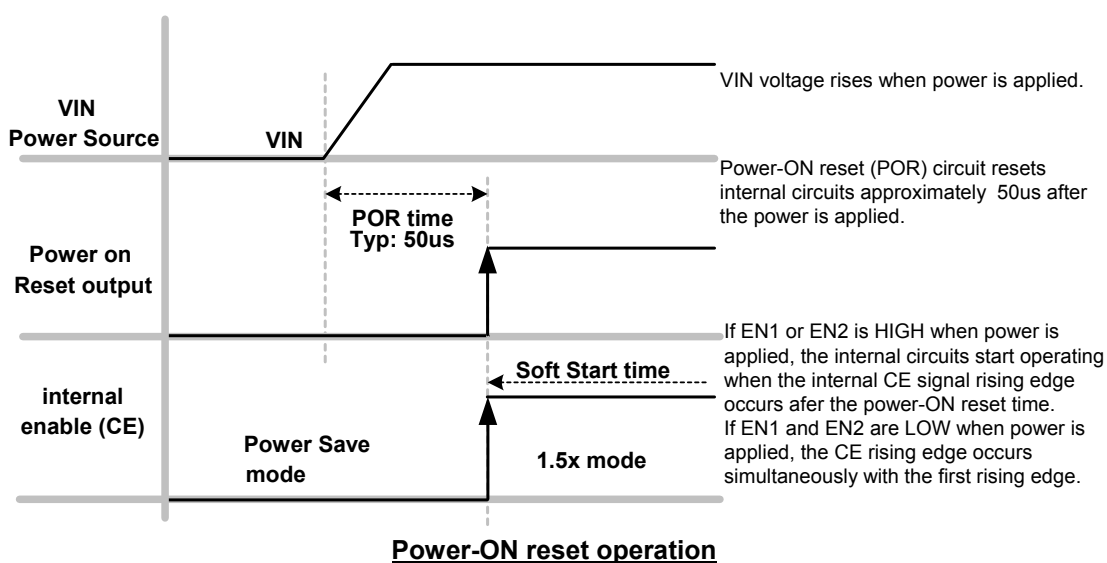
B. VOUT Output Circuit Mode Switching

The S1F81310 switches between 3 output states: power-save mode (standby state), 1.0x mode (VIN through mode), and 1.5x mode (1.5x charge-pump boost). This automatically adjusts the VOUT output to match the drive LED characteristics and reduces the total power dissipation. Switching to and from 1.0x and 1.5x mode occurs automatically in an internal circuit, and cannot be controlled using an external input.

[Power-ON internal reset time]

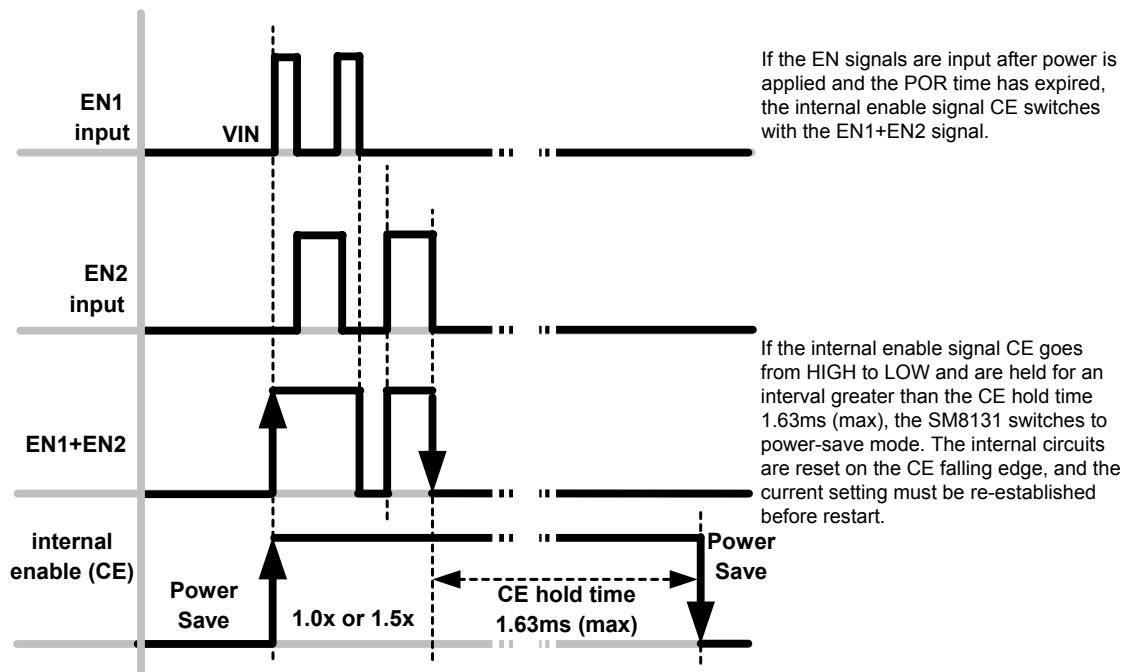
The S1F81310 switches from standby condition (power-save mode) to normal operating condition (1.0x/1.5x mode) on the first rising edge of either EN1 or EN2. Note that if the VIN supply voltage is applied when EN1 or EN2 is HIGH, startup occurs after the internal power-ON reset time (approximately 50us) expires.

At startup, operation commences in 1.5x mode for a fixed interval during the soft-start time in order to determine whether a LED is connected to each DIN pin.



[Switching to power-save mode]

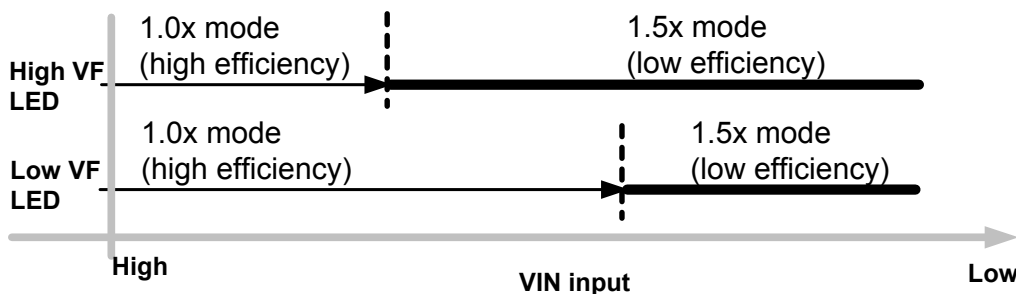
The internal circuit operating mode switches from 1.0x/1.5x mode to power-save mode when both EN1 and EN2 go LOW and do not switch HIGH for an interval of 1.63ms (max). This function turns the LEDs OFF and automatically transfers internal circuit control to power-save mode, suppressing current consumption.



EN input signal and internal enable signal CE

[Switching from 1.0 × mode to 1.5 × mode]

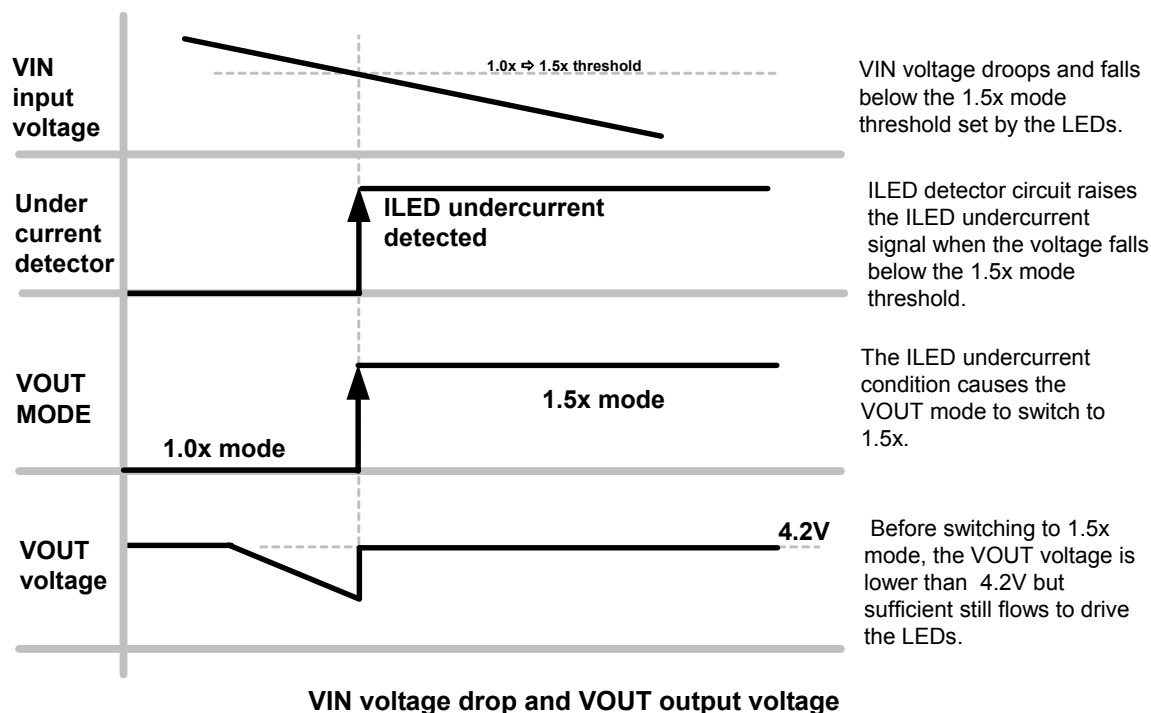
If the LEDs can be driven solely by the current determined by RSET and EN pulse input without boosting the VIN input voltage, the VOUT output operates in 1.0x mode. In other words, if sufficient current flows even with the LED forward-direction voltage drop VF, then VOUT is less than 4.2V. Operation in the more efficient 1.0x mode reduces the total power dissipation and extends the battery drive time. And if low VF LEDs are used or the LED current setting is low, the operating time in 1.0x mode is also extended.



VOUT mode switching time comparison due to drive LED VF variation

8. FUNCTIONAL DESCRIPTION

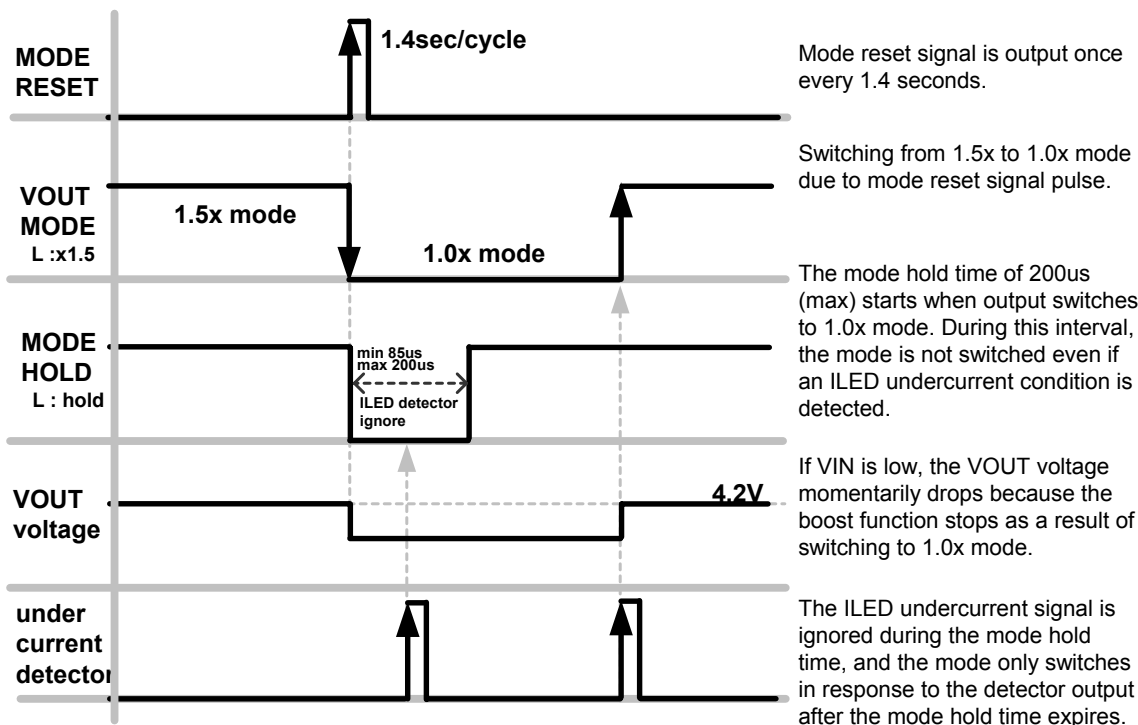
If the VIN voltage falls or RSET increases such that the LED current is too low in 1.0x mode, then the LED drive circuit undercurrent detector operates, the VOUT output is automatically switched to 1.5x mode, and the charge pump boosts the output voltage. This occurs even if only one LED undercurrent condition is detected among the 6-channel LED drive circuits, thus it is recommended that LEDs have small VF variation to optimize the total efficiency.



If after startup, the LED connected to a DIN pin is switched, the LED connection detector circuit flags an error, and correct mode switching may not occur. If the DIN pin does not control the LED current, the undercurrent detector does not operate and the device cannot switch to 1.5x mode.

[Switching from 1.5 × Mode to 1.0 × Mode]

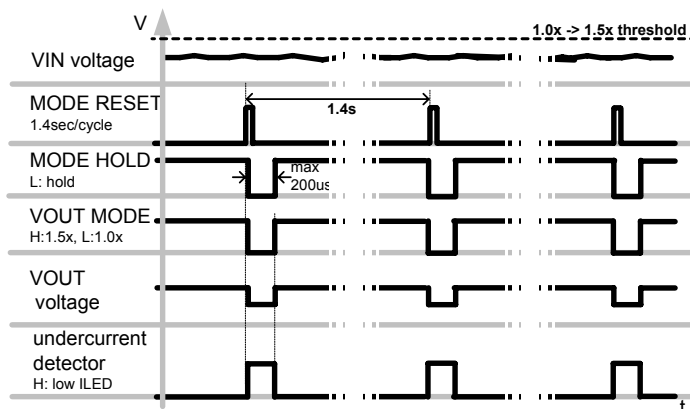
VF increases immediately after the LED current starts to flow, and then decreases as the LED temperature increases due to the heating effect of the current flow. It can take about 10 seconds for the LED temperature to stabilize and for VF to reach equilibrium, and VF may fluctuate more than 200mV. The VF fluctuation is affected by the ambient temperature and LED current setting, and has a large affect on the automatic mode switching voltage tolerances. To counter the effects of VF fluctuation, the S1F81310 outputs a mode reset signal once every 1.4 seconds which automatically switches the output mode to 1.0x, and then a determination is made whether to make the 1.0x → 1.5x mode switch.



Switching from 1.5x to 1.0x mode due to the mode reset signal

A mode hold signal of 200µs (max) duration is output immediately after the output switches to 1.0x mode as a result of the mode reset signal. During this interval, the VOUT output is fixed in 1.0x mode and the LED undercurrent detector signal is ignored.

For example, if the VIN voltage is low and the VOUT output voltage in 1.0x mode does not provide sufficient drive current, then the mode reset will cause a LED undercurrent condition. The LED undercurrent detector circuit will output an LED undercurrent signal immediately after the switch to 1.0x mode, but the output will stay in 1.0x mode and not return to 1.5x mode for the duration of the mode hold time. Consequently, the VOUT output is not boosted during the 85us (min) to 200us (max) mode hold time and the voltage drops and the LED brightness is reduced. However, the LEDs are OFF for a maximum of 200us only, and this is not discernible to the naked eye and thus is not a problem.



VOUT drop due to the mode reset signal

8. FUNCTIONAL DESCRIPTION

C. VIN Input Voltage Range

The VIN minimum input voltage value to ensure rated drive current flows in each LED is determined by the ILED setting (largest setting if divided into 2 groups), the total load current IOUT on pin VOUT, and the LED forward-direction voltage drop VF, as given in the following equations:

$$VF \leq 1.5 \cdot VIN - 10 \cdot IOUT - 8 \cdot ILED \quad \dots \text{Eqn ①}$$

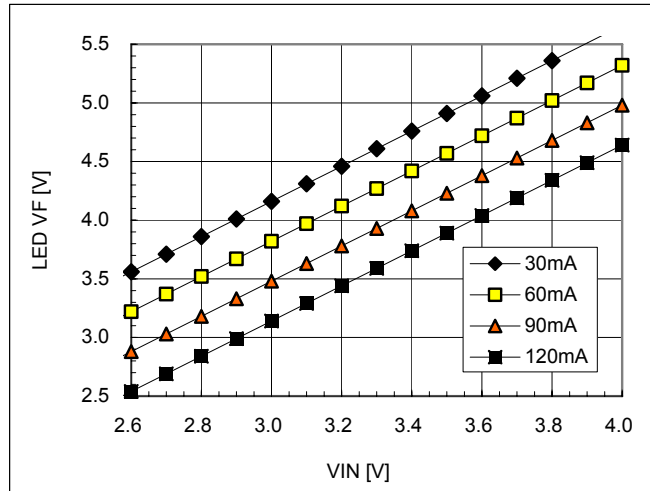
$$VIN \geq (VF + 10 \cdot IOUT + 8 \cdot ILED) / 1.5 \quad \dots \text{Eqn ②}$$

Where 1.5 is the charge pump boost factor, 10 is the VOUT output impedance, and 8 is the LED drive circuit internal resistance.

For example, if VIN = 3.5V, ILED = 20mA, and IOUT = 120mA, then VF is given by equation as follows:

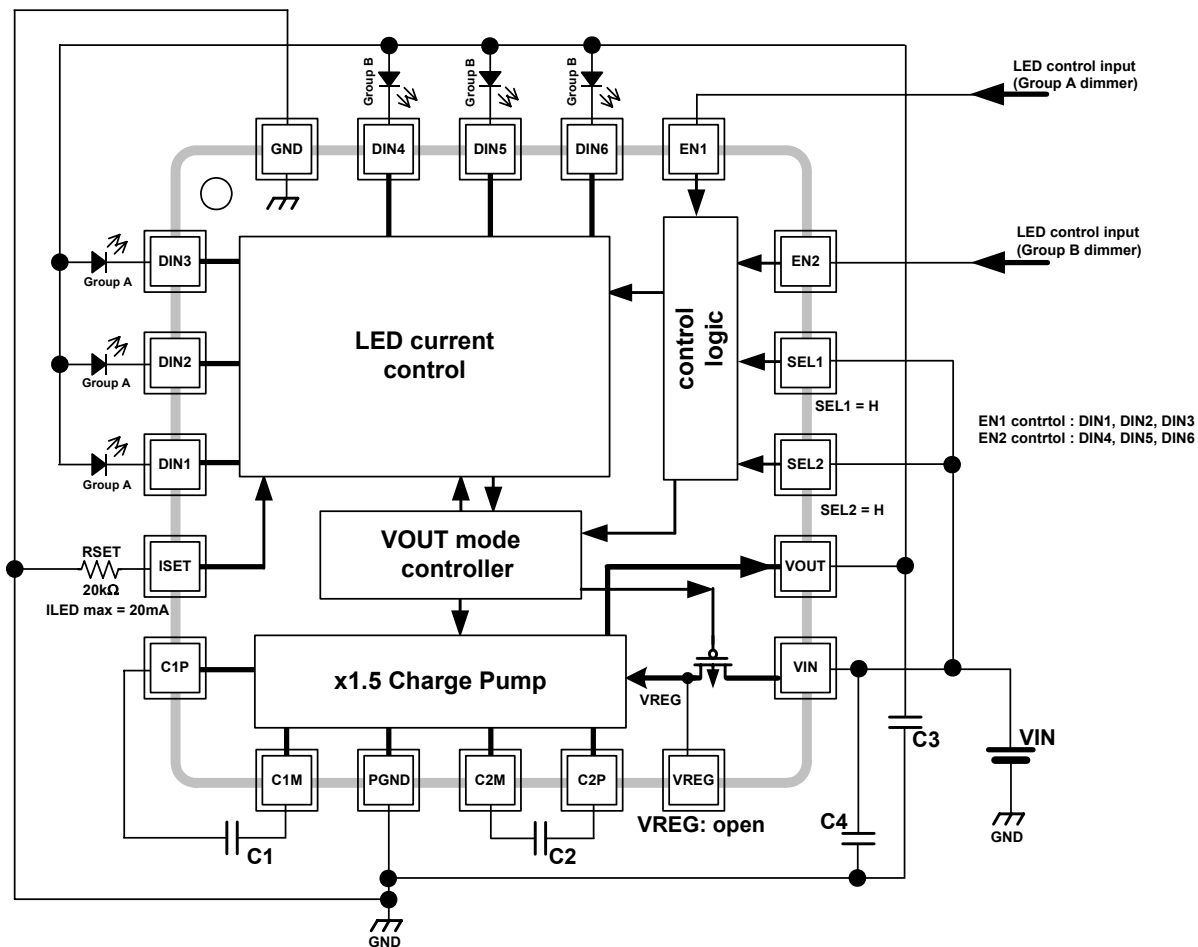
$$1.5 \cdot 3.5 - 10 \cdot 0.12 - 8 \cdot 0.02 = 3.89V$$

Thus if LEDs with VF of 3.89V or lower rating at ILED = 20mA are used, the device will provide sufficient drive current. If VIN falls and the drive LED VF exceeds the calculated value, VIN will take ILED down with it below the required setting. The relationship in equation is shown graphically for values of IOUT = 30/60/90/120mA.



VIN voltage and LED forward-direction voltage drop limit value

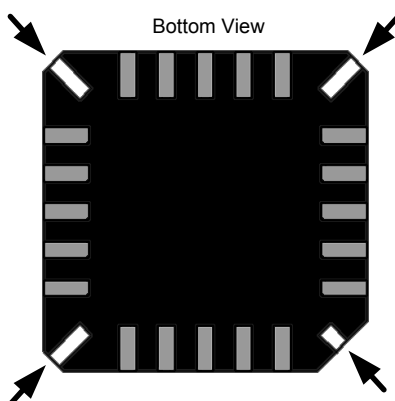
9. TYPICAL APPLICATION CIRCUIT



Group 3-3 setting, ILEDmax = 20mA circuit example

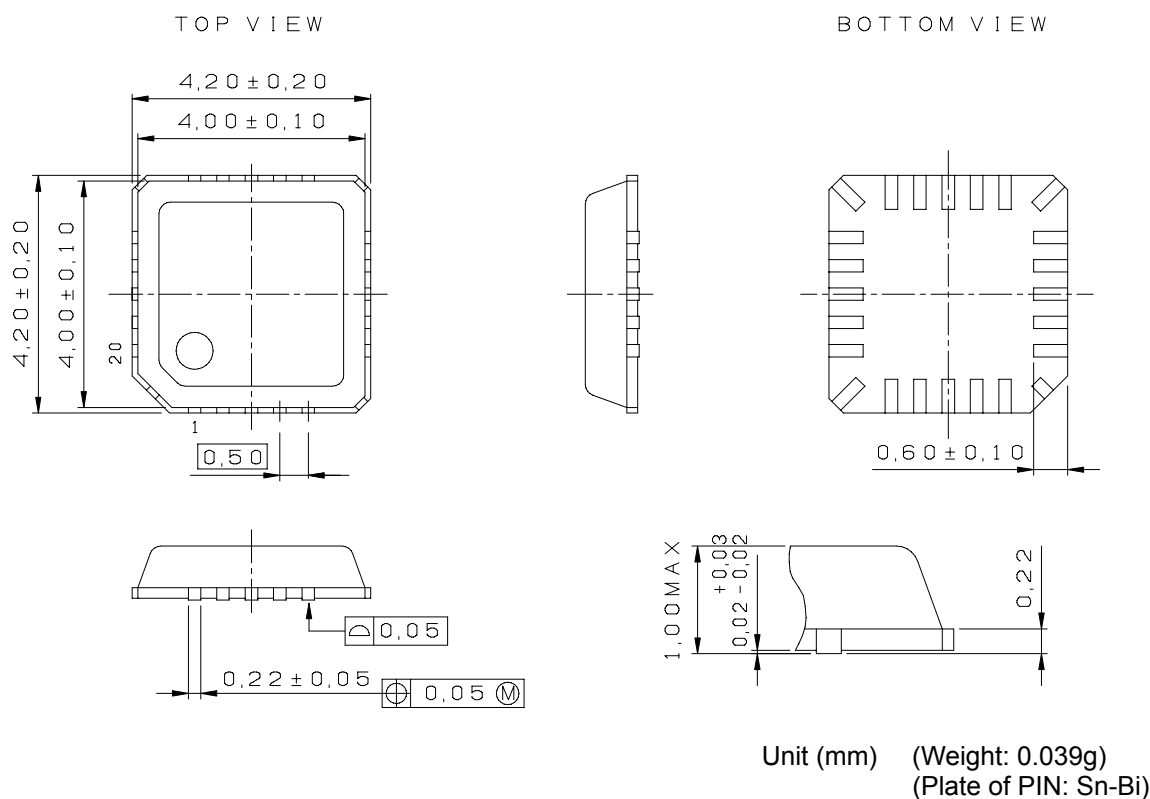
10. ASSEMBLING PRECAUTION

10. ASSEMBLING PRECAUTION

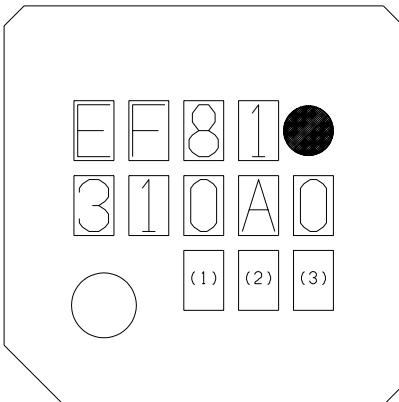


Package corner metals are not IC I/O pins. Don't connect any lines to these corner metals.

11. PACKAGE DIMENSIONS



12. PACKAGE MARKINGS



(1) to (3) : Date Code

AMERICA

EPSON ELECTRONICS AMERICA, INC.

HEADQUARTERS

150 River Oaks Parkway
San Jose, CA 95134, U.S.A.
Phone: +1-800-228-3964 FAX: +1-408-922-0238

SALES OFFICES

West

1960 E. Grand Avenue Flr 2
El Segundo, CA 90245, U.S.A.
Phone: +1-800-249-7730 FAX: +1-310-955-5400

Central

101 Virginia Street, Suite 290
Crystal Lake, IL 60014, U.S.A.
Phone: +1-800-853-3588 FAX: +1-815-455-7633

Northeast

301 Edgewater Place, Suite 210
Wakefield, MA 01880, U.S.A.
Phone: +1-800-922-7667 FAX: +1-781-246-5443

Southeast

3010 Royal Blvd. South, Suite 170
Alpharetta, GA 30005, U.S.A.
Phone: +1-877-332-0020 FAX: +1-770-777-2637

EUROPE

EPSON EUROPE ELECTRONICS GmbH

HEADQUARTERS

Riesstrasse 15
80992 Munich, GERMANY
Phone: +49-89-14005-0 FAX: +49-89-14005-110

DÜSSELDORF BRANCH OFFICE

Allstadtstrasse 176
51379 Leverkusen, GERMANY
Phone: +49-2171-5045-0 FAX: +49-2171-5045-10

FRENCH BRANCH OFFICE

1 Avenue de l'Atlantique, LP 915 Les Conquerants
Z.A. de Courtaboeuf 2, F-91976 Les Ulis Cedex, FRANCE
Phone: +33-1-64862350 FAX: +33-1-64862355

BARCELONA BRANCH OFFICE

Barcelona Design Center

Edificio Testa, C/Alcalde Barnils 64-68, Modulo C 2a planta
E-08190 Sant Cugat del Vallès, SPAIN
Phone: +34-93-544-2490 FAX: +34-93-544-2491

UK & IRELAND BRANCH OFFICE

8 The Square, Stockley Park, Uxbridge
Middx UB11 1FW, UNITED KINGDOM
Phone: +44-1295-750-216/+44-1342-824451
FAX: +44-89-14005 446/447

Scotland Design Center

Integration House, The Alba Campus
Livingston West Lothian, EH54 7EG, SCOTLAND
Phone: +44-1506-605040 FAX: +44-1506-605041

ASIA

EPSON (CHINA) CO., LTD.

23F, Beijing Silver Tower 2# North RD DongSanHuan
ChaoYang District, Beijing, CHINA
Phone: +86-10-6410-6655 FAX: +86-10-6410-7320

SHANGHAI BRANCH

7F, High-Tech Bldg., 900, Yishan Road,
Shanghai 200233, CHINA
Phone: +86-21-5423-5522 FAX: +86-21-5423-5512

EPSON HONG KONG LTD.

20/F., Harbour Centre, 25 Harbour Road
Wanchai, Hong Kong
Phone: +852-2585-4600 FAX: +852-2827-4346
Telex: 65542 EPSCO HX

EPSON Electronic Technology Development (Shenzhen) LTD.

12/F, Dawning Mansion, Keji South 12th Road,
Hi-Tech Park, Shenzhen
Phone: +86-755-2699-3828 FAX: +86-755-2699-3838

EPSON TAIWAN TECHNOLOGY & TRADING LTD.

14F, No. 7, Song Ren Road,
Taipei 110
Phone: +886-2-8786-6688 FAX: +886-2-8786-6677

HSINCHU OFFICE

No. 99, Jiangong Road,
Hsinchu City 300
Phone: +886-3-573-9900 FAX: +886-3-573-9169

EPSON SINGAPORE PTE., LTD.

1 HarbourFront Place,
#03-02 HarbourFront Tower One, Singapore 098633
Phone: +65-6586-5500 FAX: +65-6271-3182

SEIKO EPSON CORPORATION

KOREA OFFICE

50F, KLI 63 Bldg., 60 Yoido-dong
Youngdeungpo-Ku, Seoul, 150-763, KOREA
Phone: +82-2-784-6027 FAX: +82-2-767-3677

GUMI OFFICE

2F, Grand B/D, 457-4 Songjeong-dong,
Gumi-City, KOREA
Phone: +82-54-454-6027 FAX: +82-54-454-6093

SEIKO EPSON CORPORATION SEMICONDUCTOR OPERATIONS DIVISION

IC Sales Dept.

IC Marketing Group

421-8, Hino, Hino-shi, Tokyo 191-8501, JAPAN
Phone: +81-42-587-5814 FAX: +81-42-587-5117