

FEATURES

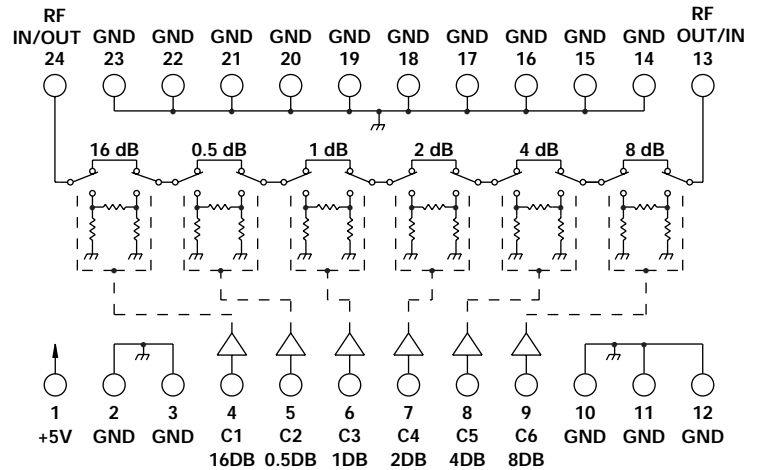
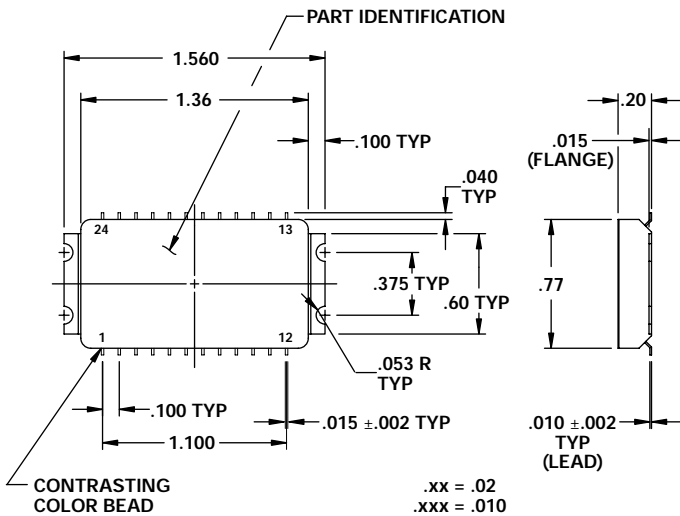
- 40 - 800 MHz
- SPACE Application
- Hermetic Package
- Surface Mount
- Radiation Tolerant, 100 K Rad



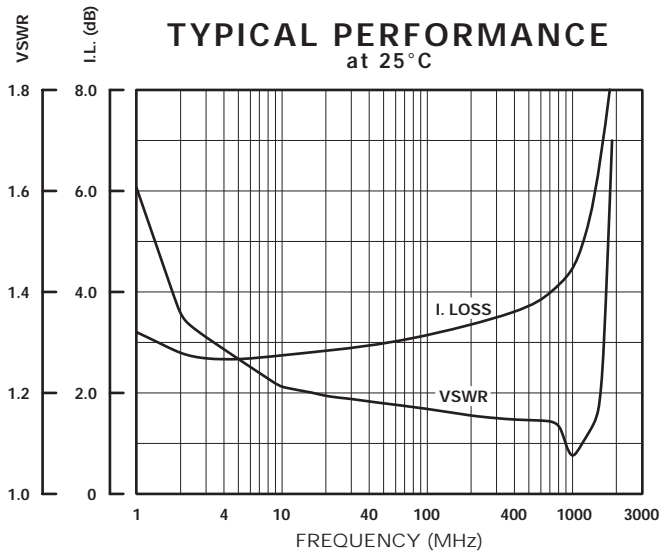
MODEL NO.
CAT15066

GaAs 6 Section Attenuator

6 BIT



GUARANTEED PERFORMANCE



Parameter	Min	Typ	Max	Units	Conditions
Operating Frequency	40		800	MHz	
DC Current		1	5	mA	At +5 VDC Supply
Control Type		CMOS			6 Line Logic "0" = Thru Logic "1" = Attenuation
Control Current	High	0	±40	µA	3 - 5 Volts
	Low	0	±40	µA	0 - 0.5 Volts
Insertion Loss		4.2	5.5	dB	40 - 100 MHz
		6.3	7.5	dB	100 - 800 MHz
Attenuation	LSB	0	0.5	dB	
	Range		31.5	dB	0.5, 1, 2, 4, 8, 16
	Accuracy			dB	± (0.25 dB + 2% of Atten Setting in dB)
	Flatness	0.05	±0.2	dB	
VSWR		1.18/1	1.3/1		
Impedance		50		OHMS	
Switching Speed		22	50	nSec	50% Control Signal
					90% / 10% RF
Transition (Rise/Fall) Time		8		nSec	10% / 90% or 90% / 10% RF
Switching (Video) Transients		110		mV	Peak Value
Intercept Points	2nd	+61	+66	dBm	70 / 50 MHz Inputs
	3rd	+34	+42	dBm	90 / 50 MHz Inputs
RF Power	Operate		+23	dBm	0.1 dB Compression
	No Damage		+27	dBm	
Operating Temperature	0	+25	+65	°C	TA
Non-Operating Temperature	-34		+95	°C	TA