

TOSHIBA INTEGRATED CIRCUIT

TECHNICAL DATA

TA7698AP

TOSHIBA BIPOLAR LINEAR INTEGRATED CIRCUIT

SILICON MONOLITHIC

TENTATIVE

VIDEO-CHROMA-DEFLECTION SYSTEM
FOR A COLOR TELEVISION (PAL, NTSC)

The TA7698AP combines a PAL/NTSC Video-Chroma subsystem and a Deflection combination on a single monolithic integrated circuit to provide a PAL or PAL/NTSC color television. This device includes a Video amplifier, PAL and NTSC color demodulator these are designed to provide color differential signal outputs, and improved Sync-separator, Horizontal oscillator with saw tooth wave type AFC, Horizontal pre-driver with X'ray protection circuit, Vertical oscillator and Vertical pre-driver in a 42 leads dual-in-line type plastic package.

FEATURES:

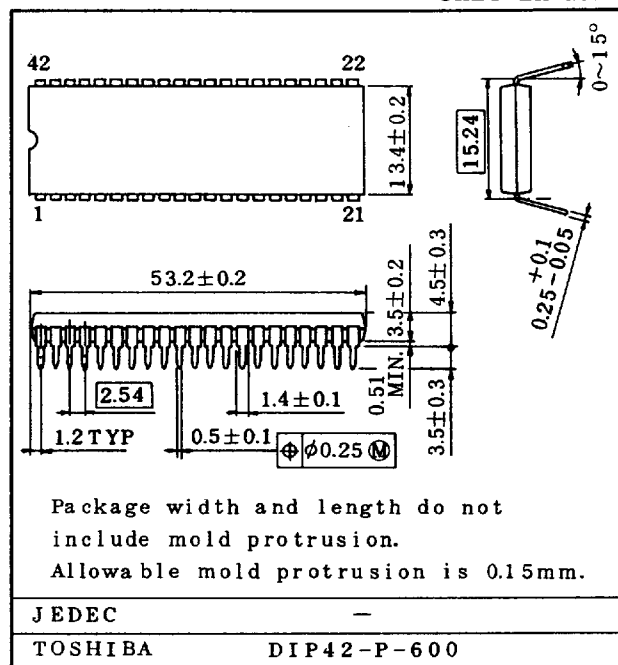
Video-Chroma Section

- . Simple PAL/NTSC System switch (Demodulator, Flip-flop, Tint control for NTSC)
- . Suitable to a Multi-CTV System :
 - TA7698AP ... PAL/NTSC Dual System
 - TA7698AP + SECAM combination ... 3 or more system
- . Minimum Numbers of External Parts Required.
- . Stabilized with Respect to Variation of Temperature and Supply Voltage.
- . A Few Initial Adjustment Required.

Deflection Section

- . Excellent Temperature Stability of Horizontal Oscillator.
- . Exact 50% Duty Cycle Output Due to the 2-f_H Oscillator and Flip-Flop Circuit.
- . Excellent Inter-race.

Unit in mm



9097247 0019726 3T5

The information contained herein is presented only as a guide for the applications of our products. No responsibility is assumed by TOSHIBA for any infringements of patents or other rights of the third parties which may result from its use. No license is granted by implication or otherwise under any patent or patent rights of TOSHIBA or others.

TA7698AP-1
1988-10-25

TOSHIBA CORPORATION

Be sure to visit ChipDocs site for more information
<http://www.chipdocs.com>

Downloaded from Elcodis.com electronic components distributor

MAXIMUM RATINGS (Ta=25°C)

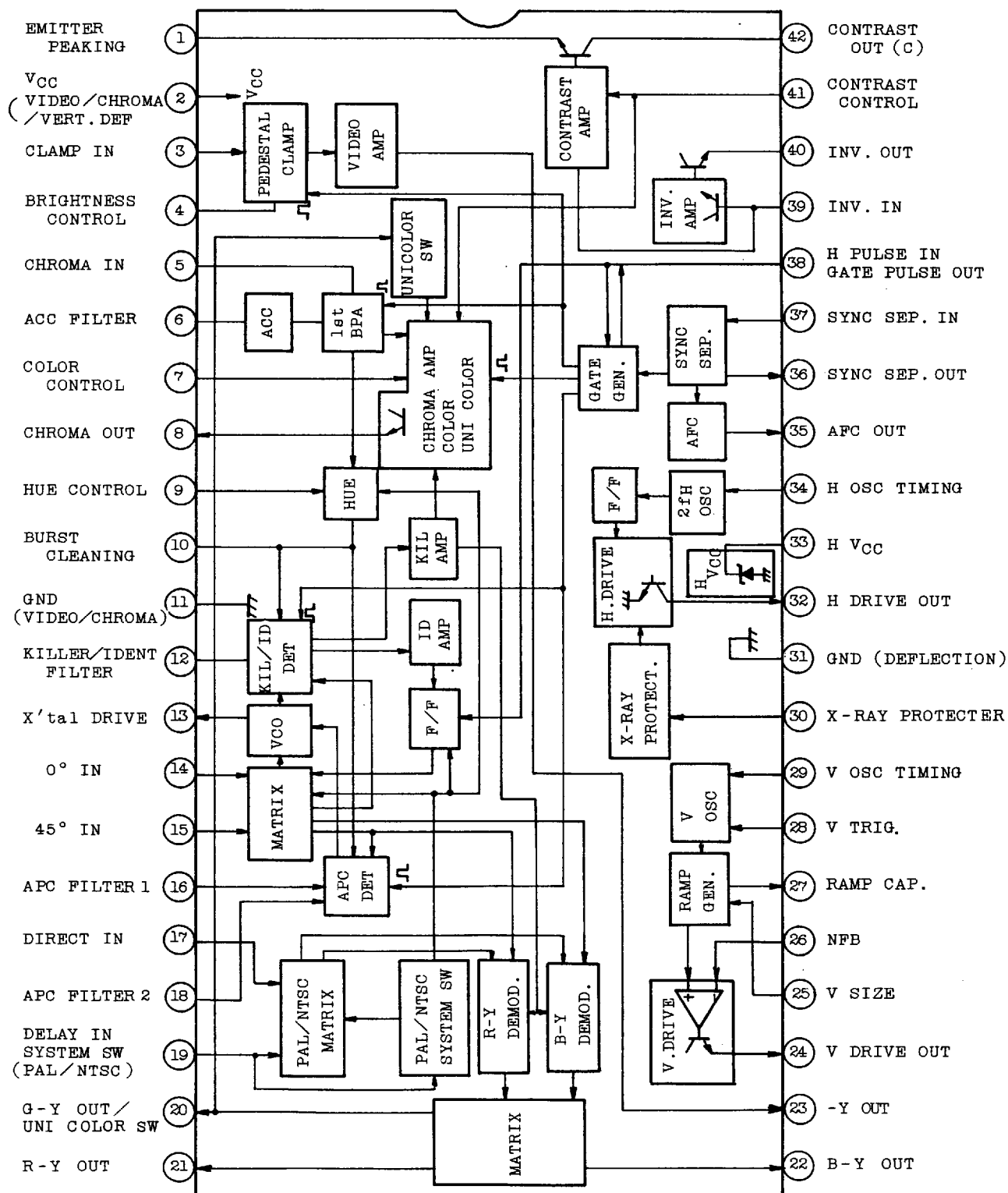
CHARACTERISTIC	SYMBOL	RATING	UNIT
Supply Voltage	VCC MAX	15	V
Horiz. Supply Current	ICC MAX	40	mA
Max. Input Signal Level	eIN3,5,14,15,17, 19,28,37,39	5	Vp-p
Max. Control Terminal Voltage	V4MAX, V5MAX, V7MAX, V9MAX	VCC	V
Term. 1 Max. Output Current	I1 MAX	4	mA
Term. 8 Max. Output Current	I8 MAX	10	mA
Term. 10 Max. Output Current	I10 MAX	4	mA
Term. 13 Max. Output Current	I13 MAX	4	mA
Min. Load Resistance	RLD	1.8	kΩ
Term. 23 Max. Output Current	I23 MAX	4	mA
Vertical Stage Output Current	I24 MAX	20	mA
Term. 25 Max. Output Current	I25 MAX	4	mA
Term. 26 Max. Input Voltage	V26 MAX	VCC	V
Term. 27 Max. Output Current	I27 MAX	20	mA
Term. 30 MAX. Input Current	-I30 MAX	1	mA
Horiz. Max. Sink Current	-I24 MAX	30	mA
Horiz. Ave. Sink Current	-I24	15	mA
Term. 35 Max. Input Voltage	V35 MAX	VCC	V
Term. 36 Max. Voltage	V36 MAX	VCC	V
Term. 38 Max. Input Voltage	V38 MAX	5	V
Term. 40 Max. Output Current	I40 MAX	5	mA
Term. 42 Max. Sink Current	-I42 MAX	4	mA
Max. Power Dissipation	PD MAX	2.2	W
Operating Temperature	Topr	-20~65	°C
Storage Temperature	Tstg	-55~150	°C

Note: Derated above Ta=25°C in the proportion of 17.6mW/°C.

■ 9097247 0019727 231 ■

TA7698AP-2
1988-10-25
TOSHIBA CORPORATION

BLOCK DIAGRAM



TA7698AP-3

1988-10-25

TOSHIBA CORPORATION

9097247 0019728 178

TA1A12(2)

Be sure to visit ChipDocs site for more information
<http://www.chipdocs.com>

Downloaded from [Elcodis.com](http://www.Elcodis.com) electronic components distributor

ELECTRICAL CHARACTERISTICS (Unless otherwise specified, V₂=12V, T_a=25°C)
VIDEO SECTION (1)

CHARACTERISTIC	SYMBOL	TEST CCT	TEST PIN	SW	SW	SW	SW	TEST CONDITION	MIN.	TYP.	MAX.	UNIT
				36	41	4A	4B					
Recommendable Supply Voltage	V _{CC1}								10.8	12	13.2	V
12V Supply Current	I _{CC1}	1	2						60	82	106	mA
Video Gain	GV	2	23 39	OFF	ON	OFF	ON	V _C =10V, V _X =4.25V, V _Z =4.0V v ₃₉ :500kHz lVp-p(Multi Burst) GV=20log(v ₂₃ /v ₃₉)	3	6	7	dB
				OFF	ON	OFF	ON	V _C =10V~2V, V _X =4.25V, V _Z =4.0V v ₃₉ :500kHz lVp-p(Multi Burst) ΔGV=20log(v ₂₃ MAX./v ₂₃ MIN.)	40	-	-	dB
Video Frequency Characteristics	ΔGVF	2	23	OFF	ON	OFF	ON	V _C =10V, V _X =4.25V, V _Z =4.0V v ₃₉ :500kHz, 4.0MHz lVp-p (Multi Burst)	-3.5	-1.5	0.5	dB
				OFF	ON	OFF	ON	ΔGVF=20log(v ₂₃ 4MHz/v ₂₃ 500kHz)				
DC Restoration Ratio	K	2	23	OFF	ON	OFF	ON	V _C =10V, V _Z =4.0V V _X :Pedestal #39=3.25V v ₃₉ :2.5Vp-p 10 STEP APL 10%~90%	63	70	77	%
				OFF	ON	OFF	ON	$K = (1 - \frac{4v_{23} \text{ pedestal}}{v_{23} 100\% \text{ APL}}) \times 100$				
Max. Video Output	v ₂₃ MAX	2	23	OFF	OFF	OFF	ON	V _X =4.25V, v ₃₉ :No Signal V _Z =2V~7V 10% to 90% of Variation	5.0	7.5	-	Vp-p
				OFF	OFF	OFF	ON	V _X =4.25V, V _Z =4.0V v ₃₉ :No Signal T _a =-20°C~65°C	-2.5	0	2.5	mV/°C

9097247 0019729 004

TA7698AP-4

1988-10-25

TOSHIBA CORPORATION

VIDEO SECTION (2)

CHARACTERISTIC	SYMBOL	TEST CCT	TEST PIN	SW				TEST CONDITION	MIN.	TYP.	MAX.	UNIT
				36	41	4A	4B					
Inverter Amp. Gain	GR	2	40	OFF	OFF	OFF	OFF	VX=4.25V V39=500kHz, 1Vp-p GR=20log (V40/V39)	2.2	3.5	4.6	dB
Inverter Amp. Differential	DGR	2	40	OFF	OFF	OFF	OFF	VX:3.3~5.3V V39:3.58MHz, 100mVp-p DGR=(V40MAX/V40MIN-1) X 100	-	2.5	5	%
Inverter Amp. Differential Phase	DPR	2	40	OFF	OFF	OFF	OFF	VX:3.3~5.3V V39:3.58MHz, 100mVp-p DPR=φ40MAX-φ40MIN	-	3	5	deg
Inverter Amp. Frequency Characteristics	4GRf	2	40	OFF	OFF	OFF	OFF	VX=4.25V V39=500kHz, 4MHz, 1Vp-p 4GRf=20log (V40 4MHz/V40 500kHz)	-3.5	-0.1	0.5	dB
Inverter Amp. 3.58MHz Linearity	V L39	2	39 40	OFF	OFF	OFF	OFF	VX=4.25V Measure #39 input level at #40 maximum output.	1.6	-	-	Vp-p
Contrast Control Open Voltage	V41	1	41	-	-	-	-		6.7	7.2	7.7	V
Color Control Open Voltage	V7	1	7	-	-	-	-		5.5	6.0	6.5	V
Tint Control Open Voltage	V9	1	9	-	-	-	-		5.5	6.0	6.5	V
Pedestal Amp. Gain	Gp		3 23	OFF	ON	OFF	ON	VX=4.25V, VZ=4V V39=500kHz, 1Vp-p(Multi Burst) Gp=20log (V23/V3)	9.5	12.0	13.5	dB

TA7698AP-5
1988-10-25

TOSHIBA CORPORATION

9097247 0019730 826

CHROMA (1) PAL (Unless otherwise specified, $V_C=10V$, $V_S=10V$, SW36:ON, SW10:OFF, SW4A:ON, SW4B:ON)

CHARACTERISTIC	SYMBOL	TEST CCT	TEST PIN	TEST CONDITION						MIN.	TYP.	MAX.	UNIT	
				SW 41	SW 7	SW 9	SW 12	SW 15	SW 20					
Max. Chroma Output Voltage	eCmp	3	8	ON	ON	OFF	a	b	ON	$v_5=120mVp-p$ (B:C=1:1)	0.5	0.75	1.05	Vp-p
Burst Output Voltage	ebp	3	10	ON	ON	OFF	a	b	ON	$v_5=120mVp-p$ (B:C=1:1)	0.45	0.70	0.95	Vp-p
ACC Characteristics (1)	eap	3	8	ON	ON	OFF	a	b	ON	$v_5=15mVp-p$ (B:C=1:1)	0.2	0.43	-	Vp-p
ACC Characteristics (2)	Ap	3	8	ON	ON	OFF	a	b	ON	$v_5=100mVp-p$, 300mVp-p (B:C=1:1) $Ap = \frac{v_8(v_5=300mVp-p)}{v_8(v_5=100mVp-p)}$	-	1.0	1.3	-
Chroma Input Dynamic Range	eCIP	3	8	ON	ON	OFF	a	b	ON	$v_5=100mVp-p \rightarrow 800mVp-p$	500	600	-	mVp-p
Uni Color Control Range (1)	$\Delta eCUP$	3	8	ON	ON	OFF	a	b	ON	$V_C=4\sim 10V$, $V_S=10V$ $v_5=120mVp-p$ (B:C=1:1) $\Delta eCUP = 20 \log \frac{v_8(v_C=10V)}{v_8(v_C=4V)}$	40	-	-	dB
Uni Color Control Range (2) (Switch OFF)	$\Delta eCU2P$	3	8	ON	ON	OFF	a	b	OFF	Same as above	-	0	-	dB
Uni Color Control Phase Shift	$\Delta \theta$ Up	3	8	ON	ON	OFF	a	b	ON	$V_C=4V\sim 10V$, $V_S=10V$ $v_5=120mVp-p$ (B:C=1:1)	-	-	5	deg
Residual Color	CKp	3	8	ON	ON	OFF	a	b	ON	$V_C=10V$, $V_S=0V$ $v_5=120mVp-p$ (B:C=1:1)	-	-	3	mVp-p

TA7698AP-6
1988-10-25

TOSHIBA CORPORATION

9097247 0019731 762

CHROMA (2) PAL

CHARACTERISTIC	SYMBOL	TEST CCT	TEST PIN	SW						TEST CONDITION	MIN.	TYP.	MAX.	UNIT
				41	7	9	12	15	20					
Color Control Phase Shift	$\Delta\theta$ CCP	3	8	ON	ON	OFF	a	b	ON	VC=10V, VS=2-10V $v_5=120mVp-p(B:C=1:1)$	-	3	-	deg
Burst-Chroma Phase Difference	$\Delta\theta$ bCp	3	8 10	ON	ON	OFF	a	b	ON	Burst phase difference between pin 8 and pin 10.	-	60	-	deg
Tint Control Range	$\Delta\theta$ bH1p	3	10	ON	ON	ON	a	b	ON		-	0	-	deg
Tint Control Phase Distribution	$\Delta\theta$ bH2p	3	10	ON	ON	ON	a	b	ON		-	0	-	deg
Killer Det. Sensitivity	eKp	3	8 10	OFF	ON	OFF	a	a	ON	Change the burst level at pin 5 from 0 to 150mVp-p. Measure burst level at pin 10 when killer starts to operate.	30	60	110	mVp-p
Ident Det. Sensitivity	eIp	3	21 10	OFF	ON	OFF	a	a	ON	Change burst level at pin 5 from 0 to 150mVp-p. Measure burst level at pin 10 when ident starts to operate.	-	60	-	mVp-p
APC Pull-in Range	fpp	3	13	OFF	OFF	OFF	a	a	ON	$v_5=120mVp-p$ burst	± 300	± 500	-	Hz
Phase Det. Sensitivity	μ p	3	16 18	OFF	OFF	OFF	a	c	ON	$v_5=120mVp-p$ burst	-	25	-	mV/deg
Control Sensitivity	β p	3	13 16 18	OFF	OFF	OFF	a	a	ON	$v_5=120mVp-p$ burst	-	2.2	-	Hz/mV

TA7698AP-7

1988-10-25

TOSHIBA CORPORATION

9097247 0019732 679

CHROMA (3) PAL

CHARACTERISTIC	SYMBOL	TEST CCT	TEST PIN	TEST CONDITION						MIN.	TYP.	MAX.	UNIT
				SW 41	SW 7	SW 9	SW 12	SW 15	SW 20				
Color Differential Output Voltage	eORp	3	21	ON	ON	OFF	a	a	ON	1.8	2.4	3.0	Vp-p
	eOG		20	ON	ON	OFF	a	a	ON	-	-	-	
	eOBp		22	ON	ON	OFF	a	a	ON	3.2	4.2	5.4	
Max. Color Differential Output Voltage	eORMp	3	21	ON	ON	OFF	a	a	ON	3.8	5.5	-	Vp-p
	eOGMp		20	ON	ON	OFF	a	a	ON	-	-	-	
	eOBMp		22	ON	ON	OFF	a	a	ON	3.8	5.5	-	
Relative Amplitude	R-Y/B-Yp	3	21/ 22	ON	ON	OFF	a	a	ON	0.46	0.56	0.66	-
	G-Y/B-Yp		20/ 22	ON	ON	OFF	a	a	ON	0.24	0.34	0.44	
Relative Phase	θ R-Yp	3	21/ 22	ON	ON	OFF	a	a	ON	220	90	100	deg
	θ G-Yp		20/ 22	ON	ON	OFF	a	a	ON	220	230	240	
Residual Carrier	ercRP	3	21	ON	ON	OFF	a	a	ON	-	-	300	mVp-p
	ercGp		20	ON	ON	OFF	a	a	ON	-	-	-	
	ercBp		22	ON	ON	OFF	a	a	ON	-	-	-	
Demodulator Bandwidth	fBRp	3	21	ON	ON	OFF	a	a	ON	1.1	2.1	3.2	MHz
	fBGp		20	ON	ON	OFF	a	a	ON	1.1	2.1	3.2	
	fBBp		22	ON	ON	OFF	a	a	ON	1.1	2.1	3.2	
Demo. Output DC Voltage	EORp	1	21	OFF	OFF	OFF	a	b	ON	6.8	7.4	8.0	V
	EOGp		20	OFF	OFF	OFF	a	b	ON	6.8	7.4	8.0	
	EOBp		22	OFF	OFF	OFF	a	b	ON	6.8	7.4	8.0	
Demo. Output DC Voltage Difference	EO(R-G)P	1	21	OFF	OFF	OFF	a	b	ON	-0.2	0	0.2	V
	EO(R-B)P		20	OFF	OFF	OFF	a	b	ON	-0.2	0	0.2	
	EO(B-G)P		22	OFF	OFF	OFF	a	b	ON	-0.2	0	0.2	

9097247 0019733 535

TA7698AP-8

1988-10-25

TOSHIBA CORPORATION

CHROMA (3) PAL

CHARACTERISTIC	SYMBOL	TEST CCT	TEST PIN	TEST CONDITION						MIN.	TYP.	MAX.	UNIT
				SW 41	SW 7	SW 9	SW 12	SW 15	SW 20				
Demo. Output DC Voltage Therm. Co-effic.	$\Delta EOR_{\theta P}$	1	21	OFF	OFF	OFF	a	b	ON	-3	-0.5	2	mV/°C
	$\Delta EOG_{\theta P}$		20										
	ΔEOB_{θ}		22										
Demo. Output Diffence Voltage Therm. Co-effic.	$E_O(R-G)_{\theta P}$	1	21	OFF	OFF	OFF	a	b	ON	-2	0	2	mV/°C
	$E_O(R-B)_{\theta P}$		20										
	$E_O(B-G)_{\theta}$		22										
System SW Threshold	V_{thS}	3	19	OFF	OFF	OFF	a	b	ON	2.4	3	3.6	V
DC Change by System SW	ΔEOR	3	21	OFF	OFF	OFF	a	b	ON	-100	0	100	mV
	ΔEOG		20										
	ΔEOB		22										

$v_{17}: 200mVp-p$
4.43618MHz
CW: 4.433618MHz

$v_{17}: 200mVp-p$
4.43618MHz

TA7698AP-9

1988-10-25

TOSHIBA CORPORATION

9097247 0019734 471

CHROMA (4) NTSC (Unless otherwise specified, VC=10V, VS=10V, SW36:ON, SW10:OFF, SW4A:ON, SW4B:ON)

CHARACTERISTIC	SYMBOL	TEST CCT	TEST PIN	TEST CONDITION						MIN.	TYP.	MAX.	UNIT
				SW 41	SW 7	SW 9	SW 12	SW 15	SW 20				
Max. Chroma Output Voltage	eCMN	4	8	ON	ON	OFF	a	b	ON	0.5	0.75	1.05	Vp-p
Burst Output Voltage	ebN	4	10	ON	ON	OFF	a	b	ON	0.45	0.70	0.95	Vp-p
ACC Characteristics (1)	eaN	4	8	ON	ON	OFF	a	b	ON	0.2	0.43	-	Vp-p
ACC Characteristics (2)	aN	4	8	ON	ON	OFF	a	b	ON	-	1.0	1.3	
Chroma Input Dynamic Range	eCIN	4	8	ON	ON	OFF	a	b	ON	500	600	-	mVp-p
Uni Color Control Range (1) (Uni Color SW ON)	4eCUN	4	8	ON	ON	OFF	a	b	ON	40	-	-	dB
Uni Color Control Range (2) (SW OFF)	4eCU2N	4	8	ON	ON	OFF	a	b	OFF	-	0	-	dB
Uni Color Control Phase Shift	4θUN	4	8	ON	ON	OFF	a	b	ON	-	-	5	deg
Residual Color	eCKN	4	8	ON	ON	OFF	a	b	ON	-	-	3	mVp-p

TA7698AP-10

1988-10-25

TOSHIBA CORPORATION

9097247 0019735 308

1A12(2)

Be sure to visit ChipDocs site for more information
<http://www.chipdocs.com>

Downloaded from Elcodis.com electronic components distributor

CHROMA (5) NTSC

CHARACTERISTIC	SYMBOL	TEST CCT	TEST PIN	SW						TEST CONDITION	MIN.	TYP.	MAX.	UNIT
				41	7	9	12	15	20					
Color Control Phase Shift	$\Delta\theta_{CCN}$	4	8	ON	ON	OFF	a	b	ON	$V_C=10V, V_S=2\sim 10V$ $v_5=120mVp-p (B:C=1:1)$	-	3	7	deg
Burst-Chroma Phase Difference	$\Delta\theta_{bcN}$	4	8 10	ON	ON	OFF	a	b	ON		-	60	-	deg
Tint Control Range	$\Delta\theta_{bH1N}$	4	10	ON	ON	ON	a	b	ON	$V_C=10V$ $V_I=2\sim 10V$ $v_5=120mVp-p$ (B:C=1:1)	75	95	110	deg
										$f=4.43MHz$	100	120	140	
Tint Control Phase Distribution	$\Delta\theta_{bH2N}$	4	10	ON	ON	ON	a	b	ON	$V_C=10V$ $v_5=120mVp-p$ (B:C=1:1) v_7	34	47	62	deg
										$f=4.43MHz$	45	60	80	
Killer Det. Sensitivity	eKN	4	8 10	ON	ON	OFF	a	a	ON		15	30	75	mVp-p
APC Pull-in Range	fPN	4	13	OFF	OFF	OFF	a	a	ON		± 300	± 500	-	Hz
Phase Det. Sensitivity	μN	4	16 18	OFF	OFF	OFF	a	c	ON		-	25	-	mV/deg
Control Sensitivity	βN	4	13 16 18	OFF	OFF	OFF	a	a	ON		-	2.2	-	Hz/mV

TA7698AP-11

1988-10-25

TOSHIBA CORPORATION

9097247 0019736 244

CHROMA (6) NTSC

CHARACTERISTIC	SYMBOL	TEST CCT	TEST PIN	SW						TEST CONDITION	MIN.	TYP.	MAX.	UNIT
				41	7	9	12	15	20					
Color Differential Output Voltage	eORN	4	21	ON	ON	OFF	a	a	ON	v ₁₇ :100mVp-p 4.443618MHz CW:4.433618MHz	3.0	4.1	5.3	Vp-p
	eOGN		20	ON	ON	OFF	a	a	ON		1.0	1.6	2.2	
	eOBN		22	ON	ON	OFF	a	a	ON		3.0	4.1	5.3	
Max. Color Differential Output Voltage	eORMN	4	21	ON	ON	OFF	a	a	ON	v ₁₇ :500mVp-p 4.443618MHz CW:4.433618MHz	4.5	5.5	-	Vp-p
	eOGMN		20	ON	ON	OFF	a	a	ON		1.4	1.8	-	
	eOBMN		22	ON	ON	OFF	a	a	ON		4.5	5.5	-	
Relative Amplitude	R-Y/B-YN	4	21/ 22	ON	ON	OFF	a	a	ON	v ₁₇ :100mVp-p 4.443618MHz CW:4.433618MHz	0.88	1.00	1.1	-
	G-Y/B-YN		20/ 22	ON	ON	OFF	a	a	ON		0.28	0.38	0.48	
Relative Phase	θR-YN	4	21/ 22	ON	ON	OFF	a	a	ON		-	105	-	deg
	θG-YN		20/ 22	ON	ON	OFF	a	a	ON		-	235	-	
Residual Carrier	ercRN	4	21	ON	ON	OFF	a	a	ON		-	-	300	mVp-p
	ercGN		20	ON	ON	OFF	a	a	ON		-	-	-	
	ercBN		22	ON	ON	OFF	a	a	ON		-	-	-	
Demodulator Band Width	fBRN	4	21	ON	ON	OFF	a	a	ON	v ₁₇ :100mVp-p, 10kHz~5MHz	1.1	2.1	3.2	MHz
	fBGN		20	ON	ON	OFF	a	a	ON					
	fBBN		22	ON	ON	OFF	a	a	ON					
Demo. Output DC Voltage	EORN	1	21	OFF	OFF	OFF	a	b	ON	v ₁₇ :	6.8	7.4	8.0	V
	EOGN		20	OFF	OFF	OFF	a	b	ON					
	EOBN		22	OFF	OFF	OFF	a	b	ON					
Demo. Output DC Voltage Difference	EO(R-G)N	1	21	OFF	OFF	OFF	a	b	ON		-0.3	0	0.3	V
	EO(G-B)N		20	OFF	OFF	OFF	a	b	ON					
	EO(B-G)N		22	OFF	OFF	OFF	a	b	ON					

TA7698AP-12

1988-10-25

TOSHIBA CORPORATION

9097247 0019737 180

CHROMA (6) NTSC

CHARACTERISTIC	SYMBOL	TEST CCT	TEST PIN	TEST CONDITION						MIN.	TYP.	MAX.	UNIT
				SW 41	SW 7	SW 9	SW 12	SW 15	SW 20				
Demo. Output DC Voltage Therm. Co-effic.	$\Delta E_{OR}\theta_N$	1	21	OFF	OFF	OFF	a	b	ON	-3	0	2	mV/°C
	$\Delta E_{OG}\theta_N$		20	OFF	OFF	OFF	a	b	ON	-3	0	2	mV/°C
	$\Delta E_{OB}\theta_N$		22	OFF	OFF	OFF	a	b	ON	-3	0	2	mV/°C
Demo. Output Diff. Voltage Therm. Co-effic.	$\Delta E_O(R-G)\theta_N$	1	21	OFF	OFF	OFF	a	b	ON	-2	0	2	mV/°C
	$\Delta E_O(R-B)\theta_N$		20	OFF	OFF	OFF	a	b	ON	-2	0	2	mV/°C
	$\Delta E_O(B-G)\theta_N$		22	OFF	OFF	OFF	a	b	ON	-2	0	2	mV/°C

TA7698AP-13

1988-10-25

TOSHIBA CORPORATION

HORIZONTAL SECTION (1) (SW24, SW27, SW28 : OFF, SW29:a)

CHARACTERISTIC	SYMBOL	TEST CCT	TEST PIN	TEST CONDITION					MIN.	TYP.	MAX.	UNIT
				SW 34	SW 35	SW 36	SW 37	SW 32				
Horizontal Regulated Voltage	V33	1	33	-	-	-	-	-	7.4	8.2	9.0	V
Recommendable Supply Current	I33	5	33						22	26	30	mA
Horizontal Free Running Frequency	f _H	5	34	OFF	OFF	OFF	b	a	14.725	15.625	16.125	kHz
f _H Thermal Drift	4f _{HT}	5	34	OFF	OFF	OFF	b	a	-90	70	230	Hz
AFC Clamping Voltage	V _{CL}	1	35	-	-	-	-	a	3.9	4.5	5.1	V
AFC Sink Current	I _{IN35}	1	35	-	-	-	-	a	2.7	3.7	5.0	mA
AFC Source Current	I _{O35}	1	35	-	-	-	-	a	2.7	4.0	5.0	mA
Horiz. Drive Residual Voltage	V _{OL32}	5	32	OFF	OFF	OFF	b	a	-	-	0.3	V
Horiz. Output Pulse Duty	T _{O32}	5	32	OFF	OFF	OFF	b	a	45	50	55	%
Horiz. Osc. Starting Voltage	V ₃₃ START	5	33	OFF	OFF	OFF	b	a	-	-	4.0	V

TA7698AP-14

1988-10-25

TOSHIBA CORPORATION

9097247 0019739 T53

HORIZONTAL SECTION (2)

CHARACTERISTIC	SYMBOL	TEST CCT	TEST PIN	SW					TEST CONDITION	MIN.	TYP.	MAX.	UNIT
				34	35	36	37	32					
4V Supply Current	I ₃₃ START	5	33	OFF	OFF	OFF	b	a	V _B =4V Measure I ₃₃	4.6	6.7	8.8	mA
AFC Pull-in Range	ΔfH PULL	5	32 37	ON	ON	OFF	a b	a	V _H :Variable Observe #32 and #37 waveform. S37 a→b, Measure the frequency difference.	-	±900	-	Hz
AFC Hold Range	ΔfH HOLD	5	32 37	ON	ON	OFF	a b	a	Same as above	-	±1800	-	Hz
AFC Voltage Sensitivity	β _H	5	32	OFF	OFF	OFF	b	a	V _A =4.5V, Set V _H so that f _H will be 15.75kHz. Then, change V _A 4V±0.5V, Measure f _H difference.	-	1900	-	Hz/V
X'ray Protector Voltage Sensitivity	V _{IN30}	5	30	OFF	OFF	OFF	b	a	Apply variable DC voltage to #30(V ₃₀). Measure V ₃₀ and I ₃₀ when #32 output disappears.	0.75	0.93	1.1	V
X'ray Protector Current Sensitivity	I _{IN30}	5	30	OFF	OFF	OFF	b	a		0.05	0.18	1.0	μA
H. Drive Output Excess Voltage Protector Current Sens.	I _{IN32}	5	32	OFF	OFF	OFF	b	b	Apply variable DC voltage to #32 through 1kΩ resistor. Measure V ₃₂ and I ₃₂ just before V ₃₂ goes down.	0.05	0.18	1.0	μA
Excess Voltage Protector Voltage Sens.	V _{IN32}	5	32	OFF	OFF	OFF	b	b		7.1	8.6	9.5	V

TA7698AP-15

1988-10-25

TOSHIBA CORPORATION

9097247 0019740 775

VERTICAL SECTION

CHARACTERISTIC	SYMBOL	TEST CCT	TEST PIN	SW				TEST CONDITION	MIN.	TYP.	MAX.	UNIT
				24	26	28	29					
Vertical Frequency	f _v	5	27	OFF	OFF	OFF	c	47	50	54.1	Hz	
Retrace Time	T _r	5	27	OFF	OFF	OFF	c	450	690	850	μsec	
f _v Pull-in Range	Δf _v PULL	5	27	OFF	OFF	ON	b	9.0	10.0	11.0	Hz	
						OFF						
Term. 27 Max. Output Voltage	V _{O27}	1	27	-	-	-	-	7.7	8.5	9.2	V	
Term. 27 Max. Output Current	I _{O27}	1	27	-	-	-	-	15	27	50	mA	
Max. Common Mode Input Voltage	V _{IH26}	5	26	ON	ON	OFF	a	11.9	-	-	V	
Min. Common Mode Input Voltage	V _{IL26}	5	26	ON	ON	OFF	a	-	2.8	3.7	V	

TA7698AP-16

1988-10-25

TOSHIBA CORPORATION

9097247 0019741 601

VERTICAL SECTION

CHARACTERISTIC	SYMBOL	TEST CCT	TEST PIN	SW				TEST CONDITION	MIN.	TYP.	MAX.	UNIT
				24	26	28	29					
Term. 27 Input Current	I _{I27}	5	27	ON	ON	OFF	a	V _{I27} =6V	0.25	1.0	4.5	μA
Term. 26 Input Current	I _{I26}	5	26	ON	ON	OFF	a	V _{I27} =6V	0.18	1.0	6.3	μA
Max. Drive Output Voltage	V _{OH24}	5	24	OFF	ON	OFF	d		7.3	8.0	8.7	V
Min. Drive Output Voltage	V _{OL24}	5	24	OFF	OFF	OFF	d		-	-	0.3	V
Term. 25 Bias Voltage	V _{I25}	5	25					I _{I25} =-0.2mA	3.7	3.9	4.1	V
f _V Thermal Drift	f _V T	5	27	OFF	OFF	OFF	c	T _a =-20-60°C	-1.0	0	2.0	Hz

■ 9097247 0019742 548 ■

TA7698AP-17

1988-10-25

TOSHIBA CORPORATION

SYNC SEPARATOR

CHARACTERISTIC	SYMBOL	TEST CCT	TEST PIN	SW				TEST CONDITION	MIN.	TYP.	MAX.	UNIT
				34	35	36	37					
Sync. Separator Current Sensitivity	IIN37	5	36 37	OFF	OFF	OFF	c	18	35	113	μA	
Sync. Output H level	VOH36	5	36	OFF	OFF	OFF	c	7.0	8.2	9.4	V	
Sync. Output L level	VOL36	5	36	OFF	OFF	OFF	b	0	0.2	1.0	V	
Gate Pulse H level	VOH38	5	38	OFF	OFF	OFF	b	4.3	5.3	6.1	V	
Gate Pulse L level	VOL38	5	38	OFF	OFF	OFF	b	-	1.6	-	V	
H Pulse Threshold	V38ON	5	38	OFF	OFF	OFF	b	0.7	1	1.5	V	

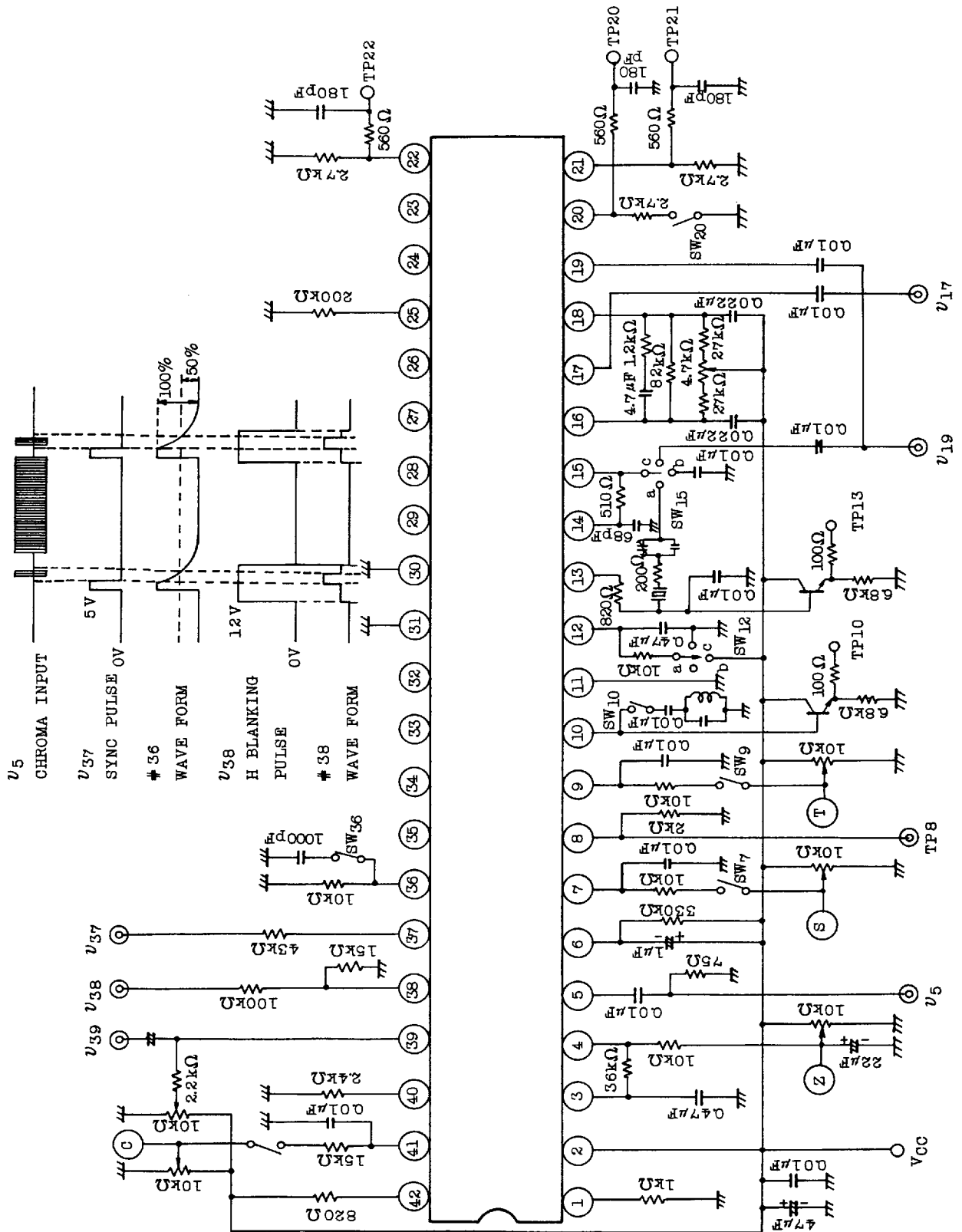
TA7698AP-18

1988-10-25

TOSHIBA CORPORATION

■ 9097247 0019743 484 ■

TEST CIRCUIT 3. Chroma (PAL)

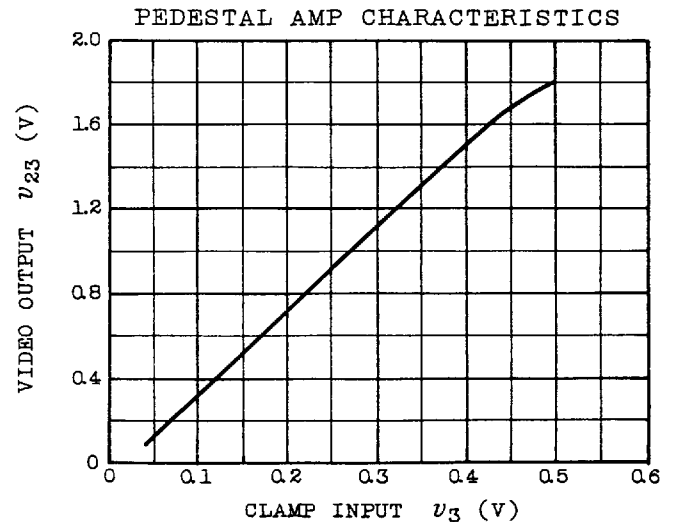
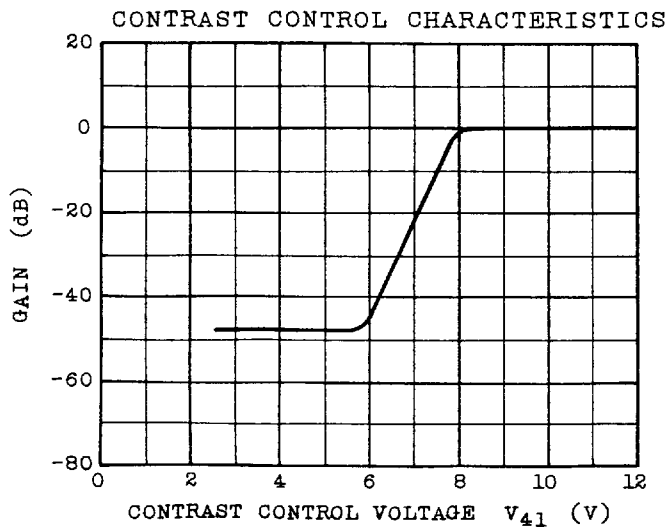
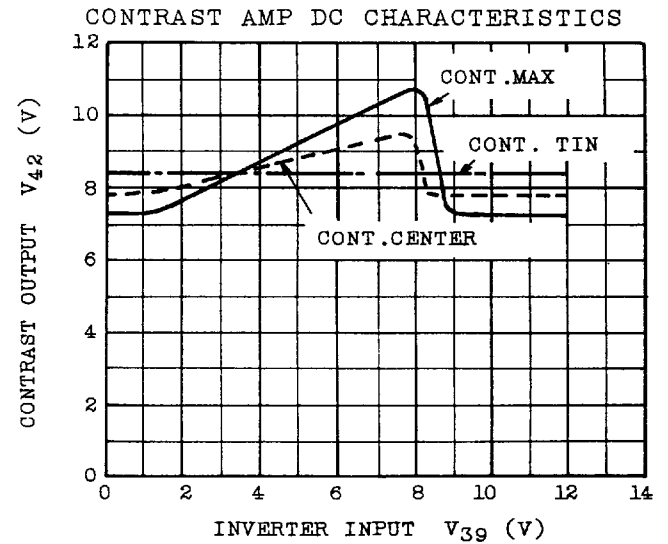
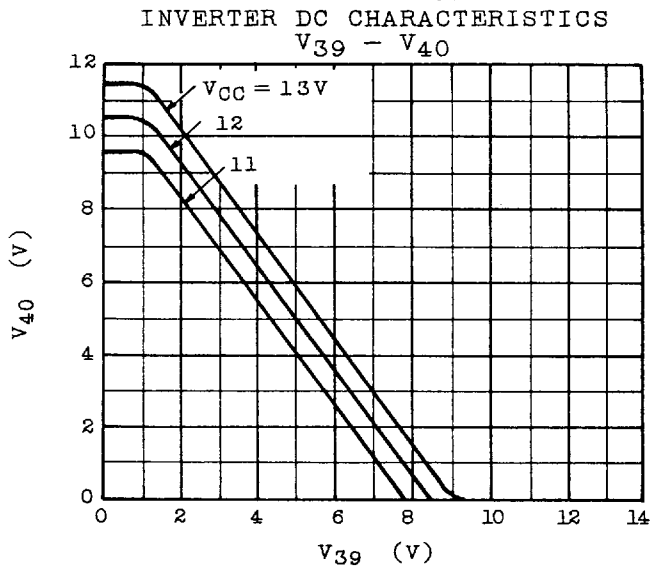
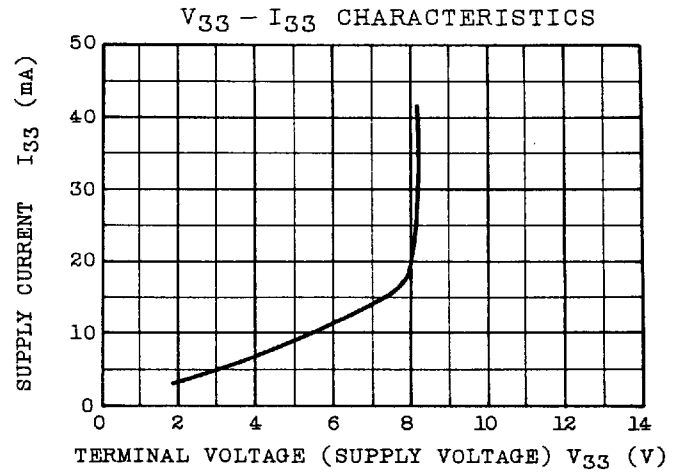
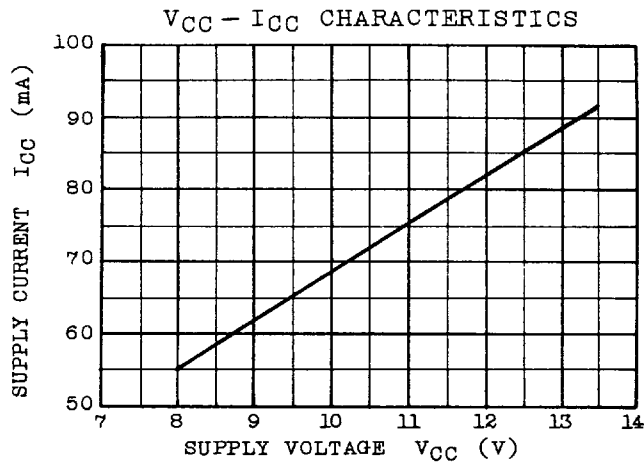


TA7698AP-21

1988-10-25

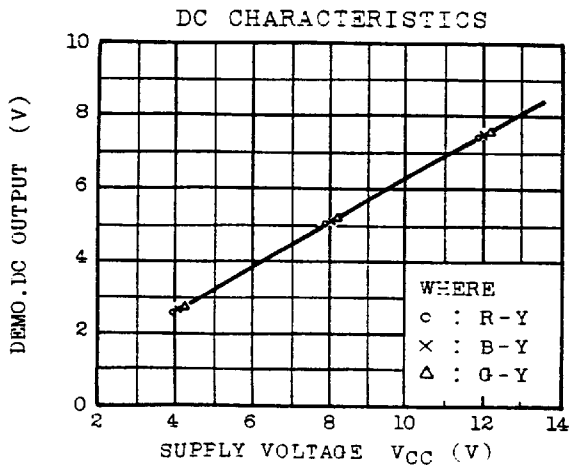
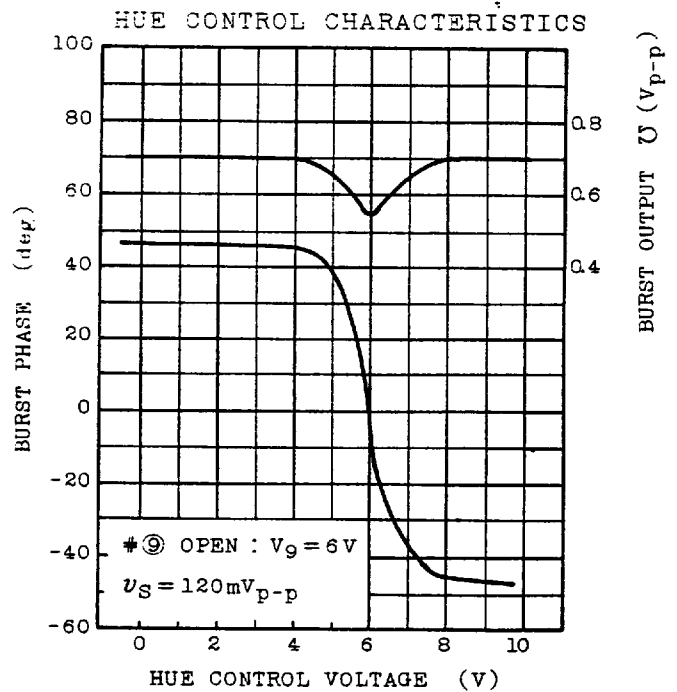
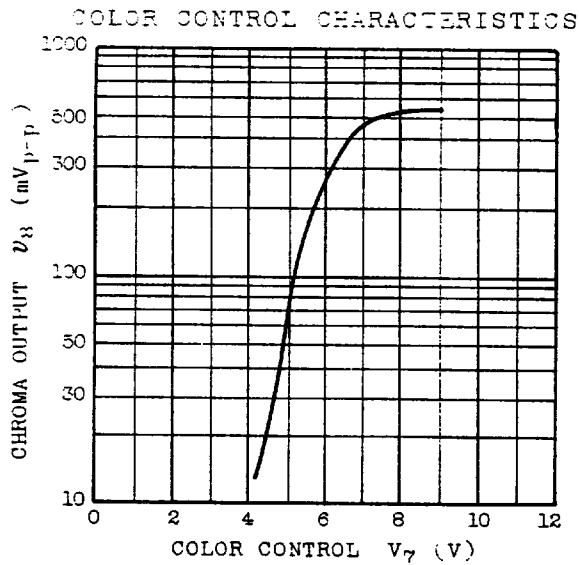
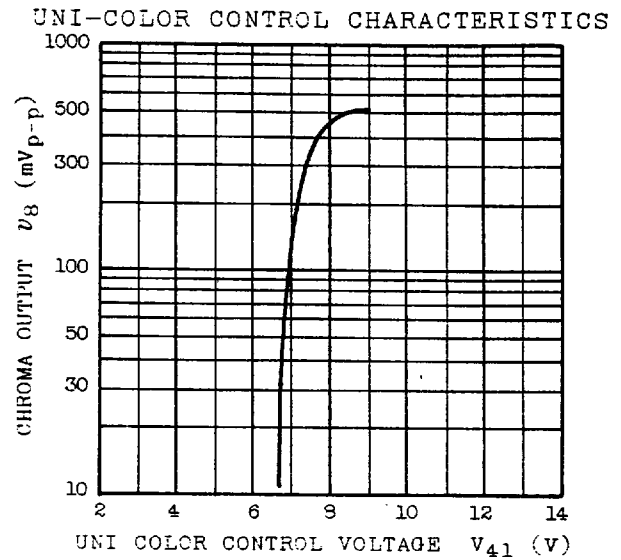
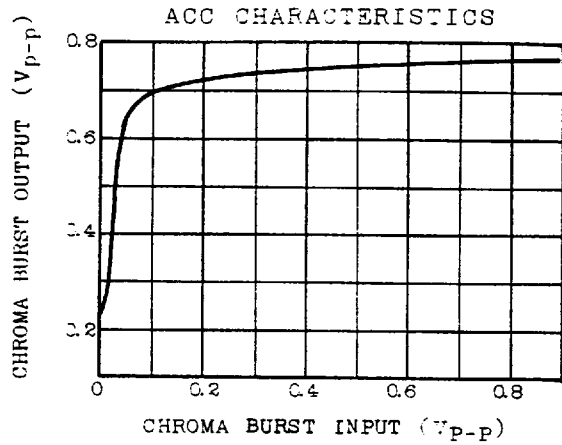
TOSHIBA CORPORATION

9097247 0019746 193



9097247 0019749 9T2

TA7698AP-24
1988-10-25
TOSHIBA CORPORATION



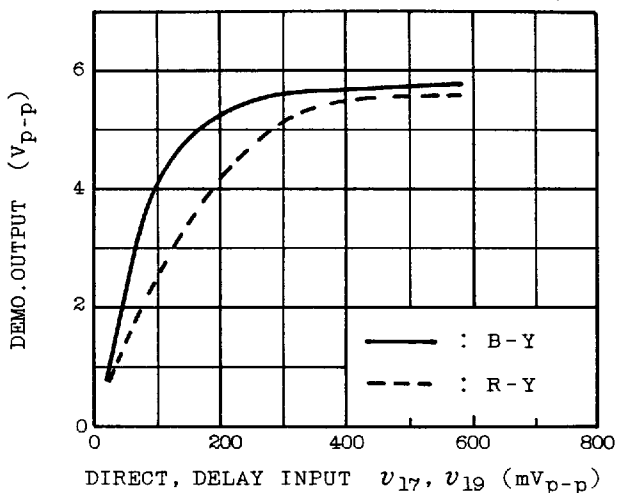
9097247 0019750 614

TA7698AP-25

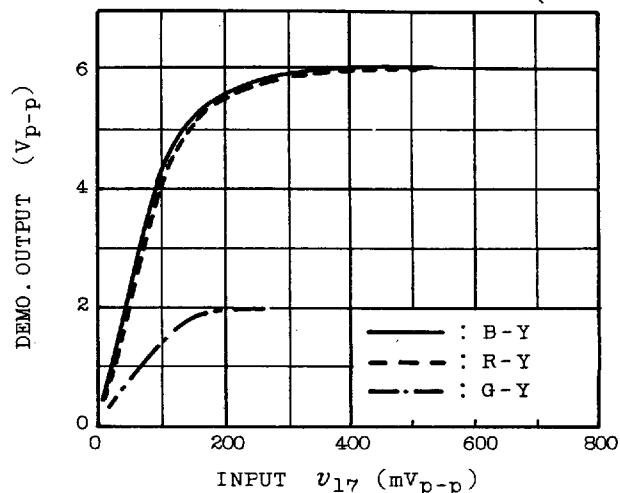
1988-10-25

TOSHIBA CORPORATION

DEMO.OUTPUT CHARACTERISTICS (PAL)



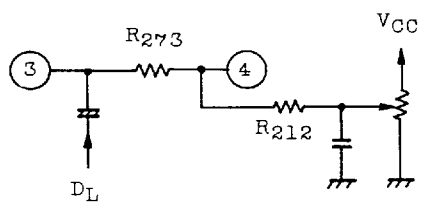
DEMO.OUTPUT CHARACTERISTICS (NTSC)



■ 9097247 0019751 550 ■

TA7698AP-26
1988-10-25
TOSHIBA CORPORATION

TERMINAL DESCRIPTION (1)

TERMINAL		FUNCTION
1	Emitter Peaking	An Emitter-output of the contrast amplifier. Contrast gain and peaking characteristics are determined by a ratio of load impedances connected to #1 and #42 terminal.
2	VCC1	Supply terminal for Video, Chroma, Sync Sep and vertical Deflection. 12V typ is recommended.
3	Pedestal Clamp Input	Delayed video signal is applied. The typical gain of the pedestal amplifier is 12.6dB.
4	Brightness Control*	Control terminal of Brightness (DC level of -Y output). The DC restoration ratio is adjustable by superposing video signal component from the pedestal clamp input. 
5	Chroma Input	Chroma signal from a chroma take off coil is applied. The typical input level is 120mVp-p burst amplitude.
6	ACC Filter	Filter capacitor is connected.
7	Color Control* (Killer Output)	Control terminal of color saturation. Terminal voltage of #7 turns to low level when color Killer operates.
8	Chroma Output	Output terminal of chroma signal which is color controlled, uni-color controlled and burst gated.

TA7698AP-27

1988-10-25

TOSHIBA CORPORATION

■ 9097247 0019752 497 ■

T1A12(2)

Be sure to visit ChipDocs site for more information
<http://www.chipdocs.com>

Downloaded from Elcodis.com electronic components distributor

TERMINAL DISCRIPTION (2)

TERMINAL		FUNCTION
9	Tint (Hue) Control*	Control terminal of Tint (Hue). Burst phase is controled.
10	Burst Cleaning	Burst cleaner (tuned Tank) is connected. Burst signal at this terminal is already phase-shifted by Tint control(NTSC). It is possible to set a phase shift between burst signal and chroma signal by the tank circuit alingment.
11	GND 1	GND terminal for Video and Chroma section. Suitable de-coupling capacitor should be connected between VCC 1 and GND 1.
12	Killer Ident Filter	A capacitor for an ident filter is connected. The terminal voltage is VCC (color), 8V typ (B/W) and GND (Ident).
13 14 15	X'tal Drive -45° Input 0° Input	Terminals for a sub-carrier oscillator. A X'tal is connected between #13 and #15 and a 45° ($\frac{\pi}{4}$) phase shift circuit is between #15 and #14. Reference vectors for color demodulator, APC detector and Killer/Ident detector are composed from sub-carrier signals of #14 and #15.
16 18	APC Filter	APC Filter circuit is connected. Two terminals are provided for reducing internal off-set.
17	Direct Dig. Input	Chroma signal from #8 (chroma output) is attenuated and applied to this terminal. The input level is 0.25Vp-p typ. (Burst level). When PAL application, input levels of #17 and #19 should be the same. Internal PAL matrix circuit reduces cross-talk between the direct signal and delayed signal. When NTSC application, internal gain changes to keep the same demodulator outputs as PAL-application.

TA7698AP-28

1988-10-25

TOSHIBA CORPORATION

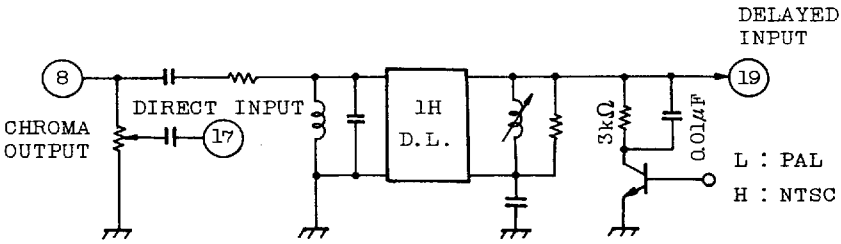
■ 9097247 0019753 323 ■

T1A12(2)

Be sure to visit ChipDocs site for more information
<http://www.chipdocs.com>

Downloaded from Elcodis.com electronic components distributor

TERMINAL DISCRIPTION (3)

TERMINAL		FUNCTION																												
19	Delayed Signal Input PAL/NTSC System SW	<p>Chroma signal from #8 (Chroma Output) is applied to this terminal through an 1H delay line. The input level is 0.25Vp-p typ. (Burst level).</p> <p>PAL/NTSC System SW Function</p> <p>When #19 terminal voltage is below 2V, internal switch turns to NTSC mode.</p> <p>To reduce external parts number, an application circuit shown below is recommendable.</p>  <p>A transistor switch shunt the delayed chroma signal and shift #19 DC voltage below 2V.</p>																												
		<table border="1"> <thead> <tr> <th rowspan="2"></th> <th colspan="2">RELATIVE PHASE</th> <th colspan="2">RELATIVE AMPLITUDE</th> <th rowspan="2">MATRIX</th> <th rowspan="2">TINT CONTROL</th> <th rowspan="2">FLIP·FLOP</th> </tr> <tr> <th>R-Y</th> <th>G-Y</th> <th>B-Y/R-Y</th> <th>G-Y/B-Y</th> </tr> </thead> <tbody> <tr> <td>PAL</td> <td>±90°</td> <td>230°</td> <td>1.78</td> <td>0.58</td> <td>PAL</td> <td>OFF</td> <td>ON</td> </tr> <tr> <td>NTSC</td> <td>105°</td> <td>235°</td> <td>0.95</td> <td>0.31</td> <td>NTSC</td> <td>ON</td> <td>STOP</td> </tr> </tbody> </table>		RELATIVE PHASE		RELATIVE AMPLITUDE		MATRIX	TINT CONTROL	FLIP·FLOP	R-Y	G-Y	B-Y/R-Y	G-Y/B-Y	PAL	±90°	230°	1.78	0.58	PAL	OFF	ON	NTSC	105°	235°	0.95	0.31	NTSC	ON	STOP
	RELATIVE PHASE			RELATIVE AMPLITUDE		MATRIX	TINT CONTROL				FLIP·FLOP																			
	R-Y	G-Y	B-Y/R-Y	G-Y/B-Y																										
PAL	±90°	230°	1.78	0.58	PAL	OFF	ON																							
NTSC	105°	235°	0.95	0.31	NTSC	ON	STOP																							
20	G-Y Output	<p>G-Y demodulator output terminal/Uni-color switch.</p> <p>When a load resistor is connected between #20 and GND, G-Y output and Uni-color function are enabled.</p> <p>When #20 is open, Uni-color function is disabled and #41 controls only contrast for PAL/SECAM or PAL/NTSC/SECAM applications.</p>																												
21	R-Y Output	R-Y demodulator output terminal.																												
22	B-Y Output	B-Y demodulator output terminal.																												

TA7698AP-29

1988-10-25

TOSHIBA CORPORATION

9097247 0019754 26T

TERMINAL DISCRIPTION (4)

TERMINAL		FUNCTION
23	-Y Output	Output terminal of -Y (Luminance) signal which is contrast/brightness controled.
24	Vertical Output	Vertical driver output terminal (Emitter follower). It is capable to drive SRPP output circuit directly.
25	Vertical Height	Constant current discharge rate of ramp capacitor connected #27 terminal is determined by a resistor value which connected between this terminal and GND. (Vertical amplitude is in the propotion of the discharge rate).
26	NFB	NFB terminal for DC/AC. NFB wave form is compared with ramp wave form of #27 terminal.
27	Ramp Capacitor	A ramp capacitor is connected. It should be stable and having low $\tan \delta$ value. (2.2 μ F tantalum capacitor is recommended.) The ramp capacitor is charged to a reference voltage determined internally during retrace period, and discharged constantly to get required linearity during trace period.
28	Vertical Sync Input (V. trig.)	Composite sync signal from #36 (Sync Output) is integrated and applied to this terminal.
29	Vertical Oscillator Timing Constant	CR timing constant for vertical oscillator is connected. Vertical retrace time is determined the timing resistor value and internal discharge resistor value.
30	X-ray Protector	SCR type X-ray protector. The threshold is 0.9V typ. When X-ray protector operate, horizontal drive output #32 turns to low level. It also operates when #32 voltage exceeds 9V (typ.).
31	GND 2	GND terminal for Vertical/Horizontal, AFC and Synce Separator. De-coupling capacitors from VCC1 and VCC2 should be connected to this GND.

TA7698AP-30

1988-10-25

TOSHIBA CORPORATION

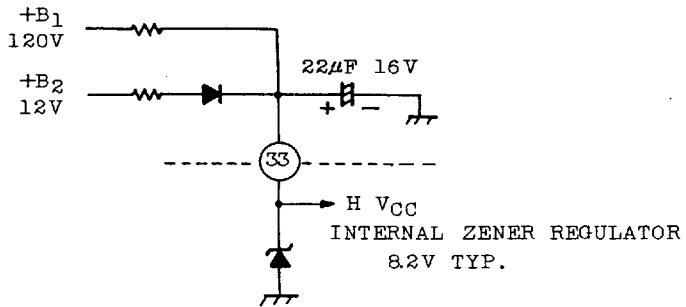
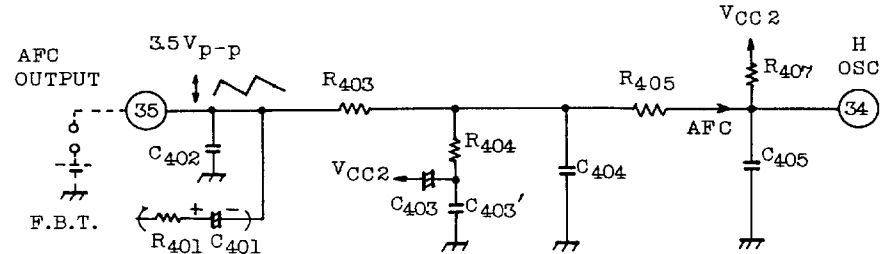
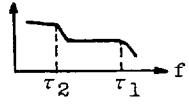
■ 9097247 0019755 1T6 ■

T1A12(2)

Be sure to visit ChipDocs site for more information
<http://www.chipdocs.com>

Downloaded from Elcodis.com electronic components distributor

TERMINAL DISCRIPTION (5)

TERMINAL		FUNCTION
32	H. Drive Output	Open collector output for Horizontal driver. External load resistor is required.
33	VCC2 (H. VCC)	Supply terminal for horizontal deflection circuit starting up. 
34	Horizontal Oscillator Timing Constant	2f _H oscillator timing CR is connected. Thermal co-efficient of this CR should be selected to compensate f _H thermal drift which is specified.
35	AFC Output	I/O terminal of horizontal AFC circuit. The refference voltage of AFC is 4.5V typ..  <p>C402 : Flyback Pulse integral capacitor C405, R407 : Horizontal Osc. Timing constant R403, C404 : AFC time constant τ_1 R404, C403, C403' : AFC τ_2 R405 : Determines AFC control sensitivity.</p> 

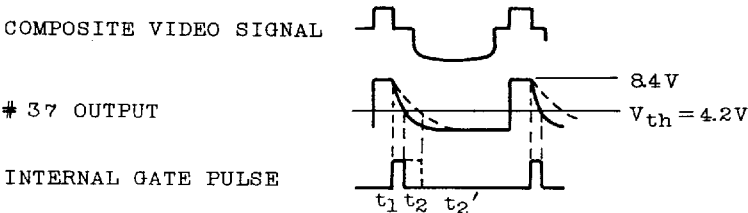
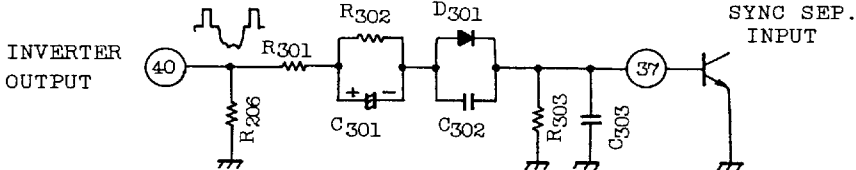
TA7698AP-31

1988-10-25

TOSHIBA CORPORATION

9097247 0019756 032

TERMINAL DISCRIPTION (6)

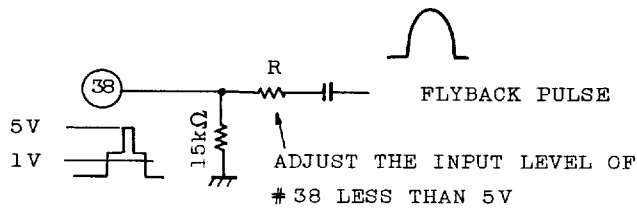
TERMINAL	FUNCTION
36	<p>Sync. Sep. Output</p>
	<p>Output terminal of composite sync signal/Timing constant for gate pulse generation. Falling edge of the gate pulse (t_2) is adjusted by external capacitor and resistor. Rising edge (t_1) is internally determined. It adjustment of t_1 is required, a capacitor which connected between #37 (Sync. Sep. Input) and GND will be changed to shift sync signal timing.</p>  <p>Generated gate pulse is masked by flyback pulse from #38, and applied to the pedestal clamp circuit and the burst gate circuit.</p>
37	<p>Sync Sep. Input</p>
	<p>Input terminal of the base-time constant type sync separator. Composite video signal from #40 (Inverter Output) is applied through sync sep. time constant circuit. Slice level of horizontal sync and vertical sync can be set independently.</p>  <p>R206 : #40 load resistor R301, C302, R303 : Horizontal sync slice level R301, C301, R302 : Vertical sync slice level D301 : Timing constant separation C303 : Noise Filter/Gate pulse rising edge timing.</p> <p>To deepen the slice level Horizontal : R301 increase or R303 decrease Vertical : R301 increase or R302 decrease</p>

TA7698AP-32

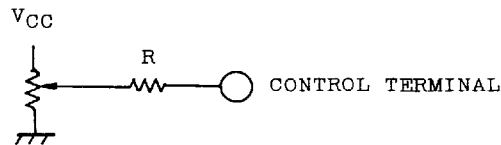
1988-10-25

TOSHIBA CORPORATION

TERMINAL DISCRIPTION (7)

TERMINAL		FUNCTION
38	Flyback Pulse Input	<p>Input terminal of flyback pulse for flip-flop driving, horizontal blanking and gate pulse masking.</p> <p>Pulse height of flyback pulse should be less than 5V.</p> <p>#38 terminal voltage is clamped to 5V during gate pulse period.</p> 
39	Inverter Amp. Input	<p>Composite video signal from PIF is applied directly.</p> <p>Input dynamic range is 2.0V to 6.5V. (Sync negative composite video is required.)</p>
40	Inverter Amp. Output	<p>Output terminal of the inverter amplifier.</p> <p>The output signal is applied to the sync. separator and the chroma band pass circuit.</p>
41	Contrast Control*	<p>Contrast/Contrast-Uni-color control See #20</p>
42	Contrast Amp. Output	<p>Collector output of contrast amplifier.</p> <p>See #1. #42 terminal voltage (operating) should be above 6V.</p>

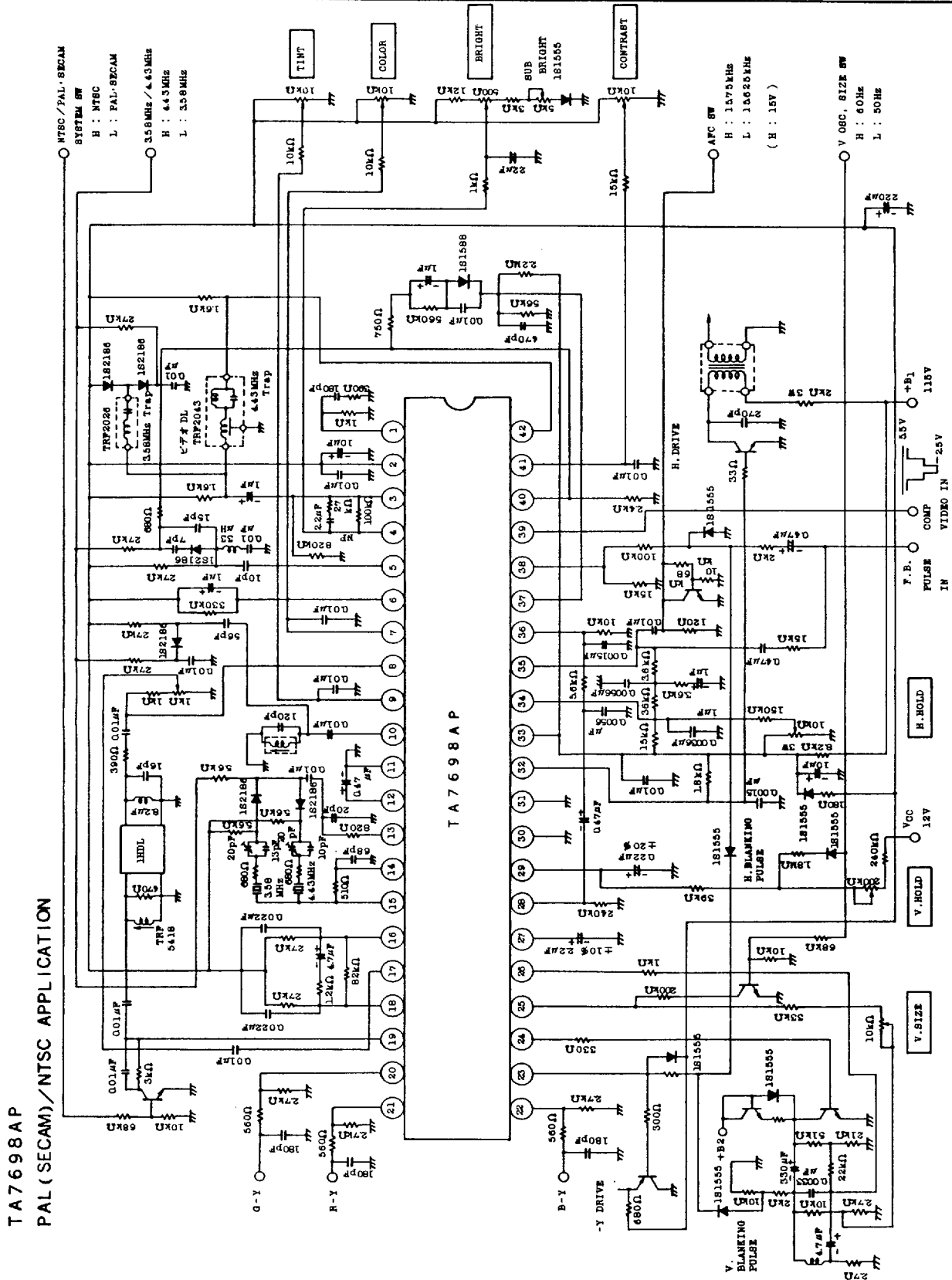
* Control sensitivity of each control terminal is adjustable by a series resistor R.



TA7698AP-33

1988-10-25

TOSHIBA CORPORATION

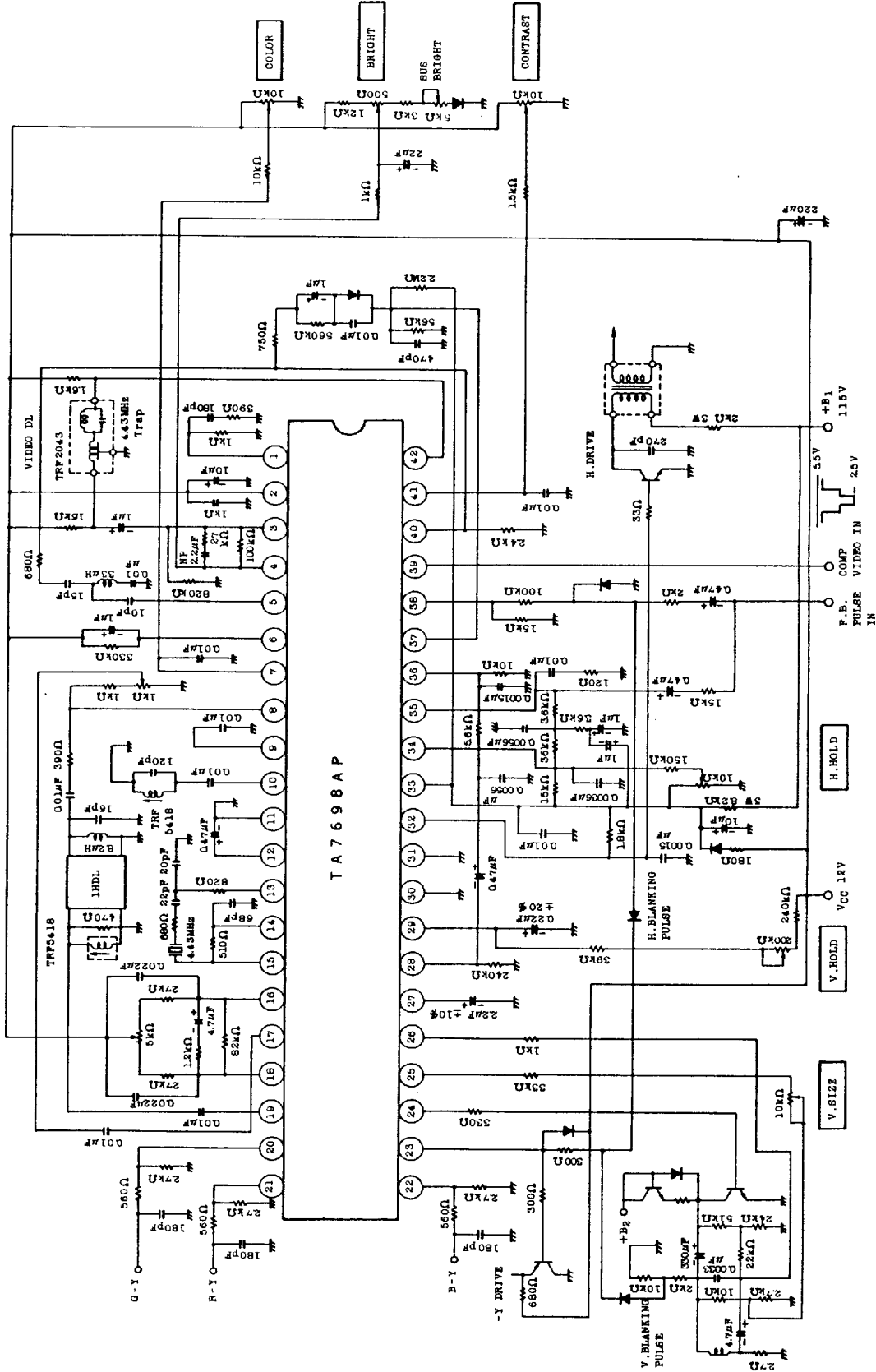


TA7698AP
PAL (SECAM)/NTSC APPLICATION

TA7698AP-34
1988-10-25
TOSHIBA CORPORATION

T1A12(2) ■ 9097247 0019759 841 ■

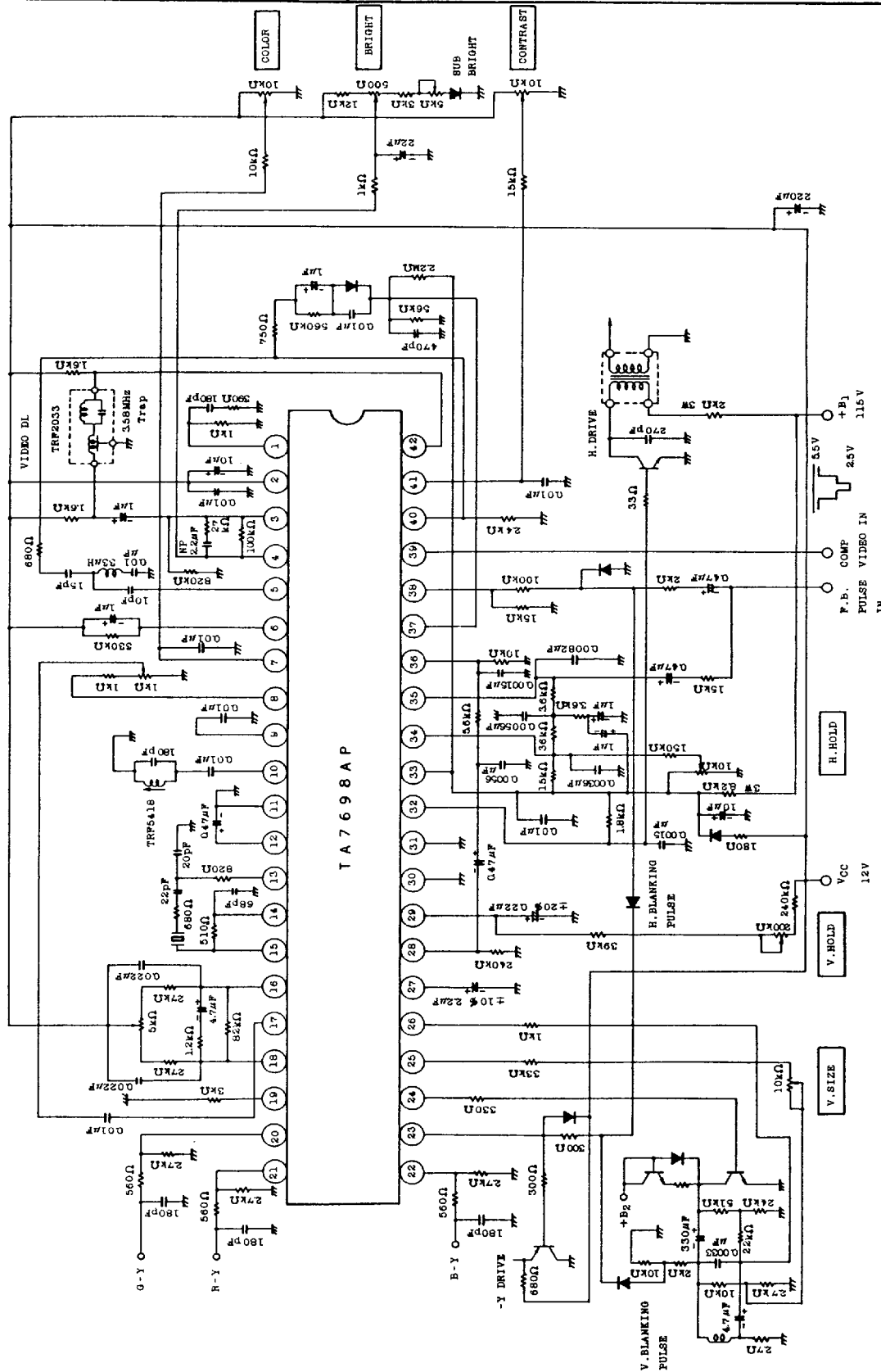
TA7698AP
PAL APPLICATION



9097247 0019760 563

TA7698AP-35
1988-10-25
TOSHIBA CORPORATION

TA7698AP
NTSC APPLICATION



TA7698AP-36*

1988-10-25

TOSHIBA CORPORATION

9097247 0019761 4TT