

## Voltage-to-Frequency / Frequency-to-Voltage Converters

### Features:

#### VOLTAGE-TO-FREQUENCY

- Choice of Linearity:
  - TC9401: 0.01%
  - TC9400: 0.05%
  - TC9402: 0.25%
- DC to 100 kHz (F/V) or 1 Hz to 100 kHz (V/F)
- Low Power Dissipation: 27 mW (Typ.)
- Single/Dual Supply Operation:
  - +8V to +15V or  $\pm 4V$  to  $\pm 7.5V$
- Gain Temperature Stability:  $\pm 25$  ppm/ $^{\circ}C$  (Typ.)
- Programmable Scale Factor

#### FREQUENCY-TO-VOLTAGE

- Operation: DC to 100 kHz
- Choice of Linearity:
  - TC9401: 0.02%
  - TC9400: 0.05%
  - TC9402: 0.25%
- Programmable Scale Factor

### Applications:

- Microprocessor Data Acquisition
- 13-bit Analog-to-Digital Converters (ADC)
- Analog Data Transmission and Recording
- Phase Locked Loops
- Frequency Meters/Tachometer
- Motor Control
- FM Demodulation

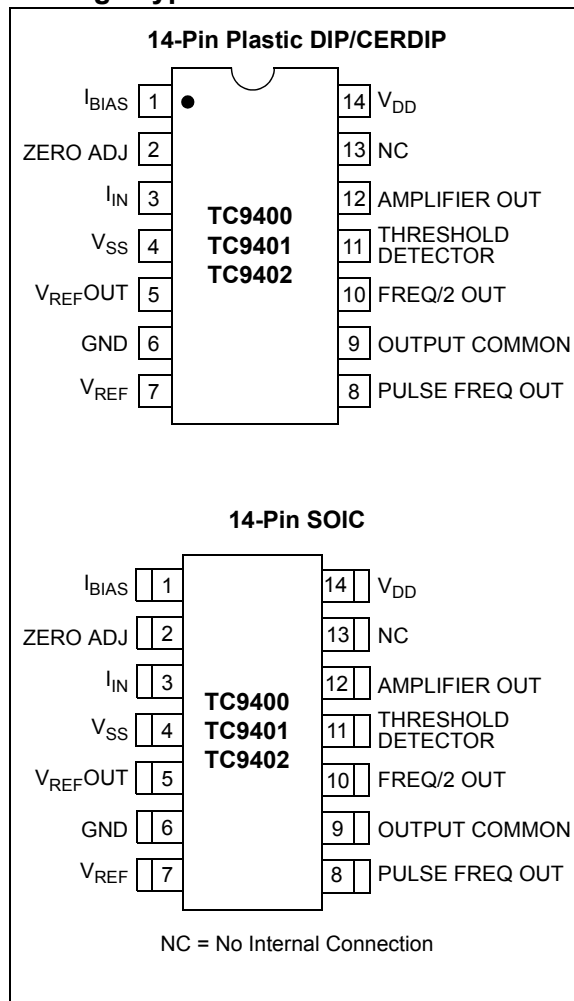
### General Description:

The TC9400/9401/9402 are low-cost Voltage-to-Frequency (V/F) converters, utilizing low-power CMOS technology. The converters accept a variable analog input signal and generate an output pulse train, whose frequency is linearly proportional to the input voltage.

The devices can also be used as highly accurate Frequency-to-Voltage (F/V) converters, accepting virtually any input frequency waveform and providing a linearly proportional voltage output.

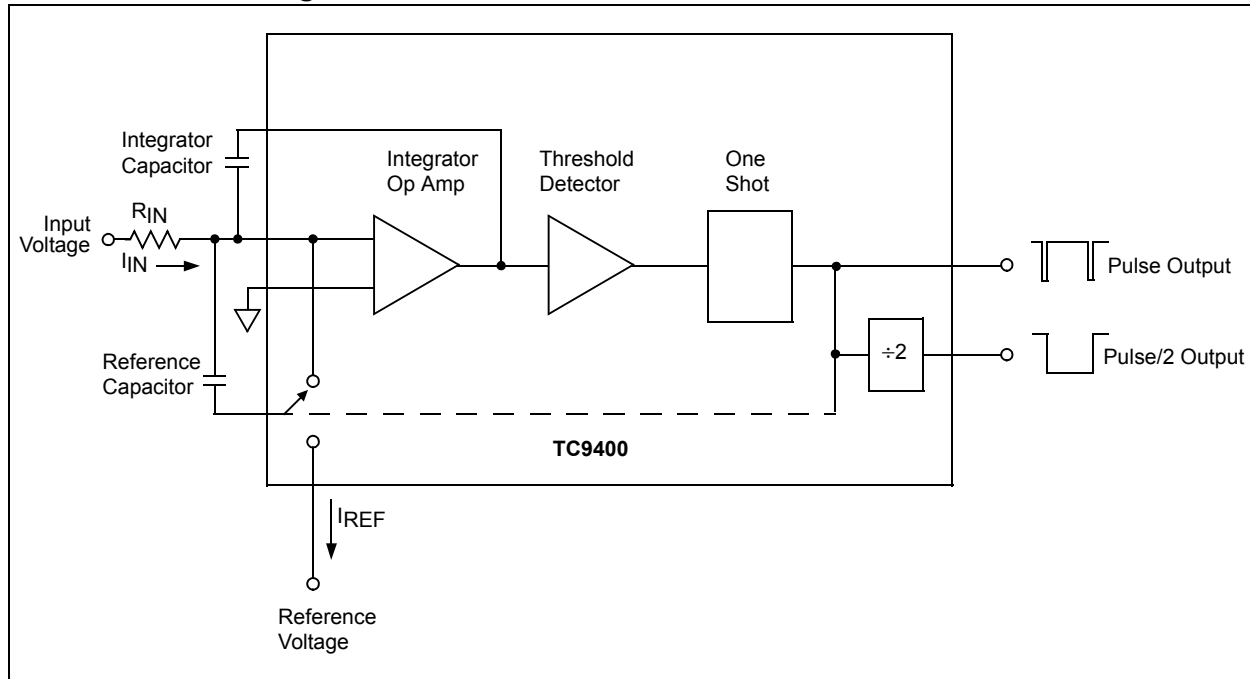
A complete V/F or F/V system only requires the addition of two capacitors, three resistors, and reference voltage.

### Package Type



# TC9400/9401/9402

## Functional Block Diagram



## 1.0 ELECTRICAL CHARACTERISTICS

### Absolute Maximum Ratings †

$V_{DD} - V_{SS}$ .....	+18V
$I_{IN}$ .....	10 mA
$V_{OUTMAX} - V_{OUT}$ Common.....	23V
$V_{REF} - V_{SS}$ .....	-1.5V
Storage Temperature Range .....	-65°C to +150°C
Operating Temperature Range:	
C Device .....	0°C to +70°C
E Device.....	-40°C to +85°C
Package Dissipation ( $T_A \leq 70^\circ\text{C}$ ):	
8-Pin CerDIP .....	800 mW
8-Pin Plastic DIP .....	730 mW
8-Pin SOIC.....	470 mW

† Stresses above those listed under “Absolute Maximum Ratings” may cause permanent damage to the device. These are stress ratings only and functional operation of the device at these or any other conditions above those indicated in the operation sections of the specifications is not implied. Exposure to Absolute Maximum Rating conditions for extended periods may affect device reliability.

### TC940X ELECTRICAL SPECIFICATIONS

**Electrical Characteristics:** unless otherwise specified,  $V_{DD} = +5V$ ,  $V_{SS} = -5V$ ,  $V_{GND} = 0V$ ,  $V_{REF} = -5V$ ,  $R_{BIAS} = 100\text{ k}\Omega$ , Full Scale = 10 kHz.  $T_A = +25^\circ\text{C}$ , unless temperature range is specified (-40°C to +85°C for E device, 0°C to +70°C for C device).

Parameter	Min	Typ	Max	Min	Typ	Max	Min	Typ	Max	Units	Test Conditions
<b>Voltage-to-Frequency</b>											
<b>Accuracy</b>	<b>TC9400</b>			<b>TC9401</b>			<b>TC9402</b>				
Linearity 10 kHz	—	0.01	0.05	—	0.004	0.01	—	0.05	0.25	% Full Scale	Output Deviation from Straight Line Between Normalized Zero and Full Scale Input
Linearity 100 kHz	—	0.1	0.25	—	0.04	0.08	—	0.25	0.5	% Full Scale	Output Deviation from Straight Line Between Normalized Zero Reading and Full Scale Input
Gain Temperature Drift ( <b>Note 1</b> )	—	±25	±40	—	±25	±40	—	±50	±100	ppm/°C Full Scale	Variation in Gain A due to Temperature Change
Gain Variance	—	±10	—	—	±10	—	—	±10	—	% of Nominal	Variation from Ideal Accuracy
Zero Offset ( <b>Note 2</b> )	—	±10	±50	—	±10	±50	—	±20	±100	mV	Correction at Zero Adjust for Zero Output when Input is Zero
Zero Temperature Drift ( <b>Note 1</b> )	—	±25	±50	—	±25	±50	—	±50	±100	µV/°C	Variation in Zero Offset Due to Temperature Change

- Note**
- 1: Full temperature range; not tested.
  - 2:  $I_{IN} = 0$ .
  - 3: Full temperature range,  $I_{OUT} = 10\text{ mA}$ .
  - 4:  $I_{OUT} = 10\text{ }\mu\text{A}$ .
  - 5: Threshold Detect = 5V, Amp Out = 0V, full temperature range.
  - 6: 10 Hz to 100 kHz; not tested.
  - 7: 5 µs minimum positive pulse width and 0.5 µs minimum negative pulse width.
  - 8:  $t_R = t_F = 20\text{ ns}$ .
  - 9:  $R_L \geq 2\text{ k}\Omega$ , tested @ 10 kΩ.
  - 10: Full temperature range,  $V_{IN} = -0.1V$ .

# TC9400/9401/9402

## TC940X ELECTRICAL SPECIFICATIONS (CONTINUED)

**Electrical Characteristics:** unless otherwise specified,  $V_{DD} = +5V$ ,  $V_{SS} = -5V$ ,  $V_{GND} = 0V$ ,  $V_{REF} = -5V$ ,  $R_{BIAS} = 100\text{ k}\Omega$ , Full Scale = 10 kHz.  $T_A = +25^\circ\text{C}$ , unless temperature range is specified ( $-40^\circ\text{C}$  to  $+85^\circ\text{C}$  for E device,  $0^\circ\text{C}$  to  $+70^\circ\text{C}$  for C device).

Parameter	Min	Typ	Max	Min	Typ	Max	Min	Typ	Max	Units	Test Conditions
<b>Analog Input</b>											
$I_{IN}$ Full Scale	—	10	—	—	10	—	—	10	—	$\mu\text{A}$	Full Scale Analog Input Current to achieve Specified Accuracy
$I_{IN}$ Over Range	—	—	50	—	—	50	—	—	50	$\mu\text{A}$	Over Range Current
Response Time	—	2	—	—	2	—	—	2	—	Cycle	Settling Time to 0.1% Full Scale
<b>Digital Section</b>	<b>TC9400</b>			<b>TC9401</b>			<b>TC9402</b>				
$V_{SAT}$ @ $I_{OL} = 10\text{mA}$	—	0.2	0.4	—	0.2	0.4	—	0.2	0.4	V	Logic "0" Output Voltage ( <b>Note 3</b> )
$V_{OUTMAX} - V_{OUT}$ Common ( <b>Note 4</b> )	—	—	18	—	—	18	—	—	18	V	Voltage Range Between Output and Common
Pulse Frequency Output Width	—	3	—	—	3	—	—	3	—	$\mu\text{s}$	
<b>Frequency-to-Voltage</b>											
<b>Supply Current</b>											
$I_{DD}$ Quiescent ( <b>Note 5</b> )	—	1.5	6	—	1.5	6	—	3	10	mA	Current Required from Positive Supply during Operation
$I_{SS}$ Quiescent ( <b>Note 5</b> )	—	-1.5	-6	—	-1.5	-6	—	-3	-10	mA	Current Required from Negative Supply during Operation
$V_{DD}$ Supply	4	—	7.5	4	—	7.5	4	—	7.5	V	Operating Range of Positive Supply
$V_{SS}$ Supply	-4	—	-7.5	-4	—	-7.5	-4	—	-7.5	V	Operating Range of Negative Supply
<b>Reference Voltage</b>											
$V_{REF} - V_{SS}$	-2.5	—	—	-2.5	—	—	-2.5	—	—	V	Range of Voltage Reference Input
<b>Accuracy</b>											
Non-Linearity ( <b>Note 10</b> )	—	0.02	0.05	—	0.01	0.02	—	0.05	0.25	% Full Scale	Deviation from ideal Transfer Function as a Percentage Full Scale Voltage
Input Frequency Range ( <b>Notes 7 and 8</b> )	10	—	100k	10	—	100k	10	—	100k	Hz	Frequency Range for Specified Non-Linearity

**Note 1:** Full temperature range; not tested.

**2:**  $I_{IN} = 0$ .

**3:** Full temperature range,  $I_{OUT} = 10\text{ mA}$ .

**4:**  $I_{OUT} = 10\text{ }\mu\text{A}$ .

**5:** Threshold Detect = 5V, Amp Out = 0V, full temperature range.

**6:** 10 Hz to 100 kHz; not tested.

**7:** 5  $\mu\text{s}$  minimum positive pulse width and 0.5  $\mu\text{s}$  minimum negative pulse width.

**8:**  $t_R = t_F = 20\text{ ns}$ .

**9:**  $R_L \geq 2\text{ k}\Omega$ , tested @ 10 k $\Omega$ .

**10:** Full temperature range,  $V_{IN} = -0.1V$ .

## TC940X ELECTRICAL SPECIFICATIONS (CONTINUED)

**Electrical Characteristics:** unless otherwise specified,  $V_{DD} = +5V$ ,  $V_{SS} = -5V$ ,  $V_{GND} = 0V$ ,  $V_{REF} = -5V$ ,  $R_{BIAS} = 100\text{ k}\Omega$ , Full Scale = 10 kHz.  $T_A = +25^\circ\text{C}$ , unless temperature range is specified ( $-40^\circ\text{C}$  to  $+85^\circ\text{C}$  for E device,  $0^\circ\text{C}$  to  $+70^\circ\text{C}$  for C device).

Parameter	Min	Typ	Max	Min	Typ	Max	Min	Typ	Max	Units	Test Conditions
<b>Frequency Input</b>											
Positive Excursion	0.4	—	$V_{DD}$	0.4	—	$V_{DD}$	0.4	—	$V_{DD}$	V	Voltage Required to Turn Threshold Detector On
Negative Excursion	-0.4	—	-2	-0.4	—	-2	-0.4	—	-2	V	Voltage Required to Turn Threshold Detector Off
Minimum Positive Pulse Width (Note 8)	—	5	—	—	5	—	—	5	—	$\mu\text{s}$	Time between Threshold Crossings
Minimum Negative Pulse Width (Note 8)	—	0.5	—	—	0.5	—	—	0.5	—	$\mu\text{s}$	Time Between Threshold Crossings
Input Impedance	—	10	—	—	10	—	—	—	10	$\text{M}\Omega$	
<b>Analog Outputs</b>											
	<b>TC9400</b>			<b>TC9401</b>			<b>TC9402</b>				
Output Voltage (Note 9)	—	$V_{DD} - 1$	—	—	$V_{DD} - 1$	—	—	$V_{DD} - 1$	—	V	Voltage Range of Op Amp Output for Specified Non-Linearity
Output Loading	2	—	—	2	—	—	2	—	—	$\text{k}\Omega$	Resistive Loading at Output of Op Amp
<b>Supply Current</b>											
	<b>TC9400</b>			<b>TC9401</b>			<b>TC9402</b>				
$I_{DD}$ Quiescent (Note 10)	—	1.5	6	—	1.5	6	—	3	10	mA	Current Required from Positive Supply During Operation
$I_{SS}$ Quiescent (Note 10)	—	-1.5	-6	—	-1.5	-6	—	-3	-10	mA	Current Required from Negative Supply During Operation
$V_{DD}$ Supply	4	—	7.5	4	—	7.5	4	—	7.5	V	Operating Range of Positive Supply
$V_{SS}$ Supply	-4	—	-7.5	-4	—	-7.5	-4	—	-7.5	V	Operating Range of Negative Supply
<b>Reference Voltage</b>											
$V_{REF} - V_{SS}$	-2.5	—	—	-2.5	—	—	-2.5	—	—	V	Range of Voltage Reference Input

- Note** 1: Full temperature range; not tested.  
 2:  $I_{IN} = 0$ .  
 3: Full temperature range,  $I_{OUT} = 10\text{ mA}$ .  
 4:  $I_{OUT} = 10\text{ }\mu\text{A}$ .  
 5: Threshold Detect = 5V, Amp Out = 0V, full temperature range.  
 6: 10 Hz to 100 kHz; not tested.  
 7: 5  $\mu\text{s}$  minimum positive pulse width and 0.5  $\mu\text{s}$  minimum negative pulse width.  
 8:  $t_R = t_F = 20\text{ ns}$ .  
 9:  $R_L \geq 2\text{ k}\Omega$ , tested @ 10  $\text{k}\Omega$ .  
 10: Full temperature range,  $V_{IN} = -0.1V$ .

# TC9400/9401/9402

## 2.0 PIN DESCRIPTIONS

The descriptions of the pins are listed in [Table 2-1](#).

**TABLE 2-1: PIN FUNCTION TABLE**

Pin No.	Symbol	Description
1	$I_{BIAS}$	This pin sets bias current in the TC9400. Connect to $V_{SS}$ through a 100 k $\Omega$ resistor.
2	ZERO ADJ	Low frequency adjustment input.
3	$I_{IN}$	Input current connection for the V/F converter.
4	$V_{SS}$	Negative power supply voltage connection, typically -5V.
5	$V_{REF}$ OUT	Reference capacitor connection.
6	GND	Analog ground.
7	$V_{REF}$	Voltage reference input, typically -5V.
8	PULSE FREQ OUT	Frequency output. This open drain output will pulse LOW each time the Freq. Threshold Detector limit is reached. The pulse rate is proportional to input voltage.
9	OUTPUT COMMON	Source connection for the open drain output FETs.
10	FREQ/2 OUT	This open drain output is a square wave at one-half the frequency of the pulse output (Pin 8). Output transitions of this pin occur on the rising edge of Pin 8.
11	THRESHOLD DETECTOR	Input to the Threshold Detector. This pin is the frequency input during F/V operation.
12	AMPLIFIER OUT	Output of the integrator amplifier.
13	NC	No internal connection.
14	$V_{DD}$	Positive power supply connection, typically +5V.

### 2.1 Bias Current ( $I_{BIAS}$ )

An external resistor, connected to  $V_{SS}$ , sets the bias point for the TC9400. Specifications for the TC9400 are based on  $R_{BIAS} = 100\text{ k}\Omega \pm 10\%$ , unless otherwise noted.

Increasing the maximum frequency of the TC9400 beyond 100 kHz is limited by the pulse width of the pulse output (typically 3  $\mu$ s). Reducing  $R_{BIAS}$  will decrease the pulse width and increase the maximum operating frequency, but linearity errors will also increase.  $R_{BIAS}$  can be reduced to 20 k $\Omega$ , which will typically produce a maximum full scale frequency of 500 kHz.

### 2.2 Zero Adjust

This pin is the non-inverting input of the operational amplifier. The low frequency set point is determined by adjusting the voltage at this pin.

### 2.3 Input Current ( $I_{IN}$ )

The inverting input of the operational amplifier and the summing junction when connected in the V/F mode. An input current of 10  $\mu$ A is specified, but an over range current up to 50  $\mu$ A can be used without detrimental effect to the circuit operation.  $I_{IN}$  connects the summing junction of an operational amplifier. Voltage sources cannot be attached directly, but must be buffered by external resistors.

### 2.4 Voltage Capacitor ( $V_{REF}$ Out)

The charging current for  $C_{REF}$  is supplied through this pin. When the op amp output reaches the threshold level, this pin is internally connected to the reference voltage and a charge, equal to  $V_{REF} \times C_{REF}$ , is removed from the integrator capacitor. After about 3  $\mu$ sec, this pin is internally connected to the summing junction of the op amp to discharge  $C_{REF}$ . Break-before-make switching ensures that the reference voltage is not directly applied to the summing junction.

### 2.5 Voltage Reference ( $V_{REF}$ )

A reference voltage from either a precision source, or the  $V_{SS}$  supply is applied to this pin. Accuracy of the TC9400 is dependent on the voltage regulation and temperature characteristics of the reference circuitry.

Since the TC9400 is a charge balancing V/F converter, the reference current will be equal to the input current. For this reason, the DC impedance of the reference voltage source must be kept low enough to prevent linearity errors. For linearity of 0.01%, a reference impedance of 200 $\Omega$  or less is recommended. A 0.1  $\mu$ F bypass capacitor should be connected from  $V_{REF}$  to ground.

## 2.6 Pulse Freq Out

This output is an open-drain N-channel FET, which provides a pulse waveform whose frequency is proportional to the input voltage. This output requires a pull-up resistor and interfaces directly with MOS, CMOS, and TTL logic (see [Figure 2-1](#)).

## 2.7 Output Common

The sources of both the FREQ/2 OUT and the PULSE FREQ OUT are connected to this pin. An output level swing from the drain voltage to ground, or to the  $V_{SS}$  supply, may be obtained by connecting this pin to the appropriate point.

## 2.8 Freq/2 Out

This output is an open-drain N-channel FET, which provides a square-wave one-half the frequency of the pulse frequency output. The FREQ/2 OUT output will change state on the rising edge of PULSE FREQ OUT. This output requires a pull-up resistor and interfaces directly with MOS, CMOS, and TTL logic.

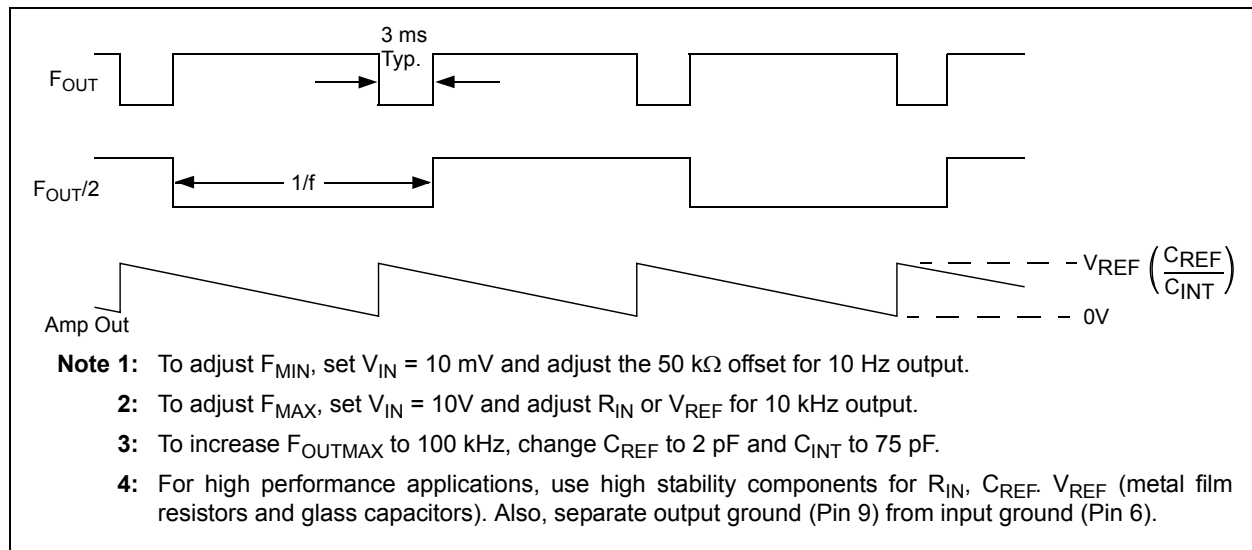
## 2.9 Threshold Detector Input

In the V/F mode, this input is connected to the AMPLIFIER OUT output (Pin 12) and triggers a 3  $\mu$ s pulse when the input voltage passes through its threshold. In the F/V mode, the input frequency is applied to this input.

The nominal threshold of the detector is half way between the power supplies, or  $(V_{DD} + V_{SS})/2 \pm 400$  mV. The TC9400's charge balancing V/F technique is not dependent on a precision comparator threshold, because the threshold only sets the lower limit of the op amp output. The op amp's peak-to-peak output swing, which determines the frequency, is only influenced by external capacitors and by  $V_{REF}$ .

## 2.10 Amplifier Out

This pin is the output stage of the operational amplifier. During V/F operation, a negative going ramp signal is available at this pin. In the F/V mode, a voltage proportional to the frequency input is generated.



**FIGURE 2-1:** Output Waveforms.

# TC9400/9401/9402

## 3.0 DETAILED DESCRIPTION

### 3.1 Voltage-to-Frequency (V/F) Circuit Description

The TC9400 V/F converter operates on the principal of charge balancing. The operation of the TC9400 is easily understood by referring to Figure 3-1. The input voltage ( $V_{IN}$ ) is converted to a current ( $I_{IN}$ ) by the input resistor. This current is then converted to a charge on the integrating capacitor and shows up as a linearly decreasing voltage at the output of the op amp. The lower limit of the output swing is set by the threshold detector, which causes the reference voltage to be applied to the reference capacitor for a time period long enough to charge the capacitor to the reference voltage. This action reduces the charge on the integrating capacitor by a fixed amount ( $q = C_{REF} \times V_{REF}$ ), causing the op amp output to step up a finite amount.

At the end of the charging period,  $C_{REF}$  is shorted out. This dissipates the charge stored on the reference capacitor, so that when the output again crosses zero, the system is ready to recycle. In this manner, the continued discharging of the integrating capacitor by the input is balanced out by fixed charges from the refer-

ence voltage. As the input voltage is increased, the number of reference pulses required to maintain balance increases, which causes the output frequency to also increase. Since each charge increment is fixed, the increase in frequency with voltage is linear. In addition, the accuracy of the output pulse width does not directly affect the linearity of the V/F. The pulse must simply be long enough for full charge transfer to take place.

The TC9400 contains a "self-start" circuit to ensure the V/F converter always operates properly when power is first applied. In the event that, during power-on, the op amp output is below the threshold and  $C_{REF}$  is already charged, a positive voltage step will not occur. The op amp output will continue to decrease until it crosses the -3.0V threshold of the "self-start" comparator. When this happens, an internal resistor is connected to the op amp input, which forces the output to go positive until the TC9400 is in its normal Operating mode.

The TC9400 utilizes low-power CMOS processing for low input bias and offset currents, with very low power dissipation. The open drain N-channel output FETs provide high voltage and high current sink capability.

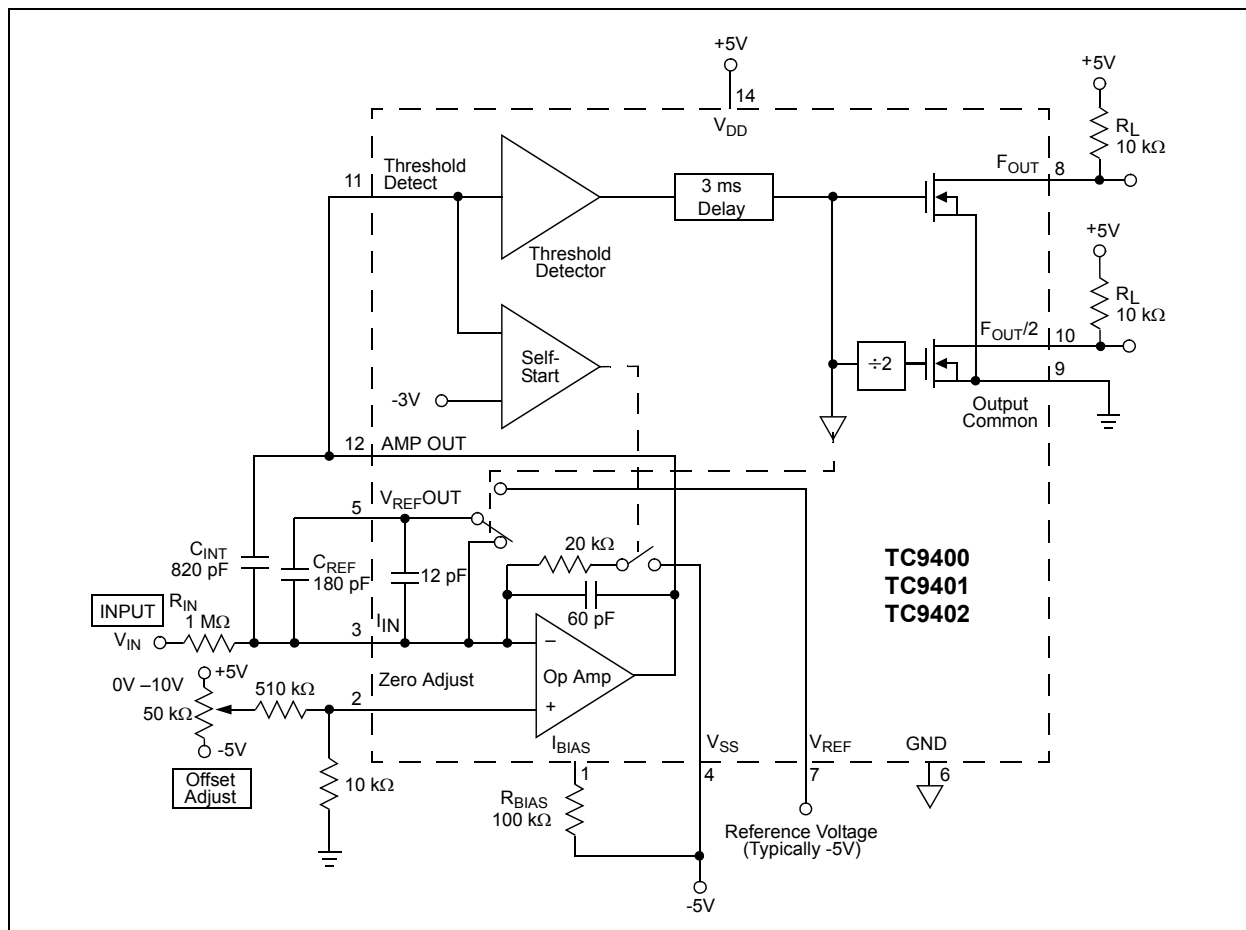


FIGURE 3-1: 10 Hz to 10 kHz V/F Converter.



## 3.2 Voltage-to-Time Measurements

The TC9400 output can be measured in the time domain as well as the frequency domain. Some microcomputers, for example, have extensive timing capability, but limited counter capability. Also, the response time of a time domain measurement is only the period between two output pulses, while the frequency measurement must accumulate pulses during the entire counter time-base period.

Time measurements can be made from either the TC9400's PULSE FREQ OUT output, or from the FREQ/2 OUT output. The FREQ/2 OUT output changes state on the rising edge of PULSE FREQ OUT, so FREQ/2 OUT is a symmetrical square wave at one-half the pulse output frequency. Timing measurements can, therefore, be made between successive PULSE FREQ OUT pulses, or while FREQ/2 OUT is high (or low).

# TC9400/9401/9402

## 4.0 VOLTAGE-TO-FREQUENCY (V/F) CONVERTER DESIGN INFORMATION

### 4.1 Input/Output Relationships

The output frequency ( $F_{OUT}$ ) is related to the analog input voltage ( $V_{IN}$ ) by the transfer equation:

#### EQUATION 4-1:

$$Frequency\ Out = \frac{V_{IN}}{R_{IN}} \cdot \frac{1}{(V_{REF})(C_{REF})}$$

### 4.2 External Component Selection

#### 4.2.1 $R_{IN}$

The value of this component is chosen to give a full scale input current of approximately 10  $\mu$ A:

#### EQUATION 4-2:

$$R_{IN} \cong \frac{V_{IN}^{FULL\ SCALE}}{10\ \mu A}$$

#### EQUATION 4-3:

$$R_{IN} \cong \frac{10V}{10\ \mu A} = 1\ M\Omega$$

Note that the value is an approximation and the exact relationship is defined by the transfer equation. In practice, the value of  $R_{IN}$  typically would be trimmed to obtain full scale frequency at  $V_{IN}$  full scale (see **Section 4.3 “Adjustment Procedure”**, Adjustment Procedure). Metal film resistors with 1% tolerance or better are recommended for high accuracy applications because of their thermal stability and low noise generation.

#### 4.2.2 $C_{INT}$

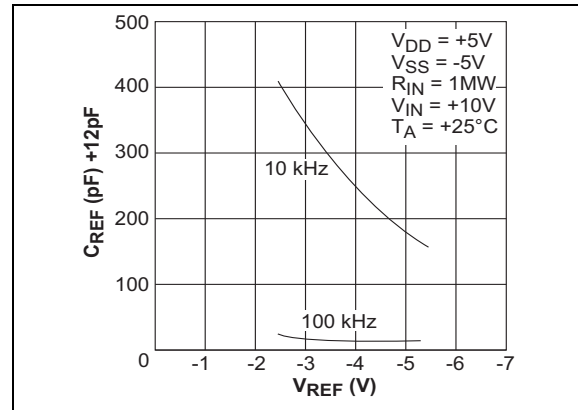
The exact value is not critical but is related to  $C_{REF}$  by the relationship:

$$3C_{REF} \leq C_{INT} \leq 10C_{REF}$$

Improved stability and linearity are obtained when  $C_{INT} \leq 4C_{REF}$ . Low leakage types are recommended, although mica and ceramic devices can be used in applications where their temperature limits are not exceeded. Locate as close as possible to Pins 12 and 13.

#### 4.2.3 $C_{REF}$

The exact value is not critical and may be used to trim the full scale frequency (see **Section 6.1 “Input/Output Relationships”**, Input/Output Relationships). Glass film or air trimmer capacitors are recommended because of their stability and low leakage. Locate as close as possible to Pins 5 and 3 (see **Figure 4-1**).



**FIGURE 4-1:** Recommended  $C_{REF}$  vs.  $V_{REF}$ .

#### 4.2.4 $V_{DD}$ , $V_{SS}$

Power supplies of  $\pm 5V$  are recommended. For high accuracy requirements, 0.05% line and load regulation and 0.1  $\mu$ F disc decoupling capacitors, located near the pins, are recommended.

### 4.3 Adjustment Procedure

**Figure 3-1** shows a circuit for trimming the zero location. Full scale may be trimmed by adjusting  $R_{IN}$ ,  $V_{REF}$ , or  $C_{REF}$ . Recommended procedure for a 10 kHz full scale frequency is as follows:

1. Set  $V_{IN}$  to 10 mV and trim the zero adjust circuit to obtain a 10 Hz output frequency.
2. Set  $V_{IN}$  to 10V and trim either  $R_{IN}$ ,  $V_{REF}$ , or  $C_{REF}$  to obtain a 10 kHz output frequency.

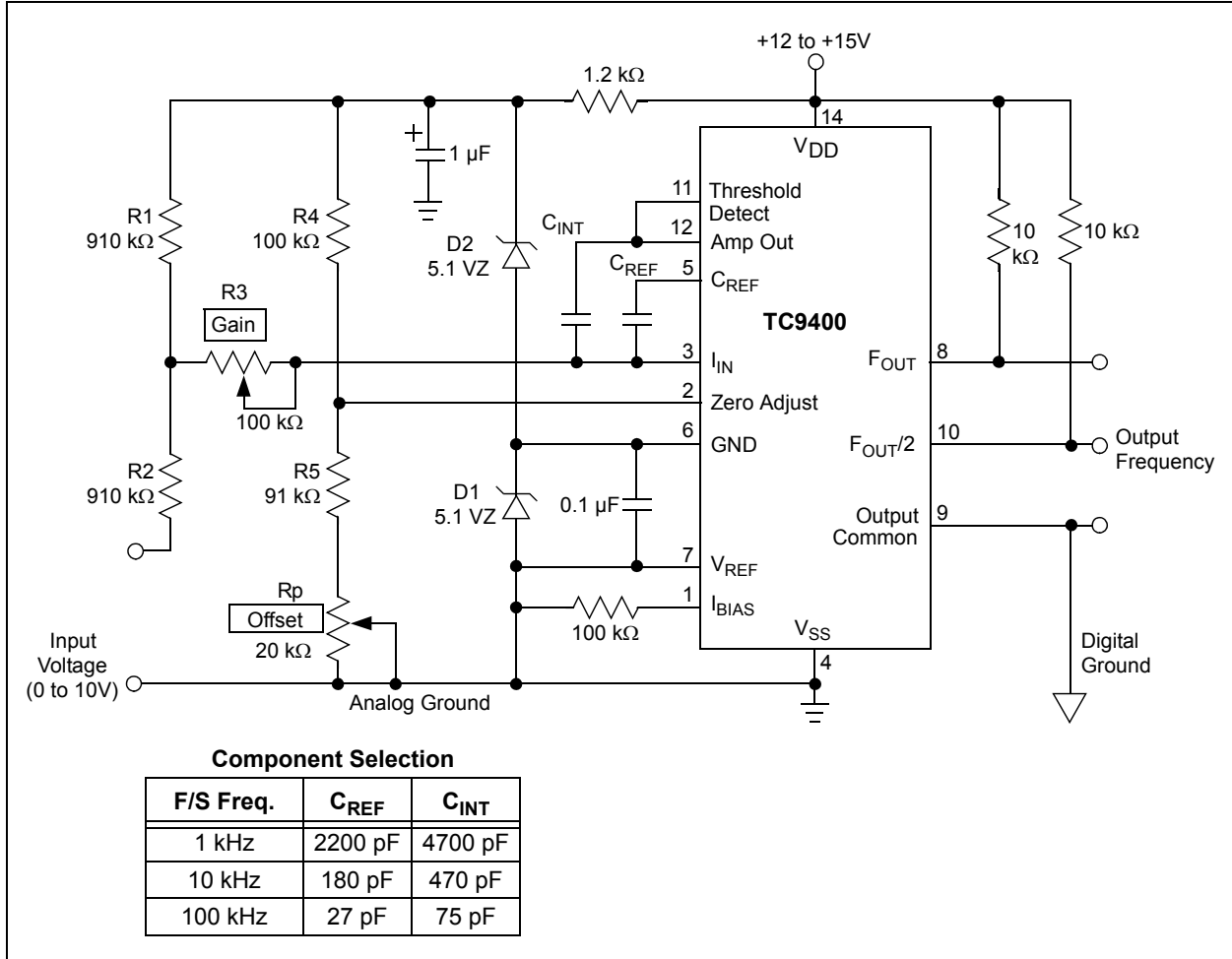
If adjustments are performed in this order, there should be no interaction and they should not have to be repeated.

### 4.4 Improved Single Supply V/F Converter Operation

A TC9400, which operates from a single 12 to 15V variable power source, is shown in **Figure 4-2**. This circuit uses two Zener diodes to set stable biasing levels for the TC9400. The Zener diodes also provide the reference voltage, so the output impedance and temperature coefficient of the Zeners will directly affect power supply rejection and temperature performance. Full scale adjustment is accomplished by trimming the input current.

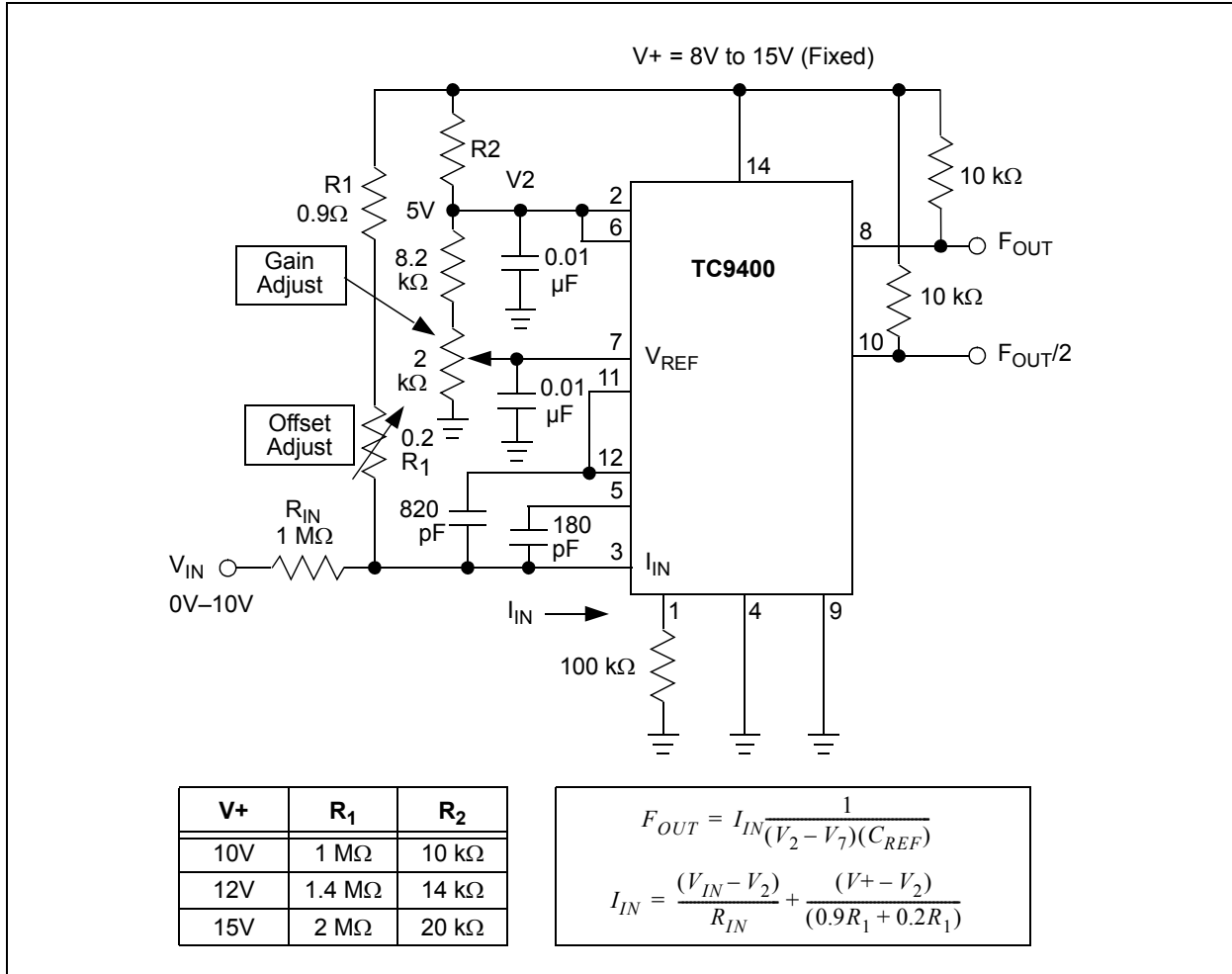
Trimming the reference voltage is not recommended for high accuracy applications unless an op amp is used as a buffer, because the TC9400 requires a low-impedance reference (see **Section 2.5 “Voltage Reference (VREF)”**, V<sub>REF</sub> pin description, for more information).

The circuit of **Figure 4-2** will directly interface with CMOS logic operating at 12V to 15V. TTL or 5V CMOS logic can be accommodated by connecting the output pull-up resistors to the +5V supply. An optoisolator can also be used if an isolated output is required; also, see **Figure 4-3**.



**FIGURE 4-2:** Voltage-to-Frequency.

# TC9400/9401/9402



**FIGURE 4-3:** Fixed Voltage – Single Supply Operation.

## 5.0 FREQUENCY-TO-VOLTAGE (F/V) CIRCUIT DESCRIPTION

When used as an F/V converter, the TC9400 generates an output voltage linearly proportional to the input frequency waveform.

Each zero crossing at the threshold detector's input causes a precise amount of charge ( $q = C_{REF} \times V_{REF}$ ) to be dispensed into the op amp's summing junction. This charge, in turn, flows through the feedback resistor, generating voltage pulses at the output of the op amp. A capacitor ( $C_{INT}$ ) across  $R_{INT}$  averages these pulses into a DC voltage, which is linearly proportional to the input frequency.

# TC9400/9401/9402

## 6.0 F/V CONVERTER DESIGN INFORMATION

### 6.1 Input/Output Relationships

The output voltage is related to the input frequency ( $F_{IN}$ ) by the transfer equation:

#### EQUATION 6-1:

$$V_{OUT} = [V_{REF} C_{REF} R_{INT}] F_{IN}$$

The response time to a change in  $F_{IN}$  is equal to  $(R_{INT} C_{INT})$ . The amount of ripple on  $V_{OUT}$  is inversely proportional to  $C_{INT}$  and the input frequency.

$C_{INT}$  can be increased to lower the ripple. Values of  $1 \mu\text{F}$  to  $100 \mu\text{F}$  are perfectly acceptable for low frequencies.

When the TC9400 is used in the Single Supply mode,  $V_{REF}$  is defined as the voltage difference between Pin 7 and Pin 2.

### 6.2 Input Voltage Levels

The input frequency is applied to the Threshold Detector input (Pin 11). As discussed in the V/F circuit section of this data sheet, the threshold of Pin 11 is approximately  $(V_{DD} + V_{SS})/2 \pm 400 \text{ mV}$ . Pin 11's input voltage range extends from  $V_{DD}$  to about 2.5V below the threshold. If the voltage on Pin 11 goes more than 2.5 volts below the threshold, the V/F mode start-up comparator will turn on and corrupt the output voltage. The Threshold Detector input has about 200 mV of hysteresis.

In  $\pm 5\text{V}$  applications, the input voltage levels for the TC9400 are  $\pm 400 \text{ mV}$ , minimum. If the frequency source being measured is unipolar, such as TTL or CMOS operating from a +5V source, then an AC coupled level shifter should be used. One such circuit is shown in Figure 6-1(a).

The level shifter circuit in Figure 6-1(b) can be used in single supply F/V applications. The resistor divider ensures that the input threshold will track the supply voltages. The diode clamp prevents the input from going far enough in the negative direction to turn on the start-up comparator. The diode's forward voltage decreases by  $2.1 \text{ mV}/^\circ\text{C}$ , so for high ambient temperature operation, two diodes in series are recommended.

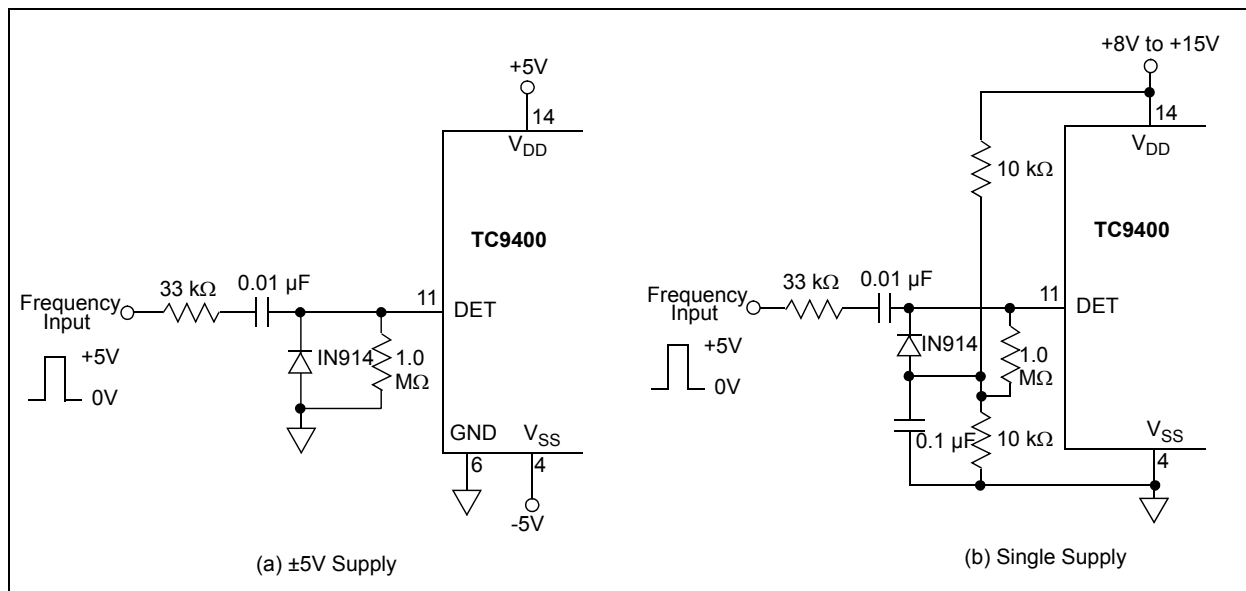
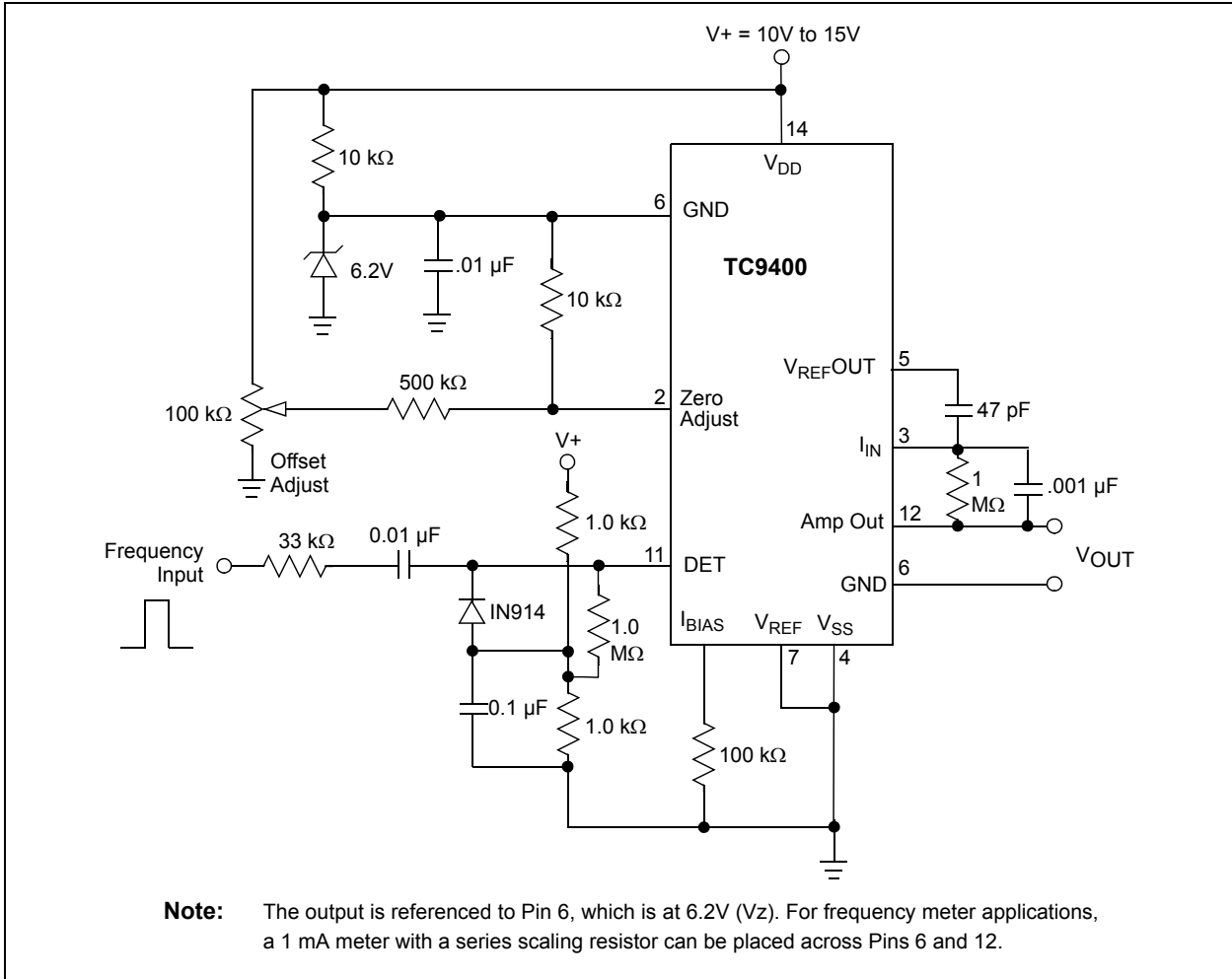


FIGURE 6-1: Frequency Input Level Shifter.

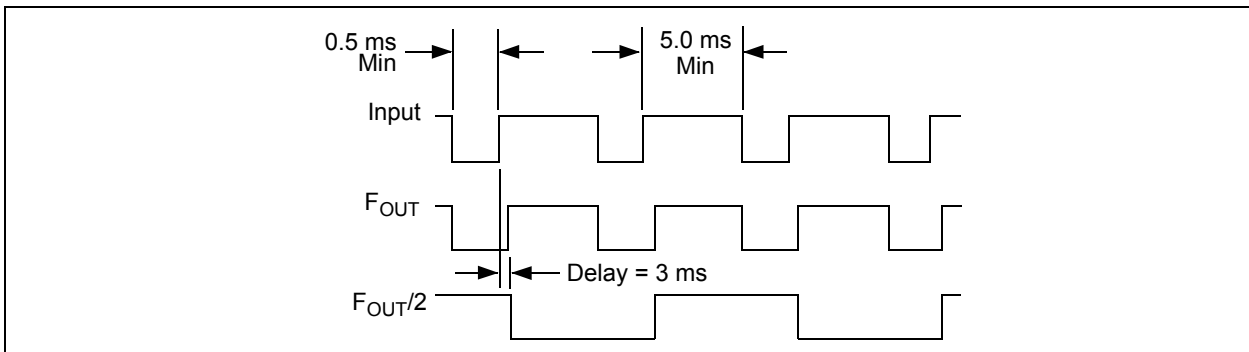


**FIGURE 6-2:** F/V Single Supply F/V Converter.

### 6.3 Input Buffer

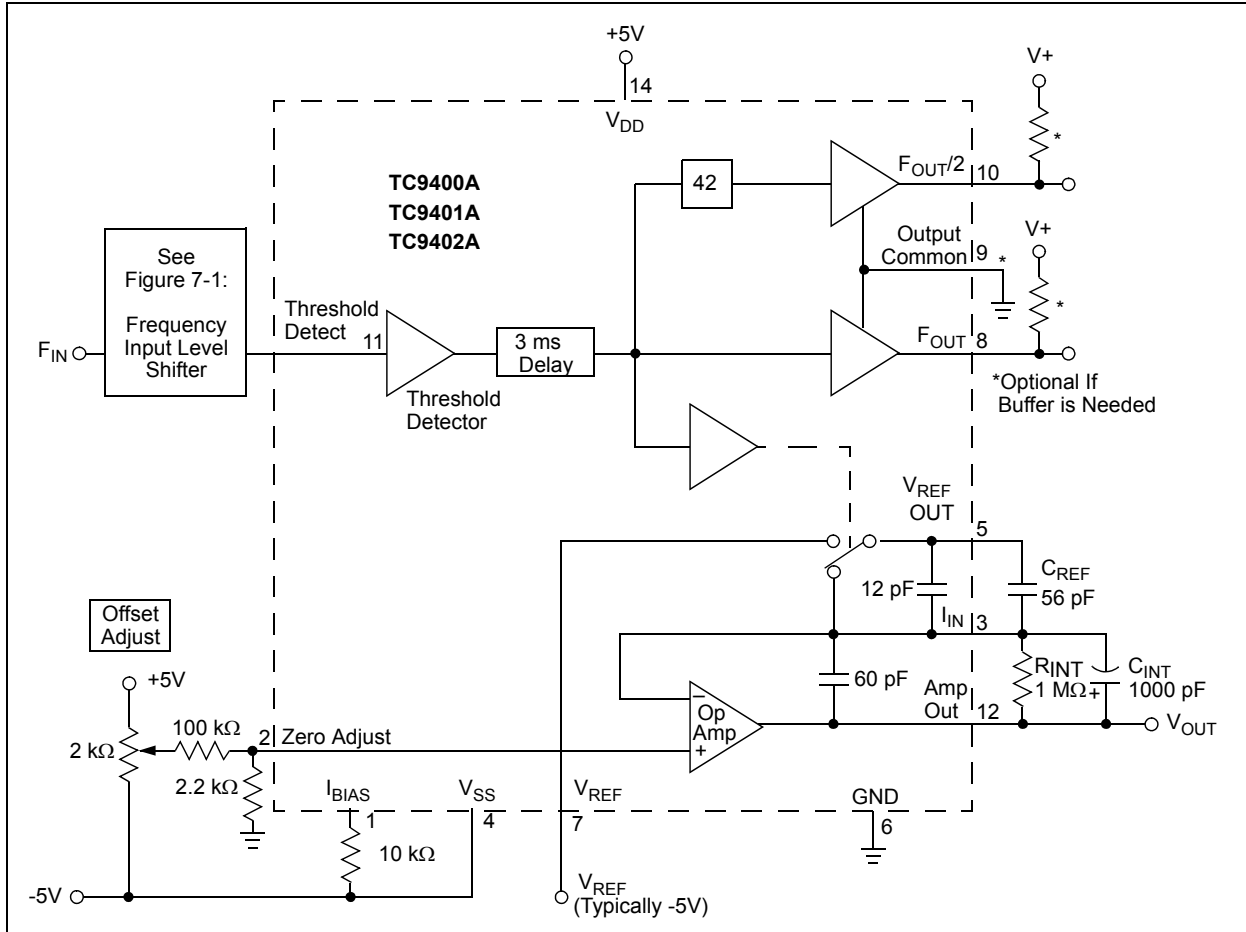
$F_{OUT}$  and  $F_{OUT}/2$  are not used in the F/V mode. However, these outputs may be useful for some applications, such as a buffer to feed additional circuitry. Then,  $F_{OUT}$  will follow the input frequency waveform, except that  $F_{OUT}$  will go high 3  $\mu$ s after  $F_{IN}$  goes high;  $F_{OUT}/2$  will be square wave with a frequency of one-half  $F_{OUT}$ .

If these outputs are not used, Pins 8, 9 and 10 should be connected to ground (see Figure 6-3 and Figure 6-4).



**FIGURE 6-3:** F/V Digital Outputs.

# TC9400/9401/9402

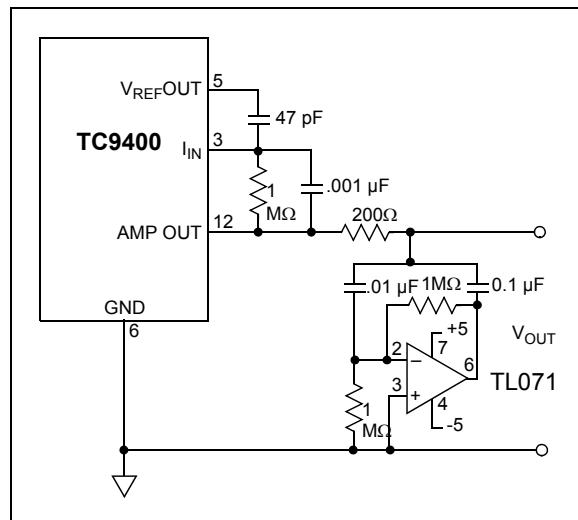


**FIGURE 6-4:** DC – 10 kHz Converter.

## 6.4 Output Filtering

The output of the TC9400 has a sawtooth ripple superimposed on a DC level. The ripple will be rejected if the TC9400 output is converted to a digital value by an integrating Analog-to-Digital Converter, such as the TC7107. The ripple can also be reduced by increasing the value of the integrating capacitor, although this will reduce the response time of the F/V converter.

The sawtooth ripple on the output of an F/V can be eliminated without affecting the F/V's response time by using the circuit in Figure 6-1. The circuit is a capacitance multiplier, where the output coupling capacitor is multiplied by the AC gain of the op amp. A moderately fast op amp, such as the TL071, should be used.



**FIGURE 6-5:** Ripple Filter.



## 7.0 F/V POWER-ON RESET

In F/V mode, the TC9400 output voltage will occasionally be at its maximum value when power is first applied. This condition remains until the first pulse is applied to  $F_{IN}$ . In most frequency measurement applications, this is not a problem because proper operation begins as soon as the frequency input is applied.

In some cases, however, the TC9400 output must be zero at power-on without a frequency input. In such cases, a capacitor connected from Pin 11 to  $V_{DD}$  will usually be sufficient to pulse the TC9400 and provide a Power-on Reset (see Figure 7-1 (a) and (b)). Where predictable power-on operation is critical, a more complicated circuit, such as Figure 7-1 (b), may be required.

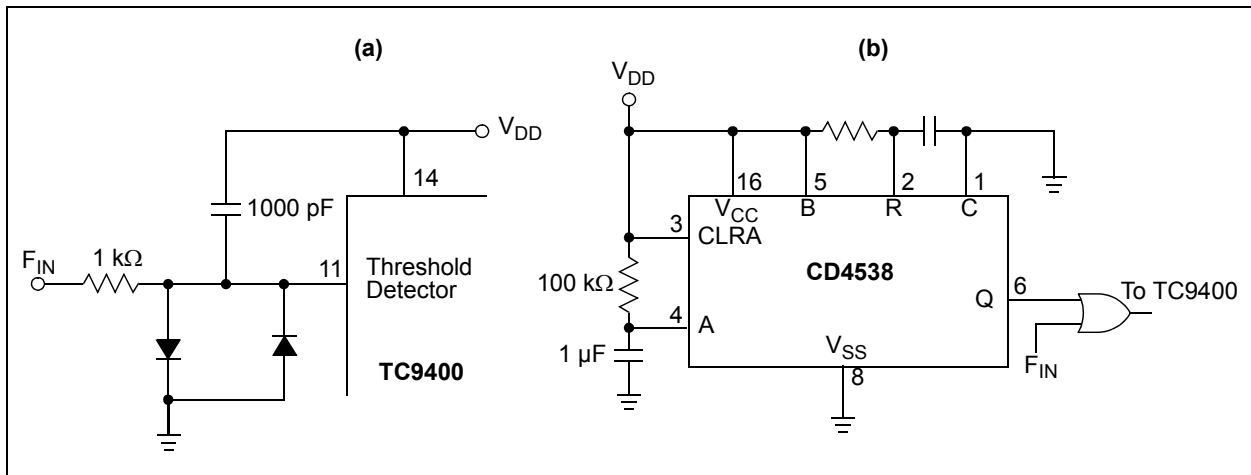


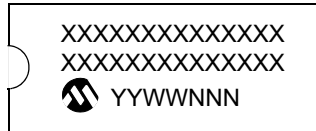
FIGURE 7-1: Power-On Operation/Reset.

# TC9400/9401/9402

## 8.0 PACKAGE INFORMATION

### 8.1 Package Marking Information

14-Lead CERDIP



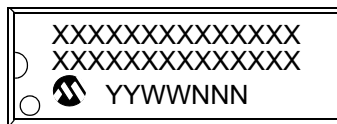
Example: (Front View)



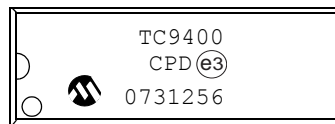
Example: (Back View)



14-Lead PDIP



Example: (Front View)



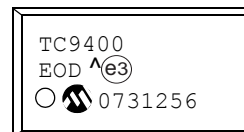
Example: (Back View)



14-Lead SOIC (.150")



Example: (Front View)



Example: (Back View)

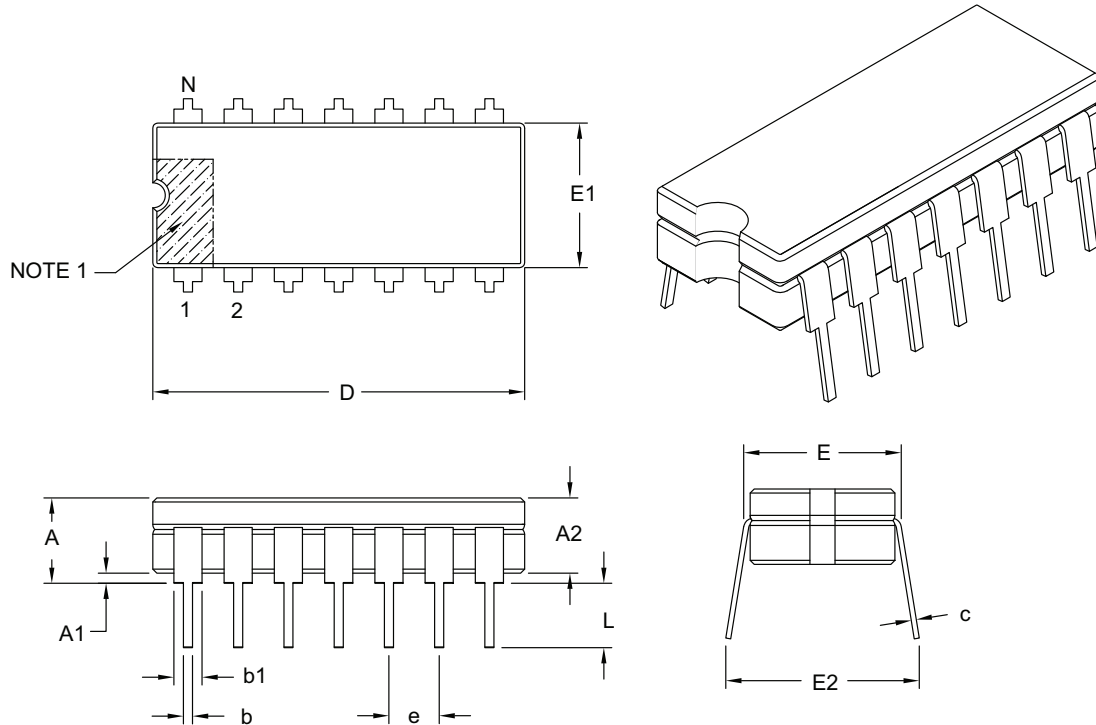


<b>Legend:</b>	XX...X	Customer-specific information
	Y	Year code (last digit of calendar year)
	YY	Year code (last 2 digits of calendar year)
	WW	Week code (week of January 1 is week '01')
	NNN	Alphanumeric traceability code
	(e3)	Pb-free JEDEC designator for Matte Tin (Sn)
	*	This package is Pb-free. The Pb-free JEDEC designator (e3) can be found on the outer packaging for this package.

**Note:** In the event the full Microchip part number cannot be marked on one line, it will be carried over to the next line, thus limiting the number of available characters for customer-specific information.

## 14-Lead Ceramic Dual In-Line (JD) – .300" Body [CERDIP]

**Note:** For the most current package drawings, please see the Microchip Packaging Specification located at <http://www.microchip.com/packaging>



Dimension Limits	Units	INCHES		
		MIN	NOM	MAX
Number of Pins	N	14		
Pitch	e	.100 BSC		
Top to Seating Plane	A	–	–	.200
Standoff §	A1	.015	–	–
Ceramic Package Height	A2	.140	–	.175
Shoulder to Shoulder Width	E	.290	–	.325
Ceramic Package Width	E1	.230	.288	.300
Overall Length	D	.740	.760	.780
Tip to Seating Plane	L	.125	–	.200
Lead Thickness	c	.008	–	.015
Upper Lead Width	b1	.045	–	.065
Lower Lead Width	b	.015	–	.023
Overall Row Spacing	E2	.320	–	.410

**Notes:**

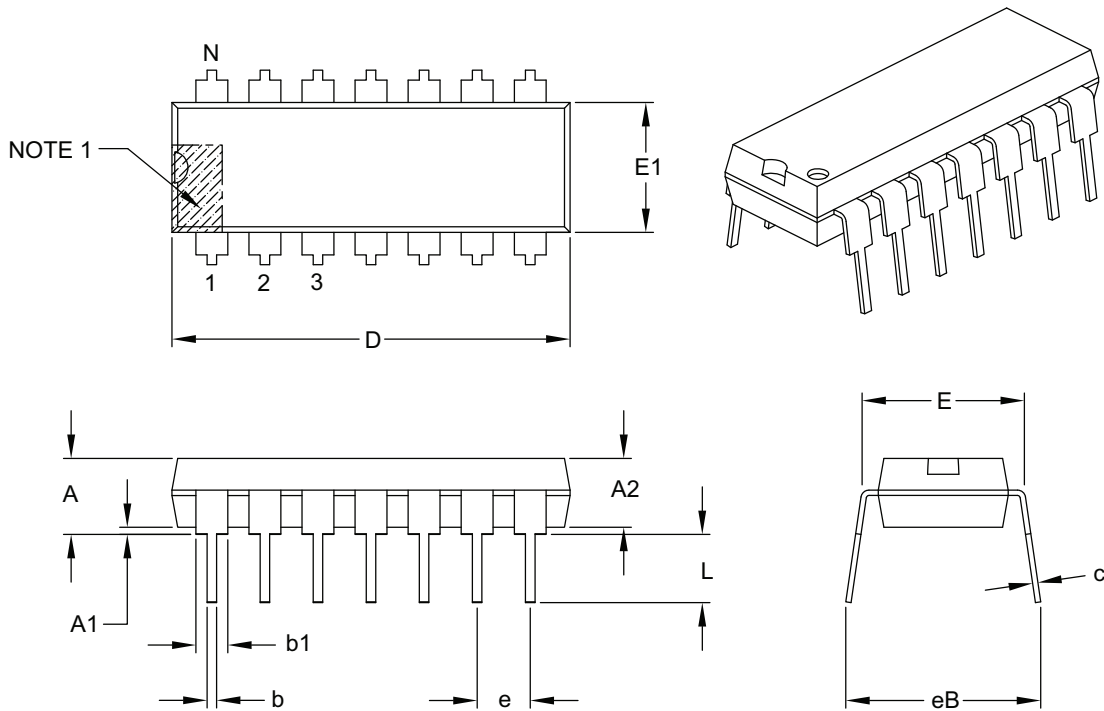
- Pin 1 visual index feature may vary, but must be located within the hatched area.
- § Significant Characteristic.
- Dimensioning and tolerancing per ASME Y14.5M.  
BSC: Basic Dimension. Theoretically exact value shown without tolerances.

Microchip Technology Drawing C04-002B

# TC9400/9401/9402

## 14-Lead Plastic Dual In-Line (PD) – 300 mil Body [PDIP]

**Note:** For the most current package drawings, please see the Microchip Packaging Specification located at <http://www.microchip.com/packaging>



Dimension Limits	Units	INCHES		
		MIN	NOM	MAX
Number of Pins	N	14		
Pitch	e	.100 BSC		
Top to Seating Plane	A	–	–	.210
Molded Package Thickness	A2	.115	.130	.195
Base to Seating Plane	A1	.015	–	–
Shoulder to Shoulder Width	E	.290	.310	.325
Molded Package Width	E1	.240	.250	.280
Overall Length	D	.735	.750	.775
Tip to Seating Plane	L	.115	.130	.150
Lead Thickness	c	.008	.010	.015
Upper Lead Width	b1	.045	.060	.070
Lower Lead Width	b	.014	.018	.022
Overall Row Spacing §	eB	–	–	.430

### Notes:

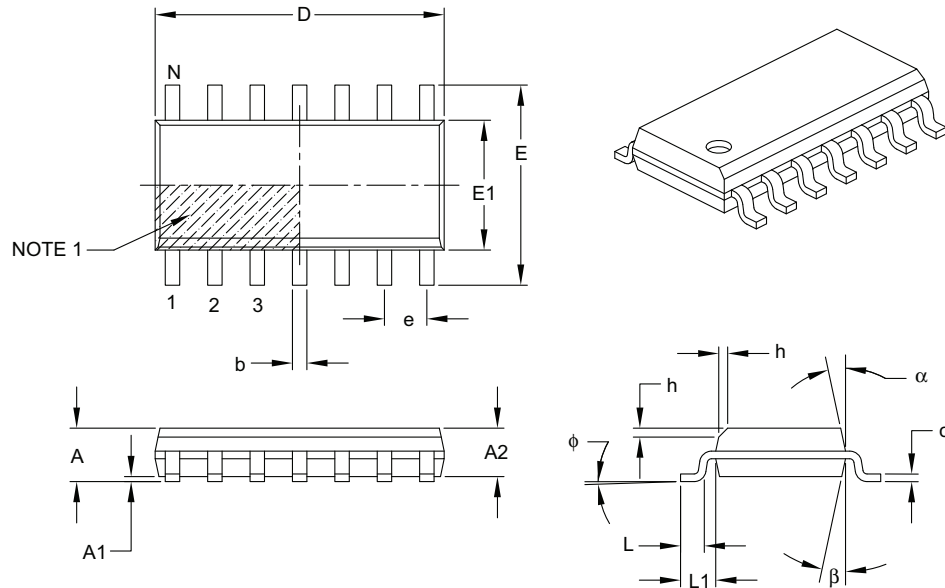
- Pin 1 visual index feature may vary, but must be located with the hatched area.
- § Significant Characteristic.
- Dimensions D and E1 do not include mold flash or protrusions. Mold flash or protrusions shall not exceed .010" per side.
- Dimensioning and tolerancing per ASME Y14.5M.

BSC: Basic Dimension. Theoretically exact value shown without tolerances.

Microchip Technology Drawing C04-005B

## 14-Lead Plastic Small Outline (OD) – Narrow, 3.90 mm Body [SOIC]

**Note:** For the most current package drawings, please see the Microchip Packaging Specification located at <http://www.microchip.com/packaging>



Dimension Limits	Units	MILLIMETERS		
		MIN	NOM	MAX
Number of Pins	N	14		
Pitch	e	1.27 BSC		
Overall Height	A	–	–	1.75
Molded Package Thickness	A2	1.25	–	–
Standoff §	A1	0.10	–	0.25
Overall Width	E	6.00 BSC		
Molded Package Width	E1	3.90 BSC		
Overall Length	D	8.65 BSC		
Chamfer (optional)	h	0.25	–	0.50
Foot Length	L	0.40	–	1.27
Footprint	L1	1.04 REF		
Foot Angle	$\phi$	0°	–	8°
Lead Thickness	c	0.17	–	0.25
Lead Width	b	0.31	–	0.51
Mold Draft Angle Top	$\alpha$	5°	–	15°
Mold Draft Angle Bottom	$\beta$	5°	–	15°

**Notes:**

- Pin 1 visual index feature may vary, but must be located within the hatched area.
- § Significant Characteristic.
- Dimensions D and E1 do not include mold flash or protrusions. Mold flash or protrusions shall not exceed 0.15 mm per side.
- Dimensioning and tolerancing per ASME Y14.5M.

BSC: Basic Dimension. Theoretically exact value shown without tolerances.

REF: Reference Dimension, usually without tolerance, for information purposes only.

Microchip Technology Drawing C04-065B

# TC9400/9401/9402

---

NOTES:

## **APPENDIX A: REVISION HISTORY**

### **Revision D (September 2007)**

The following is the list of modifications:

1. Corrected Figure 6-1.
2. Added History section.
3. Updated package marking information and package outline drawings
4. Added Product identification System section.

### **Revision C (May 2006)**

### **Revision B (May 2002)**

### **Revision A (April 2002)**

- Original Release of this Document.

# TC9400/9401/9402

---

NOTES:



## PRODUCT IDENTIFICATION SYSTEM

To order or obtain information, e.g., on pricing or delivery, refer to the factory or the listed sales office.

<b>PART NO.</b>	<b>X</b>	<b>XX</b>	
Device	Temperature Range	Package	
Device			TC9400: Voltage-to-Frequency Converter TC9401: Voltage-to-Frequency Converter TC9402: Voltage-to-Frequency Converter
Temperature Range			E = -40°C to +85°C (Extended) C = 0°C to +70°C (Commercial)
Package			JD = Ceramic Dual-Inline (.300" Body), 14-lead PD = Plastic Dual-Inline (300 mil Body), 14-lead OD = Plastic Small Outline (3.90 MM Body), 14-lead OD713 = Plastic Small Outline (3.90 MM Body), 14-lead Tape and Reel.
			<b>Examples:</b> a) TC9400COD: 0°C to +70°C, 14LD SOIC package. b) TC9400COD713: 0°C to +70°C, 14LD SOIC package, Tape and Reel. c) TC9400CPD: 0°C to +70°C, 14LD PDIP package. d) TC9400EJD: -40°C to +85°C, 14LD PDIP package.  a) TC9401CPD: 0°C to +70°C, 14LD PDIP package. b) TC9401EJD: -40°C to +85°C, 14LD CERDIP package.  a) TC9402CPD: 0°C to +70°C, 14LD PDIP package. b) TC9402EJD: -40°C to +85°C, 14LD CERDIP package.

# TC9400/9401/9402

---

NOTES:

---

**Note the following details of the code protection feature on Microchip devices:**

- Microchip products meet the specification contained in their particular Microchip Data Sheet.
- Microchip believes that its family of products is one of the most secure families of its kind on the market today, when used in the intended manner and under normal conditions.
- There are dishonest and possibly illegal methods used to breach the code protection feature. All of these methods, to our knowledge, require using the Microchip products in a manner outside the operating specifications contained in Microchip's Data Sheets. Most likely, the person doing so is engaged in theft of intellectual property.
- Microchip is willing to work with the customer who is concerned about the integrity of their code.
- Neither Microchip nor any other semiconductor manufacturer can guarantee the security of their code. Code protection does not mean that we are guaranteeing the product as "unbreakable."

Code protection is constantly evolving. We at Microchip are committed to continuously improving the code protection features of our products. Attempts to break Microchip's code protection feature may be a violation of the Digital Millennium Copyright Act. If such acts allow unauthorized access to your software or other copyrighted work, you may have a right to sue for relief under that Act.

---

Information contained in this publication regarding device applications and the like is provided only for your convenience and may be superseded by updates. It is your responsibility to ensure that your application meets with your specifications. MICROCHIP MAKES NO REPRESENTATIONS OR WARRANTIES OF ANY KIND WHETHER EXPRESS OR IMPLIED, WRITTEN OR ORAL, STATUTORY OR OTHERWISE, RELATED TO THE INFORMATION, INCLUDING BUT NOT LIMITED TO ITS CONDITION, QUALITY, PERFORMANCE, MERCHANTABILITY OR FITNESS FOR PURPOSE. Microchip disclaims all liability arising from this information and its use. Use of Microchip devices in life support and/or safety applications is entirely at the buyer's risk, and the buyer agrees to defend, indemnify and hold harmless Microchip from any and all damages, claims, suits, or expenses resulting from such use. No licenses are conveyed, implicitly or otherwise, under any Microchip intellectual property rights.

**Trademarks**

The Microchip name and logo, the Microchip logo, Accuron, dsPIC, KEELOQ, KEELOQ logo, microID, MPLAB, PIC, PICmicro, PICSTART, PRO MATE, rPIC and SmartShunt are registered trademarks of Microchip Technology Incorporated in the U.S.A. and other countries.


AmpLab, FilterLab, Linear Active Thermistor, Migratable Memory, MXDEV, MXLAB, SEEVAL, SmartSensor and The Embedded Control Solutions Company are registered trademarks of Microchip Technology Incorporated in the U.S.A.

Analog-for-the-Digital Age, Application Maestro, CodeGuard, dsPICDEM, dsPICDEM.net, dsPICworks, dsSPEAK, ECAN, ECONOMONITOR, FanSense, FlexROM, fuzzyLAB, In-Circuit Serial Programming, ICSP, ICEPIC, Mindi, MiWi, MPASM, MPLAB Certified logo, MPLIB, MPLINK, PICkit, PICDEM, PICDEM.net, PICLAB, PICtail, PowerCal, PowerInfo, PowerMate, PowerTool, REAL ICE, rLAB, Select Mode, Smart Serial, SmartTel, Total Endurance, UNI/O, WiperLock and ZENA are trademarks of Microchip Technology Incorporated in the U.S.A. and other countries.

SQTP is a service mark of Microchip Technology Incorporated in the U.S.A.

All other trademarks mentioned herein are property of their respective companies.

© 2007, Microchip Technology Incorporated, Printed in the U.S.A., All Rights Reserved.

 Printed on recycled paper.

**QUALITY MANAGEMENT SYSTEM  
CERTIFIED BY DNV  
== ISO/TS 16949:2002 ==**

*Microchip received ISO/TS-16949:2002 certification for its worldwide headquarters, design and wafer fabrication facilities in Chandler and Tempe, Arizona; Gresham, Oregon and design centers in California and India. The Company's quality system processes and procedures are for its PIC® MCUs and dsPIC® DSCs, KEELOQ® code hopping devices, Serial EEPROMs, microperipherals, nonvolatile memory and analog products. In addition, Microchip's quality system for the design and manufacture of development systems is ISO 9001:2000 certified.*



## WORLDWIDE SALES AND SERVICE

### AMERICAS

**Corporate Office**  
2355 West Chandler Blvd.  
Chandler, AZ 85224-6199  
Tel: 480-792-7200  
Fax: 480-792-7277  
Technical Support:  
<http://support.microchip.com>  
Web Address:  
[www.microchip.com](http://www.microchip.com)

**Atlanta**  
Duluth, GA  
Tel: 678-957-9614  
Fax: 678-957-1455

**Boston**  
Westborough, MA  
Tel: 774-760-0087  
Fax: 774-760-0088

**Chicago**  
Itasca, IL  
Tel: 630-285-0071  
Fax: 630-285-0075

**Dallas**  
Addison, TX  
Tel: 972-818-7423  
Fax: 972-818-2924

**Detroit**  
Farmington Hills, MI  
Tel: 248-538-2250  
Fax: 248-538-2260

**Kokomo**  
Kokomo, IN  
Tel: 765-864-8360  
Fax: 765-864-8387

**Los Angeles**  
Mission Viejo, CA  
Tel: 949-462-9523  
Fax: 949-462-9608

**Santa Clara**  
Santa Clara, CA  
Tel: 408-961-6444  
Fax: 408-961-6445

**Toronto**  
Mississauga, Ontario,  
Canada  
Tel: 905-673-0699  
Fax: 905-673-6509

### ASIA/PACIFIC

**Asia Pacific Office**  
Suites 3707-14, 37th Floor  
Tower 6, The Gateway  
Harbour City, Kowloon  
Hong Kong  
Tel: 852-2401-1200  
Fax: 852-2401-3431

**Australia - Sydney**  
Tel: 61-2-9868-6733  
Fax: 61-2-9868-6755

**China - Beijing**  
Tel: 86-10-8528-2100  
Fax: 86-10-8528-2104

**China - Chengdu**  
Tel: 86-28-8665-5511  
Fax: 86-28-8665-7889

**China - Fuzhou**  
Tel: 86-591-8750-3506  
Fax: 86-591-8750-3521

**China - Hong Kong SAR**  
Tel: 852-2401-1200  
Fax: 852-2401-3431

**China - Qingdao**  
Tel: 86-532-8502-7355  
Fax: 86-532-8502-7205

**China - Shanghai**  
Tel: 86-21-5407-5533  
Fax: 86-21-5407-5066

**China - Shenyang**  
Tel: 86-24-2334-2829  
Fax: 86-24-2334-2393

**China - Shenzhen**  
Tel: 86-755-8203-2660  
Fax: 86-755-8203-1760

**China - Shunde**  
Tel: 86-757-2839-5507  
Fax: 86-757-2839-5571

**China - Wuhan**  
Tel: 86-27-5980-5300  
Fax: 86-27-5980-5118

**China - Xian**  
Tel: 86-29-8833-7252  
Fax: 86-29-8833-7256

### ASIA/PACIFIC

**India - Bangalore**  
Tel: 91-80-4182-8400  
Fax: 91-80-4182-8422

**India - New Delhi**  
Tel: 91-11-4160-8631  
Fax: 91-11-4160-8632

**India - Pune**  
Tel: 91-20-2566-1512  
Fax: 91-20-2566-1513

**Japan - Yokohama**  
Tel: 81-45-471- 6166  
Fax: 81-45-471-6122

**Korea - Daegu**  
Tel: 82-53-744-4301  
Fax: 82-53-744-4302

**Korea - Seoul**  
Tel: 82-2-554-7200  
Fax: 82-2-558-5932 or  
82-2-558-5934

**Malaysia - Penang**  
Tel: 60-4-646-8870  
Fax: 60-4-646-5086

**Philippines - Manila**  
Tel: 63-2-634-9065  
Fax: 63-2-634-9069

**Singapore**  
Tel: 65-6334-8870  
Fax: 65-6334-8850

**Taiwan - Hsin Chu**  
Tel: 886-3-572-9526  
Fax: 886-3-572-6459

**Taiwan - Kaohsiung**  
Tel: 886-7-536-4818  
Fax: 886-7-536-4803

**Taiwan - Taipei**  
Tel: 886-2-2500-6610  
Fax: 886-2-2508-0102

**Thailand - Bangkok**  
Tel: 66-2-694-1351  
Fax: 66-2-694-1350

### EUROPE

**Austria - Wels**  
Tel: 43-7242-2244-39  
Fax: 43-7242-2244-393

**Denmark - Copenhagen**  
Tel: 45-4450-2828  
Fax: 45-4485-2829

**France - Paris**  
Tel: 33-1-69-53-63-20  
Fax: 33-1-69-30-90-79

**Germany - Munich**  
Tel: 49-89-627-144-0  
Fax: 49-89-627-144-44

**Italy - Milan**  
Tel: 39-0331-742611  
Fax: 39-0331-466781

**Netherlands - Drunen**  
Tel: 31-416-690399  
Fax: 31-416-690340

**Spain - Madrid**  
Tel: 34-91-708-08-90  
Fax: 34-91-708-08-91

**UK - Wokingham**  
Tel: 44-118-921-5869  
Fax: 44-118-921-5820

06/25/07