

FEATURES

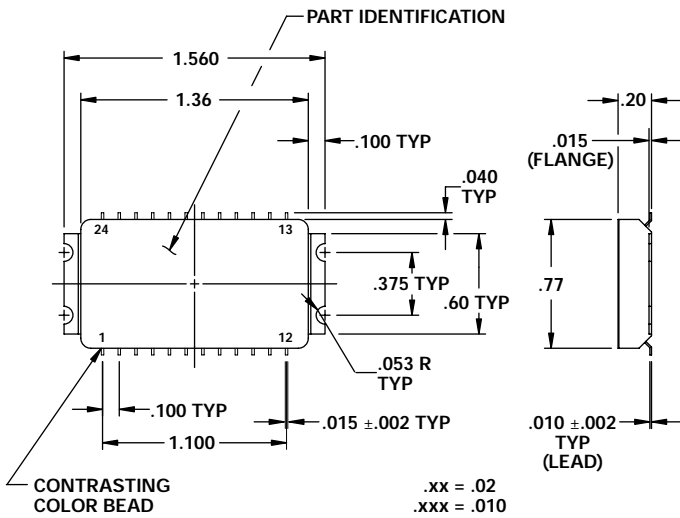
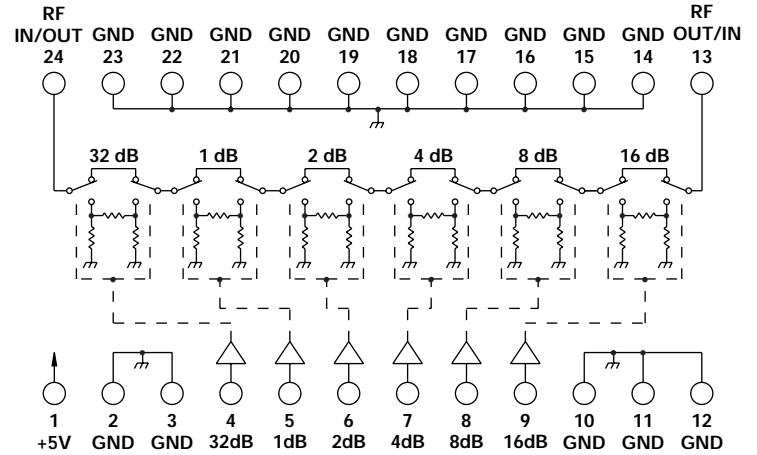
- 10 - 500 MHz
- SPACE Application
- Hermetic Package
- Radiation Tolerant, 100 K Rad
- Surface Mount



MODEL NO.
CAT15067

GaAs 6 Section Attenuator

6 BIT



GUARANTEED PERFORMANCE

Parameter	Min	Typ	Max	Units	Conditions
Operating Frequency	10		500	MHz	
DC Current		0.02	5	mA	At +5 VDC Supply
Control Type		CMOS			6 Line Logic "0" = Thru Logic "1" = Attenuation
Control Current	High	1	±20	µA	3 - 5 Volts
	Low	1	±20	µA	0 - 0.5 Volts
Insertion Loss		5	6	dB	
Attenuation	LSB	1	63	dB	1, 2, 4, 8, 16, 32
	Range	0		dB	± (0.25 dB + 2% of Atten Setting in dB)
	Accuracy			dB	
	Flatness		±0.2	dB	
VSWR		1.2/1	1.4/1		
Impedance		50		OHMS	
Switching Speed		34	50	nSec	50% Control Signal 90% / 10% RF
Transition (Rise/Fall) Time		15		nSec	10% / 90% or 90% / 10% RF
Switching (Video) Transients		280		mV	Peak Value
Intercept Points	2nd	+54	+66	dBm	70 / 50 MHz Inputs
	3rd	+34	+44	dBm	35 / 50 MHz Inputs
RF Power	Operate		+12	dBm	0.1 dB Compression
	No Damage		+10	dBm	
			+23	dBm	
Operating Temperature	0	+25	+65	°C	TA
Non-Operating Temperature	-34		+95	°C	TA

