

CMOS 4-BIT MICROCONTROLLER

**TMP47P441AN**  
**TMP47P441AF**

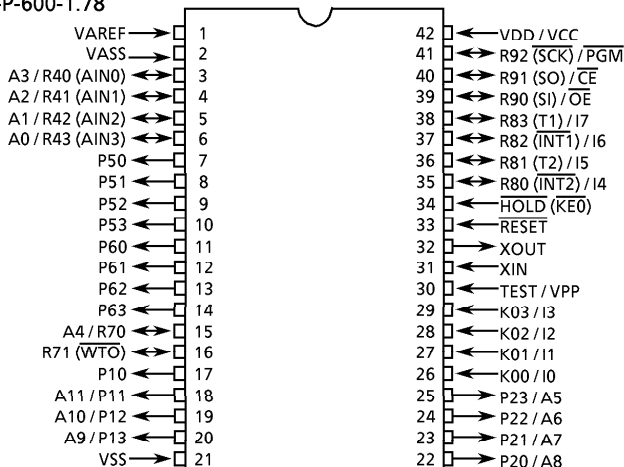
The 47P441A is the system evaluation LSI of 47C441A with 32K bits one-time PROM. The 47P441A programs / verifies using an adapter socket to connect with PROM programmer, as it is in TMM2764D.

In addition, the 47P441A and the 47C441A are pin compatible. The 47P441A operates as the same as the 47C441A by programming to the internal PROM.

PART No.	ROM	RAM	PACKAGE	ADAPTOR SOCKET
TMP47P441AN	OTP	256 x 4-bit	SDIP42-P-600-1.78	BM1118
TMP47P441AF	4096 x 8-bit		QFP44-P-1414-0.80D	BM1125

**PIN ASSIGNMENT (TOPVIEW)**

SDIP42-P-600-1.78



SDIP42-P-600-1.78

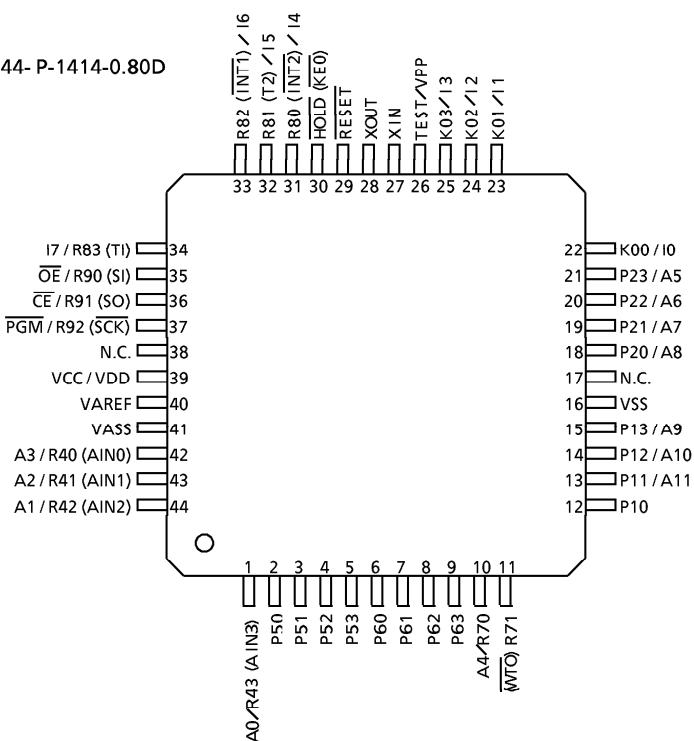
TMP47P441AN

QFP44- P-1414-0.80D

TMP47P441AF

QFP44- P-1414-0.80D



## PIN FUNCTION

The 47P441A has MCU mode and PROM mode.

## (1) MCU mode

The 47C441A and the 47P441A are pin compatible (TEST pin for out-going test. Be fixed to low level.).

## (2) PROM mode

PIN NAME	INPUT / OUTPUT	FUNCTIONS	PIN NAME (MCU MODE)
A11 - A9	INPUT	Address inputs	P11 - P13
A8 - A5			P20 - P23
A4			R70
A3 - A0			R40 - R43
I7 - I4	I/O	Data outputs (Inputs)	R83 - R80
I3 - I0			K03 - K00
$\overline{\text{PGM}}$	Input	Program control input	R92
$\overline{\text{CE}}$		Chip Enable input	R91
$\overline{\text{OE}}$		Output Enable input	R90
VPP	Power supply	+ 21V / 5V (Program supply voltage)	TEST
VCC		+ 5V	VDD
VSS		0V	VSS
P10	Output	Open	
R53 - R50	I/O	Be fixed to Low Level	
R63 - R60			
R71			
$\overline{\text{RESET}}$	Input	PROM mode setting pin. Be fixed to low level.	
HOLD	Input		
XIN	Input	Resonator connecting pin	
XOUT	output		
VAREF	Power supply	Be fixed to low level	
VASS			

## OPERATIONAL DESCRIPTION

The following is an explanation of hardware configuration and operation in relation to the 47P441A. The 47P441A is the same as the 47C441A except that an OTP is used instead of a built-in mask ROM.

### 1. OPERATION mode

The 47P441A has an MCU mode and a PROM mode.

#### 1.1 MCU mode

The MCU mode is set by fixing the TEST/VPP pin at the "L" level. Operation in the MCU mode is the same as for the 47C441A, except that the TEST/VPP pin does not have built in pull-down resistor and cannot be used open.

##### 1.1.1 Program Memory

The program storage area is the same as for the 47C441A.

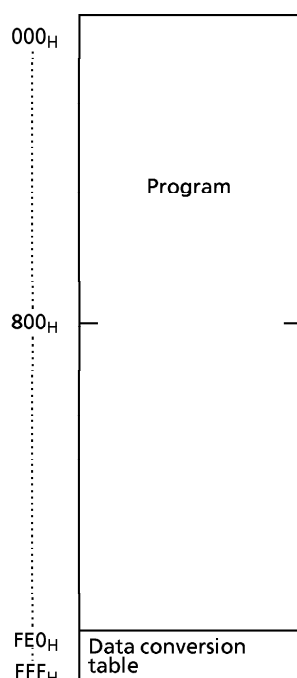


Figure 1-1. Program area

##### 1.1.2 Data Memory

The 47P441A has 256 × 4-bit data memory (RAM).

### 1.1.3 Input/Output Circuitry

(1) Control pins

This is the same as for the 47C441A except that there is no built-in pull-down resistance for the TEST pin.

(2) I/O Ports

The input/output circuit of the 47P441A is the same as I/O code TA of the 47C441A. External resistance, for example, is required when using as evaluator of other I/O codes (TB, TC), (Refer to Figure 1.2)



Figure 1-2. I/O code and external circuitry

### 1.2 PROM mode

The PROM mode is set by setting the  $\overline{\text{RESET}}$  and  $\overline{\text{HOLD}}$  pins to the "L" level. The PROM mode can be used as a general-purpose PROM writer for program writing and verification. (A high-speed program mode is used set the ROM type the same as for the TMM 2764D and an end address of FFF<sub>H</sub>).

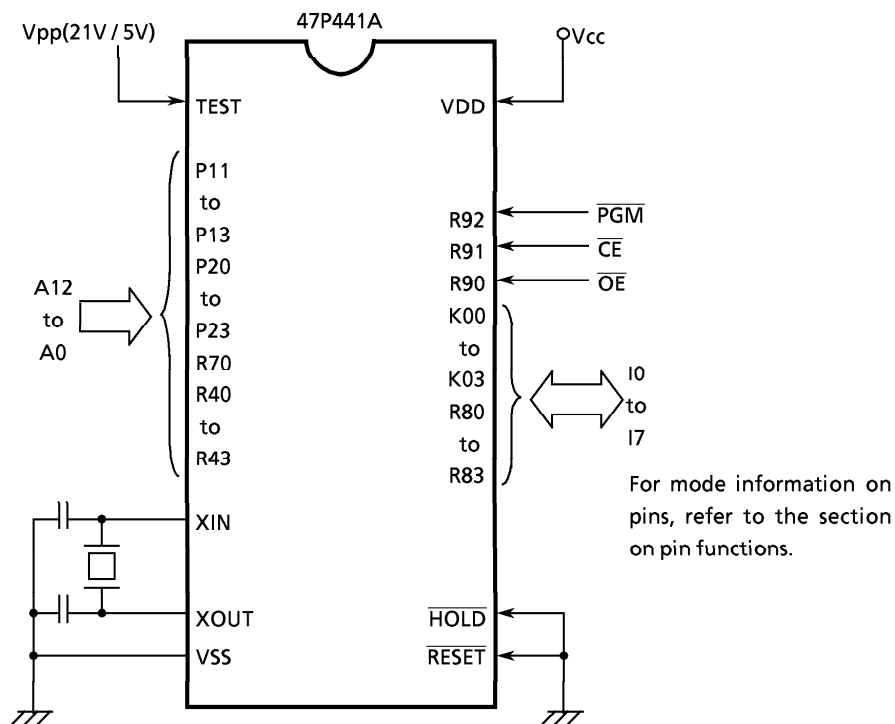


Figure 1-3. Setting for PROM mode

When writing a program, set a ROM type to 2764 (programming voltage : 21V). Since the 47P441A has 4096 x 8 bit internal PROM (000 to FFF<sub>H</sub>), set a stop address of a PROM writer to "FFF<sub>H</sub>", or store the same data or "FF<sub>H</sub>" to the latter half addresses 1000 to 1FFF<sub>H</sub>.

### 1.2.1 High Speed Programming Mode

The device is set up in the high speed programming mode when the programming voltage (21.0V) is applied to the Vpp pin with Vcc = 6V and PGM = VIH4. The programming is achieved by applying a single TTL low level 1 msec, pulse the PGM input after addresses and data are stable. Then the programmed data is verified by using Program Verify mode. If the programmed data is not correct, another program pulse of 1 msec is applied and then programmed data is verified. This should be repeated until the program operates correctly (max. 25 times) After correctly programming the selected address, one additional program pulse with pulse width 3 times that needed for programming is applied. When programming has been completed, the data in all addresses should be verified with Vcc = Vpp = 5V.

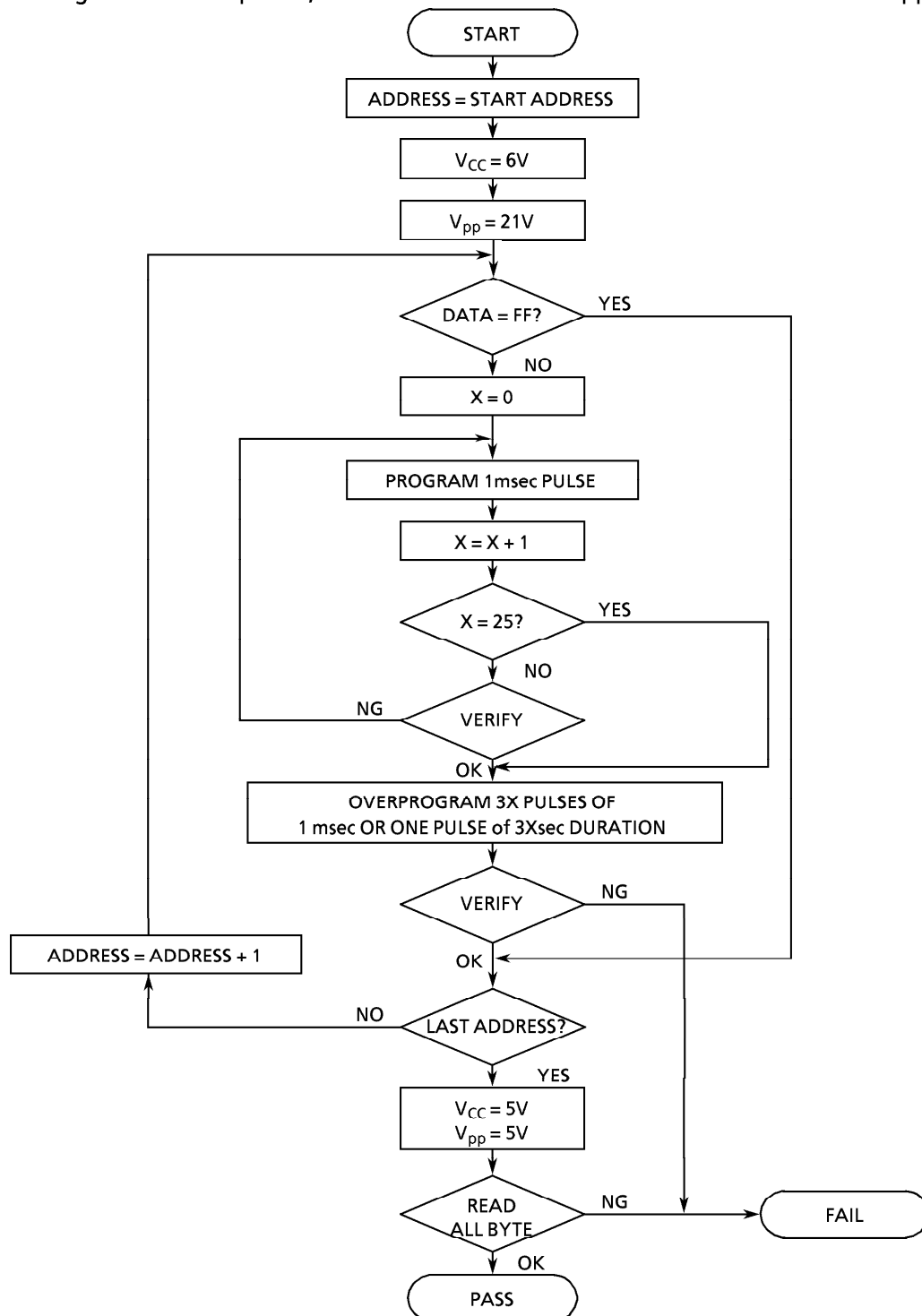


Figure1-4. FLOW CHART

## ELECTRICAL CHARACTERISTICS

## ABSOLUTE MAXIMUM RATINGS

 $(V_{SS} = 0V)$ 

PARAMETER	SYMBOL	PINS	RATING	UNIT
Supply Voltage	$V_{DD}$		- 0.3 to 7	V
Programming Voltage	$V_{PP}$	TEST / VPP pin	- 0.3 to 22.0	V
Input Voltage	$V_{IN}$		- 0.3 to $V_{DD} + 0.3$	V
Output Voltage	$V_{OUT1}$	Except open drain pin	- 0.3 to $V_{DD} + 0.3$	V
	$V_{OUT2}$	Ports R7, R8, R9	- 0.3 to 10	
	$V_{OUT3}$	Analog input pin	- 0.3 to $V_{DD} + 0.3$	
	$V_{OUT4}$	Source open drain pin	- 35 to $V_{DD} + 0.3$	
Output Current (Per 1 pin)	$I_{OUT1}$	Ports P1, P2	- 10	mA
	$I_{OUT2}$	Ports P5, P6	- 25	
	$I_{OUT3}$	Ports R4 (Analog inputs) and R8	3.2	
Output Current (Total)	$\Sigma I_{OUT2}$	Ports P5, P6	- 100	mA
Power Dissipation [ $T_{opr} = 70^{\circ}C$ ]	PD		600	mW
Soldering Temperature (time)	$T_{sld}$		260 (10s)	$^{\circ}C$
Storage Temperature	$T_{stg}$		- 55 to 125	$^{\circ}C$
Operating Temperature	$T_{opr}$		- 30 to 70	$^{\circ}C$

## RECOMMENDED OPERATING CONDITIONS

 $(V_{SS} = 0V, T_{opr} = - 30 \text{ to } 70^{\circ}C)$ 

PARAMETER	SYMBOL	PINS	CONDITIONS	Min.	Max.	UNIT
Supply Voltage	$V_{DD}$		In the Normal mode	4.5	6.0	V
			In the HOLD mode	2.0		
Input High Voltage	$V_{IH1}$	Except Hysteresis Input	$V_{DD} \geq 4.5V$	$V_{DD} \times 0.7$	$V_{DD}$	V
	$V_{IH2}$	Hysteresis Input		$V_{DD} \times 0.75$		
	$V_{IH3}$		$V_{DD} < 4.5V$	$V_{DD} \times 0.9$		
Input Low Voltage	$V_{IL1}$	Except Hysteresis Input	$V_{DD} \geq 4.5V$	0	$V_{DD} \times 0.3$	V
	$V_{IL2}$	Hysteresis Input			$V_{DD} \times 0.25$	
	$V_{IL3}$		$V_{DD} < 4.5V$		$V_{DD} \times 0.1$	
Clock Frequency	fc			0.4	4.2	MHz

Note. Input voltage  $V_{IH3}, V_{IL3}$  : in the HOLD mode

## D.C. CHARACTERISTICS

 $(V_{SS} = 0V, T_{opr} = -30 \text{ to } 70 \text{ } ^\circ\text{C})$ 

PARAMETER	SYMBOL	PINS	CONDITIONS	Min.	Typ.	Max.	UNIT
Hysteresis Voltage	$V_{HS}$	Hysteresis Input		—	0.7	—	V
Input Current	$I_{IN1}$	Port K0, TEST, $\overline{\text{RESET}}$ , $\overline{\text{HOLD}}$	$V_{DD} = 5.5V,$ $V_{IN} = 5.5V / 0V$	—	—	$\pm 2$	$\mu\text{A}$
	$I_{IN2}$	Ports R (open drain)					
Input Resistance	$R_{IN1}$	Port K0 with pull-up/pull-down		30	70	150	$k\Omega$
	$R_{IN2}$	$\overline{\text{RESET}}$		100	220	450	
Output Leakage Current	$I_{LO1}$	Ports R (Sink open drain)	$V_{DD} = 5.5V, V_{OUT} = 5.5V$	—	—	2	$\mu\text{A}$
	$I_{LO2}$	Ports P (Source open drain)	$V_{DD} = 5.5V, V_{OUT} = -32V$	—	—	-2	
Output High Voltage	$V_{OH1}$	Ports P1, P2	$V_{DD} = 4.5V, I_{OH} = -4 \text{ mA}$	2.4	—	—	V
Output Low Voltage	$V_{OL2}$	Except XOUT, ports P	$V_{DD} = 4.5V, I_{OL} = 1.6 \text{ mA}$	—	—	0.4	V
High output Current	$I_{OH2}$	Ports P5, P6	$V_{DD} = 4.5V, V_{OH} = 2.4V$	—	-10	—	mA
Supply Current (in the Normal mode)	$I_{DD}$		$V_{DD} = 5.5V, f_c = 4 \text{ MHz}$	—	5	10	mA
Supply Current (in the HOLD mode)	$I_{DDH}$		$V_{DD} = 5.5V$	—	0.5	10	$\mu\text{A}$

Note 1. Typ. values show those at  $T_{opr} = 25 \text{ } ^\circ\text{C}, V_{DD} = 5V$ .

Note 2. Input Current  $I_{IN1}$ ; The current through resistor is not included, when the input resistor (pull-up/pull-down) is contained.

Note 3. Supply Current  $I_{DD}, I_{DDH}$ ;  $V_{IN} = 5.3V/0.2V$

The K0 port is open when the input resistor is contained. The voltage applied to the R port is within the valid range.

## A / D CONVERSION CHARACTERISTICS

 $(T_{opr} = -30 \text{ to } 70 \text{ } ^\circ\text{C})$ 

PARAMETER	SYMBOL	CONDITIONS	Min.	Typ.	Max.	UNIT	
Analog Reference Voltage	$V_{AREF}$		$V_{DD} - 1.5$	—	$V_{DD}$	V	
	$V_{ASS}$		$V_{SS}$	—	1.5		
Analog Reference Voltage Range	$\Delta V_{AREF}$	$V_{AREF} - V_{ASS}$	2.5	—	—	V	
Analog Input Voltage	$V_{AIN}$		$V_{ASS}$	—	$V_{AREF}$	V	
Analog Supply Current	$I_{REF}$		—	0.5	1.0	mA	
Nonlinearity Error		$V_{DD} = 5.0V, V_{SS} = 0.0V$	—	—	$\pm 1$	LSB	
Zero Point Error			—	—	$\pm 1$		
Full Scale Error			$V_{AREF} = 5.000V$	—	—		$\pm 1$
Total Error			$V_{ASS} = 0.000V$	—	—		$\pm 2$

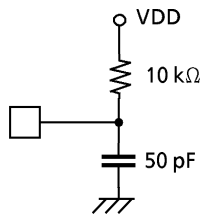
**A. C. CHARACTERISTICS**

( $V_{SS} = 0V$ ,  $V_{DD} = 4.5$  to  $6.0V$ ,  $T_{opr} = -30$  to  $70\text{ }^{\circ}C$ )

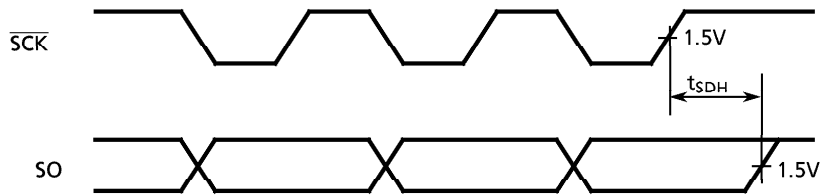
PARAMETER	SYMBOL	CONDITIONS	Min.	Typ.	Max.	UNIT
Instruction Cycle Time	$t_{cy}$		1.9	—	20	$\mu s$
High level Clock pulse Width	$t_{WCH}$	External clock mode	80	—	—	ns
Low level Clock pulse Width	$t_{WCL}$					
A/D Sampling Time	$t_{AIN}$	$f_c = 4\text{ MHz}$	—	4	—	$\mu s$
Shift Data Hold Time	$t_{SDH}$		$0.5 t_{cy} - 300$	—	—	ns

Note. Shift Data Hold Time

External circuit for  $\overline{SCK}$  pin and SO pin



Serial port (completion of transmission)



**RECOMMENDED OSCILLATING CONDITIONS**

( $V_{SS} = 0V$ ,  $V_{DD} = 4.5$  to  $6.0V$ ,  $T_{opr} = -30$  to  $70\text{ }^{\circ}C$ )

Recommended oscillating conditions of the 47P441A are equal to the 47C441A's.

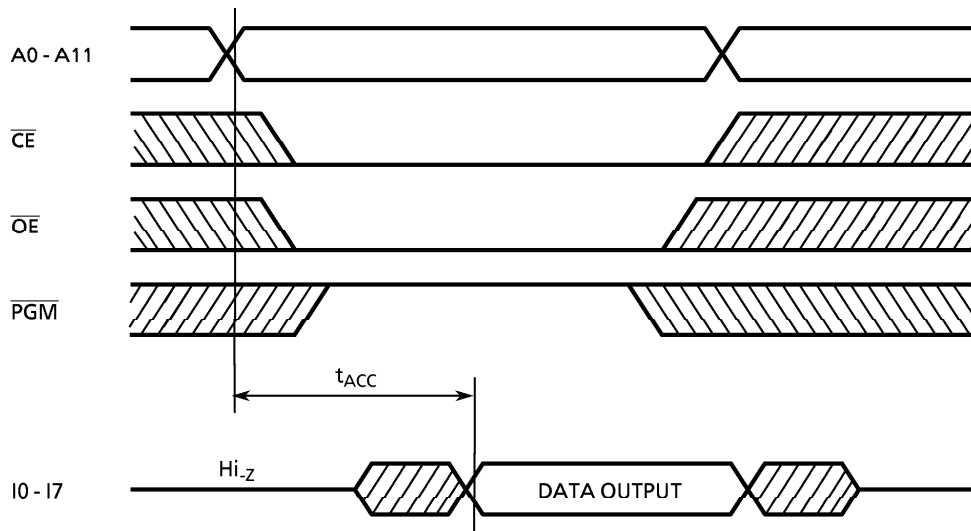
**DC/AC CHARACTERISTICS**

( $V_{SS} = 0V$ )

(1) Read Operation

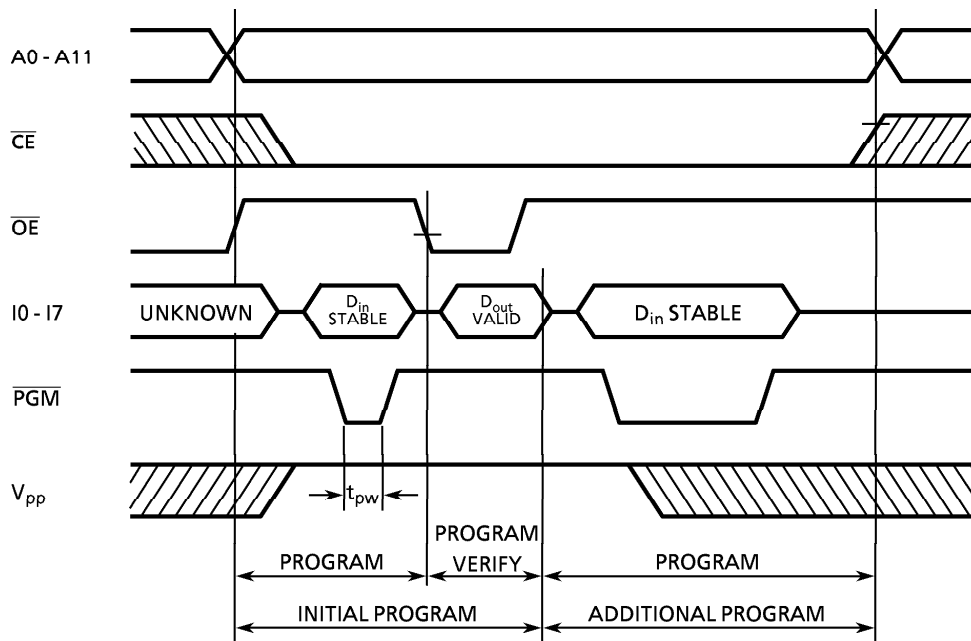
PARAMETER	SYMBOL	CONDITION	Min.	Typ.	Max.	UNIT
Output Level High Voltage	$V_{IH4}$		$V_{CC} \times 0.8$	—	$V_{CC}$	V
Output Level Low Voltage	$V_{IL4}$		0	—	$V_{CC} \times 0.1$	V
Supply Voltage	$V_{CC}$		4.75	—	6.0	V
Programming Voltage	$V_{PP}$					
Address Access Time	$t_{ACC}$	$V_{CC} = 5.0 \pm 0.25V$	—	—	350	ns





(2) High Speed Programming Operation

PARAMETER	SYMBOL	CONDITION	Min.	Typ.	Max.	UNIT
Input High Voltage	$V_{IH4}$		$V_{CC} \times 0.8$	-	$V_{CC}$	V
Input Low Voltage	$V_{IL4}$		0	-	$V_{CC} \times 0.1$	V
Supply Voltage	$V_{CC}$		4.75	-	6.0	V
$V_{PP}$ Power Supply Voltage	$V_{PP}$		20.5	21.0	21.5	V
Programming Pulse Width	$t_{PW}$	$V_{CC} = 6.0 \pm 0.25V$	0.95	1.0	1.05	ms



※ Difference compared with the TMP47C441A  
 The 47P441A is different from the 47C441A with respect to the following spec points.

**ABSOLUTE MAXIMUM RATINGS** (V<sub>SS</sub> = 0V)

PARAMETER	SYMBOL	PINS		RATING	UNIT
		TMP47C441A	TMP47P441A		
Output Voltage	V <sub>OUT2</sub>	Ports P7, P8, R9	Ports R7, R9	- 0.3 to 10	V
	V <sub>OUT3</sub>	Analog inputs	Ports R4 (Analog inputs) and R8		

**D . C . CHARACTERISTICS** (V<sub>SS</sub> = 0V, Topr = - 30 to 70 °C)

PARAMETER	SYMBOL	CONDITIONS	TMP47C441A			TMP47P441A			UNIT
			Min.	Typ.	Max.	Min.	Typ.	Max.	
Supply Current	I <sub>DD</sub>	In the Normal mode	—	3	6	—	5	10	mA

*Note.* Be fixed low level at MCU mode because of TEST pin does not have pull-down resistor.  
 Input/output circuitry of I/O port as the same as the code TA of the 47C441A.

**TYPICAL CHARACTERISTICS**

