

CMOS 4-Bit Microcontroller

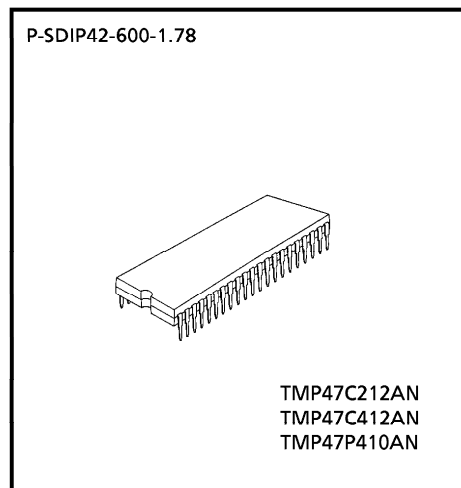
TMP47C212AN, TMP47C412AN

The TMP47C212A/412A are the high speed and high performance 4-bit single chip microcomputer with high breakdown voltage outputs of driving Vacuum Fluorescent Tube (VFT) directly which have pull-down resistors based on the TLCS-47 series.

Part No.	ROM	RAM	Package	OTP
TMP47C212AN	2048 × 8-bit	128 × 4-bit	P-SDIP42-600-1.78	TMP47P410AN
TMP47C412AN	4096 × 8-bit	256 × 4-bit		

Features

- ◆ 4-bit single chip microcomputer
- ◆ Instruction execution time: 1.9 μ s (at 4.2 MHz)
- ◆ 90 basic instructions
 - Table look-up instructions
 - 5-bit to 8-bit data conversion instruction
- ◆ Subroutine nesting: 15 levels max.
- ◆ 6 interrupt sources (External: 2, Internal: 4)
 - All sources have independent latches each, and multiple interrupt control is available.
- ◆ I/O port (35 pins)
 - Input 2 ports 5 pins
 - Output 5 ports 20 pins
 - I/O 3 ports 10 pins
- ◆ Interval Timer
- ◆ Two 12-bit Timer / Counters
 - Timer, event counter, and pulse width measurement mode
- ◆ Serial Interface with 4-bit buffer
 - External / internal clock, and leading/trailing edge shift mode
- ◆ High breakdown voltage outputs with pull-down resistor
 - VFT direct drive capability (max. 42 V × 20 bits)
- ◆ Hold function
 - Battery / Capacitor back-up
- ◆ Real Time Emulator: BM4721A

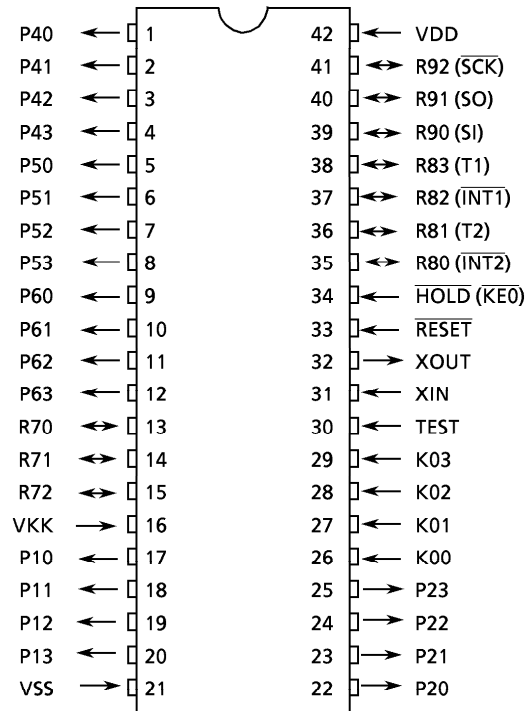


000707EBA1

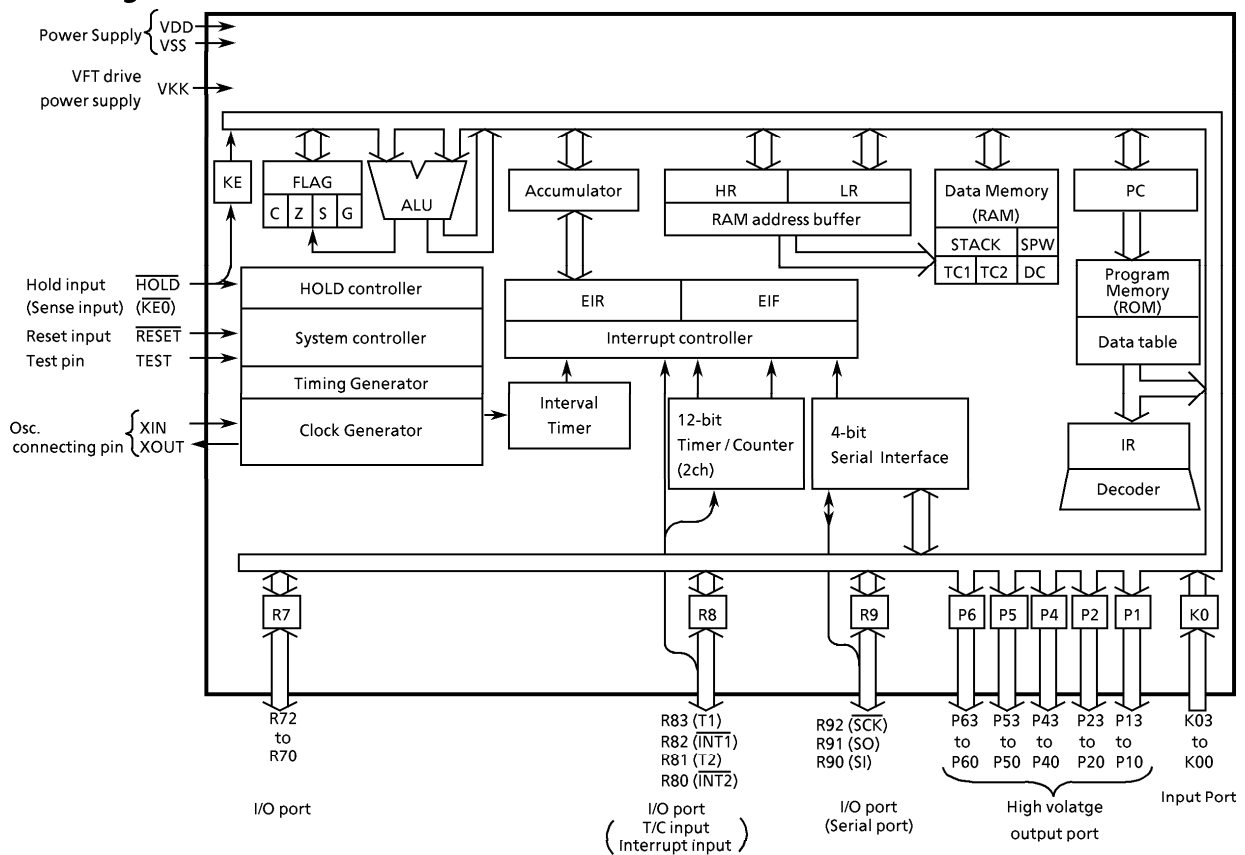
- For a discussion of how the reliability of microcontrollers can be predicted, please refer to Section 1.3 of the chapter entitled Quality and Reliability Assurance / Handling Precautions.
- TOSHIBA is continually working to improve the quality and reliability of its products. Nevertheless, semiconductor devices in general can malfunction or fail due to their inherent electrical sensitivity and vulnerability to physical stress. It is the responsibility of the buyer, when utilizing TOSHIBA products, to comply with the standards of safety in making a safe design for the entire system, and to avoid situations in which a malfunction or failure of such TOSHIBA products could cause loss of human life, bodily injury or damage to property. In developing your designs, please ensure that TOSHIBA products are used within specified operating ranges as set forth in the most recent TOSHIBA products specifications. Also, please keep in mind the precautions and conditions set forth in the "Handling Guide for Semiconductor Devices," or "TOSHIBA Semiconductor Reliability Handbook" etc..
- The TOSHIBA products listed in this document are intended for usage in general electronics applications (computer, personal equipment, office equipment, measuring equipment, industrial robotics, domestic appliances, etc.). These TOSHIBA products are neither intended nor warranted for usage in equipment that requires extraordinarily high quality and/or reliability or a malfunction or failure of which may cause loss of human life or bodily injury ("Unintended Usage"). Unintended Usage include atomic energy control instruments, airplane or spaceship instruments, transportation instruments, traffic signal instruments, combustion control instruments, medical instruments, all types of safety devices, etc.. Unintended Usage of TOSHIBA products listed in this document shall be made at the customer's own risk.
- The products described in this document are subject to the foreign exchange and foreign trade laws.
- The information contained herein is presented only as a guide for the applications of our products. No responsibility is assumed by TOSHIBA CORPORATION for any infringements of intellectual property or other rights of the third parties which may result from its use. No license is granted by implication or otherwise under any intellectual property or other rights of TOSHIBA CORPORATION or others.
- The information contained herein is subject to change without notice.

Pin Assignment (Top View)

P-SDIP42-600-1.78



Block Diagram



Pin Function

Pin Name	Input / Output	Functions	
K03 to K00	Input	4-bit input port	
P13 to P10	Output	4-bit output port with latch (High breakdown output) .	
P23 to P20		8-bit data are output by the 5-bit to 8-bit data conversion instruction [OUTB @HL].	
P43 to P40	Output	4-bit output port with latch (High breakdown voltage output)	
P53 to P50			
P63 to P60			
R72 to R70	I/O	3-bit I/O port with latch. When used as input port, the latch must be set to "1".	
R83 (T1)	I/O (Input)	4-bit I/O port with latch.	Timer / Counter 1 external input
R82 (INT1)		When used as input port, external interrupt input pin, or Timer / Counter external input pin, the latch must be set to "1".	External interrupt 1 input
R81 (T2)			Timer / Counter 2 external input
R80 (INT2)			External interrupt 2 input
R92 (\overline{SCK})	I/O (I/O)		3-bit I/O port with latch.
R91 (SO)	I/O (Output)	when used as input port or serial port, the latch must be set to "1".	Serial data output
R90 (SI)	I/O (Input)		Serial data input
XIN	Input	Resonator connecting pins.	
XOUT	Output	For inputting external clock, XIN is used and XOUT is opened.	
\overline{RESET}	Input	Reset signal input	
\overline{HOLD} (KE0)	Input (Input)	Hold request / release signal input	Sense input
TEST	Input	Test pin for out-going test. Be opened or fixed to low level.	
VDD	Power Supply	+ 5 V	
VSS		0 V (GND)	
VKK		VFT drive power supply	

Operational Description

The TMP47C212A/412A have high breakdown voltage output ports with pull-down resistor which are changed from the TMP47C200B/400B. The hardware configuration and operation are similar to the TMP47C200B/400B, except high breakdown voltage output ports with pull-down resistors, so refer to the technical data sheets for the TMP47C200B/400B.

The TMP47C212A/412A can not use the TMP47P410A as the OTP type without the external pull-down resistors. The technical data sheets for the TMP47P410A shall also be referred to.

1. I/O Ports

The TMP47C212A/412A have 10 I/O ports (35 pin) each as follows.

- ① K0 ; 4-bit input
- ② P1, P2 ; 4-bit output (High Breakdown voltage output)
- ③ P4, P5, P6 ; 4-bit output (High Breakdown voltage output)
- ④ R7 ; 3-bit input/output
- ⑤ R8 ; 4-bit input/output (shared by external interrupt input and Timer/Counter input)
- ⑥ R9 ; 3-bit input/output (shared by hold request/release signal input)
- ⑦ KE ; 1-bit sense input (shared by hold request/release signal input)

This section describes ports of ②, ③, ④ which are changed from the TMP47C200B/400B.

Table 1-1 lists the port address assignments and the I/O instructions that can access the ports.

The TMP47P410A can be used as OTP type but it is necessary to set the pull-down resistor externally.

Therefore the technical data sheets for the TMP47P410A.

(1) Ports P1/P2 and Ports P4/P5/P6

These are 4-bit, with latch, high breakdown voltage output ports capable of directly driving Vacuum Fluorescent Tube (VFT). Latch data are read an input instruction is executed. During reset, the latch is initialized to "0".

Pull-down resistor is connected to the 20 pins of the five ports P1, P2, P4, P5 and P6 in a P-channel open drain configuration.

Each pin is connected to the VKK pin through pull-down resistor (80 k Ω) ; consequently, VFT can be driven by applying a minus voltage (35 V max) to the VKK pin without connecting external resistor.

8-bit data can be output through ports P1 and P2 by using the 5-bit to 8-bit data conversion instruction ; therefore, these ports can also be effectively utilized as segment output pins.

Ports P4, P5 and P6 can be set and cleared in 1-bit units using the L-register indirect addressing bit manipulation instruction ; therefore, these ports can also be effectively utilized as digit output pins.

Figure 1-2 shows an example of driving a VFT 8-segment x 12-digit display.

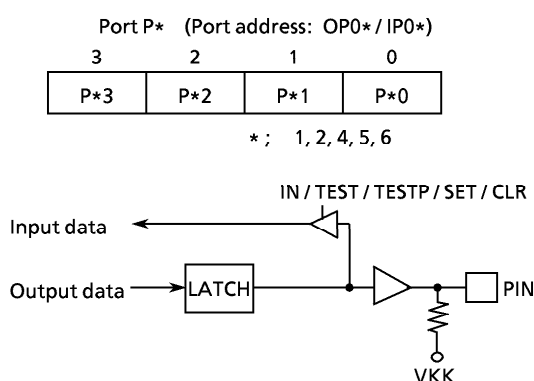


Figure 1-1. Ports P1, P2, P4, P5, P6

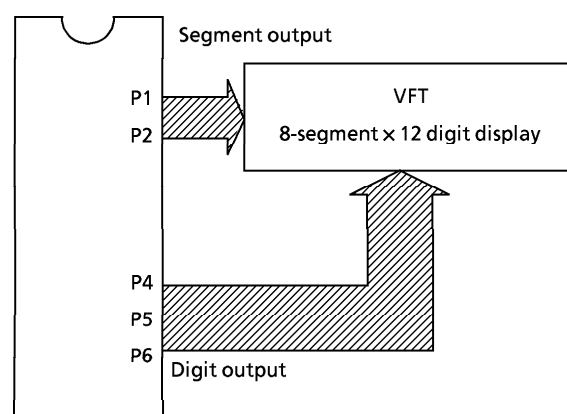


Figure 1-2. Example of driving a VFT

(2) Port R7

The 3-bit I/O port with latch, when used as an input, the latch must be set to "1". The latch is initialized to "1" during the reset. "1" is written to it when an input instruction is executed. They are the same as those of the TMP47C200B/400B, except pin R73 is included actually in Port R7.

Table 1-1. Port address assignments and available I/O instructions

Port address (**)	Port		Input/Output instructions											
	Input (IP**)	Output (OP**)	IN %p, A	IN %p, @HL	OUT A, %p	OUT #k, %p	OUTB @HL	SET %p, b	CLR %p, b	TEST %p, b	TESTP %p, b	SET @L	CLR @L	TEST @L
00H	k0 input port	—	○	○	—	—	—	—	—	—	—	—	—	—
01	P1 output latch	P1 output port	○	○	—	○	○ (Note2)	—	—	—	○	—	—	—
02	P2 output latch	P2 output port	○	○	—	○	○	—	—	—	○	—	—	—
03	—	—	○	○	—	○	○	—	—	—	○	—	—	—
04	P4 output latch	P4 output port	○	○	—	○	○	—	—	—	○	—	—	—
05	P5 output latch	P5 output port	○	○	—	○	○	—	—	—	○	—	—	—
06	P6 output latch	P6 output port	○	○	—	○	○	—	—	—	○	—	—	—
07	R7 input port	R7 input port	○	○	—	○	○	—	—	—	○	—	—	—
08	R8 input port	R8 output port	○	○	—	○	○	—	—	—	○	—	—	—
09	R9 input port	R9 output port	○	○	—	○	○	—	—	—	○	—	—	—
0A	—	—	—	—	—	—	—	—	—	—	—	—	—	—
0B	—	—	—	—	—	—	—	—	—	—	—	—	—	—
0C	—	—	—	—	—	—	—	—	—	—	—	—	—	—
0D	—	—	—	—	—	—	—	—	—	—	—	—	—	—
0E	SIO, Hold status	—	○	○	—	—	—	—	—	—	—	—	—	—
0F	Serial receive buffer	Serial transmit buffer	○	○	—	○	—	—	—	—	—	—	—	—
10H	Undefined	Serial receive buffer	—	—	—	—	—	—	—	—	—	—	—	—
11	Undefined	Hold operating mode control	—	—	—	—	—	—	—	—	—	—	—	—
12	Undefined	—	—	—	—	—	—	—	—	—	—	—	—	—
13	Undefined	—	—	—	—	—	—	—	—	—	—	—	—	—
14	Undefined	—	—	—	—	—	—	—	—	—	—	—	—	—
15	Undefined	—	—	—	—	—	—	—	—	—	—	—	—	—
16	Undefined	—	—	—	—	—	—	—	—	—	—	—	—	—
17	Undefined	—	—	—	—	—	—	—	—	—	—	—	—	—
18	Undefined	—	—	—	—	—	—	—	—	—	—	—	—	—
19	Undefined	Interval Timer interrupt control	—	—	—	—	—	—	—	—	—	—	—	—
1A	Undefined	—	—	—	—	—	—	—	—	—	—	—	—	—
1B	Undefined	—	—	—	—	—	—	—	—	—	—	—	—	—
1C	Undefined	Timer/Counter 1 control	—	—	—	—	—	—	—	—	—	—	—	—
1D	Undefined	Timer/Counter 2 control	—	—	—	—	—	—	—	—	—	—	—	—
1E	Undefined	—	—	—	—	—	—	—	—	—	—	—	—	—
1F	Undefined	Serial interface control	—	—	—	—	—	—	—	—	—	—	—	—

Note 1: "—" means the reserved state. Unavailable for the user programs.

Note 2: The 5-bit to 8-bit data conversion instruction [OUTB @HL], automatic access to ports P1 and P2.

Port Condition by RESET Operation

The transition of Port condition by RESET operation is shown as below.

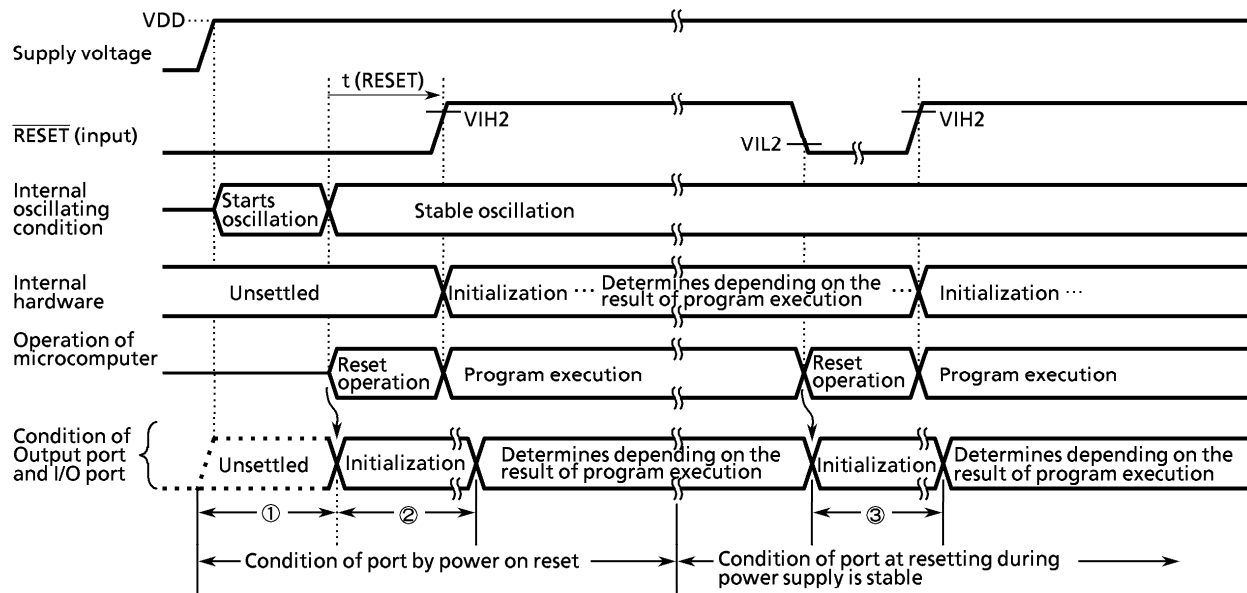


Figure 1-3. Port condition by reset operation

Note 1: $t(\text{RESET}) > 24/f_c$

Note 2: VIL2: Stands for low level input voltage of $\overline{\text{RESET}}$ pin.

VIH2: Stands for high level input voltage of $\overline{\text{RESET}}$ pin.

Note 3: The condition of each port is unstable until the reset operation is started (① in the above Figure). Thus, when using port as an output pin, in the term of ①, to prevent the malfunction of external application circuit, insert the circuit outside of microcomputer between the output pin of Port and input pin of external application circuit.

Note 4: The term starting from reset operation to the program which accesses port is executed (②, ③ in the above Figure), the condition of port becomes on the status of initialization by Reset operation. The initial condition of port differs from I/O circuit by each port, refer to the section of "INPUT/OUTPUT CIRCUITRY". Thus, when using Port as an output pin, in the term of the above ② and ③, the voltage level on the signal that connects with the output pin of Port to the input pin of external application circuit should be determined by the external circuitry such as pull-up resistor and/or pull-down resistor.

Input / Output Circuitry

(1) Control pins

The input/output circuitries of the TMP47C212A/412A control pins are similar to those of the TMP47C200B/400B.

(2) I/O ports

The input/output circuitries of the TMP47C212A/412A I/O ports are shown below, any one of the circuitries can be chosen by a code (NA, NB, NC) as a mask option.

Port	I/O	Input / Output Circuitry and Code			Remarks
		NA	NB	NC	
K0	Input				Pull-up/pull-down resistor $R_{IN} = 70 \text{ k}\Omega$ (typ.) $R = 1 \text{ k}\Omega$ (typ.)
P1 P2 P4 P5 P6	Output				Source open drain Initial "Hi-Z" High breakdown voltage Pull-down resistor $R_K = 80 \text{ k}\Omega$ (typ.)
R7	I/O				Sink open drain Initial "Hi-Z" $R = 1 \text{ k}\Omega$ (typ.)
R8 R9	I/O				Sink open drain Initial "Hi-Z" Hysteresis input $R = 1 \text{ k}\Omega$ (typ.)

Electrical Characteristics

Absolute Maximum Ratings (V_{SS} = 0 V)

Parameter	Symbol	Pins	Ratings	Unit
Supply Voltage	V _{DD}		- 0.5 to 7	V
Input Voltage	V _{IN}		- 0.5 to V _{DD} + 0.5	V
Output Voltage	V _{OUT1}	Except sink open drain pin	- 0.5 to V _{DD} + 0.5	V
	V _{OUT2}	Sink open drain pin	- 0.5 to 10	
	V _{OUT3}	Source open drain pin	- 35 to V _{DD} + 0.5	
Output Current (Per 1 pin)	I _{OUT1}	Ports P1, P2	- 2	mA
	I _{OUT2}	Ports P4, P5, P6	- 25	
	I _{OUT3}	Ports R7, R8, R9	3.5	
Output current (Total)	∑ I _{OUT}	Ports P4, P5, P6	- 100	mA
Power Dissipation [T _{opr} = 70°C]	PD		600	mW
Soldering Temperature (Time)	T _{sld}		260 (10 s)	°C
Storage Temperature	T _{stg}		- 55 to 125	°C
Operating Temperature	T _{opr}		- 30 to 70	°C

Note: The absolute maximum ratings are rated values which must not be exceeded during operation, even for an instant. Any one of the ratings must not be exceeded. If any absolute maximum rating is exceeded, a device may break down or its performance may be degraded, causing it to catch fire or explode resulting in injury to the user. Thus, when designing products which include this device, ensure that no absolute maximum rating value will ever be exceeded.

Recommended Operating Conditions (V_{SS} = 0 V, T_{opr} = - 30 to 70°C)

Parameter	Symbol	Pins	Conditions	Min	Max	Unit
Supply Voltage	V _{DD}		In the Normal mode	4.5	6.0	V
			In the HOLD mode	2.0		
Input High Voltage	V _{IH1}	Except Hysteresis Input	V _{DD} ≥ 4.5 V	V _{DD} × 0.7	V _{DD}	V
	V _{IH2}	Hysteresis Input		V _{DD} × 0.75		
	V _{IH3}		V _{DD} < 4.5 V	V _{DD} × 0.9		
Input Low Voltage	V _{IL1}	Except Hysteresis Input	V _{DD} ≥ 4.5 V	0	V _{DD} × 0.3	V
	V _{IL2}	Hysteresis Input			V _{DD} × 0.25	
	V _{IL3}		V _{DD} < 4.5 V		V _{DD} × 0.1	
Clock Frequency	f _c			0.4	4.2	MHz

Note 1: The recommended operating conditions for a device are operating conditions under which it can be guaranteed that the device will operate as specified. If the device is used under operating conditions other than the recommended operating conditions (supply voltage, operating temperature range, specified AC/DC values etc.), malfunction may occur. Thus, when designing products which include this device, ensure that the recommended operating conditions for the device are always adhered to.

Note 2: Input voltage V_{IH3}, V_{IL3}: In the SLOW or HOLD mode.

DC Characteristics

 $(V_{SS} = 0\text{ V}, V_{DD} = 4.5\text{ to }6.0\text{ V}, T_{opr} = -30\text{ to }70^{\circ}\text{C})$

Parameter	Symbol	Pins	Conditions	Min	Typ.	Max	Unit
Hysteresis Voltage	V_{HS}	Hysteresis Input		—	0.7	—	V
Input Current	I_{IN1}	Port K0, TEST, RESET, HOLD	$V_{DD} = 5.5\text{ V},$	—	—	± 2	μA
	I_{IN2}	Port R (open drain)	$V_{IN} = 5.5\text{ V} / 0\text{ V}$				
Input Resistance	R_{IN1}	Port K0 with pull-up/pull-down		30	70	150	k Ω
	R_{IN2}	$\overline{\text{RESET}}$		100	220	450	
Output Leakage Current	I_{LO1}	Port R (Sink open drain)	$V_{DD} = 5.5\text{ V}, V_{OUT} = 5.5\text{ V}$	—	—	2	μA
	I_{LO2}	Port P (Source open drain)	$V_{DD} = 5.5\text{ V}, V_{OUT} = -32\text{ V}$	—	—	-2	
Output High Voltage	V_{OH2}	Ports P1, P2	$V_{DD} = 4.5\text{ V}, I_{OH} = -1.6\text{ mA}$	2.4	—	—	V
	V_{OH3}	Ports P4, P5, P6	$V_{DD} = 4.5\text{ V}, I_{OH} = -10\text{ mA}$	2.4	—	—	
Output Low Current	V_{OL}	Ports R7, R8, R9	$V_{DD} = 4.5\text{ V}, I_{OL} = 1.6\text{ mA}$	—	—	0.4	V
Pull-Down Resistance	R_K	Source open drain	$V_{DD} = 5.5\text{ V}, V_{KK} = -30\text{ V}$	—	80	—	k Ω
Supply Current (in the Normal mode)	I_{DD}		$V_{DD} = 5.5\text{ V}, f_c = 4\text{ MHz}$	—	3	6	mA
Supply Current (in the HOLD mode)	I_{DDH}		$V_{DD} = 5.5\text{ V}$	—	0.5	10	μA

Note 1: Typ. values show those at $T_{opr} = 25^{\circ}\text{C}$, $V_{DD} = 5\text{ V}$.

Note 2: Input Current I_{IN1} : The current through resistor is not included, when the pull-up/pull-down resistor is contained.

Note 3: Supply Current: $V_{IN} = 5.3\text{ V} / 0.2\text{ V}$
 The K0 port is open when the pull-up / pull-down resistor is contained.
 The voltage applied to the R port is within the valid range V_{IL} or V_{IH} .

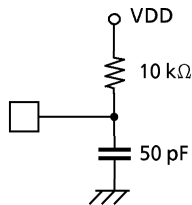
AC Characteristics

(V_{SS} = 0 V, V_{DD} = 4.5 to 6.0 V, Topr = -30 to 70°C)

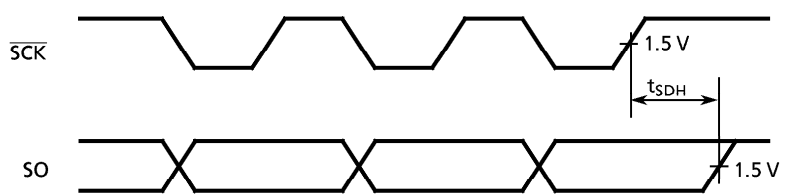
Parameter	Symbol	Conditions	Min	Typ.	Max	Unit
Instruction Cycle Time	t _{cy}		1.9	—	20	μs
High Level Clock Pulse Width	t _{WCH}	For external clock operation	80	—	—	ns
Low Level Clock Pulse Width	t _{WCL}					
Shift Data Hold Time	t _{SDH}		0.5 t _{cy} - 0.3	—	—	μs

Note: Shift data Hold Time:

External circuit for SCK pin and SO pin



Serial port (completion of transmission)



Recommended Oscillating Conditions

(V_{SS} = 0 V, V_{DD} = 4.5 to 6.0 V, Topr = -30 to 70°C)

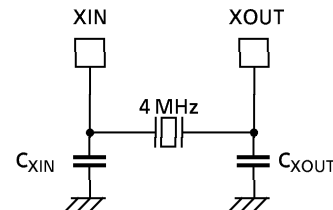
(1) 4 MHz

Ceramic Resonator

- CSA4.00MG (MURATA) C_{XIN} = C_{XOUT} = 30 pF
- KBR-4.00MS (KYOCERA) C_{XIN} = C_{XOUT} = 30 pF

Crystal Oscillator

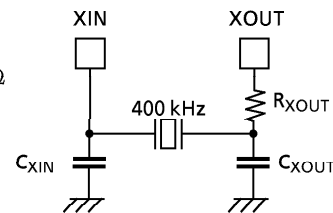
- 204B-6F 4.0000 (TOYOCOM) C_{XIN} = C_{XOUT} = 20 pF



(2) 400 kHz

Ceramic Resonator

- CSB400B (MURATA) C_{XIN} = C_{XOUT} = 220 pF, R_{XOUT} = 6.8 kΩ
- KBR-400B (KYOCERA) C_{XIN} = C_{XOUT} = 100 pF, R_{XOUT} = 10 kΩ



Typical Characteristics

