

LM74A

SPI/MICROWIRE™ 12-Bit Plus Sign Temperature Sensor (LM74 in Die Form)

General Description

The LM74A is a temperature sensor, Delta-Sigma analog-to-digital converter with an SPI and MICROWIRE compatible interface in die form. The host can query the LM74A at any time to read temperature. A shutdown mode decreases power consumption to less than 10 μ A. This mode is useful in systems where low average power consumption is critical.

This particular data sheet applies to the LM74 in die form. The LM74 is available in the SO-8 package as well as an 5-Bump micro SMD package please refer to LM74 data sheet for detailed specifications pertaining to the packaged parts.

The LM74A has 12-bit plus sign temperature resolution (0.0625°C per LSB) while operating over a temperature range of -40°C to +150°C. The LM74A-5 MDA accuracy of $\pm 3.5^\circ\text{C}$ is specified over a temperature range of 0°C to +150°C.

The LM74A's 4.5V to 5.5V or 3.0V to 3.6V supply voltage range, low supply current and simple SPI interface make it ideal for a wide range of applications. These include thermal management and protection applications in hard disk drives, printers, electronic test equipment, and office electronics.

Applications

- System Thermal Management
- Personal Computers
- Disk Drives
- Office Electronics
- Electronic Test Equipment

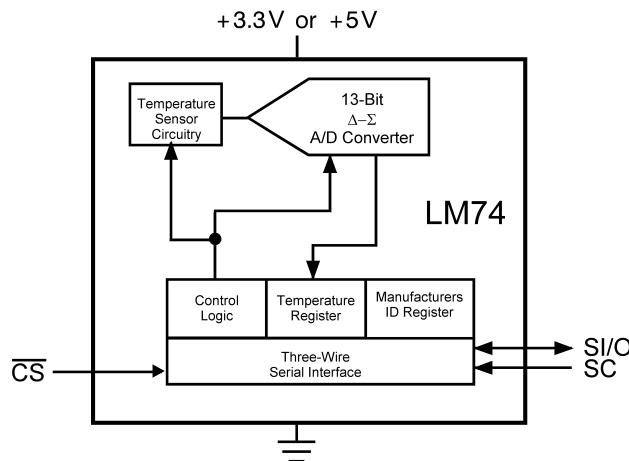
Features

- 0.0625°C temperature resolution.
- Shutdown mode conserves power between temperature reading
- SPI and MICROWIRE Bus interface
- LM74 is also available in a 5-Bump micro SMD and 8-pin MSOP

Key Specifications

■ Supply Voltage	LM74A-5	4.5V to 5.5V
	LM74A-3	3.0V to 3.6V
■ Supply Current	operating	310 μ A (typ) 520 μ A (max)
	shutdown	8 μ A (typ)
■ LM74A-5 MDA	0°C to 140°C	$\pm 3.0^\circ\text{C}$ (max)
	Temperature Accuracy	140°C to 150°C

Simplified Block Diagram

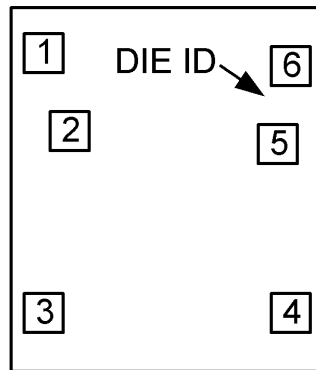


20017701

MICROWIRE™ is a trademark of National Semiconductor Corporation.
TRI-STATE® is a registered trademark of National Semiconductor Corporation.

Connection Diagram

LM74A
Bond Pad Layout



20017727

TOP VIEW
1.40mm x 1.57 mm (55 x 62 mils)

Bond Pad Mechanical Dimensions

Dimensions of bond pad coordinates are in millimeters.

Origin of coordinates: center of die.

X-Direction is in the longitudinal axis of the die.

Coordinates refer to center of Bond Pad.

Pin#	X	Y
1	-0.569 mm	+0.585 mm
2	-0.537 mm	+0.314 mm
3	-0.569 mm	-0.554 mm
4	n/a	n/a
5	+0.537 mm	+0.277 mm
6	+0.569 mm	+0.569 mm
Back		

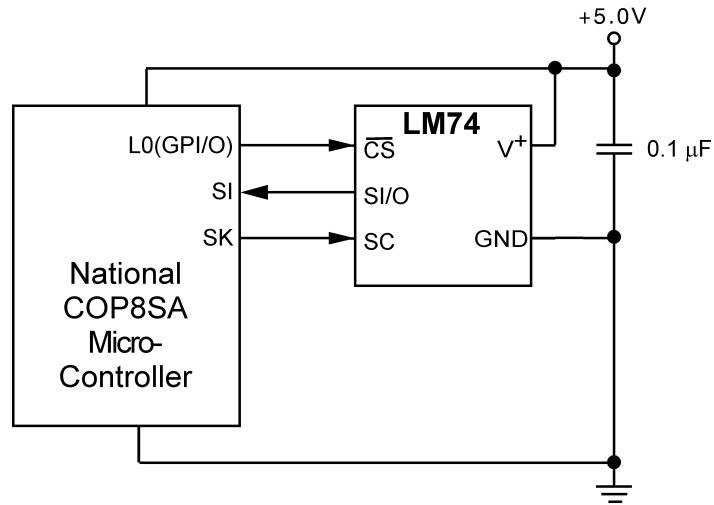
Ordering Information

Order Number	NS Package Number	Supply Voltage	Transport Media
LM74A-5 MDA	No Package, Die	4.5V to 5.5V	7k unit surftape tape-and-reel
LM74A-3 MDA	No Package, Die	3.0V to 3.6V	7k unit surftape tape-and-reel

Pin Descriptions

Label	Pin #	Function	Typical Connection
SI/O	1	Slave Input/Output - Serial bus bi-directional data line. Shmitt trigger input.	From and to Controller
SC	2	Slave Clock - Serial bus clock Shmitt trigger input line.	From Controller
GND	3	Power Supply Ground	Ground
NC	4	No Connection	No Connection
$\overline{\text{CS}}$	5	Chip Select input.	From Controller
V ⁺	6	Positive Supply Voltage Input	DC Voltage from 4.5V to 5.5V for the LM74A-5 and 3.0V to 3.6V for the LM74A-3. Bypass with a 0.1 μF ceramic capacitor.
Back	(Backside)		Can go to GND connection

Typical Application



20017703

FIGURE 1. COP Microcontroller Interface

Absolute Maximum Ratings (Note 1)

Supply Voltage	-0.3V to 6.0V
Voltage at any Pin	-0.3V to V ⁺ + 0.3V
Input Current at any Pin (Note 2)	5 mA
Package Input Current (Note 2)	20 mA
Storage Temperature	-65°C to +150°C
ESD Susceptibility (Note 3)	
Human Body Mode	2000V
Machine Model	200V

Operating Ratings

Operating Temperature Range	-40°C to +150°C
Specified Temperature Range	T _{MIN} to T _{MAX}
(Note 4)	
LM74A	-40°C to +150°C
Supply Voltage Range (+V _S)	
LM74-5 MDA	+4.5V to +5.5V
LM74-3 MDA	+3.0V to +3.6V

Temperature-to-Digital Converter Characteristics

Unless otherwise noted, these specifications apply for V⁺ = 4.5V to 5.5V for the LM74-5 MDA and V⁺ = 3.0V to 3.6V for the LM74-3 MDA.(Note 5). **Boldface limits apply for T_A = T_J = T_{MIN} to T_{MAX}**; all other limits T_A = T_J=+25°C, unless otherwise noted.

Parameter	Conditions	Typical (Note 6)	LM74-5 MDA Limits (Note 7)	LM74-3 MDA Limits (Note 7)	Units (Limit)
Temperature Error (Note 5)	T _A = 0°C to +140°C		±3.0		°C (max)
	T _A = +140°C to +150°C		±3.5		°C (max)
	T _A = -40°C to +150°C			±5	°C (max)
Resolution		13			Bits
Temperature Conversion Time	(Note 8)	280	425		ms (max)
Quiescent Current	Serial Bus Inactive	310	520		µA (max)
	Serial Bus Active	310			µA
	Shutdown Mode, V ⁺ = 5V	8			µA

Logic Electrical Characteristics

DIGITAL DC CHARACTERISTICS Unless otherwise noted, these specifications apply for V⁺ = 4.5V to 5.5V for the LM74-5 MDA and V⁺ = 3.0V to 3.6V for the LM74-3 MDA.(Note 5). **Boldface limits apply for T_A = T_J = T_{MIN} to T_{MAX}**; all other limits T_A = T_J=+25°C, unless otherwise noted.

Symbol	Parameter	Conditions	Typical (Note 6)	Limits (Note 7)	Units (Limit)
V _{IN(1)}	Logical "1" Input Voltage			V⁺ x 0.7 V⁺ + 0.3	V (min) V (max)
V _{IN(0)}	Logical "0" Input Voltage			-0.3 V⁺ x 0.3	V (min) V (max)
	Input Hysteresis Voltage	V ⁺ = 4.5V to 5.5V	0.8	0.33	V (min)
I _{IN(1)}	Logical "1" Input Current	V _{IN} = V ⁺	0.005	3.0	µA (max)
I _{IN(0)}	Logical "0" Input Current	V _{IN} = 0V	-0.005	-3.0	µA (min)
C _{IN}	All Digital Inputs		20		pF
V _{OH}	High Level Output Voltage	I _{OH} = -400 µA		V⁺ x 0.7	V (min)
V _{OL}	Low Level Output Voltage	I _{OL} = +2 mA		0.4	V (max)
I _{O_TRI-STATE}	TRI-STATE Output Leakage Current	V _O = GND V _O = V ⁺		-1 +1	µA (min) µA (max)

Serial Bus Digital Switching Characteristics

Unless otherwise noted, these specifications apply for $V^+ = 4.5V$ to $5.5V$ for the LM74-5 MDA and $V^+ = 3.0V$ to $3.6V$ for the LM74-3 MDA. (Note 5). **Boldface limits apply for $T_A = T_J = T_{MIN}$ to T_{MAX}** ; all other limits $T_A = T_J = +25^\circ C$, unless otherwise noted.

Symbol	Parameter	Conditions	Typical (Note 6)	Limits (Note 7)	Units (Limit)
t_1	SC (Clock) Period			0.16 DC	μs (min) (max)
t_2	\overline{CS} Low to SC (Clock) High Set-Up Time			100	ns (min)
t_3	\overline{CS} Low to Data Out (SO) Delay			70	ns (max)
t_4	SC (Clock) Low to Data Out (SO) Delay			100	ns (max)
t_5	\overline{CS} High to Data Out (SO) TRI-STATE			200	ns (max)
t_6	SC (Clock) High to Data In (SI) Hold Time			50	ns (min)
t_7	Data In (SI) Set-Up Time to SC (Clock) High			30	ns (min)

Note 1: Absolute Maximum Ratings indicate limits beyond which damage to the device may occur. DC and AC electrical specifications do not apply when operating the device beyond its rated operating conditions.

Note 2: When the input voltage (V_I) at any pin exceeds the power supplies ($V_I < GND$ or $V_I > +V_S$) the current at that pin should be limited to 5 mA. The 20 mA maximum package input current rating limits the number of pins that can safely exceed the power supplies with an input current of 5 mA to four.

Note 3: Human body model, 100 pF discharged through a 1.5 k Ω resistor. Machine model, 200 pF discharged directly into each pin.

Note 4: The life expectancy of the LM74A will be reduced when operating at elevated temperatures.

Note 5: All LM74A parts will function over the V^+ supply voltage range of 3V to 5.5V. The LM74A temperature error specifications for temperature ranges of $0^\circ C$ to $+140^\circ C$, $0^\circ C$ to $+150^\circ C$ and $-40^\circ C$ to $+150^\circ C$ include error induced by power supply variation of $\pm 10\%$ from the nominal value of 5V or 3.3V.

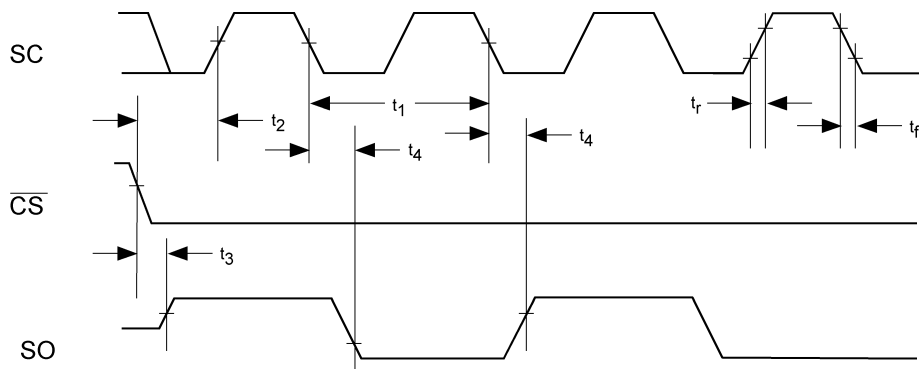
Note 6: Typical values are at $T_A = 25^\circ C$ and represent most likely parametric norm.

Note 7: Limits are guaranteed to National's AOQL (Average Outgoing Quality Level).

Note 8: This specification is provided only to indicate how often temperature data is updated. The LM74A can be read at any time without regard to conversion state (and will yield last conversion result). A conversion in progress will not be interrupted. The output shift register will be updated at the completion of the read and a new conversion restarted.

Note 9: For best accuracy, minimize output loading. Higher sink currents can affect sensor accuracy with internal heating. This can cause an error of $0.64^\circ C$ at full rated sink current and saturation voltage based on junction-to-ambient thermal resistance.

Timing Diagrams



20017704

FIGURE 2. Data Output Timing Diagram

Timing Diagrams (Continued)

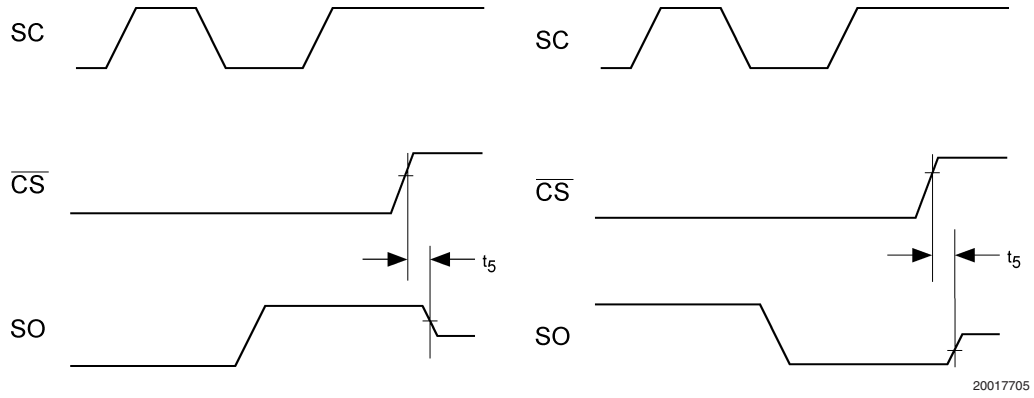


FIGURE 3. TRI-STATE Data Output Timing Diagram

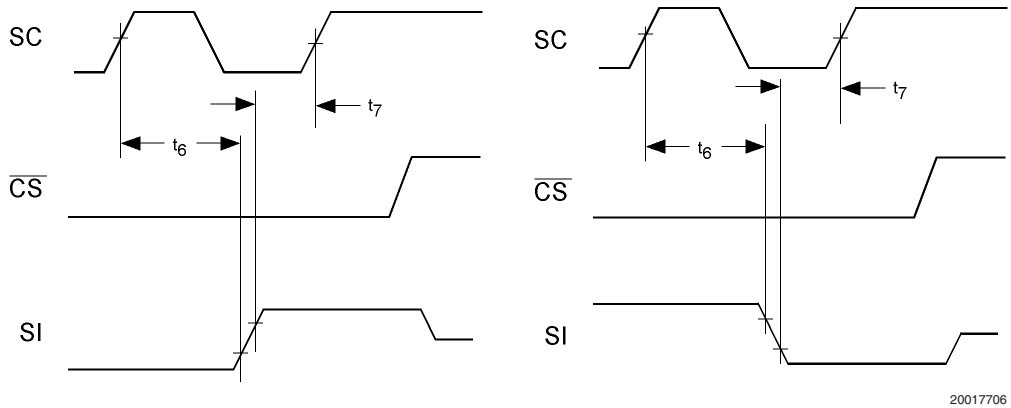
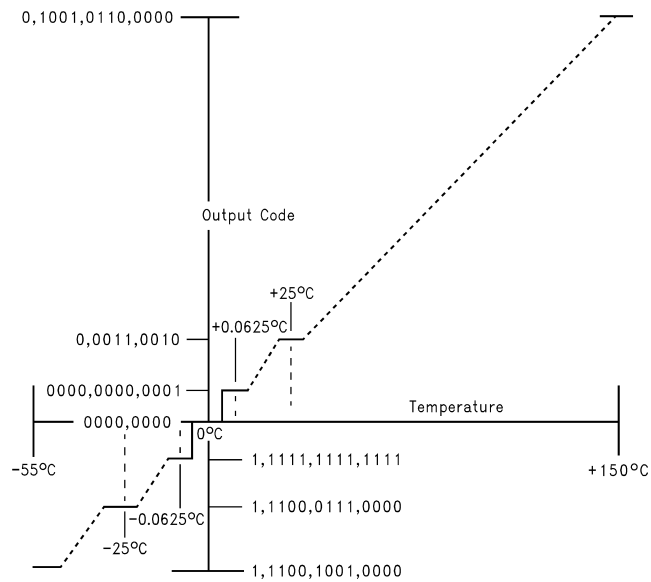


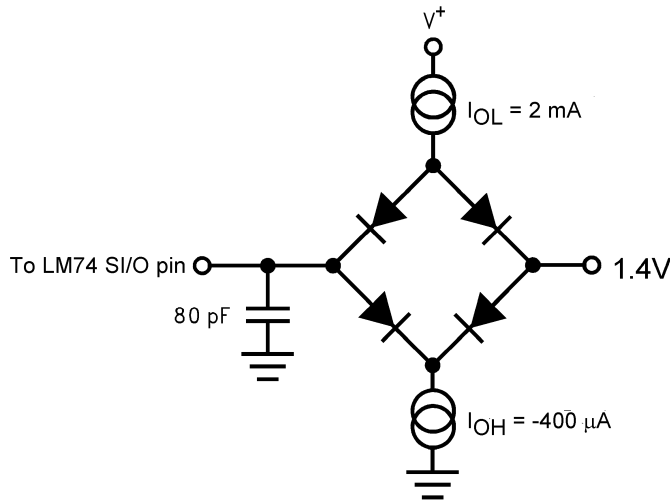
FIGURE 4. Data Input Timing Diagram



Temperature-to-Digital Transfer Function (Non-linear scale for clarity)

FIGURE 5.

TRI-STATE Test Circuit

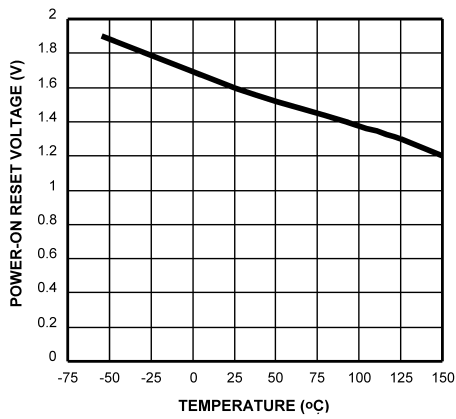


20017707

FIGURE 6.

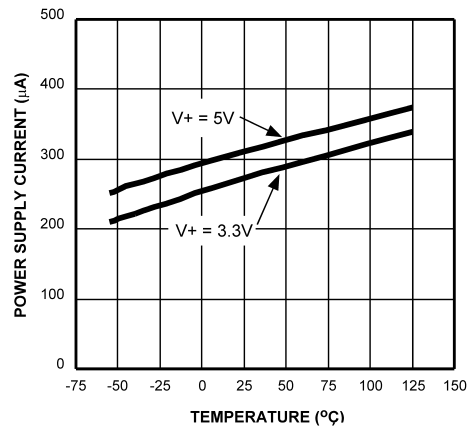
Typical Performance Characteristics

Average Power-On Reset Voltage vs Temperature



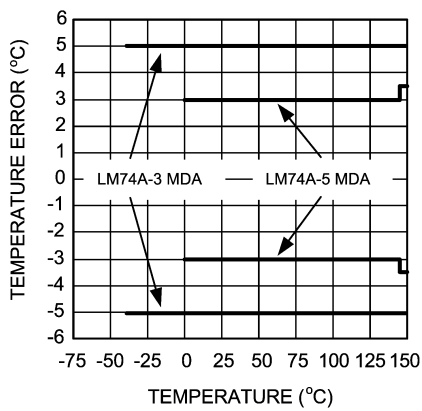
20017723

Static Supply Current vs Temperature



20017721

Temperature Error



20017726

1.0 Functional Description

The LM74A temperature sensor incorporates a band-gap type temperature sensor and 12-bit plus sign $\Delta\Sigma$ ADC (Delta-Sigma Analog-to-Digital Converter). Compatibility of the LM74A's three wire serial interface with SPI and MICROWIRE allows simple communications with common microcontrollers and processors. Shutdown mode can be used to optimize current drain for different applications. A Manufacturer's/Device ID register identifies the LM74A as National Semiconductor product.

1.1 POWER UP AND POWER DOWN

The LM74A always powers up in a known state. The power up default condition is continuous conversion mode. Immediately after power up the LM74A will output an erroneous code until the first temperature conversion has completed.

When the supply voltage is less than about 1.6V (typical), the LM74A is considered powered down. As the supply voltage rises above the nominal 1.6V power up threshold, the internal registers are reset to the power up default state described above.

1.2 SERIAL BUS INTERFACE

The LM74A operates as a slave and is compatible with SPI or MICROWIRE bus specifications. Data is clocked out on the falling edge of the serial clock (SC), while data is clocked in on the rising edge of SC. A complete transmit/receive communication will consist of 32 serial clocks. The first 16 clocks comprise the transmit phase of communication, while the second 16 clocks are the receive phase.

When \overline{CS} is high SI/O will be in TRI-STATE[®]. Communication should be initiated by taking chip select (\overline{CS}) low. This should not be done when SC is changing from a low to high state. Once \overline{CS} is low the serial I/O pin (SI/O) will transmit the first bit of data. The master can then read this bit with the rising edge of SC. The remainder of the data will be clocked out by the falling edge of SC. Once the 14 bits of data (one sign bit, twelve temperature bits and 1 high bit) are transmitted the SI/O line will go into TRI-STATE. \overline{CS} can be taken high at any time during the transmit phase. If \overline{CS} is brought low in the middle of a conversion the LM74A will complete the conversion and the output shift register will be updated after \overline{CS} is brought back high.

The receive phase of a communication starts after 16 SC periods. \overline{CS} can remain low for 32 SC cycles. The LM74A will read the data available on the SI/O line on the rising edge of the serial clock. Input data is to an 8-bit shift register. The part will detect the last eight bits shifted into the register. The receive phase can last up to 16 SC periods. All ones must be shifted in order to place the part into shutdown. A zero in any location will take the LM74A out of shutdown. The following codes should only be transmitted to the LM74A:

- 00 hex
- 01 hex
- 03 hex
- 07 hex
- 0F hex
- 1F hex

- 3F hex
- 7F hex
- FF hex

any others may place the part into a Test Mode. Test Modes are used by National Semiconductor to thoroughly test the function of the LM74A during production testing. Only eight bits have been defined above since only the last eight transmitted are detected by the LM74A, before \overline{CS} is taken HIGH. The following communication can be used to determine the Manufacturer's/Device ID and then immediately place the part into continuous conversion mode. With \overline{CS} continuously low:

- Read 16 bits of temperature data
- Write 16 bits of data commanding shutdown
- Read 16 bits of Manufacturer's/Device ID data
- Write 8 to 16 bits of data commanding Conversion Mode
- Take \overline{CS} HIGH.

Note that 250 ms will have to pass for a conversion to complete before the LM74A actually transmits temperature data.

1.3 TEMPERATURE DATA FORMAT

Temperature data is represented by a 13-bit, two's complement word with an LSB (Least Significant Bit) equal to 0.0625°C:

Temperature	Digital Output	
	Binary	Hex
+150°C	0100 1011 0000 0111	4B 07h
+125°C	0011 1110 1000 0111	3E 87h
+25°C	0000 1100 1000 0111	0B 87h
+0.0625°C	0000 0000 0000 1111	00 0Fh
0°C	0000 0000 0000 0111	00 07h
-0.0625°C	1111 1111 1111 1111	FF FFh
-25°C	1111 0011 1000 0111	F3 87h
-55°C	1110 0100 1000 0111	E4 87h

Note: The last two bits are TRI-STATE and depicted as one in the table.

The first data byte is the most significant byte with most significant bit first, permitting only as much data as necessary to be read to determine temperature condition. For instance, if the first four bits of the temperature data indicate an overtemperature condition, the host processor could immediately take action to remedy the excessive temperatures.

1.4 SHUTDOWN MODE/MANUFACTURER'S ID

Shutdown mode is enabled by writing XX FF to the LM74A as shown in *Figure 7c*. The serial bus is still active when the LM74A is in shutdown. Current draw drops to less than 10 μ A between serial communications. When in shutdown mode the LM74A always will output 1000 0000 0000 0XX. This is the manufacturer's/Device ID information. The first 5-bits of the field (1000 0XXX) are reserved for manufacturer's ID.

1.0 Functional Description (Continued)

1.5 INTERNAL REGISTER STRUCTURE

The LM74A has three registers, the temperature register, the configuration register and the manufacturer's/device identification register. The temperature and manufacturer's/device identification registers are read only. The configuration register is write only.

1.5.1 Configuration Register

(Selects shutdown or continuous conversion modes):

(Write Only):

D15	D14	D13	D12	D11	D10	D9	D8	D7	D6	D5	D4	D3	D2	D1	D0
X	X	X	X	X	X	X	X	Shutdown							

D0–D15 set to XX FF hex enables shutdown mode.

D0–D15 set to 00 00 hex sets Continuous conversion mode.

Note: setting D0-D15 to any other values may place the LM70 into a manufacturer's test mode, upon which the LM74A will stop responding as described. These test modes are to be used for National Semiconductor production testing only. See Section 1.2 Serial Bus Interface for a complete discussion.

1.5.2 Temperature Register

(Read Only):

D15	D14	D13	D12	D11	D10	D9	D8	D7	D6	D5	D4	D3	D2	D1	D0
MSB	Bit 11	Bit 10	Bit 9	Bit 8	Bit 7	Bit 6	Bit 5	Bit 4	Bit 3	Bit 2	Bit 1	LSB	1	X	X

D0–D1: Undefined. TRI-STATE will be output on SI/O.

D2: Always set high.

D3–D15: Temperature Data. One LSB = 0.0625°C. Two's complement format.

1.5.3 Manufacturer's/Device Id Register

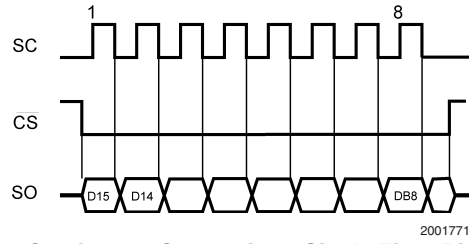
(Read Only):

D15	D14	D13	D12	D11	D10	D9	D8	D7	D6	D5	D4	D3	D2	D1	D0
1	0	0	0	0	0	0	0	0	0	0	0	0	0	X	X

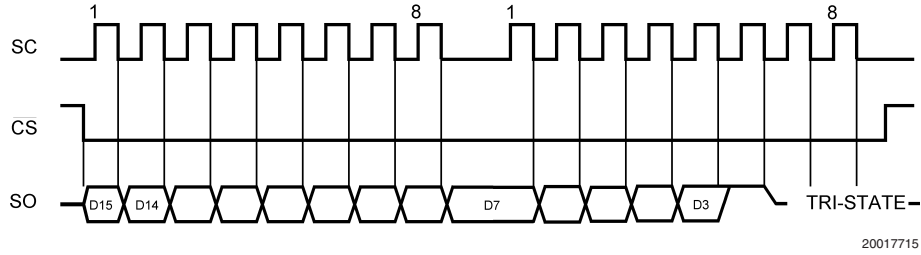
D0–D1: Undefined. TRI-STATE will be output on SI/O.

D2–D15: Manufacturer's/Device ID Data. This register is accessed whenever the LM74A is in shutdown mode.

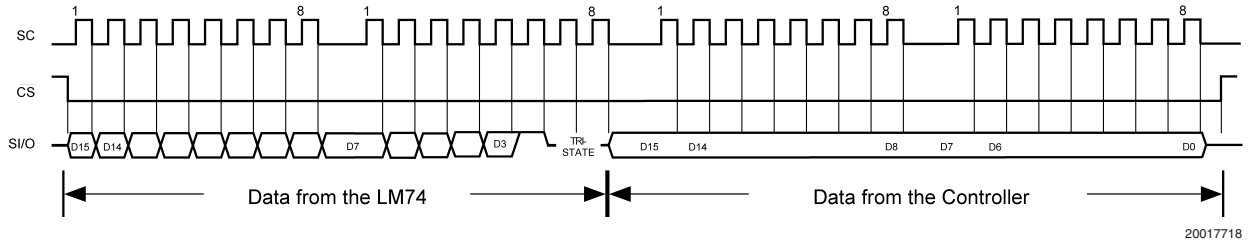
2.0 Serial Bus Timing Diagrams



a) Reading Continuous Conversion - Single Eight-Bit Frame



b) Reading Continuous Conversion - Two Eight-Bit Frames



c) Writing Shutdown Control

FIGURE 7. Timing Diagrams

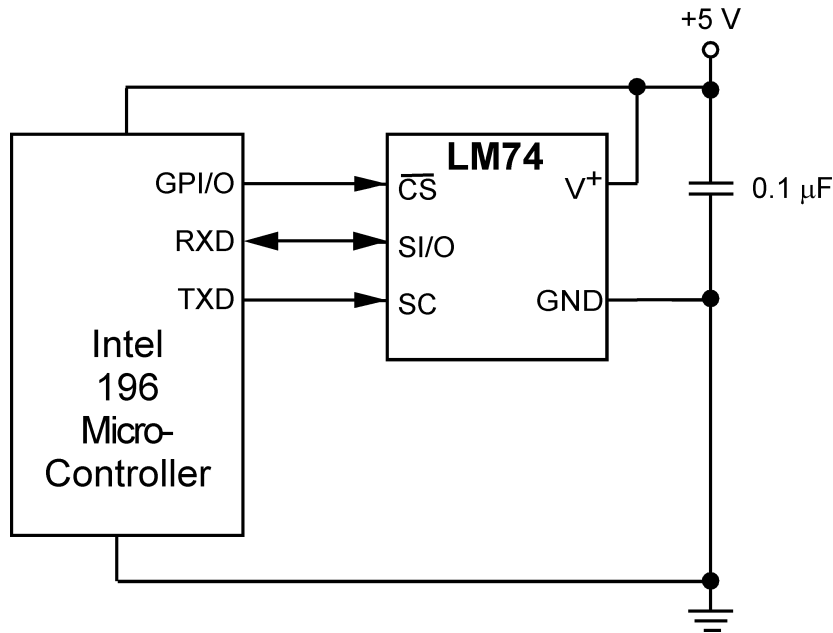
3.0 Application Hints

3.1 LIGHT SENSITIVITY

The LM74A in die form should not be exposed to ultraviolet light. Exposing the LM74A to bright sunlight will not immediately cause a change in the output reading. Our experiments show that directly exposing the circuit side (pad side) of the die to high intensity ($\geq 1\text{mW/cm}^2$) ultraviolet light, centered at

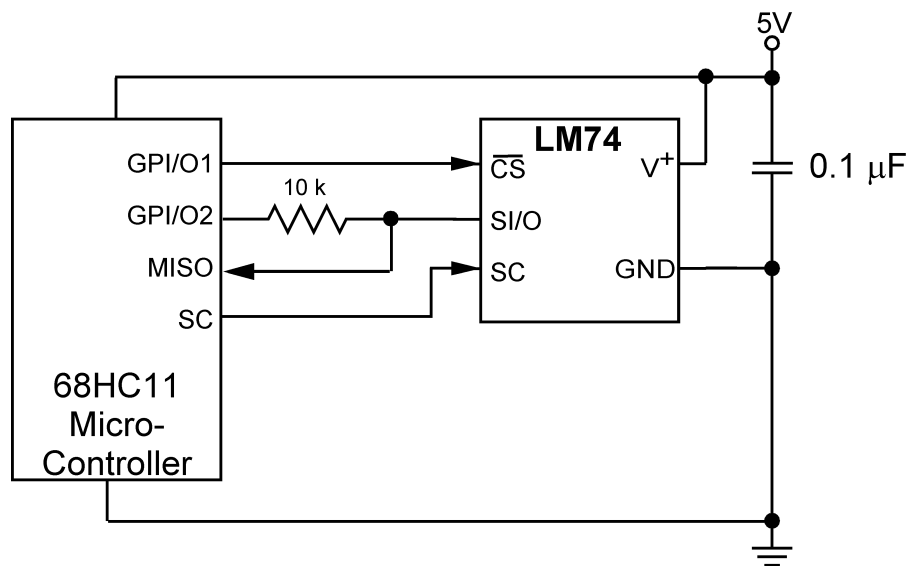
a wavelength of 254nm, for greater than 20 minutes will deprogram the EEPROM cells in the LM74A. Since the EEPROM is used for storing calibration coefficients, the LM74A will function but the temperature accuracy will no longer be as specified. Light can penetrate through the side of the die as well.

4.0 Typical Applications



20017720

FIGURE 8. Temperature monitor using Intel 196 processor



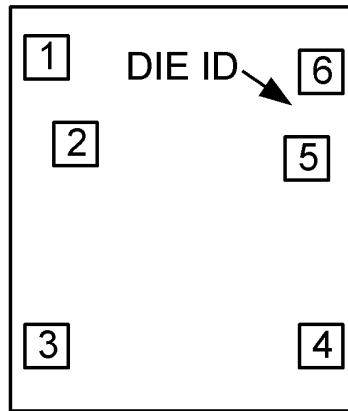
20017719

FIGURE 9. LM74A digital input control using micro-controller's general purpose I/O.

5.0 Revision History

Date	Revision
10/12/2004	1. Added LM74A-3 MDA specifications. 2. Updated order number of LM74A MDA to LM74A-5 MDA.
07/17/2001	Released to web originaly.

Bond Pad Layout



20017727

Bond Pad Layout
Order Number LM74A-5 MDA or LM74A-3 MDA
Bare Die
TOP VIEW
1.40mm x 1.57 mm (55 x 62 mils)
For Bond Pad Mechanical Dimensions see Connection Diagram Section

National does not assume any responsibility for use of any circuitry described, no circuit patent licenses are implied and National reserves the right at any time without notice to change said circuitry and specifications.

For the most current product information visit us at www.national.com.

LIFE SUPPORT POLICY

NATIONAL'S PRODUCTS ARE NOT AUTHORIZED FOR USE AS CRITICAL COMPONENTS IN LIFE SUPPORT DEVICES OR SYSTEMS WITHOUT THE EXPRESS WRITTEN APPROVAL OF THE PRESIDENT AND GENERAL COUNSEL OF NATIONAL SEMICONDUCTOR CORPORATION. As used herein:

- Life support devices or systems are devices or systems which, (a) are intended for surgical implant into the body, or (b) support or sustain life, and whose failure to perform when properly used in accordance with instructions for use provided in the labeling, can be reasonably expected to result in a significant injury to the user.
- A critical component is any component of a life support device or system whose failure to perform can be reasonably expected to cause the failure of the life support device or system, or to affect its safety or effectiveness.

BANNED SUBSTANCE COMPLIANCE

National Semiconductor certifies that the products and packing materials meet the provisions of the Customer Products Stewardship Specification (CSP-9-111C2) and the Banned Substances and Materials of Interest Specification (CSP-9-111S2) and contain no "Banned Substances" as defined in CSP-9-111S2.



National Semiconductor
Americas Customer
Support Center
 Email: new.feedback@nsc.com
 Tel: 1-800-272-9959

www.national.com

National Semiconductor
Europe Customer Support Center
 Fax: +49 (0) 180-530 85 86
 Email: europe.support@nsc.com
 Deutsch Tel: +49 (0) 69 9508 6208
 English Tel: +44 (0) 870 24 0 2171
 Français Tel: +33 (0) 1 41 91 8790

National Semiconductor
Asia Pacific Customer
Support Center
 Email: ap.support@nsc.com

National Semiconductor
Japan Customer Support Center
 Fax: 81-3-5639-7507
 Email: jpn.feedback@nsc.com
 Tel: 81-3-5639-7560