

KA258/KA258A, KA358/KA358A, KA2904

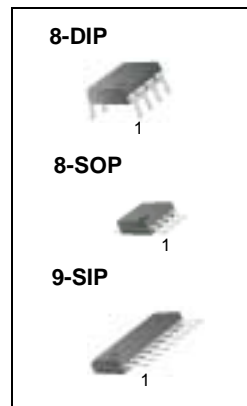
Dual Operational Amplifier

Features

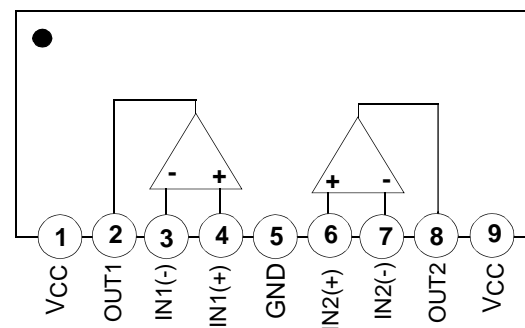
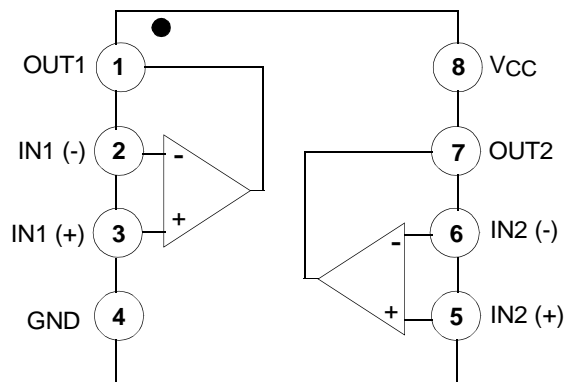
- Internally Frequency Compensated for Unity Gain
- Large DC Voltage Gain: 100dB
- Wide Power Supply Range:
KA258/KA258A, KA358/KA358A: 3V ~ 32V (or $\pm 1.5V \sim 16V$)
KA2904 : 3V~26V (or $\pm 1.5V \sim 13V$)
- Input Common Mode Voltage Range Includes Ground
- Large Output Voltage Swing: 0V DC to $V_{CC} - 1.5V$ DC
- Power Drain Suitable for Battery Operation.

Description

The KA258 series consist of two independent, high gain, internally frequency compensated operational amplifiers which were designed specifically to operate from a single power supply over a wide range of voltage. Operation from split power supplies is also possible and the low power supply current drain is independent of the magnitude of the power supply voltage. Application areas include transducer amplifier, DC gain blocks and all the conventional OP-AMP circuits which now can be easily implemented in single power supply systems.

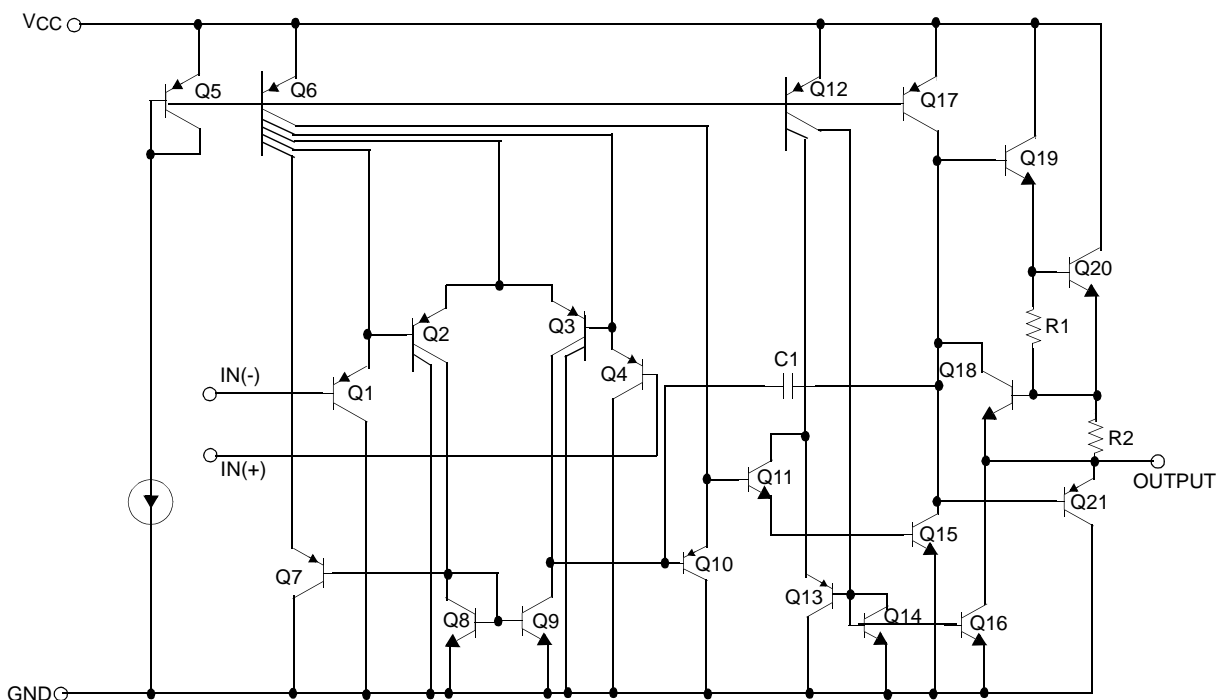


Internal Block Diagram



Schematic Diagram

(One section only)



Absolute Maximum Ratings

| Parameter | Symbol | KA258/KA258A | KA358/KA358A | KA2904 | Unit |
|---|----------------------|--------------|--------------|-------------|------|
| Supply Voltage | V _{CC} | ±16 or 32 | ±16 or 32 | ±13 or 26 | V |
| Differential Input Voltage | V _{I(DIFF)} | 32 | 32 | 26 | V |
| Input Voltage | V _I | -0.3 to +32 | -0.3 to +32 | -0.3 to +26 | V |
| Output Short Circuit to GND V _{CC} ≤ 15V, T _A = 25°C (One Amp) | - | Continuous | Continuous | Continuous | - |
| Operating Temperature Range | T _{OPR} | -25 ~ +85 | 0 ~ +70 | -40 ~ +85 | °C |
| Storage Temperature Range | T _{STG} | -65 ~ +150 | -65 ~ +150 | -65 ~ +150 | °C |

Electrical Characteristics

($V_{CC} = 5.0V$, $V_{EE} = GND$, $T_A = 25^\circ C$, unless otherwise specified)

| Parameter | Symbol | Conditions | KA258 | | | KA358 | | | KA2904 | | | Unit | |
|------------------------------|---------------|---|------------------|----------|----------------|-------|----------|----------------|--------|----------|----------------|---------|---|
| | | | Min. | Typ. | Max. | Min. | Typ. | Max. | Min. | Typ. | Max. | | |
| Input Offset Voltage | V_{IO} | $V_{CM} = 0V$ to $V_{CC} - 1.5V$ $V_{O(P)} = 1.4V$, $R_S = 0\Omega$ | - | 2.9 | 5.0 | - | 2.9 | 7.0 | - | 2.9 | 7.0 | mV | |
| Input Offset Current | I_{IO} | - | - | 3 | 30 | - | 5 | 50 | - | 5 | 50 | nA | |
| Input Bias Current | I_{BIAS} | - | - | 45 | 150 | - | 45 | 250 | - | 45 | 250 | nA | |
| Input Voltage Range | $V_{I(R)}$ | $V_{CC} = 30V$ (KA2904, $V_{CC} = 26V$) | 0 | - | $V_{CC} - 1.5$ | 0 | - | $V_{CC} - 1.5$ | 0 | - | $V_{CC} - 1.5$ | V | |
| Supply Current | I_{CC} | $R_L = \infty$, $V_{CC} = 30V$ (KA2904, $V_{CC} = 26V$) | - | 0.8 | 2.0 | - | 0.8 | 2.0 | - | 0.8 | 2.0 | mA | |
| | | $R_L = \infty$, $V_{CC} = 5V$ | - | 0.5 | 1.2 | - | 0.5 | 1.2 | - | 0.5 | 1.2 | mA | |
| Large Signal Voltage Gain | G_V | $V_{CC} = 15V$, $R_L = 2k\Omega$ $V_{O(P)} = 1V$ to $11V$ | 50 | 100 | - | 25 | 100 | - | 25 | 100 | - | V/mV | |
| Output Voltage Swing | $V_{O(H)}$ | $V_{CC} = 30V$ $(V_{CC} = 26V$ for KA2904) | $R_L = 2k\Omega$ | 26 | - | - | 26 | - | - | 22 | - | - | V |
| | | $R_L = 10k\Omega$ | 27 | 28 | - | 27 | 28 | - | 23 | 24 | - | V | |
| | $V_{O(L)}$ | $V_{CC} = 5V$, $R_L = 10k\Omega$ | - | 5 | 20 | - | 5 | 20 | - | 5 | 20 | mV | |
| Common-Mode Rejection Ratio | CMRR | - | 70 | 85 | - | 65 | 80 | - | 50 | 80 | - | dB | |
| Power Supply Rejection Ratio | PSRR | - | 65 | 100 | - | 65 | 100 | - | 50 | 100 | - | dB | |
| Channel Separation | CS | $f = 1kHz$ to $20kHz$ (Note1) | - | 120 | - | - | 120 | - | - | 120 | - | dB | |
| Short Circuit to GND | I_{SC} | - | - | 40 | 60 | - | 40 | 60 | - | 40 | 60 | mA | |
| Output Current | I_{SOURCE} | $V_{I(+)} = 1V$, $V_{I(-)} = 0V$ $V_{CC} = 15V$, $V_{O(P)} = 2V$ | 20 | 30 | - | 20 | 30 | - | 20 | 30 | - | mA | |
| | I_{SINK} | $V_{I(+)} = 0V$, $V_{I(-)} = 1V$ $V_{CC} = 15V$, $V_{O(P)} = 2V$ | 10 | 15 | - | 10 | 15 | - | 10 | 15 | - | mA | |
| | | $V_{I(+)} = 0V$, $V_{I(-)} = 1V$ $V_{CC} = 15V$, $V_{O(P)} = 200mV$ | 12 | 100 | - | 12 | 100 | - | - | - | - | μA | |
| Differential Input Voltage | $V_{I(DIFF)}$ | - | - | V_{CC} | - | - | V_{CC} | - | - | V_{CC} | V | | |

Note:

1. This parameter, although guaranteed, is not 100% tested in production.

Electrical Characteristics (Continued)

(VCC = 5.0V, VEE = GND, unless otherwise specified)

The following specification apply over the range of $-25^{\circ}\text{C} \leq T_A \leq +85^{\circ}\text{C}$ for the KA258; and the $0^{\circ}\text{C} \leq T_A \leq +70^{\circ}\text{C}$ for the KA358; and the $-40^{\circ}\text{C} \leq T_A \leq +85^{\circ}\text{C}$ for the KA2904

| Parameter | Symbol | Conditions | KA258 | | | KA358 | | | KA2904 | | | Unit | |
|----------------------------|--------------------------|---|-------------------------|------|----------------|-------|------|----------------|--------|------|----------------|--------------------------------|---|
| | | | Min. | Typ. | Max. | Min. | Typ. | Max. | Min. | Typ. | Max. | | |
| Input Offset Voltage | V_{IO} | $V_{CM} = 0V$ to $V_{CC} - 1.5V$ $V_{O(P)} = 1.4V$, $R_S = 0\Omega$ | - | - | 7.0 | - | - | 9.0 | - | - | 10.0 | mV | |
| Input Offset Voltage Drift | $\Delta V_{IO}/\Delta T$ | $R_S = 0\Omega$ | - | 7.0 | - | - | 7.0 | - | - | 7.0 | - | $\mu\text{V}/^{\circ}\text{C}$ | |
| Input Offset Current | I_{IO} | - | - | - | 100 | - | - | 150 | - | 45 | 200 | nA | |
| Input Offset Current Drift | $\Delta I_{IO}/\Delta T$ | - | - | 10 | - | - | 10 | - | - | 10 | - | $\text{pA}/^{\circ}\text{C}$ | |
| Input Bias Current | I_{BIAS} | - | - | 40 | 300 | - | 40 | 500 | - | 40 | 500 | nA | |
| Input Voltage Range | $V_{I(R)}$ | $V_{CC} = 30V$ (KA2904, $V_{CC} = 26V$) | 0 | - | $V_{CC} - 2.0$ | 0 | - | $V_{CC} - 2.0$ | 0 | - | $V_{CC} - 2.0$ | V | |
| Large Signal Voltage Gain | G_V | $V_{CC} = 15V$, $R_L = 2.0\text{k}\Omega$ $V_{O(P)} = 1V$ to $11V$ | 25 | - | - | 15 | - | - | 15 | - | - | V/mV | |
| Output Voltage Swing | $V_{O(H)}$ | $V_{CC} = 30V$ $(V_{CC} = 26V$ for KA2904) | $R_L = 2\text{k}\Omega$ | 26 | - | - | 26 | - | - | 22 | - | - | V |
| | | $R_L = 10\text{k}\Omega$ | 27 | 28 | - | 27 | 28 | - | 23 | 24 | - | V | |
| | $V_{O(L)}$ | $V_{CC} = 5V$, $R_L = 10\text{k}\Omega$ | - | 5 | 20 | - | 5 | 20 | - | 5 | 20 | mV | |
| Output Current | I_{SOURCE} | $V_{I(+)} = 1V$, $V_{I(-)} = 0V$ $V_{CC} = 15V$, $V_{O(P)} = 2V$ | 10 | 30 | - | 10 | 30 | - | 10 | 30 | - | mA | |
| | I_{SINK} | $V_{I(+)} = 0V$, $V_{I(-)} = 1V$ $V_{CC} = 15V$, $V_{O(P)} = 2V$ | 5 | 8 | - | 5 | 9 | - | 5 | 9 | - | mA | |
| Differential Input Voltage | $V_{I(DIFF)}$ | - | - | - | V_{CC} | - | - | V_{CC} | - | - | V_{CC} | V | |

Electrical Characteristics (Continued)

(VCC = 5.0V, VEE = GND, TA = 25°C, unless otherwise specified)

| Parameter | Symbol | Conditions | KA258A | | | KA358A | | | Unit | |
|------------------------------|----------------------|---|-----------------------|------|-------------------------|--------|------|-------------------------|------|---|
| | | | Min. | Typ. | Max. | Min. | Typ. | Max. | | |
| Input Offset Voltage | V _{IO} | V _{CM} = 0V to V _{CC} -1.5V V _{O(P)} = 1.4V, R _S = 0Ω | - | 1.0 | 3.0 | - | 2.0 | 3.0 | mV | |
| Input Offset Current | I _{IO} | - | - | 2 | 15 | - | 5 | 30 | nA | |
| Input Bias Current | I _{BIAS} | - | - | 40 | 80 | - | 45 | 100 | nA | |
| Input Voltage Range | V _{I(R)} | V _{CC} = 30V | 0 | - | V _{CC} -1.5 | 0 | - | V _{CC} -1.5 | V | |
| Supply Current | I _{CC} | R _L = ∞, V _{CC} = 30V | - | 0.8 | 2.0 | - | 0.8 | 2.0 | mA | |
| | | R _L = ∞, V _{CC} = 5V | - | 0.5 | 1.2 | - | 0.5 | 1.2 | mA | |
| Large Signal Voltage Gain | G _V | V _{CC} = 15V, R _L =2kΩ V _O = 1V to 11V | 50 | 100 | - | 25 | 100 | - | V/mV | |
| Output Voltage Swing | V _{OH} | V _{CC} = 30V | R _L = 2kΩ | 26 | - | - | 26 | - | - | V |
| | | | R _L = 10kΩ | 27 | 28 | - | 27 | 28 | - | V |
| | V _{OL} | V _{CC} = 5V, R _L =10kΩ | - | 5 | 20 | - | 5 | 20 | mV | |
| Common-Mode Rejection Ratio | CMRR | - | 70 | 85 | - | 65 | 85 | - | dB | |
| Power Supply Rejection Ratio | PSRR | - | 65 | 100 | - | 65 | 100 | - | dB | |
| Channel Separation | CS | f = 1kHz to 20kHz (Note1) | - | 120 | - | - | 120 | - | dB | |
| Short Circuit to GND | ISC | - | - | 40 | 60 | - | 40 | 60 | mA | |
| Output Current | I _{SOURCE} | V _{I(+)} = 1V, V _{I(-)} = 0V V _{CC} = 15V, V _{O(P)} = 2V | 20 | 30 | - | 20 | 30 | - | mA | |
| | I _{SINK} | V _{I(+)} = 1V, V _{I(-)} = 0V V _{CC} = 15V, V _{O(P)} = 2V | 10 | 15 | - | 10 | 15 | - | mA | |
| | | V _{in(+)} = 0V, V _{in(-)} = 1V V _{O(P)} = 200mV | 12 | 100 | - | 12 | 100 | - | μA | |
| Differential Input Voltage | V _{I(DIFF)} | - | - | - | V _{CC} | - | - | V _{CC} | V | |

Note:

1. This parameter, although guaranteed, is not 100% tested in production.

Electrical Characteristics (Continued)

(VCC = 5.0V, VEE = GND, unless otherwise specified)

The following specifications apply over the range of $-25^{\circ}\text{C} \leq T_A \leq +85^{\circ}\text{C}$ for the KA258A; and the $0^{\circ}\text{C} \leq T_A \leq +70^{\circ}\text{C}$ for the KA358A

| Parameter | Symbol | Conditions | KA258A | | | KA358A | | | Unit | |
|---------------------------------|----------------------|---|-----------------------|------|-----------------------|--------|------|-----------------------|-------|---|
| | | | Min. | Typ. | Max. | Min. | Typ. | Max. | | |
| Input Offset Voltage | V _{IO} | V _{CM} = 0V to V _{CC} - 1.5V V _{O(P)} = 1.4V, R _S = 0Ω | - | - | 4.0 | - | - | 5.0 | mV | |
| Input Offset Voltage Drift | ΔV _{IO} /ΔT | - | - | 7.0 | 15 | - | 7.0 | 20 | μV/°C | |
| Input Offset Current | I _{IO} | - | - | - | 30 | - | - | 75 | nA | |
| Input Offset Current Drift | ΔI _{IO} /ΔT | - | - | 10 | 200 | - | 10 | 300 | pA/°C | |
| Input Bias Current | I _{BIAS} | - | - | 40 | 100 | - | 40 | 200 | nA | |
| Input Common-Mode Voltage Range | V _{I(R)} | V _{CC} = 30V | 0 | - | V _{CC} - 2.0 | 0 | - | V _{CC} - 2.0 | V | |
| Output Voltage Swing | V _{O(H)} | V _{CC} = 30V | R _L = 2kΩ | 26 | - | - | 26 | - | - | V |
| | | | R _L = 10kΩ | 27 | 28 | - | 27 | 28 | - | V |
| | V _{O(L)} | V _{CC} = 5V, R _L = 10kΩ | - | 5 | 20 | - | 5 | 20 | mV | |
| Large Signal Voltage Gain | G _V | V _{CC} = 15V, R _L = 2.0kΩ V _{O(P)} = 1V to 11V | 25 | - | - | 15 | - | - | V/mV | |
| Output Current | I _{SOURCE} | V _{I(+)} = 1V, V _{I(-)} = 0V V _{CC} = 15V, V _{O(P)} = 2V | 10 | 30 | - | 10 | 30 | - | mA | |
| | I _{SINK} | V _{I(+)} = 1V, V _{I(-)} = 0V V _{CC} = 15V, V _{O(P)} = 2V | 5 | 9 | - | 5 | 9 | - | mA | |
| Differential Input Voltage | V _{I(DIFF)} | - | - | - | V _{CC} | - | - | V _{CC} | V | |

Typical Performance Characteristics

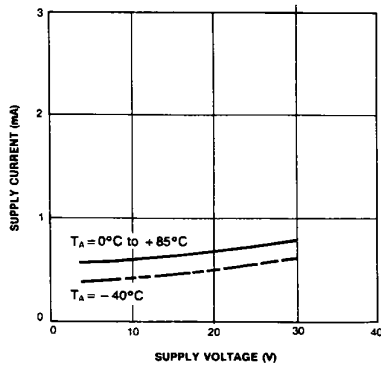


Figure 1. Supply Current vs Supply Voltage

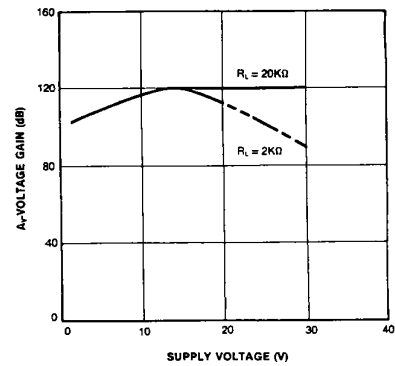


Figure 2. Voltage Gain vs Supply Voltage

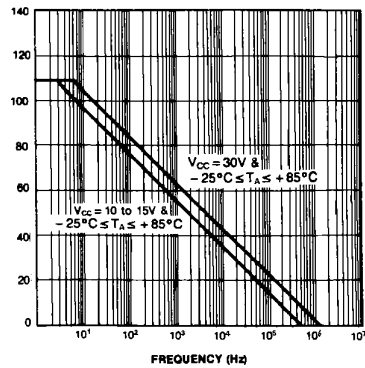


Figure 3. Open Loop Frequency Response

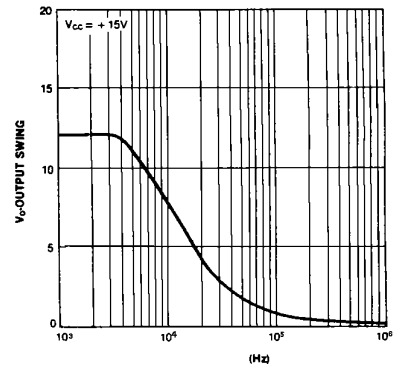


Figure 4. Large Signal Output Swing vs Frequency

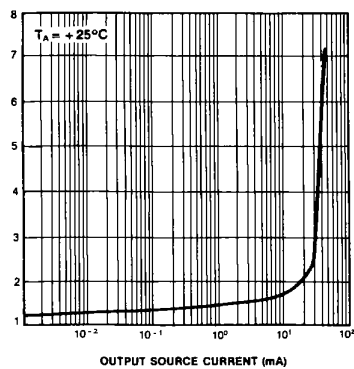


Figure 5. Output Characteristics vs Current Sourcing

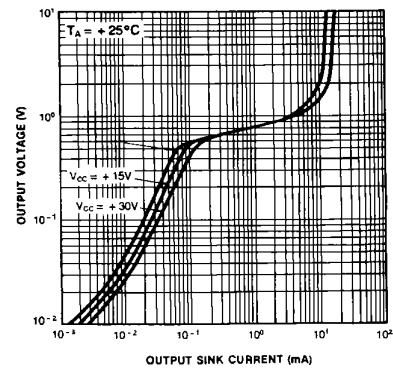


Figure 6. Output Characteristics vs Current Sinking

Typical Performance Characteristics (Continued)

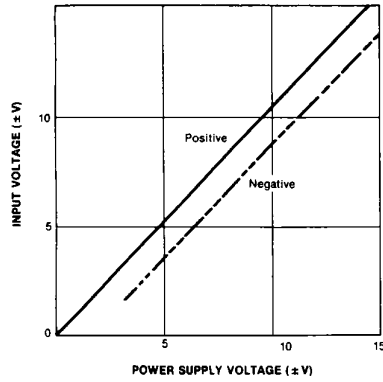


Figure 7. Input Voltage Range vs Supply Voltage

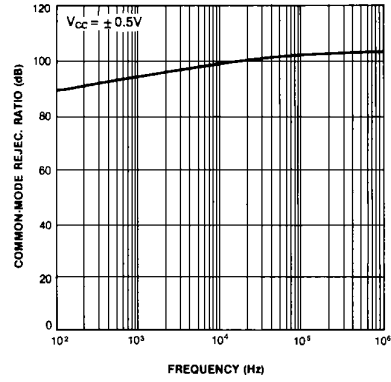


Figure 8. Common-Mode Rejection Ratio

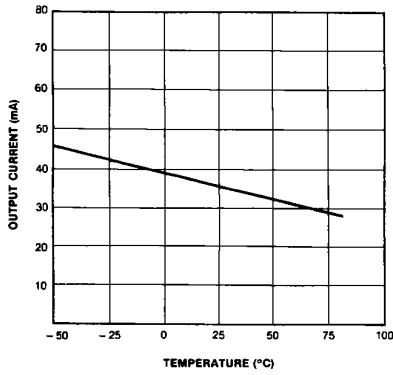


Figure 9. Output Current vs Temperature (Current Limiting)

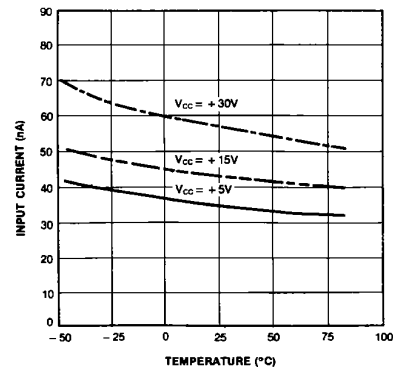


Figure 10. Input Current vs Temperature

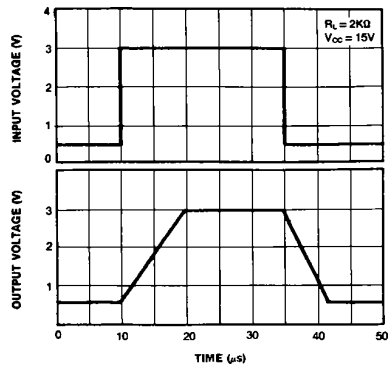


Figure 11. Voltage Follower Pulse Response

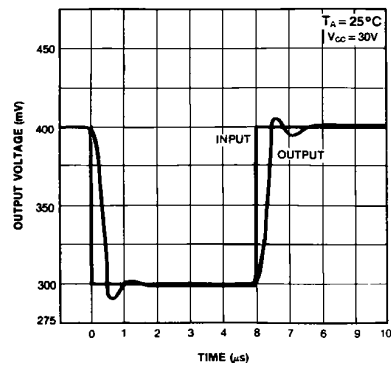


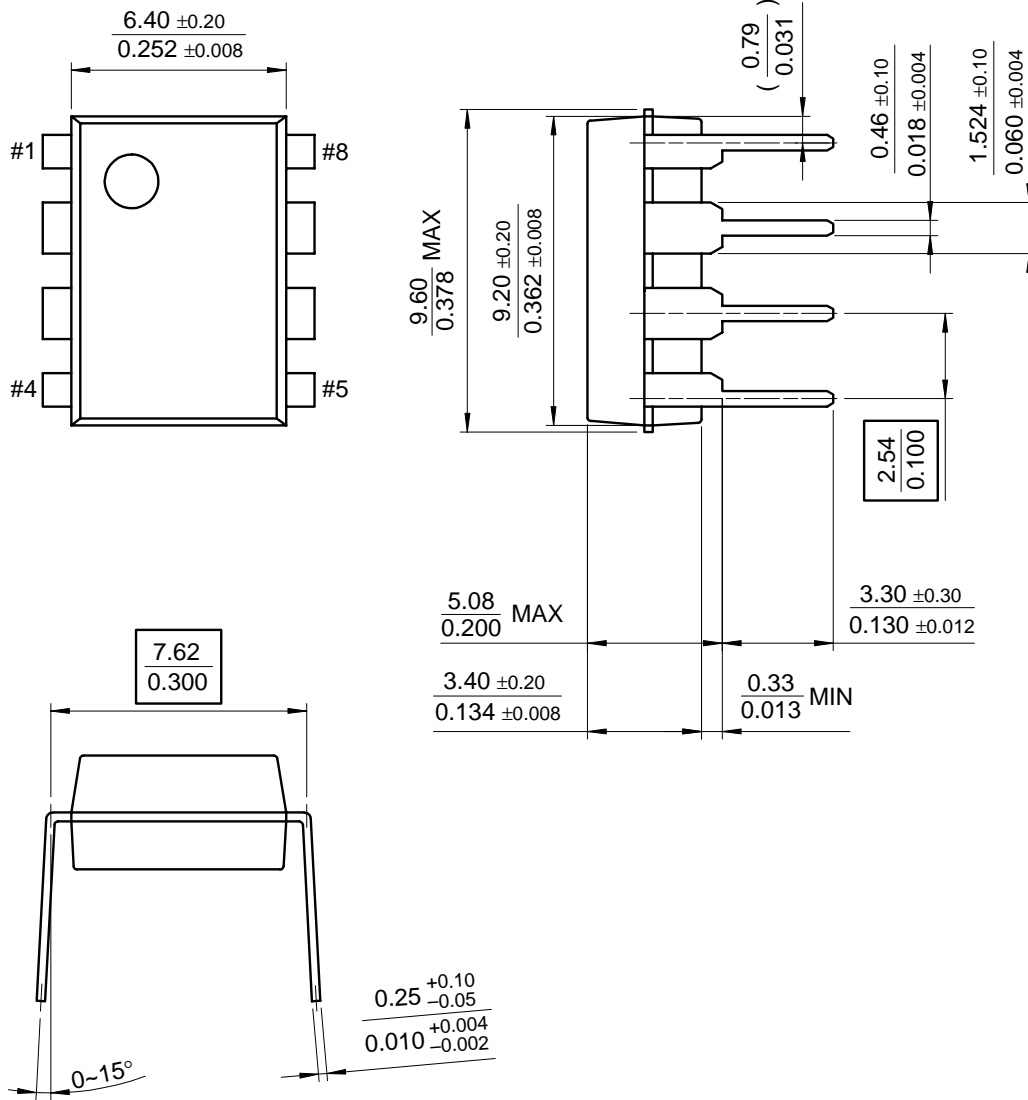
Figure 12. Voltage Follower Pulse Response (Small Signal)

Mechanical Dimensions

Package

Dimensions in millimeters

8-DIP

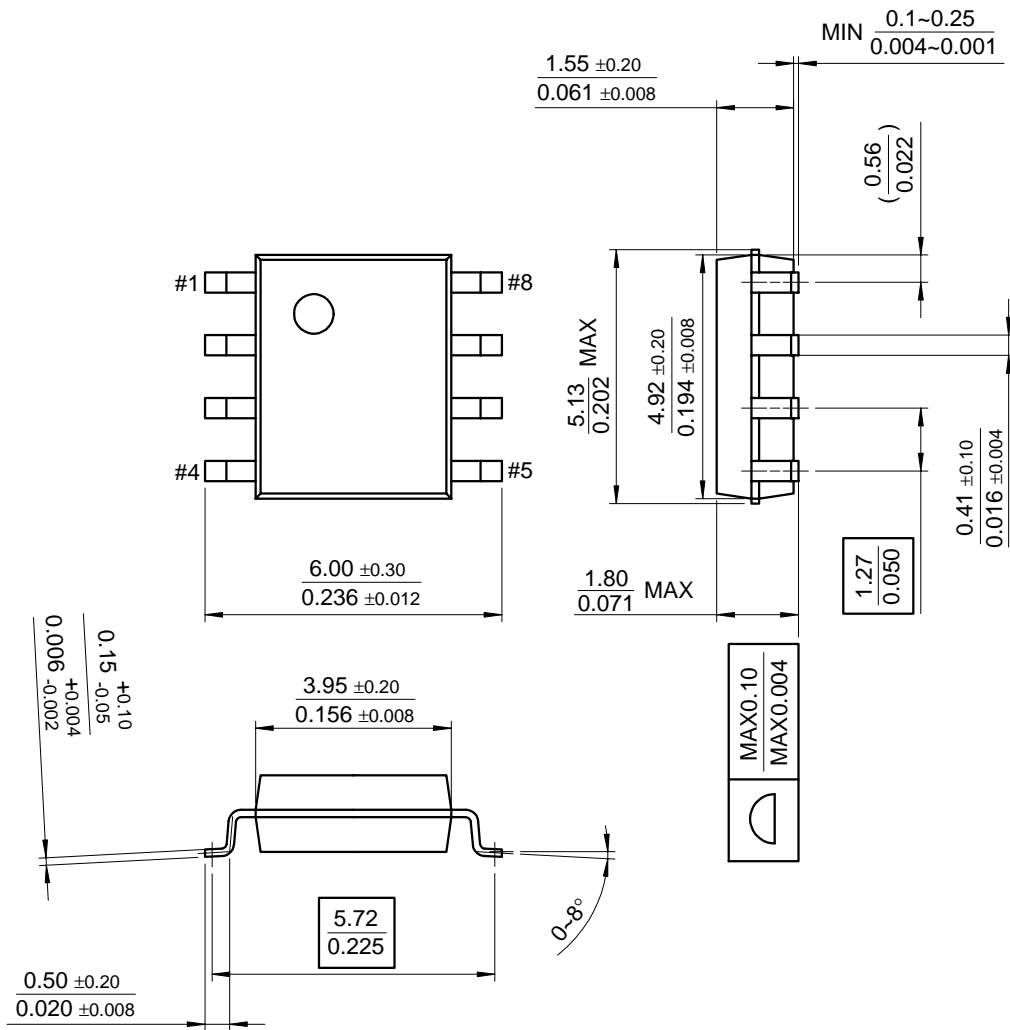


Mechanical Dimensions (Continued)

Package

Dimensions in millimeters

8-SOP

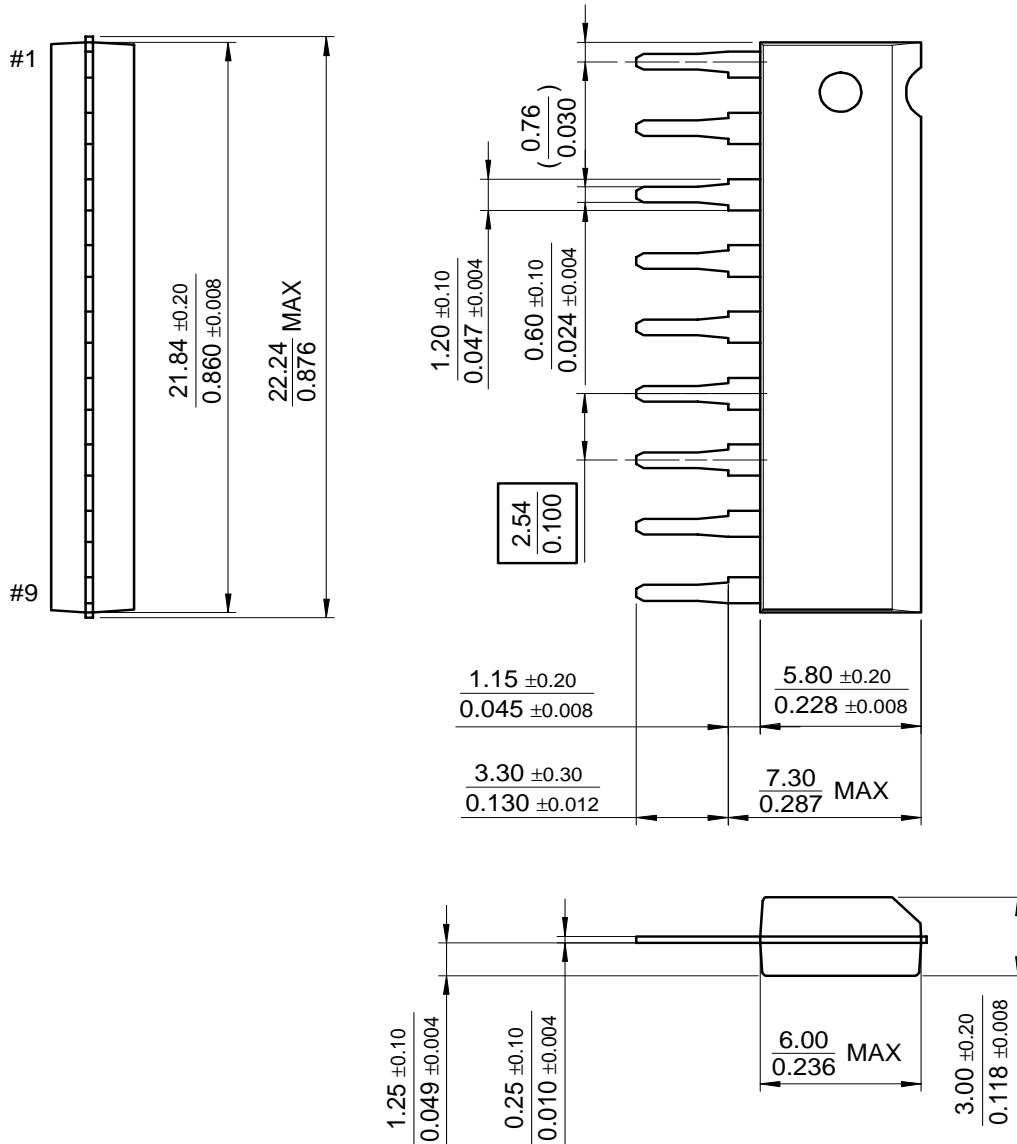


Mechanical Dimensions (Continued)

Package

Dimensions in millimeters

9-SIP



Ordering Information

| Product Number | Package | Operating Temperature |
|----------------|---------|-----------------------|
| KA358 | 8-DIP | 0 ~ +70°C |
| KA358A | | |
| KA358D | 8-SOP | |
| KA358AD | | |
| KA358S | 9-SIP | |
| KA358AS | | |
| KA258 | 8-DIP | -25 ~ +85°C |
| KA258A | | |
| KA258D | 8-SOP | |
| KA258AD | | |
| KA2904 | 8-DIP | -40 ~ +85°C |
| KA2904D | 8-SOP | |

DISCLAIMER

FAIRCHILD SEMICONDUCTOR RESERVES THE RIGHT TO MAKE CHANGES WITHOUT FURTHER NOTICE TO ANY PRODUCTS HEREIN TO IMPROVE RELIABILITY, FUNCTION OR DESIGN. FAIRCHILD DOES NOT ASSUME ANY LIABILITY ARISING OUT OF THE APPLICATION OR USE OF ANY PRODUCT OR CIRCUIT DESCRIBED HEREIN; NEITHER DOES IT CONVEY ANY LICENSE UNDER ITS PATENT RIGHTS, NOR THE RIGHTS OF OTHERS.

LIFE SUPPORT POLICY

FAIRCHILD'S PRODUCTS ARE NOT AUTHORIZED FOR USE AS CRITICAL COMPONENTS IN LIFE SUPPORT DEVICES OR SYSTEMS WITHOUT THE EXPRESS WRITTEN APPROVAL OF THE PRESIDENT OF FAIRCHILD SEMICONDUCTOR CORPORATION. As used herein:

1. Life support devices or systems are devices or systems which, (a) are intended for surgical implant into the body, or (b) support or sustain life, and (c) whose failure to perform when properly used in accordance with instructions for use provided in the labeling, can be reasonably expected to result in a significant injury of the user.
2. A critical component in any component of a life support device or system whose failure to perform can be reasonably expected to cause the failure of the life support device or system, or to affect its safety or effectiveness.