

DATA SHEET

UAA2080 Advanced pager receiver

Product specification
Supersedes data of 1995 Nov 27
File under Integrated Circuits, IC03

1996 Jan 15

Advanced pager receiver

UAA2080

FEATURES

- Wide frequency range: VHF, UHF and 900 MHz bands
- High sensitivity
- High dynamic range
- Electronically adjustable filters on chip
- Suitable for data rates up to 2400 bits/s
- Wide frequency offset and deviation range
- Fully POCSAG compatible FSK receiver
- Power on/off mode selectable by the chip enable input
- Low supply voltage; low power consumption
- High integration level
- Interfaces directly to the PCA5000A, PCF5001 and PCD5003 POCSAG decoders.

APPLICATIONS

- Wide area paging
- On-site paging
- Telemetry
- RF security systems
- Low bit-rate wireless data links.

GENERAL DESCRIPTION

The UAA2080 is a high-performance low-power radio receiver circuit primarily intended for VHF, UHF and 900 MHz pager receivers for wide area digital paging systems, employing direct FM non-return-to-zero (NRZ) frequency shift keying (FSK).

The receiver design is based on the direct conversion principle where the input signal is mixed directly down to the baseband by a local oscillator on the signal frequency. Two complete signal paths with signals of 90° phase difference are required to demodulate the signal. All channel selectivity is provided by the built-in IF filters. The circuit makes extensive use of on-chip capacitors to minimize the number of external components.

The UAA2080 was designed to operate together with the PCA5000A, PCF5001 or PCD5003 POCSAG decoders, which contain a digital input filter for optimum call success rate.

ORDERING INFORMATION

TYPE NUMBER	PACKAGE		
	NAME	DESCRIPTION	VERSION
UAA2080H	LQFP32	plastic low profile quad flat package; 32 leads; body 7 × 7 × 1.4 mm	SOT358-1
UAA2080T	SO28	plastic small outline package; 28 leads; body width 7.5 mm	SOT136-1
UAA2080U	28 pads	naked die; see Fig.9	

Advanced pager receiver

UAA2080

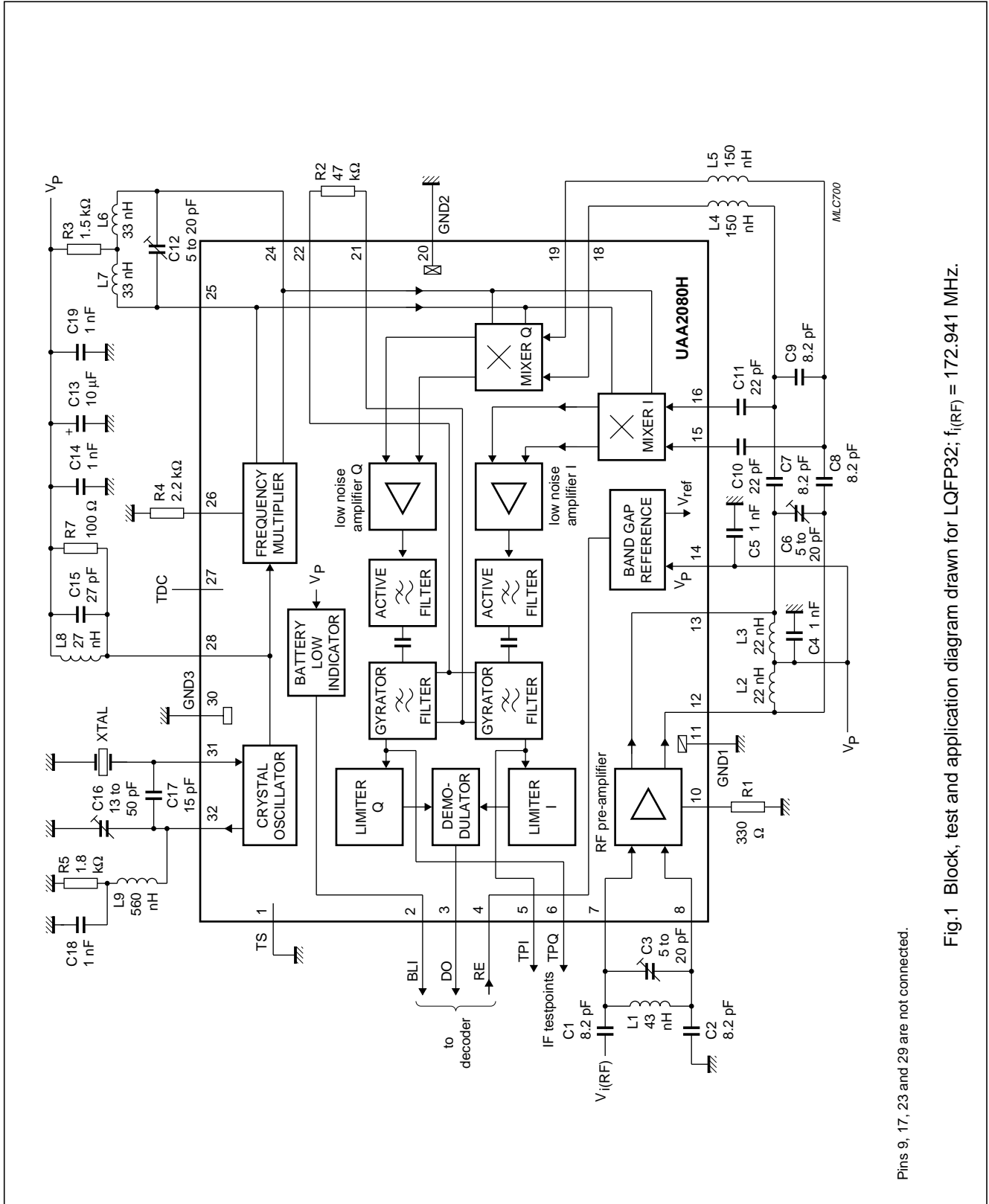
QUICK REFERENCE DATA

SYMBOL	PARAMETER	CONDITIONS	MIN.	TYP.	MAX.	UNIT
V_P	supply voltage		1.9	2.05	3.5	V
I_P	supply current		2.3	2.7	3.2	mA
$I_{P(off)}$	stand-by current		–	–	3	μ A
$P_{i(ref)}$	RF input sensitivity	BER $\leq 3/100$; ± 4 kHz deviation; data rate 1200 bits/s; $T_{amb} = 25$ °C				
		$f_{i(RF)} = 173$ MHz	–	–126.5	–123.5	dBm
		$f_{i(RF)} = 470$ MHz	–	–124.5	–121.5	dBm
		$f_{i(RF)} = 930$ MHz	–	–120.0	–114.0	dBm
$P_{i(mix)}$	mixer input sensitivity	BER $\leq 3/100$; $f_{i(RF)} = 470$ MHz; ± 4 kHz deviation; data rate 1200 bits/s; $T_{amb} = 25$ °C	–	–115.0	–110.0	dBm
V_{th}	detection threshold for battery LOW indicator		1.95	2.05	2.15	V
T_{amb}	operating ambient temperature		–10	–	+70	°C

Advanced paper receiver

UAA2080

BLOCK AND TEST DIAGRAMS (173 MHz)



Pins 9, 17, 23 and 29 are not connected.

Fig.1 Block, test and application diagram drawn for LQFP32; $f_{i(RF)} = 172.941$ MHz.

Advanced pager receiver

UAA2080

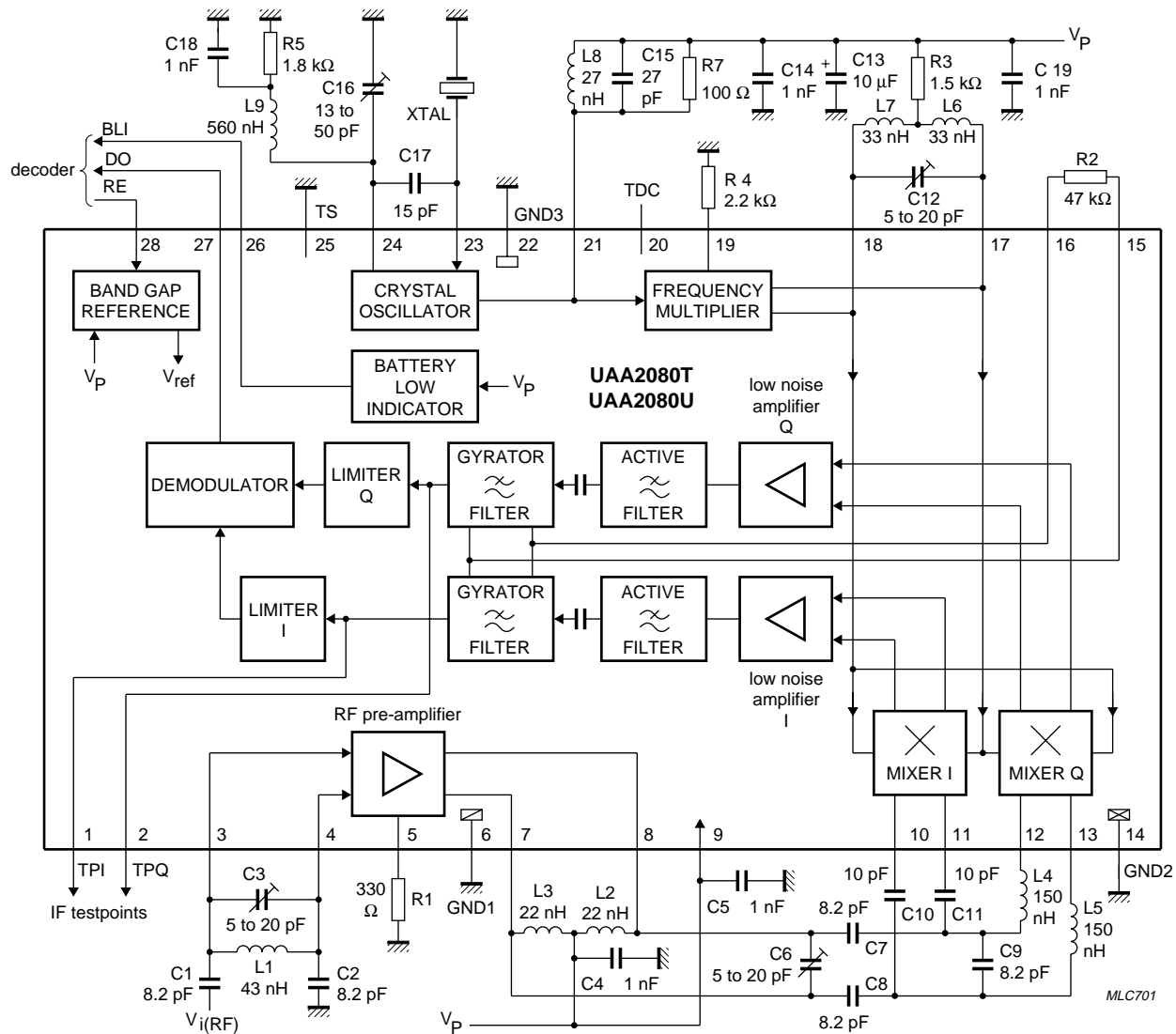


Fig.2 Block, test and application diagram drawn for SO28 and naked die; $f_{i(RF)} = 172.941$ MHz.

Advanced pager receiver

UAA2080

Table 1 Tolerances of components shown in Figs 1 and 2 (notes 1 and 2)

COMPONENT	TOLERANCE (%)	REMARK
Inductances		
L1	±5	$Q_{\min} = 100$ at 173 MHz
L2, L3, L6, L7	±20	$Q_{\min} = 50$ at 173 MHz; $TC = (+25 \text{ to } +125) \times 10^{-6}/K$
L4, L5	±10	$Q_{\min} = 30$ at 173 MHz; $TC = (+25 \text{ to } +125) \times 10^{-6}/K$
L8	±20	$Q_{\min} = 30$ at 173 MHz; $TC = (+25 \text{ to } +125) \times 10^{-6}/K$
L9	±10	$Q_{\min} = 30$ at 57 MHz; $TC = (+25 \text{ to } +125) \times 10^{-6}/K$
Resistors		
R1 to R7	±2	$TC = +50 \times 10^{-6}/K$
Capacitors		
C1, C2, C7, C8, C9, C15	±5	$TC = (0 \pm 30) \times 10^{-6}/K$; $\tan \delta \leq 30 \times 10^{-4}$ at 1 MHz
C3, C6, C12	–	$TC = (-750 \pm 300) \times 10^{-6}/K$; $\tan \delta \leq 50 \times 10^{-4}$ at 1 MHz
C4, C5, C14, C18, C19	±10	$TC = (0 \pm 30) \times 10^{-6}/K$; $\tan \delta \leq 10 \times 10^{-4}$ at 1 MHz
C10, C11	±5	$TC = (0 \pm 30) \times 10^{-6}/K$; $\tan \delta \leq 21 \times 10^{-4}$ at 1 MHz
C13	±20	
C16	–	$TC = (-1700 \pm 500) \times 10^{-6}/K$; $\tan \delta \leq 50 \times 10^{-4}$ at 1 MHz
C17	±5	$TC = (0 \pm 30) \times 10^{-6}/K$; $\tan \delta \leq 26 \times 10^{-4}$ at 1 MHz

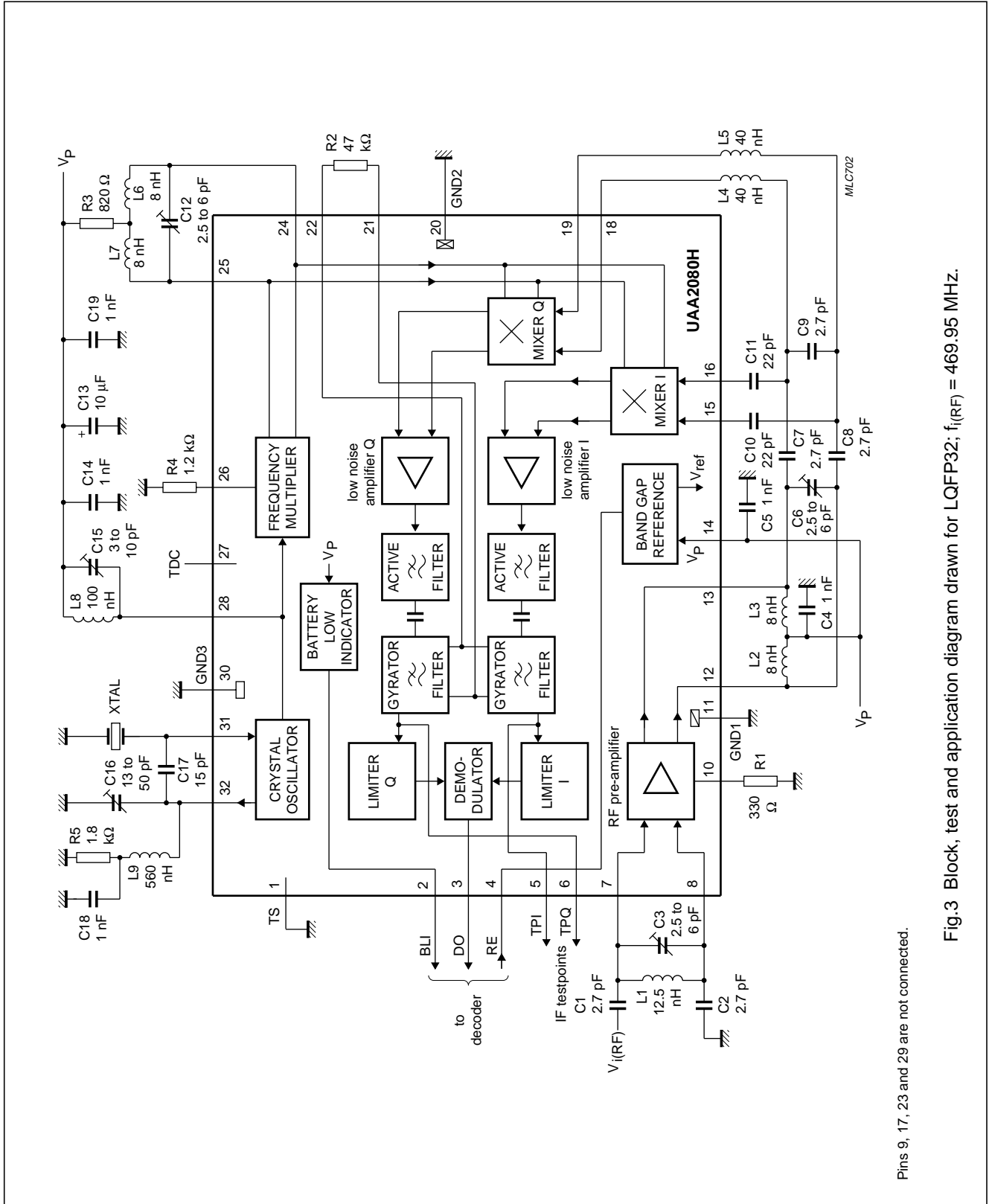
Notes

1. Recommended crystal: $f_{XTAL} = 57.647$ MHz (crystal with 8 pF load), 3rd overtone, pullability $>2.75 \times 10^{-6}/pF$ (change in frequency between series resonance and resonance with 8 pF series capacitor at 25 °C), dynamic resistance $R1 < 40 \Omega$, $\Delta f = \pm 5 \times 10^{-6}$ for $T_{amb} = -10$ to $+55$ °C with 25 °C reference, calibration plus aging tolerance: -5×10^{-6} to $+15 \times 10^{-6}$.
2. This crystal recommendation is based on economic aspects and practical experience. Normally the spreads for R1, pullability and calibration do not show their worst case limits simultaneously in one crystal. In such a rare event, the tuning range will be reduced to an insufficient level.

Advanced pager receiver

UAA2080

BLOCK AND TEST DIAGRAMS (470 MHz)



Pins 9, 17, 23 and 29 are not connected.

Fig.3 Block, test and application diagram drawn for LQFP32; $f_i(\text{RF}) = 469.95 \text{ MHz}$.

Advanced pager receiver

UAA2080

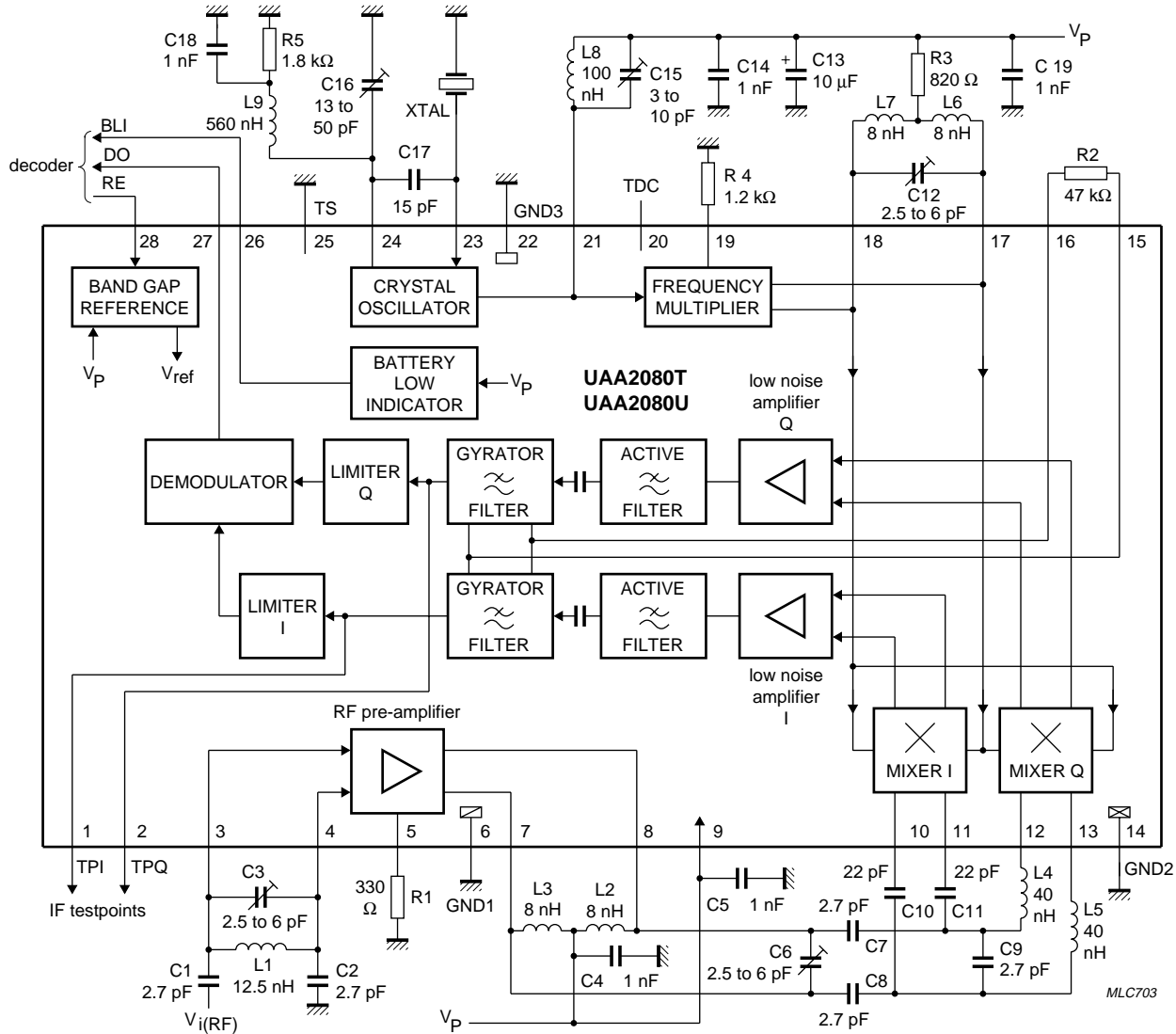


Fig.4 Block, test and application diagram drawn for SO28 and naked die; $f_{i(RF)} = 469.95$ MHz.

Advanced pager receiver

UAA2080

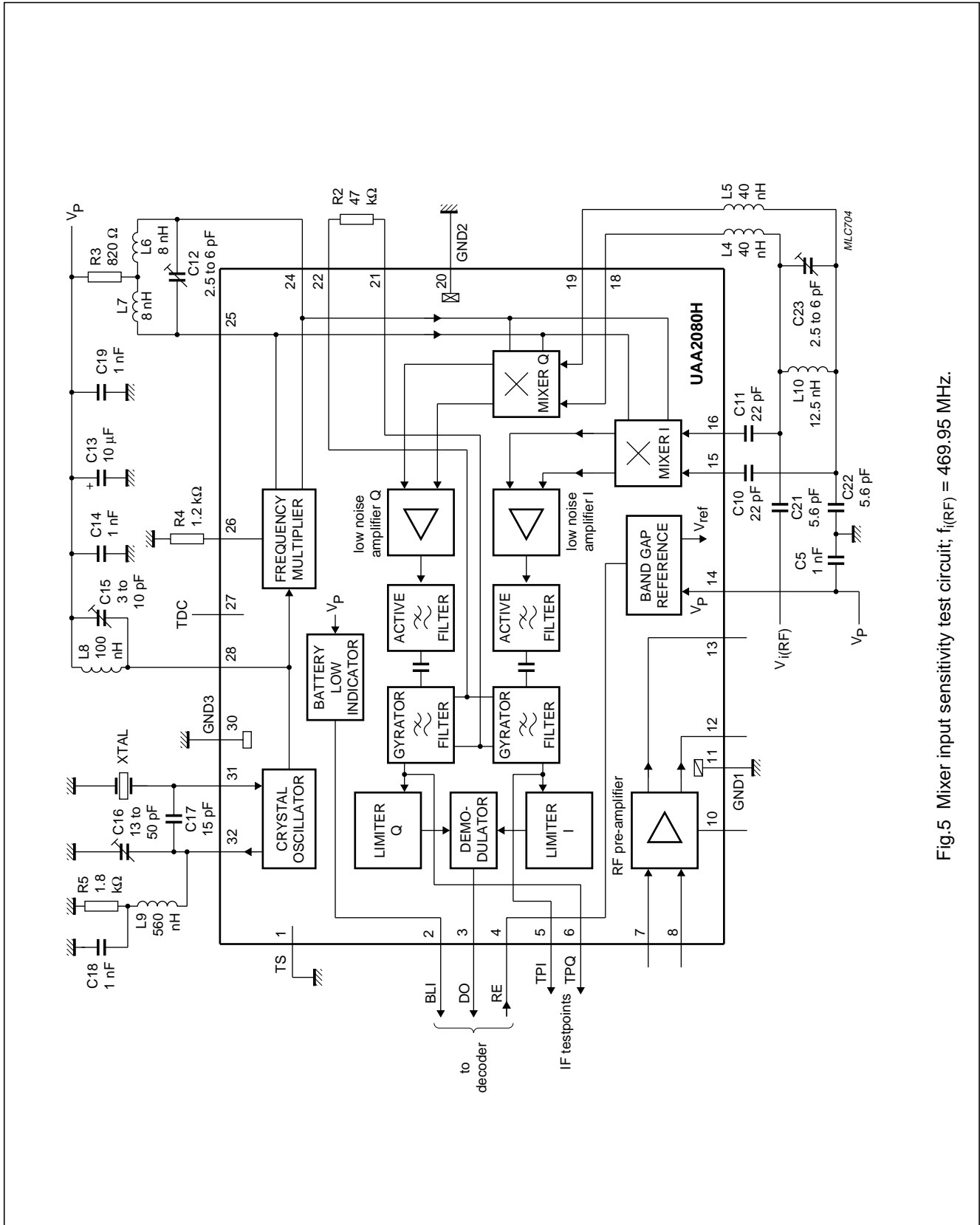


Fig.5 Mixer input sensitivity test circuit; $f_{i(RF)} = 469.95$ MHz.

Advanced pager receiver

UAA2080

Table 2 Tolerances of components shown in Figs 3, 4 and 5 (notes 1 and 2)

COMPONENT	TOLERANCE (%)	REMARK
Inductances		
L1, L10	±5	$Q_{\min} = 145$ at 470 MHz
L2, L3, L6, L7	±20	$Q_{\min} = 50$ at 470 MHz; $TC = (+25 \text{ to } +125) \times 10^{-6}/K$
L4, L5	±10	$Q_{\min} = 40$ at 470 MHz; $TC = (+25 \text{ to } +125) \times 10^{-6}/K$
L8	±10	$Q_{\min} = 30$ at 156 MHz; $TC = (+25 \text{ to } +125) \times 10^{-6}/K$
L9	±10	$Q_{\min} = 40$ at 78 MHz; $TC = (+25 \text{ to } +125) \times 10^{-6}/K$
Resistors		
R1 to R5	±2	$TC = +50 \times 10^{-6}/K$
Capacitors		
C1, C2, C7, C8, C9	±5	$TC = (0 \pm 30) \times 10^{-6}/K$; $\tan \delta \leq 30 \times 10^{-4}$ at 1 MHz
C3, C6, C12, C23	–	$TC = (-750 \pm 300) \times 10^{-6}/K$; $\tan \delta \leq 50 \times 10^{-4}$ at 1 MHz
C4, C5, C14, C18 to C22	±10	$TC = (0 \pm 30) \times 10^{-6}/K$; $\tan \delta \leq 10 \times 10^{-4}$ at 1 MHz
C10, C11	±5	$TC = (0 \pm 30) \times 10^{-6}/K$; $\tan \delta \leq 21 \times 10^{-4}$ at 1 MHz
C13	±20	
C16	–	$TC = (-1700 \pm 500) \times 10^{-6}/K$; $\tan \delta \leq 50 \times 10^{-4}$ at 1 MHz
C17	±5	$TC = (0 \pm 30) \times 10^{-6}/K$; $\tan \delta \leq 26 \times 10^{-4}$ at 1 MHz

Notes

1. Recommended crystal: $f_{XTAL} = 78.325$ MHz (crystal with 8 pF load), 3rd overtone, pullability $>2.75 \times 10^{-6}/pF$ (change in frequency between series resonance and resonance with 8 pF capacitor at 25 °C), dynamic resistance $R1 < 30 \Omega$, $\Delta f = \pm 5 \times 10^{-6}$ for $T_{amb} = -10$ to $+55$ °C with 25 °C reference, calibration plus aging tolerance: -5×10^{-6} to $+15 \times 10^{-6}$.
2. This crystal recommendation is based on economic aspects and practical experience. Normally the spreads for R1, pullability and calibration do not show their worst case limits simultaneously in one crystal. In such a rare event, the tuning range will be reduced to an insufficient level.

Advanced pager receiver

UAA2080

BLOCK AND TEST DIAGRAM (930 MHz)

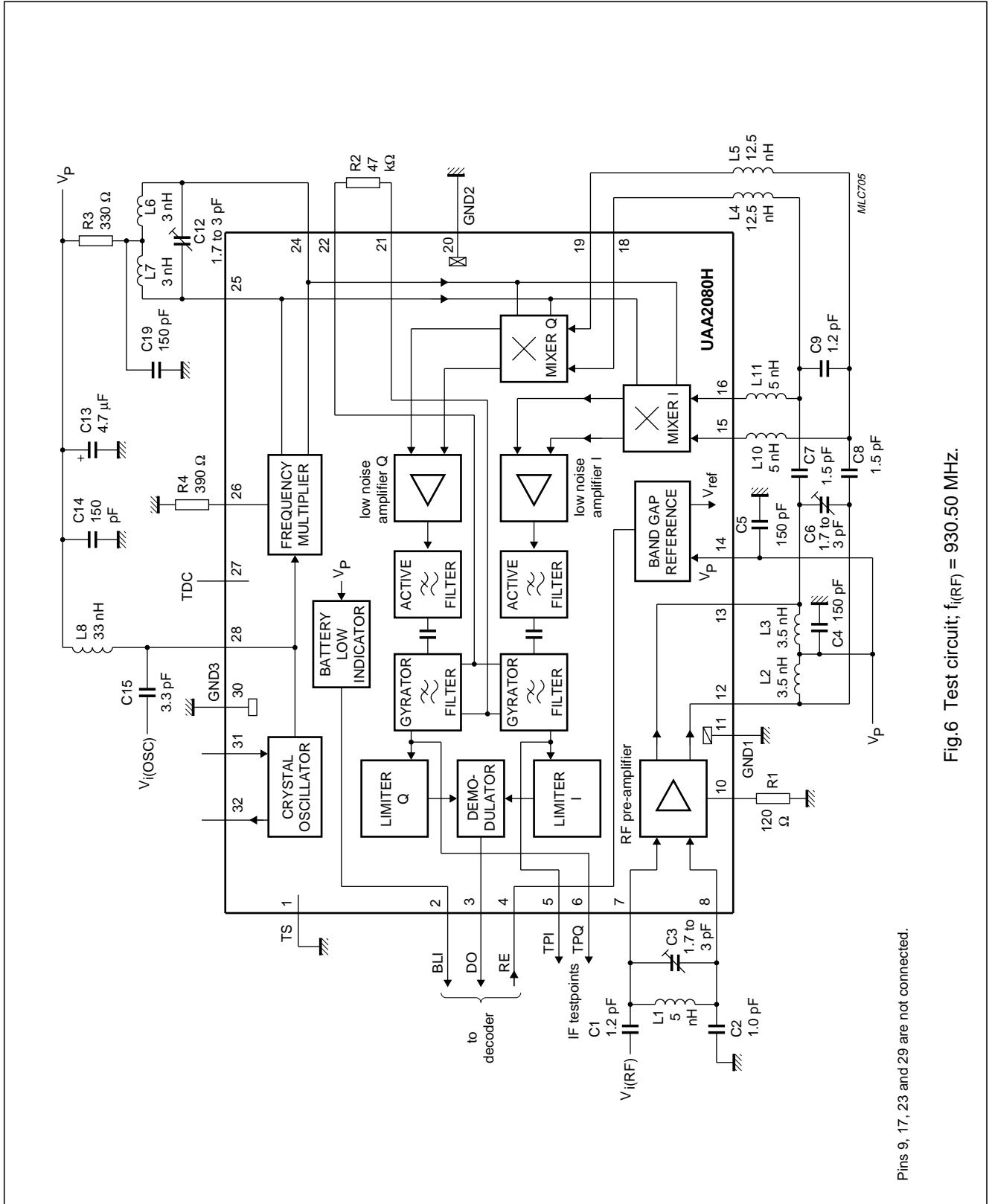


Fig.6 Test circuit; $f_{i(RF)} = 930.50$ MHz.

Pins 9, 17, 23 and 29 are not connected.

Advanced pager receiver

UAA2080

Table 3 Tolerances of components shown in Fig.6 (note 1)

COMPONENT	TOLERANCE (%)	REMARK
Inductances		
L1	±10	$Q_{typ} = 150$ at 930 MHz
L2, L3, L6, L7	–	microstrip inductor
L4, L5	±5	$Q_{typ} = 100$ at 930 MHz
L8	±10	$Q_{typ} = 65$ at 310 MHz
L10, L11	±10	$Q_{typ} = 150$ at 930 MHz
Resistors		
R1 to R4	±2	$TC = (0 \pm 200) \times 10^{-6}/K;$
Capacitors		
C1, C2, C7, C8, C9, C15	±5	$TC = (0 \pm 30) \times 10^{-6}/K; \tan \delta \leq 30 \times 10^{-4}$ at 1 MHz
C3, C6, C12	–	$TC = (0 \pm 200) \times 10^{-6}/K; \tan \delta \leq 30 \times 10^{-4}$ at 1 MHz
C4, C5, C14, C19	±10	$TC = (0 \pm 30) \times 10^{-6}/K; \tan \delta \leq 10 \times 10^{-4}$ at 1 MHz
C13	±20	

Note

1. The external oscillator signal $V_{i(OSC)}$ has a frequency of $f_{OSC} = 310.1667$ MHz.

Advanced pager receiver

UAA2080

PINNING (LQFP32)

SYMBOL	PIN	DESCRIPTION
TS	1	test switch; connection to ground for normal operation
BLI	2	battery LOW indicator output
DO	3	data output
RE	4	receiver enable input
TPI	5	IF test point; I channel
TPQ	6	IF test point; Q channel
VI1RF	7	pre-amplifier RF input 1
VI2RF	8	pre-amplifier RF input 2
n.c.	9	not connected
RRFA	10	external emitter resistor for pre-amplifier
GND1	11	ground 1 (0 V)
VO2RF	12	pre-amplifier RF output 2
VO1RF	13	pre-amplifier RF output 1
V _P	14	supply voltage
VI2MI	15	I channel mixer input 2
VI1MI	16	I channel mixer input 1
n.c.	17	not connected
VI1MQ	18	Q channel mixer input 1
VI2MQ	19	Q channel mixer input 2
GND2	20	ground 2 (0 V)
COM	21	gyrator filter resistor; common line
RGYR	22	gyrator filter resistor
n.c.	23	not connected
VO1MUL	24	frequency multiplier output 1
VO2MUL	25	frequency multiplier output 2
RMUL	26	external emitter resistor for frequency multiplier
TDC	27	DC test point; no external connection for normal operation
OSC	28	oscillator collector
n.c.	29	not connected
GND3	30	ground 3 (0 V)
OSB	31	oscillator base; crystal input
OSE	32	oscillator emitter

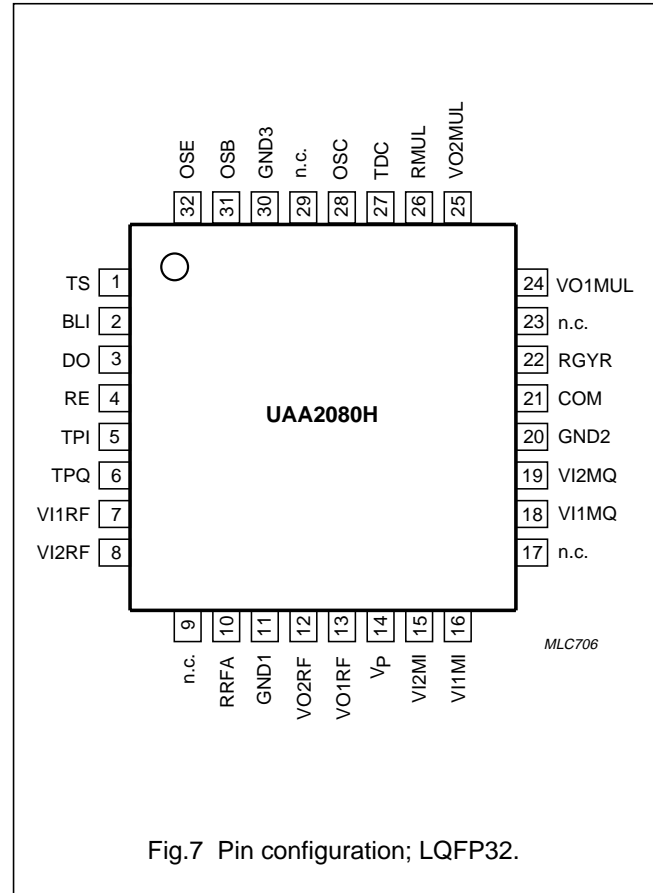


Fig.7 Pin configuration; LQFP32.

Advanced pager receiver

UAA2080

PINNING (SO28)

SYMBOL	PIN	DESCRIPTION
TPI	1	IF test point; I channel
TPQ	2	IF test point; Q channel
VI1RF	3	pre-amplifier RF input 1
VI2RF	4	pre-amplifier RF input 2
RRFA	5	external emitter resistor for pre-amplifier
GND1	6	ground 1 (0 V)
VO2RF	7	pre-amplifier RF output 2
VO1RF	8	pre-amplifier RF output 1
V _P	9	supply voltage
VI2MI	10	I channel mixer input 2
VI1MI	11	I channel mixer input 1
VI1MQ	12	Q channel mixer input 1
VI2MQ	13	Q channel mixer input 2
GND2	14	ground 2 (0 V)
COM	15	gyrator filter resistor; common line
RGYR	16	gyrator filter resistor
VO1MUL	17	frequency multiplier output 1
VO2MUL	18	frequency multiplier output 2
RMUL	19	external emitter resistor for frequency multiplier
TDC	20	DC test point; no external connection for normal operation
OSC	21	oscillator collector
GND3	22	ground 3 (0 V)
OSB	23	oscillator base; crystal input
OSE	24	oscillator emitter
TS	25	test switch; connection to ground for normal operation
BLI	26	battery LOW indicator output
DO	27	data output
RE	28	receiver enable input

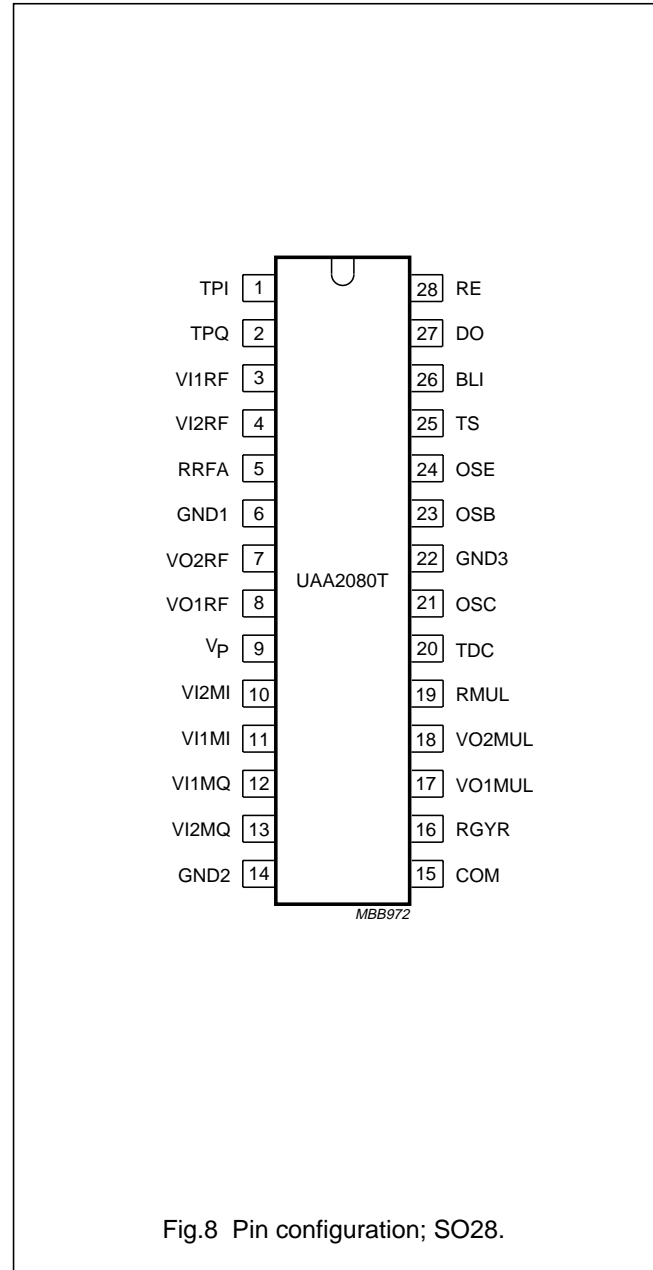


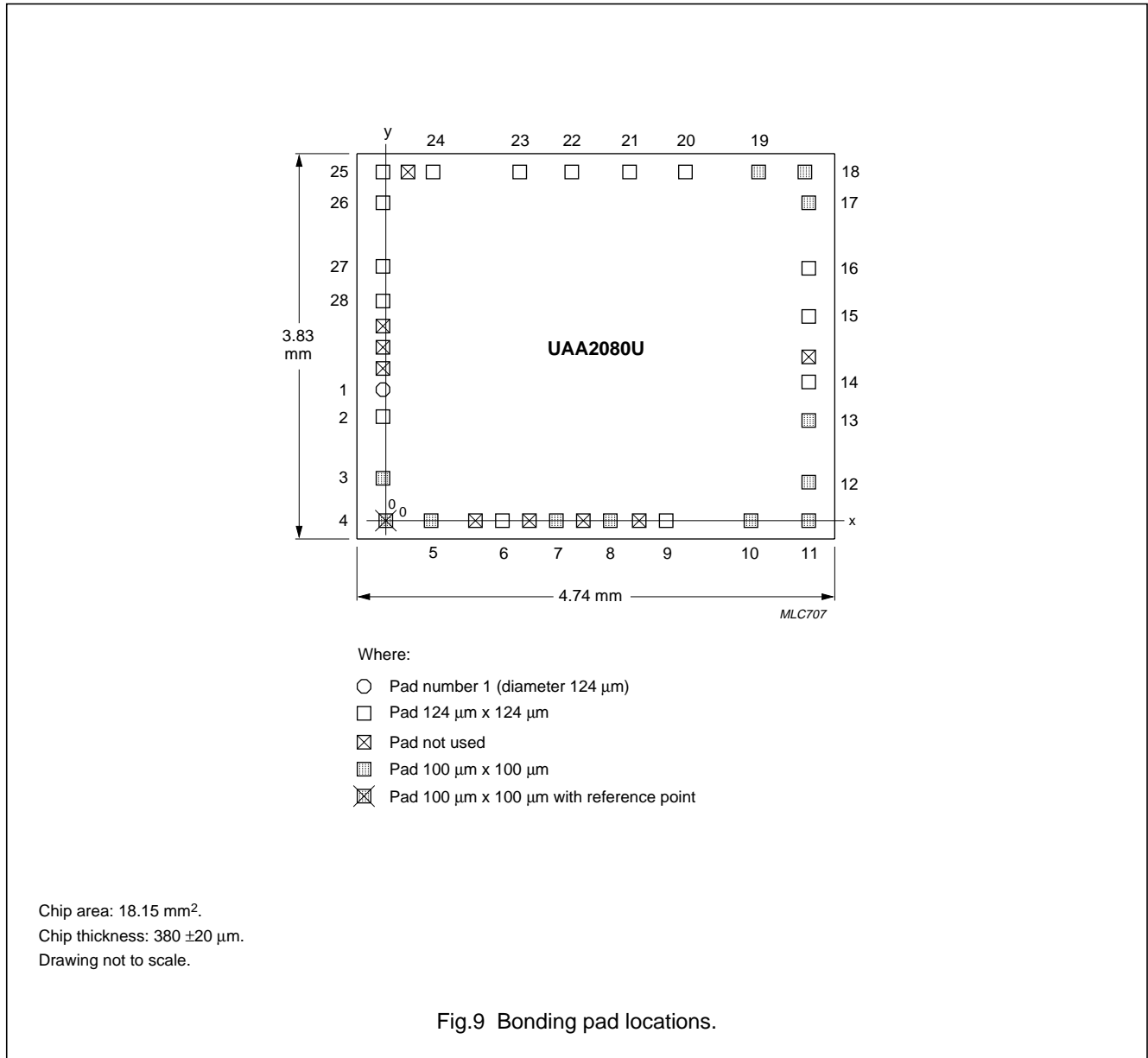
Fig.8 Pin configuration; SO28.

Advanced pager receiver

UAA2080

CHIP DIMENSIONS AND BONDING PAD LOCATIONS

See Table 4 for bonding pad description and locations for x/y co-ordinates.



Advanced pager receiver

UAA2080

Table 4 Bonding pad centre locations (dimensions in μm)

SYMBOL	PAD	DESCRIPTION	x	y
TPI	1	IF test point; I channel	-32	1296
TPQ	2	IF test point; Q channel	-32	1000
VI1RF	3	pre-amplifier RF input 1	-32	360
VI2RF	4	pre-amplifier RF input 2; note 1	0	0
RRFA	5	external emitter resistor for pre-amplifier	472	0
GND1	6	ground 1 (0 V)	1160	0
VO2RF	7	pre-amplifier RF output 2	1688	0
VO1RF	8	pre-amplifier RF output 1	2232	0
V _P	9	supply voltage	2760	0
VI2MI	10	I channel mixer input 2	3608	0
VI1MI	11	I channel mixer input 1	4216	0
VI1MQ	12	Q channel mixer input 1	4216	360
VI2MQ	13	Q channel mixer input 2	4216	960
GND2	14	ground 2 (0 V)	4216	1360
COM	15	gyrator filter resistor; common line	4216	2024
RGYR	16	gyrator filter resistor	4216	2496
VO1MUL	17	frequency multiplier output 1	4216	3136
VO2MUL	18	frequency multiplier output 2	4176	3456
RMUL	19	external emitter resistor for frequency multiplier	3668	3458
TDC	20	DC test point; no external connection for normal operation	2952	3456
OSC	21	oscillator collector	2312	3456
GND3	22	ground 3 (0 V)	1832	3456
OSB	23	oscillator base; crystal input	1328	3456
OSE	24	oscillator emitter	432	3456
TS	25	test switch; connection to ground for normal operation	-32	3456
BLI	26	battery LOW indicator output	-32	3136
DO	27	data output	-32	2512
RE	28	receiver enable input	-32	2152
		lower left corner of chip (typical values)	-278	-186

Note

1. All x/y co-ordinates are referenced to the centre of pad 4 (VI2RF); see Fig.9.

Advanced pager receiver

UAA2080

INTERNAL CIRCUITS

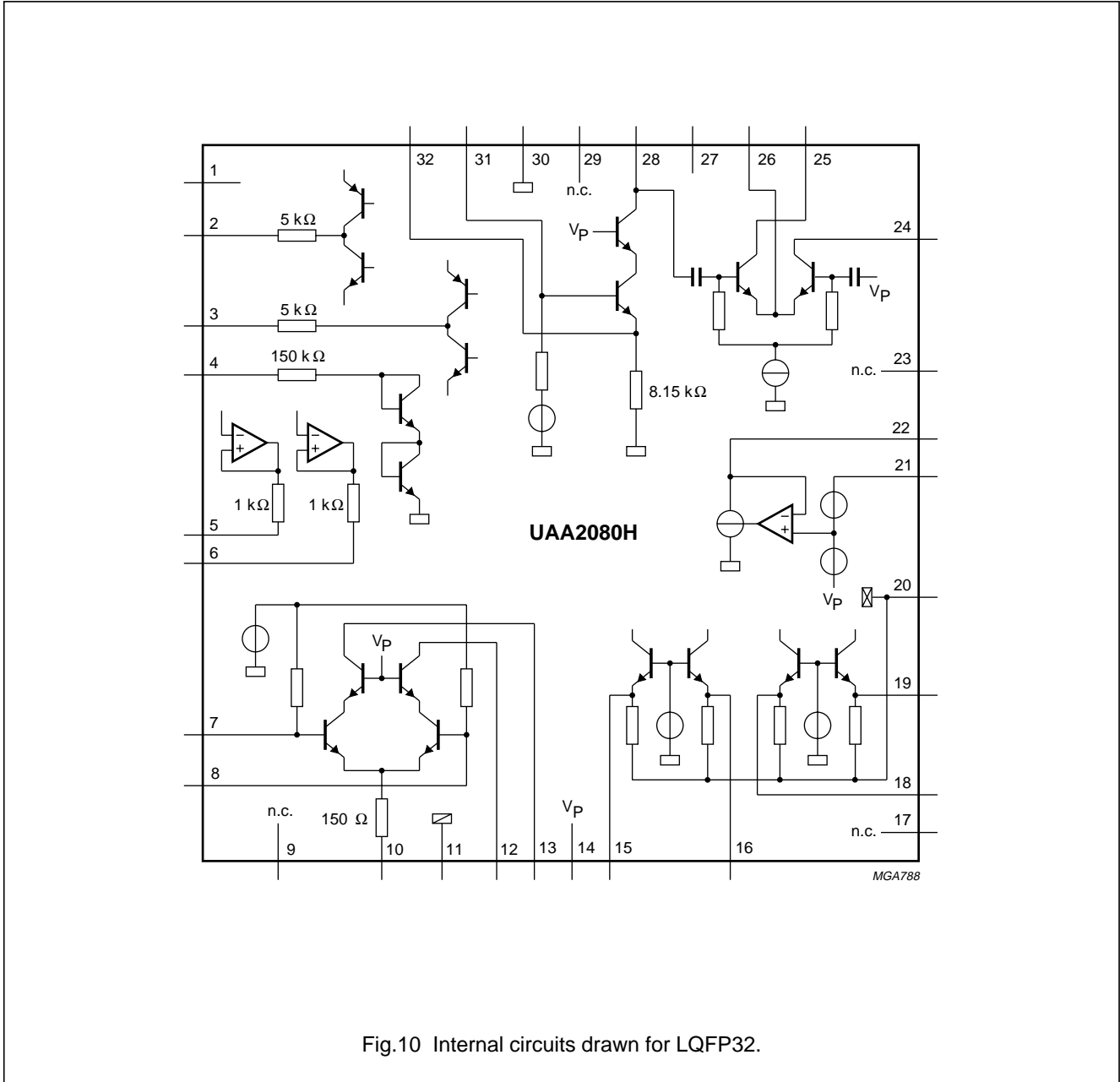


Fig.10 Internal circuits drawn for LQFP32.

Advanced paper receiver

UAA2080

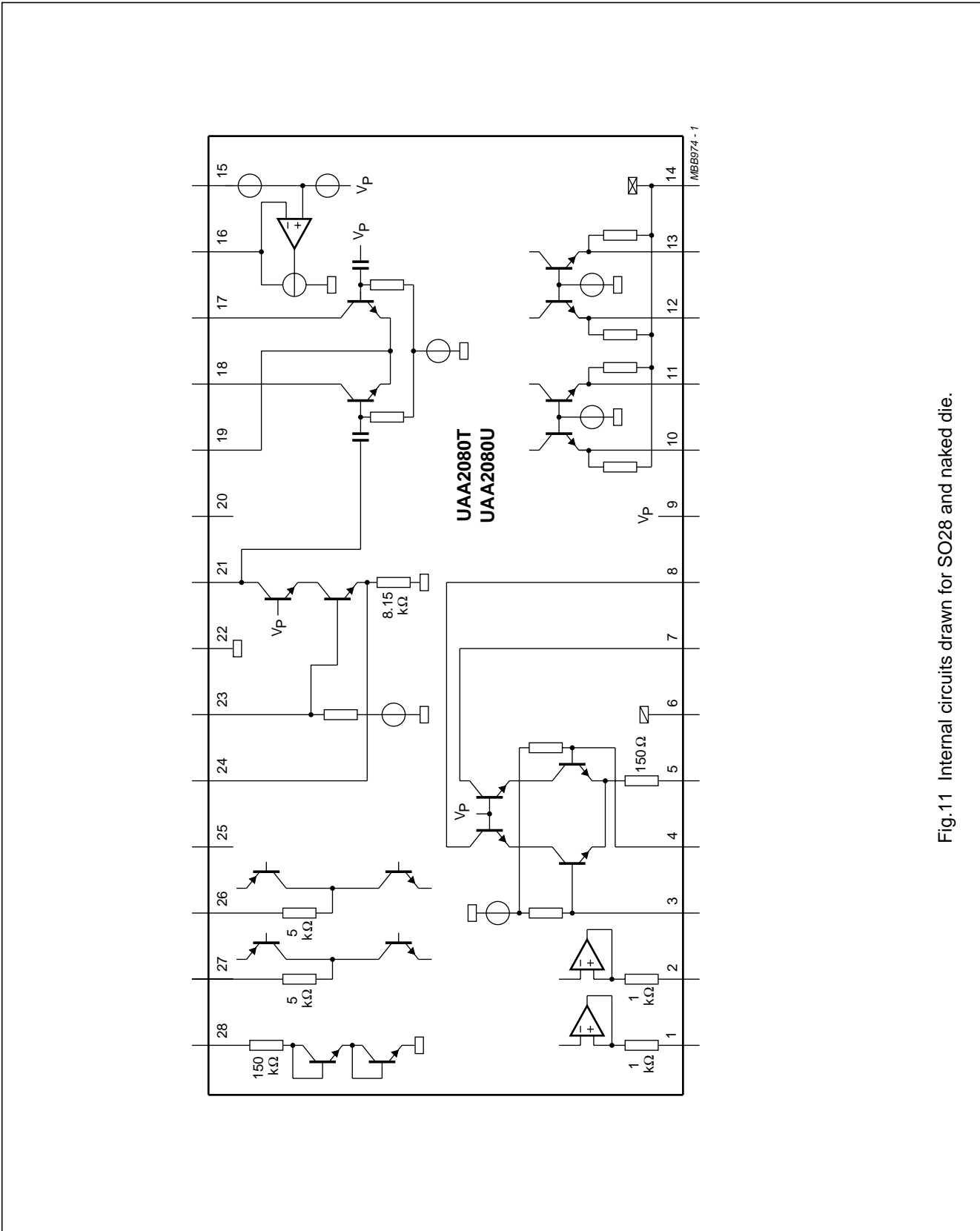


Fig.11 Internal circuits drawn for SO28 and naked die.

Advanced pager receiver

UAA2080

FUNCTIONAL DESCRIPTION

The complete circuit consists of the following functional blocks as shown in Figs 1 to 6.

Radio frequency amplifier

The RF amplifier is an emitter-coupled pair driving a balanced cascode stage, which drives an external balanced tuned circuit. Its bias current is set by an external 300 Ω resistor R1 to typically 770 μ A. With this bias current the optimum source resistance is 1.3 k Ω at VHF and 1.0 k Ω at UHF. At 930 MHz a higher bias current is required to achieve optimum gain. A value of 120 Ω is used for R1, which corresponds with a bias current of approximately 1.3 mA and an optimum source resistance of approximately 600 Ω . The capacitors C1 and C2 transform a 50 Ω source resistance to this optimum value. The output drives a tuned circuit with capacitive divider (C7, C8 and C9) to provide maximum power transfer to the phase-splitting network and the mixers.

Mixers

The double balanced mixers consist of common base input stages and upper switching stages driven from the frequency multiplier. The 300 Ω input impedance of each mixer acts together with external components (C10, C11; L4, L5 respectively) as phase shifter/power splitter to provide a differential phase shift of 90 degrees between the I channel and the Q channel. At 930 MHz all external phase shifter components are inductive (L10, L11; L4, L5).

Oscillator

The oscillator is based on a transistor in common collector configuration. It is followed by a cascode stage driving a tuned circuit which provides the signal for the frequency multiplier. The oscillator bias current (typically 250 μ A) is determined by the 1.8 k Ω external resistor R5. The oscillator frequency is controlled by an external 3rd overtone crystal in parallel resonance mode. External capacitors between base and emitter (C17) and from emitter to ground (C16) make the oscillator transistor appear as having a negative resistance for small signals; this causes the oscillator to start. Inductance L9 connected in parallel with capacitor C16 to the emitter of the oscillator transistor prevents oscillation at the fundamental frequency of the crystal.

The resonant circuit at output pin OSC selects the second harmonic of the oscillator frequency. In other applications a different multiplication factor may be chosen.

At 930 MHz an external oscillator circuit is required to provide sufficient local oscillator signal for the frequency multiplier.

Frequency multiplier

The frequency multiplier is an emitter-coupled pair driving an external balanced tuned circuit. Its bias current is set by external resistor R4 to typically 190 μ A (173 MHz), 350 μ A (470 MHz) and 1 mA (930 MHz). The oscillator signal is internally AC coupled to one input of the emitter-coupled pair while the other input is internally grounded via a capacitor. The frequency multiplier output signal between pins VO1MUL and VO2MUL drives the upper switching stages of the mixers. The bias voltage on pins VO1MUL and VO2MUL is set by external resistor R3 to allow sufficient voltage swing at the mixer outputs. The value of R3 depends on the operating frequency: 1.5 k Ω (173 MHz), 820 Ω (470 MHz) and 330 Ω (930 MHz).

Low noise amplifiers, active filters and gyrator filters

The low noise amplifiers ensure that the noise of the following stages does not affect the overall noise figure. The following active filters before the gyrator filters reduce the levels of large signals from adjacent channels. Internal AC couplings block DC offsets from the gyrator filter inputs.

The gyrator filters implement the transfer function of a 7th order elliptic filter. Their cut-off frequencies are determined by the 47 k Ω external resistor R2 between pins RGYR and COM. The gyrator filter output signals are available on IF test pins TPI and TPQ.

Limiters

The gyrator filter output signals are amplified in the limiter amplifiers to obtain IF signals with removed amplitude information.

Demodulator

The limiter amplifier output signals are fed to the demodulator. The demodulator output DO is going LOW or HIGH depending upon which of the input signals has a phase lead.

Advanced pager receiver

UAA2080

Battery LOW indicator

The battery LOW indicator senses the supply voltage and sets its output HIGH when the supply voltage is less than V_{th} (typically 2.05 V). Low battery warning is available at BLI.

Band gap reference

The whole chip can be powered-up and powered-down by enabling and disabling the band gap reference via the receiver enable pin RE.

LIMITING VALUES

In accordance with the Absolute Maximum Rating System (IEC 134).

Ground pins GND1, GND2 and GND3 connected together.

SYMBOL	PARAMETER	MIN.	MAX.	UNIT
V_P	supply voltage	-0.3	+8.0	V
V_{es}	electrostatic handling (note 1)			
	pins VI1RF and VI2RF	-1500	+2000	V
	pin RRFA	-500	+2000	V
	pins VO1RF and VO2RF	-2000	+250	V
	pins V_P and OSB	-500	+500	V
	pins OSC and OSE	-2000	+500	V
	other pins	-2000	+2000	V
T_{stg}	storage temperature	-55	+125	°C
T_{amb}	operating ambient temperature	-10	+70	°C

Note

1. Equivalent to discharging a 100 pF capacitor via a 1.5 k Ω resistor.

Advanced pager receiver

UAA2080

DC CHARACTERISTICS

$V_P = 2.05\text{ V}$; $T_{\text{amb}} = -10\text{ to }+70\text{ }^\circ\text{C}$ (typical values at $T_{\text{amb}} = 25\text{ }^\circ\text{C}$); measurements taken in test circuit Figs 1, 2, 3 or 4 with crystal at pin OSB disconnected; unless otherwise specified.

SYMBOL	PARAMETER	CONDITIONS	MIN.	TYP.	MAX.	UNIT
Supply						
V_P	supply voltage		1.9	2.05	3.5	V
I_P	supply current	$V_{RE} = \text{HIGH}$; $f_{i(\text{RF})} = 173\text{ and }470\text{ MHz}$	2.3	2.7	3.2	mA
		$V_{RE} = \text{HIGH}$; $f_{i(\text{RF})} = 930\text{ MHz}$	2.9	3.4	3.9	mA
$I_{P(\text{off})}$	stand-by current	$V_{RE} = \text{LOW}$	–	–	3	μA
Receiver enable input (pin RE)						
V_{IH}	HIGH level input voltage		1.4	–	V_P	V
V_{IL}	LOW level input voltage		0	–	0.3	V
I_{IH}	HIGH level input current	$V_{IH} = V_P = 3.5\text{ V}$	–	–	20	μA
V_{IL}	LOW level input current	$V_{IL} = 0\text{ V}$	0	–	–1.0	μA
Battery LOW indicator output (pin BLI)						
V_{OH}	HIGH level output voltage	$V_P < V_{th}$; $I_{BLI} = -10\text{ } \mu\text{A}$	$V_P - 0.5$	–	–	V
V_{OL}	LOW level output voltage	$V_P > V_{th}$; $I_{BLI} = +10\text{ } \mu\text{A}$	–	–	0.5	V
V_{th}	voltage threshold for battery LOW indicator		1.95	2.05	2.15	V
Demodulator output (pin DO)						
V_{OH}	HIGH level output voltage	$I_{DO} = -10\text{ } \mu\text{A}$	$V_P - 0.5$	–	–	V
V_{OL}	LOW level output voltage	$I_{DO} = +10\text{ } \mu\text{A}$	–	–	0.5	V

Advanced pager receiver

UAA2080

AC CHARACTERISTICS (173 MHz)

$V_P = 2.05$ V; $T_{amb} = 25$ °C; test circuit Figs 1 or 2; $f_{i(RF)} = 172.941$ MHz with ± 4.0 kHz deviation; 1200 baud pseudo random bit sequence modulation ($t_r = 250 \pm 25$ μ s measured between 10% and 90% of voltage amplitude) and 20 kHz channel spacing; unless otherwise specified.

SYMBOL	PARAMETER	CONDITIONS	MIN.	TYP.	MAX.	UNIT
Radio frequency input						
$P_{i(ref)}$	input sensitivity ($P_{i(ref)}$ is the maximum available power at the RF input of the test board)	$BER \leq 3/100$; note 1	–	–126.5	–123.5	dBm
		$T_{amb} = -10$ to $+70$ °C; note 2	–	–	–120.5	dBm
		$V_P = 1.9$ V	–	–	–117.5	dBm
Mixers to demodulator						
α_{acs}	adjacent channel selectivity	$T_{amb} = 25$ °C	69	72	–	dB
		$T_{amb} = -10$ to $+70$ °C	67	–	–	dB
α_{ci}	IF filter channel imbalance		–	–	2	dB
α_c	co-channel rejection		–	4	7	dB
α_{sp}	spurious immunity		50	60	–	dB
α_{im}	intermodulation immunity		55	60	–	dB
α_{bl}	blocking immunity	$\Delta f > \pm 1$ MHz; note 3	78	85	–	dB
f_{offset}	frequency offset range (3 dB degradation in sensitivity)	deviation $f = \pm 4.0$ kHz	± 2.0	–	–	kHz
		deviation $f = \pm 4.5$ kHz	± 2.5	–	–	kHz
Δf_{dev}	deviation range (3 dB degradation in sensitivity)		2.5	–	7.0	kHz
t_{on}	receiver turn-on time	data valid after setting RE input HIGH; note 4	–	–	5	ms

Notes

1. The bit error rate BER is measured using the test facility shown in Fig.13. Note that the BER test facility contains a digital input filter equivalent to the one used in the PCA5000A, PCF5001 and PCD5003 POCSAG decoders.
2. Capacitor C16 requires re-adjustment to compensate temperature drift.
3. Δf is the frequency offset between the required signal and the interfering signal.
4. Turn-on time is defined as the time from pin RE going HIGH to the reception of valid data on output pin DO. Turn-on time is measured using an external oscillator (turn-on time using the internal oscillator is dependent upon the oscillator circuitry).

Advanced pager receiver

UAA2080

AC CHARACTERISTICS (470 MHz)

$V_P = 2.05$ V; $T_{amb} = 25$ °C; test circuit Figs 3 or 4; $f_{i(RF)} = 469.950$ MHz with ± 4.0 kHz deviation; 1200 baud pseudo random bit sequence modulation ($t_r = 250 \pm 25$ μ s measured between 10% and 90% of voltage amplitude) and 20 kHz channel spacing; unless otherwise specified.

SYMBOL	PARAMETER	CONDITIONS	MIN.	TYP.	MAX.	UNIT
Radio frequency input						
$P_{i(ref)}$	input sensitivity ($P_{i(ref)}$ is the maximum available power at the RF input of the test board)	$BER \leq \frac{3}{100}$; note 1	–	–124.5	–121.5	dBm
		$T_{amb} = -10$ to $+70$ °C; note 2	–	–	–118.5	dBm
		$V_P = 1.9$ V	–	–	–115.5	dBm
Mixer input						
$P_{i(mix)}$	input sensitivity	$BER \leq \frac{3}{100}$; note 3	–	–115.0	–110.0	dBm
Mixers to demodulator						
α_{acs}	adjacent channel selectivity	$T_{amb} = 25$ °C	67	70	–	dB
		$T_{amb} = -10$ to $+70$ °C	65	–	–	dB
α_{ci}	IF filter channel imbalance		–	–	2	dB
α_c	co-channel rejection		–	4	7	dB
α_{sp}	spurious immunity		50	60	–	dB
α_{im}	intermodulation immunity		55	60	–	dB
α_{bl}	blocking immunity	$\Delta f > \pm 1$ MHz; note 4	75	82	–	dB
f_{offset}	frequency offset range (3 dB degradation in sensitivity)	deviation $f = \pm 4.0$ kHz	± 2.0	–	–	kHz
		deviation $f = \pm 4.5$ kHz	± 2.5	–	–	kHz
Δf_{dev}	deviation range (3 dB degradation in sensitivity)		2.5	–	7.0	kHz
t_{on}	receiver turn-on time	data valid after setting RE input HIGH; note 5	–	–	5	ms

Notes

1. The bit error rate BER is measured using the test facility shown in Fig.13. Note that the BER test facility contains a digital input filter equivalent to the one used in the PCA5000A, PCF5001 and PCD5003 POCSAG decoders.
2. Capacitor C16 requires re-adjustment to compensate temperature drift.
3. Test circuit Fig.5. $P_{i(mix)}$ is the maximum available power at the input of the test board. The bit error rate BER is measured using the test facility shown in Fig.13.
4. Δf is the frequency offset between the required signal and the interfering signal.
5. Turn-on time is defined as the time from pin RE going HIGH to the reception of valid data on output pin DO. Turn-on time is measured using an external oscillator (turn-on time using the internal oscillator is dependent upon the oscillator circuitry).

Advanced pager receiver

UAA2080

AC CHARACTERISTICS (930 MHz)

$V_P = 2.05$ V; $T_{amb} = 25$ °C; test circuit Fig.6 (note 1); $f_{i(RF)} = 930.500$ MHz with ± 4.0 kHz deviation; 1200 baud pseudo random bit sequence modulation ($t_r = 250 \pm 25$ μ s measured between 10% and 90% of voltage amplitude) and 20 kHz channel spacing; unless otherwise specified.

SYMBOL	PARAMETER	CONDITIONS	MIN.	TYP.	MAX.	UNIT
Radio frequency input						
$P_{i(ref)}$	input sensitivity ($P_{i(ref)}$ is the maximum available power at the RF input of the test board)	$BER \leq 3/100$; note 2	–	–120.0	–114.0	dBm
		$V_P = 1.9$ V	–	–	–108.0	dBm
Mixers to demodulator						
α_{acs}	adjacent channel selectivity	$T_{amb} = 25$ °C	60	69	–	dB
α_c	co-channel rejection		–	5	10	dB
α_{sp}	spurious immunity		40	60	–	dB
α_{im}	intermodulation immunity		53	60	–	dB
α_{bl}	blocking immunity	$\Delta f > \pm 1$ MHz; note 3	65	74	–	dB
f_{offset}	frequency offset range (3 dB degradation in sensitivity)	deviation $f = \pm 4.0$ kHz	± 2.0	–	–	kHz
		deviation $f = \pm 4.5$ kHz	± 2.5	–	–	kHz
Δf_{dev}	deviation range (3 dB degradation in sensitivity)		2.5	–	7.0	kHz
t_{on}	receiver turn-on time	data valid after setting RE input HIGH; note 4	–	–	5	ms

Notes

1. The external oscillator signal $V_{i(OSC)}$ has a frequency of $f_{OSC} = 310.1667$ MHz and a level of -15 dBm.
2. The bit error rate BER is measured using the test facility shown in Fig.13. Note that the BER test facility contains a digital input filter equivalent to the one used in the PCA5000A, PCF5001 and PCD5003 POCSAG decoders.
3. Δf is the frequency offset between the required signal and the interfering signal.
4. Turn-on time is defined as the time from pin RE going HIGH to the reception of valid data on output pin DO. Turn-on time is measured using an external oscillator (turn-on time using the internal oscillator is dependent upon the oscillator circuitry).

Advanced pager receiver

UAA2080

TEST INFORMATION

Tuning procedure for AC tests

1. Turn on the signal generator: $f_{\text{gen}} = f_{i(\text{RF})} + 4 \text{ kHz}$, no modulation, $V_{i(\text{RF})} = 1 \text{ mV (RMS)}$.
2. Measure the IF with a counter connected to test pin TPI. Tune C16 to set the crystal oscillator to achieve $f_{\text{IF}} = 4 \text{ kHz}$. Change the generator frequency to $f_{\text{gen}} = f_{i(\text{RF})} - 4 \text{ kHz}$ and check that f_{IF} is also 4 kHz. For a received input frequency $f_{i(\text{RF})} = 172.941 \text{ MHz}$ the crystal frequency is $f_{\text{XTAL}} = 57.647 \text{ MHz}$, while for $f_{i(\text{RF})} = 469.950 \text{ MHz}$ the crystal frequency is $f_{\text{XTAL}} = 78.325 \text{ MHz}$. For a received input frequency $f_{i(\text{RF})} = 930.500 \text{ MHz}$ an external oscillator signal must be used with $f_{i(\text{OSC})} = 310.1667 \text{ MHz}$ and a level of -15 dBm (for definition of crystal frequency, see Table 1).
3. Set the signal generator to nominal frequency ($f_{i(\text{RF})}$) and turn on the modulation deviation $\pm 4.0 \text{ kHz}$, 600 Hz square wave modulation, $V_{i(\text{RF})} = 1 \text{ mV (RMS)}$. Note that the RF signal should be reduced in the following tests, as the receiver is tuned, to ensure $V_{o(\text{IF})} = 10 \text{ to } 50 \text{ mV (p-p)}$ on test pins TPI or TPQ.
4. Tune C15 (oscillator output circuit) and C12 (frequency multiplier output) to obtain a peak audio voltage on pin TPI.
5. Tune C3 and C6 (RF input and mixer input) to obtain a peak audio voltage on pin TPI. When testing the mixer input sensitivity tune C23 instead of C3 and C6 (test circuit Fig.5).
6. Check that the output signal on pin TPQ is within 3 dB in amplitude and at $90^\circ (\pm 20^\circ)$ relative phase of the signal on pin TPI.
7. Check that data signal appears on output pin DO and proceed with the AC test.

AC test conditions

Table 5 Definitions for AC test conditions (see Table 6)

SIGNAL	DESCRIPTION
Modulated test signal 1	
Frequency	172.941, 469.950 or 930.500 MHz
Deviation	$\pm 4.0 \text{ kHz}$
Modulation	1200 baud pseudo random bit sequence
Rise time	$250 \pm 25 \mu\text{s}$ (between 10% and 90% of final value)
Modulated test signal 2	
Deviation	$\pm 2.4 \text{ kHz}$
Modulation	400 Hz sinewave
Other definitions	
f_1	frequency of signal generator 1
f_2	frequency of signal generator 2
f_3	frequency of signal generator 3
Δf_{cs}	channel spacing (20 kHz)
P_1	maximum available power from signal generator 1 at the test board input
P_2	maximum available power from signal generator 2 at the test board input
P_3	maximum available power from signal generator 3 at the test board input
$P_{i(\text{ref})}$	maximum available power at the test board input to give a Bit Error Rate (BER) $\leq \frac{3}{100}$ for the modulated test signal 1, in the absence of interfering signals and under the conditions as specified in Chapters "AC characteristics (173 MHz)", "AC characteristics (470 MHz)" and "AC characteristics (930 MHz)"

Advanced pager receiver

UAA2080

Table 6 AC test conditions (notes 1 and 2)

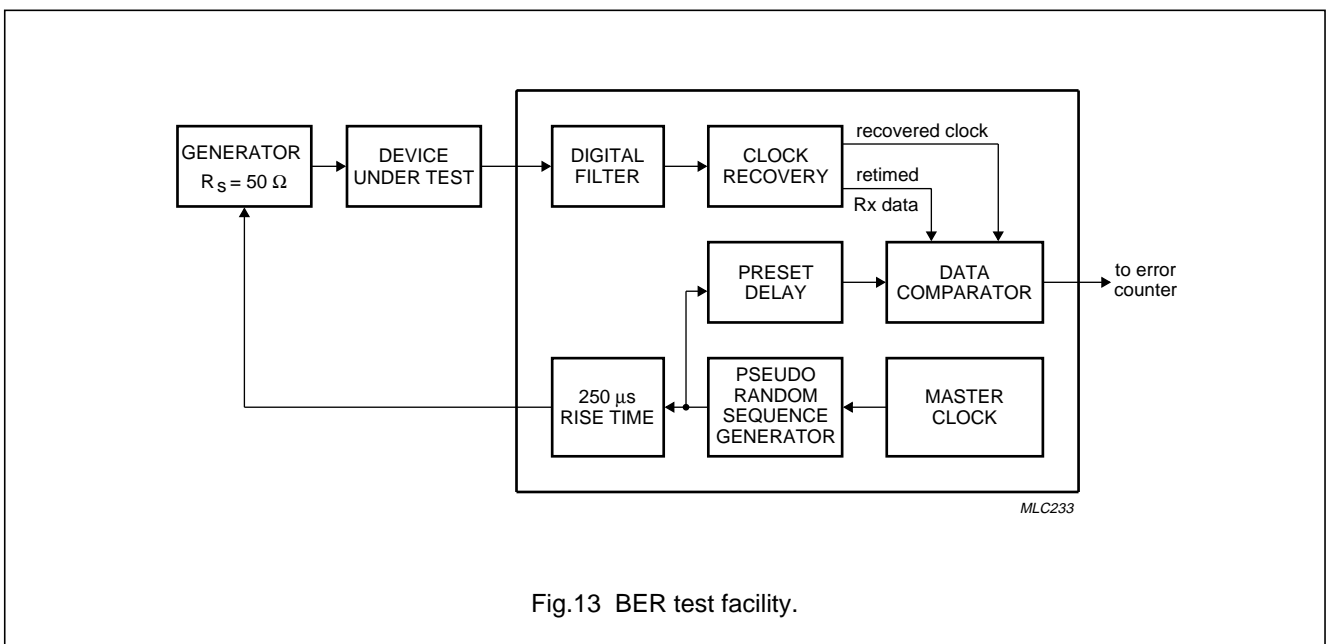
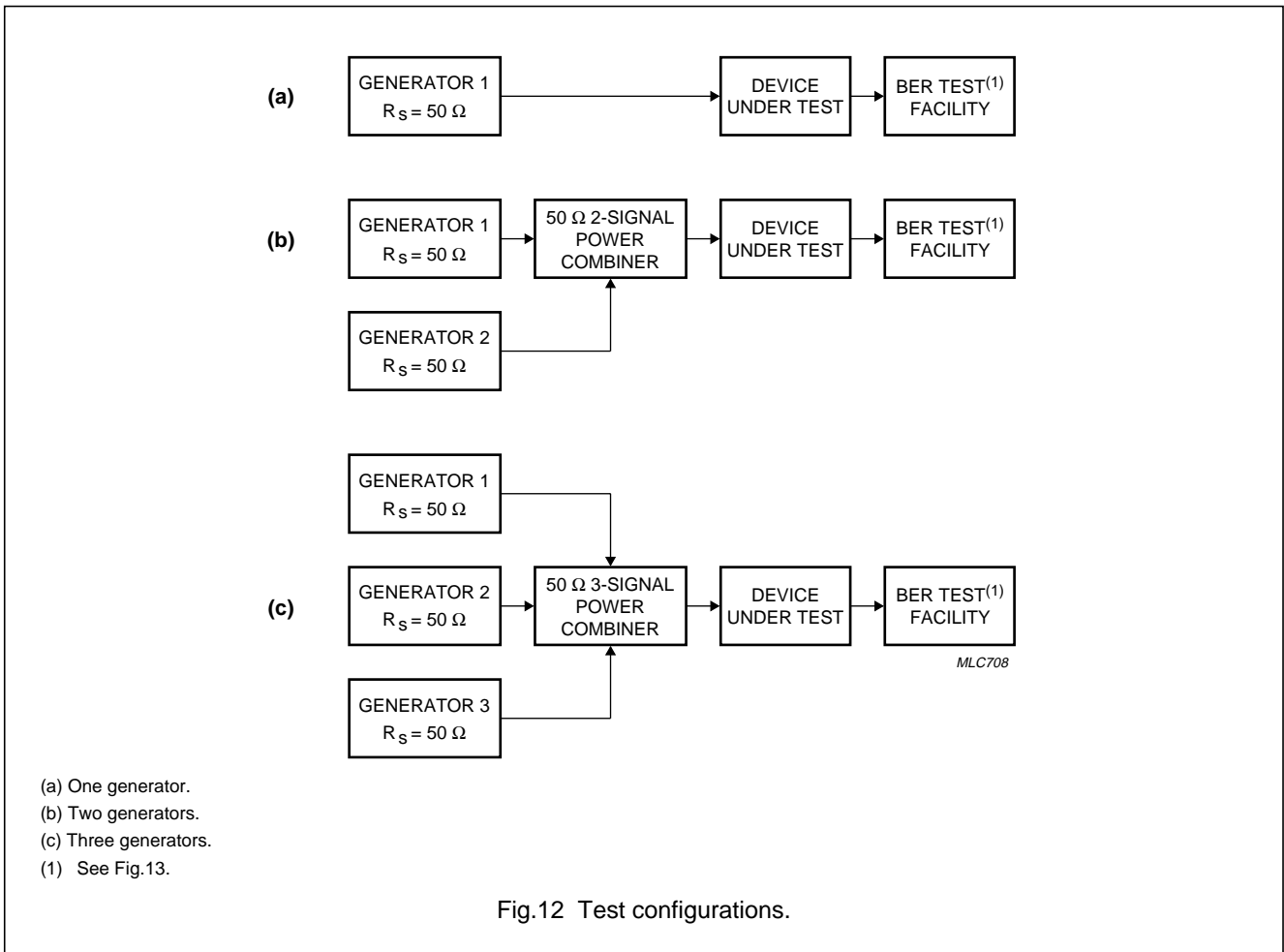
SYMBOL	PARAMETER	CONDITIONS	TEST SIGNALS
α_a	adjacent channel selectivity; Fig.12(b)	$f_2 = f_1 \pm \Delta f_{CS}$ generator 1: modulated test signal 1 generator 2: modulated test signal 2	$P_1 = P_{i(\text{ref})} + 3 \text{ dB}$ $P_2 = P_1 + \alpha_{a(\text{min})}$
α_c	co-channel rejection; Fig.12(b)	$f_2 = f_1 \pm \text{up to } 3 \text{ kHz}$ generator 1: modulated test signal 1 generator 2: modulated test signal 2	$P_1 = P_{i(\text{ref})} + 3 \text{ dB}$ $P_2 = P_1 - \alpha_{c(\text{max})}$
α_{sp}	spurious immunity; Fig.12(b)	$f_2 = 100 \text{ kHz to } 2 \text{ GHz}$ generator 1: modulated test signal 1 generator 2: modulated test signal 2	$P_1 = P_{i(\text{ref})} + 3 \text{ dB}$ $P_2 = P_1 + \alpha_{sp(\text{min})}$
α_{im}	intermodulation immunity; Fig.12(c)	$f_2 = f_1 \pm \Delta f_{CS}; f_3 = f_1 \pm 2\Delta f_{CS}$ generator 1: modulated test signal 1 generator 2: unmodulated generator 3: modulated test signal 2	$P_1 = P_{i(\text{ref})} + 3 \text{ dB}$ $P_2 = P_1 + \alpha_{im(\text{min})}$ $P_3 = P_2$
α_{bl}	blocking immunity; Fig.12(b)	$f_2 = f_1 \pm 1 \text{ MHz}$ generator 1: modulated test signal 1 generator 2: modulated test signal 2	$P_1 = P_{i(\text{ref})} + 3 \text{ dB}$ $P_2 = P_1 + \alpha_{bl(\text{min})}$
f_{offset}	frequency offset range; Fig.12(a)	deviation = $\pm 4.0 \text{ kHz}$, $f_1 = f_{i(\text{RF})} \pm 2 \text{ kHz}$ ($f_{\text{offset}(\text{min})}$) generator 1: modulated test signal 1	$P_1 = P_{i(\text{ref})} + 3 \text{ dB}$
Δf_{dev}	deviation range; Fig.12(a)	deviation = $\pm 2.5 \text{ to } \pm 7 \text{ kHz}$; ($\Delta f_{\text{dev}(\text{min})}$ to $\Delta f_{\text{dev}(\text{max})}$) generator 1: modulated test signal 1	$P_1 = P_{i(\text{ref})} + 3 \text{ dB}$
t_{on}	receiver turn-on time; Fig.12(a)	note 3 generator 1: modulated test signal 1	$P_1 = P_{i(\text{ref})} + 10 \text{ dB}$

Notes

1. The tests are executed without load on pins TPI and TPQ.
2. All minimum and maximum values correspond to a bit error rate (BER) $\leq \frac{3}{100}$ in the wanted signal (P_1).
3. The BER measurement is started 5 ms ($t_{\text{on}(\text{max})}$) after V_{RE} goes HIGH; BER is then measured for 100 bits (BER $\leq \frac{3}{100}$).

Advanced pager receiver

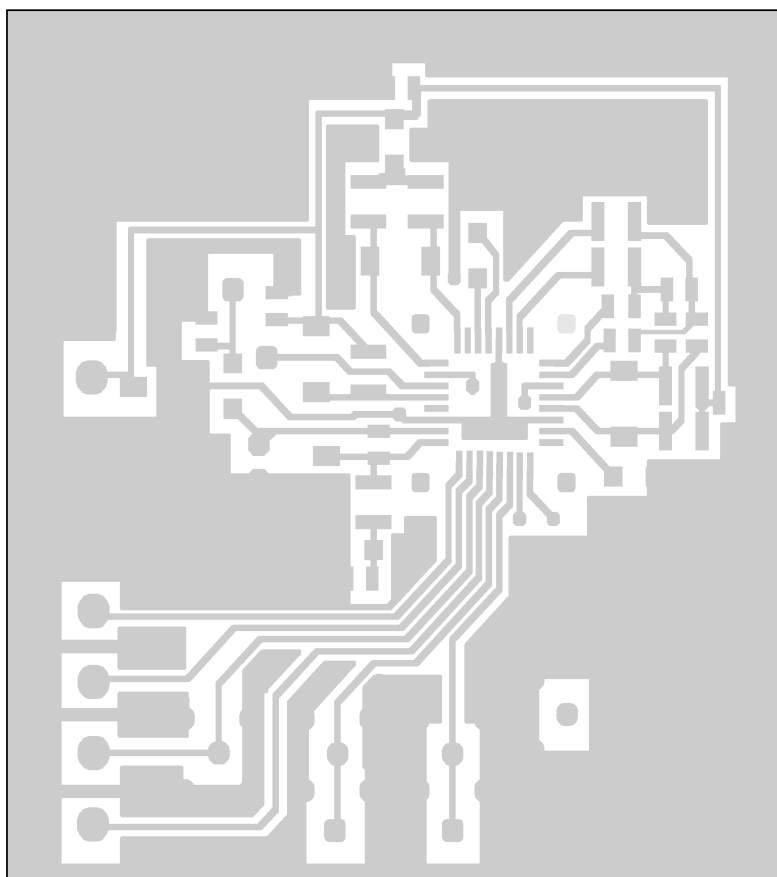
UAA2080



Advanced pager receiver

UAA2080

PRINTED-CIRCUIT BOARDS

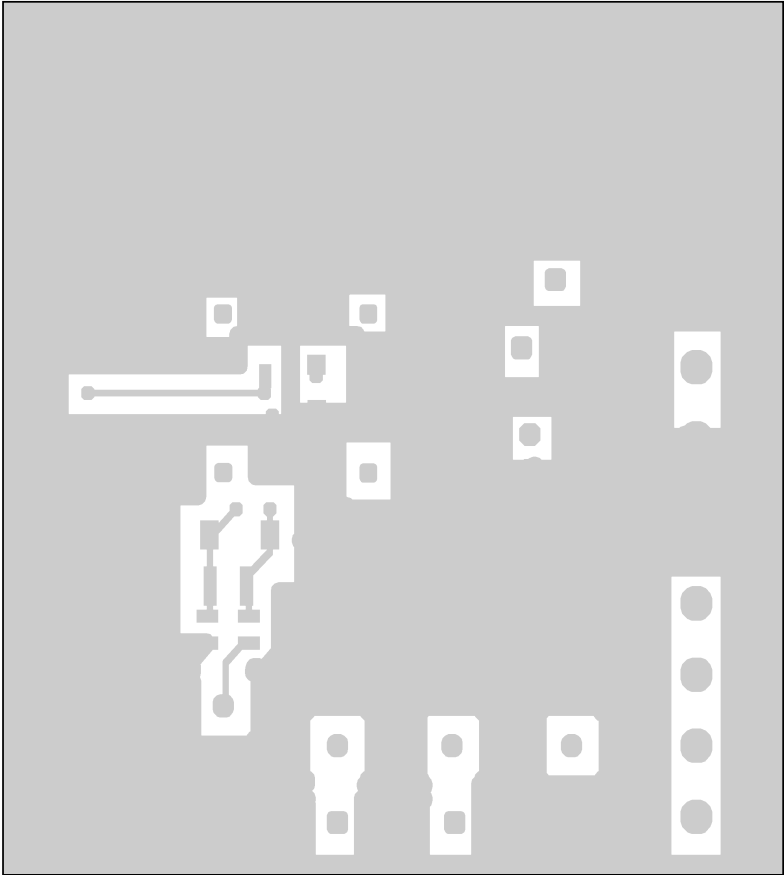


MBD562

Fig.14 PCB top view for LQFP32; test circuit Figs 1 and 3.

Advanced pager receiver

UAA2080

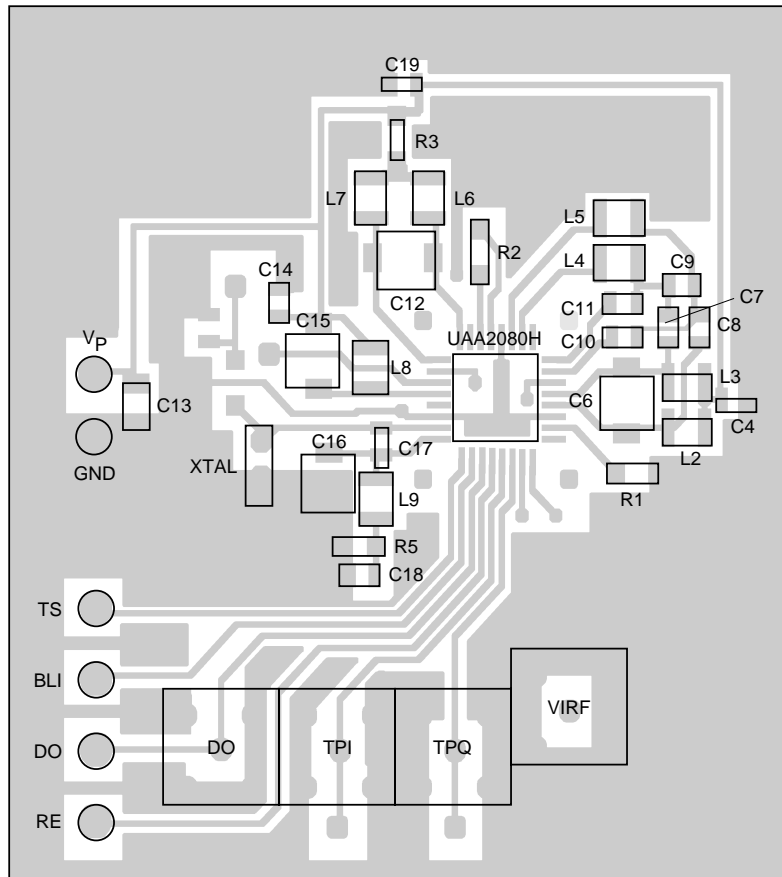


MBD561

Fig.15 PCB bottom view for LQFP32; test circuit Figs 1 and 3.

Advanced pager receiver

UAA2080



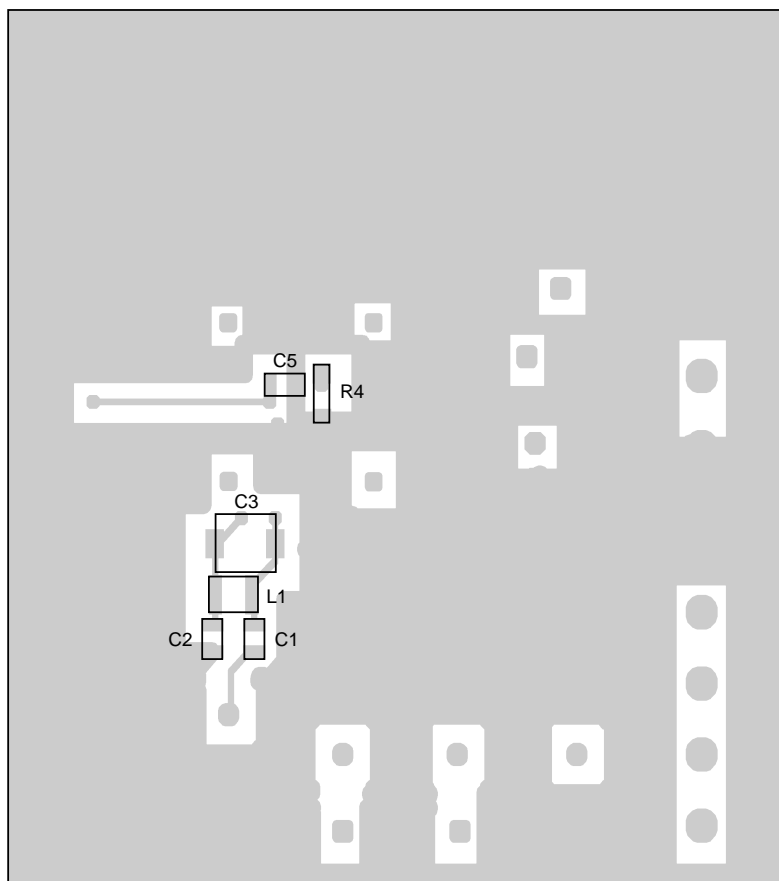
MLC709

$V_{EE} = GND; V_C = V_P.$

Fig.16 PCB top view with components for LQFP32; test circuit Fig.3.

Advanced pager receiver

UAA2080

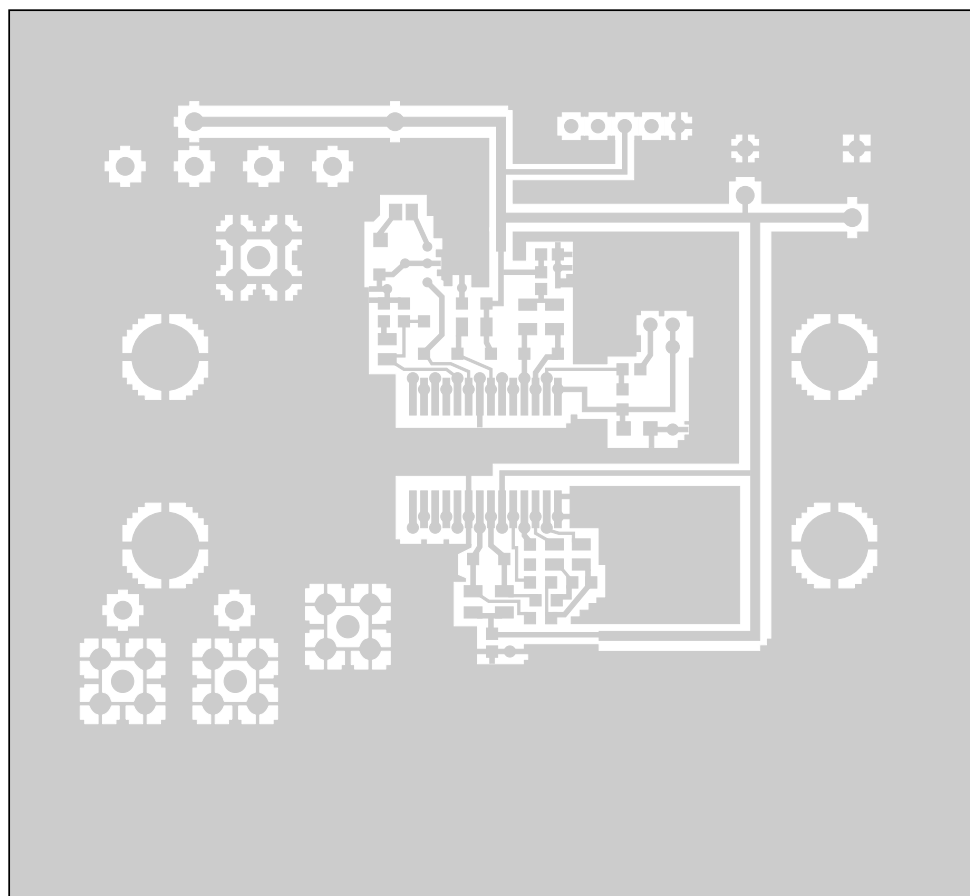


MLC235

Fig.17 PCB bottom view with components for LQFP32; test circuit Fig.3.

Advanced pager receiver

UAA2080

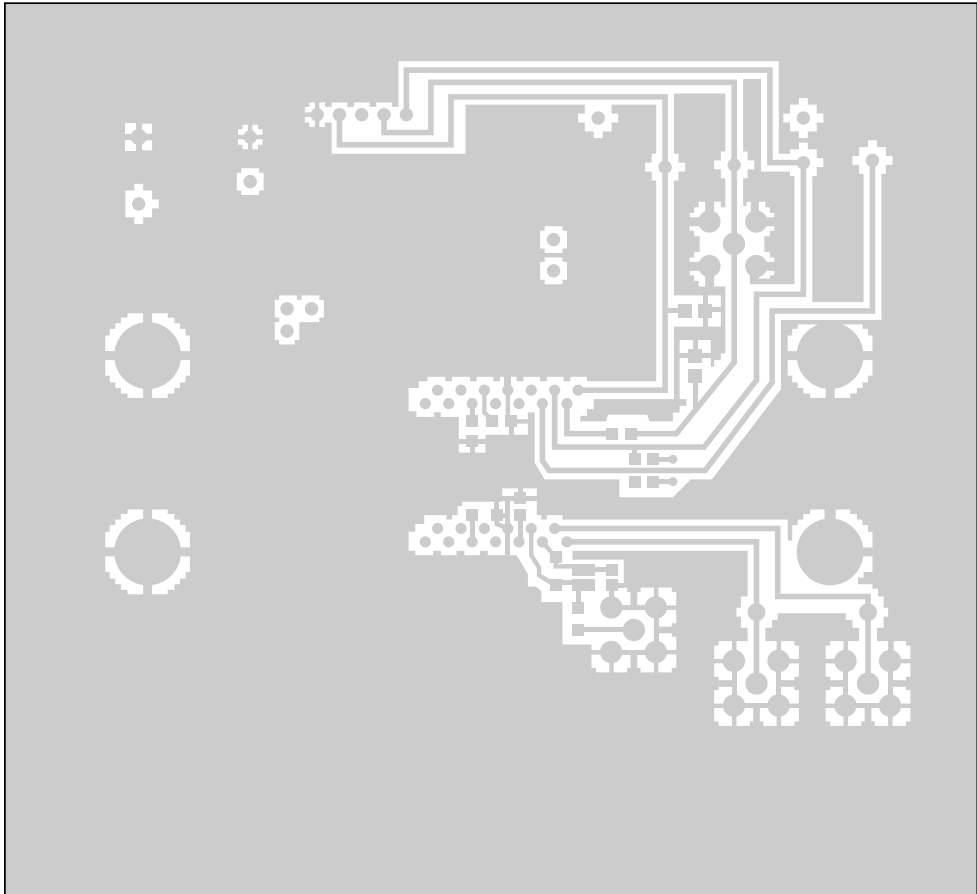


MBD565

Fig.18 PCB top view for SO28; test circuit Figs 2 and 4.

Advanced pager receiver

UAA2080

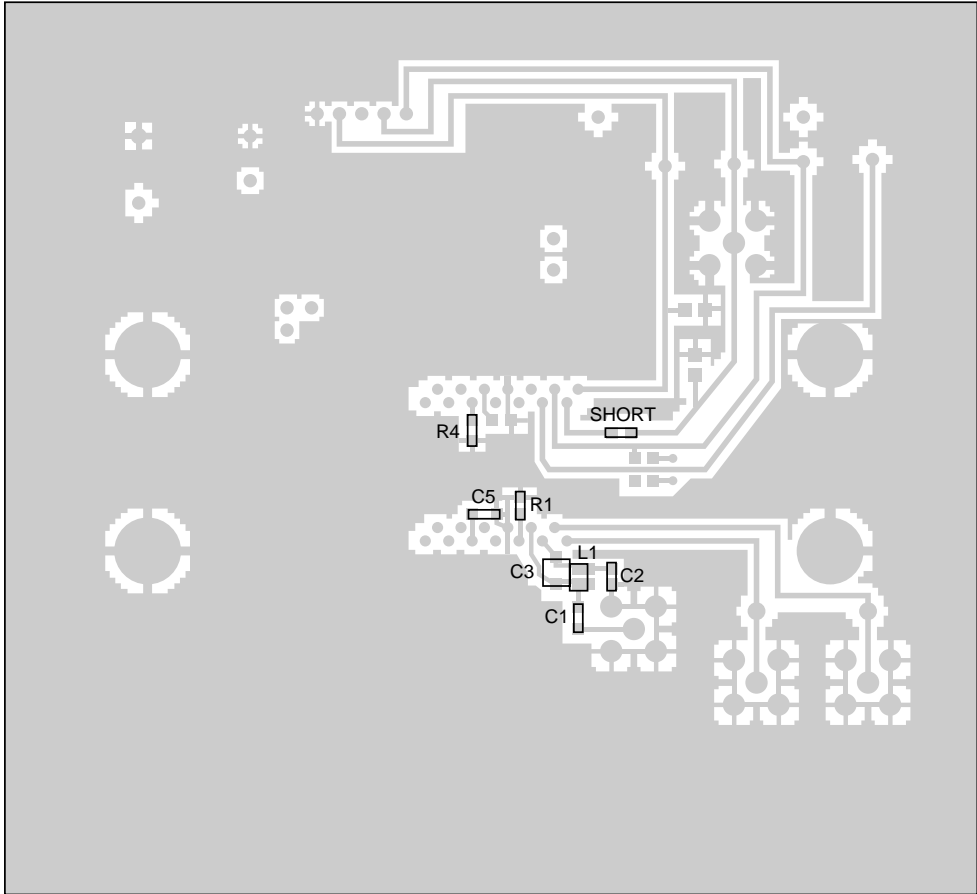


MBD567

Fig.19 PCB bottom view for SO28; test circuit Figs 2 and 4.

Advanced pager receiver

UAA2080



MBD568

Fig.21 PCB bottom view with components for SO28; test circuit Fig.4.

Advanced pager receiver

UAA2080

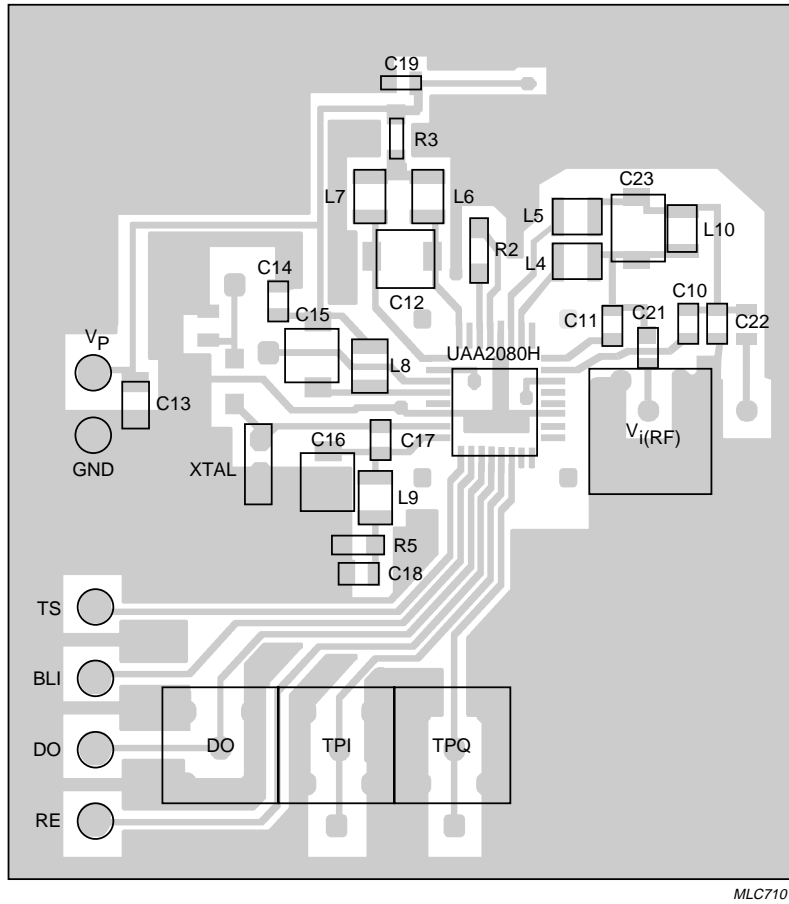
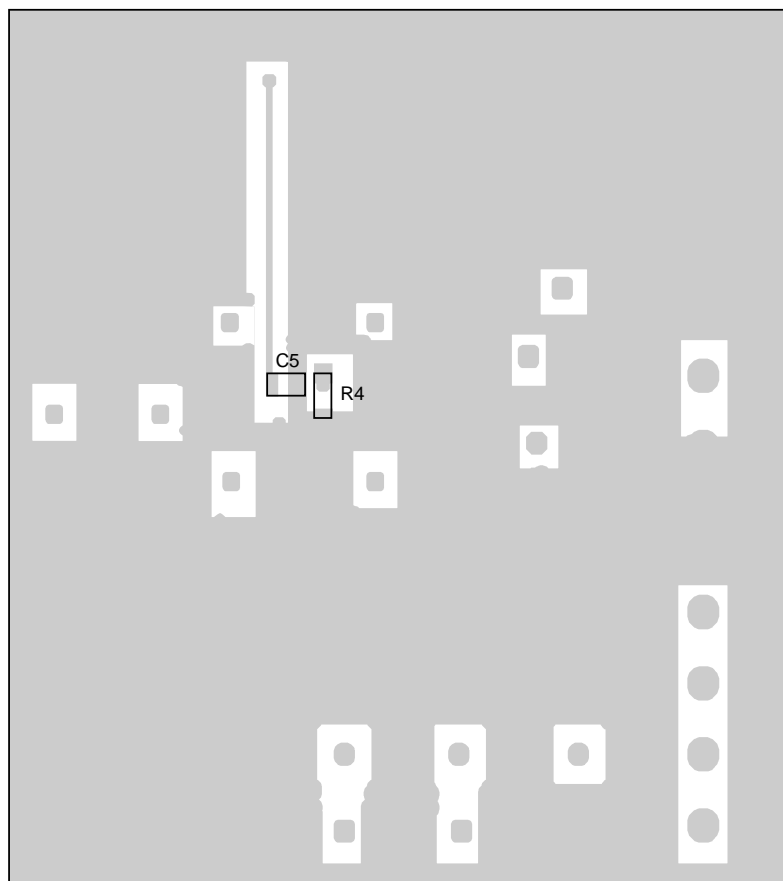


Fig.22 PCB top view with components for LQFP32; test circuit Fig.5.

Advanced pager receiver

UAA2080



MLC237

Fig.23 PCB bottom view with components for LQFP32; test circuit Fig.5.

Advanced pager receiver

UAA2080

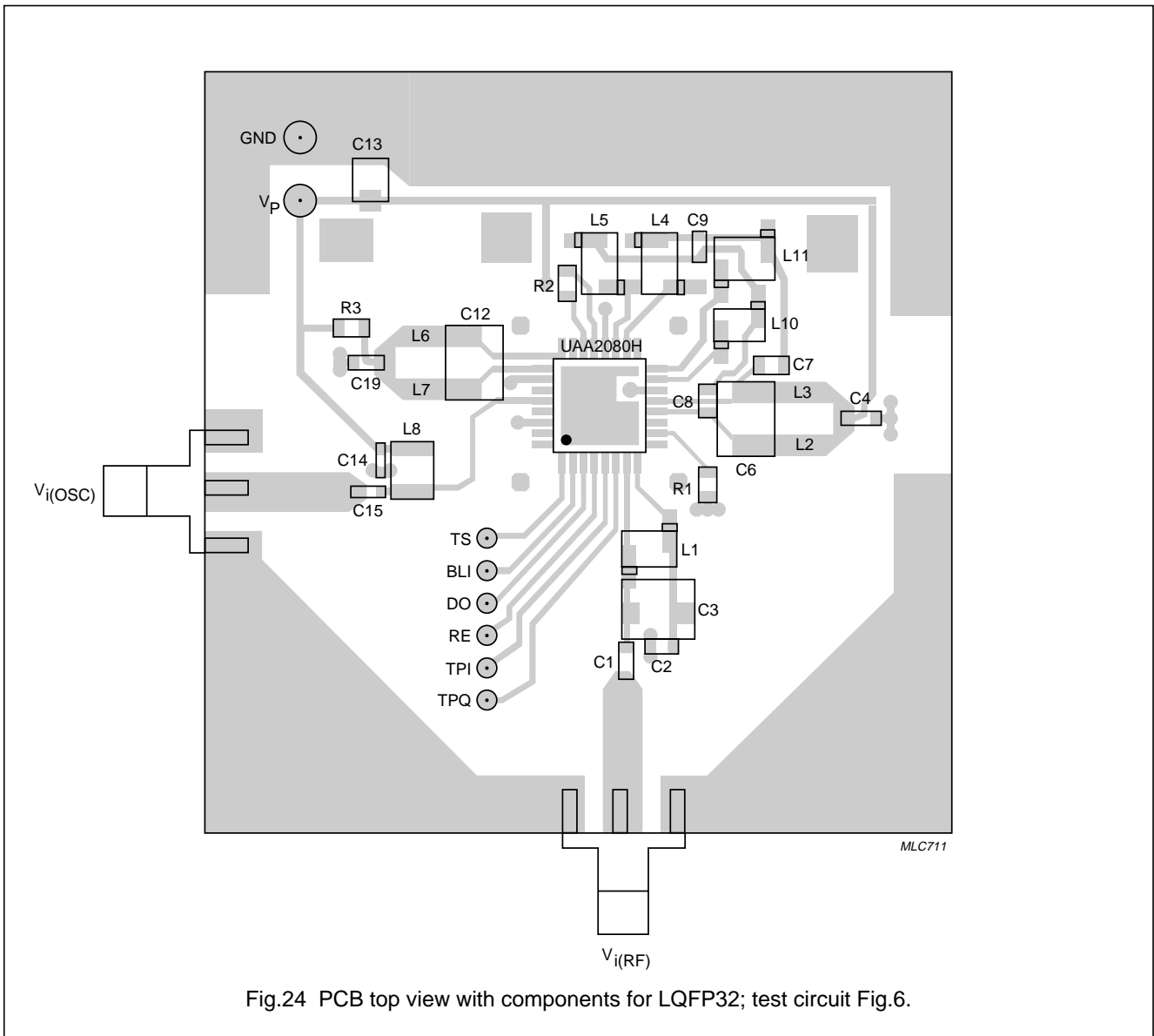
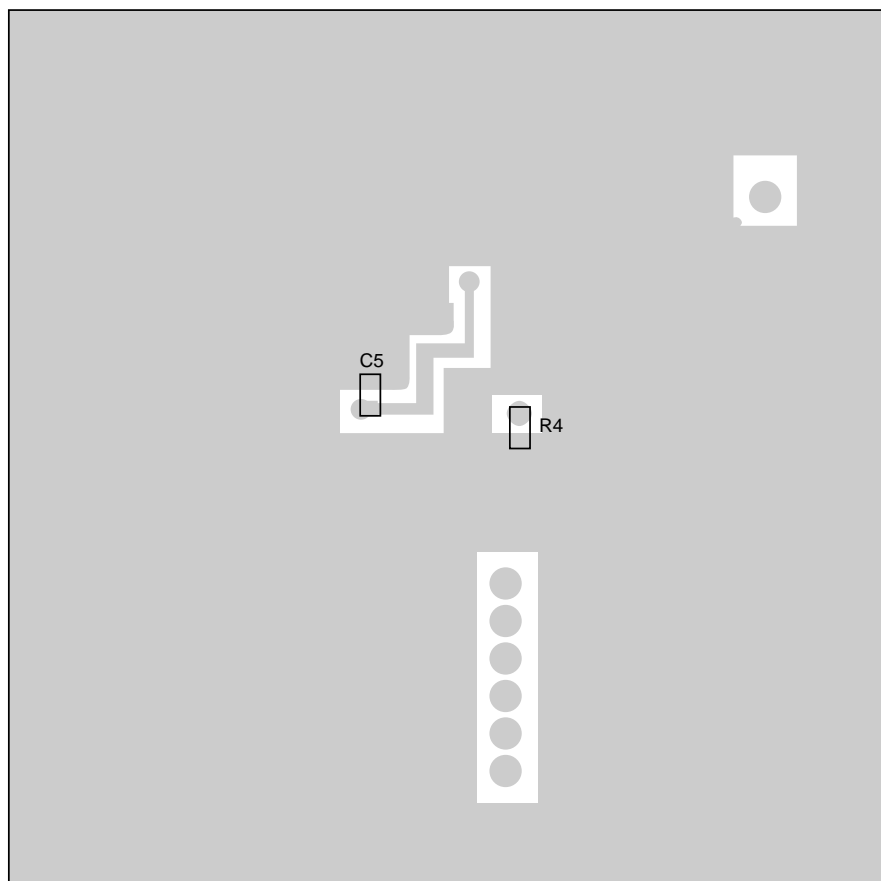


Fig.24 PCB top view with components for LQFP32; test circuit Fig.6.

Advanced pager receiver

UAA2080



MLC239

Fig.25 PCB bottom view with components for LQFP32; test circuit Fig.6.

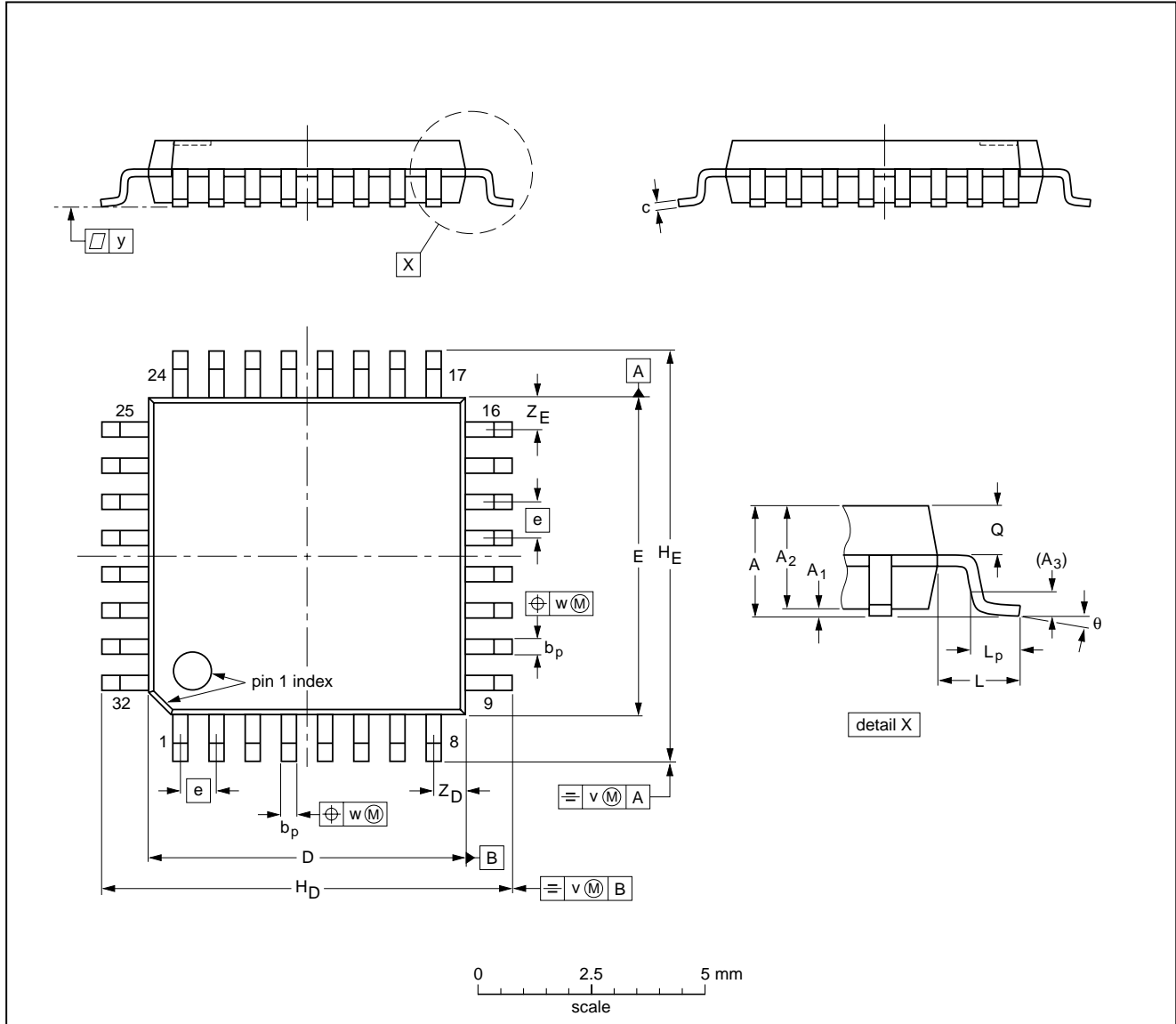
Advanced pager receiver

UAA2080

PACKAGE OUTLINES

LQFP32: plastic low profile quad flat package; 32 leads; body 7 x 7 x 1.4 mm

SOT358-1



DIMENSIONS (mm are the original dimensions)

UNIT	A max.	A ₁	A ₂	A ₃	b _p	c	D ⁽¹⁾	E ⁽¹⁾	e	H _D	H _E	L	L _p	Q	v	w	y	Z _D ⁽¹⁾	Z _E ⁽¹⁾	θ
mm	1.60	0.20 0.05	1.45 1.35	0.25	0.4 0.3	0.18 0.12	7.1 6.9	7.1 6.9	0.8	9.15 8.85	9.15 8.85	1.0	0.75 0.45	0.69 0.59	0.2	0.25	0.1	0.9 0.5	0.9 0.5	7° 0°

Note

1. Plastic or metal protrusions of 0.25 mm maximum per side are not included.

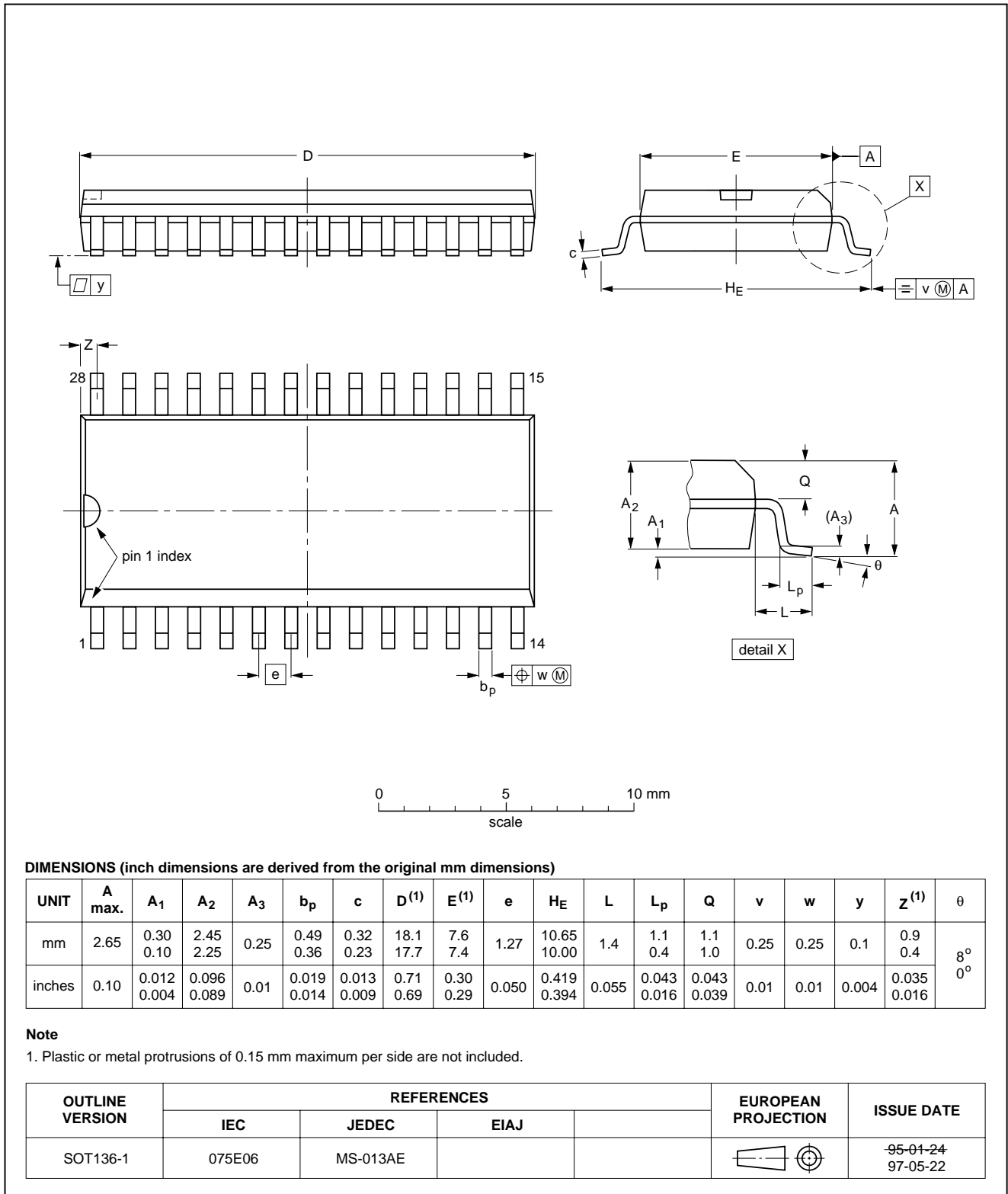
OUTLINE VERSION	REFERENCES				EUROPEAN PROJECTION	ISSUE DATE
	IEC	JEDEC	EIAJ			
SOT358 -1						93-06-29 95-12-19

Advanced pager receiver

UAA2080

SO28: plastic small outline package; 28 leads; body width 7.5 mm

SOT136-1



Advanced pager receiver

UAA2080

SOLDERING

Introduction

There is no soldering method that is ideal for all IC packages. Wave soldering is often preferred when through-hole and surface mounted components are mixed on one printed-circuit board. However, wave soldering is not always suitable for surface mounted ICs, or for printed-circuits with high population densities. In these situations reflow soldering is often used.

This text gives a very brief insight to a complex technology. A more in-depth account of soldering ICs can be found in our "IC Package Databook" (order code 9398 652 90011).

Reflow soldering

Reflow soldering techniques are suitable for all LQFP and SO packages.

Reflow soldering requires solder paste (a suspension of fine solder particles, flux and binding agent) to be applied to the printed-circuit board by screen printing, stencilling or pressure-syringe dispensing before package placement.

Several techniques exist for reflowing; for example, thermal conduction by heated belt. Dwell times vary between 50 and 300 seconds depending on heating method. Typical reflow temperatures range from 215 to 250 °C.

Preheating is necessary to dry the paste and evaporate the binding agent. Preheating duration: 45 minutes at 45 °C.

Wave soldering

LQFP

Wave soldering is **not** recommended for LQFP packages. This is because of the likelihood of solder bridging due to closely-spaced leads and the possibility of incomplete solder penetration in multi-lead devices.

If wave soldering cannot be avoided, the following conditions must be observed:

- **A double-wave (a turbulent wave with high upward pressure followed by a smooth laminar wave) soldering technique should be used.**
- **The footprint must be at an angle of 45° to the board direction and must incorporate solder thieves downstream and at the side corners.**

Even with these conditions, do not consider wave soldering LQFP packages LQFP48 (SOT313-2), LQFP64 (SOT314-2) or LQFP80 (SOT315-1).

SO

Wave soldering techniques can be used for all SO packages if the following conditions are observed:

- A double-wave (a turbulent wave with high upward pressure followed by a smooth laminar wave) soldering technique should be used.
- The longitudinal axis of the package footprint must be parallel to the solder flow.
- The package footprint must incorporate solder thieves at the downstream end.

METHOD (LQFP AND SO)

During placement and before soldering, the package must be fixed with a droplet of adhesive. The adhesive can be applied by screen printing, pin transfer or syringe dispensing. The package can be soldered after the adhesive is cured.

Maximum permissible solder temperature is 260 °C, and maximum duration of package immersion in solder is 10 seconds, if cooled to less than 150 °C within 6 seconds. Typical dwell time is 4 seconds at 250 °C.

A mildly-activated flux will eliminate the need for removal of corrosive residues in most applications.

Repairing soldered joints

Fix the component by first soldering two diagonally-opposite end leads. Use only a low voltage soldering iron (less than 24 V) applied to the flat part of the lead. Contact time must be limited to 10 seconds at up to 300 °C. When using a dedicated tool, all other leads can be soldered in one operation within 2 to 5 seconds between 270 and 320 °C.

Advanced pager receiver

UAA2080

DEFINITIONS

Data sheet status	
Objective specification	This data sheet contains target or goal specifications for product development.
Preliminary specification	This data sheet contains preliminary data; supplementary data may be published later.
Product specification	This data sheet contains final product specifications.
Limiting values	
Limiting values given are in accordance with the Absolute Maximum Rating System (IEC 134). Stress above one or more of the limiting values may cause permanent damage to the device. These are stress ratings only and operation of the device at these or at any other conditions above those given in the Characteristics sections of the specification is not implied. Exposure to limiting values for extended periods may affect device reliability.	
Application information	
Where application information is given, it is advisory and does not form part of the specification.	

LIFE SUPPORT APPLICATIONS

These products are not designed for use in life support appliances, devices, or systems where malfunction of these products can reasonably be expected to result in personal injury. Philips customers using or selling these products for use in such applications do so at their own risk and agree to fully indemnify Philips for any damages resulting from such improper use or sale.

Philips Semiconductors – a worldwide company

Argentina: IEROD, Av. Juramento 1992 - 14.b, (1428)
BUENOS AIRES, Tel. (541)786 7633, Fax. (541)786 9367

Australia: 34 Waterloo Road, NORTH RYDE, NSW 2113,
Tel. (02)805 4455, Fax. (02)805 4466

Austria: Triester Str. 64, A-1101 WIEN, P.O. Box 213,
Tel. (01)60 101-1236, Fax. (01)60 101-1211

Belgium: Postbus 90050, 5600 PB EINDHOVEN, The Netherlands,
Tel. (31)40-2783749, Fax. (31)40-2788399

Brazil: Rua do Rocio 220 - 5th floor, Suite 51,
CEP: 04552-903-SÃO PAULO-SP, Brazil,
P.O. Box 7383 (01064-970),
Tel. (011)821-2333, Fax. (011)829-1849

Canada: PHILIPS SEMICONDUCTORS/COMPONENTS:
Tel. (800) 234-7381, Fax. (708) 296-8556

Chile: Av. Santa Maria 0760, SANTIAGO,
Tel. (02)773 816, Fax. (02)777 6730

China/Hong Kong: 501 Hong Kong Industrial Technology Centre,
72 Tat Chee Avenue, Kowloon Tong, HONG KONG,
Tel. (852)2319 7888, Fax. (852)2319 7700

Colombia: IPRELENZO LTDA, Carrera 21 No. 56-17,
77621 BOGOTA, Tel. (571)249 7624/(571)217 4609,
Fax. (571)217 4549

Denmark: Prags Boulevard 80, PB 1919, DK-2300
COPENHAGEN S, Tel. (45)32 88 26 36, Fax. (45)31 57 19 49

Finland: Sinikalliontie 3, FIN-02630 ESPOO,
Tel. (358)0-615 800, Fax. (358)0-61580 920

France: 4 Rue du Port-aux-Vins, BP317,
92156 SURESNES Cedex,
Tel. (01)4099 6161, Fax. (01)4099 6427

Germany: P.O. Box 10 51 40, 20035 HAMBURG,
Tel. (040)23 53 60, Fax. (040)23 53 63 00

Greece: No. 15, 25th March Street, GR 17778 TAVROS,
Tel. (01)4894 339/4894 911, Fax. (01)4814 240

India: Philips INDIA Ltd, Shivsagar Estate, A Block,
Dr. Annie Besant Rd. Worli, Bombay 400 018
Tel. (022)4938 541, Fax. (022)4938 722

Indonesia: Philips House, Jalan H.R. Rasuna Said Kav. 3-4,
P.O. Box 4252, JAKARTA 12950,
Tel. (021)5201 122, Fax. (021)5205 189

Ireland: Newstead, Clonskeagh, DUBLIN 14,
Tel. (01)7640 000, Fax. (01)7640 200

Italy: PHILIPS SEMICONDUCTORS S.r.l.,
Piazza IV Novembre 3, 20124 MILANO,
Tel. (0039)2 6752 2531, Fax. (0039)2 6752 2557

Japan: Philips Bldg 13-37, Kohnan2-chome, Minato-ku, TOKYO 108,
Tel. (03)3740 5130, Fax. (03)3740 5077

Korea: Philips House, 260-199 Itaewon-dong,
Yongsan-ku, SEOUL, Tel. (02)709-1412, Fax. (02)709-1415

Malaysia: No. 76 Jalan Universiti, 46200 PETALING JAYA,
SELANGOR, Tel. (03)750 5214, Fax. (03)757 4880

Mexico: 5900 Gateway East, Suite 200, EL PASO, TX 79905,
Tel. 9-5(800)234-7381, Fax. (708)296-8556

Netherlands: Postbus 90050, 5600 PB EINDHOVEN, Bldg. VB,
Tel. (040)2783749, Fax. (040)2788399

New Zealand: 2 Wagener Place, C.P.O. Box 1041, AUCKLAND,
Tel. (09)849-4160, Fax. (09)849-7811

Norway: Box 1, Manglerud 0612, OSLO,
Tel. (022)74 8000, Fax. (022)74 8341

Pakistan: Philips Electrical Industries of Pakistan Ltd.,
Exchange Bldg. ST-2/A, Block 9, KDA Scheme 5, Clifton,
KARACHI 75600, Tel. (021)587 4641-49,
Fax. (021)577035/5874546

Philippines: PHILIPS SEMICONDUCTORS PHILIPPINES Inc.,
106 Valero St. Salcedo Village, P.O. Box 2108 MCC, MAKATI,
Metro MANILA, Tel. (63) 2 816 6380, Fax. (63) 2 817 3474

Portugal: PHILIPS PORTUGUESA, S.A.,
Rua dr. António Loureiro Borges 5, Arquiparque - Miraflores,
Apartado 300, 2795 LINDA-A-VELHA,
Tel. (01)4163160/4163333, Fax. (01)4163174/4163366

Singapore: Lorong 1, Toa Payoh, SINGAPORE 1231,
Tel. (65)350 2000, Fax. (65)251 6500

South Africa: S.A. PHILIPS Pty Ltd.,
195-215 Main Road Martindale, 2092 JOHANNESBURG,
P.O. Box 7430, Johannesburg 2000,
Tel. (011)470-5911, Fax. (011)470-5494

Spain: Balmes 22, 08007 BARCELONA,
Tel. (03)301 6312, Fax. (03)301 42 43

Sweden: Kottbygatan 7, Akalla. S-164 85 STOCKHOLM,
Tel. (0)8-632 2000, Fax. (0)8-632 2745

Switzerland: Allmendstrasse 140, CH-8027 ZÜRICH,
Tel. (01)488 2211, Fax. (01)481 77 30

Taiwan: PHILIPS TAIWAN Ltd., 23-30F, 66, Chung Hsiao West
Road, Sec. 1. Taipeh, Taiwan ROC, P.O. Box 22978,
TAIPEI 100, Tel. (886) 2 382 4443, Fax. (886) 2 382 4444

Thailand: PHILIPS ELECTRONICS (THAILAND) Ltd.,
209/2 Sanpavuth-Bangna Road Prakanong,
Bangkok 10260, THAILAND,
Tel. (66) 2 745-4090, Fax. (66) 2 398-0793

Turkey: Talatpasa Cad. No. 5, 80640 GÜLTEPE/ISTANBUL,
Tel. (0212)279 27 70, Fax. (0212)282 67 07

Ukraine: Philips UKRAINE, 2A Akademika Koroleva str., Office 165,
252148 KIEV, Tel. 380-44-4760297, Fax. 380-44-4766991

United Kingdom: Philips Semiconductors LTD.,
276 Bath Road, Hayes, MIDDLESEX UB3 5BX,
Tel. (0181)730-5000, Fax. (0181)754-8421

United States: 811 East Arques Avenue, SUNNYVALE,
CA 94088-3409, Tel. (800)234-7381, Fax. (708)296-8556

Uruguay: Coronel Mora 433, MONTEVIDEO,
Tel. (02)70-4044, Fax. (02)92 0601

Internet: <http://www.semiconductors.philips.com/ps/>

For all other countries apply to: Philips Semiconductors,
International Marketing and Sales, Building BE-p,
P.O. Box 218, 5600 MD EINDHOVEN, The Netherlands,
Telex 35000 phtcnl, Fax. +31-40-2724825

SCDS47

© Philips Electronics N.V. 1996

All rights are reserved. Reproduction in whole or in part is prohibited without the prior written consent of the copyright owner.

The information presented in this document does not form part of any quotation or contract, is believed to be accurate and reliable and may be changed without notice. No liability will be accepted by the publisher for any consequence of its use. Publication thereof does not convey nor imply any license under patent- or other industrial or intellectual property rights.

Printed in The Netherlands