

# DATA SHEET

## **UAA2073AM**

Image rejecting front-end  
for GSM applications

Product specification  
Supersedes data of 1996 Oct 23  
File under Integrated Circuits, IC17

1997 Jan 27

## Image rejecting front-end for GSM applications

### UAA2073AM

#### FEATURES

- Low-noise, wide dynamic range amplifier
- Very low noise figure
- Dual balanced mixer for at least 30 dB on-chip image rejection
- IF I/Q combination network for 175 MHz
- Down-conversion mixer for closed-loop transmitters
- Independent TX/RX fast **on/off** power-down modes
- Very small outline packaging
- Very small application (no image filter).

#### APPLICATIONS

- 900 MHz front-end for GSM hand-portable equipment
- Compact digital mobile communication equipment
- TDMA receivers.

#### GENERAL DESCRIPTION

UAA2073AM contains both a receiver front-end and a high frequency transmit mixer intended for GSM (Global System for Mobile communications) cellular telephones. Designed in an advanced BiCMOS process it combines high performance with low power consumption and a high degree of integration, thus reducing external component costs and total front-end size.

The main advantage of the UAA2073AM is its ability to provide over 30 dB of image rejection. Consequently, the image filter between the LNA and the mixer is suppressed and the duplexer design is eased, compared with a conventional front-end design.

Image rejection is achieved in the internal architecture by two RF mixers in quadrature and two all-pass filters in I and Q IF channels that phase shift the IF by 45° and 135° respectively. The two phase shifted IFs are recombined and buffered to furnish the IF output signal.

This means that signals presented at the RF input at LO – IF frequency are rejected through this signal processing while signals at LO + IF frequency can form the IF signal.

The receiver section consists of a low-noise amplifier that drives a quadrature mixer pair. The IF amplifier has on-chip 45° and 135° phase shifting and a combining network for image rejection. The IF driver has differential open-collector type outputs.

The LO part consists of an internal all-pass type phase shifter to provide quadrature LO signals to the receive mixers. The all-pass filters outputs are buffered before being fed to the receive mixers.

The transmit section consists of a down-conversion mixer and a transmit IF driver stage. In the transmit mode an internal LO buffer is used to drive the transmit IF down-conversion mixer.

All RF and IF inputs or outputs are balanced to reduce EMC issues.

Fast power-up switching is possible. A synthesizer-on (SX) mode enables LO buffers independent of the other circuits. When SXON pin is HIGH, all internal buffers on the LO path of the circuit are turned **on**, thus minimizing LO pulling when remainder of receive chain is powered-up.

#### ORDERING INFORMATION

TYPE NUMBER	PACKAGE		
	NAME	DESCRIPTION	VERSION
UAA2073AM	SSOP20	plastic shrink small outline package; 20 leads; body width 4.4 mm	SOT266-1

# Image rejecting front-end for GSM applications

UAA2073AM

## QUICK REFERENCE DATA

Note 1.

SYMBOL	PARAMETER	MIN.	TYP.	MAX.	UNIT
V <sub>CC</sub>	supply voltage	3.6	3.75	5.3	V
I <sub>CC(RX)</sub>	receive supply current	21	26	32	mA
I <sub>CC(TX)</sub>	transmit supply current	9	12	15	mA
NF <sub>RX</sub>	noise figure on demonstration board (including matching and PCB losses)	–	3.6	4.7	dB
G <sub>CPRX</sub>	conversion power gain	19	22	25	dB
IR	image frequency rejection	30	45	–	dB
T <sub>amb</sub>	operating ambient temperature	–30	+25	+75	°C

## Note

- For conditions see Chapters “DC characteristics” and “AC characteristics”.

## BLOCK DIAGRAM

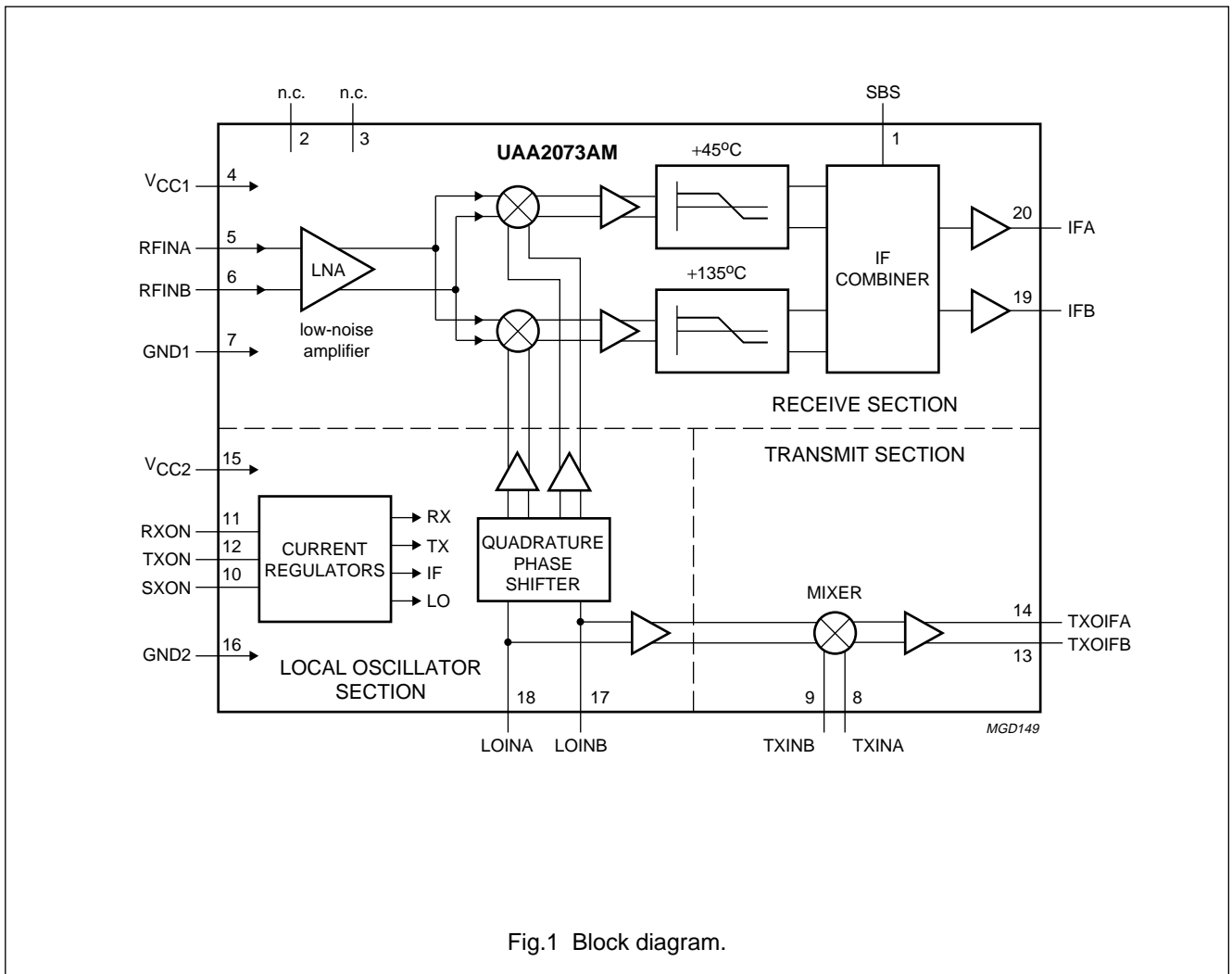


Fig.1 Block diagram.

# Image rejecting front-end for GSM applications

## UAA2073AM

### PINNING

SYMBOL	PIN	DESCRIPTION
SBS	1	sideband selection (should be grounded for $f_{LO} < f_{RF}$ )
n.c.	2	not connected
n.c.	3	not connected
V <sub>CC1</sub>	4	supply voltage for receive and transmit sections
RFINA	5	RF input A (balanced)
RFINB	6	RF input B (balanced)
GND1	7	ground 1 for receive and transmit sections
TXINA	8	transmit mixer input A (balanced)
TXINB	9	transmit mixer input B (balanced)
SXON	10	hardware power-on of LO section (including buffers to RX and TX)
RXON	11	hardware power-on for receive section and LO buffers to RX
TXON	12	hardware power-on for transmit section and LO buffers to TX
TXOIFB	13	transmit mixer IF output B (balanced)
TXOIFA	14	transmit mixer IF output A (balanced)
V <sub>CC2</sub>	15	supply voltage for LO section
GND2	16	ground 2 for LO section
LOINB	17	LO input B (balanced)
LOINA	18	LO input A (balanced)
IFB	19	IF output B (balanced)
IFA	20	IF output A (balanced)

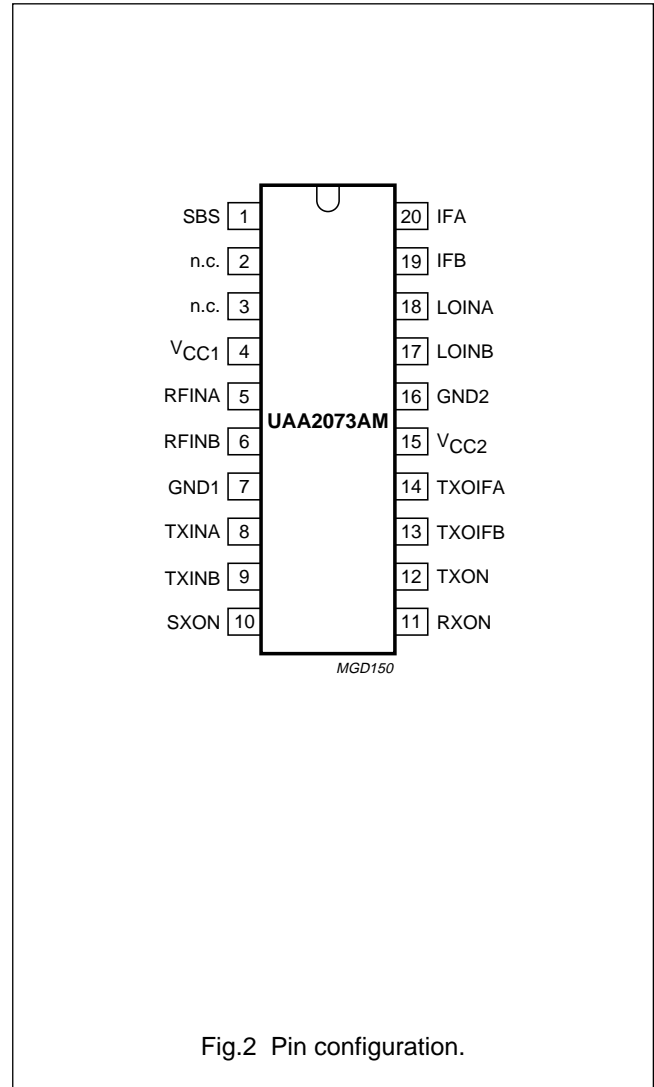


Fig.2 Pin configuration.

# Image rejecting front-end for GSM applications

## UAA2073AM

### FUNCTIONAL DESCRIPTION

#### Receive section

The circuit contains a low-noise amplifier followed by two high dynamic range mixers. These mixers are of the Gilbert-cell type. The whole internal architecture is fully differential.

The local oscillator, shifted in phase to 45° and 135°, mixes the amplified RF to create I and Q channels. The two I and Q channels are buffered, phase shifted by 45° and 135° respectively, amplified and recombined internally to realize the image rejection.

Pin SBS allows sideband selection:

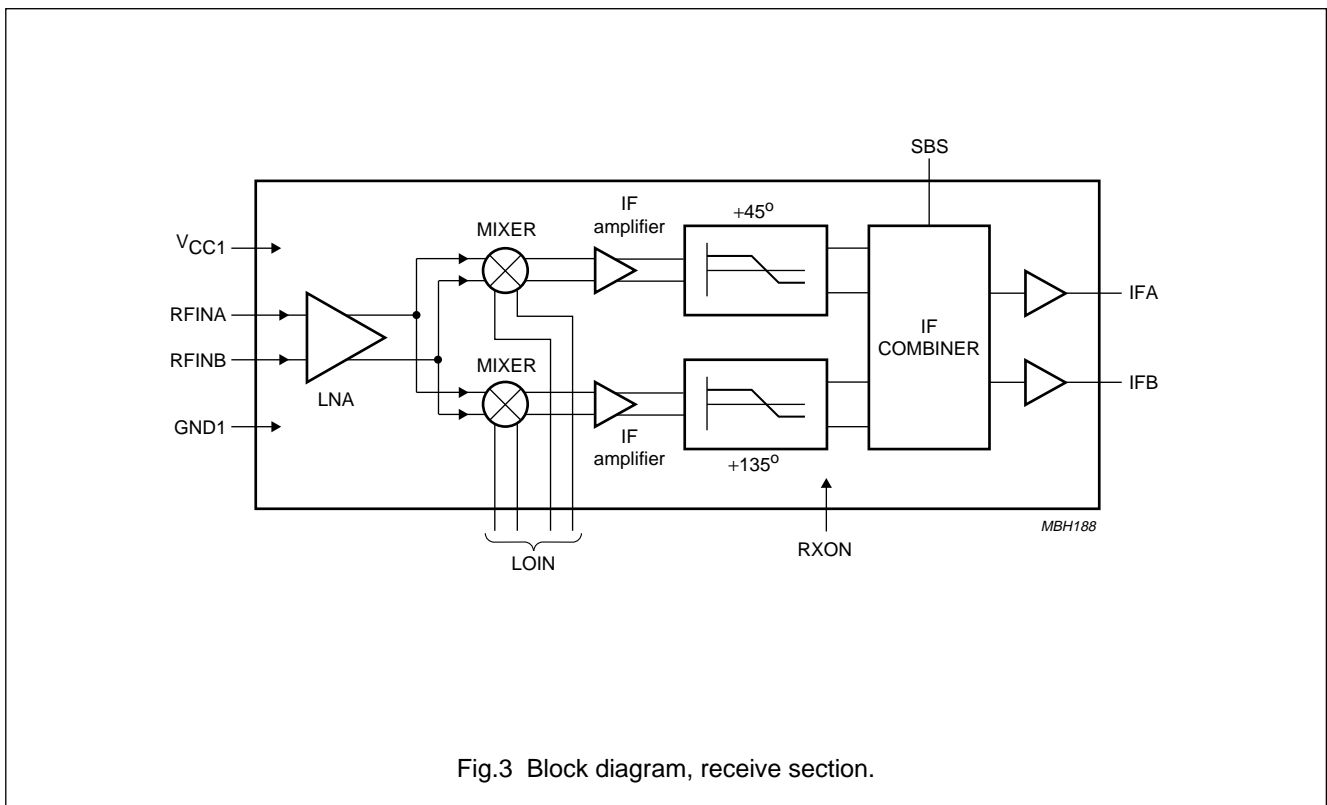
- $f_{LO} > f_{RF}$  (SBS = 1)
- $f_{LO} < f_{RF}$  (SBS = 0).

Where  $f_{RF}$  is the frequency of the wanted signal.

Balanced signal interfaces are used for minimizing crosstalk due to package parasitics. The RF differential input impedance is 150 Ω (parallel real part), chosen to minimize current consumption at best noise performance.

The IF output is differential and of the open-collector type, tuned for 175 MHz. Typical application will load the output with a 680 Ω resistor load at each IF output, plus a 1 kΩ load consisting in the input impedance of the IF filter or in the input impedance of the matching network for the IF filter. The power gain refers to the available power on this 1 kΩ load. The path to  $V_{CC}$  for the DC current should be achieved via tuning inductors. The output voltage is limited to  $V_{CC} + 3V_{be}$  or 3 diode forward voltage drops.

Fast switching, **on/off**, of the receive section is controlled by the hardware input RXON.



# Image rejecting front-end for GSM applications

## UAA2073AM

### Local oscillator section

The Local Oscillator (LO) input directly drives the two internal all-pass networks to provide quadrature LO to the receive mixers.

The LO differential input impedance is 50 Ω (parallel real part).

A synthesizer-on (SX) mode is used to power-up the buffering on the LO inputs, minimizing the pulling effect on the external VCO when entering transmit or receive modes.

This mode is active when the SXON input is HIGH. Table 1 shows status of circuit in accordance with TXON, RXON and SXON inputs.

### Transmit mixer

This mixer is used for down-conversion to the transmit IF. Its inputs are coupled to the transmit RF and down-convert it to a modulated transmit IF frequency which is phase locked with the baseband modulation.

The transmit mixer provides a differential input at 200 Ω and a differential output driver buffer for a 1 kΩ load. The IF outputs are low impedance (emitter followers).

Fast switching, **on/off**, of the transmit section is controlled by the hardware input TXON.

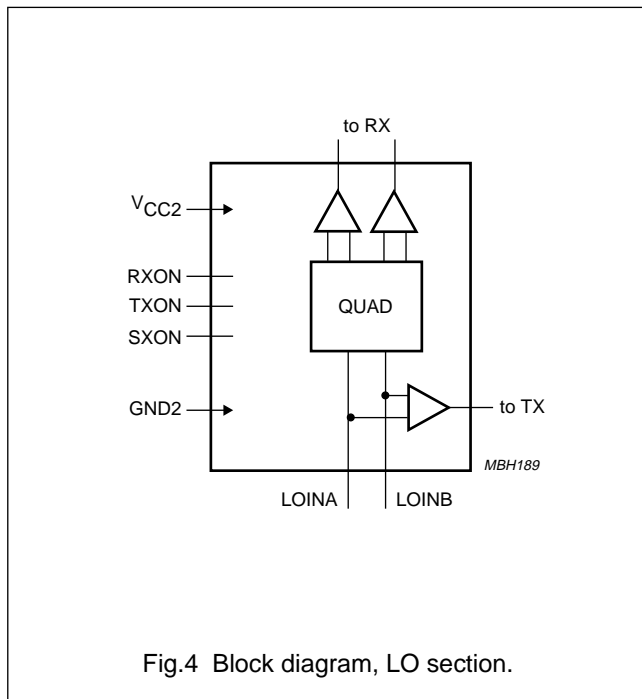


Fig.4 Block diagram, LO section.

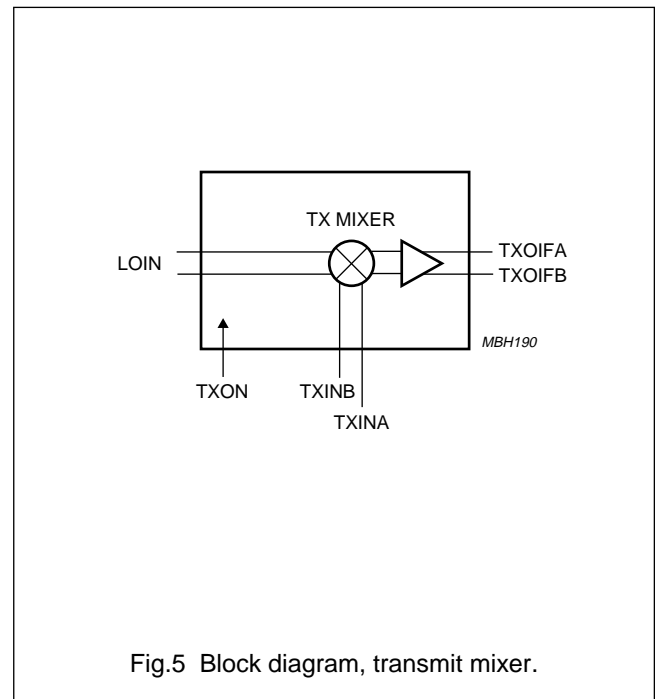


Fig.5 Block diagram, transmit mixer.

# Image rejecting front-end for GSM applications

UAA2073AM

**Table 1** Control of power status

EXTERNAL PIN LEVEL			CIRCUIT MODE OF OPERATION
TXON	RXON	SXON	
LOW	LOW	LOW	power-down mode
LOW	HIGH	LOW	RX mode: receive section and LO buffers to RX <b>on</b>
HIGH	LOW	LOW	TX mode: transmit section and LO buffers to TX <b>on</b>
LOW	LOW	HIGH	SX mode: complete LO section <b>on</b>
LOW	HIGH	HIGH	SRX mode: receive section <b>on</b> and SX mode active
HIGH	LOW	HIGH	STX mode: transmit section <b>on</b> and SX mode active
HIGH	HIGH	LOW	receive and transmit sections <b>on</b> ; specification not guaranteed
HIGH	HIGH	HIGH	receive and transmit sections <b>on</b> ; specification not guaranteed

**LIMITING VALUES**

In accordance with the Absolute Maximum Rating System (IEC 134).

SYMBOL	PARAMETER	MIN.	MAX.	UNIT
$V_{CC}$	supply voltage	–	9	V
$\Delta GND$	difference in ground supply voltage applied between GND1 and GND2	–	0.6	V
$P_{i(max)}$	maximum power input	–	+20	dBm
$T_{j(max)}$	maximum operating junction temperature	–	+150	°C
$P_{dis(max)}$	maximum power dissipation in stagnant air	–	250	mW
$T_{stg}$	IC storage temperature	–65	+150	°C

**HANDLING**

Every pin withstands the ESD test in accordance with MIL-STD-883C class 2 (method 3015.5).

**THERMAL CHARACTERISTICS**

SYMBOL	PARAMETER	VALUE	UNIT
$R_{th\ j-a}$	thermal resistance from junction to ambient in free air	120	K/W

# Image rejecting front-end for GSM applications

UAA2073AM

## DC CHARACTERISTICS

$V_{CC} = 3.75\text{ V}$ ;  $T_{amb} = 25\text{ °C}$ ; unless otherwise specified.

SYMBOL	PARAMETER	CONDITIONS	MIN.	TYP.	MAX.	UNIT
<b>Pins: <math>V_{CC1}</math> and <math>V_{CC2}</math></b>						
$V_{CC}$	supply voltage	over full temperature range	3.6	3.75	5.3	V
$I_{CC(RX)}$	supply current in RX mode		21	26	32	mA
$I_{CC(TX)}$	supply current in TX mode		9	12	15	mA
$I_{CC(SX)}$	supply current in SX mode		4.5	5.8	7.0	mA
$I_{CC(SRX)}$	supply current in SRX mode		23	28	34	mA
$I_{CC(STX)}$	supply current in STX mode		12.5	15.0	19.5	mA
$I_{CC(PD)}$	supply current in power-down mode		–	0.01	50	$\mu\text{A}$
<b>Pins: SXON, RXON, TXON and SBS</b>						
$V_{th}$	CMOS threshold voltage	note 1	–	1.25	–	V
$V_{IH}$	HIGH level input voltage		$0.7V_{CC}$	–	$V_{CC}$	V
$V_{IL}$	LOW level input voltage		–0.3	–	0.8	V
$I_{IH}$	HIGH level static input current	pin at $V_{CC} - 0.4\text{ V}$	–1	–	+1	$\mu\text{A}$
$I_{IL}$	LOW level static input current	pin at $0.4\text{ V}$	–1	–	+1	$\mu\text{A}$
<b>Pins: RFINA and RFINB</b>						
$V_{I(RFIN)}$	DC input voltage level	receive section <b>on</b>	2.0	2.2	2.4	V
<b>Pins: IFA and IFB</b>						
$I_{O(IF)}$	DC output current	receive section <b>on</b>	2.3	3.0	3.8	mA
<b>Pins: TXINA and TXINB</b>						
$V_{I(TXIN)}$	DC input voltage level	transmit section <b>on</b>	2.1	2.4	2.6	V
<b>Pins: TXOIFA and TXOIFB</b>						
$V_{O(TXOIF)}$	DC output voltage level	transmit section <b>on</b>	1.8	1.9	2.1	V
<b>Pins: LOINA and LOINB</b>						
$V_{I(LOIN)}$	DC input voltage level	receive section <b>on</b>	2.3	2.5	2.8	V
		transmit section <b>on</b>	2.3	2.5	2.8	V

### Note

1. The referenced inputs should be connected to a valid CMOS input level.



# Image rejecting front-end for GSM applications

UAA2073AM

## AC CHARACTERISTICS

$V_{CC} = 3.75\text{ V}$ ;  $T_{amb} = -30\text{ to }+75\text{ }^{\circ}\text{C}$ ;  $f_{IF} = 175\text{ MHz}$ ; unless otherwise specified.

SYMBOL	PARAMETER	CONDITIONS	MIN.	TYP.	MAX.	UNIT
<b>Receive section (receive section on)</b>						
$R_{iRX}$	RF input resistance (real part of the parallel input impedance)	balanced; at 942.5 MHz	–	150	–	$\Omega$
$C_{iRX}$	RF input capacitance (imaginary part of the parallel input impedance)	balanced; at 942.5 MHz	–	1	–	pF
$f_{iRX}$	RF input frequency		925	–	960	MHz
$RL_{iRX}$	return loss on matched RF input	note 1	15	20	–	dB
$G_{CPRX}$	conversion power gain	differential RF input to differential IF output matched to 1 k $\Omega$ differential	19	22	25	dB
$G_{rip}$	gain ripple as a function of RF frequency	note 2	–	0.2	0.5	dB
$\Delta G/T$	gain variation with temperature	note 2	–20	–15	–10	mdB/K
DES1	1 dB desensitization input power	interferer frequency offset 3 MHz	–	–30	–	dBm
$CP1_{RX}$	1 dB input compression point	note 1	–25	–23.0	–	dBm
$IP2D_{RX}$	half IF spurious rejection ( $f_{RF} = f_{LO} + 0.5f_{IF}$ )	note 2	60	–	–	dB
$IP3_{RX}$	3rd order intercept point referenced to the RF input	note 2	–21.5	–15	–	dBm
$NF_{RX}$	overall noise figure	RF input to differential IF output; note 3 $T_{amb} = +25^{\circ}\text{C}$ over full temperature range	–	3.6	4.0	dB
			–	–	4.7	dB
$R_{LRX}$	typical application IF output load impedance	balanced	–	1000	–	$\Omega$
$C_{LRX}$	IF output load capacitance	unbalanced	–	–	2	pF
$f_{oRX}$	IF frequency range		–	175	–	MHz
IR	image frequency rejection	$f_{LO} < f_{RF}$	30	45	–	dB

# Image rejecting front-end for GSM applications

UAA2073AM

SYMBOL	PARAMETER	CONDITIONS	MIN.	TYP.	MAX.	UNIT
<b>Local oscillator section (RXON or TXON or SXON = 1)</b>						
$f_{iLO}$	LO input frequency		750	–	785	MHz
$R_{iLO}$	LO input resistance (real part of the parallel input impedance)	balanced; at 767.5 MHz	–	80	–	$\Omega$
$C_{iLO}$	LO input capacitance (imaginary part of the parallel input impedance)	balanced; at 767.5 MHz	–	2	–	pF
$RL_{iLO}$	return loss on matched input (including power-down mode)	note 2	10	15	–	dB
$\Delta RL_{iLO}$	return loss variation between SX, SRX and STX modes	linear $S_{11}$ variation; note 1	–	20	–	mU
$P_{iLO}$	LO input power level		–7	–4	0	dBm
$RI_{LO}$	reverse isolation	LOIN to RFIN at LO frequency; note 2	40	–	–	dB
<b>Transmit section (transmit section on)</b>						
$Z_{oTX}$	TX IF output impedance		–	–	200	$\Omega$
$Z_{LTX}$	TX IF load impedance		–	1	–	k $\Omega$
$C_{LTX}$	TX IF load capacitance		–	–	2	pF
$R_{iTX}$	TX RF input resistance (real part of the parallel input impedance)	balanced; at 897.5 MHz	–	200	–	$\Omega$
$C_{iTX}$	TX RF input capacitance (imaginary part of the parallel input impedance)	balanced; at 897.5 MHz	–	1	–	pF
$f_{iTX}$	TX input frequency		880	–	915	MHz
$RL_{iTX}$	return loss on matched TX input	note 1	15	20	–	dB
$G_{CPTX}$	conversion power gain	from 200 $\Omega$ to 1 k $\Omega$ output; note 2	5	7.4	10	dB
$f_{oTX}$	TX output frequency		40	–	200	MHz
$CP1_{TX}$	1 dB input compression point	note 1	–22	–17.5	–	dBm
$IP2_{TX}$	2nd order intercept point		–	+20	–	dBm
$IP3_{TX}$	3rd order intercept point		–12	–9	–	dBm
$NF_{TX}$	noise figure	double sideband; notes 2 and 3	–	9.8	12	dB
$RI_{TX}$	reverse isolation	TXIN to LOIN; note 2	40	–	–	dB
$I_{TX}$	isolation	LOIN to TXIN; note 2	40	–	–	dB
<b>Timing</b>						
$t_{start}$	start-up time of each block		1	5	20	$\mu$ s

**Notes**

1. Measured and guaranteed only on Philips UAA2073AM demonstration board at  $T_{amb} = 25\text{ }^{\circ}\text{C}$ .
2. Measured and guaranteed only on Philips UAA2073AM demonstration board.
3. This value includes printed-circuit board and balun losses on Philips UAA2073AM demonstration board over full temperature range.

Image rejecting front-end  
for GSM applications

UAA2073AM

INTERNAL PIN CONFIGURATION

PIN	SYMBOL	DC VOLTAGE (V)	EQUIVALENT CIRCUIT
1	SBS		
10	SXON		
11	RXON		
12	TXON		
4	V <sub>CC1</sub>	+3.75	
15	V <sub>CC2</sub>	+3.75	
7	GND1	0	
16	GND2	0	
5	RFINA	+2.2	
6	RFINB	+2.2	
8	TXINA	+2.4	
9	TXINB	+2.4	
13	TXOIFB	+1.9	
14	TXOIFA	+1.9	

Image rejecting front-end  
for GSM applications

UAA2073AM

PIN	SYMBOL	DC VOLTAGE (V)	EQUIVALENT CIRCUIT
17	LOINB	+2.5	
18	LOINA	+2.5	
19	IFB	+3.0	
20	IFA	+3.0	

# Image rejecting front-end for GSM applications

## UAA2073AM

### APPLICATION INFORMATION

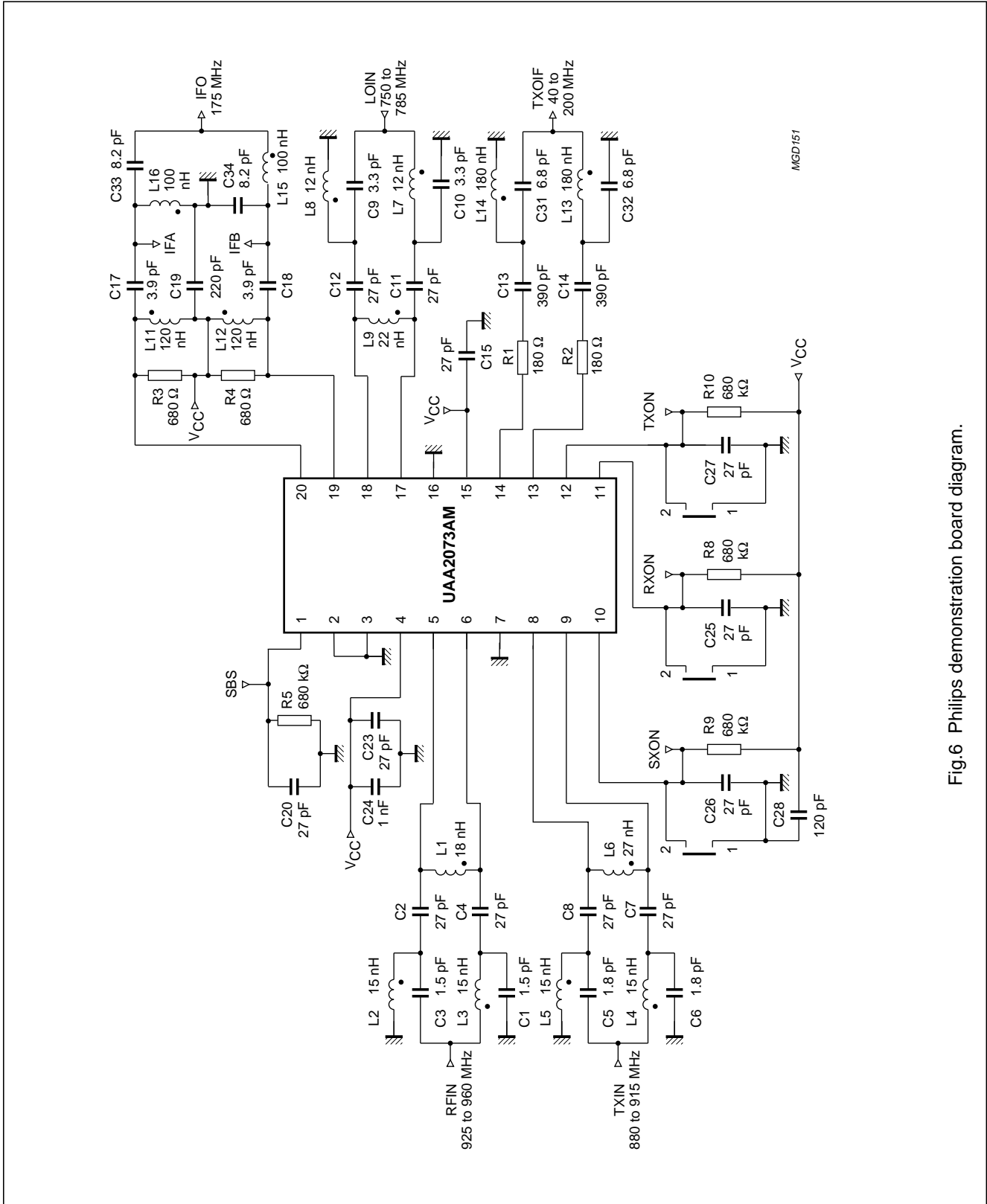


Fig.6 Philips demonstration board diagram.

# Image rejecting front-end for GSM applications

## UAA2073AM

**Table 2** UAA2073AM demonstration board parts list

PART	VALUE	SIZE	LOCATION
<b>Resistors</b>			
R1	180 $\Omega$	0805	TXOIF
R2	180 $\Omega$	0805	TXOIF
R3	680 $\Omega$	0805	IFO
R4	680 $\Omega$	0805	IFO
R5	680 k $\Omega$	0805	SBS
R8	680 k $\Omega$	0805	RXON
R9	680 k $\Omega$	0805	SXON
R10	680 k $\Omega$	0805	TXON
<b>Capacitors</b>			
C1	1.5 pF	0805	RFIN
C2	27 pF	0805	RFIN
C3	1.5 pF	0805	RFIN
C4	27 pF	0805	RFIN
C5	1.8 pF	0805	TXIN
C6	1.8 pF	0805	TXIN
C7	27 pF	0805	TXIN
C8	27 pF	0805	TXIN
C9	3.3 pF	0805	LOIN
C10	3.3 pF	0805	LOIN
C11	27 pF	0805	LOIN
C12	27 pF	0805	LOIN
C13	390 pF	0805	TXOIF
C14	390 pF	0805	TXOIF
C15	27 pF	0805	V <sub>CCLO</sub>
C17	3.9 pF	0805	IFO
C18	3.9 pF	0805	IFO
C19	220 pF	0805	IF/V <sub>CC</sub>
C20	27 pF	0805	SBS
C23	27 pF	0805	V <sub>CCLNA</sub>
C24	1 nF	0805	V <sub>CCLNA</sub>
C25	27 pF	0805	RXON
C26	27 pF	0805	SXON
C27	27 pF	0805	TXON
C28	120 pF	0805	V <sub>CC</sub>
C31	6.8 pF	0805	TXOIF
C32	6.8 pF	0805	TXOIF
C33	8.2 pF	0805	IFO
C34	8.2 pF	0805	IFO

PART	VALUE	SIZE	LOCATION
<b>Inductors</b>			
L1	18 nH	0805	RFIN
L2	15 nH	0805	RFIN
L3	15 nH	0805	RFIN
L4	15 nH	0805	TXIN
L5	15 nH	0805	TXIN
L6	27 nH	0805	TXIN
L7	12 nH	0805	LOIN
L8	12 nH	0805	LOIN
L9	22 nH	0805	LOIN
L11	120 nH	1008	IFO
L12	120 nH	1008	IFO
L13	180 nH	0805	TXOIF
L14	180 nH	0805	TXOIF
L15	100 nH	1008	IFO
L16	100 nH	1008	IFO

**Other components**

COMPONENT	DESCRIPTIONS
IC1	UAA2073AM
SMA/RIM	sockets for RF and IF inputs/outputs
SMB	V <sub>CC</sub> socket

**Component manufacturers**

All surface mounted resistors and capacitors are from Philips Components. The small value capacitors are multilayer ceramic with NPO dielectric. The inductors are from Coilcraft UK.

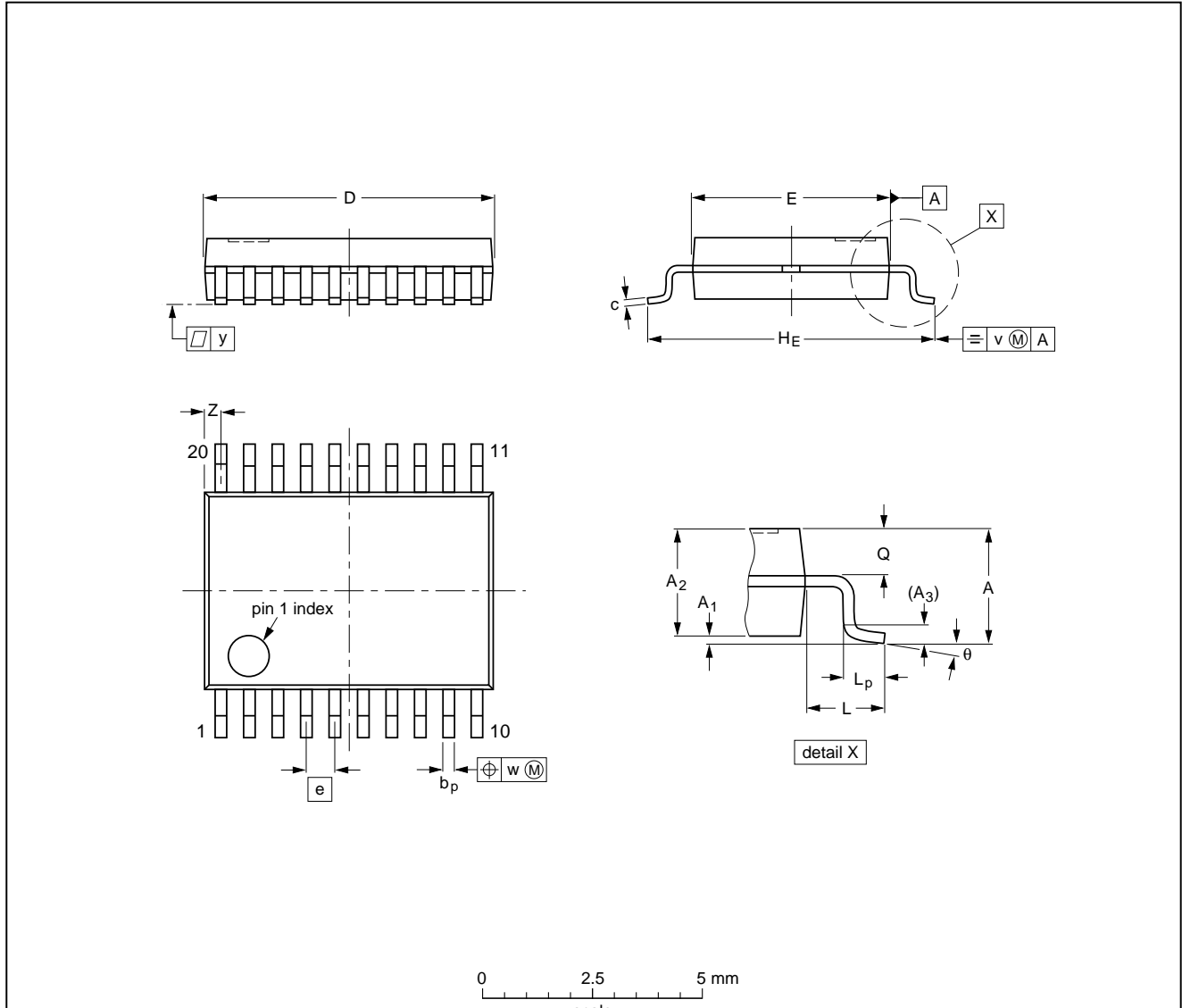
Image rejecting front-end  
for GSM applications

UAA2073AM

PACKAGE OUTLINE

SSOP20: plastic shrink small outline package; 20 leads; body width 4.4 mm

SOT266-1



DIMENSIONS (mm are the original dimensions)

UNIT	A max.	A <sub>1</sub>	A <sub>2</sub>	A <sub>3</sub>	b <sub>p</sub>	c	D <sup>(1)</sup>	E <sup>(1)</sup>	e	H <sub>E</sub>	L	L <sub>p</sub>	Q	v	w	y	Z <sup>(1)</sup>	θ
mm	1.5	0.15 0	1.4 1.2	0.25	0.32 0.20	0.20 0.13	6.6 6.4	4.5 4.3	0.65	6.6 6.2	1.0	0.75 0.45	0.65 0.45	0.2	0.13	0.1	0.48 0.18	10° 0°

Note

1. Plastic or metal protrusions of 0.20 mm maximum per side are not included.

OUTLINE VERSION	REFERENCES				EUROPEAN PROJECTION	ISSUE DATE
	IEC	JEDEC	EIAJ			
SOT266-1						90-04-05 95-02-25

## Image rejecting front-end for GSM applications

UAA2073AM

### SOLDERING

#### Introduction

There is no soldering method that is ideal for all IC packages. Wave soldering is often preferred when through-hole and surface mounted components are mixed on one printed-circuit board. However, wave soldering is not always suitable for surface mounted ICs, or for printed-circuits with high population densities. In these situations reflow soldering is often used.

This text gives a very brief insight to a complex technology. A more in-depth account of soldering ICs can be found in our "IC Package Databook" (order code 9398 652 90011).

#### Reflow soldering

Reflow soldering techniques are suitable for all SSOP packages.

Reflow soldering requires solder paste (a suspension of fine solder particles, flux and binding agent) to be applied to the printed-circuit board by screen printing, stencilling or pressure-syringe dispensing before package placement.

Several techniques exist for reflowing; for example, thermal conduction by heated belt. Dwell times vary between 50 and 300 seconds depending on heating method. Typical reflow temperatures range from 215 to 250 °C.

Preheating is necessary to dry the paste and evaporate the binding agent. Preheating duration: 45 minutes at 45 °C.

#### Wave soldering

Wave soldering is **not** recommended for SSOP packages. This is because of the likelihood of solder bridging due to closely-spaced leads and the possibility of incomplete solder penetration in multi-lead devices.

If wave soldering cannot be avoided, the following conditions must be observed:

- **A double-wave (a turbulent wave with high upward pressure followed by a smooth laminar wave) soldering technique should be used.**
- **The longitudinal axis of the package footprint must be parallel to the solder flow and must incorporate solder thieves at the downstream end.**

**Even with these conditions, only consider wave soldering SSOP packages that have a body width of 4.4 mm, that is SSOP16 (SOT369-1) or SSOP20 (SOT266-1).**

During placement and before soldering, the package must be fixed with a droplet of adhesive. The adhesive can be applied by screen printing, pin transfer or syringe dispensing. The package can be soldered after the adhesive is cured.

Maximum permissible solder temperature is 260 °C, and maximum duration of package immersion in solder is 10 seconds, if cooled to less than 150 °C within 6 seconds. Typical dwell time is 4 seconds at 250 °C.

A mildly-activated flux will eliminate the need for removal of corrosive residues in most applications.

#### Repairing soldered joints

Fix the component by first soldering two diagonally-opposite end leads. Use only a low voltage soldering iron (less than 24 V) applied to the flat part of the lead. Contact time must be limited to 10 seconds at up to 300 °C. When using a dedicated tool, all other leads can be soldered in one operation within 2 to 5 seconds between 270 and 320 °C.



# Image rejecting front-end for GSM applications

UAA2073AM

## DEFINITIONS

<b>Data sheet status</b>	
Objective specification	This data sheet contains target or goal specifications for product development.
Preliminary specification	This data sheet contains preliminary data; supplementary data may be published later.
Product specification	This data sheet contains final product specifications.
<b>Limiting values</b>	
Limiting values given are in accordance with the Absolute Maximum Rating System (IEC 134). Stress above one or more of the limiting values may cause permanent damage to the device. These are stress ratings only and operation of the device at these or at any other conditions above those given in the Characteristics sections of the specification is not implied. Exposure to limiting values for extended periods may affect device reliability.	
<b>Application information</b>	
Where application information is given, it is advisory and does not form part of the specification.	

## LIFE SUPPORT APPLICATIONS

These products are not designed for use in life support appliances, devices, or systems where malfunction of these products can reasonably be expected to result in personal injury. Philips customers using or selling these products for use in such applications do so at their own risk and agree to fully indemnify Philips for any damages resulting from such improper use or sale.

Image rejecting front-end  
for GSM applications

UAA2073AM

---

**NOTES**

---

Image rejecting front-end  
for GSM applications

UAA2073AM

---

**NOTES**

# Philips Semiconductors – a worldwide company

**Argentina:** see South America

**Australia:** 34 Waterloo Road, NORTH RYDE, NSW 2113,  
Tel. +61 2 9805 4455, Fax. +61 2 9805 4466

**Austria:** Computerstr. 6, A-1101 WIEN, P.O. Box 213,  
Tel. +43 1 60 101, Fax. +43 1 60 101 1210

**Belarus:** Hotel Minsk Business Center, Bld. 3, r. 1211, Volodarski Str. 6,  
220050 MINSK, Tel. +375 172 200 733, Fax. +375 172 200 773

**Belgium:** see The Netherlands

**Brazil:** see South America

**Bulgaria:** Philips Bulgaria Ltd., Energoproject, 15th floor,  
51 James Bourchier Blvd., 1407 SOFIA,  
Tel. +359 2 689 211, Fax. +359 2 689 102

**Canada:** PHILIPS SEMICONDUCTORS/COMPONENTS,  
Tel. +1 800 234 7381

**China/Hong Kong:** 501 Hong Kong Industrial Technology Centre,  
72 Tat Chee Avenue, Kowloon Tong, HONG KONG,  
Tel. +852 2319 7888, Fax. +852 2319 7700

**Colombia:** see South America

**Czech Republic:** see Austria

**Denmark:** Prags Boulevard 80, PB 1919, DK-2300 COPENHAGEN S,  
Tel. +45 32 88 2636, Fax. +45 31 57 1949

**Finland:** Sinikalliontie 3, FIN-02630 ESPOO,  
Tel. +358 9 615800, Fax. +358 9 61580/xxx

**France:** 4 Rue du Port-aux-Vins, BP317, 92156 SURESNES Cedex,  
Tel. +33 1 40 99 6161, Fax. +33 1 40 99 6427

**Germany:** Hammerbrookstraße 69, D-20097 HAMBURG,  
Tel. +49 40 23 53 60, Fax. +49 40 23 536 300

**Greece:** No. 15, 25th March Street, GR 17778 TAVROS/ATHENS,  
Tel. +30 1 4894 339/239, Fax. +30 1 4814 240

**Hungary:** see Austria

**India:** Philips INDIA Ltd, Shivsagar Estate, A Block, Dr. Annie Besant Rd.  
Worli, MUMBAI 400 018, Tel. +91 22 4938 541, Fax. +91 22 4938 722

**Indonesia:** see Singapore

**Ireland:** Newstead, Clonskeagh, DUBLIN 14,  
Tel. +353 1 7640 000, Fax. +353 1 7640 200

**Israel:** RAPAC Electronics, 7 Kehilat Saloniki St, TEL AVIV 61180,  
Tel. +972 3 645 0444, Fax. +972 3 649 1007

**Italy:** PHILIPS SEMICONDUCTORS, Piazza IV Novembre 3,  
20124 MILANO, Tel. +39 2 6752 2531, Fax. +39 2 6752 2557

**Japan:** Philips Bldg 13-37, Kohnan 2-chome, Minato-ku, TOKYO 108,  
Tel. +81 3 3740 5130, Fax. +81 3 3740 5077

**Korea:** Philips House, 260-199 Itaewon-dong, Yongsan-ku, SEOUL,  
Tel. +82 2 709 1412, Fax. +82 2 709 1415

**Malaysia:** No. 76 Jalan Universiti, 46200 PETALING JAYA, SELANGOR,  
Tel. +60 3 750 5214, Fax. +60 3 757 4880

**Mexico:** 5900 Gateway East, Suite 200, EL PASO, TEXAS 79905,  
Tel. +9-5 800 234 7381

**Middle East:** see Italy

**Netherlands:** Postbus 90050, 5600 PB EINDHOVEN, Bldg. VB,  
Tel. +31 40 27 82785, Fax. +31 40 27 88399

**New Zealand:** 2 Wagener Place, C.P.O. Box 1041, AUCKLAND,  
Tel. +64 9 849 4160, Fax. +64 9 849 7811

**Norway:** Box 1, Manglerud 0612, OSLO,  
Tel. +47 22 74 8000, Fax. +47 22 74 8341

**Philippines:** Philips Semiconductors Philippines Inc.,  
106 Valero St. Salcedo Village, P.O. Box 2108 MCC, MAKATI,  
Metro MANILA, Tel. +63 2 816 6380, Fax. +63 2 817 3474

**Poland:** Ul. Lukiska 10, PL 04-123 WARSZAWA,  
Tel. +48 22 612 2831, Fax. +48 22 612 2327

**Portugal:** see Spain

**Romania:** see Italy

**Russia:** Philips Russia, Ul. Usatcheva 35A, 119048 MOSCOW,  
Tel. +7 095 755 6918, Fax. +7 095 755 6919

**Singapore:** Lorong 1, Toa Payoh, SINGAPORE 1231,  
Tel. +65 350 2538, Fax. +65 251 6500

**Slovakia:** see Austria

**Slovenia:** see Italy

**South Africa:** S.A. PHILIPS Pty Ltd., 195-215 Main Road Martindale,  
2092 JOHANNESBURG, P.O. Box 7430 Johannesburg 2000,  
Tel. +27 11 470 5911, Fax. +27 11 470 5494

**South America:** Rua do Rocio 220, 5th floor, Suite 51,  
04552-903 São Paulo, SÃO PAULO - SP, Brazil,  
Tel. +55 11 821 2333, Fax. +55 11 829 1849

**Spain:** Balmes 22, 08007 BARCELONA,  
Tel. +34 3 301 6312, Fax. +34 3 301 4107

**Sweden:** Kottbygatan 7, Akalla, S-16485 STOCKHOLM,  
Tel. +46 8 632 2000, Fax. +46 8 632 2745

**Switzerland:** Allmendstrasse 140, CH-8027 ZÜRICH,  
Tel. +41 1 488 2686, Fax. +41 1 481 7730

**Taiwan:** Philips Semiconductors, 6F, No. 96, Chien Kuo N. Rd., Sec. 1,  
TAIPEI, Taiwan Tel. +886 2 2134 2870, Fax. +886 2 2134 2874

**Thailand:** PHILIPS ELECTRONICS (THAILAND) Ltd.,  
209/2 Sanpavuth-Bangna Road Prakanong, BANGKOK 10260,  
Tel. +66 2 745 4090, Fax. +66 2 398 0793

**Turkey:** Talatpasa Cad. No. 5, 80640 GÜLTEPE/ISTANBUL,  
Tel. +90 212 279 2770, Fax. +90 212 282 6707

**Ukraine:** PHILIPS UKRAINE, 4 Patrice Lumumba str., Building B, Floor 7,  
252042 KIEV, Tel. +380 44 264 2776, Fax. +380 44 268 0461

**United Kingdom:** Philips Semiconductors Ltd., 276 Bath Road, Hayes,  
MIDDLESEX UB3 5BX, Tel. +44 181 730 5000, Fax. +44 181 754 8421

**United States:** 811 East Arques Avenue, SUNNYVALE, CA 94088-3409,  
Tel. +1 800 234 7381

**Uruguay:** see South America

**Vietnam:** see Singapore

**Yugoslavia:** PHILIPS, Trg N. Pasica 5/v, 11000 BEOGRAD,  
Tel. +381 11 625 344, Fax. +381 11 635 777

**For all other countries apply to:** Philips Semiconductors, Marketing & Sales Communications,  
Building BE-p, P.O. Box 218, 5600 MD EINDHOVEN, The Netherlands, Fax. +31 40 27 24825

**Internet:** <http://www.semiconductors.philips.com>

© Philips Electronics N.V. 1997

SCA53

All rights are reserved. Reproduction in whole or in part is prohibited without the prior written consent of the copyright owner.

The information presented in this document does not form part of any quotation or contract, is believed to be accurate and reliable and may be changed without notice. No liability will be accepted by the publisher for any consequence of its use. Publication thereof does not convey nor imply any license under patent- or other industrial or intellectual property rights.

Printed in The Netherlands

437027/1200/02/pp20

Date of release: 1997 Jan 27

Document order number: 9397 750 01642

*Let's make things better.*

**Philips  
Semiconductors**



**PHILIPS**