

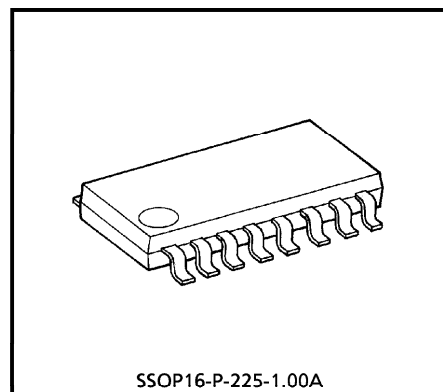
TOSHIBA BIPOLAR LINEAR INTEGRATED CIRCUIT SILICON MONOLITHIC

**TA7766AF****FM PLL MPX (1.5V USE)**

The TA7766AF is an FM PLL MPX IC designed for low voltage operation (1.5V), which is suitable for stereo headphone radio and radio cassette equipments. This can realize the low power dissipation.

**FEATURES**

- LED driver for stereo indication ( $V_{LED} = 3\sim 6V$ )
- Adopting the LC type oscillator ( $f_{VCO} = 456kHz$ )
- Adjustable for lamp-on sensitivity
- Built-in compulsive monaural function (VCO stop, pin<sup>⑬</sup>)
- Free running frequency monitor terminal  
Pin<sup>⑩</sup> :  $f_{FREE} = 19kHz$
- Excellent low supply current  
:  $I_{CC} = 0.8mA$  (Typ.) ( $V_{CC} = 1.5V$ ,  $T_a = 25^\circ C$ )
- Operating supply voltage range  
:  $V_{CC(opr)} = 0.9\sim 5V$  ( $T_a = 25^\circ C$ )
- Stereo operating supply voltage range  
:  $V_{CC(opr)} = 1\sim 5V$  ( $T_a = 25^\circ C$ )



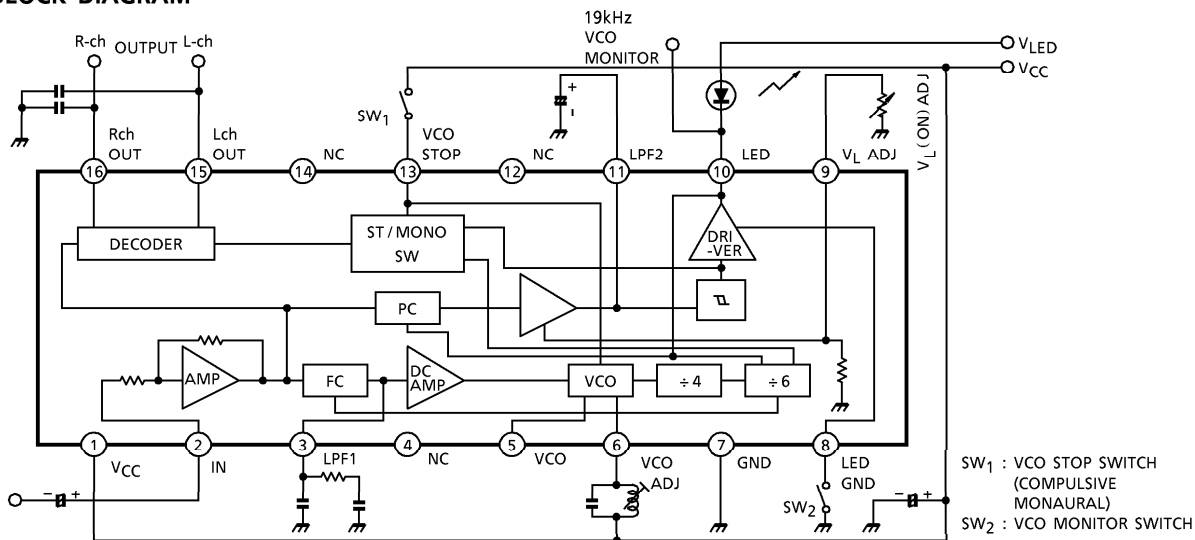
SSOP16-P-225-1.00A

Weight : 0.14g (Typ.)

961001EBA2

- TOSHIBA is continually working to improve the quality and the reliability of its products. Nevertheless, semiconductor devices in general can malfunction or fail due to their inherent electrical sensitivity and vulnerability to physical stress. It is the responsibility of the buyer, when utilizing TOSHIBA products, to observe standards of safety, and to avoid situations in which a malfunction or failure of a TOSHIBA product could cause loss of human life, bodily injury or damage to property. In developing your designs, please ensure that TOSHIBA products are used within specified operating ranges as set forth in the most recent products specifications. Also, please keep in mind the precautions and conditions set forth in the TOSHIBA Semiconductor Reliability Handbook.
- The products described in this document are subject to foreign exchange and foreign trade control laws.
- The information contained herein is presented only as a guide for the applications of our products. No responsibility is assumed by TOSHIBA CORPORATION for any infringements of intellectual property or other rights of the third parties which may result from its use. No license is granted by implication or otherwise under any intellectual property or other rights of TOSHIBA CORPORATION or others.
- The information contained herein is subject to change without notice.

**BLOCK DIAGRAM**



(Note) pin ④, ⑫, ⑭ are no connected.

**APPLICATION NOTE**

(1) Input circuit

This circuit is composed of the inverted amplifier as shown Fig.1. In case of the large signal input,  $R_f$  (the external resistance. in series) can reduce the voltage gain.

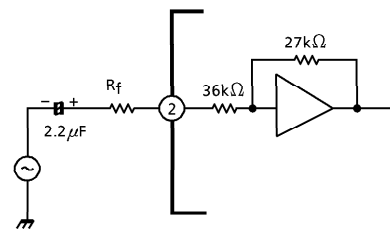


Fig.1

(2) Lamp-on sensitivity and stereo / monaural sensitivity

It is possible to adjust the Lamp-on sensitivity and the stereo sensitivity by the external resistance ( $R_T$ ), which is connected to the terminal pin ⑨. The output current ( $I_O$ ) of the synchronous detector is determined by the input pilot signal. As the value of  $R_T$  is larger, the Lamp-on sensitivity and the stereo sensitivity become more increasing, because the current ( $I_1$ ) of  $Q_1$  is decreasing, and the current  $I_2$  is increasing. However, in case that the terminal pin ⑨ is open, the stereo sensitivity is too increasing, the stereo switch remains turned-on, without pilot signal. Therefore, the value of  $R_T$  is efficient about 10~50kΩ.

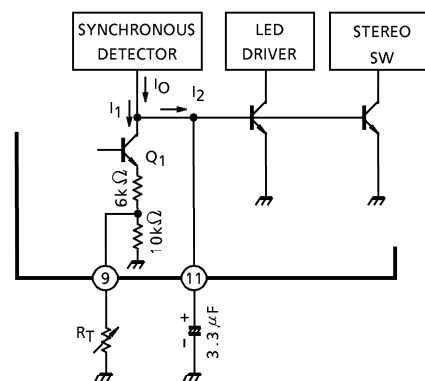


Fig.2

(3)  $f_{VCO}$  monitor

The LED terminal pin⑩ can be used as  $f_{VCO}$  (19kHz) monitor terminal, in case that the terminal pin⑧ is open, as Fig.3.

Under unlocked condition, in case that the terminal pin⑧ is connected to GND, it can be done, too.

In case that the LED indicator is not necessary, it is better that the terminal pin⑧ is open, because of the save of the supply current.

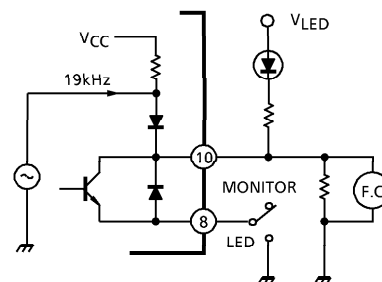


Fig.3

(4) Compulsive monaural function

In case that the terminal pin⑬ is connected to  $V_{CC}$  as Fig.4, this item becomes compulsive monaural mode. That causes the VCO stopping. Connected as Fig.5, switchover between AM / FM mode is possible with one-make switch.

(5) Anti-birdy effect

TA7766AF has beat-prevent performance, because switching wave (38kHz) hardly has a number of odd harmonic frequency of 38kHz in internal circuit.

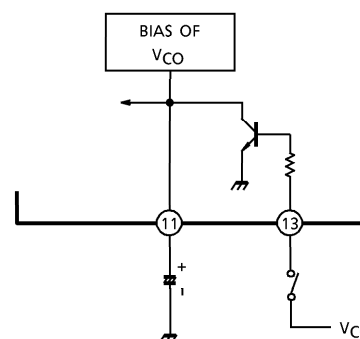


Fig.4

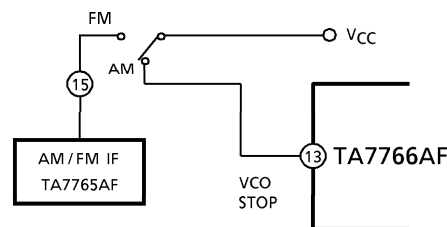


Fig.5

MAXIMUM RATINGS ( $T_a = 25^\circ\text{C}$ )

CHARACTERISTIC	SYMBOL	RATING	UNIT
Supply Voltage	$V_{CC}$	5	V
Lamp Current	$I_{LAMP}$	5	mA
Lamp Voltage	$V_{LAMP}$	6	V
Power Dissipation	$P_D$ (Note)	350	mW
Operating Temperature	$T_{opr}$	-25~75	$^\circ\text{C}$
Storage Temperature	$T_{stg}$	-55~150	$^\circ\text{C}$

(Note) Derated above  $25^\circ\text{C}$  in the proportion of  $2.8\text{mW}/^\circ\text{C}$ .

ELECTRICAL CHARACTERISTICS (Unless otherwise specified, Ta = 25°C, V<sub>CC</sub> = 1.5V, f<sub>m</sub> = 1kHz)

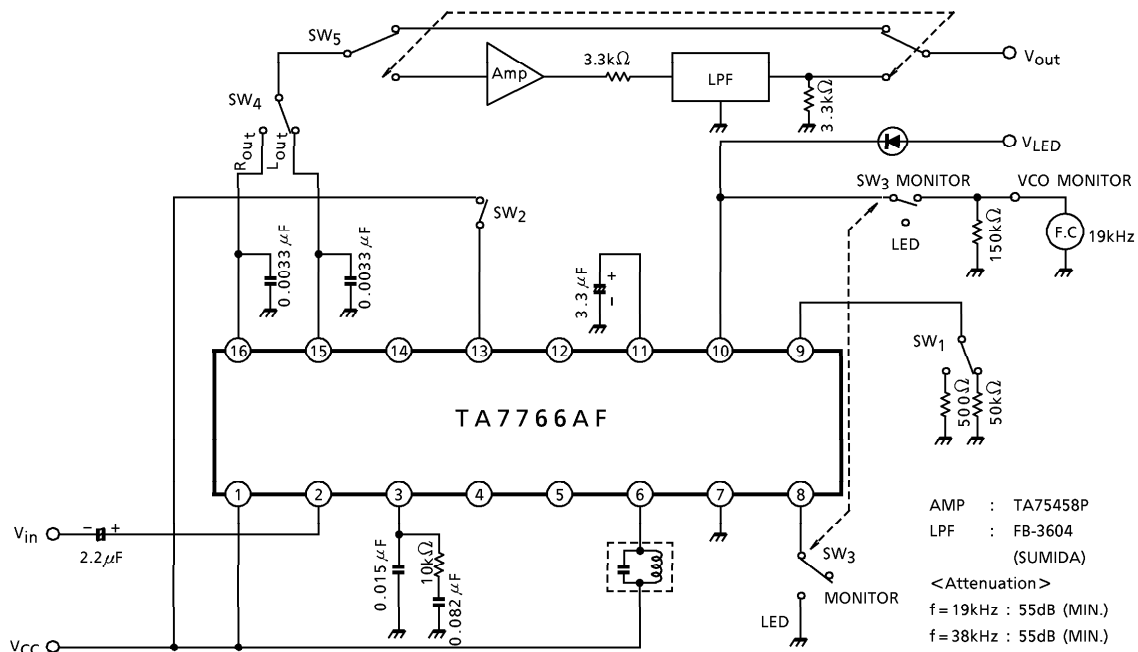
CHARACTERISTIC		SYMBOL	TEST CIRCUIT	TEST CONDITION	MIN.	TYP.	MAX.	UNIT	
Supply Current		I <sub>CC</sub>	—	At lamp off	—	0.8	1.6	mA	
Input Resistance		R <sub>IN</sub>	—		—	36	—	kΩ	
Output Resistance		R <sub>OUT</sub>	—		—	15	—	kΩ	
Max. Composite Signal Input Voltage		V <sub>in</sub> (MAX) (STEREO)	—	L + R = 90%, P = 10%, THD = 5% SW <sub>1</sub> →R <sub>LED</sub> = 50kΩ SW <sub>5</sub> →LPF ON	—	250	—	mV <sub>rms</sub>	
Separation		Sep	—	L + R = 90mV <sub>rms</sub> , P = 10mV <sub>rms</sub> SW <sub>1</sub> →R <sub>LED</sub> = 50kΩ SW <sub>5</sub> →LPF ON	f <sub>m</sub> = 100Hz	—	30	—	dB
					f <sub>m</sub> = 1kHz	22	35	—	
					f <sub>m</sub> = 10kHz	—	30	—	
Total Harmonic Distortion	Monaural	THD (MONAURAL)	—	V <sub>in</sub> = 100mV <sub>rms</sub> SW <sub>1</sub> →R <sub>LED</sub> = 500Ω	—	0.2	1.5	%	
	Stereo	THD (STEREO)	—	L + R = 90mV <sub>rms</sub> , P = 10mV <sub>rms</sub> SW <sub>1</sub> →R <sub>LED</sub> = 50kΩ SW <sub>5</sub> →LPF ON	—	0.4	—		
Voltage Gain		G <sub>V</sub>	—	V <sub>in</sub> = 100mV <sub>rms</sub> SW <sub>1</sub> →R <sub>LED</sub> = 500Ω	-4	-2	1	dB	
Channel Balance		CB	—	V <sub>in</sub> = 100mV <sub>rms</sub> SW <sub>1</sub> →R <sub>LED</sub> = 500Ω	—	0	2.0	dB	
Lamp ON Sensitivity		V <sub>L</sub> (ON)	—	Pilot input	SW <sub>1</sub> →R <sub>LED</sub> = 50kΩ	—	—	5	mV <sub>rms</sub>
Lamp OFF Sensitivity		V <sub>L</sub> (OFF)	—			SW <sub>1</sub> →R <sub>LED</sub> = 500Ω	7	—	
Stereo Lamp Hysteresis		V <sub>H</sub>	—	to turn-off from turn-on	—	3	—	mV <sub>rms</sub>	
Capture Range		CR	—	P = 10mV <sub>rms</sub>	—	±3	—	%	
Carrier Leak (Note)	19kHz	CL	—	L + R = 90mV <sub>rms</sub> P = 10mV <sub>rms</sub> SW <sub>1</sub> →R <sub>LED</sub> = 50kΩ	—	30	—	dB	
	38kHz				—	50	—		
SCA Rejection Ratio		SCA Rej	—	P = 10mV <sub>rms</sub> , L + R = 80mV <sub>rms</sub> SCA = 10mV <sub>rms</sub> , f <sub>SCA</sub> = 67kHz SW <sub>1</sub> →R <sub>LED</sub> = 50kΩ	—	70	—	dB	
Signal To Noise Ratio		S/N	—	V <sub>in</sub> = 100mV <sub>rms</sub> , R <sub>g</sub> = 620Ω SW <sub>1</sub> →R <sub>LED</sub> = 500Ω	—	65	—	dB	

(Note) Carrier leak of 38kHz is only carrier.

**DC CHARACTERISTICS** $(V_{CC} = 1.5V, T_a = 25^{\circ}C, \text{ terminal voltage at no signal})$ 

PIN No.	SYMBOL	TYP.	UNIT
PIN ① ( $V_{CC}$ )	$V_1$	1.5	V
PIN ② (INPUT)	$V_2$	0.6	V
PIN ③ (LPF1)	$V_3$	0.7	V
PIN ④ (NC)	$V_4$	—	V
PIN ⑤ (VCO)	$V_5$	0.8	V
PIN ⑥ (VCO ADJ)	$V_6$	1.5	V
PIN ⑦ (GND)	$V_7$	0	V
PIN ⑧ (LED GND)	$V_8$	0	V
PIN ⑨ ( $V_L$ ADJ)	$V_9$	0.05	V
PIN ⑩ (LED)	$V_{10}$	—	V
PIN ⑪ (LPF2)	$V_{11}$	0.7	V
PIN ⑫ (NC)	$V_{12}$	—	V
PIN ⑬ (VCO STOP)	$V_{13}$	—	V
PIN ⑭ (NC)	$V_{14}$	—	V
PIN ⑮ (L-ch OUTPUT)	$V_{15}$	0.65	V
PIN ⑯ (R-ch OUTPUT)	$V_{16}$	0.65	V

TEST CIRCUIT

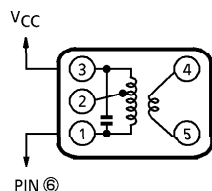


AMP : TA75458P  
 LPF : FB-3604 (SUMIDA)  
 <Attenuation>  
 f = 19kHz : 55dB (MIN.)  
 f = 38kHz : 55dB (MIN.)

- SW<sub>1</sub> Lamp (stereo indicator) ON / OFF check  
 Lamp ON SW<sub>1</sub> : 50kΩ  
 Lamp OFF SW<sub>1</sub> : 500Ω
- SW<sub>2</sub> VCO stop switch pin<sup>⑬</sup> connected to V<sub>CC</sub> (compulsive monaural)
- SW<sub>3</sub> VCO monitor  
 At monitor mode, pin<sup>⑩</sup> is connected to the resistor (150kΩ) at test circuit.  
 In case that the input has no pilot signal and pin<sup>⑧</sup> is connected to GND, it is possible to check the VCO frequency, too.
- SW<sub>4</sub> L<sub>out</sub> / R<sub>out</sub> switchover
- SW<sub>5</sub> LPF switchover

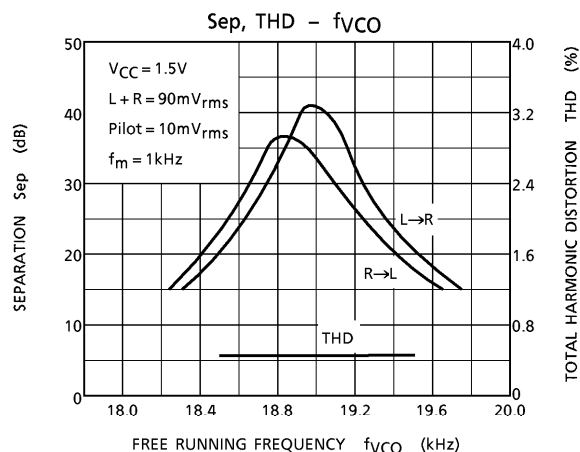
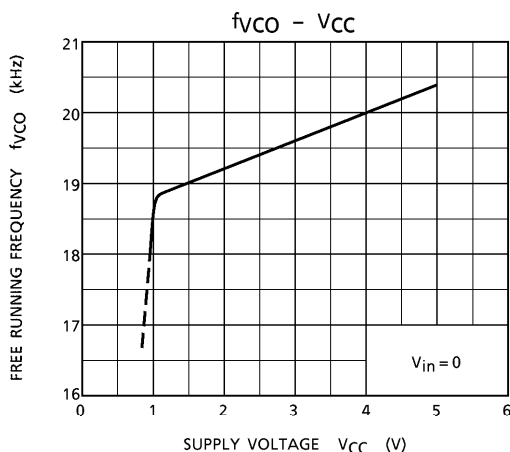
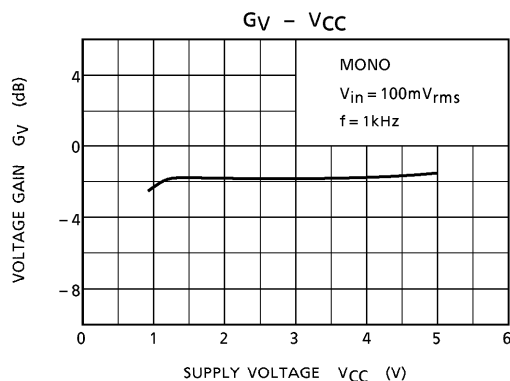
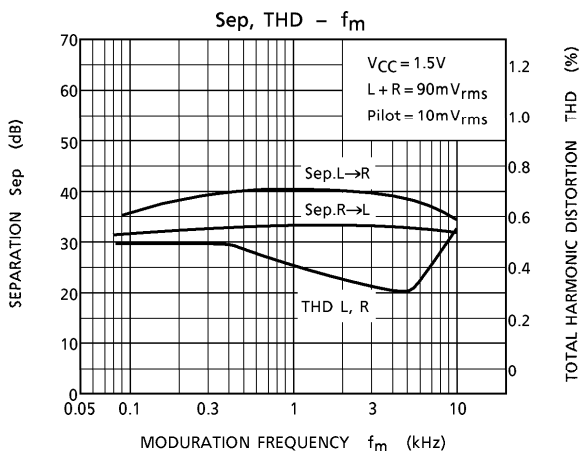
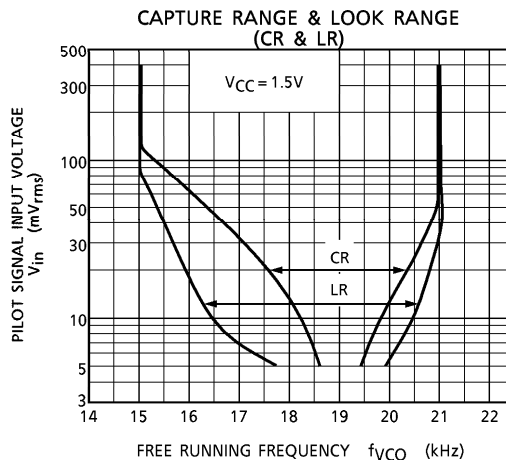
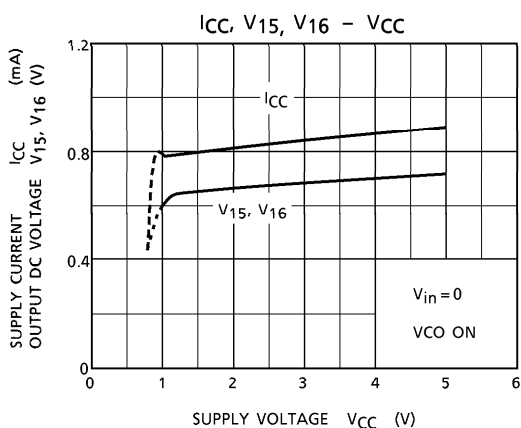
(Note) In the test of ELECTRICAL CHARACTERISTIC  
 Monaural mode (V<sub>in</sub> = 100mV<sub>rms</sub>) SW<sub>1</sub> : 500Ω  
 Stereo mode (L + R = 90mV<sub>rms</sub>, P = 10mV<sub>rms</sub>) SW<sub>1</sub> : 50kΩ

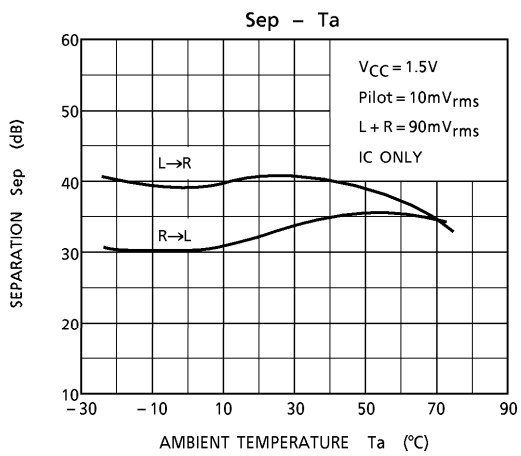
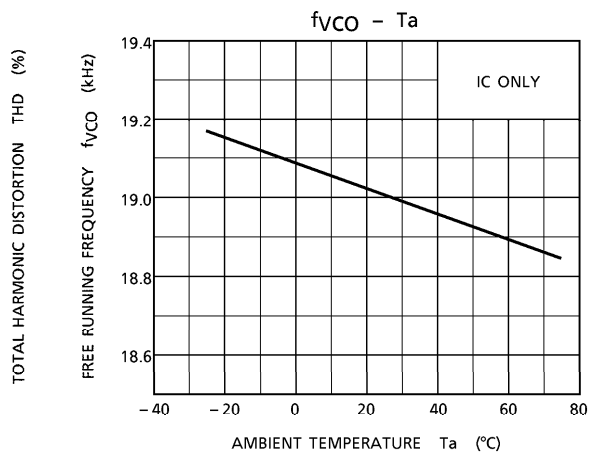
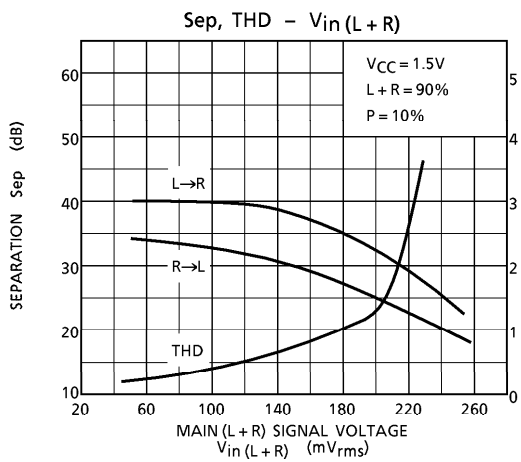
COIL DATA (Test circuit)



C <sub>O</sub> (pF)	f (kHz)	Q <sub>O</sub> 1-3	TURN		
			1-2	2-3	4-6
180	455	110	146	6	13

SUMIDA ELECTRIC Co., Ltd.  
 : 44M-037-935C  
 WITE : 0.07mmφ UEW

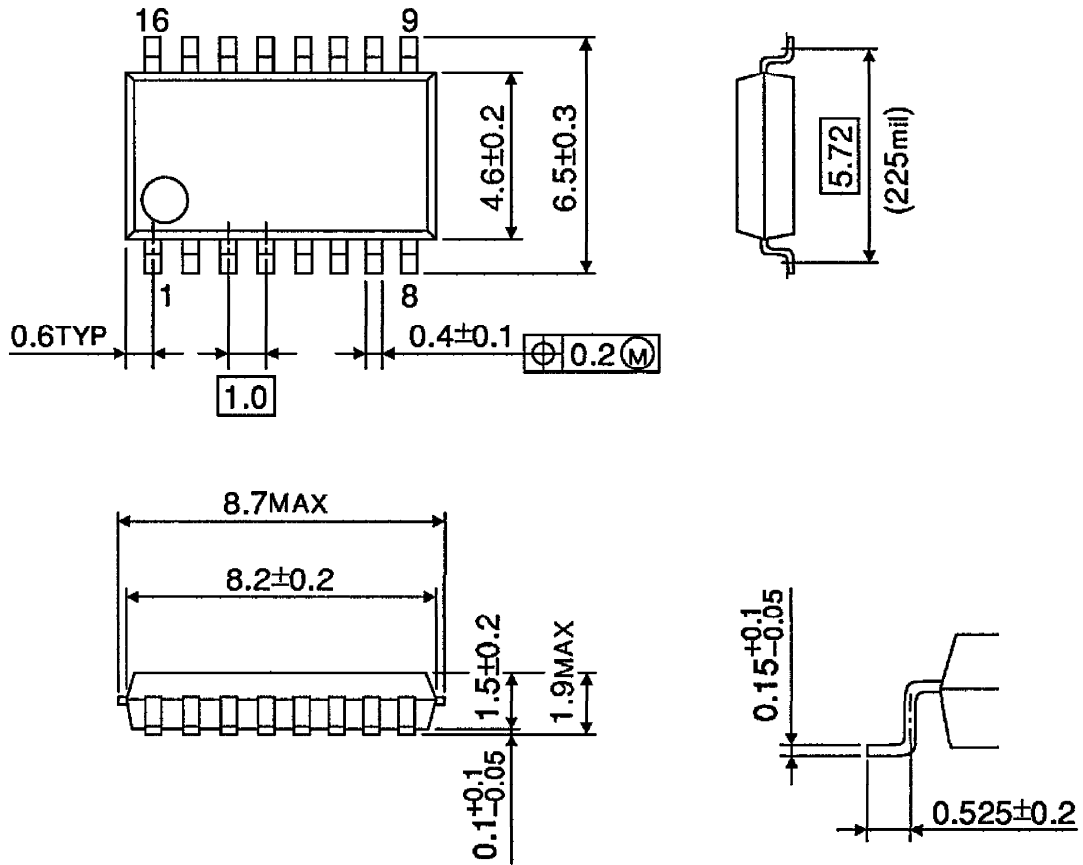






OUTLINE DRAWING  
SSOP16-P-225-1.00A

Unit : mm



Weight : 0.14g (Typ.)