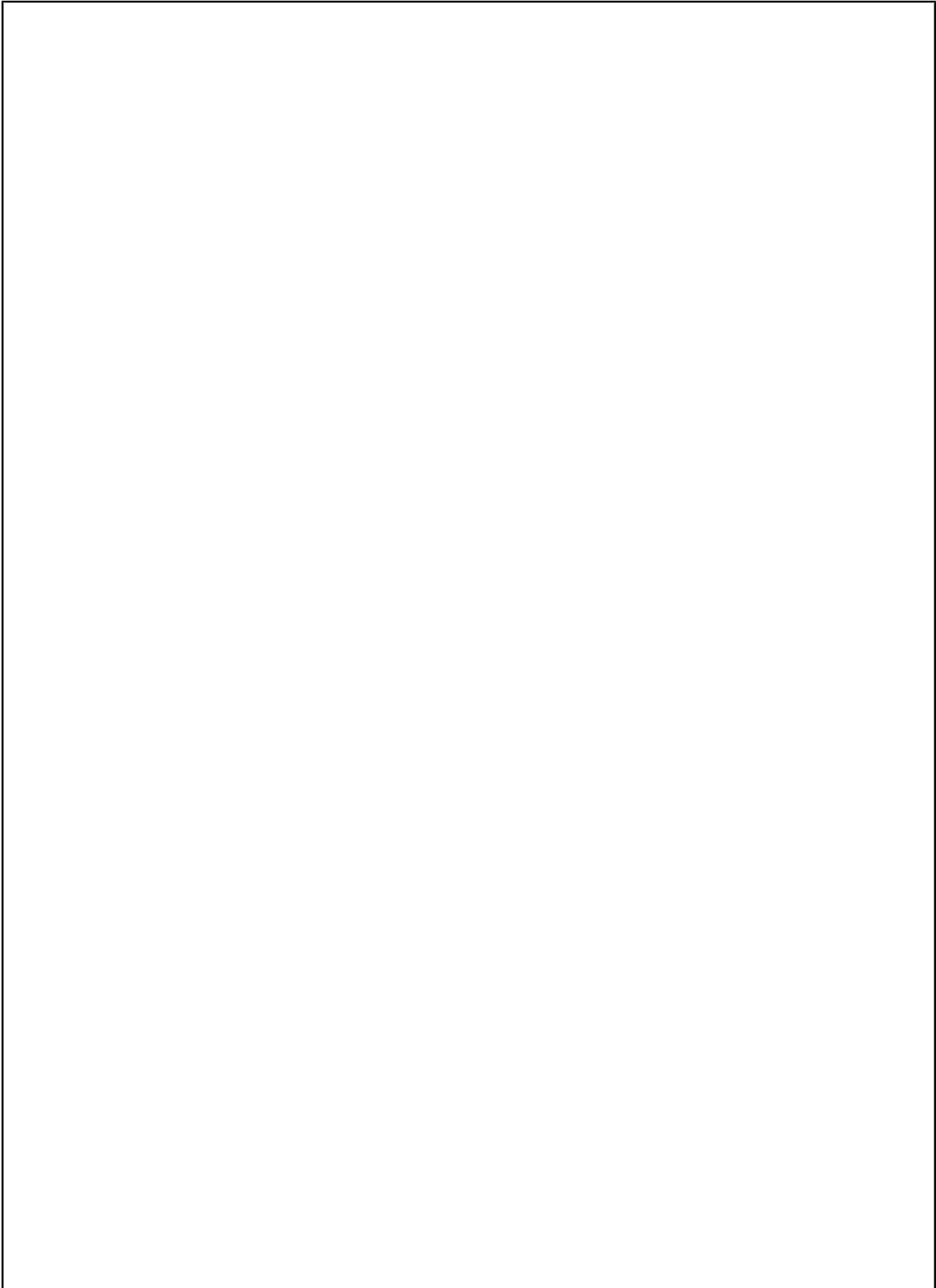


TOSHIBA

8 Bit Microcontroller
TLCS-870/C1 Series

TMP89FM82

TOSHIBA CORPORATION



© 2009 TOSHIBA CORPORATION
All Rights Reserved

Considerations for using Motor Control Circuit

(PMD:Programmable Motor Driver)

Following considerations are necessary for writing data to electrical lead angle timer (ELDEG) and reading 2 bytes registers.

1. Writing data to electrical lead angle timer (ELDEG)

In case of writing the maximum data 0x017F and the minimum data 0x0000 to electrical angle timer during operating, there is a case that counter value may not clear.

- Do not write 0x017F(383) to ELDEG register during up count operation.
- Do not write 0x0000 to ELDEG register during down count operation.

2. Reading 2 bytes registers

In case of reading 2 bytes register (MCAP,CMPI,COMPV,COMPW,MDCNT,EDCAP,ELDEG) during operating, there is a case that non proper value is read.

The following consideration is needed for reading each register.

- MCAP, EDCAP

Read before next INTPDC (Position Detect interrupt).

- COMPU, COMPV, COMPW

Read the registers during operation stop (EDCRB<CALCBSY>=0)

- MDCNT

Read MDCNT register after PWM waveform generation circuit stop (MDCRA<PWMEN>=0).

- ELDEG

Read ELDEG register two or more times and compare them with expected data



Revision History

Date	Revision	Comment
2009/12/14	Tentative 1	First Release
2010/1/29	1	First Release
2010/6/8	2	add page 3 "Considerations for using Motor Control Circuit"

Table of Contents

Considerations for using Motor Control Circuit

TMP89FM82

1.1 Features	1
1.2 Pin Assignment	3
1.3 Block Diagram	4
1.4 Pin Names and Functions	5

2. CPU Core

2.1 Configuration	9
2.2 Memory space	9
2.2.1 Code area.....	9
2.2.1.1 RAM	
2.2.1.2 BOOTROM	
2.2.1.3 Flash	
2.2.2 Data area.....	13
2.2.2.1 SFR	
2.2.2.2 RAM	
2.2.2.3 BOOTROM	
2.2.2.4 Flash	
2.3 System clock controller	16
2.3.1 Configuration.....	16
2.3.2 Control.....	16
2.3.3 Functions.....	19
2.3.3.1 Clock generator	
2.3.3.2 Clock gear	
2.3.3.3 Timing generator	
2.3.4 Warm-up counter.....	22
2.3.4.1 Warm-up counter operation when the oscillation is enabled by the hardware	
2.3.4.2 Warm-up counter operation when the oscillation is enabled by the software	
2.3.5 Clock multiplier (PLL).....	24
2.3.5.1 PLL start	
2.3.5.2 PLL stop	
2.3.6 Operation mode control circuit.....	27
2.3.6.1 Single-clock mode	
2.3.6.2 Dual-clock mode	
2.3.6.3 STOP mode	
2.3.6.4 Transition of operation modes	
2.3.7 Operation Mode Control.....	32
2.3.7.1 STOP mode	
2.3.7.2 IDLE1/2 and SLEEP1 modes	
2.3.7.3 IDLE0 and SLEEP0 modes	
2.3.7.4 SLOW mode	
2.4 Reset Control Circuit	42
2.4.1 Configuration.....	42
2.4.2 Control.....	42
2.4.3 Functions.....	43
2.4.4 Reset Signal Generating Factors.....	45
2.4.4.1 Power-on reset	
2.4.4.2 External reset input (RESET pin input)	
2.4.4.3 Voltage detection reset	

2.4.4.4	Watchdog timer reset	
2.4.4.5	System clock reset	
2.4.4.6	Trimming data reset	
2.4.4.7	Voltage detection reset	
2.4.4.8	Flash standby reset	
2.4.4.9	Internal factor reset detection status register	

3. Interrupt Control Circuit

3.1	Configuration	51
3.2	Interrupt Latches (IL35 to IL3)	52
3.3	Interrupt Enable Register (EIR)	53
3.3.1	Interrupt master enable flag (IMF)	53
3.3.2	Individual interrupt enable flags (EF35 to EF4)	53
3.4	Maskable Interrupt Priority Change Function	57
3.5	Interrupt Sequence	60
3.5.1	Initial Setting	60
3.5.2	Interrupt acceptance processing	60
3.5.3	Saving/restoring general-purpose registers	61
3.5.3.1	Using PUSH and POP instructions	
3.5.3.2	Using data transfer instructions	
3.5.3.3	Using a register bank to save/restore general-purpose registers	
3.5.4	Interrupt return	63
3.6	Software Interrupt (INTSW)	64
3.6.1	Address error detection	64
3.6.2	Debugging	64
3.7	Undefined Instruction Interrupt (INTUNDEF)	64

4. External Interrupt control circuit

4.1	Configuration	65
4.2	Control	65
4.3	Function	69
4.3.1	Low power consumption function	70
4.3.2	External interrupt 0	70
4.3.3	External interrupts 1/2/3	71
4.3.3.1	Interrupt request signal generating condition detection function	
4.3.3.2	A noise canceller pass signal monitoring function when interrupt request signals are generated	
4.3.3.3	Noise cancel time selection function	
4.3.4	External interrupt 4	72
4.3.4.1	Interrupt request signal generating condition detection function	
4.3.4.2	A noise canceller pass signal monitoring function when interrupt request signals are generated	
4.3.4.3	Noise cancel time selection function	
4.3.5	External interrupt 5	74

5. Watchdog Timer (WDT)

5.1	Configuration	75
5.2	Control	76
5.3	Functions	78
5.3.1	Setting of enabling/disabling the watchdog timer operation	78
5.3.2	Setting the clear time of the 8-bit up counter	78
5.3.3	Setting the overflow time of the 8-bit up counter	79
5.3.4	Setting an overflow detection signal of the 8-bit up counter	79
5.3.5	Writing the watchdog timer control codes	80
5.3.6	Reading the 8-bit up counter	80
5.3.7	Reading the watchdog timer status	80

6. Power-on Reset Circuit

6.1 Configuration	83
6.2 Function	83

7. Voltage Detection Circuit

7.1 Configuration	85
7.2 Control	86
7.3 Function	87
7.3.1 Enabling/disabling the voltage detection operation.....	87
7.3.2 Selecting the voltage detection operation mode.....	87
7.3.3 Selecting the detection voltage level.....	88
7.3.4 Voltage detection flag and voltage detection status flag.....	88
7.4 Register Settings	90
7.4.1 Setting procedure when the operation mode is set to generate INTVLTD interrupt request signals.....	90
7.4.2 Setting procedure when the operation mode is set to generate voltage detection reset signals.....	90

8. I/O Ports

8.1 I/O Port Control Registers	95
8.2 List of I/O Port Settings	96
8.3 I/O Port Registers	100
8.3.1 Port P0 (P03 to P02).....	100
8.3.2 Port P1 (P13 to P11).....	104
8.3.3 Port P2 (P27 to P20).....	107
8.3.4 Port P4 (P47 to P40).....	111
8.3.5 Port P7 (P75 to P70).....	115
8.3.6 Port P8 (P87 to P80).....	118
8.3.7 Port P9 (P93 to P90).....	122
8.4 Serial Interface Selecting Function	124

9. Special Function Registers

9.1 SFR1 (0x0000 to 0x003F)	127
9.2 SFR2 (0x0F00 to 0x0FFF)	128
9.3 SFR3 (0x0E40 to 0x0EFF)	130

10. Low Power Consumption Function for Peripherals

10.1 Control	134
---------------------------	-----

11. Divider Output ($\overline{\text{DVO}}$)

11.1 Configuration	137
11.2 Control	138
11.3 Function	139

12. Time Base Timer (TBT)

12.1 Time Base Timer	141
12.1.1 Configuration.....	141
12.1.2 Control.....	141
12.1.3 Functions.....	142

13. 16-bit Timer Counter (TCA)

13.1 Configuration	146
13.2 Control	147
13.3 Low Power Consumption Function	152
13.4 Timer Function	153
13.4.1 Timer mode.....	153
13.4.1.1 Setting	
13.4.1.2 Operation	
13.4.1.3 Auto capture	
13.4.1.4 Register buffer configuration	
13.4.2 External trigger timer mode.....	157
13.4.2.1 Setting	
13.4.2.2 Operation	
13.4.2.3 Auto capture	
13.4.2.4 Register buffer configuration	
13.4.3 Event counter mode.....	159
13.4.3.1 Setting	
13.4.3.2 Operation	
13.4.3.3 Auto capture	
13.4.3.4 Register buffer configuration	
13.4.4 Window mode.....	161
13.4.4.1 Setting	
13.4.4.2 Operation	
13.4.4.3 Auto capture	
13.4.4.4 Register buffer configuration	
13.4.5 Pulse width measurement mode.....	163
13.4.5.1 Setting	
13.4.5.2 Operation	
13.4.5.3 Capture process	
13.4.6 Programmable pulse generate (PPG) mode.....	166
13.4.6.1 Setting	
13.4.6.2 Operation	
13.4.6.3 Register buffer configuration	
13.5 Noise Canceller	169
13.5.1 Setting.....	169

14. 8-bit Timer Counter (TC0)

14.1 Configuration	172
14.2 Control	173
14.2.1 Timer counter 00.....	173
14.2.2 Timer counter 01.....	175
14.2.3 Common to timer counters 00 and 01.....	177
14.2.4 Operation modes and usable source clocks.....	179
14.3 Low Power Consumption Function	180
14.4 Functions	181
14.4.1 8-bit timer mode.....	181
14.4.1.1 Setting	
14.4.1.2 Operation	
14.4.1.3 Double buffer	
14.4.2 8-bit event counter mode.....	184

14.4.2.1	Setting	
14.4.2.2	Operation	
14.4.2.3	Double buffer	
14.4.3	8-bit pulse width modulation (PWM) output mode.....	186
14.4.3.1	Setting	
14.4.3.2	Operations	
14.4.3.3	Double buffer	
14.4.4	8-bit programmable pulse generate (PPG) output mode.....	191
14.4.4.1	Setting	
14.4.4.2	Operation	
14.4.4.3	Double buffer	
14.4.5	16-bit timer mode.....	195
14.4.5.1	Setting	
14.4.5.2	Operations	
14.4.5.3	Double buffer	
14.4.6	16-bit event counter mode.....	199
14.4.6.1	Setting	
14.4.6.2	Operations	
14.4.6.3	Double buffer	
14.4.7	12-bit pulse width modulation (PWM) output mode.....	201
14.4.7.1	Setting	
14.4.7.2	Operations	
14.4.7.3	Double buffer	
14.4.8	16-bit programmable pulse generate (PPG) output mode.....	207
14.4.8.1	Setting	
14.4.8.2	Operations	
14.4.8.3	Double buffer	

15. Asynchronous Serial Interface (UART)

15.1	Configuration.....	212
15.2	Control.....	213
15.3	Low Power Consumption Function.....	217
15.4	Protection to Prevent UART0CR1 and UART0CR2 Registers from Being Changed	218
15.5	Activation of STOP, IDLE0 or SLEEP0 Mode.....	219
15.5.1	Transition of register status.....	219
15.5.2	Transition of TXD pin status.....	219
15.6	Transfer Data Format.....	220
15.7	Infrared Data Format Transfer Mode.....	220
15.8	Transfer Baud Rate.....	221
15.8.1	Transfer baud rate calculation method.....	222
15.8.1.1	Bit width adjustment using UART0CR2<RTSEL>	
15.8.1.2	Calculation of set values of UART0CR2<RTSEL> and UART0DR	
15.9	Data Sampling Method.....	225
15.10	Received Data Noise Rejection.....	227
15.11	Transmit/Receive Operation.....	228
15.11.1	Data transmit operation.....	228
15.11.2	Data receive operation.....	228
15.12	Status Flag.....	229
15.12.1	Parity error.....	229
15.12.2	Framing Error.....	230
15.12.3	Overrun error.....	231
15.12.4	Receive Data Buffer Full.....	234
15.12.5	Transmit busy flag.....	235
15.12.6	Transmit Buffer Full.....	235
15.13	Receiving Process.....	236
15.14	AC Properties.....	238
15.14.1	IrDA properties.....	238

16. Synchronous Serial Interface (SIO)

16.1	Configuration	240
16.2	Control	241
16.3	Low Power Consumption Function	244
16.4	Functions	245
16.4.1	Transfer format.....	245
16.4.2	Serial clock.....	245
16.4.3	Transfer edge selection.....	245
16.5	Transfer Modes	247
16.5.1	8-bit transmit mode.....	247
16.5.1.1	Setting	
16.5.1.2	Starting the transmit operation	
16.5.1.3	Transmit buffer and shift operation	
16.5.1.4	Operation on completion of transmission	
16.5.1.5	Stopping the transmit operation	
16.5.2	8-bit Receive Mode.....	252
16.5.2.1	Setting	
16.5.2.2	Starting the receive operation	
16.5.2.3	Operation on completion of reception	
16.5.2.4	Stopping the receive operation	
16.5.3	8-bit transmit/receive mode.....	256
16.5.3.1	Setting	
16.5.3.2	Starting the transmit/receive operation	
16.5.3.3	Transmit buffer and shift operation	
16.5.3.4	Operation on completion of transmission/reception	
16.5.3.5	Stopping the transmit/receive operation	
16.6	AC Characteristics	261

17. Serial Expansion Interface (SEI)

17.1	Features	263
17.2	SEI Registers	264
17.2.1	SEI Control Register (SECR).....	264
17.2.1.1	Transfer rate	
17.2.2	SEI Status Register (SESR).....	265
17.2.3	SEI Data Register (SEDR).....	265
17.3	SEI Operation	266
17.3.1	Controlling SEI clock polarity and phase	266
17.3.2	SEI data and clock timing	266
17.4	SEI Pin Functions	267
17.4.1	SECLK pin	267
17.4.2	MISO/MOSI pins	267
17.4.3	SS pin	267
17.5	SEI Transfer Formats	269
17.5.1	CPHA (SECR register bit 2) = 0 format	269
17.5.2	CPHA = 1 format	270
17.6	Functional Description	271
17.7	Interrupt Generation	272
17.8	SEI System Errors	272
17.8.1	Mode fault error	272
17.8.2	Write collision error.....	272
17.8.3	Overflow error	273
17.8.4	Transfer error	273
17.9	Bus Driver Protection	273
17.10	Flow chart	274

18. Key-on Wakeup (KWU)

18.1	Configuration	277
-------------	----------------------------	-----

18.2	Control	278
18.3	Functions	279

19. Motor Control Circuit (PMD: Programmable motor driver)

19.1	Outline of Motor Control	282
19.2	Configuration of the Motor Control Circuit	283
19.3	Position Detection Unit	285
19.3.1	Configuration of the position detection unit.....	286
19.3.2	Position Detection Circuit Register Functions.....	287
19.3.3	Outline Processing in the Position Detection Unit.....	291
19.4	Timer Unit	292
19.4.1	Configuration of the Timer Unit.....	293
19.4.1.1	Timer Circuit Register Functions	
19.4.1.2	Outline Processing in the Timer Unit	
19.5	Three-phase PWM Output Unit	297
19.5.1	Configuration of the three-phase PWM output unit.....	297
19.5.1.1	Pulse width modulation circuit (PWM waveform generating unit)	
19.5.1.2	Commutation control circuit	
19.5.1.3	Dead time circuit	
19.5.2	Register Functions of the Waveform Synthesis Circuit.....	304
19.5.3	Port output as set with UOC/VOC/WOC bits and UPWM/VPWM/WPWM bits.....	308
19.5.4	Protective Circuit.....	310
19.5.5	Functions of Protective Circuit Registers.....	312
19.6	Electrical Angle Timer and Waveform Arithmetic Circuit	314
19.6.1	Electrical Angle Timer and Waveform Arithmetic Circuit.....	315
19.6.1.1	Functions of the Electrical Angle Timer and Waveform Arithmetic Circuit Registers	
19.7	List of PMD Related Control Registers	321
19.7.1	Input/output Pins and Input/output Control Registers.....	321
19.7.2	Motor Control Circuit Control Registers.....	322

20. 10-bit AD Converter (ADC)

20.1	Configuration	329
20.2	Control	330
20.3	Functions	334
20.3.1	Single mode.....	334
20.3.2	Trigger start single mode.....	334
20.3.3	Repeat mode.....	335
20.3.4	AD operation disable and forced stop of AD operation.....	336
20.4	Register Setting	337
20.5	Starting STOP/IDLE0/SLOW Modes	337
20.6	Analog Input Voltage and AD Conversion Result	338
20.7	Precautions about the AD Converter	339
20.7.1	Analog input pin voltage range.....	339
20.7.2	Analog input pins used as input/output ports.....	339
20.7.3	Noise countermeasure.....	339

21. Flash Memory

21.1	Flash Memory Control	342
21.2	Functions	346
21.2.1	Flash memory command sequence execution and toggle control (FLSCR1 <FLSMD>).....	346
21.2.2	Flash memory area switching (FLSCR1<FAREA>).....	347
21.2.3	RAM area switching (SYSCR3<RAREA>).....	348

21.2.4	BOOTROM area switching (FLSCRI<BAREA>)	348
21.2.5	Flash memory standby control (FLSSTB<FSTB>)	350
21.2.6	Protect cancel mode (FLSVPR<VPREG>)	350
21.2.7	Protect set up	350
21.2.8	Port input control register (SPCR<PIN0, PIN1>)	351
21.3	Command Sequence	352
21.3.1	Byte program	352
21.3.2	Sector erase (partial erase by sector)	353
21.3.3	Chip erase (all erase)	354
21.3.4	Product ID entry	354
21.3.5	Product ID exit	354
21.3.6	Security program	354
21.4	Toggle Bit (D6)	355
21.5	Access to the Flash Memory Area	356
21.5.1	Flash memory control in serial PROM mode	356
21.5.1.1	How to transfer and write a control program to the RAM area in RAM loader mode of the serial PROM mode	
21.5.2	Flash memory control in MCU mode	359
21.5.2.1	How to write to the flash memory by transferring a control program to the RAM area	
21.5.2.2	How to write to the flash memory by using a support program (API) of BOOTROM	
21.5.2.3	How to set the security program by using a support program (API) of BOOTROM	
21.5.2.4	How to read data from flash memory	
21.6	API (Application Programming Interface)	367
21.6.1	.BTWrite	368
21.6.2	.BTEraseSec	368
21.6.3	.BTEraseChip	368
21.6.4	.BTGetSP	369
21.6.5	.BTSetSP	369
21.6.6	.BTCalcUART	370

22. Serial PROM Mode

22.1	Outline	373
22.2	Security	373
22.3	Serial PROM Mode Setting	374
22.3.1	Serial PROM mode control pins	374
22.4	Example Connection for On-board Writing	376
22.5	Activating the Serial PROM Mode	377
22.6	Interface Specifications	378
22.6.1	SIO communication	378
22.6.2	UART communication	378
22.7	Memory Mapping	380
22.8	Operation Commands	380
22.8.1	Flash memory erase command (0xF0)	383
22.8.1.1	Specifying the erase area	
22.8.2	Flash memory write command (operation command: 0x30)	386
22.8.3	Flash memory read command (operation command: 0x40)	388
22.8.4	RAM loader command (operation command: 0x60)	390
22.8.5	Flash memory SUM output command (operation command: 0x90)	392
22.8.6	Product ID code output command (operation command: 0xC0)	393
22.8.7	Flash memory status output command (0xC3)	395
22.8.7.1	Flash memory status code	
22.8.8	Mask ROM emulation setting command (0xD0)	398
22.8.9	Flash memory security setting command (0xFA)	399
22.9	Error Code	400
22.10	Checksum (SUM)	401
22.10.1	Calculation method	401
22.10.2	Calculation data	401
22.11	Intel Hex Format (Binary)	402
22.12	Security	403
22.12.1	Passwords	403

22.12.1.1	How a password can be specified	
22.12.1.2	Password structure	
22.12.1.3	Password setting, cancellation and authentication	
22.12.1.4	Password values and setting range	
22.12.2	Security program	407
22.12.2.1	How the security program functions	
22.12.2.2	Enabling or disabling the security program	
22.12.3	Option codes	408
22.12.4	Recommended settings	410
22.13	Flowchart	411
22.14	AC Characteristics (UART)	412
22.14.1	Reset timing	413
22.14.2	Flash memory erase command (0xF0)	413
22.14.3	Flash memory write command (0x30)	414
22.14.4	Flash memory read command (0x40)	414
22.14.5	RAM loader command (0x60)	415
22.14.6	Flash memory SUM output command (0x90)	415
22.14.7	Product ID code output command (0xC0)	415
22.14.8	Flash memory status output command (0xC3)	416
22.14.9	Mask ROM emulation setting command (0xD0)	416
22.14.10	Flash memory security setting command (0xFA)	416

23. On-chip Debug Function (OCD)

23.1	Features	417
23.2	Control Pins	417
23.3	How to Connect the On-chip Debug Emulator to a Target System	418
23.4	Security	418

24. Input/Output Circuit

24.1	Control Pins	419
-------------	---------------------	------------

25. Electrical Characteristics

25.1	Absolute Maximum Ratings	421
25.2	Operating Conditions	422
25.2.1	MCU mode (Flash Programming or erasing)	422
25.2.2	MCU mode (Except Flash Programming or erasing)	423
25.2.3	Serial PROM mode	424
25.3	DC Characteristics	425
25.4	AD Conversion Characteristics	427
25.5	Power-on Reset Circuit Characteristics	427
25.6	Voltage Detecting Circuit Characteristics	428
25.7	AC Characteristics	429
25.7.1	MCU mode (Flash programming or erasing)	429
25.7.2	MCU mode (Except Flash Programming or erasing)	429
25.7.3	Serial PROM mode	429
25.8	Flash Characteristics	430
25.8.1	Write characteristics	430
25.9	Oscillating Condition	431
25.10	Handling Precaution	432



26. Package Dimensions

CMOS 8-Bit Microcontroller

TMP89FM82

The TMP89FM82 is a single-chip 8-bit microcomputer. The TMP89FM82 has PMD (Programmable Motor Driver) which supports square wave drive and sine wave drive of brushless DC motors. Because PMD automatically operates the PWM duty of the sine wave drive, and the PWM shape of waves is generated, the load of CPU can be greatly decreased. Housed in a 7mm corner mini-flat package, the TMP89FM82 is best suited for high-density implementation of user systems.

Product No.	ROM (Flash)	RAM	Package	Emulation Chip
TMP89FM82DUG	32768 bytes	2048 bytes	LQFP48-P-0707-0.50D	* -

Note : * ; The In-Circuit Emulation system is not designed for this product. Please use RTE870/C1 On-chip Debug Emulation System.

1.1 Features

1. 8-bit single chip microcomputer TLCS-870/C1 series
 - Instruction execution time :
 - 125 ns (at 8 MHz)
 - 122 μs (at 32.768 kHz)
 - 133 types & 732 basic instructions
2. 33 interrupt sources (External : 6 Internal : 27 , Except reset)
3. Input / Output ports (39 pins)
 - Large current output: 20 pins (Typ. 20mA)
4. Watchdog timer
 - Interrupt or reset can be selected by the program.
5. Power-on reset circuit
6. Voltage detection circuit
7. Divider output function
8. Time base timer
9. 16-bit timer counter (TCA) : 2 ch
 - Timer, External trigger, Event Counter, Window, Pulse width measurement, PPG OUTPUT modes
10. 8-bit timer counter (TC0) : 4 ch
 - Timer, Event Counter, PWM, PPG OUTPUT modes
 - Usable as a 16-bit timer, 12-bit PWM output and 16-bit PPG output by the cascade connection of two channels.
11. UART/SIO : 1ch
12. UART/SEI : 1ch
13. Key-on wake-up : 4 ch
14. Programmable Motor Driver (PMD) : 1ch
 - Sine wave drive circuit
 - Built-in sine wave data-table RAM (Reading and Writing by using register is possible)
 - Support for pseudo-trapezoidal waveform output
 - Rotor position detect function

- Motor control timer and capture function
 - Overload protective function
 - Auto commutation and position detection start function
15. 10-bit successive approximation type AD converter
- Analog input : 8ch
16. On-chip debug function
- Break/Event
 - Trace
 - RAM monitor
 - Flash memory writing
17. Clock operation mode control circuit : 2 circuit
- Single clock mode / Dual clock mode
18. Low power consumption operation (8 mode)
- STOP mode:
 - Oscillation stops. (Battery/Capacitor back-up.)
 - SLOW1 mode:
 - Low power consumption operation using low-frequency clock.(High-frequency clock stop.)
 - SLOW2 mode:
 - Low power consumption operation using low-frequency clock.(High-frequency clock oscillate.)
 - IDLE0 mode:
 - CPU stops, and only the Time-Based-Timer(TBT) on peripherals operate using high frequency clock. Released when the reference time set to TBT has elapsed.
 - IDLE1 mode:
 - The CPU stops, and peripherals operate using high frequency clock. Release by interrupts(CPU restarts).
 - IDLE2 mode:
 - CPU stops and peripherals operate using high and low frequency clock. Release by interrupts. (CPU restarts).
 - SLEEP0 mode:
 - CPU stops, and only the Time-Based-Timer(TBT) on peripherals operate using low frequency clock. Released when the reference time set to TBT has elapsed.
 - SLEEP1 mode:
 - CPU stops, and peripherals operate using low frequency clock. Release by interrupt.(CPU restarts).
19. Wide operation voltage:

4.5 V to 5.5 V at 8MHz /32.768 kHz

1.2 Pin Assignment

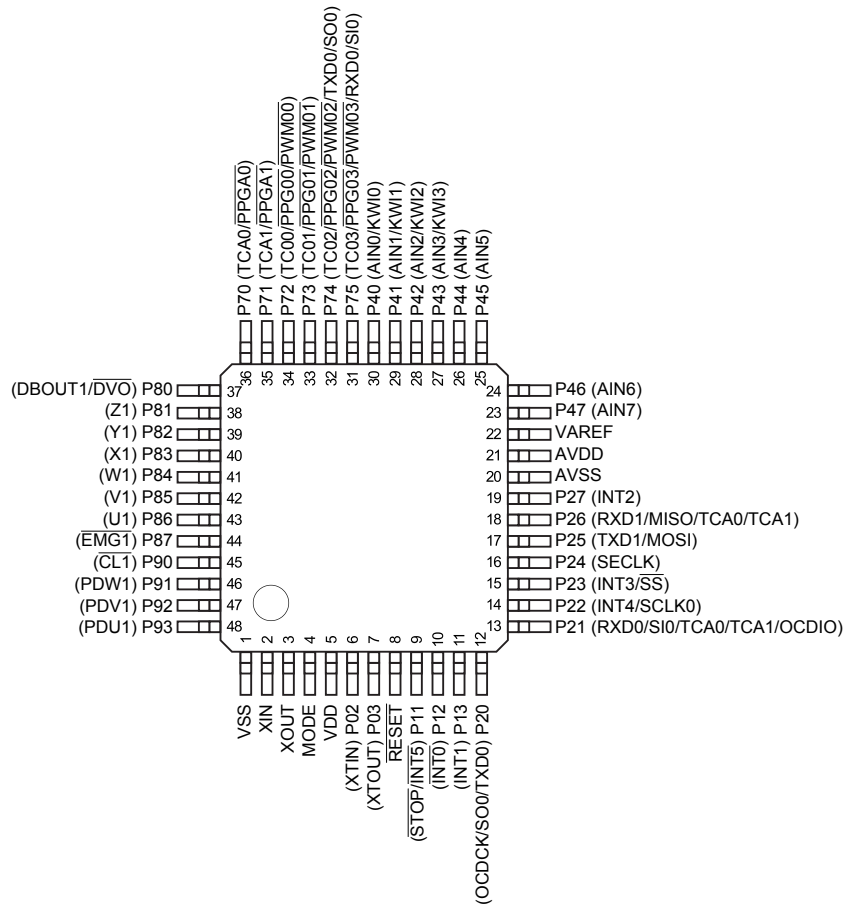


Figure 1-1 Pin Assignment

1.3 Block Diagram

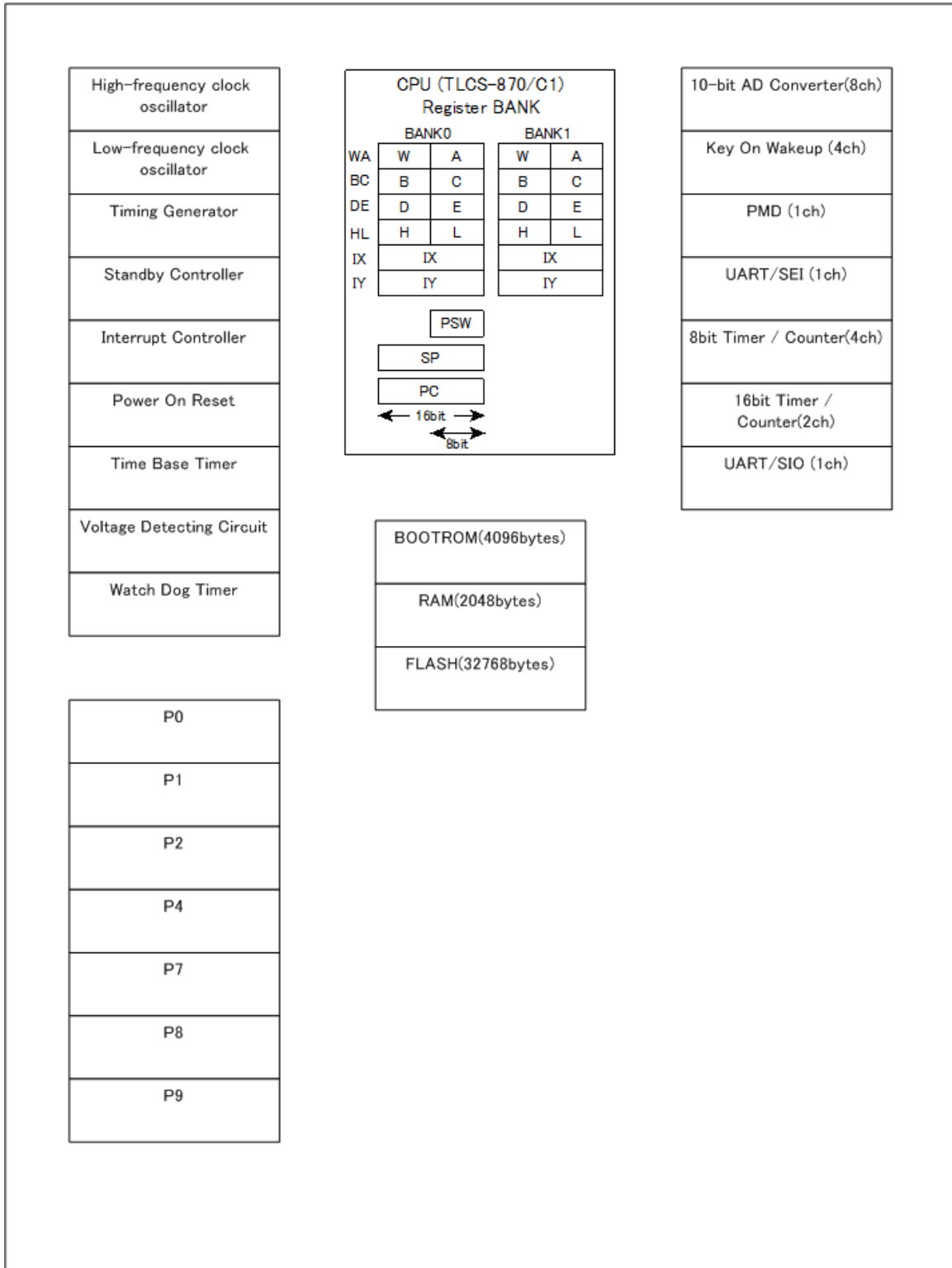


Figure 1-2 Block Diagram

1.4 Pin Names and Functions

The TMP89FM82 has MCU mode, parallel PROM mode, and serial PROM mode. Table 1-1 shows the pin functions in MCU mode. The serial PROM mode is explained later in a separate chapter.

Table 1-1 Pin Names and Functions (1/4)

Pin Name	Input/Output	Functions
P03 XTOUT	IO O	PORT03 Low frequency OSC output
P02 XTIN	IO I	PORT02 Low frequency OSC input
P13 INT1	IO I	PORT13 External interrupt 1 input
P12 INT0	IO I	PORT12 External interrupt 0 input
P11 INT5 STOP	IO I I	PORT11 External interrupt 5 input STOP mode release input
P27 INT2	IO I	PORT27 External interrupt 2 input
P26 RXD1 MISO TCA0 TCA1	IO I IO I I	PORT26 UART data input 1 SEI master input/slave output TCA0 input TCA1 input
P25 TXD1 MOSI	IO O IO	PORT25 UART data output 1 SEI master output/slave input
P24 SECLK	IO IO	PORT24 SEI serial clock input/output
P23 INT3 SS	IO I I	PORT23 External interrupt 3 input SEI slave select input
P22 INT4 SCLK0	IO I IO	PORT22 External interrupt 4 input Serial clock input/output 0
P21 RXD0 SI0 TCA0 TCA1 OCDIO	IO I I I I IO	PORT21 UART data input 0 Serial data input 0 TCA0 input TCA1 input OCD data input/output
P20 TXD0 SO0 OCDCK	IO O O I	PORT20 UART data output 0 Serial data output 0 OCD clock input

Table 1-2 Pin Names and Functions (2/4)

Pin Name	Input/Output	Functions
P47 AIN7	IO I	PORT47 Analog input 7
P46 AIN6	IO I	PORT46 Analog input 6
P45 AIN5	IO I	PORT45 Analog input 5
P44 AIN4	IO I	PORT44 Analog input 4
P43 AIN3 KWI3	IO I I	PORT43 Analog input 3 Key-on wake-up input 3
P42 AIN2 KWI2	IO I I	PORT42 Analog input 2 Key-on wake-up input 2
P41 AIN1 KWI1	IO I I	PORT41 Analog input 1 Key-on wake-up input 1
P40 AIN0 KWI0	IO I I	PORT40 Analog input 0 Key-on wake-up input 0
P75 TC03 $\overline{\text{PPG03}}$ $\overline{\text{PWM03}}$ RXD0 SI0	IO I O O I I	PORT75 TC03 input PPG03 output PWM03 output UART data input 0 Serial data input 0
P74 TC02 $\overline{\text{PPG02}}$ $\overline{\text{PWM02}}$ TXD0 SO0	IO I O O O O	PORT74 TC02 input PPG02 output PWM02 output UART data output 0 Serial data output 0
P73 TC01 $\overline{\text{PPG01}}$ $\overline{\text{PWM01}}$	IO I O O	PORT73 TC01 input PPG01 output PWM01 output
P72 TC00 $\overline{\text{PPG00}}$ $\overline{\text{PWM00}}$	IO I O O	PORT72 TC00 input PPG00 output PWM00 output

Table 1-2 Pin Names and Functions (3/4)

Pin Name	Input/Output	Functions
P71 TCA1 PPGA1	IO I O	PORT71 TCA1 input PPGA1 output
P70 TCA0 PPGA0	IO I O	PORT70 TCA0 input PPGA0 output
P87 EMG1	IO I	PORT87 PMD emergency stop input1
P86 U1	IO O	PORT86 PMD control output U1
P85 V1	IO O	PORT85 PMD control output V1
P84 W1	IO O	PORT84 PMD control output W1
P83 X1	IO O	PORT83 PMD control output X1
P82 Y1	IO O	PORT82 PMD control output Y1
P81 Z1	IO O	PORT81 PMD control output Z1
P80 DVO DBOUT1	IO O O	PORT80 Divider output PMD debug output1
P93 PDU1	IO I	PORT93 PMD control input U1
P92 PDV1	IO I	PORT92 PMD control input V1
P91 PDW1	IO I	PORT91 PMD control input W1
P90 CL1	IO I	PORT90 PMD over load protection input1
XIN	I	High frequency OSC input
XOUT	O	High frequency OSC output
RESET	I	Reset signal input
MODE	I	Test pin for out-going test (fix to Low level).
VAREF	I	Analog reference voltage input pin for A/D conversion.

Table 1-2 Pin Names and Functions (4/4)

Pin Name	Input/Output	Functions
AVDD	I	Analog power supply pin.
AVSS	I	Analog GND pin
VDD	I	VDD pin
VSS	I	GND pin

2. CPU Core

2.1 Configuration

The CPU core consists of a CPU, a system clock controller and a reset circuit.

This chapter describes the CPU core address space, the system clock controller and the reset circuit.

2.2 Memory space

The 870/C1 CPU memory space consists of a code area to be accessed as instruction operation codes and operands and a data area to be accessed as sources and destinations of transfer and calculation instructions.

Both the code and data areas have independent 64-Kbyte address spaces.

2.2.1 Code area

The code area stores operation codes, operands, vector tables for vector call instructions and interrupt vector tables.

The RAM, the BOOTROM and the Flash are mapped in the code area.

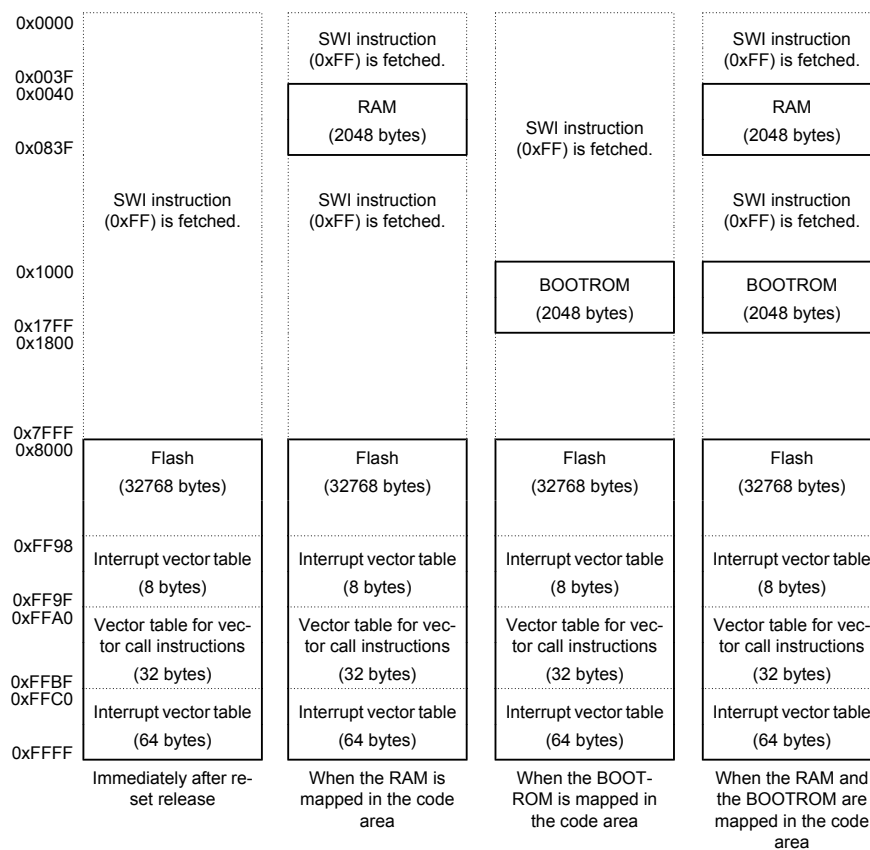


Figure 2-1 Memory Map in the Code Area

Note: Only the first 2 Kbytes of the BOOTROM are mapped in the memory map, except in the serial PROM mode.

2.2.1.1 RAM

The RAM is mapped in the data area immediately after reset release.

By setting SYSCR3<RAREA> to "1" and writing 0xD4 to SYSCR4, RAM can be mapped to 0x0040 to 0x083F in the code area to execute the program.

At this time, by setting SYSCR<RVCTR> to "1" and writing 0xD4 to SYSCR4, vector table for vector call instructions and interrupt except reset can be mapped to RAM.

In the serial PROM mode, the RAM is mapped to 0x0040 to 0x083F in the code area, regardless of the value of SYSCR3<RAREA>. The program can be executed on the RAM using the RAM loader function.

Note 1: When the RAM is not mapped in the code area, the SWI instruction is fetched from 0x0040 to 0x083F.

Note2: The contents of the RAM become unstable when the power is turned on and immediately after a reset is released. To execute the program by using the RAM, transfer the program to be executed in the initialization routine.

System control register 3

SYSCR3 (0x0FDE)		7	6	5	4	3	2	1	0
Bit Symbol		-	-	-	-	-	RVCTR	RAREA	-
Read/Write		R	R	R	R	R	R/W	R/W	R/W
After reset		0	0	0	0	0	0	0	0

RAREA	Specifies mapping of the RAM in the code area	0 :	The RAM is not mapped from 0x0040 to 0x083F in the code area.
		1 :	The RAM is mapped from 0x0040 to 0x083F in the code area.
RVCTR	Specifies mapping of the vector table for vector call instructions and interrupts		Vector table for vector call instructions
			Vector table for interrupt
		0 :	0xFFA0 to 0xFFBF in the code area
			0xFF98 to 0xFF9F and 0xFFC0 to 0xFFFF in the code area
		1 :	0x01A0 to 0x01BF in the code area
			0x0198 to 0x019F and 0x01C0 to 0x01FD in the code area

Note 1: The value of SYSCR3<RAREA> is invalid until 0xD4 is written into SYSCR4.

Note 2: To assign vector address areas to RAM, set SYSCR3<RVCTR> to "1" and SYSCR3<RAREA> to "1".

Note 3: Do not set SYSCR3<RVCTR> to "0" by using the RAM loader program. If an interrupt occurs with SYSCR3<RVCTR> set to "0", the BOOTROM area is referenced as a vector address and, therefore, the program will not function properly.

Note 4: Bits 7 to 3 of SYSCR3 are read as "0".

System control register 4

SYSCR4 (0x0FDF)		7	6	5	4	3	2	1	0
Bit Symbol		SYSCR4							
Read/Write		W							
After reset		0	0	0	0	0	0	0	0

SYSCR4	Writes the SYSCR3 data control code.	0xD4 :	Enables the contents of SYSCR3<RAREA> and SYSCR3 <RVCTR>.
		0x71 :	Enables the contents of IRSTSR<FCLR>
		Others :	Invalid

Note 1: SYSCR4 is a write-only register, and must not be accessed by using a read-modify-write instruction, such as a bit operation.

Note 2: After SYSCR3<RSTDIS> is modified, SYSCR4 should be written 0xB2 (Enable code for SYSCR3<RSTDIS>) in NORMAL mode when fcgck is fc/4 (CGCR<FCGCKSEL>=00). Otherwise, SYSCR3<RSTDIS> may be enabled at unexpected timing.

Note 3: After IRSTSR<FCLR> is modified, SYSCR4 should be written 0x71 (Enable code for IRSTSR<FCLR> in NORMAL mode when fcgck is fc/4 (CGCR<FCGCKSEL>=00). Otherwise, IRSTSR<FCLR> may be enabled at unexpected timing.

System control status register 4

SYSSR4 (0x0FDF)		7	6	5	4	3	2	1	0
Bit Symbol	-	-	-	-	-	-	RVCTRS	RAREAS	-
Read/Write	R	R	R	R	R	R	R	R	R
After reset	0	0	0	0	0	0	0	0	0

RAREAS	Status of mapping of the RAM in the code area	0 :	The enabled SYSCR3<RAREA> data is "0".
		1 :	The enabled SYSCR3<RAREA> data is "1".
RVCTRS	Status of mapping of the vector address in the area	0 :	The enabled SYSCR3<RVCTR> data is "0".
		1 :	The enabled SYSCR3<RVCTR> data is "1".

Note: Bits 7 to 3, 0 of SYSSR4 are read as "0".

Example: Program transfer (Transfer the program saved in the data area to the RAM.)

```

LD HL, TRANSFER_START_ADDRESS ;Destination RAM address
LD DE, PROGRAM_START_ADDRESS ;Source ROM address
LD BC, BYTE_OF_PROGRAM ;Number of bytes of the program to be executed -1
TRANS_RAM: LD A, (DE) ;Reading the program to be transferred
LD (HL), A ;Writing the program to be transferred
INC HL ;Destination address increment
INC DE ;Source address increment
DEC BC ;Have all the programs been transferred?
J F, TRANS_RAM
    
```

2.2.1.2 BOOTROM

The BOOTROM is not mapped in the code area or the data area after reset release.

Setting FLSCR1<BAREA> to "1" and writing 0xD5 to FLSCR2 maps the BOOTROM to 0x1000 to 0x17FF in the code area and to 0x1000 to 0x17FF in the data area. Flash memory can be easily programmed by using the API (Application Programming Interface) contained in the BOOTROM.

Note 1: When the BOOTROM is not mapped in the code area, an instruction is fetched from the Flash or an SWI instruction is fetched, depending on the capacity of the internal Flash.

Note 2: Only the first 2 Kbytes of the BOOTROM are mapped in the memory map, except in the serial PROM mode.

Flash memory control register 1

FLSCR1 (0x0FD0)		7	6	5	4	3	2	1	0
Bit Symbol		(FLSMD)			BAREA	(FAREA)		(ROMSEL)	
Read/Write		R/W			R/W	R/W		R/W	
After reset		0	1	0	0	0	0	0	0

BAREA	Specifies mapping of the BOOT-ROM in the code and data areas	0 :	The BOOTROM is not mapped to 0x1000 to 0x17FF in the code area and to 0x1000 to 0x17FF in the data area.
		1 :	The BOOTROM is mapped to 0x1000 to 0x17FF in the code area and to 0x1000 to 0x17FF in the data area.

Note: The flash memory control register 1 has a double-buffer structure comprised of the register FLSCR1 and a shift register. Writing "0xD5" to the register FLSCR2 allows a register setting to be reflected and take effect in the shift register. This means that a register setting value does not take effect until "0xD5" is written to the register FLSCR2. The value of the shift register can be checked by reading the register FLSCRM.

Flash memory control register 2

FLSCR2 (0x0FD1)		7	6	5	4	3	2	1	0
Bit Symbol		CR1EN							
Read/Write		W							
After reset		*	*	*	*	*	*	*	*

CR1EN	FLSCR1 register enable/disable control	0xD5	Enable a change in the FLSCR1 setting
		Others	Reserved

2.2.1.3 Flash

The Flash is mapped to 0x8000 to 0xFFFF in the code area after reset release.

2.2.2 Data area

The data area stores the data to be accessed as sources and destinations of transfer and calculation instructions. The SFR, the RAM, the BOOTROM and the FLASH are mapped in the data area.

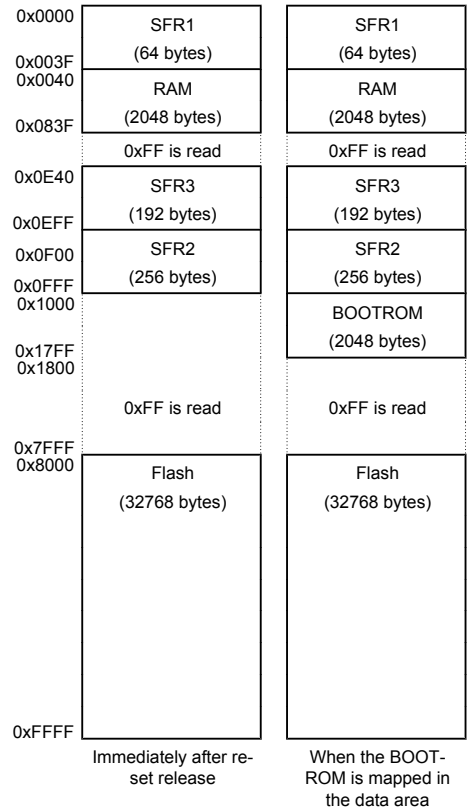


Figure 2-2 Memory Map in the Data Area

Note: Only the first 2 Kbytes of the BOOTROM are mapped in the memory map, except in the serial PROM mode.

2.2.2.1 SFR

The SFR is mapped to 0x0000 to 0x003F (SFR1), 0x0F00 to 0x0FFF (SFR2) and 0x0E40 to 0x0EFF (SFR3) in the data area after reset release.

Note: Don't access the reserved SFR.

2.2.2.2 RAM

The RAM is mapped to 0x0040 to 0x083F in the data area after reset release.

Note: The contents of the RAM become unstable when the power is turned on and immediately after a reset is released. To execute the program by using the RAM, transfer the program to be executed in the initialization routine.

Example: RAM initialization program

```

LD    HL, RAM_TOP_ADDRESS      ;Head of address of the RAM to be initialized
LD    A, 0x00                  ;Initialization data
LD    BC, BYTE_OF_CLEAR_BYTES ;Number of bytes of RAM to be initialized -1
CLR_RAM: LD    (HL), A          ;Initialization of the RAM
        INC    HL              ;Initialization address increment
        DEC    BC              ;Have all the RAMs been initialized?
        J     F, CLR_RAM
  
```

2.2.2.3 BOOTROM

The BOOTROM is not mapped in the code area or the data area after reset release.

Setting FLSCR1<BAREA> to "1" and writing 0xD5 to FLSCR2 maps the BOOTROM to 0x1000 to 0x17FF in the code area and to 0x1000 to 0x17FF in the data area. Flash memory can be easily programmed by using the API (Application Programming Interface) contained in the BOOTROM.

Note 1: When the BOOTROM is not mapped in the data area, 0xFF is read from 0x1000 to 0x17FF.

Note2: Only the first 2 Kbytes of the BOOTROM are mapped in the memory map, except in the serial PROM mode.

Flash memory control register 1

FLSCR1 (0x0FD0)	7	6	5	4	3	2	1	0
Bit Symbol	(FLSMD)			BAREA	(FAREA)		(ROMSEL)	
Read/Write	R/W			R/W	R/W		R/W	
After reset	0	1	0	0	0	0	0	0

BAREA	Specifies mapping of the BOOTROM in the code and data areas	0 :	The BOOTROM is not mapped to 0x1000 to 0x17FF in the code area and to 0x1000 to 0x17FF in the data area.
		1 :	The BOOTROM is mapped to 0x1000 to 0x17FF in the code area and to 0x1000 to 0x17FF in the data area.

Note: The flash memory control register 1 has a double-buffer structure comprised of the register FLSCR1 and a shift register. Writing "0xD5" to the register FLSCR2 allows a register setting to be reflected and take effect in the shift register. This means that a register setting value does not take effect until "0xD5" is written to the register FLSCR2. The value of the shift register can be checked by reading the register FLSCRM.

Flash memory control register 2

FLSCR2 (0x0FD1)	7	6	5	4	3	2	1	0
Bit Symbol	CR1EN							
Read/Write	W							
After reset	*	*	*	*	*	*	*	*

CR1EN	FLSCR1 register enable/disable control	0xD5	Enable a change in the FLSCR1 setting
		Others	Reserved

2.2.2.4 Flash

The Flash is mapped to 0x8000 to 0xFFFF in the data area after reset release.



2.3 System clock controller

2.3.1 Configuration

The system clock controller consists of a clock generator, a clock gear, a timing generator, a warm-up counter and an operation mode control circuit. The TMP89FM82 also has the clock frequency multiplier circuit (PLL) to generate a clock of programmable motor driver (PMD).

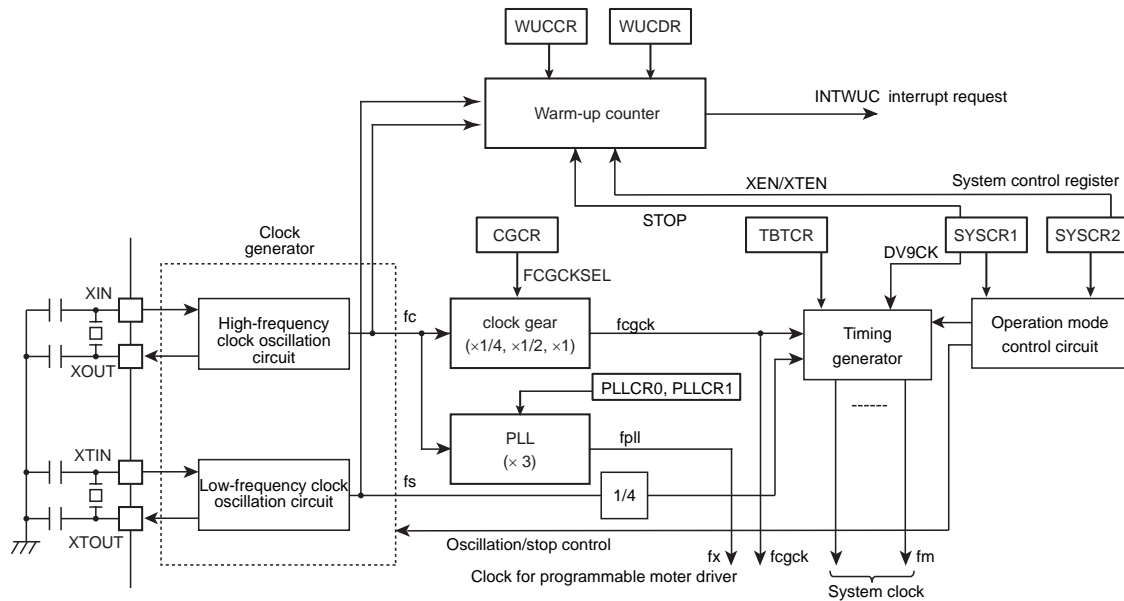


Figure 2-3 System Clock Controller

2.3.2 Control

The system clock controller is controlled by system control register 1 (SYSCR1), system control register 2 (SYSCR2), the warm-up counter control register (WUCCR), the warm-up counter data register (WUCDR) and the clock gear control register (CGCR). The clock multiplier that generates a clock to PMD is controlled by system control register0 (PLLCR0) and system control register1 (PLLCR1).

System control register 1

SYSCR1 (0x0FDC)		7	6	5	4	3	2	1	0
Bit Symbol	STOP	RELM	OUTEN	DV9CK	-	-	-	-	-
Read/Write	R/W	R/W	R/W	R/W	R	R	R	R	R
After reset	0	0	0	0	1	0	0	0	0

STOP	Activates the STOP mode	0 :	Operate the CPU and the peripheral circuits
		1 :	Stop the CPU and the peripheral circuits (activate the STOP mode)
RELM	Selects the STOP mode release method	0 :	Edge-sensitive release mode (Release the STOP mode at the rising edge of the STOP mode release signal)
		1 :	Level-sensitive release mode (Release the STOP mode at the "H" level of the STOP mode release signal)
OUTEN	Selects the port output state in the STOP mode	0 :	High impedance
		1 :	Output hold
DV9CK	Selects the input clock to stage 9 of the divider	0 :	fcgck/2 ⁹
		1 :	fs/4

- Note 1: fcgck: Gear clock [Hz], fs: Low-frequency clock [Hz]
- Note 2: Bits 2, 1 and 0 of SYSCR1 are read as "0". Bit 3 is read as "1".
- Note 3: If the STOP mode is activated with SYSCR1<OUTEN> set at "0", the port internal input is fixed to "0". Therefore, an external interrupt may be set at the falling edge, depending on the pin state when the STOP mode is activated.
- Note 4: The P11 pin is also used as the STOP pin. When the STOP mode is activated, the pin reverts to high impedance state and is put in input mode, regardless of the state of SYSCR1<OUTEN>.
- Note 5: Writing of the second byte data will be executed improperly if the operation is switched to the STOP state by an instruction, such as LDW, which executes 2-byte data transfer at a time.
- Note 6: Don't set SYSCR1<DV9CK> to "1" before the oscillation of the low-frequency clock oscillation circuit becomes stable.
- Note 7: In the SLOW1/2 or SLEEP1 mode, fs/4 is input to stage 9 of the divider, regardless of the state of SYSCR1< DV9CK >.

System control register 2

SYSCR2 (0x0FDD)		7	6	5	4	3	2	1	0
Bit Symbol	-	XEN	XTEN	SYSCK	IDLE	TGHALT	-	-	-
Read/Write	R	R/W	R/W	R/W	R/W	R/W	R/W	R	R
After reset	0	1	0	0	0	0	0	0	0

XEN	Controls the high-frequency clock oscillation circuit	0 :	Stop oscillation
		1 :	Continue or start oscillation
XTEN	Controls the low-frequency clock oscillation circuit	0 :	Stop oscillation
		1 :	Continue or start oscillation
SYSCK	Selects a system clock	0 :	Gear clock (fcgck) (NORMAL1/2 or IDLE1/2 mode)
		1 :	Low-frequency clock (fs/4) (SLOW1/2 or SLEEP1 mode)
IDLE	CPU and WDT control (IDLE1/2 or SLEEP1 mode)	0 :	Operate the CPU and the WDT
		1 :	Stop the CPU and the WDT (Activate IDLE1/2 or SLEEP1 mode)
TGHALT	TG control (IDLE0 or SLEEP0 mode)	0 :	Enable the clock supply from the TG to all the peripheral circuits
		1 :	Disable the clock supply from the TG to the peripheral circuits except the TBT (Activate IDLE0 or SLEEP0 mode)

- Note 1: fcgck: Gear clock [Hz], fs: Low-frequency clock [Hz]
- Note 2: WDT: Watchdog timer, TG: Timing generator
- Note 3: Don't set both SYSCR2<IDLE> and SYSCR2<TGHALT> to "1" simultaneously.
- Note 4: Writing of the second byte data will be executed improperly if the operation is switched to the IDLE state by an instruction, such as LDW, which executes 2-byte data transfer at a time.
- Note 5: When the IDLE1/2 or SLEEP1 mode is released, SYSCR2<IDLE> is cleared to "0" automatically.
- Note 6: When the IDLE0 or SLEEP0 mode is released, SYSCR2<TGHALT> is cleared to "0" automatically.
- Note 7: Bits 7, 1 and 0 of SYSCR2 are read as "0".

Warm-up counter control register

WUCCR (0x0FCD)		7	6	5	4	3	2	1	0
Bit Symbol	WUCRST	-	-	-	WUCDIV		WUCSEL		-
Read/Write	W	R	R	R	R/W		R/W		R
After reset	0	0	0	0	1	1	0	1	

WUCRST	Resets and stops the warm-up counter	0 :	-
		1 :	Clear and stop the counter
WUCDIV	Selects the frequency division of the warm-up counter source clock	00 :	Source clock
		01 :	Source clock / 2
		10 :	Source clock / 2 ²
		11 :	Source clock / 2 ³
WUCSEL	Selects the warm-up counter source clock	0 :	Select the high-frequency clock (fc)
		1 :	Select the low-frequency clock (fs)

Note 1: fc: High-frequency clock [Hz], fs: Low-frequency clock [Hz]

Note 2: WUCCR<WUCRST> is cleared to "0" automatically, and need not be cleared to "0" after being set to "1".

Note 3: Bits 7 to 4 of WUCCR are read as "0". Bit 0 is read as "1".

Note 4: Before starting the warm-up counter operation, set the source clock and the frequency division rate at WUCCR<WUCDIV, WUCSEL> and set the warm-up time at WUCDR.

Warm-up counter data register

WUCDR (0x0FCE)		7	6	5	4	3	2	1	0
Bit Symbol	WUCDR								
Read/Write	R/W								
After reset	0	1	1	0	0	1	1	0	

WUCDR	Warm-up time setting
-------	----------------------

Note 1: Don't start the warm-up counter operation with WUCDR set at "0x00".

Clock gear control register

CGCR (0x0FCF)		7	6	5	4	3	2	1	0
Bit Symbol	-	-	-	-	-	-	-	FCGCKSEL	
Read/Write	R	R	R	R	R	R	R	R/W	
After reset	0	0	0	0	0	0	0	0	0

FCGCKSEL	Clock gear setting	00 :	fcgck = fc / 4
		01 :	fcgck = fc / 2
		10 :	fcgck = fc
		11 :	Reserved

Note 1: fcgck: Gear clock [Hz], fc: High-frequency clock [Hz]

Note 2: Don't change CGCR<FCGCKSEL> in the SLOW mode.

Note 3: Bits 7 to 2 of CGCR are read as "0".

PLL control register 0

PLLCR0 (0x0F7E)	7	6	5	4	3	2	1	0
Bit Symbol	-	-	-	-	-	LUCSET1	LUCSET0	PLLOUT
Read/Write	R	R	R	R	R	R/W	R/W	R/W
After reset	0	0	0	0	0	0	0	0

LUCSET1:0	Selects the rock up count	00: 2 ¹³ (1.024ms, fc=8MHz) 01: 2 ¹² (0.512ms, fc=8MHz) 10: 2 ¹¹ (0.256ms, fc=8MHz) 11: 2 ¹⁰ (0.128ms, fc=8MHz)
PLLOUT	The PLL output control to PMD circuit	0: Output disable 1: Output enable

Note 1: Bits 7 to 3 of PLLCR0 are read as "0".

Note 2: Set PLLCR0<PLLOUT> to "1" after making sure that the setting of PLLCR1<LUPFG> becomes "1".

PLL control register 1

PLLCR1 (0x0F7F)	7	6	5	4	3	2	1	0
Bit Symbol	PLLON	LUPFG	-	-	-	-	-	-
Read/Write	R/W	R	R	R	R	R	R	R
After reset	0	0	0	0	0	0	0	0

PLLON	The PLL operation control	0: Stop 1: Operate
LUPFG	The rock up finish flag	0: Operating rock up 1: Finish rock up

Note 1: Bits 5 to 0 of PLLCR1 are read as "0".

Note 2: PLLCR1<LUPFG> is cleared to "0" by reset, and setting <PLLON> to "0 (PLL stop)".

Note 3: Set PLLCR0<PLLOUT> to "1" after making sure that the setting of PLLCR1<LUPFG> becomes "1".

2.3.3 Functions

2.3.3.1 Clock generator

The clock generator generates the basic clock for the system clocks to be supplied to the CPU core and peripheral circuits.

It contains two oscillation circuits: one for the high-frequency clock and the other for the low-frequency clock.

The low-frequency oscillation circuit pins are also used as ports P02 and P03. For the setting to use them as ports, refer to the chapter of I/O Ports.

To use ports P02 and P03 as the low-frequency clock oscillation circuits (the XTIN and XTOUT pins), set POF2<POFC2> to "1" and then set SYSCR2<XTEN> to "1".

The high-frequency (fc) clock and the low-frequency (fs) clock can easily be obtained by connecting an oscillator between the XIN and XOUT pins and between the XTIN and XTOUT pins respectively.

Clock input from an external oscillator is also possible. In this case, external clocks are applied to the XIN/XTIN pins and the XOUT/XTOUT pins are kept open.

Enabling/disabling the oscillation of the high-frequency clock oscillation circuit and the low-frequency clock oscillation circuit and switching the pin function to ports are controlled by the software and hardware.

The software control is executed by SYSCR2<XEN>, SYSCR2<XTEN> and the P0 port function control register P0FC0.

The hardware control is executed by reset release and the operation mode control circuit when the operation is switched to the STOP mode as described in "2.3.5 Clock multiplier (PLL)".

Note: No hardware function is available for external direct monitoring of the basic clock. The oscillation frequency can be adjusted by programming the system to output pulses at a certain frequency to a port (for example, a clock output) with interrupts disabled and the watchdog timer disabled and monitoring the output. An adjustment program must be created in advance for a system that requires adjustment of the oscillation frequency.

To prevent the dead lock of the CPU core due to the software-controlled enabling/disabling of the oscillation, an internal factor reset is generated depending on the combination of values of the clock selected as the main system clock, SYSCR2<XEN>, SYSCR2<XTEN> and the P0 port function control register P0FC0.

Table 2-1 Prohibited Combinations of Oscillation Enable Register Conditions

P0FC0	SYSCR2 <XEN>	SYSCR2 <XTEN>	SYSCR2 <SYSCK>	State
Don't Care	0	0	Don't Care	All the oscillation circuits are stopped.
Don't Care	Don't Care	0	1	The low-frequency clock (fs) is selected as the main system clock, but the low-frequency clock oscillation circuit is stopped.
Don't Care	0	Don't Care	0	The high-frequency clock (fc) is selected as the main system clock, but the high-frequency clock oscillation circuit is stopped.
0	1	Don't Care	Don't Care	The high-frequency clock oscillation circuit is allowed to oscillate, but the port is set as a general-purpose port.

Note: It takes a certain period of time after SYSCR2<SYSCK> is changed before the main system clock is switched. If the currently operating oscillation circuit is stopped before the main system clock is switched, the internal condition becomes as shown in Table 2-1 and a system clock reset occurs. For details of clock switching, refer to "2.3.7 Operation Mode Control".

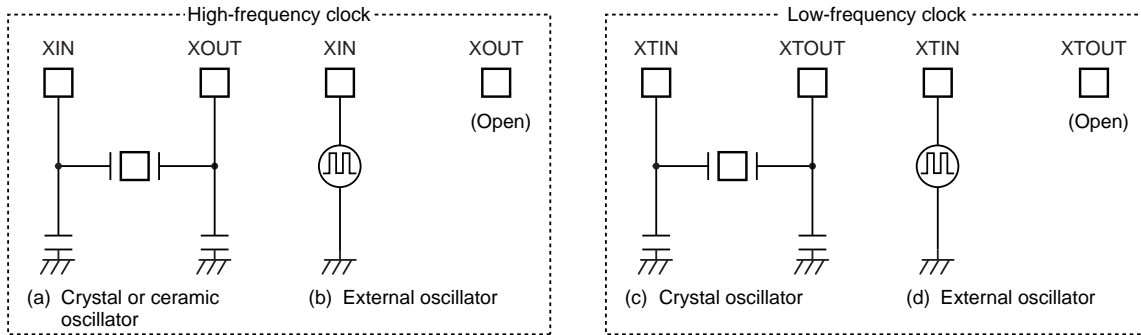


Figure 2-4 Examples of Oscillator Connection

2.3.3.2 Clock gear

The clock gear is a circuit that selects a gear clock (fcgck) obtained by dividing the high-frequency clock (fc) and inputs it to the timing generator.

Selects a divided clock at CGCR<FCGCKSEL>.

Two machine cycles are needed after CGCR<FCGCKSEL> is changed before the gear clock (fcgck) is changed.

The gear clock (fcgck) may be longer than the set clock width, immediately after CGCR<FCGCKSEL> is changed.

Immediately after reset release, the gear clock (fcgck) becomes the clock that is a quarter of the high-frequency clock (fc).

Table 2-2 Gear Clock (fcgck)

CGCR<FCGCKSEL>	fcgck
00	fc / 4
01	fc / 2
10	fc
11	Reserved

Note: Don't change CGCR<FCGCKSEL> in the SLOW mode. This may stop the gear clock (fcgck) from being changed.

2.3.3.3 Timing generator

The timing generator is a circuit that generates system clocks to be supplied to the CPU core and the peripheral circuits, from the gear clock (fcgck) or the clock that is a quarter of the low-frequency clock (fs). The timing generator has the following functions:

1. Generation of the main system clock (fm)
2. Generation of clocks for the timer counter, the time base timer and other peripheral circuits

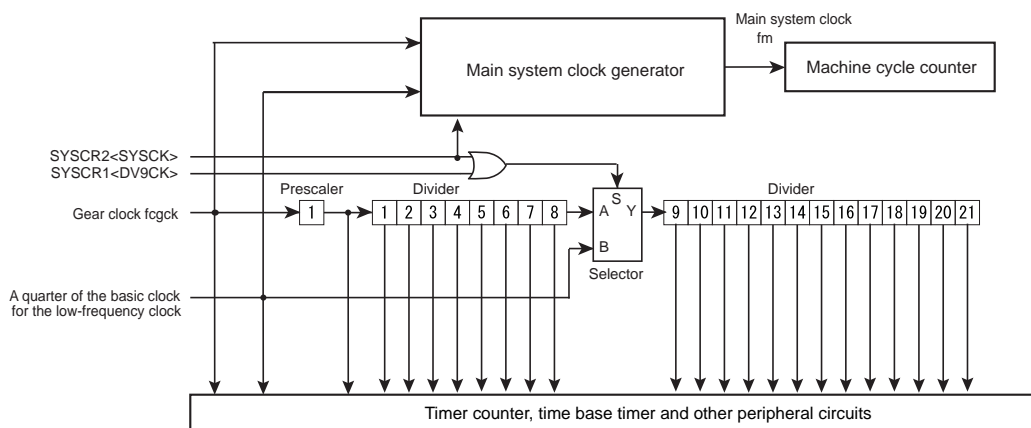


Figure 2-5 Configuration of Timing Generator

(1) Configuration of timing generator

The timing generator consists of a main system clock generator, a prescaler, a 21-stage divider and a machine cycle counter.

1. Main system clock generator

This circuit selects the gear clock (fcgck) or the clock that is a quarter of the low-frequency clock (fs) for the main system clock (fm) to operate the CPU core.

Clearing SYSR2<SYSCK> to "0" selects the gear clock (fcgck). Setting it to "1" selects the clock that is a quarter of the low-frequency clock (fs).

It takes a certain period of time after SYSCR2<SYSCK> is changed before the main system clock is switched. If the currently operating oscillation circuit is stopped before the main system clock is switched, the internal condition becomes as shown in Table 2-1 and a system clock reset occurs. For details of clock switching, refer to "2.3.7 Operation Mode Control".

2. Prescaler and divider

These circuits divide fcgck. The divided clocks are supplied to the timer counter, the time base timer and other peripheral circuits.

When both SYSCR1<DV9CK> and SYSCR2<SYSCK> are "0", the input clock to stage 9 of the divider becomes the output of stage 8 of the divider.

When SYSCR1<DV9CK> or SYSCR2<SYSCK> is "1", the input clock to stage 9 of the divider becomes fs/4. When SYSCR2<SYSCK> is "1", the outputs of stages 1 to 8 of the divider and prescaler are stopped.

The prescaler and divider are cleared to "0" at a reset and at the end of the warm-up operation that follows the release of STOP mode.

3. Machine cycle

Instruction execution is synchronized with the main system clock (fm).

The minimum instruction execution unit is called a "machine cycle". One machine cycle corresponds to one main system clock.

There are a total of 11 different types of instructions for the TLCS-870/C1 Series: 10 types ranging from 1-cycle instructions, which require one machine cycle for execution, to 10-cycle instructions, which require 10 machine cycles for execution, and 13-cycle instructions, which require 13 machine cycles for execution.

2.3.4 Warm-up counter

The warm-up counter is a circuit that counts the high-frequency clock (fc) and the low-frequency clock (fs), and it consists of a source clock selection circuit, a 3-stage frequency division circuit and a 14-stage counter.

The warm-up counter is used to secure the time after a power-on reset is released before the supply voltage becomes stable and secure the time after the STOP mode is released or the operation mode is changed before the oscillation by the oscillation circuit becomes stable.

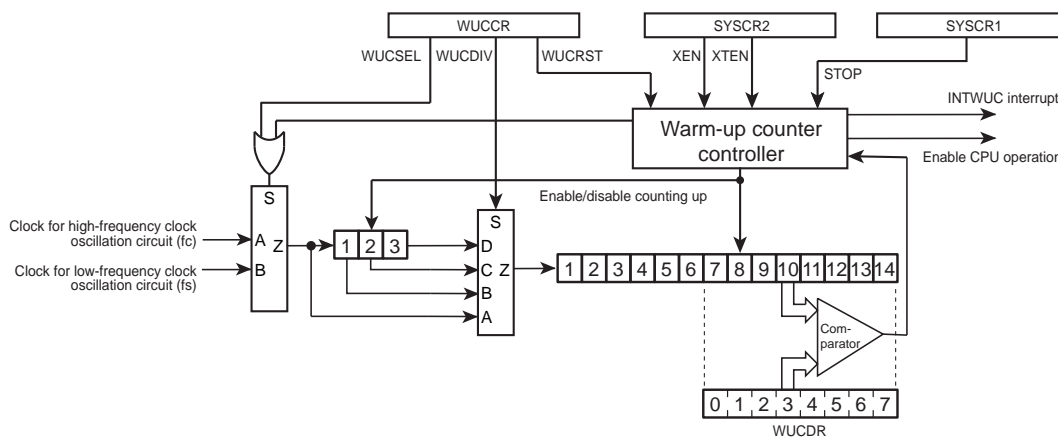


Figure 2-6 Warm-up Counter Circuit

2.3.4.1 Warm-up counter operation when the oscillation is enabled by the hardware

(1) When a power-on reset is released or a reset is released

The warm-up counter serves to secure the time after a power-on reset is released before the supply voltage becomes stable and the time after a reset is released before the oscillation by the high-frequency clock oscillation circuit becomes stable.

When the power is turned on and the supply voltage exceeds the power-on reset release voltage, the warm-up counter reset signal is released. At this time, the CPU and the peripheral circuits are held in the reset state.

A reset signal initializes WUCCR<WUCSEL> to "0" and WUCCR<WUCDIV> to "11", which selects the high-frequency clock (fc) as the input clock to the warm-up counter.

When a reset is released for the warm-up counter, the high-frequency clock (fc) is input to the warm-up counter, and the 14-stage counter starts counting the high-frequency clock (fc).

When the upper 8 bits of the warm-up counter become equal to WUCDR, counting is stopped and a reset is released for the CPU and the peripheral circuits.

WUCDR is initialized to 0x66 after reset release, which makes the warm-up time $0x66 \times 2^9 / fc[s]$.

Note: The clock output from the oscillation circuit is used as the input clock to the warm-up counter. The warm-up time contains errors because the oscillation frequency is unstable until the oscillation circuit becomes stable.

(2) When the STOP mode is released

The warm-up counter serves to secure the time after the oscillation is enabled by the hardware before the oscillation becomes stable at the release of the STOP mode.

The high-frequency clock (fc) or the low-frequency clock (fs), which generates the main system clock when the STOP mode is activated, is selected as the input clock for frequency division circuit, regardless of WUCCR<WUCSEL>.

Before the STOP mode is activated, select the division rate of the input clock to the warm-up counter at WUCCR<WUCDIV> and set the warm-up time at WUCDR.

When the STOP mode is released, the 14-stage counter starts counting the input clock selected in the frequency division circuit.

When the upper 8 bits of the warm-up counter become equal to WUCDR, counting is stopped and the operation is restarted by an instruction that follows the STOP mode activation instruction.

Clock that generates the main system clock when the STOP mode is activated	WUCCR <WUCSEL>	WUCCR <WUCDIV>	Counter input clock	Warm-up time
fc	Don't Care	00	fc	$2^6 / fc$ to $255 \times 2^6 / fc$
		01	$fc / 2$	$2^7 / fc$ to $255 \times 2^7 / fc$
		10	$fc / 2^2$	$2^8 / fc$ to $255 \times 2^8 / fc$
		11	$fc / 2^3$	$2^9 / fc$ to $255 \times 2^9 / fc$
fs	Don't Care	00	fs	$2^6 / fs$ to $255 \times 2^6 / fs$
		01	$fs / 2$	$2^7 / fs$ to $255 \times 2^7 / fs$
		10	$fs / 2^2$	$2^8 / fs$ to $255 \times 2^8 / fs$
		11	$fs / 2^3$	$2^9 / fs$ to $255 \times 2^9 / fs$

Note 1: When the operation is switched to the STOP mode during the warm-up for the oscillation enabled by the software, the warm-up counter holds the value at the time, and restarts counting after the STOP mode is released. In this case, the warm-up time at the release of the STOP mode becomes insufficient. Don't switch the operation to the STOP mode during the warm-up for the oscillation enabled by the software.

Note 2: The clock output from the oscillation circuit is used as the input clock to the warm-up counter. The warm-up time contains errors because the oscillation frequency is unstable until the oscillation circuit becomes stable. Set the sufficient time for the oscillation start property of the oscillator.

2.3.4.2 Warm-up counter operation when the oscillation is enabled by the software

The warm-up counter serves to secure the time after the oscillation is enabled by the software before the oscillation becomes stable, at a mode change from NORMAL1 to NORMAL2 or from SLOW1 to SLOW2.

Select the input clock to the frequency division circuit at WUCCR<WUCSEL>.

Select the input clock to the 14-stage counter at WUCCR<WUCDIV>.

After the warm-up time is set at WUCDR, setting SYSCR2<XEN> or SYSCR2<XTEN> to "1" allows the stopped oscillation circuit to start oscillation and the 14-stage counter to start counting the selected input clock.

When the upper 8 bits of the counter become equal to WUCDR, an INTWUC interrupt occurs, counting is stopped and the counter is cleared.

Set WUCCR<WUCRST> to "1" to discontinue the warm-up operation.

By setting it to "1", the count-up operation is stopped, the warm-up counter is cleared, and WUCCR<WUCRST> is cleared to "0".

SYSCR2<XEN> and SYSCR2<XTEN> hold the values when WUCCR<WUCRST> is set to "1". To restart the warm-up operation, SYSCR2<XEN> or SYSCR2<XTEN> must be cleared to "0".

Note: The warm-up counter starts counting when SYSCR2<XEN> or SYSCR2<XTEN> is changed from "0" to "1". The counter will not start counting by writing "1" to SYSCR2<XEN> or SYSCR2<XTEN> when it is in the state of "1".

WUCCR <WUCSEL>	WUCCR <WUCDIV>	Counter input clock	Warm-up time
0	00	fc	$2^6 / fc$ to $255 \times 2^6 / fc$
	01	$fc / 2$	$2^7 / fc$ to $255 \times 2^7 / fc$
	10	$fc / 2^2$	$2^8 / fc$ to $255 \times 2^8 / fc$
	11	$fc / 2^3$	$2^9 / fc$ to $255 \times 2^9 / fc$
1	00	fs	$2^6 / fs$ to $255 \times 2^6 / fs$
	01	$fs / 2$	$2^7 / fs$ to $255 \times 2^7 / fs$
	10	$fs / 2^2$	$2^8 / fs$ to $255 \times 2^8 / fs$
	11	$fs / 2^3$	$2^9 / fs$ to $255 \times 2^9 / fs$

Note: The clock output from the oscillation circuit is used as the input clock to the warm-up counter. The warm-up time contains errors because the oscillation frequency is unstable until the oscillation circuit becomes stable. Set the sufficient time for the oscillation start property of the oscillator.

2.3.5 Clock multiplier (PLL)

The clock multiplier (PLL) is the circuit that generates the operation clock of the Programmable motor driver. To use PMD, it is necessary to operate the PLL beforehand. The PLL triples high-speed oscillation frequency, fc , from the high-speed oscillator and generates $f_{pll} = 3 \times fc$. The PLL supplies this as an operation clock f_x of PMD. The PMD of TMP89FM82 operates at $f_x = 24\text{MHz}$, so set the system clock frequency to 8MHz.

When a reset is released, PLL is initialized and stopped. The operation is controlled by the setting of PLL register PLLCR0, PLLCR1.

PLL is not stable immediately after the start. Therefore, after the time counted with the Lock-Up circuit passes, the operation clock is supplied to PMD. This time is called the Lock-Up time. The initialized value of the Lock-Up time is about 1ms at $fc = 8\text{MHz}$.

2.3.5.1 PLL start

The control flow and the program example are shown as follows.

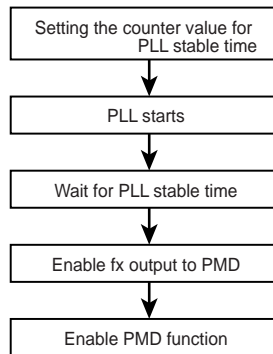


Figure 2-7 The control flow of PLL start

The following is the program example from the start of PLL to beginning of the operation of PMD.

```

LD      (PLLCR0),0x06          ; Set the lock-up count value to 210
LD      (PLLCR1),0x80          ; Start the operation of clock multiplier and lock-up counter
loop:   LD      A, (PLLCR1)      ; Read PLLCR1
AND     A, 0xC0
CMP     A, 0xC0                ; PLLCR1<LUPFG>=1 ?
JP      NZ, loop              ; Poll until finish of Lock-up
LD      (PLLCR0),0x07          ; supply a clock to PMD
LD      (POFFCR4),0x10         ; Enable PMD to operate by setting <PMD1EN> to "1"
:       :                      ; Set PMD to start operation
LD      (MDCRA),0x01          ; Set <PWMEN> to "1" and enable PWM wave generation circuit to operate
    
```

2.3.5.2 PLL stop

When shift to the low-power consumption modes other than IDLE1 and 2, switch the modes after stopping PMD and PLL.

The control flow and the program example are shown as follows.

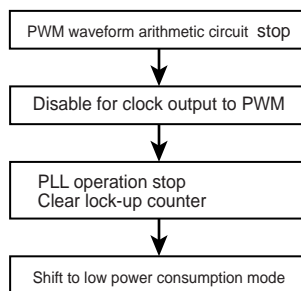


Figure 2-8 The control flow of PLL stop

The following is the program example from NORMAL mode to STOP mode.

```
LD      (MDCRA),0x00      ; Stop PWM waveform generation circuit operation by clearing <PWMEN> to "0".
LD      (PLLCR0),0x06     ; Disable PLL output by clearing <PLLOUT> to "0".
LD      (PLLCR1), 0x00    ; Stop PLL operation by clearing <PLLON> to "0".
LD      (SYSCR1), 0x88    ; Shift to STOP mode by setting <STOP> to "1".
```

2.3.6 Operation mode control circuit

The operation mode control circuit starts and stops the oscillation circuits for the high-frequency and low-frequency clocks, and switches the main system clock (fm).

There are three major operating modes: the single-clock mode, the dual-clock mode and the STOP mode. These modes are controlled by the system control registers (SYSCR1 and SYSCR2).

Figure 2-9 shows the operating mode transition diagram.

2.3.6.1 Single-clock mode

Only the gear clock (fcgck) is used for the operation in the single-clock mode.

The main system clock (fm) is generated from the gear clock (fcgck). Therefore, the machine cycle time is $1/\text{fcgck}$ [s].

The gear clock (fcgck) is generated from the high-frequency clock (fc).

In the single-clock mode, the low-frequency clock generation circuit pins P02 (XTIN) and P03 (XTOUT) can be used as the I/O ports.

(1) NORMAL1 mode

In this mode, the CPU core and the peripheral circuits operate using the gear clock (fcgck).

The NORMAL1 mode becomes active after reset release.

(2) IDLE1 mode

In this mode, the CPU and the watchdog timer stop and the peripheral circuits operate using the gear clock (fcgck).

The IDLE1 mode is activated by setting SYSCR2<IDLE> to "1" in the NORMAL1 mode.

When the IDLE1 mode is activated, the CPU and the watchdog timer stop.

When the interrupt latch enabled by the interrupt enable register EIR becomes "1", the IDLE1 mode is released to the NORMAL1 mode.

When the IMF (interrupt master enable flag) is "1" (interrupts enabled), the operation returns normal after the interrupt processing is completed.

When the IMF is "0" (interrupts disabled), the operation is restarted by the instruction that follows the IDLE1 mode activation instruction.

(3) IDLE0 mode

In this mode, the CPU and the peripheral circuits stop, except the oscillation circuits and the time base timer.

In the IDLE0 mode, the peripheral circuits stop in the states when the IDLE0 mode is activated or become the same as the states when a reset is released. For operations of the peripheral circuits in the IDLE0 mode, refer to the section of each peripheral circuit.

The IDLE0 mode is activated by setting SYSCR2<TGHALT> to "1" in the NORMAL1 mode.

When the IDLE0 mode is activated, the CPU stops and the timing generator stops the clock supply to the peripheral circuits except the time base timer.

When the falling edge of the source clock selected at TBTCR<TBTCCK> is detected, the IDLE0 mode is released, the timing generator starts the clock supply to all the peripheral circuits and the NORMAL1 mode is restored.

Note that the IDLE0 mode is activated and restarted, regardless of the setting of TBTCR<TBTEN>.

When the IDLE0 mode is activated with TBTCR<TBTEN> set at "1", the INTTBT interrupt latch is set after the NORMAL mode is restored.

When the IMF is "1" and the EF5 (the individual interrupt enable flag for the time base timer) is "1", the operation returns normal after the interrupt processing is completed.

When the IMF is "0" or when the IMF is "1" and the EF5 (the individual interrupt enable flag for the time base timer) is "0", the operation is restarted by the instruction that follows the IDLE0 mode activation instruction.

2.3.6.2 Dual-clock mode

The gear clock (fcgck) and the low-frequency clock (fs) are used for the operation in the dual-clock mode.

The main system clock (fm) is generated from the gear clock (fcgck) in the NORMAL2 or IDLE2 mode, and generated from the clock that is a quarter of the low-frequency clock (fs) in the SLOW1/2 or SLEEP0/1 mode. Therefore, the machine cycle time is $1/\text{fcgck}$ [s] in the NORMAL2 or IDLE2 mode and is $4/\text{fs}$ [s] in the SLOW1/2 or SLEEP0/1 mode.

P02 (XTIN) and P03 (XTOUT) are used as the low-frequency clock oscillation circuit pins. (These pins cannot be used as I/O ports in the dual-clock mode.)

The operation of the TLCS-870/C1 Series becomes the single-clock mode after reset release. To operate it in the dual-clock mode, allow the low-frequency clock to oscillate at the program.

(1) NORMAL2 mode

In this mode, the CPU core operates using the gear clock (fcgck), and the peripheral circuits operate using the gear clock (fcgck) or the clock that is a quarter of the low-frequency clock (fs).

(2) SLOW2 mode

In this mode, the CPU core and the peripheral circuits operate using the clock that is a quarter of the low-frequency clock (fs).

In the SLOW mode, some peripheral circuits become the same as the states when a reset is released. For operations of the peripheral circuits in the SLOW mode, refer to the section of each peripheral circuit.

Set SYSCR2<SYSCK> to switch the operation mode from NORMAL2 to SLOW2 or from SLOW2 to NORMAL2.

In the SLOW2 mode, outputs of the prescaler and stages 1 to 8 of the divider stop.

(3) SLOW1 mode

In this mode, the high-frequency clock oscillation circuit stops operation and the CPU core and the peripheral circuits operate using the clock that is a quarter of the low-frequency clock (fs).

This mode requires less power to operate the high-frequency clock oscillation circuit than in the SLOW2 mode.

In the SLOW mode, some peripheral circuits become the same as the states when a reset is released. For operations of the peripheral circuits in the SLOW mode, refer to the section of each peripheral circuit.

Set SYSCR2<XEN> to switch the operation between the SLOW1 and SLOW2 modes.

In the SLOW1 or SLEEP1 mode, outputs of the prescaler and stages 1 to 8 of the divider stop.

(4) IDLE2 mode

In this mode, the CPU and the watchdog timer stop and the peripheral circuits operate using the gear clock (f_{gck}) or the clock that is a quarter of the low-frequency clock (f_s).

The IDLE2 mode can be activated and released in the same way as for the IDLE1 mode. The operation returns to the NORMAL2 mode after this mode is released.

(5) SLEEP1 mode

In this mode, the high-frequency clock oscillation circuit stops operation, the CPU and the watchdog timer stop, and the peripheral circuits operate using the clock that is a quarter of the low-frequency clock (f_s).

In the SLEEP1 mode, some peripheral circuits become the same as the states when a reset is released. For operations of the peripheral circuits in the SLEEP1 mode, refer to the section of each peripheral circuit.

The SLEEP1 mode can be activated and released in the same way as for the IDLE1 mode. The operation returns to the SLOW1 mode after this mode is released.

In the SLOW1 or SLEEP1 mode, outputs of the prescaler and stages 1 to 8 of the divider stop.

(6) SLEEP0 mode

In this mode, the high-frequency clock oscillation circuit stops operation, the time base timer operates using the clock that is a quarter of the low-frequency clock (f_s), and the core and the peripheral circuits stop.

In the SLEEP0 mode, the peripheral circuits stop in the states when the SLEEP0 mode is activated or become the same as the states when a reset is released. For operations of the peripheral circuits in the SLEEP0 mode, refer to the section of each peripheral circuit.

The SLEEP0 mode can be activated and released in the same way as for the IDLE0 mode. The operation returns to the SLOW1 mode after this mode is released.

In the SLEEP0 mode, the CPU stops and the timing generator stops the clock supply to the peripheral circuits except the time base timer.

2.3.6.3 STOP mode

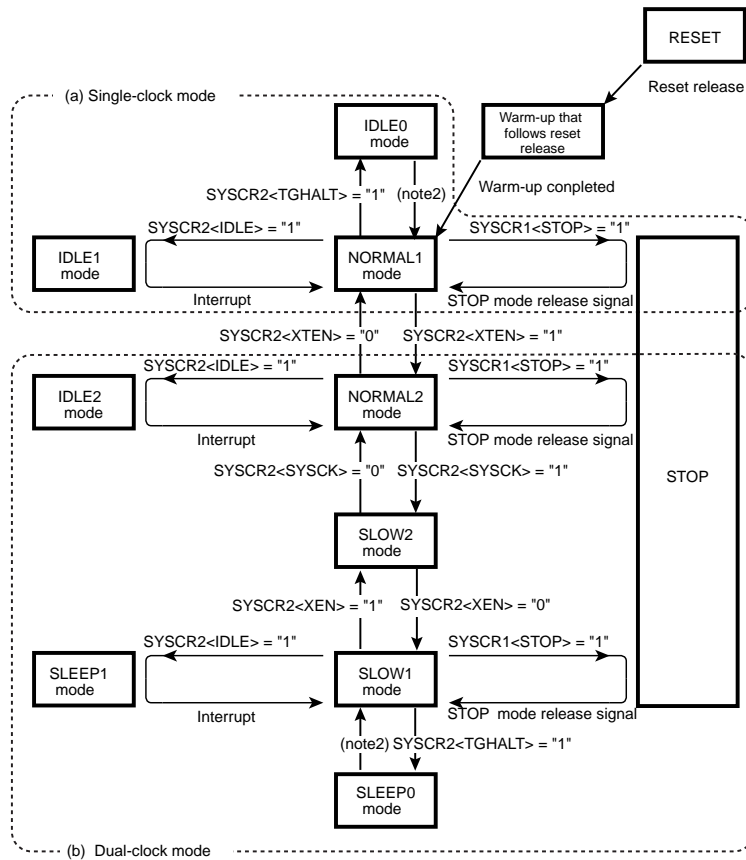
In this mode, all the operations in the system, including the oscillation circuits, are stopped and the internal states in effect before the system was stopped are held with low power consumption.

In the STOP mode, the peripheral circuits stop in the states when the STOP mode is activated or become the same as the states when a reset is released. For operations of the peripheral circuits in the STOP mode, refer to the section of each peripheral circuit.

The STOP mode is activated by setting SYSCR1<STOP> to "1".

The STOP mode is released by the STOP mode release signals. After the warm-up time has elapsed, the operation returns to the mode that was active before the STOP mode, and the operation is restarted by the instruction that follows the STOP mode activation instruction.

2.3.6.4 Transition of operation modes



Note 1: The NORMAL1 and NORMAL2 modes are generically called the NORMAL mode; the SLOW1 and SLOW2 modes are called the SLOW mode; the IDLE0, IDLE1 and IDLE2 modes are called the IDLE mode; and the SLEEP0 and SLEEP1 are called the SLEEP mode.

Note 2: The mode is released by the falling edge of the source clock selected at $TBTCR<TBTCCK>$.

Figure 2-9 Operation Mode Transition Diagram

Table 2-3 Operation Modes and Conditions

Operation mode		Oscillation circuit		CPU core	Watchdog timer	Time base timer	AD converter	PMD, PLL	Other peripheral circuits	Machine cycle time												
		High-frequency	Low-frequency																			
Single clock	RESET	Oscillation	Stop	Reset	Reset	Reset	Reset	Reset	Reset	1 / fcgck [s]												
	NORMAL1			Operate	Operate	Operate	Operate	Operate	Operate													
	IDLE1			Stop	Stop		Operate	Stop	Stop		Stop											
	IDLE0																					
	STOP	Stop			Stop																	
Dual clock	NORMAL2	Oscillation	Oscillation	Operate with high frequency	Operate with high / low frequency	Operate	Operate	Operate with High frequency	Operate	1 / fcgck [s]												
	IDLE2			Stop	Stop																	
	SLOW2	Stop	Oscillation	Operate with low frequency	Operate with low frequency		Operate	Stop		Stop	4 / fs [s]											
	SLOW1			Operate with low frequency	Operate with low frequency																	
	SLEEP1			Stop	Oscillation							Stop	Stop	Operate	Stop	Operate						
	SLEEP0																					
	STOP																Stop	Stop	Stop	Stop	Stop	-

2.3.7 Operation Mode Control

2.3.7.1 STOP mode

The STOP mode is controlled by system control register 1 (SYSCR1) and the STOP mode release signals.

(1) Start the STOP mode

The STOP mode is started by setting SYSCR1<STOP> to "1". In the STOP mode, the following states are maintained:

- Both the high-frequency and low-frequency clock oscillation circuits stop oscillation and all internal operations are stopped.
- The data memory, the registers and the program status word are all held in the states in effect before STOP mode was started. The port output latch is determined by the value of SYSCR1<OUTEN>.
- The prescaler and the divider of the timing generator are cleared to "0".
- The program counter holds the address of the instruction 2 ahead of the instruction (e.g., [SET (SYSCR1).7]) which started the STOP mode.

(2) Release the STOP mode

The STOP mode is released by the following STOP mode release signals. It is also released by a reset by the RESET pin, a power-on reset and a reset by the voltage detection circuits. When a reset is released, the warm-up starts. After the warm-up is completed, the NORMAL1 mode becomes active.

- Release by the STOP pin
- Release by key-on wakeup
- Release by the voltage detection circuits

Note: During the STOP period (from the start of the STOP mode to the end of the warm-up), due to changes in the external interrupt pin signal, interrupt latches may be set to "1" and interrupts may be accepted immediately after the STOP mode is released. Before starting the STOP mode, therefore, disable interrupts. Also, before enabling interrupts after STOP mode is released, clear unnecessary interrupt latches.

1. Release by the $\overline{\text{STOP}}$ pin

Release the $\overline{\text{STOP}}$ mode by using the STOP pin.

The STOP mode release by the STOP pin includes the level-sensitive release mode and the edge-sensitive release mode, either of which can be selected at SYSCR1<RELM>.

The $\overline{\text{STOP}}$ pin is also used as the P11 port and the $\overline{\text{INT5}}$ (external interrupt input 5) pin.

- Level-sensitive release mode

The STOP mode is released by setting the $\overline{\text{STOP}}$ pin high.

Setting SYSCR1<RELM> to "1" selects the level-sensitive release mode.

This mode is used for the capacitor backup when the main power supply is cut off and the long term battery backup.

Even if an instruction for starting the STOP mode is executed while the $\overline{\text{STOP}}$ pin input is high, the STOP mode does not start. Thus, to start the STOP mode in the level-sensitive release mode, it is necessary for the program to first confirm that the $\overline{\text{STOP}}$ pin input is low.

This can be confirmed by testing the port by the software or using interrupts

Note: When the STOP mode is released, the warm-up counter source clock automatically changes to the clock that generated the main system clock when the STOP mode was started, regardless of WUCCR<WUCSEL>.

Example: Starting the STOP mode from NORMAL mode after testing P11 port.
(Warm-up time at release of the STOP mode is about 300µs at fc= 8MHz.)

```

SSTOPH: LD      (SYSCR1), 0x40          ;Sets up the level-sensitive release mode
        TEST    (P1PRD), 1           ;Wait until  $\overline{\text{STOP}}$  pin becomes L level.
        J       F, SSTOPH
        LD      (WUCCR), 0x01        ;WUCCR<WUCDIV> = 00 (No division) (Note)
        LD      (WUCDR), 0x26        ;Sets the warm-up time
                                           ;300µs / 8µs = 37.5 → round up to 0x26
        DI                                           ;IMF = 0
        SET     (SYSCR1), 7          ;Starts the STOP mode
    
```

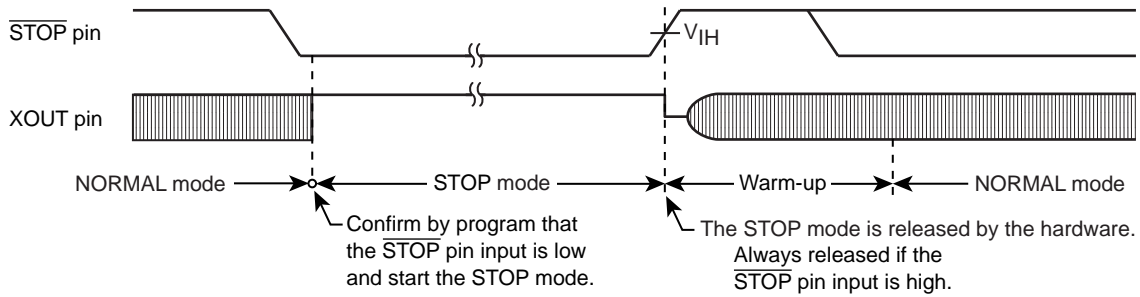
Note: When the STOP mode is released, the warm-up counter source clock automatically changes to the clock that generated the main system clock when the STOP mode was started, regardless of WUCCR<WUCSEL>.

Example: Starting the STOP mode from the SLOW mode with an INT5 interrupt
(Warm-up time at release of the STOP mode is about 450ms at fs=32.768 kHz.)

```

PINT5:  TEST    (P1PRD), 1           ;To reject noise, the STOP mode does not start
        J       F, SINT5            ;if the  $\overline{\text{STOP}}$  pin input is high.
        LD      (SYSCR1), 0x40        ;Sets up the level-sensitive release mode
        LD      (WUCCR), 0x03        ;WUCCR<WUCDIV> = 00 (No division) (Note)
        LD      (WUCDR), 0xE8        ;Sets the warm-up time
                                           ;450 ms / 1.953 ms = 230.4 → round up to 0xE8
        DI                                           ;IMF = 0
        SET     (SYSCR1), 7          ;Starts the STOP mode
SINT5:  RETI
    
```

Note: When the STOP mode is released, the warm-up counter source clock automatically changes to the clock that generated the main system clock when the STOP mode was started, regardless of WUCCR<WUCSEL>.



Note: Even if the $\overline{\text{STOP}}$ pin input returns to low after the warm-up starts, the STOP mode is not restarted.

Figure 2-10 Level-sensitive Release Mode (Example when the high-frequency clock oscillation circuit is selected)

- Edge-sensitive release mode

In this mode, the STOP mode is released at the rising edge of the $\overline{\text{STOP}}$ pin input.

Setting SYSCR1<RELM> to "0" selects the edge-sensitive release mode.

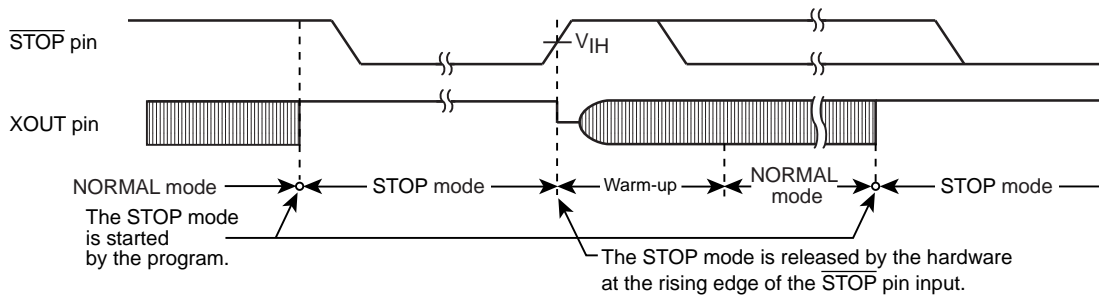
This is used in applications where a relatively short program is executed repeatedly at periodic intervals. This periodic signal (for example, a clock from a low-power consumption oscillator) is input to the $\overline{\text{STOP}}$ pin. In the edge-sensitive release mode, the STOP mode is started even when the $\overline{\text{STOP}}$ pin input is high

Example: Starting the STOP mode from the NORMAL mode

(Warm-up time at release of the STOP mode is about 200 μ s at $f_c=8$ MHz.)

```
LD    (WUCCR),0x01           ;WUCCR<WUCDIV> = 00 (No division) (Note)
LD    (WUCDR),0x19          ;Sets the warm-up time
                                   ;200 $\mu$ s / 8 $\mu$ s = 25  $\rightarrow$  0x19
DI    ;IMF = 0
LD    (SYSCR1), 0x80        ;Starts the STOP mode with the edge-sensitive release mode selected
```

Note: When the STOP mode is released, the warm-up counter source clock automatically changes to the clock that generated the main system clock when the STOP mode was started, regardless of WUCCR<WUCSEL>.



Note: If the rising edge is input to the $\overline{\text{STOP}}$ pin within 1 machine cycle after SYSCR1<STOP> is set to "1", the STOP mode will not be released.

Figure 2-11 Edge-sensitive Release Mode (Example when the high-frequency clock oscillation circuit is selected)

2. Release by the key-on wakeup

The STOP mode is released by inputting the prescribed level to the key-on wakeup pin. The level to release the STOP mode can be selected from "H" and "L". For release by the key-on wakeup, refer to section "Key-on Wakeup".

Note: If the key-on wakeup pin input becomes the opposite level to the release level after the warm-up starts, the STOP mode is not restarted.

3. Release by the voltage detection circuits

The STOP mode is released by the supply voltage detection by the voltage detection circuits.

If the voltage detection operation mode of the voltage detection circuits is set to "Generates a voltage detection reset signal", the STOP mode is released and a reset is applied as soon as the supply voltage becomes lower than the detection voltage.

When the supply voltage becomes equal to or higher than the detection voltage of the voltage detection circuits, the reset is released and the warm-up starts. After the warm-up is completed, the NORMAL1 mode becomes active.

For details, refer to the section of the voltage detection circuits.

Note: If the supply voltage becomes equal to or higher than the detection voltage within 1 machine cycle after SYSCR1<STOP> is set to "1", the STOP mode will not be released.

(3) STOP mode release operation

The STOP mode is released in the following sequence:

1. Oscillation starts. For the oscillation start operation in each mode, refer to "Table 2-4 Oscillation Start Operation at Release of the STOP Mode".
2. Warm-up is executed to secure the time required to stabilize oscillation. The internal operations remain stopped during warm-up. The warm-up time is set by the warm-up counter, depending on the oscillator characteristics.
3. After the warm-up time has elapsed, the normal operation is restarted by the instruction that follows the STOP mode start instruction. At this time, the prescaler and the divider of the timing generator are cleared to "0".

Note: When the STOP mode is released with a low hold voltage, the following cautions must be observed.

The supply voltage must be at the operating voltage level before releasing the STOP mode. The RESET pin input must also be "H" level, rising together with the supply voltage. In this case, if an external time constant circuit has been connected, the RESET pin input voltage will increase at a slower pace than the power supply voltage. At this time, there is a danger that a reset may occur if the input voltage level of the RESET pin drops below the non-inverting high-level input voltage (Hysteresis input).

Table 2-4 Oscillation Start Operation at Release of the STOP Mode

Operation mode before the STOP mode is started		High-frequency clock	Low-frequency clock	Oscillation start operation after release
Single-clock mode	NORMAL1	High-frequency clock oscillation circuit	-	The high-frequency clock oscillation circuit starts oscillation. The low-frequency clock oscillation circuit stops oscillation.
Dual-clock mode	NORMAL2	High-frequency clock oscillation circuit	Low-frequency clock oscillation circuit	The high-frequency clock oscillation circuit starts oscillation. The low-frequency clock oscillation circuit starts oscillation.
	SLOW1	-	Low-frequency clock oscillation circuit	The high-frequency clock oscillation circuit stops oscillation. The low-frequency clock oscillation circuit starts oscillation.

Note: When the operation returns to the NORMAL2 mode, fc is input to the frequency division circuit of the warm-up counter.

2.3.7.2 IDLE1/2 and SLEEP1 modes

The IDLE1/2 and SLEEP1 modes are controlled by the system control register 2 (SYSCR2) and maskable interrupts. The following states are maintained during these modes.

1. The CPU and the watchdog timer stop their operations. The peripheral circuits continue to operate.
2. The data memory, the registers, the program status word and the port output latches are all held in the status in effect before IDLE1/2 or SLEEP1 mode was started.
3. The program counter holds the address of the instruction 2 ahead of the instruction which starts the IDLE1/2 or SLEEP1 mode.

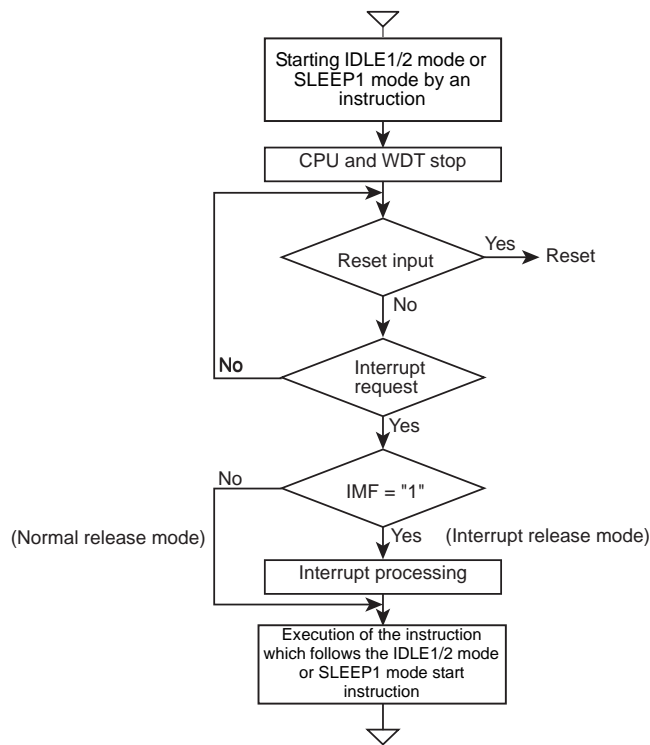


Figure 2-12 IDLE1/2 and SLEEP 1 Modes

(1) Start the IDLE1/2 and SLEEP1 modes

After the interrupt master enable flag (IMF) is set to "0", set the individual interrupt enable flag (EF) to "1", which releases IDLE1/2 and SLEEP1 modes.

To start the IDLE1/2 or SLEEP1 mode, set SYSCR2<IDLE> to "1".

If the release condition is satisfied when it is attempted to start the IDLE1/2 or SLEEP1 mode, SYSCR2<IDLE> remains cleared and the IDLE1/2 or SLEEP1 mode will not be started.

Note 1: When a watchdog timer interrupt is generated immediately before the IDLE1/2 or SLEEP1 mode is started, the watchdog timer interrupt will be processed but the IDLE1/2 or SLEEP1 mode will not be started.

Note 2: Before starting the IDLE1/2 or SLEEP1 mode, enable the interrupt request signals to be generated to release the IDLE1/2 or SLEEP1 mode and set the individual interrupt enable flag.

(2) Release the IDLE1/2 and SLEEP1 modes

The IDLE1/2 and SLEEP1 modes include a normal release mode and an interrupt release mode. These modes are selected at the interrupt master enable flag (IMF). After releasing IDLE1/2 or SLEEP1 mode, SYSCR2<IDLE> is automatically cleared to "0" and the operation mode is returned to the mode preceding the IDLE1/2 or SLEEP1 mode.

The IDLE1/2 and SLEEP1 modes are also released by a reset by the $\overline{\text{RESET}}$ pin, a power-on reset and a reset by the voltage detection circuits. After releasing the reset, the warm-up starts. After the warm-up is completed, the NORMAL1 mode becomes active.

- Normal release mode (IMF = "0")

The IDLE1/2 or SLEEP1 mode is released when the interrupt latch enabled by the individual interrupt enable flag (EF) is "1". The operation is restarted by the instruction that follows the IDLE1/2 or SLEEP1 mode start instruction. Normally, the interrupt latch (IL) of the interrupt source used for releasing must be cleared to "0" by load instructions.

- Interrupt release mode (IMF = "1")

The IDLE1/2 or SLEEP1 mode is released when the interrupt latch enabled by the individual interrupt enable flag (EF) is "1". After the interrupt is processed, the operation is restarted by the instruction that follows the IDLE1/2 or SLEEP1 mode start instruction.

2.3.7.3 IDLE0 and SLEEP0 modes

The IDLE0 and SLEEP0 modes are controlled by the system control register 2 (SYSCR2) and the time base timer control register (TBTCR). The following states are maintained during the IDLE0 and SLEEP0 modes:

- The timing generator stops the clock supply to the peripheral circuits except the time base timer.
- The data memory, the registers, the program status word and the port output latches are all held in the states in effect before the IDLE0 or SLEEP0 mode was started.
- The program counter holds the address of the instruction 2 ahead of the instruction which starts the IDLE0 or SLEEP0 mode.

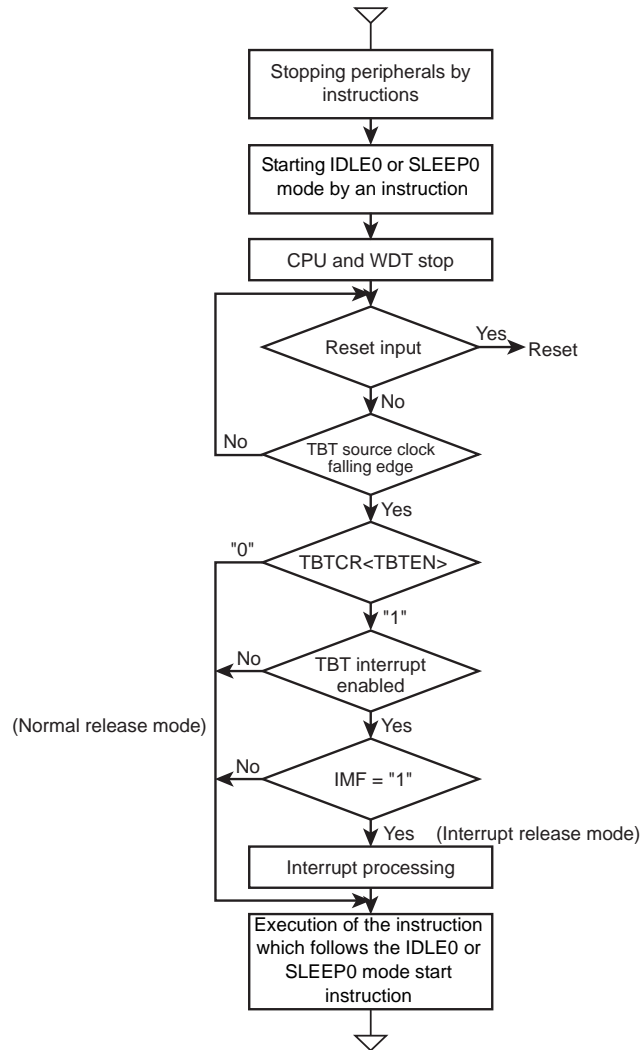


Figure 2-13 IDLE0 and SLEEP0 Modes

- Start the IDLE0 and SLEEP0 modes
 - Stop (disable) the peripherals such as a timer counter.
 - To start the IDLE0 or SLEEP0 mode, set SYSCR2<TGHALT> to "1".
- Release the IDLE0 and SLEEP0 modes
 - The IDLE0 and SLEEP0 modes include a normal release mode and an interrupt release mode. These modes are selected at the interrupt master enable flag (IMF), the individual interrupt enable flag (EF5) for the time base timer and TBTCR<TBTEN>. After releasing the IDLE0 or SLEEP0 mode, SYSCR2<TGHALT> is automatically cleared to "0" and the operation mode is returned to the mode preceding the IDLE0 or SLEEP0 mode. If TBTCR<TBTEN> has been set at "1", the INTTBT interrupt latch is set.
 - The IDLE0 and SLEEP0 modes are also released by a reset by the $\overline{\text{RESET}}$ pin, a power-on reset and a reset by the voltage detection circuits. When a reset is released, the warm-up starts. After the warm-up is completed, the NORMAL1 mode becomes active.

(1) Normal release mode (IMF, EF5, TBTCR<TBTEN> = "0")

The IDLE0 or SLEEP0 mode is released when the falling edge of the source clock selected at TBTCR<TBTCCK> is detected. After the IDLE0 or SLEEP0 mode is released, the operation is restarted by the instruction that follows the IDLE0 or SLEEP0 mode start instruction.

When TBTCR<TBTEN> is "1", the time base timer interrupt latch is set.

(2) Interrupt release mode (IMF, EF5, TBTCR<TBTEN> = "1")

The IDLE0 or SLEEP0 mode is released when the falling edge of the source clock selected at TBTCR<TBTCCK> is detected. After the release, the INTTBT interrupt processing is started.

Note 1: The IDLE0 or SLEEP0 mode is released to the NORMAL1 or SLOW1 mode by the asynchronous internal clock selected at TBTCR<TBTCCK>. Therefore, the period from the start to the release of the mode may be shorter than the time specified at TBTCR<TBTCCK>.

Note 2: When a watchdog timer interrupt is generated immediately before the IDLE0 or SLEEP0 mode is started, the watchdog timer interrupt will be processed but the IDLE0 or SLEEP0 mode will not be started.

2.3.7.4 SLOW mode

The SLOW mode is controlled by system control register 2 (SYSCR2).

(1) Switching from the NORMAL2 mode to the SLOW1 mode

Set SYSCR2<SYSCK> to "1".

When a maximum of $2/f_{cgck} + 10/f_s$ [s] has elapsed since SYSCR2<SYSCK> is set to "1", the main system clock (fm) is switched to $f_s/4$.

After switching, wait for 2 machine cycles or longer, and then clear SYSCR2<XEN> to "0" to turn off the high-frequency clock oscillator.

If the oscillation of the low-frequency clock (f_s) is unstable, confirm the stable oscillation at the warm-up counter before implementing the procedure described above.

Note 1: Be sure to follow this procedure to switch the operation from the NORMAL2 mode to the SLOW1 mode.

Note 2: It is also possible to allow the basic clock for the high-frequency clock to oscillate continuously to return to NORMAL2 mode. However, be sure to turn off the oscillation of the basic clock for the high-frequency clock when the STOP mode is started from the SLOW mode.

Note 3: After switching SYSCR2<SYSCK>, be sure to wait for 2 machine cycles or longer before clearing SYSCR2<XEN> to "0". Clearing it within 2 machine cycles causes a system clock reset.

Note 4: When the main system clock (fm) is switched, the gear clock (fcgck) is synchronized with the clock that is a quarter of the basic clock (f_s) for the low-frequency clock. For the synchronization, fm is stopped for a period of $10/f_s$ or shorter.

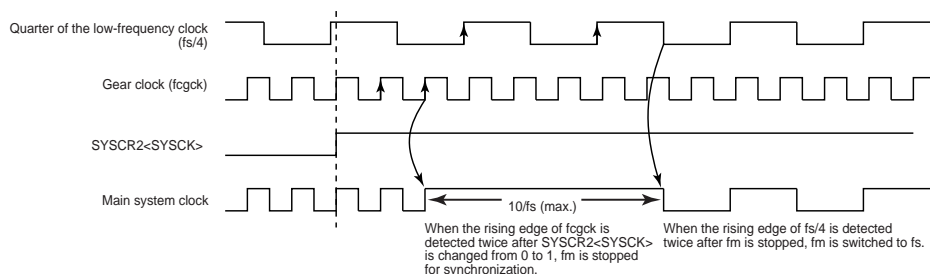


Figure 2-14 Switching of the Main System Clock (fm) (Switching from fcgck to $f_s/4$)

Example 1: Switching from the NORMAL2 mode to the SLOW1 mode (when fc is used as the basic clock for the high-frequency clock)

```

SET    (SYSCR2),4                ;SYSCR2<SYSCK> = 1
                                           ;(Switches the main system clock to the basic clock for the
                                           ;low-frequency clock for the SLOW2 mode)

NOP                                         ;Waits for 2 machine cycles
NOP
CLR    (SYSCR2),6                ;SYSCR2<XEN> = 0
                                           ;(Turns off the high-frequency clock oscillation circuit)
  
```

Example 2: When it is operated in the high frequency clock, switching to the SLOW1 mode after the stable oscillation of the low-frequency clock oscillation circuit is confirmed at the warm-up counter (fs=32.768kHz, warm-up time = about 100 ms)

```

;#### Initialize routine ####
SET    (P0FC),2                  ;P0FC2 = 1 (Uses P02/03 as oscillators)
|
|
LD     (WUCCR), 0x02             ;WUCCR<WUCDIV> = 00 (No division)
                                           ;WUCCR<WUCSEL> = 1 (Selects fs as the source clock)

LD     (WUCDR), 0x33             ;Sets the warm-up time
                                           ;(Determines the time depending on the oscillator characteristics)
                                           ;100 ms/1.95 ms = 51.2 → round up to 0x33

SET    (EIRL),4                 ;Enables INTWUC interrupts
SET    (SYSCR2),5               ;SYSCR2<XTEN> = 1
                                           ;(Starts the low-frequency clock oscillation and starts the warm-up
                                           ;counter)

|
;#### Interrupt service routine of warm-up counter interrupts ####
PINTWUC: SET    (SYSCR2),4        ;SYSCR2<SYSCK> = 1
                                           ;(Switches the main system clock to the low-frequency clock)

NOP                                         ;Waits for 2 machine cycles
NOP
CLR    (SYSCR2),6                ;SYSCR2<XEN> = 0
                                           ;(Turns off the high-frequency clock oscillation circuit)

RETI
|
VINTWUC: DW     PINTWUC           ;INTWUC vector table
  
```

(2) Switching from the SLOW1 mode to the NORMAL1 mode

Set SYSCR2<XEN> to "1" to enable the high-frequency clock (fc) to oscillate. Confirm at the warm-up counter that the oscillation of the basic clock for the high-frequency clock has stabilized, and then clear SYSCR2<SYSCK> to "0".

When a maximum of $8/fs + 2.5/fc_{gck}$ [s] has elapsed since SYSCR2<SYSCK> is cleared to "0", the main system clock (fm) is switched to fcgck.

After switching, wait for 2 machine cycles or longer, and then clear SYSCR2<XTEN> to "0" to turn off the low-frequency clock oscillator.

2.4 Reset Control Circuit

The reset circuit controls the external and internal factor resets and initializes the system.

2.4.1 Configuration

The reset control circuit consists of the following reset signal generation circuits:

1. External reset input (external factor)
2. Power-on reset (internal factor)
3. Voltage detection reset 1 (internal factor)
4. Voltage detection reset 2 (internal factor)
5. Watchdog timer reset (internal factor)
6. System clock reset (internal factor)
7. Trimming data reset (internal factor)
8. Flash standby reset (internal factor)

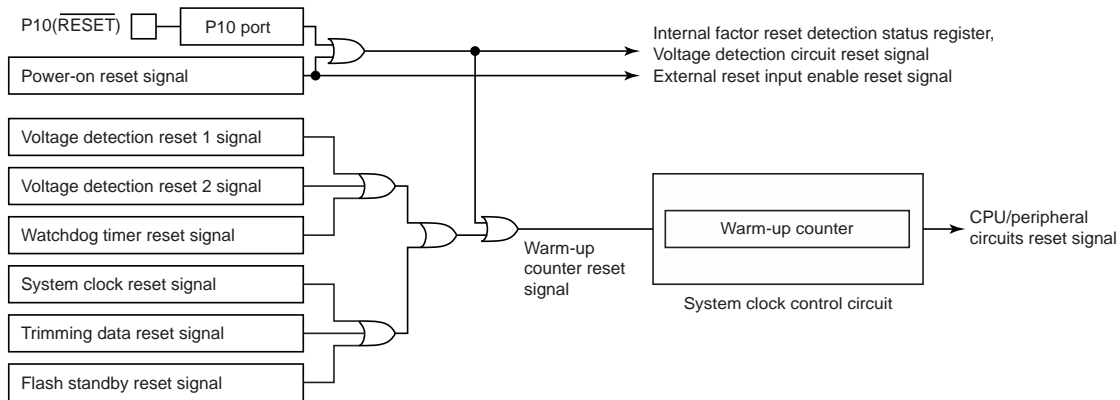


Figure 2-16 Reset Control Circuit

2.4.2 Control

The reset control circuit is controlled by system control register 4 (SYSCR4) and the internal factor reset detection status register (IRSTSR).

System control register 4

SYSCR4 (0x0FDF)	7	6	5	4	3	2	1	0
Bit Symbol	SYSCR4							
Read/Write	W							
After reset	0	0	0	0	0	0	0	0

SYSCR4	Writes the SYSCR3 data control code.	0xD4 :	Enables the contents of SYSCR3<RAREA> and SYSCR3 <RVCTR>
		0x71 :	Enables the contents of IRSTSR<FCLR>
		Others :	Invalid

Note 1: SYSCR4 is a write-only register, and must not be accessed by using a read-modify-write instruction, such as a bit operation.

Note 2: After IRSTSR<FCLR> is modified, SYSCR4 should be written 0x71 (Enable code for IRSTSR<FCLR> in NORMAL mode when fcgck is fc/4 (CGCR<FCGCKSEL>=00). Otherwise, IRSTSR<FCLR> may be enabled at unexpected timing.

Internal factor reset detection status register

IRSTSR (0x0FCC)	7	6	5	4	3	2	1	0
Bit Symbol	FCLR	FLSRF	TRMDS	TRMRF	LVD2RF	LVD1RF	SYSRF	WDTRF
Read/Write	W	R	R	R	R	R	R	R
After reset	0	0	0	0	0	0	0	0

FCLR	Flag initialization control	0 : - 1 : Clears the internal factor reset flag to "0".
FLSRF	Flash standby reset detection flag	0 : - 1 : Detects the flash standby reset.
TRMDS	Trimming data status	0 : - 1 : Detect state of abnormal trimming data
TRMRF	Trimming data reset detection flag	0 : - 1 : Detects the trimming data reset.
LVD2RF	Voltage detection reset 2 detection flag	0 : - 1 : Detects the voltage detection 2 reset.
LVD1RF	Voltage detection reset 1 detection flag	0 : - 1 : Detects the voltage detection 1 reset.
SYSRF	System clock reset detection flag	0 : - 1 : Detects the system clock reset.
WDTRF	Watchdog timer reset detection flag	0 : - 1 : Detects the watchdog timer reset.

- Note 1: Internal reset factor flag (IRSTSR<FLSRF, TRMDS, TRMRF, LVD2RF,LVD1RF,SYSRF, WDTRF>) is initialized only by a power-on reset, an external reset input or IRSTSR <FCLR>. It is not initialized by an internal factor reset.
- Note 2: Care must be taken in system designing since the IRSTSR may not fulfill its functions due to disturbing noise and other effects.
- Note 3: If SYSCR4 is set to 0x71 after IRSTSR<FCLR> is set to "1", internal factor reset flag is cleared to "0" and IRSTSR<FCLR> is automatically cleared to "0".
- Note 4: After IRSTSR<FCLR> is modified, SYSCR4 should be written 0x71 (Enable code for IRSTSR<FCLR> in NORMAL mode when fcgck is fc/4 (CGCR<FCGCKSEL>=00). Otherwise, IRSTSR<FCLR> may be enabled at unexpected timing.
- Note 5: Bit 7 of IRSTSR is read as "0".

2.4.3 Functions

The power-on reset, external reset input and internal factor reset signals are input to the warm-up circuit of the clock generator.

During reset, the warm-up counter circuit is reset, and the CPU and the peripheral circuits are reset.

After reset is released, the warm-up counter starts counting the high frequency clock (fc), and executes the warm-up operation that follows reset release.

During the warm-up operation that follows reset release, the trimming data is loaded from the non-volatile exclusive use memory for adjustment of the ladder resistor that generates the comparison voltage for the power-on reset and the voltage detection circuits.

When the warm-up operation that follows reset release is finished, the CPU starts execution of the program from the reset vector address stored in addresses 0xFFFFE to 0xFFFF.

When a reset signal is input during the warm-up operation that follows reset release, the warm-up counter circuit is reset.

The reset operation is common to the power-on reset, external reset input and internal factor resets, except for the initialization of some special function registers and the initialization of the voltage detection circuits.

When a reset is applied, the peripheral circuits become the states as shown in Table 2-5.

Table 2-5 Initialization of Built-in Hardware by Reset Operation and Its Status after Release

Built-in hardware	During reset	During the warm-up operation that follows reset release	Immediately after the warm-up operation that follows reset release
Program counter (PC)	MCU mode: 0xFFFFE Serial PROM mode: 0x1FFE	MCU mode: 0xFFFFE Serial PROM mode: 0x1FFE	MCU mode: 0xFFFFE Serial PROM mode: 0x1FFE
Stack pointer (SP)	0x00FF	0x00FF	0x00FF
RAM	Indeterminate	Indeterminate	Indeterminate
General-purpose registers (W, A, B, C, D, E, H, L, IX and IY)	Indeterminate	Indeterminate	Indeterminate
Register bank selector (RBS)	0	0	0
Jump status flag (JF)	Indeterminate	Indeterminate	Indeterminate
Zero flag (ZF)	Indeterminate	Indeterminate	Indeterminate
Carry flag (CF)	Indeterminate	Indeterminate	Indeterminate
Half carry flag (HF)	Indeterminate	Indeterminate	Indeterminate
Sign flag (SF)	Indeterminate	Indeterminate	Indeterminate
Overflow flag (VF)	Indeterminate	Indeterminate	Indeterminate
Interrupt master enable flag (IMF)	0	0	0
Individual interrupt enable flag (EF)	0	0	0
Interrupt latch (IL)	0	0	0
High-frequency clock oscillation circuit	Oscillation enabled	Oscillation enabled	Oscillation enabled
Low-frequency clock oscillation circuit	Oscillation disabled	Oscillation disabled	Oscillation disabled
Warm-up counter	Reset	Start	Stop
Timing generator prescaler and divider	0	0	0
Watchdog timer	Disabled	Disabled	Enabled
Voltage detection circuit	Disabled or enabled	Disabled or enabled	Disabled or enabled
I/O port pin status	HiZ	HiZ	HiZ
Special function register	Refer to the SFR map.	Refer to the SFR map.	Refer to the SFR map.

Note: The voltage detection circuits are disabled by an external reset input or power-on reset only.

2.4.4 Reset Signal Generating Factors

Reset signals are generated by each factor as follows:

2.4.4.1 Power-on reset

The power-on reset is an internal reset that occurs when power is turned on.

During power-up, a power-on reset signal is generated while the supply voltage is below the power-on reset release voltage. When the supply voltage rises above the power-on reset release voltage, the power-on reset signal is released.

During power-down, a power-on reset signal is generated when the supply voltage falls below the power-on reset detection voltage.

Refer to "Power-on Reset circuit".

2.4.4.2 External reset input ($\overline{\text{RESET}}$ pin input)

This is an external reset that is generated by the $\overline{\text{RESET}}$ pin input.

- During power-up

- When the supply voltage rises rapidly

When the power supply rise time (t_{VDD}) is shorter than 5 [ms] with enough margin, the reset can be released by a power-on reset or an external reset ($\overline{\text{RESET}}$ pin input).

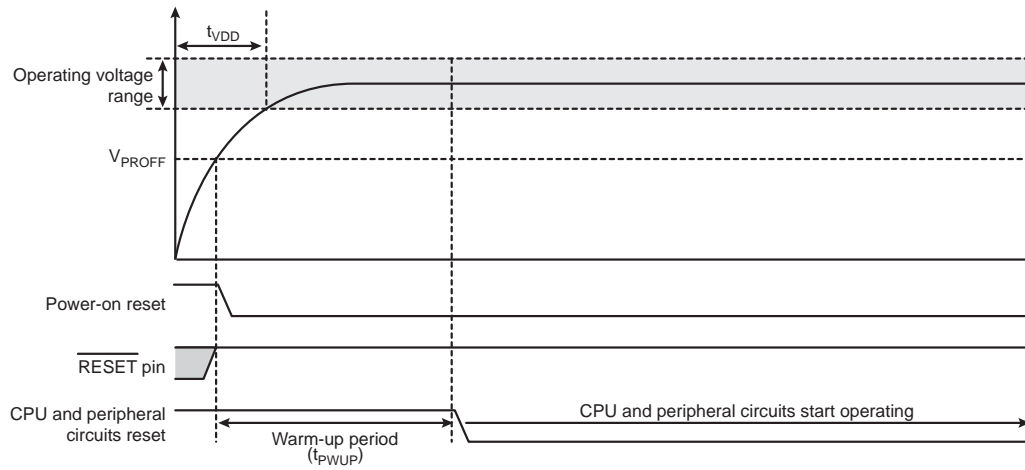
The power-on reset logic and external reset ($\overline{\text{RESET}}$ pin input) logic are ORed. This means that the TMP89FM82 is reset when either or both of these reset sources are asserted.

Therefore, the reset time is determined by the reset source with a longer reset period. If the $\overline{\text{RESET}}$ pin level changes from Low to High before the supply voltage rises above the power-on-reset release voltage (V_{PROFF}) (or if the $\overline{\text{RESET}}$ pin level is High from the beginning), the reset time depends on the power-on reset. If the $\overline{\text{RESET}}$ pin level changes from Low to High after the supply voltage rises above V_{PROFF} , the reset time depends on the external reset.

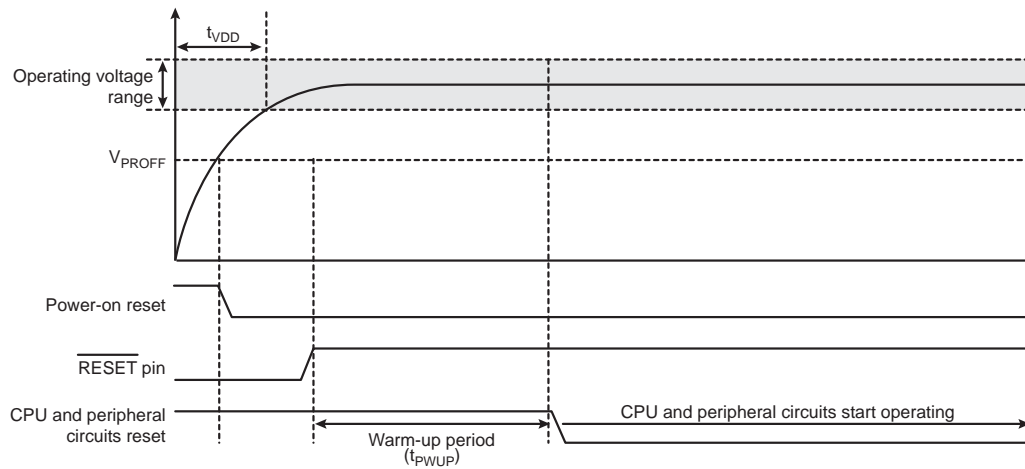
In the former case, a warm-up period begins when the power-on reset signal is released. In the latter case, a warm-up period begins when the $\overline{\text{RESET}}$ pin level becomes High. Upon completion of the warm-up period, the CPU and peripheral circuits start operating (Figure 2-17).

- When the supply voltage rises slowly

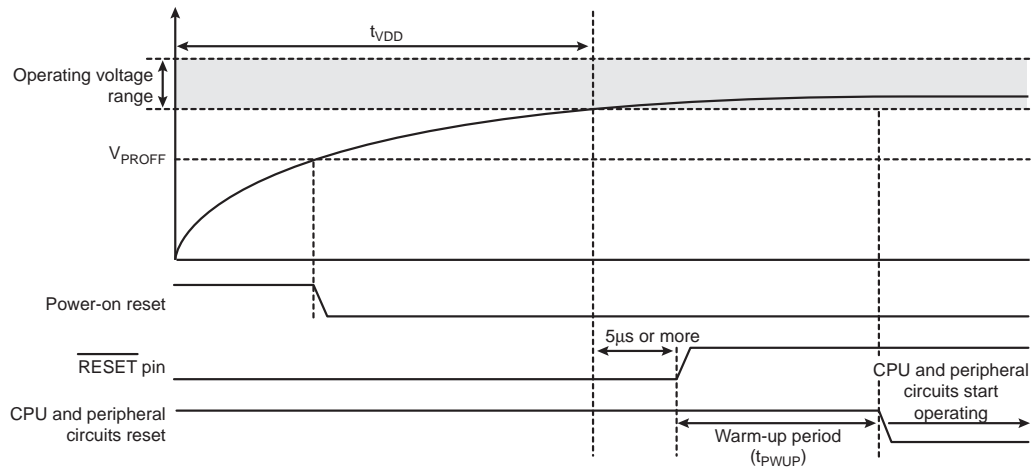
When the power supply rise time (t_{VDD}) is longer than 5 [ms], the reset must be released by using the $\overline{\text{RESET}}$ pin. In this case, hold the $\overline{\text{RESET}}$ pin Low until the supply voltage rises to the operating voltage range and oscillation is stabilized. When this state is achieved, wait at least 5 [μ s] and then pull the $\overline{\text{RESET}}$ pin High. Changing the $\overline{\text{RESET}}$ pin level to High starts a warm-up period. Upon completion of the warm-up period, the CPU and peripheral circuits start operating (Figure 2-17).



When the supply voltage rises rapidly (When the reset time depends on power-on reset)



When the supply voltage rises rapidly (When the reset time depends on external reset)



When the supply voltage rises slowly

Figure 2-17 External Reset Input (During Power-Up)

- When the supply voltage is within the operating voltage range

When the supply voltage is within the operating voltage range and stable oscillation is achieved, holding the RESET pin Low for 5 [μ s] or longer generates a reset. Then, changing the RESET pin level to High starts a warm-up period. Upon completion of the warm-up period, the CPU and peripheral circuits start operating (Figure 2-18).

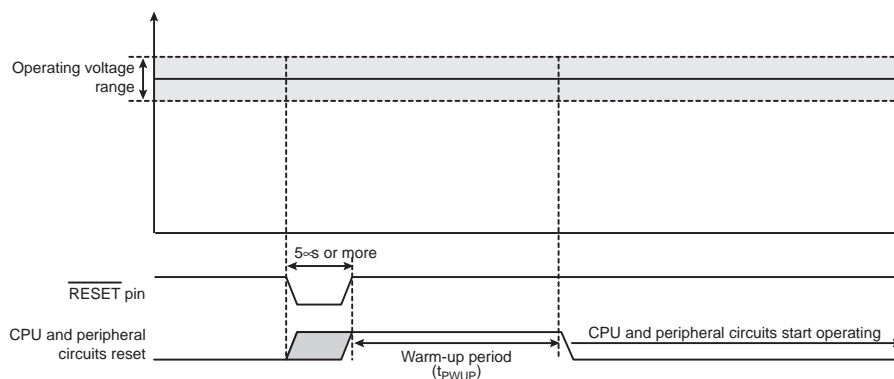


Figure 2-18 External Reset Input (When the Power Supply Is Stable)

2.4.4.3 Voltage detection reset

The voltage detection reset is an internal factor reset that occurs when it is detected that the supply voltage has reached a predetermined detection voltage.

Refer to "Voltage Detection Circuit".

2.4.4.4 Watchdog timer reset

The watchdog timer reset is an internal factor reset that occurs when an overflow of the watchdog timer is detected.

Refer to "Watchdog Timer".

2.4.4.5 System clock reset

The system clock reset is an internal factor reset that occurs when it is detected that the oscillation enable register is set to a combination that puts the CPU into deadlock.

Refer to "Clock Control Circuit".

2.4.4.6 Trimming data reset

The trimming data reset is an internal factor reset that occurs when the trimming data latched in the internal circuit is broken down during operation due to noise or other factors.

The trimming data is a data bit provided for adjustment of the ladder resistor that generates the comparison voltage for the power-on reset and the voltage detection circuits.

This bit is loaded from the non-volatile exclusive use memory during the warm-up time that follows reset release (t_{PWUP}) and latched into the internal circuit.

If the trimming data loaded from the non-volatile exclusive use memory during the warm-up operation that follows reset release is abnormal, $IRSTSR<TRMDS>$ is set to "1".

When IRSTSR<TRMDS> is read as "1" in the initialize routine immediately after reset release, the trimming data need to be reloaded by generating an internal factor reset, such as a system clock reset, and activating the warm-up operation again.

If IRSTSR<TRMDS> is still set to "1" after repeated reading, the detection voltage of the voltage detection circuit and power-on reset circuit does not satisfy the characteristic specified in the electric characteristics. Design the system so that the system will not be damaged in such a case.

2.4.4.7 Voltage detection reset

The voltage detection reset is an internal factor reset that occurs when it is detected that the supply voltage has reached a predetermined detection voltage.

Refer to "Voltage Detection Circuit".

2.4.4.8 Flash standby reset

The flash standby reset is an internal factor reset generated by the reading or writing of data of the flash memory while it is on standby.

Refer to "Flash Memory".

2.4.4.9 Internal factor reset detection status register

By reading the internal factor reset detection status register IRSTSR after the release of an internal factor reset, except the power-on reset, the factor which causes a reset can be detected.

The internal factor reset detection status register is initialized by an external reset input or power-on reset.

Set IRSTSR<FCLR> to "1" and write 0x71 to SYSCR4. This enables IRSTSR<FCLR> and the internal factor reset detection status register is clear to "0". IRSTSR<FCLR> is cleared to "0" automatically after initializing the internal factor reset detection status register.

Note 1: Care must be taken in system designing since the IRSTSR may not fulfill its functions due to disturbing noise and other effects.

Note 2: After IRSTSR<FCLR> is modified, SYSCR4 should be written 0x71 (Enable code for IRSTSR<FCLR> in NORMAL mode when fcgck is fc/4 (CGCR<FCGCKSEL>=00). Otherwise, IRSTSR<FCLR> may be enabled at unexpected timing.

3. Interrupt Control Circuit

The TMP89FM82 has a total of 33 interrupt sources excluding reset. Interrupts can be nested with priorities. Three of the internal interrupt sources are non-maskable while the rest are maskable.

Interrupt sources are provided with interrupt latches (IL), which hold interrupt requests, and have independent vector addresses. When a request for an interrupt is generated, its interrupt latch is set to "1", which requests the CPU to accept the interrupt. Acceptance of interrupts is enabled or disabled by software using the interrupt master enable flag (IMF) and individual enable flag (EF) for each interrupt source. If multiple maskable interrupts are generated simultaneously, the interrupts are accepted in order of descending priority. The priorities are determined by the interrupt priority change control register (ILPRS1-ILPRS8) as Levels and determined by the hardware as the basic priorities.

However, there are no prioritized interrupt sources among non-maskable interrupts.

Interrupt sources		Enable condition	Interrupt latch	Vector Address (MCU mode)		Basic priority
				RVCTR=0 enabled	RVCTR=1 enabled	
Internal/External	(Reset)	Non-maskable	-	0xFFFE	-	1
Internal	INTSWI	Non-maskable	-	0xFFFC	0x01FC	2
Internal	INTUNDEF	Non-maskable	-	0xFFFC	0x01FC	2
Internal	INTWDT	Non-maskable	ILL<IL3>	0xFFF8	0x01F8	2
Internal	INTWUC	IMF AND EIRL<EF4> = 1	ILL<IL4>	0xFFF6	0x01F6	5
Internal	INTTBT	IMF AND EIRL<EF5> = 1	ILL<IL5>	0xFFF4	0x01F4	6
Internal	INTRXD0 / INTSIO0	IMF AND EIRL<EF6> = 1	ILL<IL6>	0xFFF2	0x01F2	7
Internal	INTTXD0	IMF AND EIRL<EF7> = 1	ILL<IL7>	0xFFF0	0x01F0	8
External	INT5	IMF AND EIRH<EF8> = 1	ILH<IL8>	0xFFEE	0x01EE	9
Internal	INTVLTD	IMF AND EIRH<EF9> = 1	ILH<IL9>	0xFFEC	0x01EC	10
Internal	INTADC	IMF AND EIRH<EF10> = 1	ILH<IL10>	0xFFEA	0x01EA	11
-	-	-	-	-	-	-
Internal	INTTC00	IMF AND EIRH<EF12> = 1	ILH<IL12>	0xFFE6	0x01E6	13
Internal	INTTC01	IMF AND EIRH<EF13> = 1	ILH<IL13>	0xFFE4	0x01E4	14
Internal	INTTCA0	IMF AND EIRH<EF14> = 1	ILH<IL14>	0xFFE2	0x01E2	15
-	-	-	-	-	-	-
External	INT0	IMF AND EIRE<EF16> = 1	ILE<IL16>	0xFFDE	0x01DE	17
External	INT1	IMF AND EIRE<EF17> = 1	ILE<IL17>	0xFFDC	0x01DC	18
External	INT2	IMF AND EIRE<EF18> = 1	ILE<IL18>	0xFFDA	0x01DA	19
External	INT3	IMF AND EIRE<EF19> = 1	ILE<IL19>	0xFFD8	0x01D8	20
External	INT4	IMF AND EIRE<EF20> = 1	ILE<IL20>	0xFFD6	0x01D6	21
Internal	INTTCA1	IMF AND EIRE<EF21> = 1	ILE<IL21>	0xFFD4	0x01D4	22
Internal	INTRXD1	IMF AND EIRE<EF22> = 1	ILE<IL22>	0xFFD2	0x01D2	23
Internal	INTTXD1	IMF AND EIRE<EF23> = 1	ILE<IL23>	0xFFD0	0x01D0	24
Internal	INTTC02	IMF AND EIRD<EF24> = 1	ILD<IL24>	0xFFCE	0x01CE	25
Internal	INTTC03	IMF AND EIRD<EF25> = 1	ILD<IL25>	0xFFCC	0x01CC	26
Internal	INTEMG	IMF AND EIRD<EF26> = 1	ILD<IL26>	0xFFCA	0x01CA	27
Internal	INTCLM	IMF AND EIRD<EF27> = 1	ILD<IL27>	0xFFC8	0x01C8	28
Internal	INTTMR3	IMF AND EIRD<EF28> = 1	ILD<IL28>	0xFFC6	0x01C6	29
Internal	INTPDC	IMF AND EIRD<EF29> = 1	ILD<IL29>	0xFFC4	0x01C4	30
Internal	INTPWM	IMF AND EIRD<EF30> = 1	ILD<IL30>	0xFFC2	0x01C2	31
Internal	INTEDT	IMF AND EIRD<EF31> = 1	ILD<IL31>	0xFFC0	0x01C0	32
Internal	INTTMR1	IMF AND EIRC<EF32> = 1	ILC<IL32>	0xFF9E	0x019E	33
Internal	INTTMR2	IMF AND EIRC<EF33> = 1	ILC<IL33>	0xFF9C	0x019C	34
Internal	INTSEI0	IMF AND EIRC<EF34> = 1	ILC<IL34>	0xFF9A	0x019A	35

Interrupt sources		Enable condition	Interrupt latch	Vector Address (MCU mode)		Basic priority
				RVCTR=0 enabled	RVCTR=1 enabled	
-	INTSEI1	IMF AND EIRC<EF35> = 1	ILC<IL35>	0xFF98	0x0198	36

Note 1: To use the watchdog timer interrupt (INTWDT), clear WDCTR<WDTOUT> to "0" (It is set for the "Reset request" after reset is released). For details, see "Watchdog Timer".

Note 2: Vector address areas can be changed by the SYSCR3<RVCTR> setting. To assign vector address areas to RAM, set SYSCR3<RVCTR> to "1" and SYSCR3<RAREA> to "1".

Note 3: 0xFFFFA and 0xFFFFB function not as interrupt vectors but as option codes in the serial PROM mode. For details, see "Serial PROM Mode".

Note 4: Do not set SYSCR3<RVCTR> to "0" in the serial PROM mode. If an interrupt is generated with SYSCR3<RVCTR>="0", the software refers to the vector area in the BOOTROM and the user cannot use it.

3.1 Configuration

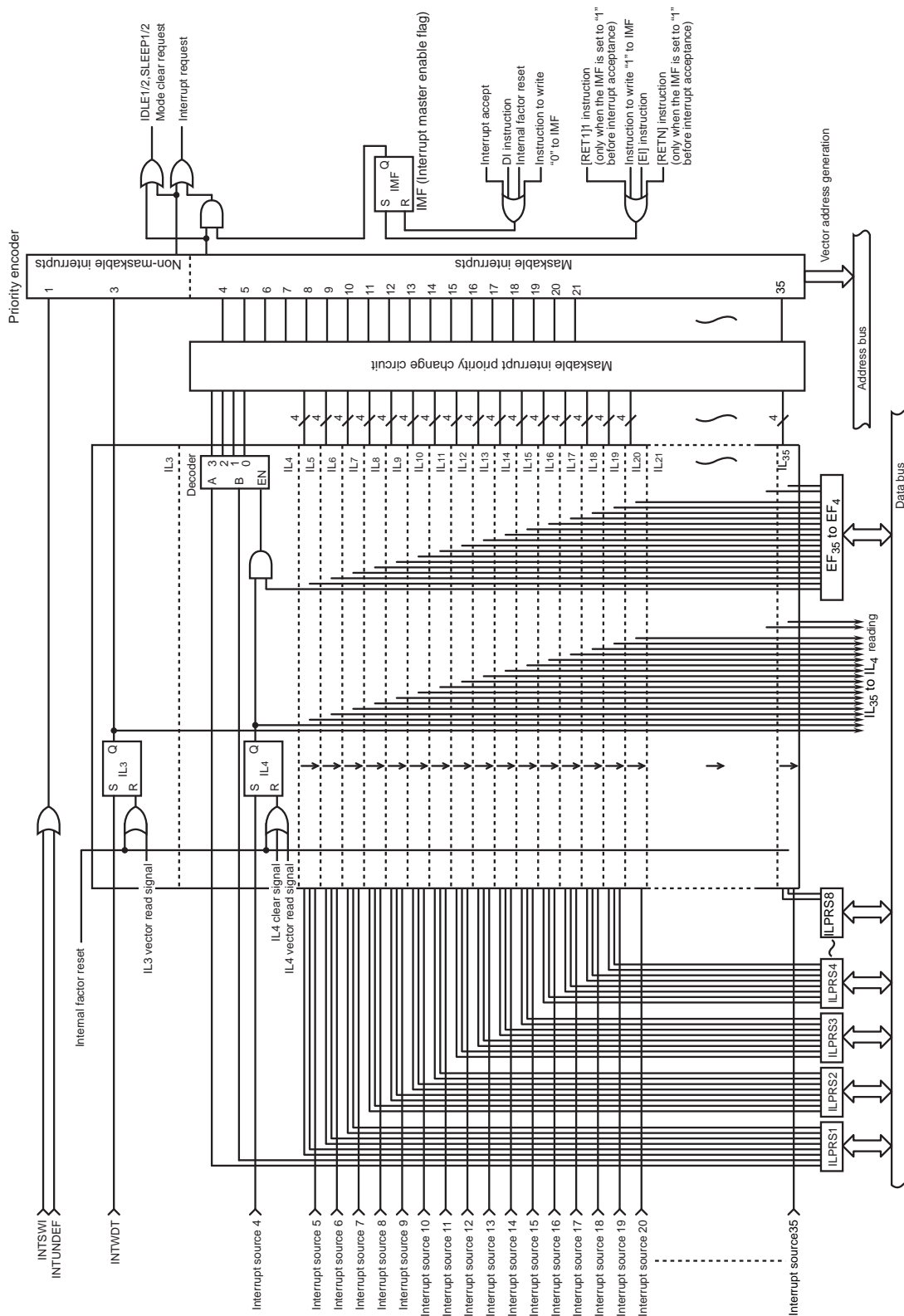


Figure 3-1 Interrupt Control Circuit

3.2 Interrupt Latches (IL35 to IL3)

An interrupt latch is provided for each interrupt source, except for a software interrupt and an undefined instruction execution interrupt. When an interrupt request is generated, the latch is set to "1", and the CPU is requested to accept the interrupt if its acceptance is enabled. The interrupt latch is cleared to "0" immediately after the interrupt is accepted. All interrupt latches are initialized to "0" during reset.

The interrupt latches are located at addresses 0x0FE0, 0x0FE1, 0x0FE2, 0x0FE3, 0x0FE4 in SFR area. Each latch can be cleared to "0" individually by an instruction. However, IL2 and IL3 interrupt latches cannot be cleared by instructions.

Do not use any read-modify-write instruction, such as a bit manipulation or operation instruction, because it may clear interrupt requests generated while the instruction is executed.

Interrupt latches cannot be set to "1" by using an instruction. Writing "1" to an interrupt latch is equivalent to denying clearing of the interrupt latch, and not setting the interrupt latch.

Since interrupt latches can be read by instructions, the status of interrupt requests can be monitored by software.

Note: In the main program, before manipulating an interrupt latch (IL), be sure to clear the master enable flag (IMF) to "0" (Disable interrupt by DI instruction). Then set the IMF to "1" as required after operating the IL (Enable interrupt by EI instruction).

In the interrupt service routine, the IMF becomes "0" automatically and need not be cleared to "0" normally. However, if using multiple interrupt in the interrupt service routine, manipulate the IL before setting the IMF to "1".

Example 1: Clears interrupt latches

```
DI                ;IMF ← 0
LD    (ILL), 0y00111111    ;IL7 to IL6 ← 0
LD    (ILH), 0y11101000    ;IL12, IL10 to IL8 ← 0
EI                ;IMF ← 1
```

Example 2: Reads interrupt latches

```
LD    WA, (ILL)           ;W ← ILH, A ← ILL
```

Example 3: Tests interrupt latches

```
TEST   (ILL), 7           ;if IL7=1 then jump
JR     F, SSET            ;
```

3.3 Interrupt Enable Register (EIR)

The interrupt enable register (EIR) enables and disables the acceptance of interrupts, except for the non-maskable interrupts (software interrupt, undefined instruction interrupt and watchdog interrupt). Non-maskable interrupts are accepted regardless of the contents of the EIR.

The EIR consists of the interrupt master enable flag (IMF) and the individual interrupt enable flags (EF). These registers are located at addresses 0x003A, 0x003B, 0x003C, 0x003D, 0x003E in the SFR area, and they can be read and written by instructions (including read-modify-write instructions such as bit manipulation or operation instructions).

3.3.1 Interrupt master enable flag (IMF)

The interrupt master enable flag (IMF) enables and disables the acceptance of all maskable interrupts. Clearing the IMF to "0" disables the acceptance of all maskable interrupts. Setting the IMF to "1" enables the acceptance of the interrupts that are specified by the individual interrupt enable flags.

When an interrupt is accepted, the IMF is stacked and then cleared to "0", which temporarily disables the subsequent maskable interrupts. After the interrupt service routine is executed, the stacked data, which was the status before interrupt acceptance, reloaded on the IMF by return interrupt instruction [RETI]/[RETN].

The IMF is located on bit 0 in EIRL (Address: 0x03A in SFR), and can be read and written by instructions. The IMF is normally set and cleared by [EI] and [DI] instructions respectively. During reset, the IMF is initialized to "0".

3.3.2 Individual interrupt enable flags (EF35 to EF4)

Each of these flags enables and disables the acceptance of its maskable interrupt. Setting the corresponding bit of an individual interrupt enable flag to "1" enables acceptance of its interrupt, and setting the bit to "0" disables acceptance.

During reset, all the individual interrupt enable flags are initialized to "0" and no maskable interrupts are accepted until the flags are set to "1".

Note: In the main program, before manipulating the interrupt enable flag (EF), be sure to clear the master enable flag (IMF) to "0" (Disable interrupt by DI instruction). Then set the IMF to "1" as required after operating the EF (Enable interrupt by EI instruction).

In the interrupt service routine, the IMF becomes "0" automatically and need not be cleared to "0" normally. However, if using multiple interrupt in the interrupt service routine, manipulate the EF before setting the IMF to "1".

Example: Enables interrupts individually and sets IMF

```

DI                                     ;IMF ← 0
LDW  (EIRL), 0y1110100010100000      ;EF15 to EF13, EF11, EF7, EF5 ← 1
:                                       ;Note: IMF should not be set.
:
EI                                     ;IMF ← 1

```

Interrupt latch (ILL)

ILL (0x0FE0)		7	6	5	4	3	2	1	0
Bit Symbol	IL7	IL6	IL5	IL4	IL3	-	-	-	
Read/Write	R/W	R/W	R/W	R/W	R	R	R	R	
After reset	0	0	0	0	0	0	0	0	
Function	INTTXD0	INTRXD0 / INTSIO0	INTTBT	INTWUC	INTWDT				

Interrupt latch (ILH)

ILH (0x0FE1)		7	6	5	4	3	2	1	0
Bit Symbol	-	IL14	IL13	IL12	-	IL10	IL9	IL8	
Read/Write	R	R/W	R/W	R/W	R	R/W	R/W	R/W	
After reset	0	0	0	0	0	0	0	0	
Function		INTTCA0	INTTC01	INTTC00		INTADC	INTVLTD	INT5	

Interrupt latch (ILE)

ILE (0x0FE2)		7	6	5	4	3	2	1	0
Bit Symbol	IL23	IL22	IL21	IL20	IL19	IL18	IL17	IL16	
Read/Write	R/W	R/W	R/W	R/W	R/W	R/W	R/W	R/W	
After reset	0	0	0	0	0	0	0	0	
Function	INTTXD1	INTRXD1	INTTCA1	INT4	INT3	INT2	INT1	INT0	

Interrupt latch (ILD)

ILD (0x0FE3)		7	6	5	4	3	2	1	0
Bit Symbol	IL31	IL30	IL29	IL28	IL27	IL26	IL25	IL24	
Read/Write	R/W	R/W	R/W	R/W	R/W	R/W	R/W	R/W	
After reset	0	0	0	0	0	0	0	0	
Function	INTEDT	INTPWM	INTPDC	INTTMR3	INTCLM	INTEMG	INTTC03	INTTC02	

Interrupt latch (ILC)

ILC (0x0FE4)		7	6	5	4	3	2	1	0
Bit Symbol	-	-	-	-	IL35	IL34	IL33	IL32	
Read/Write	R	R	R	R	R/W	R/W	R/W	R/W	
After reset	0	0	0	0	0	0	0	0	
Function					INTSE1	INTSE0	INTTMR2	INTTMR1	

IL35 to IL4	Interrupt latch	Read		Write	
		0:	No interrupt request	Clears the interrupt request (Notes 2 and 3)	
IL3	Interrupt latch	1:	Interrupt request	Does not clear the interrupt request (Interrupt is not set by writing "1".)	
		0:	No interrupt request		
		1:	Interrupt request		

Note 1: IL3 is a read-only register. Writing the register does not affect interrupt latch.

Note 2: In the main program, before manipulating an interrupt latch (IL), be sure to clear the interrupt master enable flag (IMF) to "0" (Disable interrupt by DI instruction). Then set the IMF to "1" as required after operating the IL (Enable interrupt by EI instruction).

In the interrupt service routine, the IMF becomes "0" automatically and need not be cleared to "0" normally. However, if using multiple interrupt in the interrupt service routine, manipulate the IL before setting the IMF to "1".

Note 3: Do not clear IL with read-modify-write instructions such as bit operations.

Note 4: When a read instruction is executed on ILL, bits 0 to 2 are read as "0". Other unused bits are read as "0".



Interrupt enable register (EIRL)

EIRL (0x003A)	7	6	5	4	3	2	1	0
Bit Symbol	EF7	EF6	EF5	EF4	-	-	-	IMF
Read/Write	R/W	R/W	R/W	R/W	R	R	R	R/W
After reset	0	0	0	0	0	0	0	0
Function	INTTXD0	INTRXD0 / INTSIO0	INTTBT	INTWUC				Interrupt master enable flag

Interrupt enable register (EIRH)

EIRH (0x003B)	7	6	5	4	3	2	1	0
Bit Symbol	-	EF14	EF13	EF12	-	EF10	EF9	EF8
Read/Write	R/W	R/W	R/W	R/W	R/W	R/W	R/W	R/W
After reset	0	0	0	0	0	0	0	0
Function		INTTCA0	INTTC01	INTTC00		INTADC	INTVLTD	INT5

Interrupt enable register (EIRE)

EIRE (0x003C)	7	6	5	4	3	2	1	0
Bit Symbol	EF23	EF22	EF21	EF20	EF19	EF18	EF17	EF16
Read/Write	R/W	R/W	R/W	R/W	R/W	R/W	R/W	R/W
After reset	0	0	0	0	0	0	0	0
Function	INTTXD1	INTRXD1	INTTCA1	INT4	INT3	INT2	INT1	INT0

Interrupt enable register (EIRD)

EIRD (0x003D)	7	6	5	4	3	2	1	0
Bit Symbol	EF31	EF30	EF29	EF28	EF27	EF26	EF25	EF24
Read/Write	R/W	R/W	R/W	R/W	R/W	R/W	R/W	R/W
After reset	0	0	0	0	0	0	0	0
Function	INTEDT	INTPWM	INTPDC	INTTMR3	INTCLM	INTEMG	INTTC03	INTTC02

Interrupt enable register (EIRC)

EIRC (0x003E)	7	6	5	4	3	2	1	0
Bit Symbol	-	-	-	-	EF35	EF34	EF33	EF32
Read/Write	R	R	R	R	R/W	R/W	R/W	R/W
After reset	0	0	0	0	0	0	0	0
Function					INTSE11	INTSE10	INTTMR2	INTTMR1

EF35 to EF4	Individual interrupt enable flag (Specified for each bit)	0:	Disables the acceptance of each maskable interrupt.
		1:	Enables the acceptance of each maskable interrupt.
IMF	Interrupt master enable flag	0:	Disables the acceptance of all maskable interrupts.
		1:	Enables the acceptance of all maskable interrupts.

Note 1: Do not set the IMF and the interrupt enable flag (EF15 to EF4) to "1" at the same time.

Note 2: In the main program, before manipulating the interrupt enable flag (EF), be sure to clear the master enable flag (IMF) to "0" (Disable interrupt by DI instruction). Then set the IMF to "1" as required after operating the EF (Enable interrupt by EI instruction)

In the interrupt service routine, the IMF becomes "0" automatically and need not be cleared to "0" normally. However, if using multiple interrupt in the interrupt service routine, manipulate the EF before setting the IMF to "1".

Note 3: When a read instruction is executed on EIRL, bits 3 to 1 are read as "0". Other unused bits are read as "0".

3.4 Maskable Interrupt Priority Change Function

The priority of maskable interrupts (IL4 to IL35) can be changed to four levels, Levels 0 to 3, regardless of the basic priorities 5 to 36. Interrupt priorities can be changed by the interrupt priority change control register (ILPRS1 to ILPRS8). To raise the interrupt priority, set the Level to a larger number. To lower the interrupt priority, set the Level to a smaller number. When different maskable interrupts are generated simultaneously at the same level, the interrupt with higher basic priority is processed preferentially. For example, when the ILPRS1 register is set to 0xC0 and interrupts IL4 and IL7 are generated at the same time, IL7 is preferentially processed (provided that EF4 and EF7 have been enabled).

After reset is released, all maskable interrupts are set to priority level 0 (the lowest priority).

Note: In the main program, before manipulating the interrupt priority change control register (ILPRS1 to 8), be sure to clear the master enable flag (IMF) to "0" (Disable interrupt by DI instruction).

Set the IMF to "1" as required after operating ILPRS1 to 8 (Enable interrupt by EI instruction).

In the interrupt service routine, the IMF becomes "0" automatically and need not be cleared to "0" normally. However, if using multiple interrupt in the interrupt service routine, manipulate ILPRS1 to 8 before setting the IMF to "1".

Interrupt priority change control register 1

ILPRS1 (0x0FF0)		7	6	5	4	3	2	1	0
Bit Symbol		IL07P		IL06P		IL05P		IL04P	
Read/Write		R/W		R/W		R/W		R/W	
After reset		0	0	0	0	0	0	0	0

IL07P	Sets the interrupt priority of IL7.	00:	Level 0 (lower priority)
IL06P	Sets the interrupt priority of IL6.	01:	Level 1
IL05P	Sets the interrupt priority of IL5.	10:	Level 2
IL04P	Sets the interrupt priority of IL4.	11:	Level 3 (higher priority)

Interrupt priority change control register 2

ILPRS2 (0x0FF1)		7	6	5	4	3	2	1	0
Bit Symbol		IL11P		IL10P		IL09P		IL08P	
Read/Write		R/W		R/W		R/W		R/W	
After reset		0	0	0	0	0	0	0	0

IL11P	Sets the interrupt priority of IL11.	00:	Level 0 (lower priority)
IL10P	Sets the interrupt priority of IL10.	01:	Level 1
IL09P	Sets the interrupt priority of IL9.	10:	Level 2
IL08P	Sets the interrupt priority of IL8.	11:	Level 3 (higher priority)

Interrupt priority change control register 3

ILPRS3 (0x0FF2)		7	6	5	4	3	2	1	0
Bit Symbol		IL15P		IL14P		IL13P		IL12P	
Read/Write		R/W		R/W		R/W		R/W	
After reset		0	0	0	0	0	0	0	0

IL15P	Sets the interrupt priority of IL15.	00:	Level 0 (lower priority)
IL14P	Sets the interrupt priority of IL14.	01:	Level 1
IL13P	Sets the interrupt priority of IL13.	10:	Level 2
IL12P	Sets the interrupt priority of IL12.	11:	Level 3 (higher priority)

Interrupt priority change control register 4

ILPRS4 (0x0FF3)	7	6	5	4	3	2	1	0
Bit Symbol	IL19P		IL18P		IL17P		IL16P	
Read/Write	R/W		R/W		R/W		R/W	
After reset	0	0	0	0	0	0	0	0

IL19P	Sets the interrupt priority of IL19.	00:	Level 0 (lower priority)
IL18P	Sets the interrupt priority of IL18.	01:	Level 1
IL17P	Sets the interrupt priority of IL17.	10:	Level 2
IL16P	Sets the interrupt priority of IL16.	11:	Level 3 (higher priority)

Interrupt priority change control register 5

ILPRS5 (0x0FF4)	7	6	5	4	3	2	1	0
Bit Symbol	IL23P		IL22P		IL21P		IL20P	
Read/Write	R/W		R/W		R/W		R/W	
After reset	0	0	0	0	0	0	0	0

IL23P	Sets the interrupt priority of IL23.	00:	Level 0 (lower priority)
IL22P	Sets the interrupt priority of IL22.	01:	Level 1
IL21P	Sets the interrupt priority of IL21.	10:	Level 2
IL20P	Sets the interrupt priority of IL20.	11:	Level 3 (higher priority)

Interrupt priority change control register 6

ILPRS6 (0x0FF5)	7	6	5	4	3	2	1	0
Bit Symbol	IL27P		IL26P		IL25P		IL24P	
Read/Write	R/W		R/W		R/W		R/W	
After reset	0	0	0	0	0	0	0	0

IL27P	Sets the interrupt priority of IL27.	00:	Level 0 (lower priority)
IL26P	Sets the interrupt priority of IL26.	01:	Level 1
IL25P	Sets the interrupt priority of IL25.	10:	Level 2
IL24P	Sets the interrupt priority of IL24.	11:	Level 3 (higher priority)

Interrupt priority change control register 7

ILPRS7 (0x0FF6)	7	6	5	4	3	2	1	0
Bit Symbol	IL31P		IL30P		IL29P		IL28P	
Read/Write	R/W		R/W		R/W		R/W	
After reset	0	0	0	0	0	0	0	0

IL31P	Sets the interrupt priority of IL31.	00:	Level 0 (lower priority)
IL30P	Sets the interrupt priority of IL30.	01:	Level 1
IL29P	Sets the interrupt priority of IL29.	10:	Level 2
IL28P	Sets the interrupt priority of IL28.	11:	Level 3 (higher priority)

Interrupt priority change control register 8

ILPRS8		7	6	5	4	3	2	1	0
(0x0FF7)	Bit Symbol	IL35P		IL34P		IL33P		IL32P	
	Read/Write	R/W		R/W		R/W		R/W	
	After reset	0	0	0	0	0	0	0	0

IL35P	Sets the interrupt priority of IL35.	00:	Level 0 (lower priority)
IL34P	Sets the interrupt priority of IL34.	01:	Level 1
IL33P	Sets the interrupt priority of IL33.	10:	Level 2
IL32P	Sets the interrupt priority of IL32.	11:	Level 3 (higher priority)



3.5 Interrupt Sequence

An interrupt request, which raised interrupt latch, is held, until interrupt is accepted or interrupt latch is cleared to “0” by resetting or an instruction. Interrupt acceptance sequence requires 8-machine cycles after the completion of the current instruction. The interrupt service task terminates upon execution of an interrupt return instruction [RETI] (for maskable interrupts) or [RETN] (for non-maskable interrupts).

3.5.1 Initial Setting

Using an interrupt requires specifying an SP (stack pointer) for it in advance. The SP is a 16-bit register pointing at the start address of a stack. The SP is post-decremented when a subroutine call or a push instruction is executed or when an interrupt request is accepted. It is pre-incremented when a return or pop instruction is executed. Therefore, the stack becomes deeper toward lower stack location addresses. Be sure to reserve a stack area having an appropriate size based on the SP setting.

The SP is initialized to 00FFH after a reset. If you need to change the SP, do so right after a reset or when the interrupt master enable flag (IMF) is “0”.

Example :SP setting

```
LD      SP, 023FH    ; SP = 023FH
LD      SP, SP+04H  ; SP = SP + 04H
ADD     SP, 0010H   ; SP = SP + 0010H
```

3.5.2 Interrupt acceptance processing

Interrupt acceptance processing is packaged as follows.

1. The interrupt master enable flag (IMF) is cleared to “0” in order to disable the acceptance of any following interrupt.
2. The interrupt latch (IL) for the interrupt source accepted is cleared to “0”.
3. The contents of the program counter (PC) and the program status word, including the interrupt master enable flag (IMF), are saved (Pushed) on the stack in sequence of PSW + IMF, PCH, PCL. Meanwhile, the stack pointer (SP) is decremented by 3.
4. The entry address (Interrupt vector) of the corresponding interrupt service program, loaded on the vector table, is transferred to the program counter.
5. The instruction stored at the entry address of the interrupt service program is executed.

Note: When the contents of PSW are saved on the stack, the contents of register bank and IMF are also saved.

Example: Correspondence between vector table address for INTTBT and the entry address of the interrupt service program

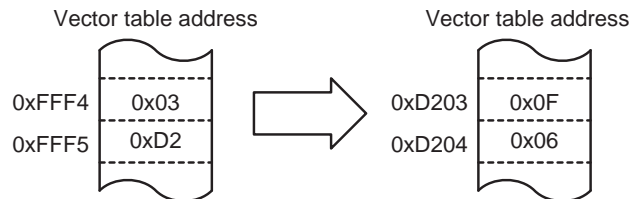


Figure 3-2 Vector table address and Entry address

A maskable interrupt is not accepted until the IMF is set to “1” even if the maskable interrupt is requested in the interrupt service routine.

In order to utilize nested interrupt service, the IMF must be set to “1” in the interrupt service program. In this case, acceptable interrupt sources are selectively enabled by the individual interrupt enable flags.

To avoid overloaded nesting, clear the individual interrupt enable flag whose interrupt is currently serviced, before setting IMF to “1”. As for non-maskable interrupt, keep interrupt service shorter compared with length between interrupt requests.

3.5.3 Saving/restoring general-purpose registers

During interrupt acceptance processing, the program counter (PC) and the program status word (PSW, includes IMF) are automatically saved on the stack, but the general purpose registers are not. These registers must be saved by software if necessary. When multiple interrupt services are nested, it is also necessary to avoid using the same data memory area for saving registers. The following methods are used to save/restore the general-purpose registers.

3.5.3.1 Using PUSH and POP instructions

To save only a specific register, PUSH and POP instructions are available.

Example :Using PUSH and POP instructions

```

PINTxx    PUSH    WA    ; Save WA register
           Interrupt processing
           POP     WA    ; Restore WA register
           RETI   ; RETURN
    
```

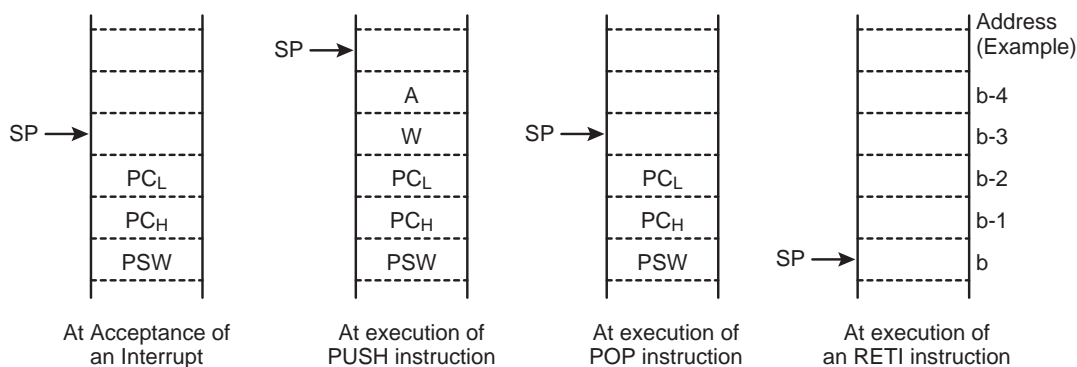


Figure 3-3 Saving/restoring general-purpose registers

3.5.3.2 Using data transfer instructions

To save only a specific register without nested interrupts, data transfer instructions are available.

Example :Save/store register using data transfer instructions

```
PINTxx:  LD      (GSAVA), A      ; Save A register
          Interrupt processing
          LD      A, (GSAVA)    ; Restore A register
          RETI                   ; RETURN
```

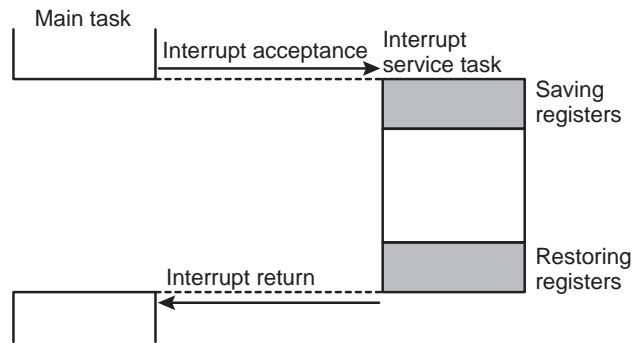


Figure 3-4 Saving/Restoring General-purpose Registers under Interrupt Processing

3.5.3.3 Using a register bank to save/restore general-purpose registers

In non-multiple interrupt handling, the register bank function can be used to save/restore the general-purpose registers at a time. The register bank function saves (switches) the general-purpose registers by executing a register bank manipulation instruction (such as LD RBS,1) at the beginning of an interrupt service task. It is unnecessary to re-execute the register bank manipulation instruction at the end of the interrupt service task because executing the RETI instruction makes a return automatically to the register bank that was being used by the main task according to the content of the PSW.

Note: Two register banks (BANK0 and BANK1) are available. Each bank consists of 8-bit general-purpose registers (W, A, B, C, D, E, H, and L) and 16-bit general-purpose registers (IX and IY).

Example :Saving/restoring registers, using an instruction for transfer with data memory (with the main task using the register bank BANK0)

```
PINTxx:  LD      RBS, 1          ; Switches to the register bank BANK1
          Interrupt processing
          RETI                   ; RETURN
          (Makes a return automatically to BANK0 that
           was being used by the main task when the
           PSW is restored)
```

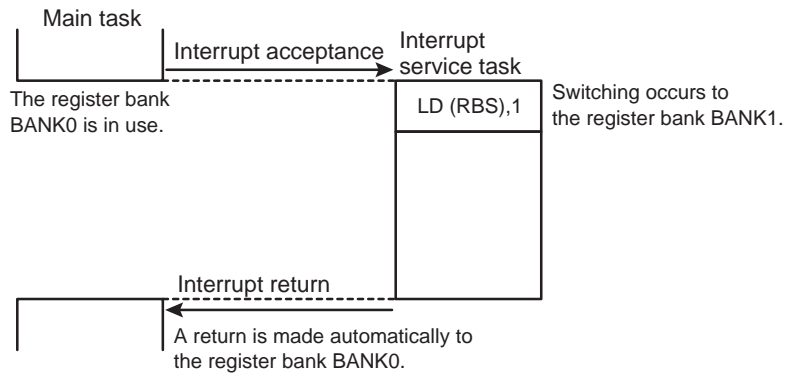


Figure 3-5 Saving/Restoring General-purpose Registers under Interrupt Processing

3.5.4 Interrupt return

Interrupt return instructions [RETI]/[RETN] perform as follows.

[RETI]/[RETN] Interrupt Return
1. Program counter (PC) and program status word (register bank) are restored from the stack.
2. Stack pointer (SP) is incremented by 3.

3.6 Software Interrupt (INTSW)

Executing the SWI instruction generates a software interrupt and immediately starts interrupt processing (INTSW is the top-priority interrupt).

Use the SWI instruction only for address error detection or for debugging described below.

3.6.1 Address error detection

0xFF is read if for some cause such as noise the CPU attempts to fetch an instruction from a non-existent memory address. Code 0xFF is an SWI instruction, so a software interrupt is generated and an address error is detected. The address error detection range can be further expanded by writing 0xFF to unused areas in the program memory.

3.6.2 Debugging

Debugging efficiency can be increased by placing the SWI instruction at the software break point setting address.

3.7 Undefined Instruction Interrupt (INTUNDEF)

When the CPU tries to fetch and execute an instruction that is not defined, INTUNDEF is generated and starts the interrupt processing. INTUNDEF is accepted even if another non-maskable interrupt is in process. The current process is discontinued and the INTUNDEF interrupt process starts soon after it is requested.

Note: The undefined instruction interrupt (INTUNDEF) forces the CPU to jump into the interrupt vector address, as software interrupt (SWI) does.

4. External Interrupt control circuit

External interrupts detects the change of the input signal and generates an interrupt request. Noise can be removed by the built-in digital noise canceller.

4.1 Configuration

The external interrupt control circuit consists of a noise canceller, an edge detection circuit, a level detection circuit and an interrupt signal generation circuit.

Externally input signals are input to the rising edge or falling edge or level detection circuit for each external interrupt, after noise is removed by the noise canceller.

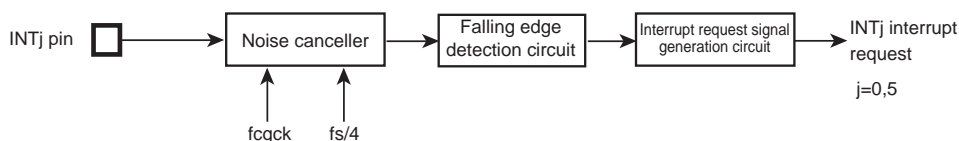


Figure 4-1 External Interrupts 0/5

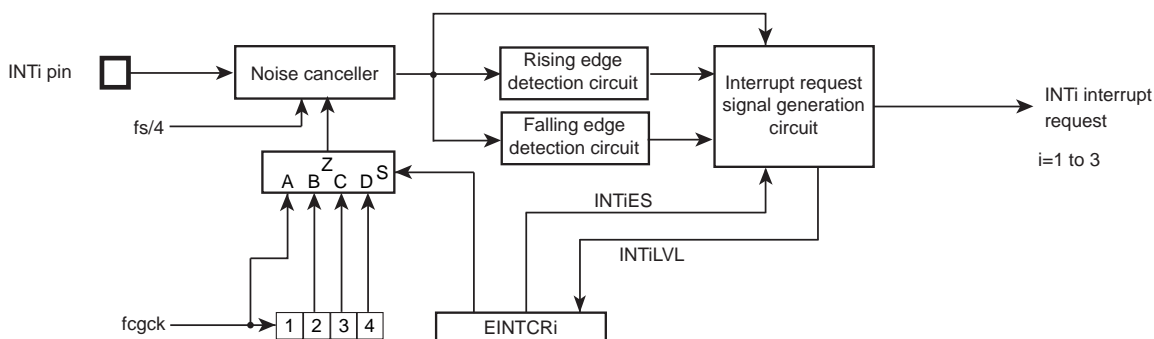


Figure 4-2 External Interrupts 1/2/3

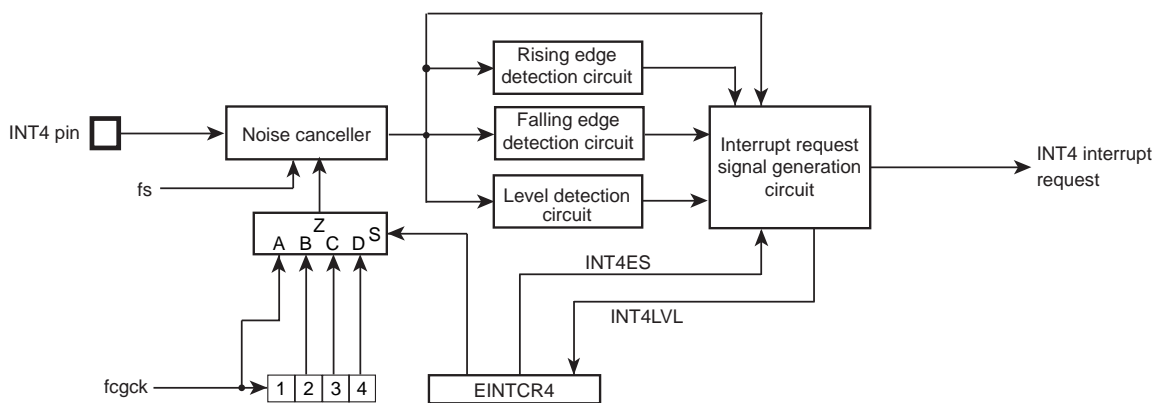


Figure 4-3 External Interrupt 4

4.2 Control

External interrupts are controlled by the following registers:

Low power consumption register 3

POFFCR3 (0x0F77)	7	6	5	4	3	2	1	0
Bit Symbol	-	-	INT5EN	INT4EN	INT3EN	INT2EN	INT1EN	INT0EN
Read/Write	R/W	R/W	R/W	R/W	R/W	R/W	R/W	R/W
After reset	0	0	0	0	0	0	0	0

INT5EN	INT5 control	0	Disable
		1	Enable
INT4EN	INT4 control	0	Disable
		1	Enable
INT3EN	INT3 control	0	Disable
		1	Enable
INT2EN	INT2 control	0	Disable
		1	Enable
INT1EN	INT1 control	0	Disable
		1	Enable
INT0EN	INT0 control	0	Disable
		1	Enable

Note 1: Clearing INTxEN(x=0 to 5) to "0" stops the clock supply to the external interrupts. This invalidates the data written in the control register for each external interrupt. When using the external interrupts, set INTxEN to "1" and then write data into the control register for each external interrupt.

Note 2: Interrupt request signals may be generated when INTxEN is changed. Before changing INTxEN, clear the corresponding interrupt enable register to "0" to disable the generation of interrupt. When the operation mode is changed from NORMAL1/2 or IDLE1/2 to SLOW1/2 or SLEEP1, wait 12/fs [s] after the operation mode is changed and clear the interrupt latch. And when the operation mode is changed from SLOW1/2 or SLEEP1 to NORMAL1/2 or IDLE1/2, wait 2/fcgck+3/fspl [s] after the operation mode is changed and clear the interrupt latch.

Note 3: Bits 7 and 6 of POFFSET3 are read as "0".

External interrupt control register 1

EINTCR1 (0x0FD8)	7	6	5	4	3	2	1	0
Bit Symbol	-	-	-	INT1LVL	INT1ES	INT1NC		
Read/Write	R	R	R	R	R/W	R/W		
After reset	0	0	0	0	0	0		

INT1LVL	Noise canceller pass signal level when the interrupt request signal is generated for external interrupt 1	0 :	Initial state or signal level "L"
		1 :	Signal level "H"
INT1ES	Selects the interrupt request generating condition for external interrupt 1	00 :	An interrupt request is generated at the rising edge of the noise canceller pass signal
		01 :	An interrupt request is generated at the falling edge of the noise canceller pass signal
		10 :	An interrupt request is generated at both edges of the noise canceller pass signal
		11 :	Reserved
INT1NC	Sets the noise canceller sampling interval for external interrupt 1		
			NORMAL1/2, IDLE1/2
		00 :	fcgck [Hz]
		01 :	fcgck / 2 ² [Hz]
		10 :	fcgck / 2 ³ [Hz]
		11 :	fcgck / 2 ⁴ [Hz]
			SLOW1/2, SLEEP1
		00 :	fs/4 [Hz]
		01 :	fs/4 [Hz]
		10 :	fs/4 [Hz]
		11 :	fs/4 [Hz]

Note 1: fcgck: Gear clock [Hz], fs: Low-frequency clock [Hz]

Note 2: Interrupt requests may be generated during transition of the operation mode. Before changing the operation mode, clear the corresponding interrupt enable register to "0" to disable the generation of interrupt. When the operation mode is changed from NORMAL1/2 or IDLE1/2 to SLOW1/2 or SLEEP1, wait 12/fs [s] after the operation mode is changed and clear the interrupt latch. And when the operation mode is changed from SLOW1/2 or SLEEP1 to NORMAL1/2 or IDLE1/2, wait 2/fcgck+3/fspl [s] after the operation mode is changed and clear the interrupt latch.

Note 3: Interrupt requests may be generated when EINTCR1 is changed. Before doing such operation, clear the corresponding interrupt enable register to "0" to disable the generation of interrupt. When the operation mode is changed from NORMAL1/2 or IDLE1/2 to SLOW1/2 or SLEEP1, wait 12/fs [s] after the operation mode is changed and clear the interrupt latch. And when the operation mode is changed from SLOW1/2 or SLEEP1 to NORMAL1/2 or IDLE1/2, wait 2/fcgck+3/fspl [s] after the operation mode is changed and clear the interrupt latch.

Note 4: Bits 7 to 5 of EINTCR1 are read as "0".

External interrupt control register 2

EINTCR1 (0x0FD9)	7	6	5	4	3	2	1	0
Bit Symbol	-	-	-	INT2LVL	INT2ES	INT2NC		
Read/Write	R	R	R	R	R/W	R/W		
After reset	0	0	0	0	0	0		

INT2LVL	Noise canceller pass signal level when the interrupt request signal is generated for external interrupt 2	0 : Initial state or signal level "L" 1 : Signal level "H"																				
INT2ES	Selects the interrupt request generating condition for external interrupt 2	00 : An interrupt request is generated at the rising edge of the noise canceller pass signal 01 : An interrupt request is generated at the falling edge of the noise canceller pass signal 10 : An interrupt request is generated at both edges of the noise canceller pass signal 11 : Reserved																				
INT2NC	Sets the noise canceller sampling interval for external interrupt 2	<table border="1"> <tr> <td></td> <td>NORMAL1/2, IDLE1/2</td> <td></td> <td>SLOW1/2, SLEEP1</td> </tr> <tr> <td>00 :</td> <td>fcgck [Hz]</td> <td>00 :</td> <td>fs/4 [Hz]</td> </tr> <tr> <td>01 :</td> <td>fcgck / 2² [Hz]</td> <td>01 :</td> <td>fs/4 [Hz]</td> </tr> <tr> <td>10 :</td> <td>fcgck / 2³ [Hz]</td> <td>10 :</td> <td>fs/4 [Hz]</td> </tr> <tr> <td>11 :</td> <td>fcgck / 2⁴ [Hz]</td> <td>11 :</td> <td>fs/4 [Hz]</td> </tr> </table>		NORMAL1/2, IDLE1/2		SLOW1/2, SLEEP1	00 :	fcgck [Hz]	00 :	fs/4 [Hz]	01 :	fcgck / 2 ² [Hz]	01 :	fs/4 [Hz]	10 :	fcgck / 2 ³ [Hz]	10 :	fs/4 [Hz]	11 :	fcgck / 2 ⁴ [Hz]	11 :	fs/4 [Hz]
	NORMAL1/2, IDLE1/2		SLOW1/2, SLEEP1																			
00 :	fcgck [Hz]	00 :	fs/4 [Hz]																			
01 :	fcgck / 2 ² [Hz]	01 :	fs/4 [Hz]																			
10 :	fcgck / 2 ³ [Hz]	10 :	fs/4 [Hz]																			
11 :	fcgck / 2 ⁴ [Hz]	11 :	fs/4 [Hz]																			

Note 1: fcgck: Gear clock [Hz], fs: Low-frequency clock [Hz]

Note 2: Interrupt requests may be generated during transition of the operation mode. Before changing the operation mode, clear the corresponding interrupt enable register to "0" to disable the generation of interrupt. When the operation mode is changed from NORMAL1/2 or IDLE1/2 to SLOW1/2 or SLEEP1, wait 12/fs [s] after the operation mode is changed and clear the interrupt latch. And when the operation mode is changed from SLOW1/2 or SLEEP1 to NORMAL1/2 or IDLE1/2, wait 2/fcgck+3/fspl [s] after the operation mode is changed and clear the interrupt latch.

Note 3: Interrupt requests may be generated when EINTCR2 is changed. Before doing such operation, clear the corresponding interrupt enable register to "0" to disable the generation of interrupt. When the operation mode is changed from NORMAL1/2 or IDLE1/2 to SLOW1/2 or SLEEP1, wait 12/fs [s] after the operation mode is changed and clear the interrupt latch. And when the operation mode is changed from SLOW1/2 or SLEEP1 to NORMAL1/2 or IDLE1/2, wait 2/fcgck+3/fspl [s] after the operation mode is changed and clear the interrupt latch.

Note 4: Bits 7 to 5 of EINTCR2 are read as "0".

External interrupt control register 3

EINTCR3 (0x0FDA)		7	6	5	4	3	2	1	0
Bit Symbol		-	-	-	INT3LVL	INT3ES	INT3NC		
Read/Write		R	R	R	R	R/W	R/W		
After reset		0	0	0	0	0	0		

INT3LVL	Noise canceller pass signal level when the interrupt request signal is generated for external interrupt 3	0 : Initial state or signal level "L" 1 : Signal level "H"	
INT3ES	Selects the interrupt request generating condition for external interrupt 3	00 : An interrupt request is generated at the rising edge of the noise canceller pass signal 01 : An interrupt request is generated at the falling edge of the noise canceller pass signal 10 : An interrupt request is generated at both edges of the noise canceller pass signal 11 : Reserved	
INT3NC	Sets the noise canceller sampling interval for external interrupt 3	NORMAL1/2, IDLE1/2	SLOW1/2, SLEEP1
		00 : fcgck [Hz] 01 : fcgck / 2 ² [Hz] 10 : fcgck / 2 ³ [Hz] 11 : fcgck / 2 ⁴ [Hz]	00 : fs/4 [Hz] 01 : fs/4 [Hz] 10 : fs/4 [Hz] 11 : fs/4 [Hz]

Note 1: fcgck: Gear clock [Hz], fs: Low-frequency clock [Hz]

Note 2: Interrupt requests may be generated during transition of the operation mode. Before changing the operation mode, clear the corresponding interrupt enable register to "0" to disable the generation of interrupt. When the operation mode is changed from NORMAL1/2 or IDLE1/2 to SLOW1/2 or SLEEP1, wait 12/fs [s] after the operation mode is changed and clear the interrupt latch. And when the operation mode is changed from SLOW1/2 or SLEEP1 to NORMAL1/2 or IDLE1/2, wait 2/fcgck+3/fspl [s] after the operation mode is changed and clear the interrupt latch.

Note 3: Interrupt requests may be generated when EINTCR3 is changed. Before doing such operation, clear the corresponding interrupt enable register to "0" to disable the generation of interrupt. When the operation mode is changed from NORMAL1/2 or IDLE1/2 to SLOW1/2 or SLEEP1, wait 12/fs [s] after the operation mode is changed and clear the interrupt latch. And when the operation mode is changed from SLOW1/2 or SLEEP1 to NORMAL1/2 or IDLE1/2, wait 2/fcgck+3/fspl [s] after the operation mode is changed and clear the interrupt latch.

Note 4: Bits 7 to 5 of EINTCR3 are read as "0".

External interrupt control register 4

EINTCR4 (0x0FDB)	7	6	5	4	3	2	1	0
Bit Symbol	-	-	-	INT4LVL	INT4ES		INT4NC	
Read/Write	R	R	R	R	R/W		R/W	
After reset	0	0	0	0	0		0	

INI4LVL	Noise canceller pass signal level when the interrupt request signal is generated for external interrupt 4	0 : Initial state or signal level "L" 1 : Signal level "H"
INT4ES	Selects the interrupt request generating condition for external interrupt 4	00 : An interrupt request is generated at the rising edge of the noise canceller pass signal 01 : An interrupt request is generated at the falling edge of the noise canceller pass signal 10 : An interrupt request is generated at both edges of the noise canceller pass signal 11 : An interrupt request is generated at "H" of the noise canceller pass signal
INT4NC	Sets the noise canceller sampling interval for external interrupt 4	NORMAL1/2, IDLE1/2
		SLOW1/2, SLEEP1
		00 : fcgck [Hz] 01 : fcgck / 2 ² [Hz] 10 : fcgck / 2 ³ [Hz] 11 : fcgck / 2 ⁴ [Hz]
		00 : fs/4 [Hz] 01 : fs/4 [Hz] 10 : fs/4 [Hz] 11 : fs/4 [Hz]

- Note 1: fcgck: Gear clock [Hz], fs: Low-frequency clock [Hz]
- Note 2: Interrupt requests may be generated during transition of the operation mode. Before changing the operation mode, clear the corresponding interrupt enable register to "0" to disable the generation of interrupt. When the operation mode is changed from NORMAL1/2 or IDLE1/2 to SLOW1/2 or SLEEP1, wait 12/fs [s] after the operation mode is changed and clear the interrupt latch. And when the operation mode is changed from SLOW1/2 or SLEEP1 to NORMAL1/2 or IDLE1/2, wait 2/fcgck+3/fspl [s] after the operation mode is changed and clear the interrupt latch.
- Note 3: Interrupt requests may be generated when EINTCR4 is changed. Before doing such operation, clear the corresponding interrupt enable register to "0" to disable the generation of interrupt. When the operation mode is changed from NORMAL1/2 or IDLE1/2 to SLOW1/2 or SLEEP1, wait 12/fs [s] after the operation mode is changed and clear the interrupt latch. And when the operation mode is changed from SLOW1/2 or SLEEP1 to NORMAL1/2 or IDLE1/2, wait 2/fcgck+3/fspl [s] after the operation mode is changed and clear the interrupt latch.
- Note 4: The contents of EINTCRx<INTxLVL> are updated each time an interrupt request signal is generated.
- Note 5: Bits 7 to 5 of EINTCR4 are read as "0".

4.3 Function

The condition for generating interrupt request signals and the noise cancel time can be set for external interrupts 1 to 4.

The condition for generating interrupt request signals and the noise cancel time are fixed for external interrupts 0 and 5.

Table 4-1 External Interrupts

Source	Pin	Enable conditions	Interrupt request signal generated at	External interrupt pin input signal width and noise removal	
				NORMAL1/2, IDLE1/2	SLOW1/2, SLEEP1
INT0	$\overline{\text{INT0}}$	IMF AND EF16 = 1	Falling edge	Less than 1/fcgck: Noise More than 1/fcgck and less than 2/fcgck: Indeterminate More than 2/fcgck: Signal	Less than 4/fs: Noise More than 4/fs and less than 8/fs: Indeterminate More than 8/fs: Signal
INT1	INT1	IMF AND EF17 = 1	Falling edge Rising edge Both edges	Less than 2/fspl: Noise More than 2/fspl and less than 3/fspl+1/fcgck: Indeterminate More than 3/fspl+1/fcgck: Signal	Less than 4/fs: Noise More than 4/fs and less than 8/fs: Indeterminate More than 8/fs: Signal
INT2	INT2	IMF AND EF18 = 1	Falling edge Rising edge Both edges	Less than 2/fspl: Noise More than 2/fspl and less than 3/fspl+1/fcgck: Indeterminate More than 3/fspl+1/fcgck: Signal	Less than 4/fs: Noise More than 4/fs and less than 8/fs: Indeterminate More than 8/fs: Signal
INT3	INT3	IMF AND EF19 = 1	Falling edge Rising edge Both edges	Less than 2/fspl: Noise More than 2/fspl and less than 3/fspl+1/fcgck: Indeterminate More than 3/fspl+1/fcgck: Signal	Less than 4/fs: Noise More than 4/fs and less than 8/fs: Indeterminate More than 8/fs: Signal
INT4	INT4	IMF AND EF20 = 1	Falling edge Rising edge Both edges "H" level	Less than 2/fspl: Noise More than 2/fspl and less than 3/fspl+1/fcgck: Indeterminate More than 3/fspl+1/fcgck: Signal	Less than 4/fs: Noise More than 4/fs and less than 8/fs: Indeterminate More than 8/fs: Signal
INT5	$\overline{\text{INT5}}$	IMF AND EF8 = 1	Falling edge	Less than 1/fcgck: Noise More than 1/fcgck and less than 2/fcgck: Indeterminate More than 2/fcgck: Signal	Less than 4/fs: Noise More than 4/fs and less than 8/fs: Indeterminate More than 8/fs: Signal

Note 1: fcgck, Gear clock [Hz]; fs, low frequency clock [Hz]; fspl, Sampling interval [Hz]

4.3.1 Low power consumption function

External interrupts have a function that saves power by using the low power consumption register (POFFCR3) when they are not used.

Setting POFFCR3<INTxEN> to "0" stops (disables) the basic clock for external interrupts and helps save power. Note that this makes external interrupts unavailable. Setting POFFCR3<INTxEN> to "1" supplies (enables) the basic clock for external interrupts and makes external interrupts available.

After reset, POFFCR3<INTxEN> is initialized to "0" and external interrupts become unavailable. When using the external interrupt function for the first time, be sure to set POFFCR3<INTxEN> to "1" in the initial setting of software (before operating the external interrupt control registers).

Note: Interrupt request signals may be generated when INTxEN is changed. Before changing INTxEN, clear the corresponding interrupt enable register to "0" to disable the generation of interrupt. When the operation mode is changed from NORMAL1/2 or IDLE1/2 to SLOW1/2 or SLEEP1, wait 12/fs [s] after the operation mode is changed and clear the interrupt latch. And when the operation mode is changed from SLOW1/2 or SLEEP1 to NORMAL1/2 or IDLE1/2, wait 2/fcgck+3/fspl [s] after the operation mode is changed and clear the interrupt latch.

4.3.2 External interrupt 0

External interrupt 0 detects the falling edge of the $\overline{\text{INT0}}$ pin and generates interrupt request signals.

In NORMAL1/2 or IDLE1/2 mode, pulses of less than 1/fcgck are removed as noise and pulses of 2/fcgck or more are recognized as signals.

In SLOW/SLEEP mode, pulses of less than 4/fs are removed as noise and pulses of 8/fs or more are recognized as signals.

4.3.3 External interrupts 1/2/3

External interrupts 1/2/3 detect the falling edge, the rising edge or both edges of the INT1, INT2 and INT3 pins and generate interrupt request signals.

4.3.3.1 Interrupt request signal generating condition detection function

Select interrupt request signal generating conditions at EINTCRx<INTxES> for external interrupts 1/2/3.

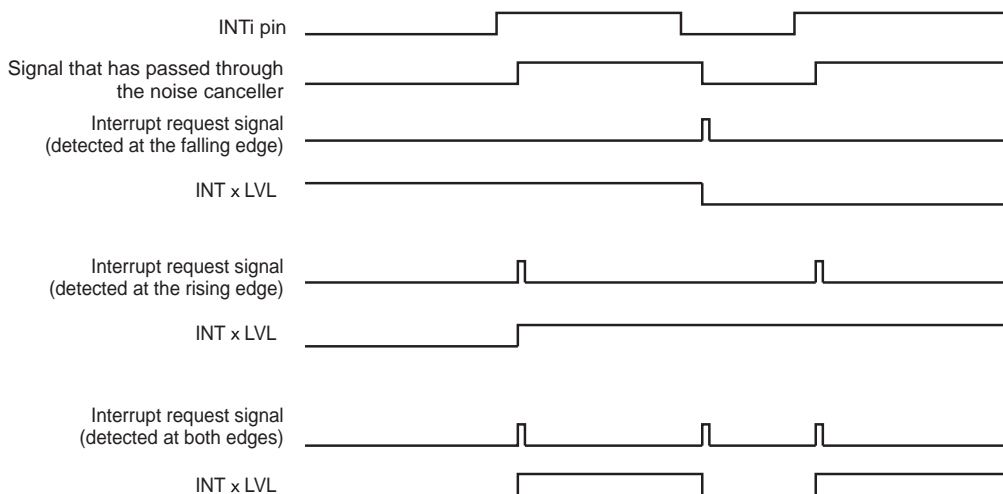
Table 4-2 Selection of Interrupt Request Generation Edge

EINTCRx<INTxES>	Detected at
00	Rising edge
01	Falling edge
10	Both edges
11	Reserved

Note: x=1 to 3

4.3.3.2 A noise canceller pass signal monitoring function when interrupt request signals are generated

The level of a signal that has passed through the noise canceller when an interrupt request is generated can be read by using EINTCRx<INTxLVL>. When both edges are selected as detection edges, the edge where an interrupt is generated can be detected by reading EINTCRx<INTxLVL>.



Note: The contents of EINTCRx<INTxLVL> are updated each time an interrupt request signal is generated.

Figure 4-4 Interrupt Request Generation and EINTCRx<INTxLVL>

4.3.3.3 Noise cancel time selection function

In NORMAL1/2 or IDLE1/2 mode, a signal that has been sampled by fcgck is sampled at the sampling interval selected at EINTCRx<INTxNC>. If the same level is detected three consecutive times, the signal is recognized as a signal. If not, the signal is removed as noise.

Table 4-3 Noise Canceller Sampling Lock

EINTCRx<INTxNC>	Sampling interval
00	fcgck
01	fcgck/2 ²
10	fcgck/2 ³
11	fcgck/2 ⁴

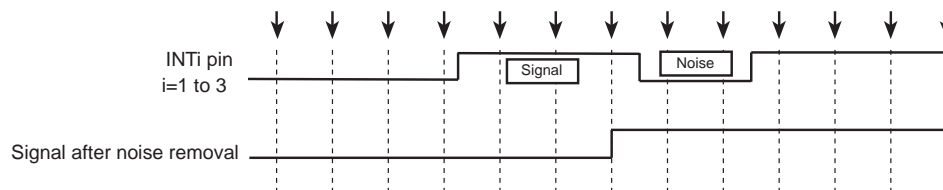


Figure 4-5 Noise Cancel Operation

In SLOW1/2 or SLEEP1 mode, a signal is sampled by the low frequency clock divided by 4. If the same level is detected twice consecutively, the signal is recognized as a signal.

In IDLE0, SLEEP0 or STOP mode, the noise canceller sampling operation is stopped and an external interrupts are unavailable. When operation returns to NORMAL1/2, IDLE1/2, SLOW1/2 or SLEEP1 mode, sampling operation restarts.

- Note 1: If noise is input consecutively during sampling of external interrupt pins, the noise cancel function does not work properly. Set EINTCRx<INTxNC> according to the cycle of externally input noise.
- Note 2: If an external interrupt pin is used as an output port, the input signal to the port is fixed to "L" when the mode is switched to the output mode, and thus an interrupt request occurs. To use the pin as an output port, clear the corresponding interrupt enable register to "0" to disable the generation of interrupt.
- Note 3: Interrupt requests may be generated during transition of the operation mode. Before changing the operation mode, clear the corresponding interrupt enable register to "0" to disable the generation of interrupt. When the operation mode is changed from NORMAL1/2 or IDLE1/2 to SLOW1/2 or SLEEP1, wait 12/fs [s] after the operation mode is changed and clear the interrupt latch. And when the operation mode is changed from SLOW1/2 or SLEEP1 to NORMAL1/2 or IDLE1/2, wait 2/fcgck+3/fspl [s] after the operation mode is changed and clear the interrupt latch.

4.3.4 External interrupt 4

External interrupt 4 detects the falling edge, the rising edge, both edges or "H" level of the INT4 pin and generates interrupt request signals.

4.3.4.1 Interrupt request signal generating condition detection function

Select an interrupt request signal generating condition at EINTCR4<INT4ES> for external interrupt 4.

Table 4-4 Selection of Interrupt Request Generation Edge

EINTCR4<INT4ES>	Detected at
00	Rising edge
01	Falling edge
10	Both edges
11	"H" level interrupt

4.3.4.2 A noise canceller pass signal monitoring function when interrupt request signals are generated

The level of a signal that has passed through the noise canceller when an interrupt request is generated can be read by using EINTCR4<INT4LVL>. When both edges are selected as detection edges, the edge where an interrupt is generated can be detected by reading EINTCR4<INT4LVL>.

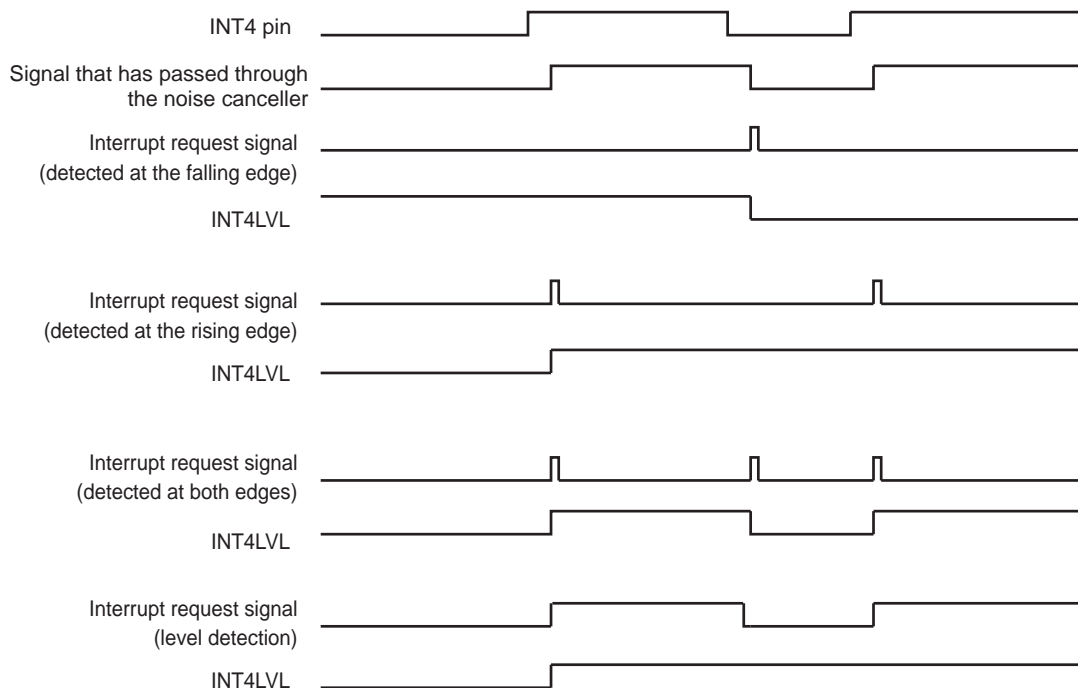


Figure 4-6 Interrupt Request Generation and EINTCR4<INT4LVL>

4.3.4.3 Noise cancel time selection function

In NORMAL1/2 or IDLE1/2 mode, a signal that has been sampled by f_{cgck} is sampled at the sampling interval selected at EINTCRx<INT4NC>. If the same level is detected three consecutive times, the signal is recognized as a signal. If not, the signal is removed as noise.

Table 4-5 Noise Canceller Sampling Lock

EINTCR4<INT4NC>	Sampling interval
00	f _{cgck}
01	f _{cgck} /2 ²
10	f _{cgck} /2 ³
11	f _{cgck} /2 ⁴

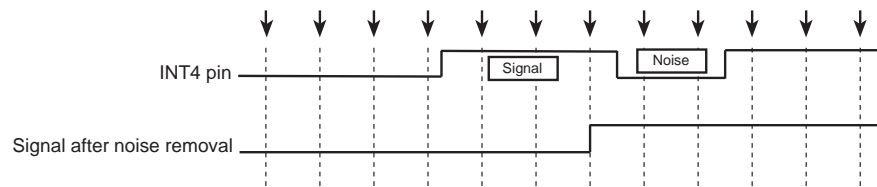


Figure 4-7 Noise Cancel Operation

In SLOW1/2 or SLEEP1 mode, a signal is sampled by the low frequency clock divided by 4. If the same level is detected twice consecutively, the signal is recognized as a signal.

In IDLE0, SLEEP0 or STOP mode, the noise canceller sampling operation is stopped and an external interrupts are unavailable. When operation returns to NORMAL1/2, IDLE1/2, SLOW1/2 or SLEEP1 mode, sampling operation restarts.

- Note 1: When noise is input consecutively during sampling external interrupt pins, the noise cancel function does not work properly. Set EINTCRx<INTxNC> according to the cycle of externally input noise.
- Note 2: When an external interrupt pin is used as an output port, the input signal to the port is fixed to "L" when the mode is switched to the output mode, and thus an interrupt request occurs. To use the pin as an output port, clear the corresponding interrupt enable register to "0" to disable the generation of interrupt.
- Note 3: Interrupt requests may be generated during transition of the operation mode. Before changing the operation mode, clear the corresponding interrupt enable register to "0" to disable the generation of interrupt. When the operation mode is changed from NORMAL1/2 or IDLE1/2 to SLOW1/2 or SLEEP1, wait $12/f_s$ [s] after the operation mode is changed and clear the interrupt latch. And when the operation mode is changed from SLOW1/2 or SLEEP1 to NORMAL1/2 or IDLE1/2, wait $2/f_{cgck} + 3/f_{spl}$ [s] after the operation mode is changed and clear the interrupt latch.

4.3.5 External interrupt 5

External interrupt 5 detects the falling edge of the $\overline{INT5}$ pin and generates interrupt request signals.

In NORMAL1/2 or IDLE1/2 mode, pulses of less than $1/f_{cgck}$ are removed as noise and pulses of $2/f_{cgck}$ or more are recognized as signals.

In SLOW/SLEEP mode, pulses of less than $4/f_s$ are removed as noise and pulses of $8/f_s$ or more are recognized as signals.

5. Watchdog Timer (WDT)

The watchdog timer is a fail-safe system to detect rapidly the CPU malfunctions such as endless loops due to spurious noises or the deadlock conditions, and return the CPU to a system recovery routine.

The watchdog timer signals used for detecting malfunctions can be programmed as watchdog interrupt request signals or watchdog timer reset signals.

Note: Care must be taken in system designing since the watchdog timer may not fulfill its functions due to disturbing noise and other effects.

5.1 Configuration

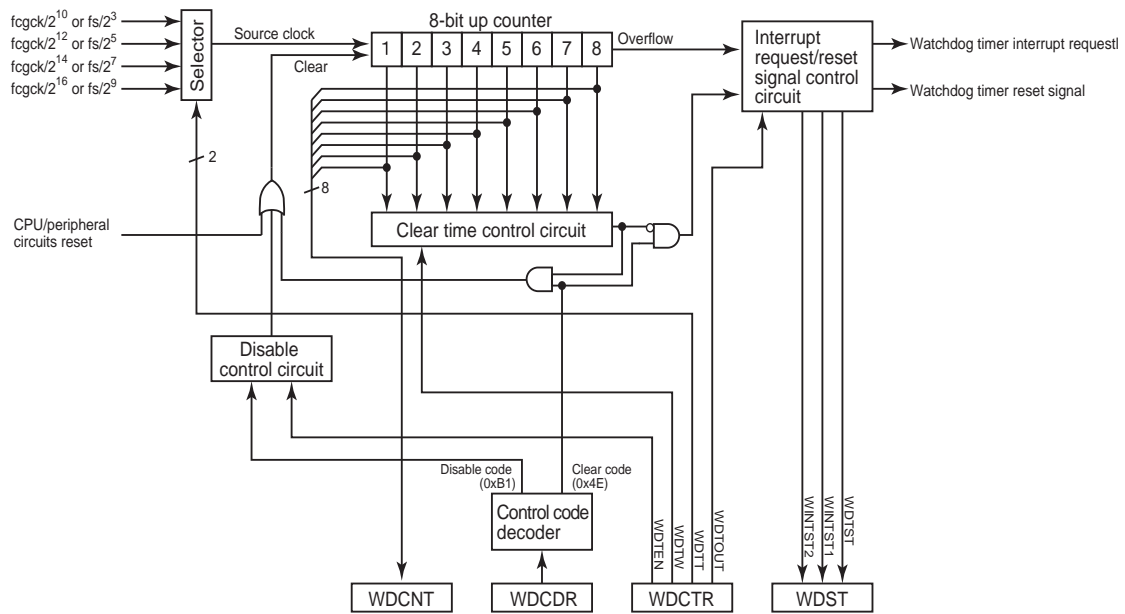


Figure 5-1 Watchdog Timer Configuration

5.2 Control

The watchdog timer is controlled by the watchdog timer control register (WDCTR), the watchdog timer control code register (WDCDR), the watchdog timer counter monitor (WDCNT) and the watchdog timer status (WDST).

The watchdog timer is enabled automatically just after the warm-up operation that follows reset is finished.

Watchdog timer control register

WDCTR (0x0FD4)	7	6	5	4	3	2	1	0
Bit Symbol	-	-	WDTEN	WDTW		WDTT		WDTOUT
Read/Write	R	R	R/W	R/W		R/W		R/W
After reset	1	0	1	0	0	1	1	0

WDTEN	Enables/disables the watchdog timer operation.	0 : Disable 1 : Enable																						
WDTW	Sets the clear time of the 8-bit up counter.	00 : The 8-bit up counter is cleared by writing the clear code at any point within the overflow time of the 8-bit up counter. 01 : A watchdog timer interrupt request is generated by writing the clear code at a point within the first quarter of the overflow time of the 8-bit up counter. The 8-bit up counter is cleared by writing the clear code after the first quarter of the overflow time has elapsed. 10 : A watchdog timer interrupt request is generated by writing the clear code at a point within the first half of the overflow time of the 8-bit up counter. The 8-bit up counter is cleared by writing the clear code after the first half of the overflow time has elapsed. 11 : A watchdog timer interrupt request is generated by writing the clear code at a point within the first three quarters of the overflow time of the 8-bit up counter. The 8-bit up counter is cleared by writing the clear code after the first three quarters of the overflow time have elapsed.																						
WDTT	Sets the overflow time of the 8-bit up counter.	<table border="1"> <thead> <tr> <th rowspan="2"></th> <th colspan="2">NORMAL mode</th> <th rowspan="2">SLOW mode</th> </tr> <tr> <th>DV9CK=0</th> <th>DV9CK=1</th> </tr> </thead> <tbody> <tr> <td>00 :</td> <td>$2^{18}/fcgck$</td> <td>$2^{11}/fs$</td> <td>$2^{11}/fs$</td> </tr> <tr> <td>01 :</td> <td>$2^{20}/fcgck$</td> <td>$2^{13}/fs$</td> <td>$2^{13}/fs$</td> </tr> <tr> <td>10 :</td> <td>$2^{22}/fcgck$</td> <td>$2^{15}/fs$</td> <td>$2^{15}/fs$</td> </tr> <tr> <td>11 :</td> <td>$2^{24}/fcgck$</td> <td>$2^{17}/fs$</td> <td>$2^{17}/fs$</td> </tr> </tbody> </table>		NORMAL mode		SLOW mode	DV9CK=0	DV9CK=1	00 :	$2^{18}/fcgck$	$2^{11}/fs$	$2^{11}/fs$	01 :	$2^{20}/fcgck$	$2^{13}/fs$	$2^{13}/fs$	10 :	$2^{22}/fcgck$	$2^{15}/fs$	$2^{15}/fs$	11 :	$2^{24}/fcgck$	$2^{17}/fs$	$2^{17}/fs$
	NORMAL mode			SLOW mode																				
	DV9CK=0	DV9CK=1																						
00 :	$2^{18}/fcgck$	$2^{11}/fs$	$2^{11}/fs$																					
01 :	$2^{20}/fcgck$	$2^{13}/fs$	$2^{13}/fs$																					
10 :	$2^{22}/fcgck$	$2^{15}/fs$	$2^{15}/fs$																					
11 :	$2^{24}/fcgck$	$2^{17}/fs$	$2^{17}/fs$																					
WDTOUT	Selects an overflow detection signal of the 8-bit up counter.	0 : Watchdog timer interrupt request signal 1 : Watchdog timer reset request signal																						

Note 1: fcgck, Gear clock [Hz]; fs, Low frequency clock [Hz]

Note 2: WDCTR<WDTW>, WDCTR<WDTT> and WDCTR<WDTOUT> cannot be changed when WDCTR<WDTEN> is "1". If WDCTR<WDTEN> is "1", clear WDCTR<WDTEN> to "0" and write the disable code (0xB1) into WDCDR to disable the watchdog timer operation. Note that WDCTR<WDTW>, WDCTR<WDTT> and WDCTR<WDTOUT> can be changed at the same time as setting WDCTR<WDTEN> to "1".

Note 3: Bit 7 and bit 6 of WDCTR are read as "1" and "0" respectively.

Watchdog timer control code register

WDCDR (0x0FD5)	7	6	5	4	3	2	1	0
Bit Symbol	WDTCCR2							
Read/Write	W							
After reset	0	0	0	0	0	0	0	0

WDTCCR2	Writes watchdog timer control codes.	0x4E : Clears the watchdog timer. (Clear code) 0xB1 : Disables the watchdog timer operation and clears the 8-bit up counter when WDCTR<WDTEN> is "0". (Disable code) Others : Invalid
---------	--------------------------------------	---

Note: WDCDR is a write-only register and must not be accessed by using a read-modify-write instruction, such as a bit operation.

8-bit up counter monitor

WDCNT (0x0FD6)		7	6	5	4	3	2	1	0
	Bit Symbol	WDCNT							
	Read/Write	R							
After reset		0	0	0	0	0	0	0	0

WDCNT	Monitors the count value of the 8-bit up counter	The count value of the 8-bit up counter is read.
-------	--	--

Watchdog timer status

WDST (0x0FD7)		7	6	5	4	3	2	1	0
	Bit Symbol	-	-	-	-	-	WINTST2	WINTST1	WDTST
	Read/Write	R	R	R	R	R	R	R	R
After reset		0	1	0	1	1	0	0	1

WINTST2	Watchdog timer interrupt request signal factor status 2	0 : No watchdog timer interrupt request signal has occurred. 1 : A watchdog timer interrupt request signal has occurred due to the overflow of the 8-bit up counter.
WINTST1	Watchdog timer interrupt request signal factor status 1	0 : No watchdog timer interrupt request signal has occurred. 1 : A watchdog timer interrupt request signal has occurred due to releasing of the 8-bit up counter outside the clear time.
WDTST	Watchdog timer operating state status	0 : Operation disabled 1 : Operation enabled

Note 1: WDST<WINTST2> and WDST<WINTST1> are cleared to "0" by reading WDST.

Note 2: Values after reset are read from bits 7 to 3 of WDST.

5.3 Functions

The watchdog timer can detect the CPU malfunctions and deadlock by detecting the overflow of the 8-bit up counter and detecting releasing of the 8-bit up counter outside the clear time.

The watchdog timer stoppage and other abnormalities can be detected by reading the count value of the 8-bit up counter at random times and comparing the value to the last read value.

5.3.1 Setting of enabling/disabling the watchdog timer operation

Setting WDCTR<WDTEN> to "1" enables the watchdog timer operation, and the 8-bit up counter starts counting the source clock.

WDCTR<WDTEN> is initialized to "1" after the warm-up operation that follows reset is released. This means that the watchdog timer is enabled.

To disable the watchdog timer operation, clear WDCTR<WDTEN> to "0" and write 0xB1 into WDCDR. Disabling the watchdog timer operation clears the 8-bit up counter to "0".

Note: If the overflow of the 8-bit up counter occurs at the same time as 0xB1 (disable code) is written into WDCDR with WDCTR<WDTEN> set at "1", the watchdog timer operation is disabled preferentially and the overflow detection is not executed.

To re-enable the watchdog timer operation, set WDCTR<WDTEN> to "1". There is no need to write a control code into WDCDR.

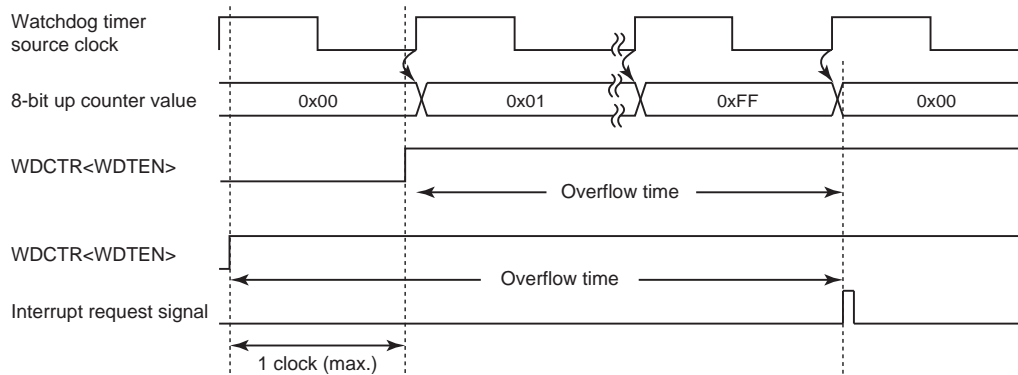


Figure 5-2 WDCTR<WDTEN> Set Timing and Overflow Time

Note: The 8-bit up counter source clock operates out of synchronization with WDCTR<WDTEN>. Therefore, the first overflow time of the 8-bit up counter after WDCTR<WDTEN> is set to "1" may get shorter by a maximum of 1 source clock. The 8-bit up counter must be cleared within the period of the overflow time minus 1 source clock cycle.

5.3.2 Setting the clear time of the 8-bit up counter

WDCTR<WDTW> sets the clear time of the 8-bit up counter.

When WDCTR<WDTW> is "00", the clear time is equal to the overflow time of the 8-bit up counter, and the 8-bit up counter can be cleared at any time.

When WDCTR<WDTW> is not "00", the clear time is fixed to only a certain period within the overflow time of the 8-bit up counter. If the operation for releasing the 8-bit up counter is attempted outside the clear time, a watchdog timer interrupt request signal occurs.

At this time, the watchdog timer is not cleared but continues counting. If the 8-bit up counter is not cleared within the clear time, a watchdog timer reset request signal or a watchdog timer interrupt request signal occurs due to the overflow, depending on the WDCTR<WDTOUT> setting.

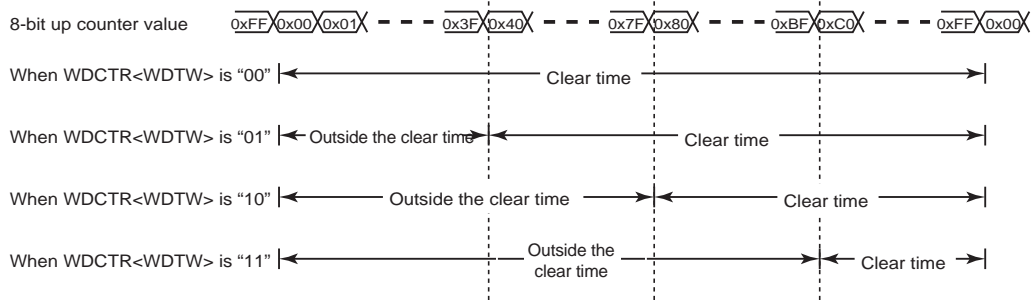


Figure 5-3 WDCTR<WDTW> and the 8-bit up Counter Clear Time

5.3.3 Setting the overflow time of the 8-bit up counter

WDCTR<WDTT> sets the overflow time of the 8-bit up counter.

When the 8-bit up counter overflows, a watchdog timer reset request signal or a watchdog timer interrupt request signal occurs, depending on the WDCTR<WDTOUT> setting.

If the watchdog timer interrupt request signal is selected as the malfunction detection signal, the watchdog counter continues counting, even after the overflow has occurred.

The watchdog timer temporarily stops counting up in the STOP mode (including warm-up) or in the IDLE/SLEEP mode, and restarts counting up after the STOP/IDLE/SLEEP mode is released. To prevent the 8-bit up counter from overflowing immediately after the STOP/IDLE/SLEEP mode is released, it is recommended to clear the 8-bit up counter before the operation mode is changed.

Table 5-1 Watchdog Timer Overflow Time (fcgck=8.0 MHz; fs=32.768 kHz)

WDTT	Watchdog timer overflow time [s]		
	NORMAL mode		SLOW mode
	DV9CK = 0	DV9CK = 1	
00	32.77 m	62.50 m	62.50 m
01	131.07 m	250.00 m	250.00 m
10	524.29 m	1.000	1.000
11	2.097	4.000	4.000

Note: The 8-bit up counter source clock operates out of synchronization with WDCTR<WDTEN>. Therefore, the first overflow time of the 8-bit up counter after WDCTR<WDTEN> is set to "1" may get shorter by a maximum of 1 source clock. The 8-bit up counter must be cleared within a period of the overflow time minus 1 source clock cycle.

5.3.4 Setting an overflow detection signal of the 8-bit up counter

WDCTR<WDTOUT> selects a signal to be generated when the overflow of the 8-bit up counter is detected.

1. When the watchdog timer interrupt request signal is selected (when WDCTR<WDTOUT> is "0")

Releasing WDCTR<WDTOUT> to "0" causes a watchdog timer interrupt request signal to occur when the 8-bit up counter overflows.

A watchdog timer interrupt is a non-maskable interrupt, and its request is always accepted, regardless of the interrupt master enable flag (IMF) setting.

Note: When a watchdog timer interrupt is generated while another interrupt, including a watchdog timer interrupt, is already accepted, the new watchdog timer interrupt is processed immediately and the preceding interrupt is put on hold. Therefore, if watchdog timer interrupts are generated continuously without execution of the RETN instruction, too many levels of nesting may cause a malfunction of the microcontroller.

2. When the watchdog timer reset request signal is selected (when `WDCTR<WDTOUT>` is "1")

Setting `WDCTR<WDTOUT>` to "1" causes a watchdog timer reset request signal to occur when the 8-bit up counter overflows.

This watchdog timer reset request signal resets the TMP89FM82 and starts the warm-up operation.

5.3.5 Writing the watchdog timer control codes

The watchdog timer control codes are written into `WDCDR`.

By writing `0x4E` (clear code) into `WDCDR`, the 8-bit up counter is cleared to "0" and continues counting the source clock.

When `WDCTR<WDTEN>` is "0", writing `0xB1` (disable code) into `WDCDR` disables the watchdog timer operation.

To prevent the 8-bit up counter from overflowing, clear the 8-bit up counter in a period shorter than the overflow time of the 8-bit up counter and within the clear time.

By designing the program so that no overflow will occur, the program malfunctions and deadlock can be detected through interrupts generated by watchdog timer interrupt request signals.

By applying a reset to the microcomputer using watchdog timer reset request signals, the CPU can be restored from malfunctions and deadlock.

Example: When `WDCTR<WDTEN>` is "0", set the watchdog timer detection time to $2^{20}/fcgck$ [s], set the counter clear time to half of the overflow time, and allow a watchdog timer reset request signal to occur if a malfunction is detected.

<p>Clear the 8-bit up counter at a point after half of its overflow time and within a period of the overflow time minus 1 source clock cycle.</p>	<pre>LD (WDCTR), 0y00110011 ;WDTW←10, WDTT←01, WDTOUT←1</pre>
<p>Clear the 8-bit up counter at a point after half of its overflow time and within a period of the overflow time minus 1 source clock cycle.</p>	<pre>LD (WDCDR), 0x4E ;Clear the 8-bit up counter</pre>
<p>Clear the 8-bit up counter at a point after half of its overflow time and within a period of the overflow time minus 1 source clock cycle.</p>	<pre>LD (WDCDR), 0x4E ;Clear the 8-bit up counter</pre>

Note: If the overflow of the 8-bit up counter and writing of `0x4E` (clear code) into `WDCDR` occur simultaneously, the 8-bit up counter is cleared preferentially and the overflow detection is not executed.

5.3.6 Reading the 8-bit up counter

The counter value of the 8-bit up counter can be read by reading `WDCNT`.

The stoppage of the 8-bit up counter can be detected by reading `WDCNT` at random times and comparing the value to the last read value.

5.3.7 Reading the watchdog timer status

The watchdog timer status can be read at `WDST`.

`WDST<WDTST>` is set to "1" when the watchdog timer operation is enabled, and it is cleared to "0" when the watchdog timer operation is disabled.

`WDST<WINTST2>` is set to "1" when a watchdog timer interrupt request signal occurs due to the overflow of the 8-bit up counter.

WDST<WINTST1> is set to "1" when a watchdog timer interrupt request signal occurs due to the operation for releasing the 8-bit up counter outside the clear time.

You can know which factor has caused a watchdog timer interrupt request signal by reading WDST<WINTST2> and WDST<WINTST1> in the watchdog timer interrupt service routine.

WDST<WINTST2> and WDST<WINTST1> are cleared to "0" when WDST is read. If WDST is read at the same time as the condition for turning WDST<WINTST2> or WDST<WINTST1> to "1" is satisfied, WDST<WINTST2> or WDST<WINTST1> is set to "1", rather than being cleared.

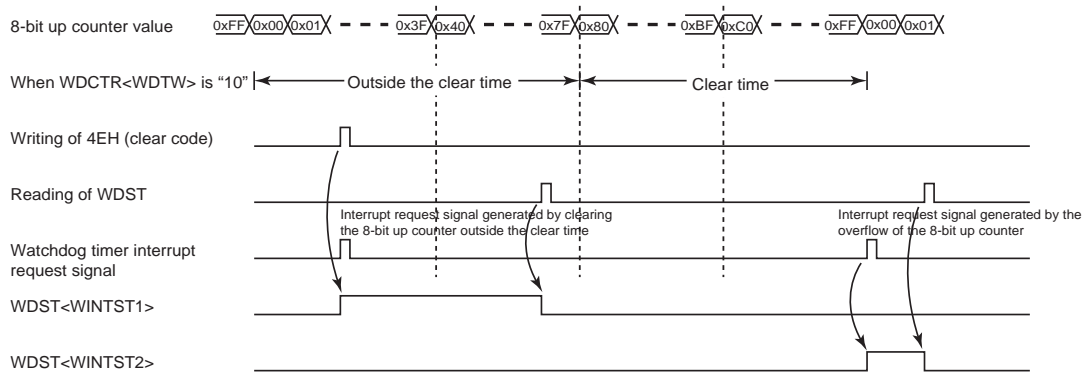


Figure 5-4 Changes in the Watchdog Timer Status



6. Power-on Reset Circuit

The power-on reset circuit generates a reset when the power is turned on. When the supply voltage is lower than the detection voltage of the power-on reset circuit, a power-on reset signal is generated.

6.1 Configuration

The power-on reset circuit consists of a reference voltage generation circuit and a comparator.

The supply voltage divided by ladder resistor is compared with the voltage generated by the reference voltage generation circuit by the comparator.

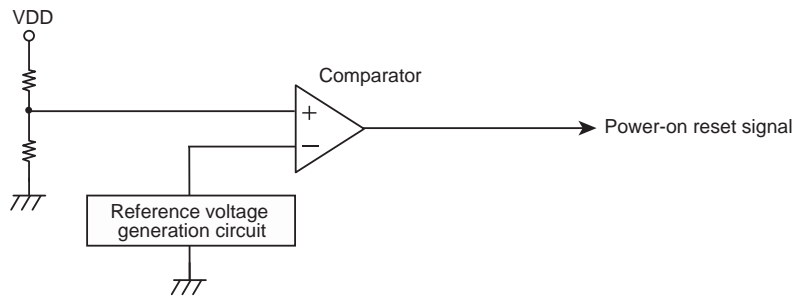


Figure 6-1 Power-on Reset Circuit

6.2 Function

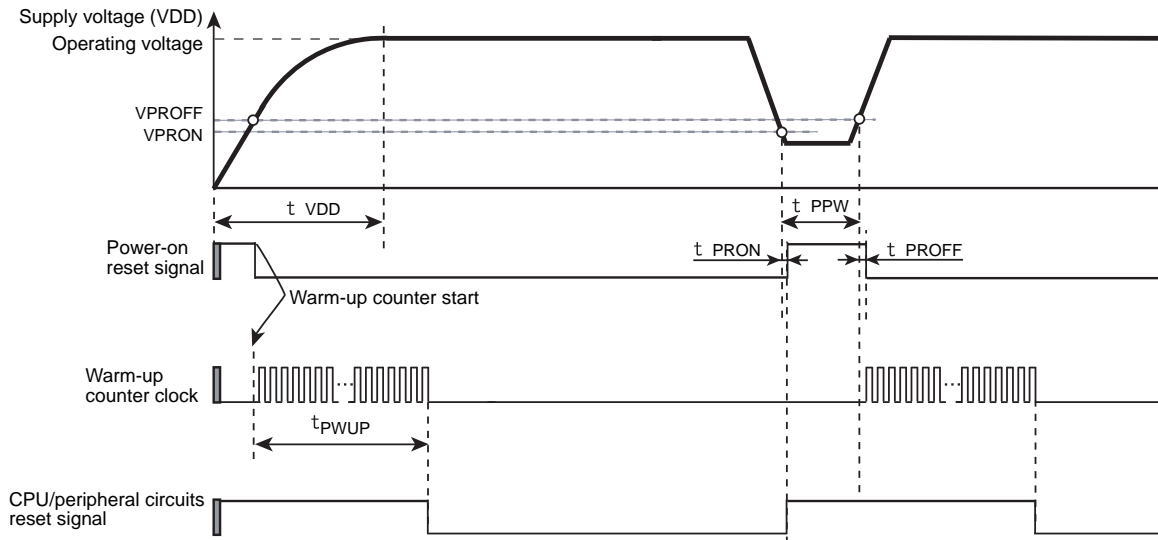
When power supply voltage goes on, if the supply voltage is equal to or lower than the releasing voltage of the power-on reset circuit, a power-on reset signal is generated and if it is higher than the releasing voltage of the power-on reset circuit, a power-on reset signal is released.

When power supply voltage goes down, if the supply voltage is equal to or lower than the detecting voltage of the power-on reset circuit, a power-on reset signal is generated.

Until the power-on reset signal is generated, a warm-up circuit and a CPU is reset.

When the power-on reset signal is released, the warm-up circuit is activated. The reset of the CPU and peripheral circuits is released after the warm-up time that follows reset release has elapsed.

Increase the supply voltage into the operating range during the period from detection of the power-on reset release voltage until the end of the warm-up time that follows reset release. If the supply voltage has not reached the operating range by the end of the warm-up time that follows reset release, the TMP89FM82 cannot operate properly.



Note 1: The power-on reset circuit may operate improperly, depending on fluctuations in the supply voltage (VDD). Refer to the electrical characteristics and take them into consideration when designing equipment.

Note 2: For the AC timing, refer to the electrical characteristics.

Figure 6-2 Operation Timing of Power-on Reset

7. Voltage Detection Circuit

The voltage detection circuit detects any decrease in the supply voltage and generates INTVLTD interrupt request signals and voltage detection reset signals.

Note: The voltage detection circuit may operate improperly, depending on fluctuations in the supply voltage (VDD). Refer to the electrical characteristics and take them into consideration when designing equipment.

7.1 Configuration

The voltage detection circuit consists of a reference voltage generation circuit, a detection voltage level selection circuit, a comparator and control registers.

The supply voltage (VDD) is divided by the ladder resistor and input to the detection voltage selection circuit. The detection voltage selection circuit selects a voltage according to the specified detection voltage (VDxLVL) (x = 1 or 2), and the comparator compares it with the reference voltage. When the comparator detects the selected voltage, a voltage detection reset signal or an INTVLTD interrupt request signal can be generated.

Whether to generate a voltage detection reset signal or an INTVLTD interrupt request signal can be programmed by software. In the former case, a voltage detection reset signal is generated when the supply voltage (VDD) becomes lower than the detection voltage (VDxLVL). In the latter case, an INTVLTD interrupt request signal is generated when the supply voltage (VDD) falls to the detection voltage level.

Note: Since the comparators used for voltage detection do not have a hysteresis structure, INTVLTD interrupt request signals may be generated frequently if the supply voltage (VDD) is close to the detection voltage (VDxLVL). INTVLTD interrupt request signals may be generated not only when the supply voltage falls to the detection voltage but also when it rises to the detection voltage.

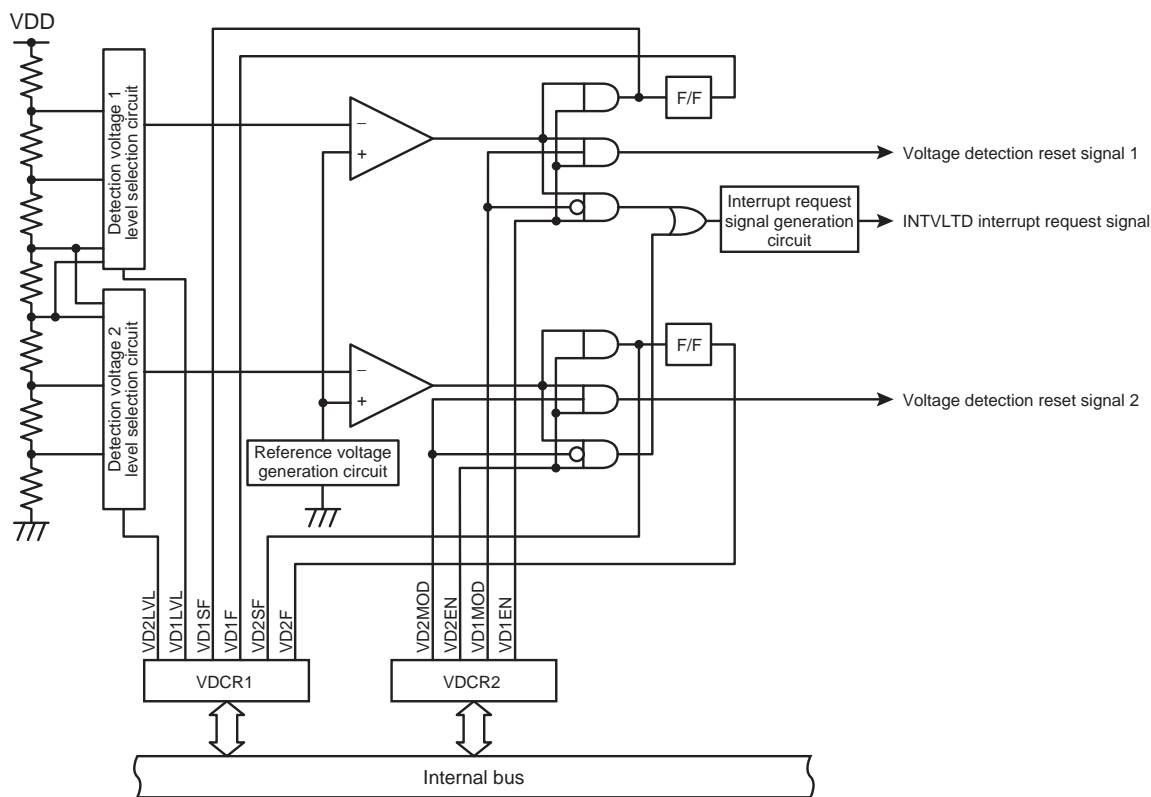


Figure 7-1 Voltage Detection Circuit

7.2 Control

The voltage detection circuit is controlled by voltage detection control registers 1 and 2.

Voltage detection control register 1

VDCR1 (0x0FC6)	7	6	5	4	3	2	1	0
Bit Symbol	VD2F	VD2SF	VD2LVL		VD1F	VD1SF	VD1LVL	
Read/Write	R/W	Read Only	R/W		R/W	Read Only	R/W	
After reset	0	0	1	0	0	0	0	0

		Read		Write	
VD2F	Voltage detection 2 flag (Retains the state when VDD < VD2LVL is detected)	0:	VDD ≥ VD2LVL	Clears VD2F to "0"	
		1:	VDD < VD2LVL	-	
VD2SF	Voltage detection 2 status flag (Magnitude relation of VDD and VD2LVL when they are read)	0:	VDD ≥ VD2LVL		
		1:	VDD < VD2LVL		
VD2LVL	Selection for detection voltage 2	00:	2.35 +0.15 / -0.15V		
		01:	3.15 +0.15 / -0.15V		
		10:	2.85 +0.15 / -0.15V		
		11:	2.65 +0.15 / -0.15V		
VD1F	Voltage detection 1 flag (Retains the state when VDD < VD1LVL is detected)	0:	VDD ≥ VD1LVL	Clears VD1F to "0"	
		1:	VDD < VD1LVL	-	
VD1SF	Voltage detection 1 status flag (Magnitude relation of VDD and VD1LVL when they are read)	0:	VDD ≥ VD1LVL		
		1:	VDD < VD1LVL		
VD1LVL	Selection for detection voltage 1	00:	4.50 +0.2 / -0.2V		
		01:	4.20 +0.2 / -0.2V		
		10:	3.70 +0.2 / -0.2V		
		11:	3.15 +0.15 / -0.15V		

Note 1: VDCR1 is initialized by a power-on reset or an external reset input.

Note 2: When VD2F or VD1F is cleared by the software and is set due to voltage detection at the same time, the setting due to voltage detection is given priority.

Note 3: VD2F and VD1F cannot be programmed to "1" by the software.

Voltage detection control register 2

VDCR2 (0x0FC7)	7	6	5	4	3	2	1	0
Bit Symbol	-	-	"0"	"0"	VD2MOD	VD2EN	VD1MOD	VD1EN
Read/Write	R	R	R/W	R/W	R/W	R/W	R/W	R/W
After reset	0	0	0	0	0	0	0	0

VD2MOD	Selects the operation mode of voltage detection 2	0:	Generate an INTVLTD interrupt request signal
		1:	Generate a voltage detection reset 2 signal
VD2EN	Enables/disables the operation of voltage detection 2	0:	Disables the operation of voltage detection 2
		1:	Enables the operation of voltage detection 2
VD1MOD	Selects the operation mode of voltage detection 1	0:	Generates an INTVLTD interrupt request signal
		1:	Generates a voltage detection reset signal
VD1EN	Enables/disables the operation of voltage detection 1	0:	Disables the operation of voltage detection 1
		1:	Enables the operation of voltage detection 1

Note 1: VDCR2 is initialized by a power-on reset or an external reset input.

Note 2: Bits 7 and 6 of VDCR2 are read as "0".

Note 3: Bit 5 and 4 of VDCR2 should be cleared to "0".

7.3 Function

Two detection voltages (VDxLVL, x = 1 to 2) can be set in the voltage detection circuit. For each voltage, enabling/disabling the voltage detection and the operation to be executed when the supply voltage (VDD) falls to or below the detection voltage (VDxLVL) can be programmed.

7.3.1 Enabling/disabling the voltage detection operation

Setting VDCR2<VDxEN> to "1" enables the voltage detection operation. Setting it to "0" disables the operation.

VDCR2<VDxEN> is cleared to "0" immediately after a power-on reset or a reset by an external reset input is released.

Note: When the supply voltage (VDD) is lower than the detection voltage (VDxLVL), setting VDCR2<VDxEN> to "1" generates an INTVLTD interrupt request signal or a voltage detection reset signal at the time.

7.3.2 Selecting the voltage detection operation mode

When VDCR2<VDxMOD> is set to "0", the voltage detection operation mode is set to generate INTVLTD interrupt request signals. When VDCR2<VDxMOD> is set to "1", the operation mode is set to generate voltage detection reset signals.

- When the operation mode is set to generate INTVLTD interrupt signals (VDCR2<VDxMOD>="0")
 - When VDCR2<VDxEN>="1", an INTVLTD interrupt request signal is generated when the supply voltage (VDD) falls to the detection voltage (VDxLVL).

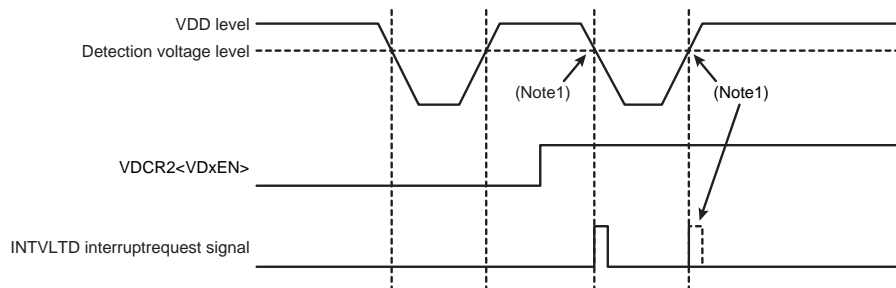


Figure 7-2 Voltage Detection Interrupt Request

Note1: Since the comparators used for voltage detection do not have a hysteresis structure, INTVLTD interrupt request signals may be generated frequently when the supply voltage (VDD) is close to the detection voltage (VDxLVL). INTVLTD interrupt request signals may be generated not only when the supply voltage falls to the detection voltage but also when it rises to the detection voltage.

Note2: If the supply voltage (VDD) falls to the detection voltage (VDxLVL) during IDLE0 or SLEEP0 mode, an INTVLTD interrupt request signal is generated after the TBT counts the specified period and IDLE0 or SLEEP mode is released. In the case of STOP mode, an INTVLTD interrupt request signal is generated after STOP mode is released by the $\overline{\text{STOP}}$ pin.

- When the operation mode is set to generate voltage detection reset signals (VDCR2<VDxMOD>="1")
 - When VDCR2<VDxEN>="1", a voltage detection reset signal is generated when the supply voltage (VDD) becomes lower than the detection voltage (VDxLVL).

VDCR1 and VDCR2 are initialized by a power-on reset or an external reset input only. A voltage detection reset signal is generated continuously as long as the supply voltage (VDD) is lower than the detection voltage (VDxLVL).

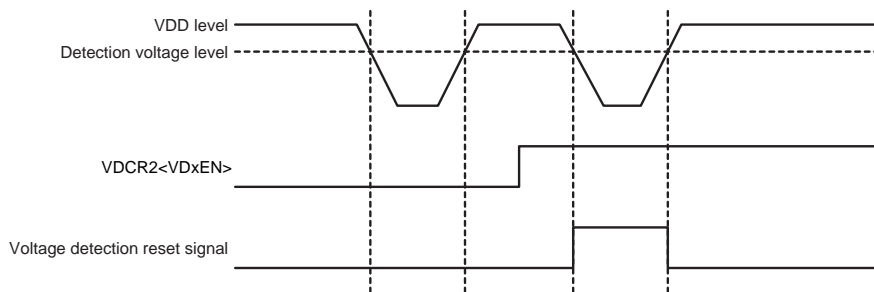


Figure 7-3 Voltage Detection Reset Signal

7.3.3 Selecting the detection voltage level

Select a detection voltage at $VDCR1<VDxLVL>$.

7.3.4 Voltage detection flag and voltage detection status flag

The magnitude relation between the supply voltage (VDD) and the detection voltage ($VDxLVL$) can be checked by reading $VDCR1<VDxF>$ and $VDCR1<VDxSF>$.

If $VDCR2<VDxEN>$ is set at "1", when the supply voltage (VDD) becomes lower than the detection voltage ($VDxLVL$), $VDCR1<VDxF>$ is set to "1" and is held in this state. $VDCR1<VDxF>$ is not cleared to "0" when the supply voltage (VDD) becomes equal to or higher than the detection voltage ($VDxLVL$).

When $VDCR2<VDxEN>$ is cleared to "0" after $VDCR1<VDxF>$ is set to "1", the previous state is still held. To clear $VDCR1<VDxF>$, "0" must be written to it.

If $VDCR2<VDxEN>$ is set at "1", when the supply voltage (VDD) becomes lower than the detection voltage ($VDxLVL$), $VDCR1<VDxSF>$ is set to "1". When the supply voltage (VDD) becomes equal to or higher than the detection voltage ($VDxLVL$), $VDCR1<VDxSF>$ is cleared to "0".

Unlike $VDCR1<VDxF>$, $VDCR1<VDxSF>$ does not hold the set state.

Note 1: When the supply voltage (VDD) becomes lower than the detection voltage ($VDxLVL$) in the STOP, IDLE0 or SLEEP0 mode, the voltage detection flag and the voltage detection status flag are changed after the operation mode is returned to NORMAL or SLOW mode.

Note 2: Depending on the voltage detection timing, the voltage detection status flag ($VDxSF$) may be changed earlier than the voltage detection flag ($VDxF$) by a maximum of $2/fcgck[s]$.

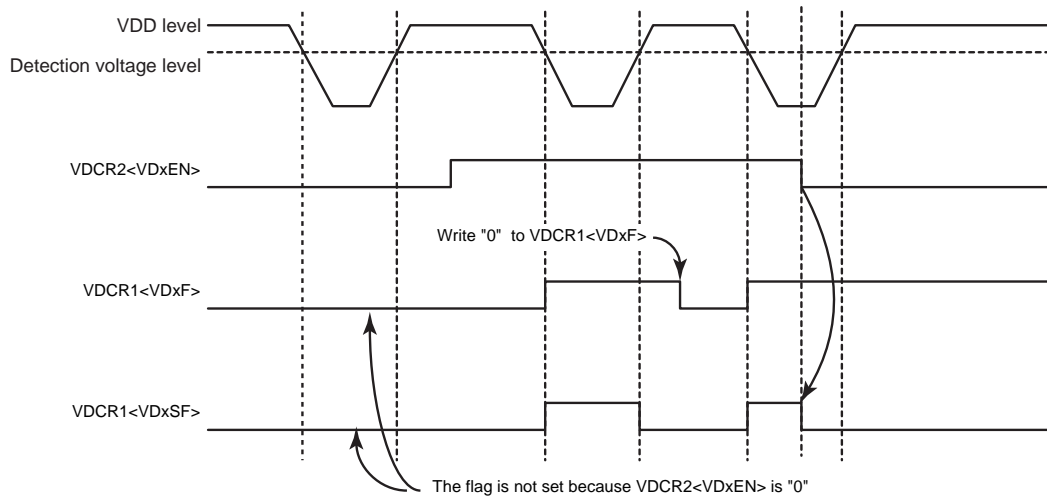


Figure 7-4 Changes in the Voltage Detection Flag and the Voltage Detection Status Flag



7.4 Register Settings

7.4.1 Setting procedure when the operation mode is set to generate INTVLTD interrupt request signals

When the operation mode is set to generate INTVLTD interrupt request signal, make the following setting:

1. Clear the voltage detection circuit interrupt enable flag to "0".
2. Set the detection voltage at VDCR1<VDxLVL>(x=1 to 2).
3. Clear VDCR2<VDxMOD> to "0" to set the operation mode to generate INTVLTD interrupt request signals.
4. Set VDCR2<VDxEN> to "1" to enable the voltage detection operation.
5. Wait for 5 [μs] or more until the voltage detection circuit becomes stable.
6. Make sure that VDCR1<VDxSF> is "0".
7. Clear the voltage detection circuit interrupt latch to "0" and set the interrupt enable flag to "1" to enable interrupts.

Note: When the supply voltage (VDD) is close to the detection voltage (VDxLVL), voltage detection request signals may be generated frequently. If this may pose any problem, execute appropriate wait processing depending on fluctuations in the system power supply and clear the interrupt latch before returning from the INTVLTD interrupt service routine.

To disable the voltage detection circuit while it is enabled with the INTVLTD interrupt request, make the following setting:

1. Clear the voltage detection circuit interrupt enable flag to "0".
2. Clear VDCR2<VDxEN> to "0" to disable the voltage detection operation.

Note: If the voltage detection circuit is disabled without clearing interrupt enable flag, unexpected interrupt request may occur.

7.4.2 Setting procedure when the operation mode is set to generate voltage detection reset signals

When the operation mode is set to generate voltage detection reset signals, make the following setting:

1. Clear the voltage detection circuit interrupt enable flag to "0".
2. Set the detection voltage at VDCR1<VDxLVL>(x=1 to 2).
3. Clear VDCR2<VDxMOD> to "0" to set the operation mode to generate INTVLTD interrupt request signals.
4. Set VDCR2<VDxEN> to "1" to enable the voltage detection operation.
5. Wait for 5 [μs] or more until the voltage detection circuit becomes stable.
6. Make sure that VDCR1<VDxSF> is "0".
7. Clear VDCR1<VDxF> to "0".
8. Set VDCR2<VDxMOD> to "1" to set the operation mode to generate voltage detection reset signals.

Note 1: VDCR1 and VDCR2 are initialized by a power-on reset or an external reset input only. If the supply voltage (VDD) becomes lower than the detection voltage (VDxLVL) in the period from release of the voltage detection reset until clearing of VDCR2<VDxEN> to "0", a voltage detection reset signal is generated immediately.

Note 2: The voltage detection reset signals are generated continuously as long as the supply voltage (VDD) is lower than the detection voltage (VDxLVL).

To disable the voltage detection circuit while it is enabled with the voltage detection reset, make the following setting:

1. Clear the voltage detection circuit interrupt enable flag to "0".

2. Clear VDCR2<VDxMOD> to "0" to set the operation mode to generate INTVLTD interrupt request signals.
3. Clear VDCR2<VDxEN> to "0" to disable the voltage detection operation.

Note: If the voltage detection circuit is disabled without clearing interrupt enable flag, unexpected interrupt request may occur.



8. I/O Ports

The TMP89FM82 has 7 parallel input/output ports (39 pins) as follows:

Table 8-1 List of I/O Ports

Port name	Pin name	Number of pins	Input/output	Secondary functions
Port P0	P03 to P02 (Note 1)	2 (Note 1)	Input/output	the low-frequency oscillator connection pin
Port P1	P13 to P11 (Note 2)	3 (Note 2)	Input/output	the external interrupt input and the STOP mode release signal input
Port P2	P27 to P20	8	Input/output	Also used as the UART input/output, the serial interface input/output and the serial bus SEI interface input/output, timer counter input/output external intrrupt input, or OCD terminals
Port P4	P47 to P40	8	Input/output	Also used as the analog input and the key-on wakeup input
Port P7	P75 to P70	6	Input/output	Also used as the timer counter input/output,the UART input/output, the serial interface input/output
Port P8	P87 to P80	8	Input/output	Also used as the Motor control input/output, or devider output.
Port P9	P93 to P90	4	Input/output	Also used as Motor control input/output

Note:P00 and P01 pins are not counted as I/O pins for this product,because they are used as the high frequency OSC input .

Note:P10 pin is not counted as an I/O pin for this product, because it is used as an External Reset pin.



Each output port contains a latch, which holds the output data. No input port has a latch, so the external input data should be externally held until the input data is read from outside or reading should be performed several times before processing. Figure 8-1 shows input/output timing examples.

External data is read from an I/O port in the read cycle during execution of the read instruction. This timing cannot be recognized from outside, so that transient input such as chattering must be processed by the program. Data is output to an I/O port in the next cycle of the write cycle during execution of the write instruction.

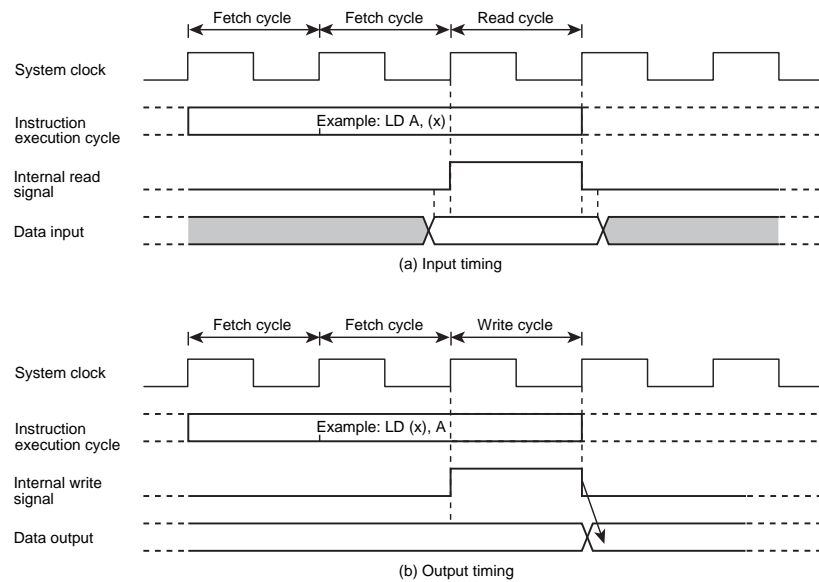


Figure 8-1 Input/Output Timing (Example)

Note: The positions of the read and write cycles may vary, depending on the instruction.

8.1 I/O Port Control Registers

The following control registers are used for I/O ports. (The port number is indicated in place of x.) Registers that can be set vary depending on the port. For details, refer to the description of each port.

- PxD R register
This is the register for setting output data. When a port is set to the "output mode", the value specified at PxD R is output from the port.
- PxPRD register
This is the register for reading input data. When a port is set to the "input mode", the current port input status can be read by reading PxPRD.
- PxCR register
This register switches a port between input and output. A port can be switched between the "input mode" and the "output mode".
- PxFC register
This register enables the secondary function output of each port. The secondary function output of each port can be enabled or disabled.
- PxOUTCR register
This register switches the port output between the C-MOS output and the open drain output.
- PxPU register
This register determines whether or not the built-in pull-up resistor is connected when a port is used in the input mode or as the open drain output.

8.2 List of I/O Port Settings

For the setting methods for individual I/O ports, refer to the following table.

Table 8-2 List of I/O Port Settings

Port name	Pin name	Function	No registerRegister set value			
			PxCR	PxOUTCR	PxFC	Other required settings
Port P0	P03 to P02	Port input	0	No register	0	
		Port output	1		0	
	P03	XTOUT	*		No register	
	P02	XTIN	*		1	
	-	XOUT	No register		No register	
	-	XIN			1	
Port P1	P13 to P11	Port input	0	No register	No register	
		Port output	1			
	P13	INT1 input	0			
	P12	$\overline{\text{INT0}}$ input	0			
	P11	$\overline{\text{INT5}}$ input	0			
		$\overline{\text{STOP}}$ input	0			
-	$\overline{\text{RESET}}$ input	No register				
Port P2	P27 to P20	Port input	0	*	0	
		Port output	1	**	0	
	P27	INT2 input	0	*	No register	
	P26	RXD1 input	0	*	*	SERSEL<SRSEL0>="01" or "11"
		MISO input	0	*	*	SERSEL<SRSEL0>="00" or "10"
		MISO output	1	**	1	SERSEL<SRSEL0>="00" or "10"
		TCA0 input	0	*	*	SERSEL<TCA0SEL>="10"
		TCA1 input	0	*	*	SERSEL2<TCA1SEL>="10"
	P25	TXD1 output	1	**	1	SERSEL<SRSEL0>="01" or "11"
		MOSI input	0	*	*	SERSEL<SRSEL0>="00" or "10"
	P24	MOSI output	1	**	1	SERSEL<SRSEL0>="00" or "10"
		SECLK input	0	*	*	SERSEL<SRSEL0>="00" or "10"
		SECLK output	1	**	1	SERSEL<SRSEL0>="00" or "10"
	P23	INT3 input	0	*	No register	SERSEL<SRSEL0>="00" or "10"
		$\overline{\text{SS}}$ input	0	*		
P22	INT4 input	0	*	*		
	SCLK0 input	0	*	*	SERSEL<SRSEL0>="10" or "11"	
	SCLK0 output	1	**	1	SERSEL<SRSEL0>="10" or "11"	

Table 8-2 List of I/O Port Settings

Port name	Pin name	Function	No registerRegister set value			
			PxCR	PxOUTCR	PxFC	Other required settings
Port2	P21	RXD0 input	0	*	No resistor	SERSEL<SRSEL0>="00" or "01" SERSEL<SRSEL2>="0"
		SI0 input	0	*		SERSEL<SRSEL0>="10" or "11" SERSEL<SRSEL2>="0"
		TCA0 input	0	*		SERSEL<TCA0SEL>="01"
		TCA1 input	0	*		SERSEL<TCA1SEL>="01"
		OCDIO	-	-		-
	P20	TXD0 output	1	**	1	SERSEL<SRSEL0>="00" or "01" SERSEL<SRSEL2>="0"
		SO0 output	1	**	1	SERSEL<SRSEL0>="10" or "11" SERSEL<SRSEL2>="0"
		OCDCK	-	-	-	
Port P4	P47 to P40	Port input	0	No register	*	
		Port output	1		0	
	P47	AIN7 input	0		1	
	P46	AIN6 input	0		1	
	P45	AIN5 input	0		1	
	P43	AIN3 input	0		1	
		KWI3 input	0		*	
	P42	AIN2 input	0		1	
		KWI2 input	0		*	
	P41	AIN1 input	0		1	
		KW1 input	0		*	
	P40	AIN0 input	0		1	
		KWI0 input	0		*	

Table 8-2 List of I/O Port Settings

Port name	Pin name	Function	No resistorRegister set value					
			PxCR	PxOUTCR	PxFC	Other required settings		
Port P7	P75 to P70	Port input	0	No register	*			
		Port output	1		0			
	P75	TC03 input	0		*			
		$\overline{\text{PPG03}}$ output	1		1			
		$\overline{\text{PWM03}}$ output	1		1			
		RXD0 input	0		*	SERSEL<SRSEL0>="00" or "01" SERSEL<SRSEL2>="1"		
		SI0 input	0		*	SERSEL<SRSEL0>="10" or "11" SERSEL<SRSEL2>="1"		
	P74	TC02 input	0		*			
		$\overline{\text{PPG02}}$ output	1		1			
		$\overline{\text{PWM02}}$ output	1		1			
		TXD0 output	1		1	SERSEL<SRSEL0>="00" or "01" SERSEL<SRSEL2>="1"		
		SO0 output	1		1	SERSEL<SRSEL0>="10" or "11" SERSEL<SRSEL2>="1"		
	P73	TC01 input	0		*			
		$\overline{\text{PPG01}}$ output	1		1			
		$\overline{\text{PWM01}}$ output	1		1			
	P72	TC00 input	0		*			
		$\overline{\text{PPG00}}$ output	1		1			
		$\overline{\text{PWM00}}$ output	1		1			
	P71	TCA1 input	0		*	SERSEL<TCA1SEL>="00"		
		$\overline{\text{PPGA1}}$ output	1		1			
	P70	TCA0 input	0		*	SERSEL<TCA0SEL>="00"		
		$\overline{\text{PPGA0}}$ output	1		1			
	P8 Port	P87 to P80	Port input		0	*	*	
			Port output		1	**	0	
P87		$\overline{\text{EMG1}}$ input	0	*	No resistor			
P86		U1 output	1	**	1			
P85		V1 output	1	**	1			
P84		W1 output	1	**	1			
P83		X1 output	1	**	1			
P82		Y1 output	1	**	1			
P81		Z1 output	1	**	1			
P80		$\overline{\text{DVO}}$ output	1	**	1			
	$\overline{\text{DBOUT1}}$ output	1	**	1				
P9 Port	P93 to P90	Port input	0	No resistor	No resistor			
		Port output	1					
	P93	PDU1 input	0					
	P92	PDV1 input	0					
	P91	PDW1 input	0					
	P90	$\overline{\text{CL1}}$ input	0					

Note 1: About SERSEL and SERSEL2, please refer to "8.4 Serial Interface Selecting Function".

Note 2: The symbol and numeric characters in the table have the following meanings:

Symbol and numeric characters	Meaning
0	Set "0".
1	Set "1".
*	Don't care (Operation is the same whether "1" or "0" is selected.)
**	The sink open drain output or the C-MOS output can be selected.
No register	There is no register that corresponds to the bit.

8.3 I/O Port Registers

8.3.1 Port P0 (P03 to P02)

Port P0 is a 2-bit input/output port that can be set to input or output for each bit individually, and also used as the low-frequency oscillation connection pins.

(P00,P01 are not I/O port for this product, because they are used only as the high-frequency oscillation connection pins.)

P02,P03 contains a programmable pull-up resistor on the VDD side. This pull-up resistor can be used when the port is used in the input mode.

Table 8-3 Port P0

	-	-	-	-	P03	P02	-	-
Secondary function	-	-	-	-	XTOUT	XTIN	XOUT	XIN

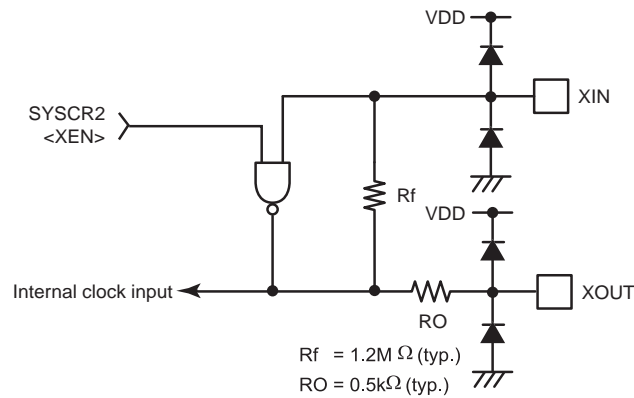


Figure 8-2 Port P0 (XIN, XOUT)

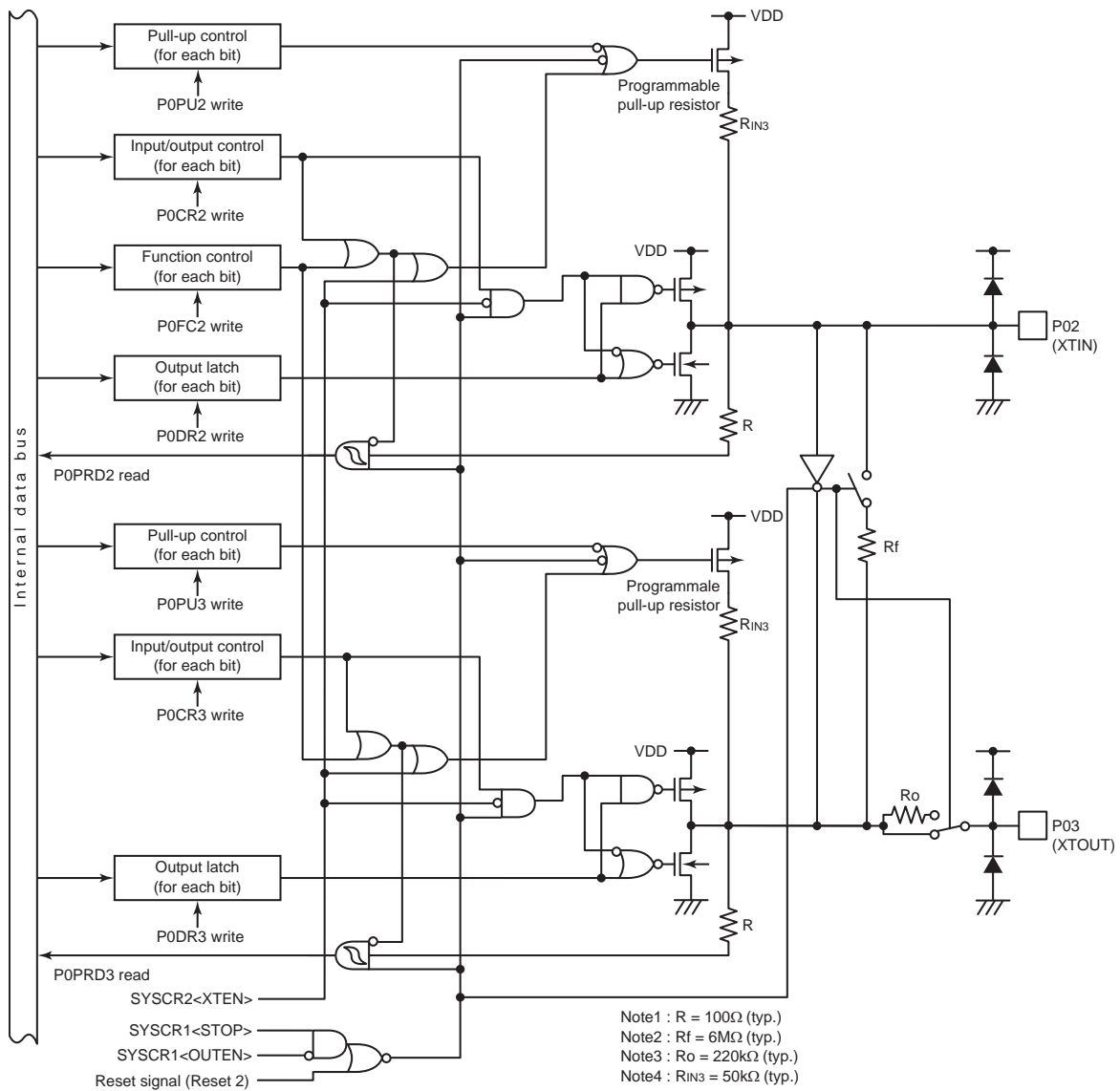


Figure 8-3 Port P0 (P02, P03)

Port P0 output latch

P0DR (0x0000)		7	6	5	4	3	2	1	0
Bit Symbol		-	-	-	-	P03	P02	-	-
Read/Write		R	R	R	R	R/W	R/W	R	R
After reset		0	0	0	0	0	0	0	0
Function	0:					Outputs L level when the output mode is selected.			
	1:					Outputs H level when the output mode is selected.			

Port P0 input/output control

P0CR (0x0F1A)		7	6	5	4	3	2	1	0
Bit Symbol		-	-	-	-	P0CR3	P0CR2	-	-
Read/Write		R	R	R	R	R/W	R/W	R	R
After reset		0	0	0	0	0	0	0	0
Function	0:					Input mode (port input)			
	1:					Output mode (port output)			

Port P0 function control

P0FC (0x0F34)		7	6	5	4	3	2	1	0
Bit Symbol		-	-	-	-	-	P0FC2	-	-
Read/Write		R	R	R	R	R	R/W	R	R
After reset		0	0	0	0	0	0	0	1
Function	0:						Port function		
	1:						XTIN (I)		XIN (I)

Note 1: Symbol "I" means secondary function input

Port P0 built-in pull-up resistor control

P0PU (0x0F27)		7	6	5	4	3	2	1	0
Bit Symbol		-	-	-	-	P0PU3	P0PU2	-	-
Read/Write		R	R	R	R	R/W	R/W	R	R
After reset		0	0	0	0	0	0	0	0
Function	0:					The built-in pull-up resistor is not connected.			
	1:					The built-in pull-up resistor is connected. (The resistor is connected in the input mode only. Under any other conditions, setting to "1" does not make the resistor connected.)			

Port P0 input data

P0PRD (0x000D)	7	6	5	4	3	2	1	0
Bit Symbol	-	-	-	-	P0PRD3	P0PRD2	-	-
Read/Write	R	R	R	R	R	R	R	R
After reset	0	0	0	0	*	*	0	0
Function					If the port is in the input mode, the contents of the port are read. If not, "0" is read.			

Table 8-4 P0PRD Read Value (P02 to P03)

Set condition		P0PRDj read value
P0FC2	P0CRj	
*	1	"0"
1	*	"0"
0	0	Contents of port

Note 1: *: Don't care

Note 2: j = 2, 3

8.3.2 Port P1 (P13 to P11)

Port P1 is a 3-bit input/output port that can be set to input or output for each bit individually. P13 to P11 are also used as the STOP mode release signal input or as the external interrupt signal.

(P10 is not I/O port for this product, because it is used only as the external reset input.)

P13,P12,P11 contains a programmable pull-up resistor on the VDD side. This pull-up resistor can be used when the port is used in the input mode.

Table 8-5 Port P1

	-	-	-	-	P13	P12	P11	-
Secondary function	-	-	-	-	INT1	INT0	INT5 STOP	RESET

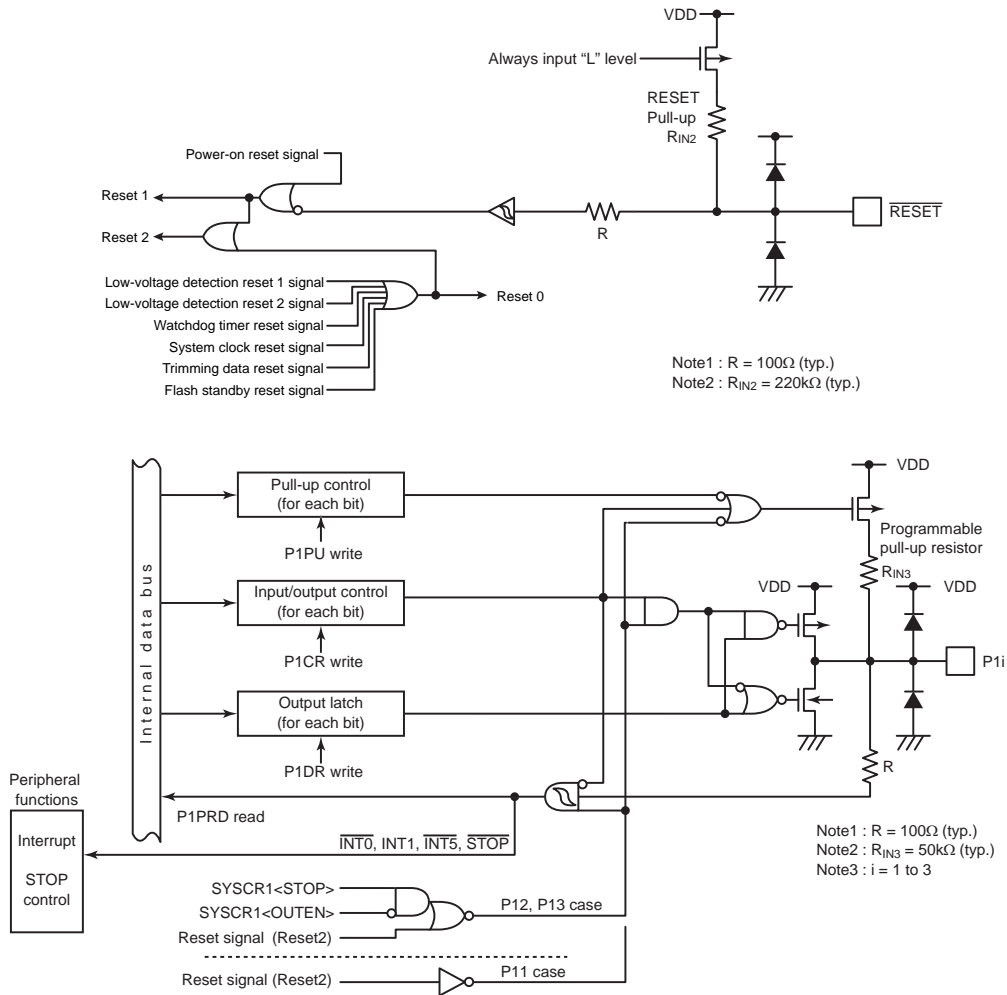


Figure 8-4 Port P1

Port P1 output latch

P1DR (0x0001)		7	6	5	4	3	2	1	0
Bit Symbol		-	-	-	-	P13	P12	P11	-
Read/Write		R	R	R	R	R/W	R/W	R/W	R
After reset		0	0	0	0	0	0	0	0
Function	0:					Outputs L level when the output mode is selected.			
	1:					Outputs H level when the output mode is selected.			

Port P1 input/output control

P1CR (0x0F1B)		7	6	5	4	3	2	1	0
Bit Symbol		-	-	-	-	P1CR3	P1CR2	P1CR1	-
Read/Write		R	R	R	R	R/W	R/W	R/W	R
After reset		0	0	0	0	0	0	0	0
Function	0:					Input mode (port input)			
	1:					INT1 (I)	INT0 (I)	INT5 (I) STOP (I)	-
						Output mode (port output)			

Note: Symbol "I" means secondary function input

Port P1 built-in pull-up resistor control

P1PU (0x0F28)		7	6	5	4	3	2	1	0
Bit Symbol		-	-	-	-	P1PU3	P1PU2	P1PU1	-
Read/Write		R	R	R	R	R/W	R/W	R/W	R
After reset		0	0	0	0	0	0	0	0
Function	0:					The built-in pull-up resistor is not connected.			
	1:					The built-in pull-up resistor is connected. (The resistor is connected only when the port is used in the input mode or as the open drain output. Under any other conditions, setting to "1" does not make the resistor connected.)			

Port P1 input data

P1PRD (0x000E)		7	6	5	4	3	2	1	0
Bit Symbol		-	-	-	-	P1PRD3	P1PRD2	P1PRD1	-
Read/Write		R	R	R	R	R	R	R	R
After reset		0	0	0	0	*	*	*	0
Function						If the port is in the input mode, the contents of the port are read. If not, "0" is read.			

Table 8-6 P1PRD Read Value

Set condition	P1PRDi read value
P1CRi	
0	Contents of port
1	"0"

Note 1: * : Don't care

Note 2: i = 1 to 3

8.3.3 Port P2 (P27 to P20)

Port P2 is an 8-bit input/output port that can be set to input or output for each bit individually, and it is also used as the serial bus SEI interface input/output, the serial interface input/output, the UART input/output, the external interrupt input, and the on-chip debug function.

The output circuit has the P-channel output control function and either the sink open drain output or the C-MOS output can be selected. Port P2 contains a programmable pull-up resistor on the VDD side. This pull-up resistor can be used when the port is used in the input mode or as a sink open drain output.

When this port is used as the serial bus interface, the serial interface or the UART, setting for serial interface selecting function is also needed. For details, refer to "8.4 Serial Interface Selecting Function".

In case the on-chip debug function is used, setting to P20,P21 are changed by the hardware and operated as OCDIO and OCDCK pins. As for the on-chip debug function, refer to the chapter of "On-chip Debug Function (OCD)".

Table 8-7 Port P2

	P27	P26	P25	P24	P23	P22	P21	P20
Secondary function	INT2	RXD1 MISO TCA0 TCA1	TXD1 MOSI	SECLK	INT3 SS	SCLK0 INT4	RXD0 SI0 TCA0 TCA1 (OCDIO)	TXD0 SO0 (OCDCK)



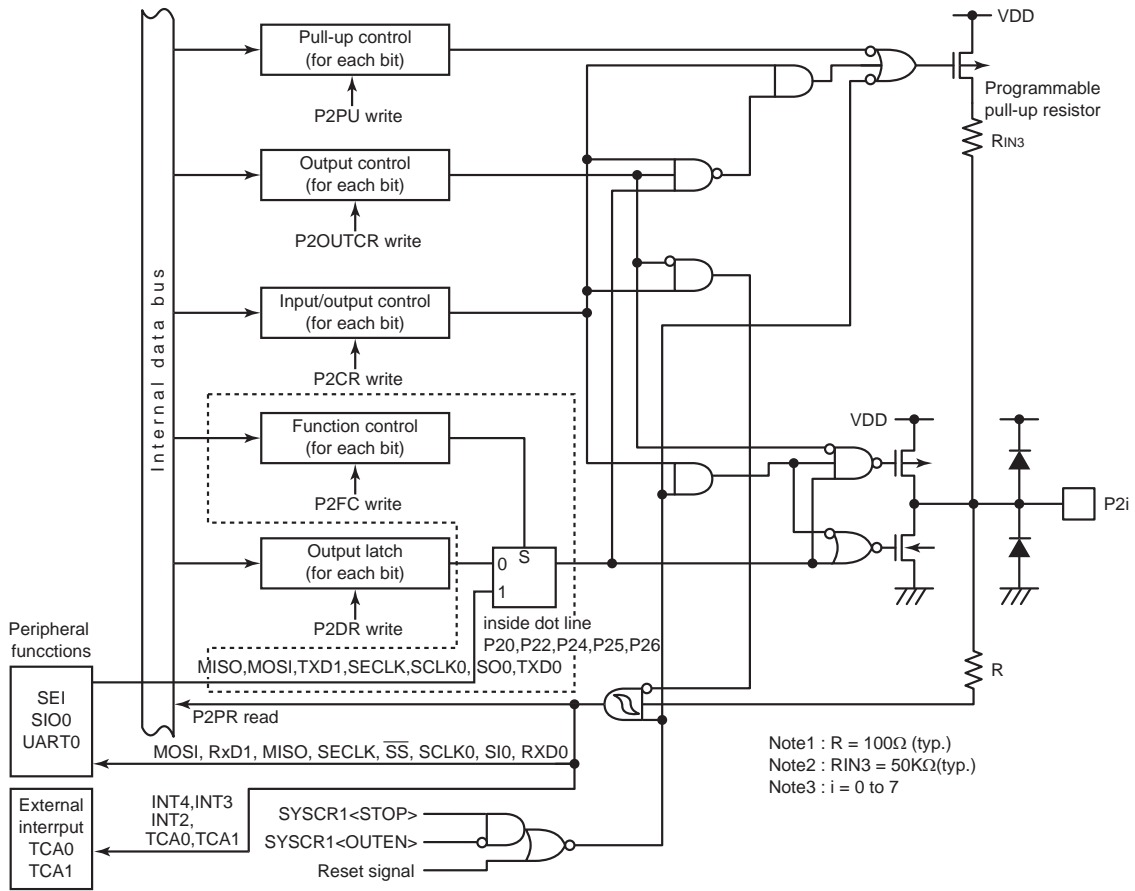


Figure 8-5 Port P2

Port P2 output latch

P2DR (0x0002)		7	6	5	4	3	2	1	0
Bit Symbol		P27	P26	P25	P24	P23	P22	P21	P20
Read/Write		R/W	R/W	R/W	R/W	R/W	R/W	R/W	R/W
After reset		0	0	0	0	0	0	0	0
Function	0:	Outputs L level when the output mode is selected.							
	1:	Outputs H level when the output mode is selected. (Serves as Hi-Z or pull-up depending on settings of P2OUTCR and P2PU.)							

Port P2 input/output control

P2CR (0x0F1C)		7	6	5	4	3	2	1	0
Bit Symbol		P2CR7	P2CR6	P2CR5	P2CR4	P2CR3	P2CR2	P2CR1	P2CR0
Read/Write		R/W	R/W	R/W	R/W	R/W	R/W	R/W	R/W
After reset		0	0	0	0	0	0	0	0
Function	0:	Input mode (port input)							
	1:	Output mode (port output)							

Input mode (port input)		INT2(I)	RXD1(I) MISO(I) TCA0(I) TCA1(I)	MOSI (I)	SECLK (I)	\overline{SS} (I) INT3 (I)	SCLK0 (I) INT4 (I)	SI0 (I) RXD0 (I) TCA0 (I) TCA1 (I)	
Output mode (port output)		-	MISO(O)	MOSI(O) TXD1(O)	SECLK (O)	-	SCLK0 (O)	-	TXD0 (O) SO0 (O)

Note: Symbol "I" means secondary function input. Symbol "O" means secondary function output. Symbol "I/O" means secondary function input/output



Port P2 function control

P2FC (0x0F36)		7	6	5	4	3	2	1	0
Bit Symbol		-	P2FC6	P2FC5	P2FC4	-	P2FC2	-	P2FC0
Read/Write		R	R/W	R/W	R/W	R	R/W	R	R/W
After reset		0	0	0	0	0	0	0	0
Function	0:	Port function					Port function		Port function
	1:		MISO(I/O)	TXD1 (O) MOSI(I/O)	SECLK (I/O)		SCLK0 (I/O)		TXD0 (O) SO0 (O)

Port P2 output control

P2OUTCR (0x0F43)		7	6	5	4	3	2	1	0
Bit Symbol		P2OUT7	P2OUT6	P2OUT5	P2OUT4	P2OUT3	P2OUT2	P2OUT1	P2OUT0
Read/Write		R/W	R/W	R/W	R/W	R/W	R/W	R/W	R/W
After reset		0	0	0	0	0	0	0	0
Function	0:	C-MOS output							
	1:	Open drain output							

Port P2 built-in pull-up resistor control

P2PU (0x0F29)		7	6	5	4	3	2	1	0
Bit Symbol		P2PU7	P2PU6	P2PU5	P2PU4	P2PU3	P2PU2	P2PU1	P2PU0
Read/Write		R/W	R/W	R/W	R/W	R/W	R/W	R/W	R/W
After reset		0	0	0	0	0	0	0	0
Function	0:	The built-in pull-up resistor is not connected.							
	1:	The built-in pull-up resistor is connected. (The resistor is connected only when the port is used in the input mode or as the open drain output. Under any other conditions, setting to "1" does not make the resistor connected.)							

Port P2 input data

P2PRD (0x00F)		7	6	5	4	3	2	1	0
Bit Symbol		P2PRD7	P2PRD6	P2PRD5	P2PRD4	P2PRD3	P2PRD2	P2PRD1	P2PRD0
Read/Write		R	R	R	R	R	R	R	R
After reset		*	*	*	*	*	*	*	*
Function		If the port is used in the input mode or as the open drain output, the contents of the port are read. If not, "0" is read.							

Table 8-8 P2PRD Read Value

Set condition		P2PRDi read value
P2CRi	P2OUTCRi	
0	*	Contents of port
1	0	"0"
1	1	Contents of port

Note 1: *: Don't care

Note 2: i = 0 to 7

8.3.4 Port P4 (P47 to P40)

Port P4 is an 8-bit input/output port that can be set to input or output for each bit individually, and it is also used as the analog input and the key-on wakeup input.

Port P4 contains a programmable pull-up resistor on the VDD side. This pull-up resistor can be used when the port is used as the input mode for Key on wake up input etc.

Table 8-9 Port P4

	P47	P46	P45	P44	P43	P42	P41	P40
Secondary function	AIN7	AIN6	AIN5	AIN4	AIN3 KWI3	AIN2 KWI2	AIN1 KWI1	AIN0 KWI0

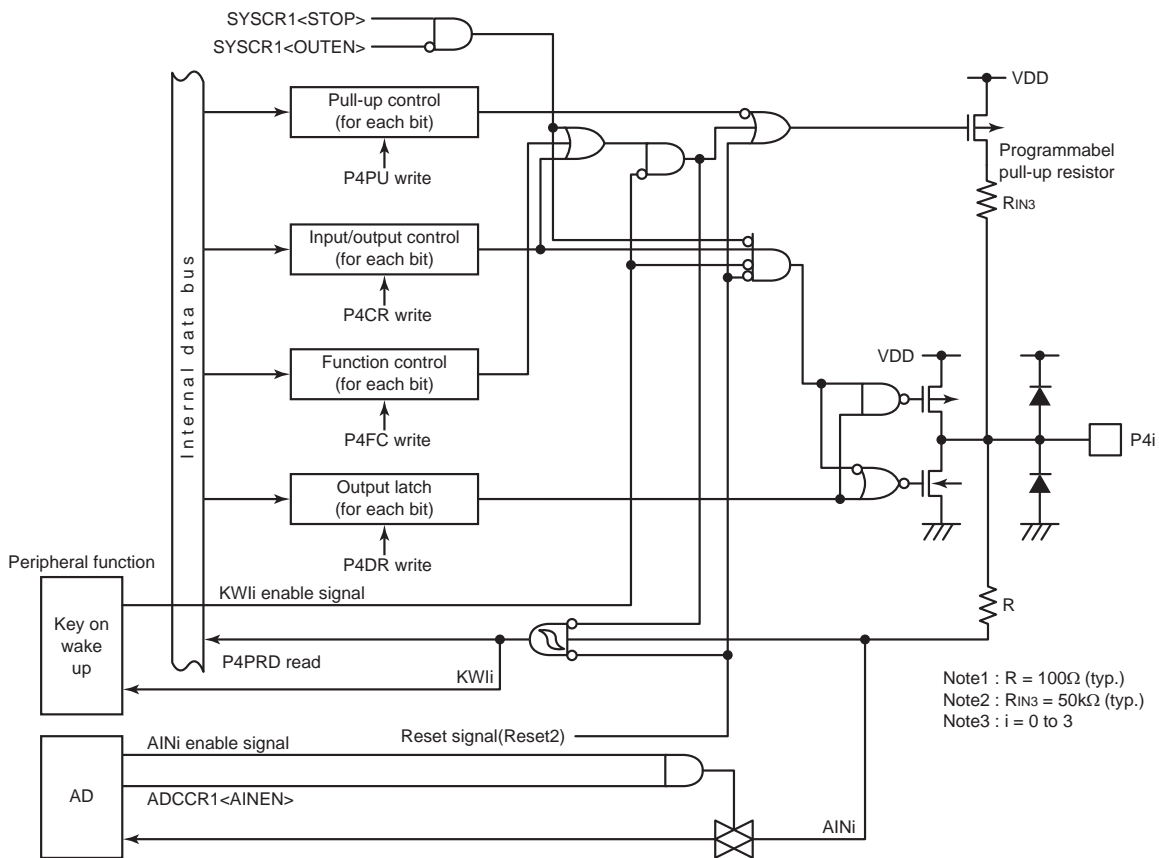


Figure 8-6 Port P4 (P43 to P40)

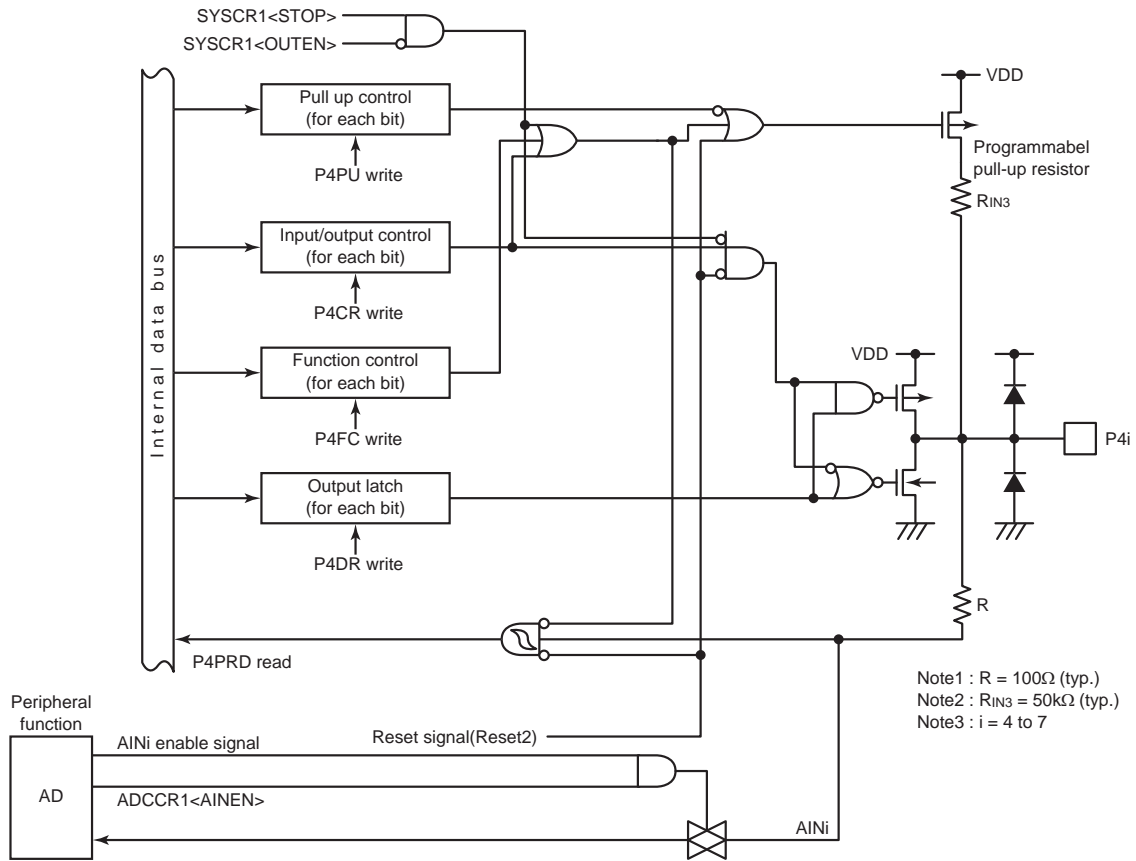


Figure 8-7 Port P4 (P47 to P44)

Port P4 output latch

P4DR (0x0004)		7	6	5	4	3	2	1	0
Bit Symbol		P47	P46	P45	P44	P43	P42	P41	P40
Read/Write		R/W	R/W	R/W	R/W	R/W	R/W	R/W	R/W
After reset		0	0	0	0	0	0	0	0
Function	0:	Outputs L level when the output mode is selected.							
	1:	Outputs H level when the output mode is selected.							

Port P4 input/output control

P4CR (0x0F1E)		7	6	5	4	3	2	1	0
Bit Symbol		P4CR7	P4CR6	P4CR5	P4CR4	P4CR3	P4CR2	P4CR1	P4CR0
Read/Write		R/W	R/W	R/W	R/W	R/W	R/W	R/W	R/W
After reset		0	0	0	0	0	0	0	0
Function	0:	Input mode (port input)							
		AIN7 (I)	AIN6 (I)	AIN5 (I)	AIN4 (I)	AIN3 (I)	AIN2 (I)	AIN1 (I)	AIN0 (I)
	1:	Output mode (port output)							

Note 1: Symbol "I" means secondary function input.

Note 2: When the key-on wakeup input (KWli) is enabled (KWUCR0<KWlEN>="1"), there is no need to set P4CRi. (i=3 to 0)

Port P4 function control

P4FC (0x0F38)		7	6	5	4	3	2	1	0
Bit Symbol		P4FC7	P4FC6	P4FC5	P4FC4	P4FC3	P4FC2	P4FC1	P4FC0
Read/Write		R/W	R/W	R/W	R/W	R/W	R/W	R/W	R/W
After reset		0	0	0	0	0	0	0	0
Function	0:	Port function							
	1:	AIN7 (I)	AIN6 (I)	AIN5 (I)	AIN4 (I)	AIN3 (I)	AIN2 (I)	AIN1 (I)	AIN0 (I)

Note 1: When the key-on wakeup input (KWli) is enabled, there is no need to set P4FCi.

Port P4 built-in pull-up resistor control

P4PU (0x0F2B)		7	6	5	4	3	2	1	0
Bit Symbol		P4PU7	P4PU6	P4PU5	P4PU4	P4PU3	P4PU2	P4PU1	P4PU0
Read/Write		R/W	R/W	R/W	R/W	R/W	R/W	R/W	R/W
After reset		0	0	0	0	0	0	0	0
Function	0:	The built-in pull-up resistor is not connected.							
	1:	The built-in pull-up resistor is connected. (The resistor is connected only when the key-on wakeup input (KWli) is enabled or the port is used in the input mode (P4FCi="0" and P4CRi="0"). Under any other conditions, setting to "1" does not make the resistor connected.)							

Port P4 input data

P4PRD (0x0011)		7	6	5	4	3	2	1	0
Bit Symbol		P4PRD7	P4PRD6	P4PRD5	P4PRD4	P4PRD3	P4PRD2	P4PRD1	P4PRD0
Read/Write		R	R	R	R	R	R	R	R
After reset		*	*	*	*	*	*	*	*
Function		If the port is in the input mode, the contents of the port are read. If not, "0" is read.							

Table 8-10 P4PRD Read Value

Set condition		P4PRDi read value
P4CRi	P4FCi	
0	0	Contents of port
*	1	"0"
1	*	"0"

Note 1: * : Don't care

Note 2: i = 0 to 7

8.3.5 Port P7 (P75 to P70)

Port P7 is an 6-bit input/output port that can be set to input or output for each bit individually, and it is also used as the timer counter input/output, UART input/output.

Table 8-11 Port P7

	-	-	P75	P74	P73	P72	P71	P70
Secondary function	-	-	TC03 PPG03 PWM03 RXD0 SI0	TC02 PPG02 PWM02 TXD0 SO0	TC01 PPG01 PWM01	TC00 PPG00 PWM00	TCA1 PPGA1	TCA0 PPGA0

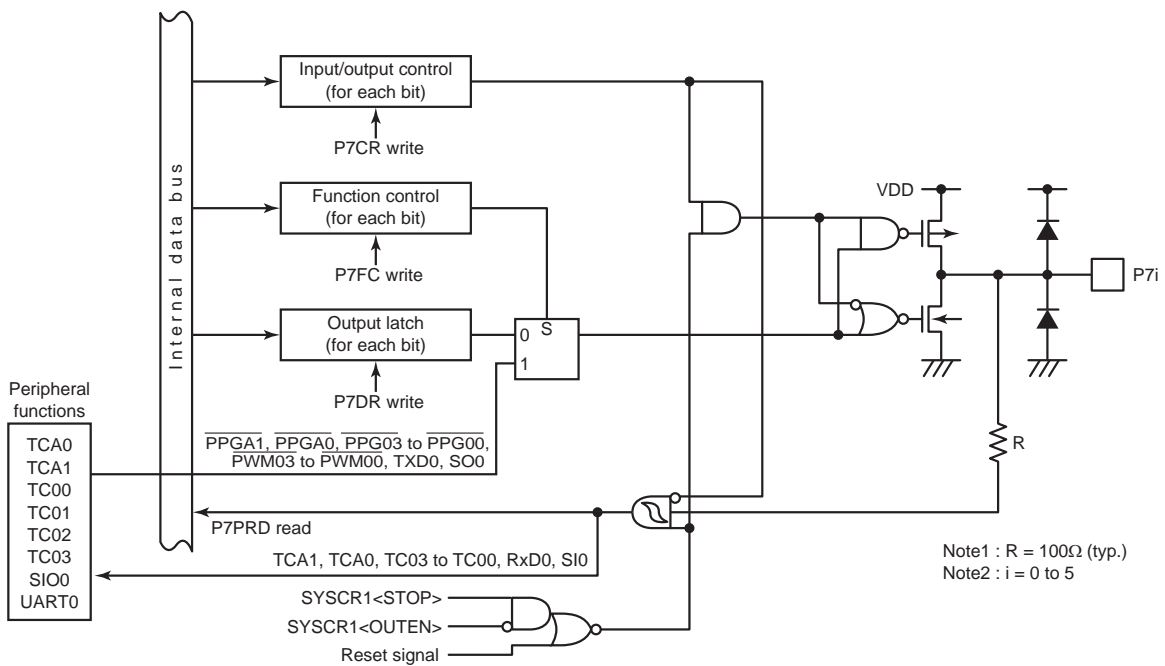


Figure 8-8 Port P7

Port P7 output latch

P7DR (0x0007)		7	6	5	4	3	2	1	0
Bit Symbol		-	-	P75	P74	P73	P72	P71	P70
Read/Write		R	R	R/W	R/W	R/W	R/W	R/W	R/W
After reset		0	0	0	0	0	0	0	0
Function	0:			Outputs L level when the output mode is selected					
	1:			Outputs H level when the output mode is selected					

Port P7 input/output control

P7CR (0x0F21)		7	6	5	4	3	2	1	0
Bit Symbol		-	-	P7CR5	P7CR4	P7CR3	P7CR2	P7CR1	P7CR0
Read/Write		R	R	R/W	R/W	R/W	R/W	R/W	R/W
After reset		0	0	0	0	0	0	0	0
Function	0:	1:		Input mode (port input)					
		1:	1:	TC03(I) RXD0(I) SIO(I)	TC02(I)	TC01 (I)	TC00 (I)	TCA1 (I)	TCA0(I)
	1:	1:	1:	Output mode (port output)					
		-	-	PPG03 (O) PWM03 (O)	PPG02 (O) PWM02 (O) TXD0 (O) SO0 (O)	PPG01 (O) PWM01 (O)	PPG00 (O) PWM00 (O)	PPGA1 (O)	PPGA0 (O)

Note: Symbol "I" means secondary function input. Symbol "O" means secondary function output.

Port P7 function control

P7FC (0x0F3B)		7	6	5	4	3	2	1	0
Bit Symbol		-	-	P7FC5	P7FC3	P7FC3	P7FC2	P7FC1	P7FC0
Read/Write		R	R	R/W	R/W	R/W	R/W	R/W	R/W
After reset		0	0	0	0	0	0	0	0
Function	0:			Port function					
	1:			PPG03 (O) PWM03 (O)	PPG02 (O) PWM02 (O) TXD0(O) SO0(O)	PPG01 (O) PWM01 (O)	PPG00 (O) PWM00 (O)	PPGA1 (O)	PPGA0 (O)

Port P7 input data

P7PRD (0x0014)		7	6	5	4	3	2	1	0
Bit Symbol		-	-	P7PRD5	P7PRD4	P7PRD3	P7PRD2	P7PRD1	P7PRD0
Read/Write		R	R	R	R	R	R	R	R
After reset		0	0	*	*	*	*	*	*
Function		If the port is used in the input mode, the contents of the port are read. If not, "0" is read.							

Table 8-12 P7PRD Read Value

Set condition	P7PRDi read value
P7CRi	
0	Contents of port
1	"0"

Note 1: *: Don't care

Note 2: i = 0 to 5



8.3.6 Port P8 (P87 to P80)

Port P8 is a 8-bit input/output port that can be set to input or output for each bit individually, and it is also used as the devider output, motor control input/output.

Table 8-13 Port P8

	P87	P86	P85	P84	P83	P82	P81	P80
Secondary function	$\overline{\text{EMG1}}$	U1	V1	W1	X1	Y1	Z1	DBOUT1 DVO

After Reset is released, P87 is available as an EMG1 input and Port output is inhibited if low level is detected by this pin. Therefore, even in case P87 is used as a general purpose I/O port, it must be needed to pull up P87 to High Level. In order to set P87 as a general I/O port, Port function with keeping High level must be changed as follows.

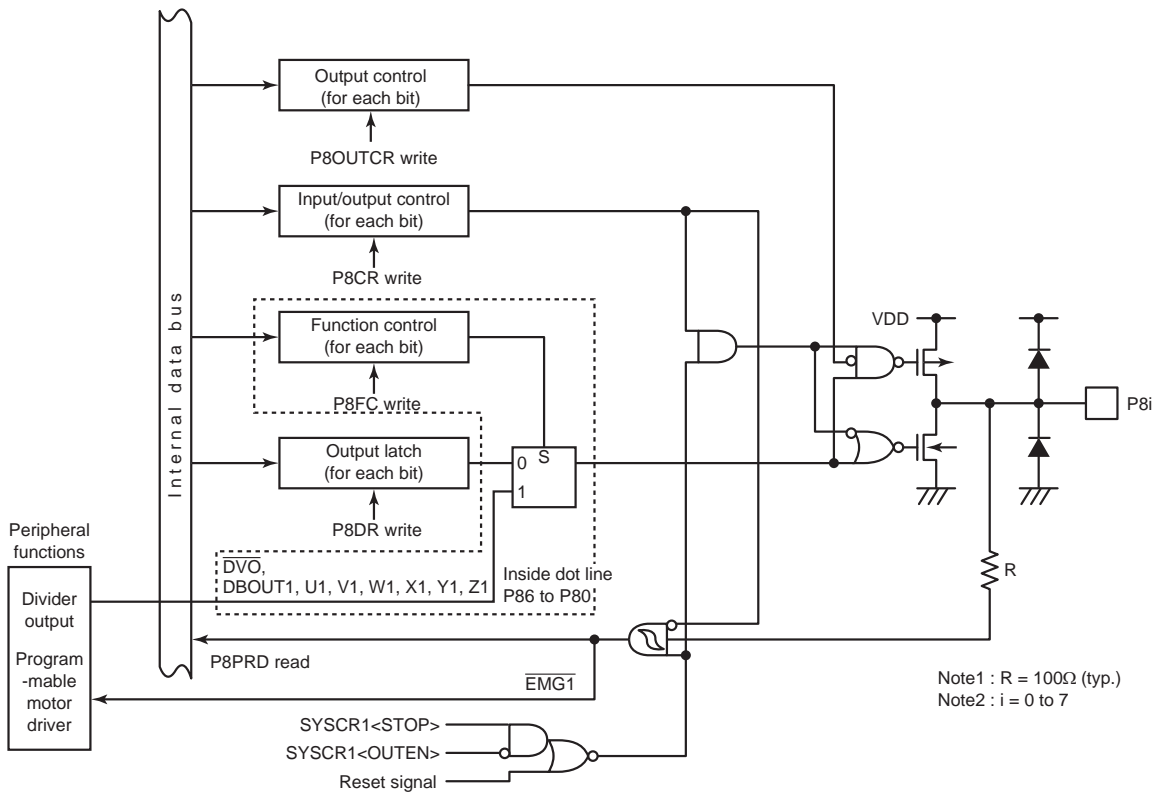
1. Start PLL and provide fpll(fx) clock to PMD circuit.
2. Set POFFCR4<PMDEN1>="1" and enable PMD circuit operation.
3. Disable EMG protection circuit function.
4. Disable PMD circuit operation by setting POFFCR4<PMDEN1>="0"
5. Stop PLL after stopping supply of fpll(fx) clock to PMD circuit.
6. Set the function for a general I/O operation.

Example :Set P87 as an output port and output "1"

```

; Enable PMD operation.
; Operate PLL and provide clock to PMD circuit.
        LD    (PLLCR0), 0x06    ; Set the rockup count to 210.
        LD    (PLLCR1), 0x80    ; Operate clock and rockup counter circuit.
loop:   LD    A, (PLLCR1)        ; Read PLLCR1.
        AND  A, 0xC0            ; PLLCR1<LUPFG> = 1 ?
        CMP  A, 0xC0
        JP   NZ, loop          ; Polling until rockup finish.
        LD    (PLLCR0), 0x07    ; Provide clock to PMD circuit.
; Enable PMD operation.
        LD    (POFFCR4), 0x10   ; Set <PMD1EN>="1" and enable PMD operation.
; Disable EMG protection circuit operation.
        LD    (EMGREL), 0x5A    ; EMG protection inhibit code (1)
        LD    (EMGREL), 0xA5    ; EMG protection inhibit code (2)
        LD    (EMGCRA), 0x00    ; Set <EMGEN>="0" and disable PMD operation.
; Disable PMD circuit operation
        LD    (POFFCR4), 0x00   ; Set <PMD1EN>="0" and disable PMD operation.
; Stop clock to PMD circuit and stop PLL operation.
        LD    (PLLCR0), 0x06    ; Stop clock to PMD circuit.
        LD    (PLLCR1), 0x00    ; Stop clock.
; Set as a general I/O port
        LD    (P8DR), 0x00      ; Set P87 output data to Low level.
        LD    (P8CR), 0x80      ; Output Low level from P87.

```



Note1 : R = 100Ω (typ.)
 Note2 : i = 0 to 7

Figure 8-9 Port P8



Port P8 output latch

P8DR (0x0008)		7	6	5	4	3	2	1	0
Bit Symbol		P87	P86	P85	P84	P83	P82	P81	P80
Read/Write		R/W	R/W	R/W	R/W	R/W	R/W	R/W	R/W
After reset		0	0	0	0	0	0	0	0
Function	0:	Outputs L level when the output mode is selected.							
	1:	Outputs H level when the output mode is selected. (Hi-Z is also available by P8OUTCR register setting.)							

Port P8 input/output control

P8CR (0x0F22)		7	6	5	4	3	2	1	0
Bit Symbol		P8CR7	P8CR6	P8CR5	P8CR4	P8CR3	P8CR2	P8CR1	P8CR0
Read/Write		R/W	R/W	R/W	R/W	R/W	R/W	R/W	R/W
After reset		0	0	0	0	0	0	0	0
Function	0:	Input mode (port input)							
		EMG1(I)	-	-	-	-	-	-	-
	1:	Output mode (port output)							
		-	U1(O)	V1(O)	W1(O)	X1(O)	Y1(O)	Z1(O)	DBOUT1 (O) DVO (O)

Note: Symbol "I" means secondary function input. Symbol "O" means secondary function output.

Port P8 function control

P8FC (0x0F3C)		7	6	5	4	3	2	1	0
Bit Symbol		-	P8FC6	P8FC5	P8FC4	P8FC3	P8FC2	P8FC1	P8FC0
Read/Write		R	R/W	R/W	R/W	R/W	R/W	R/W	R/W
After reset		0	0	0	0	0	0	0	0
Function	0:	Port function							
	1:		U1(O)	V1(O)	W1(O)	X1(O)	Y1(O)	Z1(O)	DBOUT1 (O) DVO (O)

Port P8 output control

P8OUTCR (0x0F49)		7	6	5	4	3	2	1	0
Bit Symbol		P8OUT7	P8OUT6	P8OUT5	P8OUT4	P8OUT3	P8OUT2	P8OUT1	P8OUT0
Read/Write		R/W	R/W	R/W	R/W	R/W	R/W	R/W	R/W
After reset		0	0	0	0	0	0	0	0
Function	0:	C-MOS output							
	1:	Open drain output							

Port P8 input data

P8PRD (0x0015)		7	6	5	4	3	2	1	0
Bit Symbol		P8PRD7	P8PRD6	P8PRD5	P8PRD4	P8PRD3	P8PRD2	P8PRD1	P8PRD0
Read/Write		R	R	R	R	R	R	R	R
After reset		*	*	*	*	*	*	*	*
Function		If the port is used in the input mode, the contents of the port are read. If not, "0" is read.							

Table 8-14 P8PRD Read Value

Set condition	P8PRDi read value
P8CRi	
0	Contents of port
1	"0"

Note 1: * : Don't care

Note 2: i = 0 to 7



8.3.7 Port P9 (P93 to P90)

Port P9 is a 4-bit input/output port that can be set to input or output for each bit individually, and it is also used as the motor control input.

Table 8-15 Port P9

	-	-	-	-	P93	P92	P91	P90
Secondary function	-	-	-	-	PDU1	PDV1	PDW1	CL1

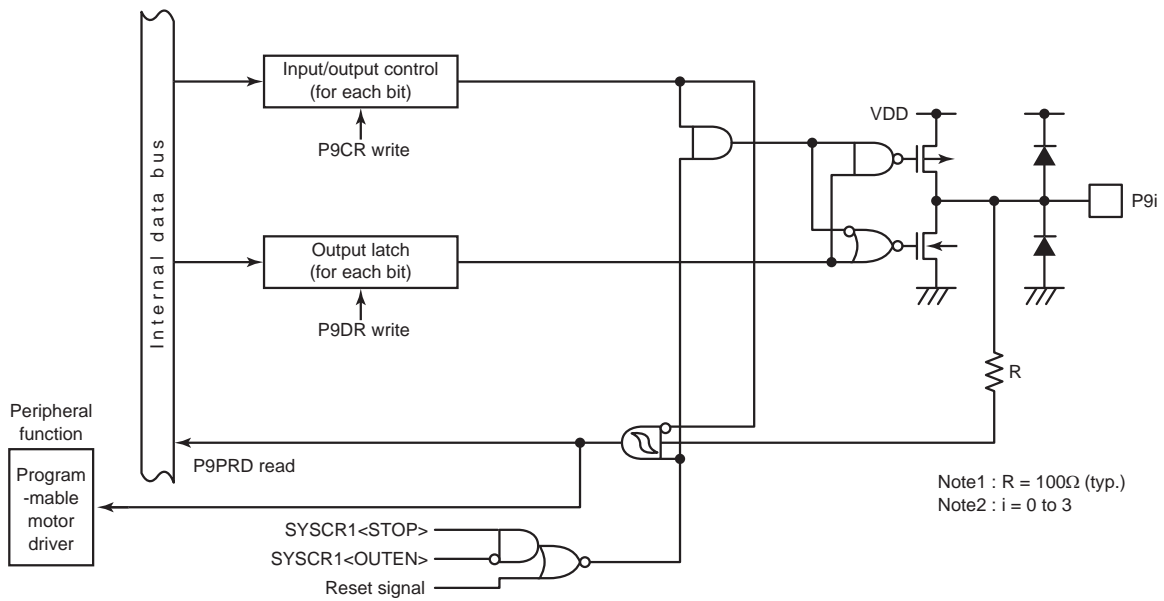


Figure 8-10 Port P9

Port P9 output latch

P9DR (0x0009)		7	6	5	4	3	2	1	0
Bit Symbol		-	-	-	-	P93	P92	P91	P90
Read/Write		R	R	R	R	R/W	R/W	R/W	R/W
After reset		0	0	0	0	0	0	0	0
Function	0:	Outputs L level when the output mode is selected.							
	1:	Outputs H level when the output mode is selected. (Serves as Hi-Z or pull-up depending on settings of P9OUTCR and P9PU.)							

Port P9 input/output control

P9CR (0x0F23)		7	6	5	4	3	2	1	0
Bit Symbol		-	-	-	-	P9CR3	P9CR2	P9CR1	P9CR0
Read/Write		R	R	R	R	R/W	R/W	R/W	R/W
After reset		0	0	0	0	0	0	0	0
Function	0:	Input mode (port input) PDU1 (I) PDV1 (I) PDW1 (I) CL1 (I)							
	1:	Output mode (port output) - - - -							

Note: Symbol "I" means secondary function input.

Port P9 input data

P9PRD (0x0016)		7	6	5	4	3	2	1	0
Bit Symbol		-	-	-	-	P9PRD3	P9PRD2	P9PRD1	P9PRD0
Read/Write		R	R	R	R	R	R	R	R
After reset		0	0	0	0	*	*	*	*
Function		If the port is used in the input mode or as the sink open drain output, the contents of the port are read. If not, "0" is read.							

Table 8-16 P9PRD Read Value

Set condition	P9PRDi read value
P9CRi	
0	Contents of port
1	"0"

Note 1: * : Don't care

Note 2: i = 0 to 3

8.4 Serial Interface Selecting Function

On the TMP89FM82, the built-in serial interface (SIO, UART and SEI) communication pins and interrupt source assignment can be changed. By this select function, total two out of three functions, i.e. one of SIO0, UART0 and one of SEI1, UART1 can be used at the same time.

The input pins of the 16-bit timer counter A0,A1 inputs (TCA0,TCA1 inputs) can be changed by using this selecting function.

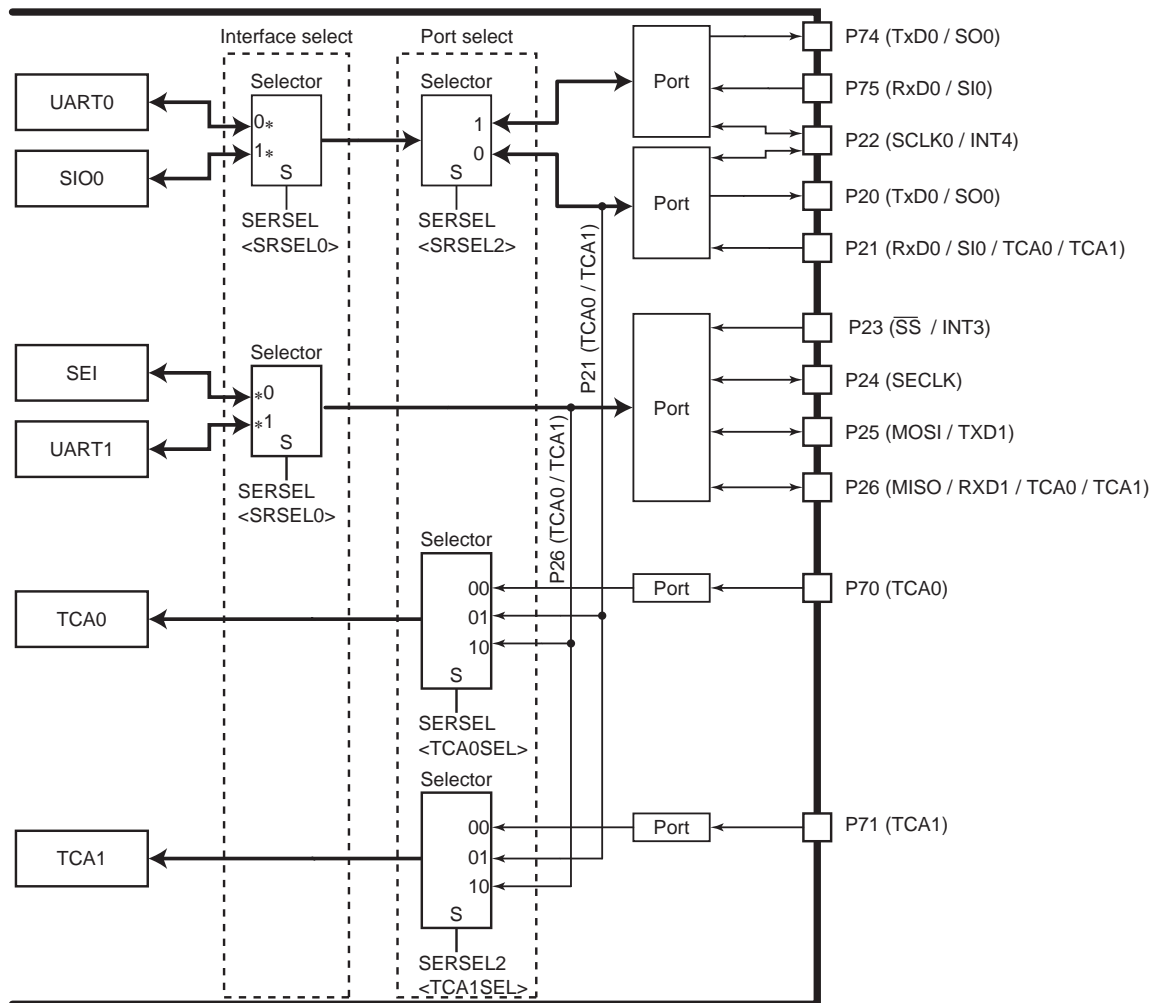


Figure 8-11 Serial Interface Selecting Function

Note 1: In order to use serial interface, it is needed to set not only SERSEL and SRESEL2 registers, but also I/O port registers. Refer : 1.3 I/O port register for detail.

Note 2: Port7 do not have a open drain output function, In case P74,P75 is assigned as UART0/SIO0, SO0,TXD0 output become CMOS level.

Serial interface selection control register

SERSEL (0x0FCB)	7		6	5	4	3	2	1	0
	Bit Symbol	TCA0SEL			SRSEL2			SRSEL0	
	Read/Write	R/W	R/W	R	R/W	R	R	R/W	R/W
After reset	0	0	0	0	0	0	0	0	0

TCA0SEL	16-bit timer counter A0 input switching	00: P70 input (TCA0) 01: P21 input (also used as RXD0) 10: P26 input (also used as RXD1) 11: Reserved
SRSEL2	Select UART0/SIO0 input/output port	0: Select P20, P21 1: Select P74, P75
SRSEL0	Serial interface selection 0	00: Select UART0, SEI (assign UART0 to IL6,IL7) 01: Select UART0, UART1 (assign UART0 to IL6,IL7) 10: Select SIO0, SEI (assign SIO0 to IL6) 11: Select SIO0,UART1 (assign SIO0 to IL6)

- Note 1: The operation for changing SERSEL, SERSEL2 must be executed while the applicable serial interface and timer counter operations are stopped. If SERSEL SERSEL2 is switched during operation of these peripheral functions, each peripheral function may receive (transmit) unexpected data and operate improperly.
- Note 2: It is recommended to clear the interrupt latch for the applicable serial interface immediately after changing SERSEL<SRSEL0>. Since the Interrupt latches are common for INTRXD and INTSIO, if an interrupt occurs before or after SERSEL<SRSEL0> is switched, it is difficult to tell which function has caused the interrupt.
- Note 3: In case of timer counter measurement for RXD0/SIO input signal, set SERSEL<SRSEL2>="0" to assign UART0/SIO0 to P20,P21. If P74,P75 are selected by SERSEL<SRSEL2>="1", it is not able to do the measurement by timer counter.
- Note 4: In case P74,P75 is assigned to UART0/SIO0, TXD0,SO0 output become CMOS level (No open drain output).

Serial interface selection control register

SERSEL2 (0x0F79)	7		6	5	4	3	2	1	0
	Bit Symbol	TCA1SEL		-	-	-	-	-	
	Read/Write	R/W	R/W	R	R	R	R	R	R
After reset	0	0	0	0	0	0	0	0	0

TCA1SEL	16-bit timer counter A1 input switching	00: P71 input (TCA1) 01: P21 input (also used as RXD0) 10: P26 input (also used as RXD1) 11: Reserved
---------	---	--

9. Special Function Registers

The TMP89FM82 adopts the memory mapped I/O system, and all peripheral hardware data control and transfer operations are performed through the special function registers (SFR). SFR1 is mapped on addresses 0x0000 to 0x003F, SFR2 is mapped on addresses 0x0F00 to 0x0FFF, and SFR3 is mapped on addresses 0x0E40 to 0x0EFF.

9.1 SFR1 (0x0000 to 0x003F)

Table 9-1 SFR1 (0x0000 to 0x003F)

Address	Register Name	Address	Register Name
0x0000	P0DR	0x0020	SIO0SR
0x0001	P1DR	0x0021	SIO0BUF
0x0002	P2DR	0x0022	Reserved
0x0003	Reserved	0x0023	Reserved
0x0004	P4DR	0x0024	Reserved
0x0005	Reserved	0x0025	Reserved
0x0006	Reserved	0x0026	T00REG
0x0007	P7DR	0x0027	T01REG
0x0008	P8DR	0x0028	T00PWM
0x0009	P9DR	0x0029	T01PWM
0x000A	Reserved	0x002A	T00MOD
0x000B	Reserved	0x002B	T01MOD
0x000C	Reserved	0x002C	T001CR
0x000D	P0PRD	0x002D	TA0DRAL
0x000E	P1PRD	0x002E	TA0DRAH
0x000F	P2PRD	0x002F	TA0DRBL
0x0010	Reserved	0x0030	TA0DRBH
0x0011	P4PRD	0x0031	TA0MOD
0x0012	Reserved	0x0032	TA0CR
0x0013	Reserved	0x0033	TA0SR
0x0014	P7PRD	0x0034	ADCCR1
0x0015	P8PRD	0x0035	ADCCR2
0x0016	P9PRD	0x0036	ADCDRL
0x0017	Reserved	0x0037	ADCDRH
0x0018	Reserved	0x0038	DVOCR
0x0019	Reserved	0x0039	TBTCTCR
0x001A	UART0CR1	0x003A	EIRL
0x001B	UART0CR2	0x003B	EIRH
0x001C	UART0DR	0x003C	EIRE
0x001D	UART0SR	0x003D	EIRD
0x001E	TD0BUF/RD0BUF	0x003E	EIRC
0x001F	SIO0CR	0x003F	PSW

Note 1: Do not access reserved addresses by the program.

9.2 SFR2 (0x0F00 to 0x0FFF)

Table 9-2 SFR2 (0x0F00 to 0x0F7F)

Address	Register Name	Address	Register Name	Address	Register Name	Address	Register Name
0x0F00	Reserved	0x0F20	Reserved	0x0F40	Reserved	0x0F60	Reserved
0x0F01	Reserved	0x0F21	P7CR	0x0F41	Reserved	0x0F61	Reserved
0x0F02	Reserved	0x0F22	P8CR	0x0F42	Reserved	0x0F62	Reserved
0x0F03	Reserved	0x0F23	P9CR	0x0F43	P2OUTCR	0x0F63	Reserved
0x0F04	Reserved	0x0F24	Reserved	0x0F44	Reserved	0x0F64	Reserved
0x0F05	Reserved	0x0F25	Reserved	0x0F45	Reserved	0x0F65	Reserved
0x0F06	Reserved	0x0F26	Reserved	0x0F46	Reserved	0x0F66	Reserved
0x0F07	Reserved	0x0F27	P0PU	0x0F47	Reserved	0x0F67	Reserved
0x0F08	Reserved	0x0F28	P1PU	0x0F48	Reserved	0x0F68	Reserved
0x0F09	Reserved	0x0F29	P2PU	0x0F49	P8OUTCR	0x0F69	Reserved
0x0F0A	Reserved	0x0F2A	Reserved	0x0F4A	Reserved	0x0F6A	Reserved
0x0F0B	Reserved	0x0F2B	P4PU	0x0F4B	Reserved	0x0F6B	Reserved
0x0F0C	Reserved	0x0F2C	Reserved	0x0F4C	Reserved	0x0F6C	Reserved
0x0F0D	Reserved	0x0F2D	Reserved	0x0F4D	Reserved	0x0F6D	Reserved
0x0F0E	Reserved	0x0F2E	Reserved	0x0F4E	Reserved	0x0F6E	Reserved
0x0F0F	Reserved	0x0F2F	Reserved	0x0F4F	Reserved	0x0F6F	Reserved
0x0F10	Reserved	0x0F30	Reserved	0x0F50	Reserved	0x0F70	Reserved
0x0F11	Reserved	0x0F31	Reserved	0x0F51	Reserved	0x0F71	Reserved
0x0F12	Reserved	0x0F32	Reserved	0x0F52	Reserved	0x0F72	Reserved
0x0F13	Reserved	0x0F33	Reserved	0x0F53	Reserved	0x0F73	Reserved
0x0F14	Reserved	0x0F34	P0FC	0x0F54	UART1CR1	0x0F74	POFFCR0
0x0F15	Reserved	0x0F35	Reserved	0x0F55	UART1CR2	0x0F75	POFFCR1
0x0F16	Reserved	0x0F36	P2FC	0x0F56	UART1DR	0x0F76	POFFCR2
0x0F17	Reserved	0x0F37	Reserved	0x0F57	UART1SR	0x0F77	POFFCR3
0x0F18	Reserved	0x0F38	P4FC	0x0F58	TD1BUF/RD1BUF	0x0F78	POFFCR4
0x0F19	Reserved	0x0F39	Reserved	0x0F59	Reserved	0x0F79	SERSEL2
0x0F1A	P0CR	0x0F3A	Reserved	0x0F5A	Reserved	0x0F7A	SECR
0x0F1B	P1CR	0x0F3B	P7FC	0x0F5B	Reserved	0x0F7B	SESR
0x0F1C	P2CR	0x0F3C	P8FC	0x0F5C	Reserved	0x0F7C	SEDR
0x0F1D	Reserved	0x0F3D	Reserved	0x0F5D	Reserved	0x0F7D	Reserved
0x0F1E	P4CR	0x0F3E	Reserved	0x0F5E	Reserved	0x0F7E	PLLCR0
0x0F1F	Reserved	0x0F3F	Reserved	0x0F5F	Reserved	0x0F7F	PLLCR1

Note 1: Do not access reserved addresses by the program.

Table 9-3 SFR2 (0x0F80 to 0x0FFF)

Address	Register Name	Address	Register Name	Address	Register Name	Address	Register Name
0x0F80	Reserved	0x0FA0	Reserved	0x0FC0	Reserved	0x0FE0	ILL
0x0F81	Reserved	0x0FA1	Reserved	0x0FC1	Reserved	0x0FE1	ILH
0x0F82	Reserved	0x0FA2	Reserved	0x0FC2	Reserved	0x0FE2	ILE
0x0F83	Reserved	0x0FA3	Reserved	0x0FC3	Reserved	0x0FE3	ILD
0x0F84	Reserved	0x0FA4	Reserved	0x0FC4	KWUCR0	0x0FE4	ILC
0x0F85	Reserved	0x0FA5	Reserved	0x0FC5	Reserved	0x0FE5	Reserved
0x0F86	Reserved	0x0FA6	Reserved	0x0FC6	VDCR1	0x0FE6	Reserved
0x0F87	Reserved	0x0FA7	Reserved	0x0FC7	VDCR2	0x0FE7	Reserved
0x0F88	T02REG	0x0FA8	TA1DRAL	0x0FC8	Reserved	0x0FE8	Reserved
0x0F89	T03REG	0x0FA9	TA1DRAH	0x0FC9	Reserved	0x0FE9	Reserved
0x0F8A	T02PWM	0x0FAA	TA1DRBL	0x0FCA	Reserved	0x0FEA	Reserved
0x0F8B	T03PWM	0x0FAB	TA1DRBH	0x0FCB	SERSEL	0x0FEB	Reserved
0x0F8C	T02MOD	0x0FAC	TA1MOD	0x0FCC	IRSTSR	0x0FEC	Reserved
0x0F8D	T03MOD	0x0FAD	TA1CR	0x0FCD	WUCCR	0x0FED	Reserved
0x0F8E	T023CR	0x0FAE	TA1SR	0x0FCE	WUCDR	0x0FEE	Reserved
0x0F8F	Reserved	0x0FAF	Reserved	0x0FCF	CGCR	0x0FEF	Reserved
0x0F90	Reserved	0x0FB0	Reserved	0x0FD0	FLSCR1	0x0FF0	ILPRS1
0x0F91	Reserved	0x0FB1	Reserved	0x0FD1	FLSCR2/FLSCRM	0x0FF1	ILPRS2
0x0F92	Reserved	0x0FB2	Reserved	0x0FD2	FLSSTB	0x0FF2	ILPRS3
0x0F93	Reserved	0x0FB3	Reserved	0x0FD3	SPCR	0x0FF3	ILPRS4
0x0F94	Reserved	0x0FB4	Reserved	0x0FD4	WDCTR	0x0FF4	ILPRS5
0x0F95	Reserved	0x0FB5	Reserved	0x0FD5	WDCDR	0x0FF5	ILPRS6
0x0F96	Reserved	0x0FB6	Reserved	0x0FD6	WDCNT	0x0FF6	ILPRS7
0x0F97	Reserved	0x0FB7	FLSVPR/FLSVPM	0x0FD7	WDST	0x0FF7	ILPRS8
0x0F98	Reserved	0x0FB8	Reserved	0x0FD8	EINTCR1	0x0FF8	Reserved
0x0F99	Reserved	0x0FB9	Reserved	0x0FD9	EINTCR2	0x0FF9	Reserved
0x0F9A	Reserved	0x0FBA	Reserved	0x0FDA	EINTCR3	0x0FFA	Reserved
0x0F9B	Reserved	0x0FBB	Reserved	0x0FDB	EINTCR4	0x0FFB	Reserved
0x0F9C	Reserved	0x0FBC	Reserved	0x0FDC	SYSCR1	0x0FFC	Reserved
0x0F9D	Reserved	0x0FBD	Reserved	0x0FDD	SYSCR2	0x0FFD	Reserved
0x0F9E	Reserved	0x0FBE	Reserved	0x0FDE	SYSCR3	0x0FFE	Reserved
0x0F9F	Reserved	0x0FBF	Reserved	0x0FDF	SYSCR4/SYSSR4	0x0FFF	Reserved

Note 1: Do not access reserved addresses by the program.

9.3 SFR3 (0x0E40 to 0x0EFF)

Table 9-4 SFR3 (0x0E40 to 0x0EBF)

Address	Register Name	Address	Register Name	Address	Register Name	Address	Register Name
0x0E40	Reserved	0x0E60	Reserved	0x0E80	Reserved	0x0EA0	Reserved
0x0E41	Reserved	0x0E61	Reserved	0x0E81	Reserved	0x0EA1	Reserved
0x0E42	Reserved	0x0E62	Reserved	0x0E82	Reserved	0x0EA2	Reserved
0x0E43	Reserved	0x0E63	Reserved	0x0E83	Reserved	0x0EA3	Reserved
0x0E44	Reserved	0x0E64	Reserved	0x0E84	Reserved	0x0EA4	Reserved
0x0E45	Reserved	0x0E65	Reserved	0x0E85	Reserved	0x0EA5	Reserved
0x0E46	Reserved	0x0E66	Reserved	0x0E86	Reserved	0x0EA6	Reserved
0x0E47	Reserved	0x0E67	Reserved	0x0E87	Reserved	0x0EA7	Reserved
0x0E48	Reserved	0x0E68	Reserved	0x0E88	Reserved	0x0EA8	Reserved
0x0E49	Reserved	0x0E69	Reserved	0x0E89	Reserved	0x0EA9	Reserved
0x0E4A	Reserved	0x0E6A	Reserved	0x0E8A	Reserved	0x0EAA	Reserved
0x0E4B	Reserved	0x0E6B	Reserved	0x0E8B	Reserved	0x0EAB	Reserved
0x0E4C	Reserved	0x0E6C	Reserved	0x0E8C	Reserved	0x0EAC	Reserved
0x0E4D	Reserved	0x0E6D	Reserved	0x0E8D	Reserved	0x0EAD	Reserved
0x0E4E	Reserved	0x0E6E	Reserved	0x0E8E	Reserved	0x0EAE	Reserved
0x0E4F	Reserved	0x0E6F	Reserved	0x0E8F	Reserved	0x0EAF	Reserved
0x0E50	Reserved	0x0E70	Reserved	0x0E90	Reserved	0x0EB0	Reserved
0x0E51	Reserved	0x0E71	Reserved	0x0E91	Reserved	0x0EB1	Reserved
0x0E52	Reserved	0x0E72	Reserved	0x0E92	Reserved	0x0EB2	Reserved
0x0E53	Reserved	0x0E73	Reserved	0x0E93	Reserved	0x0EB3	Reserved
0x0E54	Reserved	0x0E74	Reserved	0x0E94	Reserved	0x0EB4	Reserved
0x0E55	Reserved	0x0E75	Reserved	0x0E95	Reserved	0x0EB5	Reserved
0x0E56	Reserved	0x0E76	Reserved	0x0E96	Reserved	0x0EB6	Reserved
0x0E57	Reserved	0x0E77	Reserved	0x0E97	Reserved	0x0EB7	Reserved
0x0E58	Reserved	0x0E78	Reserved	0x0E98	Reserved	0x0EB8	Reserved
0x0E59	Reserved	0x0E79	Reserved	0x0E99	Reserved	0x0EB9	Reserved
0x0E5A	Reserved	0x0E7A	Reserved	0x0E9A	Reserved	0x0EBA	Reserved
0x0E5B	Reserved	0x0E7B	Reserved	0x0E9B	Reserved	0x0EBB	Reserved
0x0E5C	Reserved	0x0E7C	Reserved	0x0E9C	Reserved	0x0EBC	Reserved
0x0E5D	Reserved	0x0E7D	Reserved	0x0E9D	Reserved	0x0EBD	Reserved
0x0E5E	Reserved	0x0E7E	Reserved	0x0E9E	Reserved	0x0EBE	Reserved
0x0E5F	Reserved	0x0E7F	Reserved	0x0E9F	Reserved	0x0EBF	Reserved

Note 1: Do not access reserved addresses by the program.

Table 9-5 SFR3 (0x0EC0 to 0x0EFF)

Address	Register Name	Address	Register Name	Address	Register Name	Address	Register Name
0x0EC0	PDCRA	0x0ED0	EMGCRA	0x0EE0	EDCRA	0x0EF0	Reserved
0x0EC1	PDCRB	0x0ED1	EMGCRB	0x0EE1	EDCRB	0x0EF1	Reserved
0x0EC2	PDCRC	0x0ED2	MDOUTL	0x0EE2	EDSETL	0x0EF2	Reserved
0x0EC3	SDREG	0x0ED3	MDOUTH	0x0EE3	EDSETH	0x0EF3	Reserved
0x0EC4	MTCRA	0x0ED4	MDCNTL	0x0EE4	ELDEGL	0x0EF4	Reserved
0x0EC5	MTCRB	0x0ED5	MDCNTH	0x0EE5	ELDEGH	0x0EF5	Reserved
0x0EC6	MCAPL	0x0ED6	MDPRDL	0x0EE6	AMPL	0x0EF6	Reserved
0x0EC7	MCAPH	0x0ED7	MDPRDH	0x0EE7	AMPH	0x0EF7	Reserved
0x0EC8	CMP1L	0x0ED8	CMPUL	0x0EE8	EDCAPL	0x0EF8	Reserved
0x0EC9	CMP1H	0x0ED9	CMPUH	0x0EE9	EDCAPH	0x0EF9	Reserved
0x0ECA	CMP2L	0x0EDA	CMPVL	0x0EEA	WVFMDR	0x0EFA	Reserved
0x0ECB	CMP2H	0x0EDB	CMPVH	0x0EEB	TRPWVDR	0x0EFB	Reserved
0x0ECC	CMP3L	0x0EDC	CMPWL	0x0EEC	WVFMADL	0x0EFC	Reserved
0x0ECD	CMP3H	0x0EDD	CMPWH	0x0EED	WVFMADH	0x0EFD	Reserved
0x0ECE	MDCRA	0x0EDE	DTR	0x0EEE	Reserved	0x0EFE	Reserved
0x0ECF	MDCRB	0x0EDF	EMGREL	0x0EEF	Reserved	0x0EFF	Reserved

Note 1: Do not access reserved addresses by the program.



10. Low Power Consumption Function for Peripherals

The TMP89FM82 has low power consumption registers (POFFCRn) that save power when specific peripheral functions are unused. Each bit of the low power consumption registers can be set to enable or disable each peripheral function. (n = 0, 1, 2, 3, 4)

The basic clock supply to each peripheral function is disabled for power saving, by setting the corresponding bit of the low power consumption registers (POFFCRn) to "0". (The disabled peripheral functions become unavailable.) The basic clock supply to each peripheral function is enabled and the function becomes available by setting the corresponding bit of the low power consumption registers (POFFCRn) to "1".

After reset, the low power consumption registers (POFFCRn) are initialized to "0", and thus the peripheral functions are unavailable. When each peripheral function is used for the first time, be sure to set the corresponding bit of the low power consumption registers (POFFCRn) to "1" in the initial settings of the program (before operating the control register for the peripheral function).

When a peripheral function is operating, the corresponding bit of the low power consumption registers (POFFCRn) must not be changed to "0". If it is changed, the peripheral function may operate unexpectedly.

10.1 Control

The low power consumption function is controlled by the low power consumption registers (POFFCRn). (n = 0, 1, 2, 3, 4)

Low power consumption register 0

POFFCR0 (0x0F74)	7	6	5	4	3	2	1	0
Bit Symbol	-	-	TC023EN	TC001EN	-	-	TCA1EN	TCA0EN
Read/Write	R/W	R/W	R/W	R/W	R/W	R/W	R/W	R/W
After reset	0	0	0	0	0	0	0	0

TC023EN	TC02,03 control	0	Disable
		1	Enable
TC001EN	TC00,01 control	0	Disable
		1	Enable
TCA1EN	TCA1 control	0	Disable
		1	Enable
TCA0EN	TCA0 control	0	Disable
		1	Enable

Low power consumption register 1

POFFCR1 (0x0F75)	7	6	5	4	3	2	1	0
Bit Symbol	-	-	-	-	-	-	UART1EN	UART0EN
Read/Write	R/W	R/W	R/W	R/W	R/W	R/W	R/W	R/W
After reset	0	0	0	0	0	0	0	0

UART1EN	UART1 control	0	Disable
		1	Enable
UART0EN	UART0 control	0	Disable
		1	Enable

Low power consumption register 2

POFFCR2 (0x0F76)	7	6	5	4	3	2	1	0
Bit Symbol	-	-	-	SEI0EN	-	-	-	SIO0EN
Read/Write	R/W	R/W	R/W	R/W	R/W	R/W	R/W	R/W
After reset	0	0	0	0	0	0	0	0

SEI0EN	SEI0 control	0	Disable
		1	Enable
SIO0EN	SIO0 control	0	Disable
		1	Enable

Low power consumption register 3

POFFCR3 (0x0F77)	7	6	5	4	3	2	1	0
Bit Symbol	-	-	INT5EN	INT4EN	INT3EN	INT2EN	INT1EN	INT0EN
Read/Write	R/W	R/W	R/W	R/W	R/W	R/W	R/W	R/W
After reset	0	0	0	0	0	0	0	0

INT5EN	INT5 control	0	Disable
		1	Enable
INT4EN	INT4 control	0	Disable
		1	Enable
INT3EN	INT3 control	0	Disable
		1	Enable
INT2EN	INT2 control	0	Disable
		1	Enable
INT1EN	INT1 control	0	Disable
		1	Enable
INT0EN	INT0 control	0	Disable
		1	Enable

Low power consumption register 4

POFFCR4 (0x0F78)	7	6	5	4	3	2	1	0
Bit Symbol	-	-	-	PMD1EN	-	-	-	-
Read/Write	R/W	R/W	R/W	R/W	R/W	R/W	R/W	R/W
After reset	0	0	0	0	0	0	0	0

PMD1EN	PMD1 control	0	Disable
		1	Enable

11. Divider Output ($\overline{\text{DVO}}$)

This function outputs approximately 50% duty pulses that can be used to drive the piezoelectric buzzer or other device.

11.1 Configuration

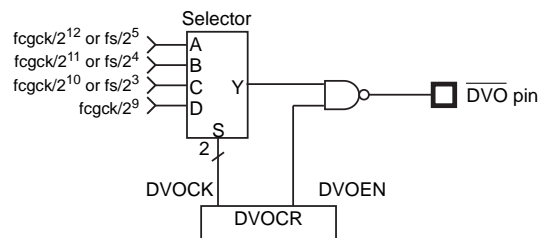


Figure 11-1 Divider Output

11.2 Control

The divider output is controlled by the divider output control register (DVOCR).

Divider output control register

DVOCR (0x0038)	7	6	5	4	3	2	1	0
Bit Symbol	-	-	-	-	-	DV0EN	DVOCK	
Read/Write	R	R	R	R	R	R/W	R/W	
After reset	0	0	0	0	0	0	0	0

DVOEN	Enables/disables the divider output	0: Disable the divider output 1: Enable the divider output			
DVOCK	Selects the divider output frequency Unit: [Hz]		NORMAL 1/2, IDLE 1/2 mode		SLOW1/2 SLEEP1 mode
			DV9CK=0	DV9CK=1	
		00	$fcgck/2^{12}$	$fs/2^5$	$fs/2^5$
		01	$fcgck/2^{11}$	$fs/2^4$	$fs/2^4$
		10	$fcgck/2^{10}$	$fs/2^3$	$fs/2^3$
11	$fcgck/2^9$	Reserved	Reserved		

Note 1: fcgck: Gear clock [Hz], fs: Low-frequency clock [Hz]

Note 2: DVOCR<DVOEN> is cleared to "0" when the operation is switched to STOP or IDLE0/SLEEP0 mode. DVOCR<DVOCK> holds the value.

Note 3: When SYSCR1<DV9CK> is "1" in the NORMAL 1/2 or IDLE 1/2 mode, the DVO frequency is subject to some fluctuations to synchronize fs and fcgck.

Note 4: Bits 7 to 3 of DVOCR are read as "0".

11.3 Function

Select the divider output frequency at DVOCR<DVOCK>.

The divider output is enabled by setting DVOCR<DVOEN> to "1". Then, The rectangular waves selected by DVOCR<DVOCK> is output from \overline{DVO} pin.

It is disabled by clearing DVOVR<DVOEN> to "0". And \overline{DVO} pin keeps "H" level.

When the operation is changed to STOP or IDLE0/SLEEP0 mode, DVOCR<DVOEN> is cleared to "0" and the \overline{DVO} pin outputs the "H" level.

The divider output source clock operates, regardless of the value of DVOCR<DVOEN>.

Therefore, the frequency of the first divider output after DVOCR<DVOEN> is set to "1" is not the frequency set at DVOCR<DVOCK>.

When the operation is changed to the software, STOP or IDLE0/SLEEP0 mode is activated and DVOCR<DVOEN> is cleared to "0", the frequency of the divider output is not the frequency set at DVOCR<DVOCK>.

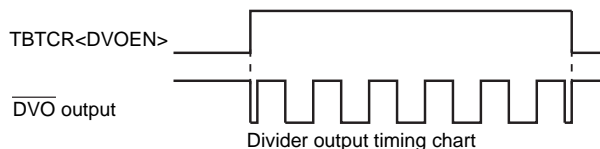


Figure 11-2 Divider Output Timing

When the operation is changed from NORMAL mode to SLOW mode or from SLOW mode to NORMAL mode, the divider output frequency does not reach the expected value due to synchronization of the gear clock (fcgck) and the low-frequency clock (fs).

Example: 1.953 kHz pulse output (fcgck = 8.0 MHz)

```
LD (DVOCR), 0y00000100 ;DVOCK ← "00", DVOEN ← "1"
```

Table 11-1 Divider Output Frequency (Example: fcgck = 8.0 MHz, fs = 32.768 kHz)

DVOCK	Divider output frequency [Hz]		
	NORMAL 1/2, IDLE 1/2 mode		SLOW1/2, SLEEP1 mode
	DV9CK = 0	DV9CK = 1	
00	1.953 k	1.024 k	1.024 k
01	3.906 k	2.048 k	2.048 k
10	7.813 k	4.096 k	4.096 k
11	15.625 k	Reserved	Reserved

12. Time Base Timer (TBT)

The time base timer generates the time base for key scanning, dynamic display and other processes. It also provides a time base timer interrupt (INTTBT) in a certain cycle.

12.1 Time Base Timer

12.1.1 Configuration

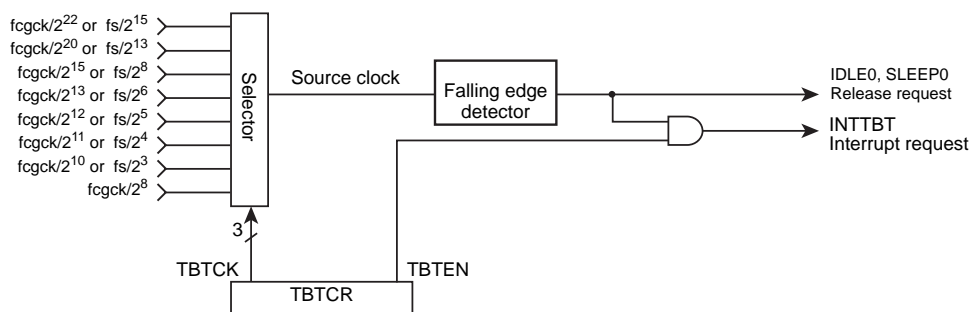


Figure 12-1 Time Base Timer Configuration

12.1.2 Control

The time base timer is controlled by the time base timer control register (TBTCR).

Time base timer control register

TBTCR (0x0039)	7	6	5	4	3	2	1	0
Bit Symbol	-	-	-	-	TBTEN	TBCK		
Read/Write	R	R	R	R	R/W	R/W		
After reset	0	0	0	0	0	0	0	0

TBTEN	Enables/disables the time base timer interrupt requests	0: Disables generation of interrupt request signals 1: Enables generation of interrupt request signals			
TBCK	Selects the time base timer interrupt frequency Unit: [Hz]	NORMAL 1/2, IDLE 1/2 mode		SLOW1/2, SLEEP1 mode	
		DV9CK = 0	DV9CK = 1		
		000	fcgck/2 ²²	fs/2 ¹⁵	fs/2 ¹⁵
		001	fcgck/2 ²⁰	fs/2 ¹³	fs/2 ¹³
		010	fcgck/2 ¹⁵	fs/2 ⁸	Reserved
		011	fcgck/2 ¹³	fs/2 ⁵	Reserved
		100	fcgck/2 ¹²	fs/2 ⁵	Reserved
		101	fcgck/2 ¹¹	fs/2 ⁴	Reserved
		110	fcgck/2 ¹⁰	fs/2 ³	Reserved
111	fcgck/2 ⁸	Reserved	Reserved		

Note 1: fcgck : Gear clock [Hz], fs : Low-frequency clock [Hz]

Note 2: When the operation is changed to the STOP mode, TBTCR<TBTEN> is cleared to "0" and TBTCR<TBCK> maintains the value.

Note 3: TBTCR<TBCK> should be set when TBTCR<TBTEN> is "0".

Note 4: When SYSCR1<DV9CK> is "1" in the NORMAL 1/2 or IDLE1/2 mode, the interrupt request is subject to some fluctuations to synchronize fs and fcgck.

Note 5: Bits 7 to 4 of TBTCR are read as "0".

12.1.3 Functions

Select the source clock frequency for the time base timer by TBTCR<TBTCCK>. TBTCR<TBTCCK> should be changed when TBTCR<TBTEN> is "0". Otherwise, the INTTBT interrupt request is generated at unexpected timing.

Setting TBTCR<TBTEN> to "1" causes interrupt request signals to occur at the falling edge of the source clock. When TBTCR<TBTEN> is cleared to "0", no interrupt request signal will occur.

When the operation is changed to the STOP mode, TBTCR<TBTEN> is cleared to "0".

The source clock of the time base timer operates regardless of the TBTCR<TBTEN> value.

A time base timer interrupt is generated at the first falling edge of the source clock after a time base timer interrupt request is enabled. Therefore, the period from when the time TBTCR<TBTEN> is set to "1" to the time when the first interrupt request occurs is shorter than the frequency period set at TBTCR<TBTCCK>.

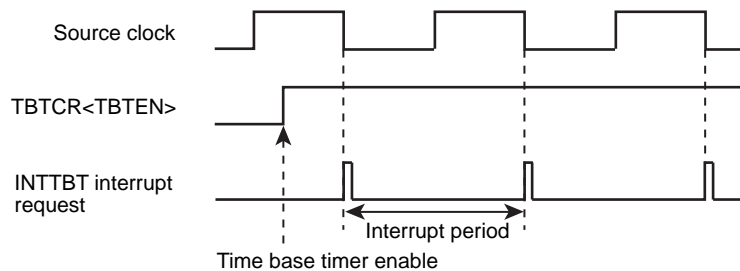


Figure 12-2 Time Base Timer Interrupt

When the operation is changed from NORMAL mode to SLOW mode or from SLOW mode to NORMAL mode, The interrupt request will not occur at the expected timing due to synchronization of the gear clock (fcgck) and the low-frequency clock (fs). It is recommended that the operation mode is changed when TBTCR<TBTEN> is "0".

Table 12-1 Time Base Timer Interrupt Frequency (Example: when fcgck = 8.0 MHz and fs = 32.768 kHz)

TBTCCK	Time base timer interrupt frequency [Hz]		
	NORMAL1/2, IDLE1/2 mode	NORMAL1/2, IDLE1/2 mode	SLOW1/2, SLEEP1 mode
	DV9CK = 0	DV9CK = 1	
000	1.91	1	1
001	7.63	4	4
010	244.14	128	Reserved
011	976.56	512	Reserved
100	1953.13	1024	Reserved
101	3906.25	2048	Reserved
110	7812.5	4096	Reserved
111	31250	Reserved	Reserved

Example: Set the time base timer interrupt frequency to $fcgck/2^{15}$ [Hz] and enable interrupts.

```
DI                                     ;IMF ← 0
SET  (EIRL), 5                         ;Set the interrupt enable register
EI                                     ;IMF ← 1
LD   (TBTCR), 0y00000010               ;Set the interrupt frequency
LD   (TBTCR), 0y00001010               ;Enable generation of interrupt request signals
```



13. 16-bit Timer Counter (TCA)

The TMP89FM82 contains 2 channels of high-performance 16-bit timer counters (TCA).

This chapter describes the 16-bit timer counter A0. For the 16-bit timer counter A1, replace the SFR addresses and pin names, as shown in Table 13-1 and Table 13-2.

Table 13-1 SFR Address Assignment

	TAxDRAL (Address)	TAxDRAH (Address)	TAxDRBL (Address)	TAxDRBH (Address)	TAxMOD (Address)	TAxCR (Address)	TAxSR (Address)	Low power consumption register
Timer counter A0	TA0DRAL (0x002D)	TA0DRAH (0x002E)	TA0DRBL (0x002F)	TA0DRBH (0x0030)	TA0MOD (0x0031)	TA0CR (0x0032)	TA0SR (0x0033)	POFFCR0 <TCA0EN>
Timer counter A1	TA1DRAL (0x0FA8)	TA1DRAH (0x0FA9)	TA1DRBL (0x0FAA)	TA1DRBH (0x0FAB)	TA1MOD (0x0FAC)	TA1CR (0x0FAD)	TA1SR (0x0FAE)	POFFCR0 <TCA1EN>

Table 13-2 Pin Names

	Timer input pin	PPG output pin
Timer counter A0	TCA0 pin	$\overline{\text{PPGA0}}$ pin
Timer counter A1	TCA1 pin	$\overline{\text{PPGA1}}$ pin

13.1 Configuration

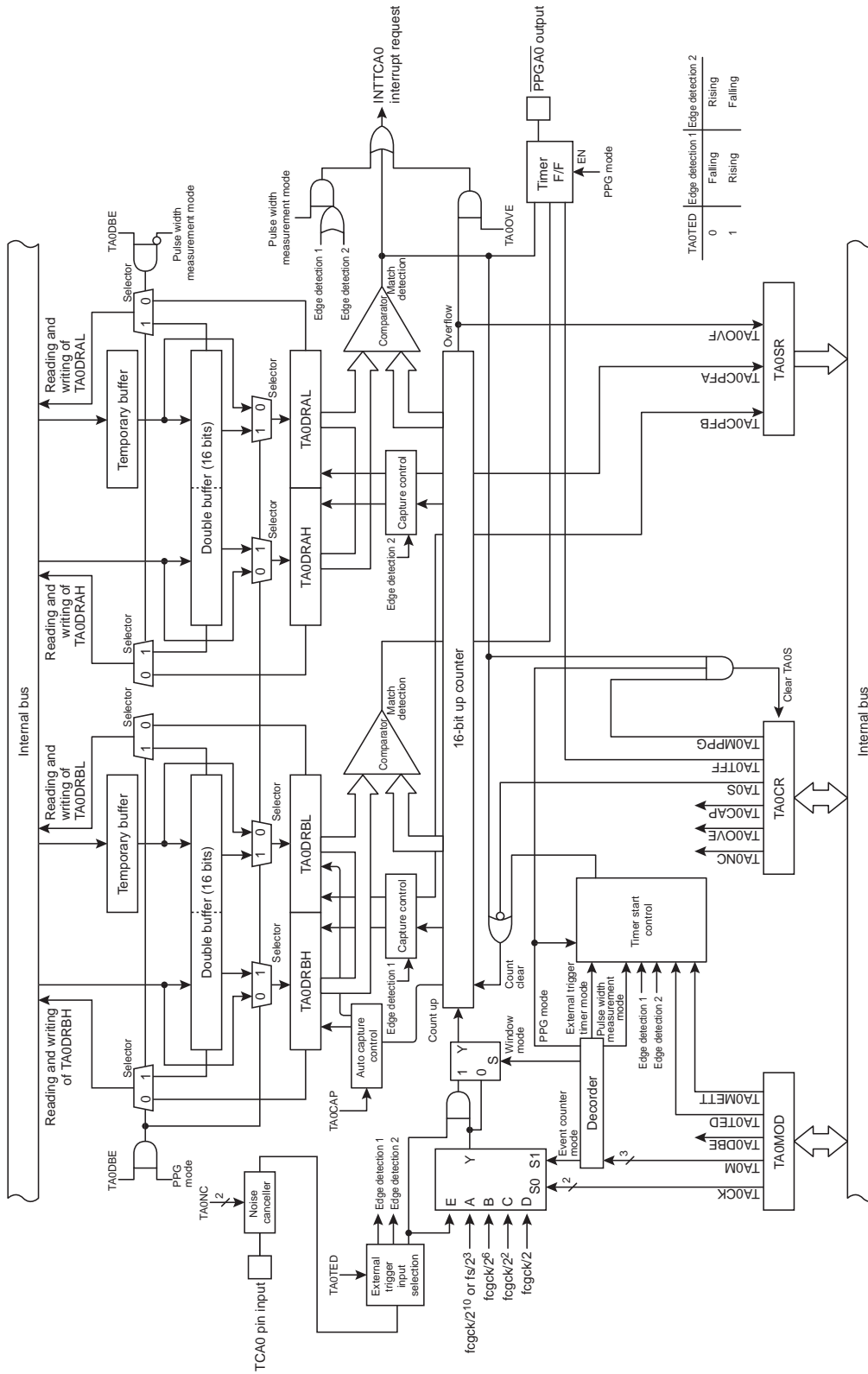


Figure 13-1 Timer Counter A0

13.2 Control

Timer Counter A0 is controlled by the low power consumption register (POFFCR0), the timer counter A0 mode register (TA0MOD), the timer counter A0 control register (TA0CR) and two 16-bit timer A0 registers (TA0DRA and TA0DRB).

Low power consumption register 0

POFFCR0 (0x0F74)	7	6	5	4	3	2	1	0
Bit Symbol	-	-	TC023EN	TC001EN	-	-	TCA1EN	TCA0EN
Read/Write	R/W	R/W	R/W	R/W	R/W	R/W	R/W	R/W
After reset	0	0	0	0	0	0	0	0

TC023EN	TC02,03 control	0	Disable
		1	Enable
TC001EN	TC00,01 control	0	Disable
		1	Enable
TCA1EN	TCA1 control	0	Disable
		1	Enable
TCA0EN	TCA0 control	0	Disable
		1	Enable

Timer counter A0 mode register

TA0MOD	7	6	5	4	3	2	1	0
(0x0031)	Bit Symbol	TA0DBE	TA0TED	TA0MCAP TA0METT	TA0CK		TA0M	
	Read/Write	R/W	R/W	R/W	R/W		R/W	
	After reset	1	0	0	0	0	0	0

TA0DBE	Double buffer control	0	Disable the double buffer		
		1	Enable the double buffer		
TA0TED	External trigger input selection	0	Rising edge/H level		
		1	Falling edge/L level		
TA0MCAP	Pulse width measurement mode control	0	Double edge capture		
		1	Single edge capture		
TA0METT	External trigger timer mode control	0	Trigger start		
		1	Trigger start & stop		
TA0CK	Timer counter 1 source clock selection		NORMAL 1/2 or IDLE 1/2 mode		SLOW1/2 or SLEEP1 mode
			SYSCR1<DV9CK>="0"	SYSCR1<DV9CK>="1"	
		00	fcgck/2 ¹⁰	fs/2 ³	fs/2 ³
		01	fcgck/2 ⁶	fcgck/2 ⁶	-
		10	fcgck/2 ²	fcgck/2 ²	-
11	fcgck/2	fcgck/2	-		
TA0M	Timer counter 1 operation mode selection	000	Timer mode		
		001	Timer mode		
		010	Event counter mode		
		011	PPG output mode (Software start)		
		100	External trigger timer mode		
		101	Window mode		
		110	Pulse width measurement mode		
		111	Reserved		

Note 1: fcgck, Gear clock [Hz]; fs, Low-frequency clock [Hz]

Note 2: Set TA0MOD in the stopped state (TA0CR<TA0S>="0"). Writing to TA0MOD is invalid during the operation (TA0CR<TA0S>="1").

Timer counter A0 control register

TA0CR		7	6	5	4	3	2	1	0
(0x0032)	Bit Symbol	TA0OVE	TA0TFF	TA0NC		-	-	TA0ACAP TA0MPPG	TA0S
	Read/Write	R/W	R/W	R/W		R	R	R/W	R/W
	After reset	0	1	0	0	0	0	0	0

TA0OVE	Overflow interrupt control	0	Generate no INTTCA0 interrupt request when the counter overflow occurs.	
		1	Generate an INTTCA0 interrupt request when the counter overflow occurs.	
TA0TFF	Timer F/F control	0	Clear	
		1	Set	
TA0NC	Noise canceller sampling interval setting		NORMAL 1/2 or IDLE 1/2 mode	SLOW1/2 or SLEEP1 mode
		00	No noise canceller	No noise canceller
		01	fcgck/2	-
		10	fcgck/2 ²	-
		11	fcgck/2 ⁸	fs/2
TA0ACAP	Auto capture function	0	Disable the auto capture	
		1	Enable the auto capture	
TA0MPPG	PPG output control	0	Continuous	
		1	One-shot	
TA0S	Timer counter A start control	0	Stop & counter clear	
		1	Start	

- Note 1: The auto capture can be used only in the timer, event counter, external trigger timer and window modes.
- Note 2: Set TA0TFF, TA0OVE and TA0NC in the stopped state (TA0S="0"). Writing is invalid during the operation (TA0S="1").
- Note 3: When the STOP mode is started, the start control (TA0S) is automatically cleared to "0" and the timer stops. Set TA0S again to use the timer counter after the release of the STOP mode.
- Note 4: When a read instruction is executed on TA0CR, bits 3 and 2 are read as "0".
- Note 5: Do not set TA0NC to "01" or "10" when the SLOW 1/2 or SLEEP 1 mode is used. Setting TA0NC to "01" or "10" stops the noise canceller and no signal is input to the timer.

Timer counter A0 status register

TA0SR (0x0033)	7	6	5	4	3	2	1	0
Bit Symbol	TA0OVF	-	-	-	-	-	TA0CPFA	TA0CPFB
Read/Write	R	R	R	R	R	R	R	R
After reset	0	0	0	0	0	0	0	0

TA0OVF	Overflow flag	0	No overflow has occurred.
		1	At least an overflow has occurred.
TA0CPFA	Capture completion flag A	0	No capture operation has been executed.
		1	At least a pulse width capture has been executed in the double-edge capture.
TA0CPFB	Capture completion flag B	0	No capture operation has been executed.
		1	At least a capture operation has been executed in the single-edge capture. At least a pulse duty width capture has been executed in the double-edge capture.

Note 1: TA0OVF, TA0CPFA and TA0CPFB are cleared to "0" automatically after TA0SR is read. Writing to TA0SR is invalid.

Note 2: When a read instruction is executed on TA0SR, bits 6 to 2 are read as "0".

Timer counter A0 register AH

TA0DRAH		15	14	13	12	11	10	9	8
(0x002E)	Bit Symbol	TA0DRAH							
	Read/Write	R/W							
	After reset	1	1	1	1	1	1	1	1

Timer counter A0 register AL

TA0DRAL		7	6	5	4	3	2	1	0
(0x002D)	Bit Symbol	TA0DRAL							
	Read/Write	R/W							
	After reset	1	1	1	1	1	1	1	1

Timer counter A0 register BH

TA0DRBH		15	14	13	12	11	10	9	8
(0x0030)	Bit Symbol	TA0DRBH							
	Read/Write	R/W							
	After reset	1	1	1	1	1	1	1	1

Timer counter A0 register BL

TA0DRBL		7	6	5	4	3	2	1	0
(0x002F)	Bit Symbol	TA0DRBL							
	Read/Write	R/W							
	After reset	1	1	1	1	1	1	1	1

Note 1: When a write instruction is executed on TA0DRAL (TA0DRBL), the set value does not become effective immediately, but is temporarily stored in the temporary buffer. Subsequently, when a write instruction is executed on the higher-level register, TA0DRAH (TA0DRBH), the 16-bit set values are collectively stored in the double buffer or TA0DRAL/H. When setting data to the timer counter A0 register, be sure to write the data into the lower level register and the higher level in this order.

Note 2: The timer counter A0 register is not writable in the pulse width measurement mode.

13.3 Low Power Consumption Function

Timer counter A0 has the low power consumption register (POFFCR0) that saves power consumption when the timer is not used.

Setting POFFCR0<TCA0EN> to "0" disables the basic clock supply to timer counter A0 to save power. Note that this makes the timer unusable. Setting POFFCR0<TCA0EN> to "1" enables the basic clock supply to timer counter A0 and allows the timer to operate.

After reset, POFFCR0<TCA0EN> is initialized to "0", and this makes the timer unusable. When using the timer for the first time, be sure to set POFFCR0<TCA0EN> to "1" in the initial setting of the program (before the timer control register is operated).

Do not change POFFCR0<TCA0EN> to "0" during the timer operation. Otherwise timer counter A0 may operate unexpectedly.

13.4 Timer Function

Timer counter A0 has six types of operation modes; timer, external trigger timer, event counter, window, pulse width measurement and programmable pulse generate (PPG) output modes.

13.4.1 Timer mode

In the timer mode, the up-counter counts up using the internal clock, and interrupts can be generated regularly at specified times.

13.4.1.1 Setting

Setting the operation mode selection TA0MOD<TA0M> to "000" or "001" activates the timer mode. Select the source clock at TA0MOD<TA0CK>.

Setting TA0CR<TA0S> to "1" starts the timer operation. After the timer is started, writing to TA0MOD and TA0CR<TA0OVE> becomes invalid. Be sure to complete the required mode settings before starting the timer.

Table 13-3 Timer Mode Resolution and Maximum Time Setting

TA0MOD <TA0CK>	Source clock [Hz]			Resolution		Maximum time setting	
	NORMAL 1/2 or IDLE 1/2 mode		SLOW1/2 or SLEEP1 mode	fcgck=8MHz	fs=32.768kHz	fcgck=8MHz	fs=32.768kHz
	SYSCR1<DV9CK> = "0"	SYSCR1<DV9CK> = "1"					
00	fcgck/2 ¹⁰	fs/2 ³	fs/2 ³	128μs	244.1μs	8.4s	16s
01	fcgck/2 ⁶	fcgck/2 ⁶	-	8μs	-	524.3ms	-
10	fcgck/2 ²	fcgck/2 ²	-	500ns	-	32.8ms	-
11	fcgck/2	fcgck/2	-	250ns	-	16.4ms	-

13.4.1.2 Operation

Setting TA0CR<TA0S> to "1" allows the 16-bit up counter to increment based on the selected internal source clock. When a match between the up-counter value and the value set to timer register A (TA0DRA) is detected, an INTTCA0 interrupt request is generated and the up counter is cleared to "0x0000". After being cleared, the up counter continues counting. Setting TA0CR<TA0S> to "0" during the timer operation causes the up counter to stop counting and be cleared to "0x0000".

13.4.1.3 Auto capture

The latest contents of the up counter can be taken into timer register B (TA0DRB) by setting TA0CR<TA0ACAP> to "1" (auto capture function). When TA0CR<TA0ACAP> is "1", the current contents of the up counter can be read by reading TA0DRBL. TA0DRBH is loaded at the same time as TA0DRBL is read. Therefore, when reading the captured value, be sure to read TA0DRBL and TA0DRBH in this order. (The capture time is the timing when TA0DRBL is read.) The auto capture function can be used whether the timer is operating or stopped. When the timer is stopped, TA0DRBL is read as "0x00". TA0DRBH keeps the captured value after the timer stops, but it is cleared to "0x00" when TA0DRBL is read while the timer is stopped.

If the timer is started with TA0CR<TA0ACAP> written to "1", the auto capture is enabled immediately after the timer is started.

Note 1: The value set to TA0CR<TA0ACAP> cannot be changed at the same time as TA0CR<TA0S> is rewritten from "1" to "0". (This setting is invalid.)

13.4.1.4 Register buffer configuration

(1) Temporary buffer

The TMP89FM82 contains an 8-bit temporary buffer. When a write instruction is executed on TA0DRAL, the data is first stored into this temporary buffer, whether the double buffer is enabled or disabled. Subsequently, when a write instruction is executed on TA0DRAH, the set value is stored into the double buffer or TA0DRAH. At the same time, the set value in the temporary buffer is stored into the double buffer or TA0DRAL. (This structure is designed to enable the set values of the lower-level and higher-level registers simultaneously.) Therefore, when setting data to TA0DRA, be sure to write the data into TA0DRAL and TA0DRAH in this order.

See Figure 13-1 for the temporary buffer configuration.

(2) Double buffer

In the TMP89FM82, the double buffer can be used by setting TA0CR<TA0DBF>. Setting TA0CR<TA0DBF> to "0" disables the double buffer. Setting TA0CR<TA0DBF> to "1" enables the double buffer.

See Figure 13-1 for the double buffer configuration.

- When the double buffer is enabled

When a write instruction is executed on TA0DRAH during the timer operation, the set value is first stored into the double buffer, and TA0DRAH/L are not updated immediately. TA0DRAH/L compare the up counter value to the last set values. If the values are matched, an INTTCA0 interrupt request is generated and the double buffer set value is stored in TA0DRAH/L. Subsequently, the match detection is executed using a new set value.

When a read instruction is executed on TA0DRAH/L, the double buffer value (the last set value) is read, rather than the TA0DRAH/L values (the current effective values).

When a write instruction is executed on TA0DRAH/L while the timer is stopped, the set value is immediately stored into both the double buffer and TA0DRAH/L.

- When the double buffer is disabled

When a write instruction is executed on TA0DRAH during the timer operation, the set value is immediately stored into TA0DRAH/L. Subsequently, the match detection is executed using a new set value.

If the values set to TA0DRAH/L are smaller than the up counter value, the match detection is executed using a new set value after the up counter overflows. Therefore, the interrupt request interval may be longer than the selected time. If that is a problem, enable the double buffer.

When a write instruction is executed on TA0DRAH/L while the timer is stopped, the set value is immediately stored into TA0DRAH/L.

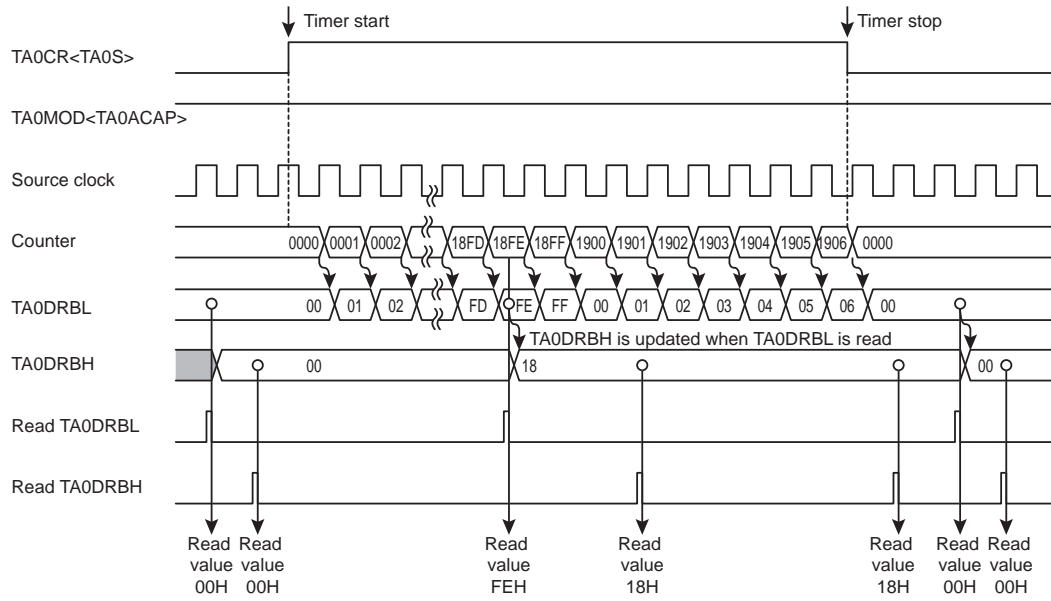


Figure 13-3 Timer Mode Timing Chart (Auto Capture)

13.4.2 External trigger timer mode

In the external trigger timer mode, the up counter starts counting when it is triggered by the input to the TCA0 pin.

13.4.2.1 Setting

Setting the operation mode selection TA0MOD<TA0M> to "100" activates the external trigger timer mode. Select the source clock at TA0MOD<TA0CK>.

Select the trigger edge at the trigger edge input selection TA0MOD<TA0TED>. Setting TA0MOD<TA0TED> to "0" selects the rising edge, and setting it to "1" selects the falling edge.

Note that this mode uses the TA0 input pin, and the TCA0 pin must be set to the input mode beforehand in port settings.

The operation is started by setting TA0CR<TA0S> to "1". After the timer is started, writing to TA0MOD and TA0CR<TA0OVE> is disabled. Be sure to complete the required mode settings before starting the timer.

13.4.2.2 Operation

After the timer is started, when the selected trigger edge is input to the TCA0 pin, the up counter increments according to the selected source clock. When a match between the up counter value and the value set to timer register A (TA0DRA) is detected, an INTTCA0 interrupt request is generated and the up counter is cleared to "0x0000". After being cleared, the up counter continues counting.

When TA0MOD<TA0METT> is "1" and the edge opposite to the selected trigger edge is detected, the up counter stops counting and is cleared to "0x0000". Subsequently, when the selected trigger edge is detected, the up counter restarts counting. In this mode, an interrupt request can be generated by detecting that the input pulse exceeds a certain pulse width. If TA0MOD<TA0METT> is "0", the detection of the selected edge and the opposite edge is ignored during the period from the detection of the specified trigger edge and the start of counting through until the match detection.

Setting TA0CR<TA0S> to "0" during the timer operation causes the up counter to stop counting and be cleared to "0x0000".

13.4.2.3 Auto capture

Refer to "13.4.1.3 Auto capture".

13.4.2.4 Register buffer configuration

Refer to "13.4.1.4 Register buffer configuration".

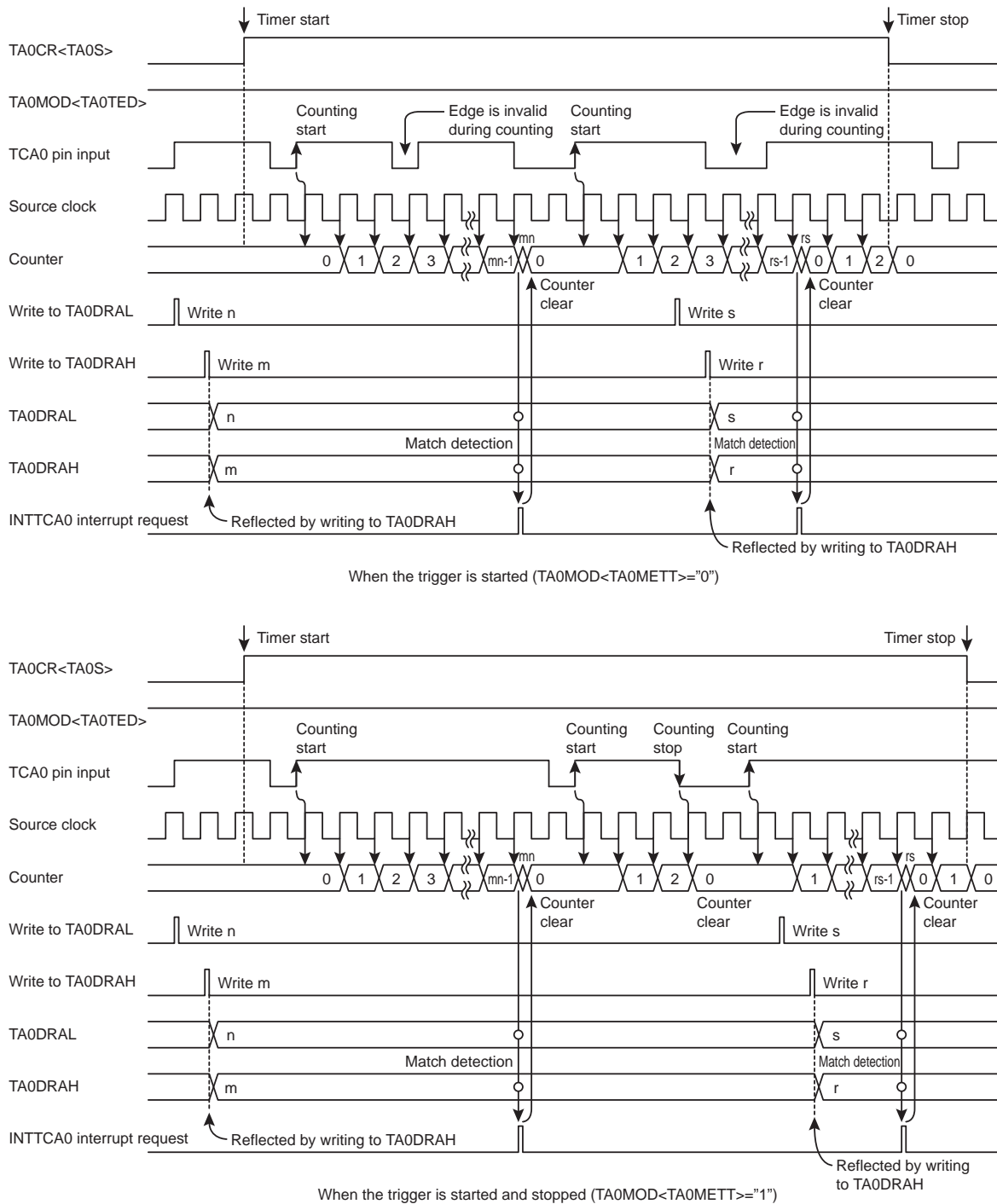


Figure 13-4 External Trigger Timer Timing Chart

13.4.3 Event counter mode

In the event counter mode, the up counter counts up at the edge of the input to the TCA0 pin.

13.4.3.1 Setting

Setting the operation mode selection TA0MOD<TA0M> to "010" activates the event counter mode.

Set the trigger edge at the external trigger input selection TA0MOD<TA0TED>. Setting TA0MOD<TA0TED> to "0" selects the rising edge, and setting it to "1" selects the falling edge for counting up.

Note that this mode uses the TA0 input pin, and the TCA0 pin must be set to the input mode beforehand in port settings.

The operation is started by setting TA0CR<TA0S> to "1". After the timer is started, writing to TA0MOD and TA0CR<TA0OVE> is disabled. Be sure to complete the required mode settings before starting the timer.

13.4.3.2 Operation

After the event counter mode is started, when the selected trigger edge is input to the TCA0 pin, the up counter increments.

When a match between the up counter value and the value set to timer register A (TA0DRA) is detected, an INTTCA0 interrupt request is generated and the up counter is cleared to "0x0000". After being cleared, the up counter continues counting and counts up at each edge of the input to the TCA0 pin. Setting TA0CR<TA0S> to "0" during the operation causes the up counter to stop counting and be cleared to "0x0000".

The maximum frequency to be supplied is $f_{cgck}/2$ [Hz] (in the NORMAL 1/2 or IDLE 1/2 mode) or $f_s/2$ [Hz] (in the SLOW 1/2 or SLEEP 1 mode), and a pulse width of two machine cycles or more is required at both the "H" and "L" levels.

13.4.3.3 Auto capture

Refer to "13.4.1.3 Auto capture".

13.4.3.4 Register buffer configuration

Refer to "13.4.1.4 Register buffer configuration".

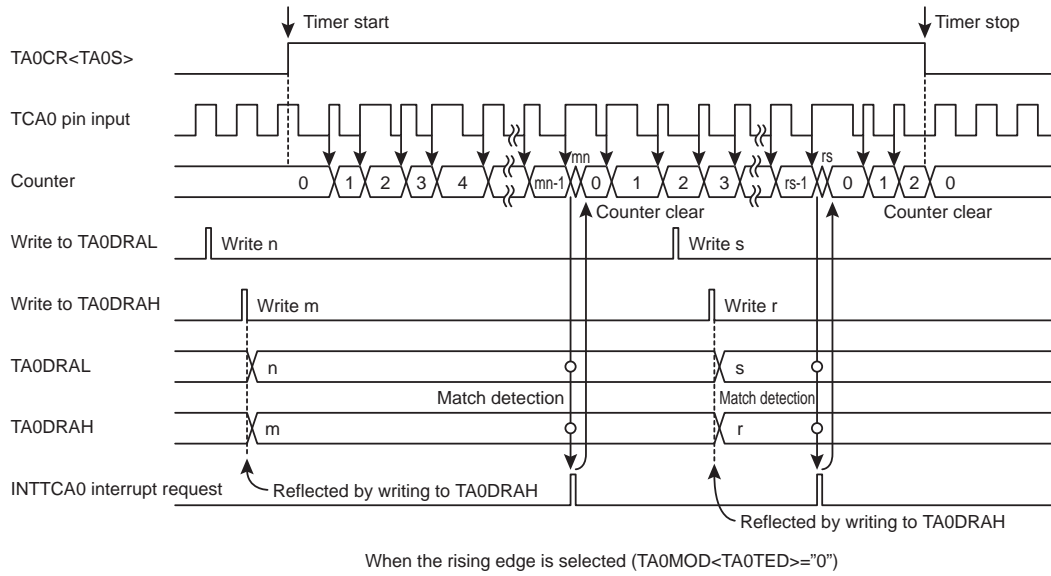


Figure 13-5 Event Count Mode Timing Chart

13.4.4 Window mode

In the window mode, the up counter counts up at the rising edge of the pulse that is logical anded product of the input pulse to the TCA0 pin (window pulse) and the internal clock.

13.4.4.1 Setting

Setting the operation mode selection TA0MOD<TA0M> to "101" activates the window mode. Select the source clock at TA0MOD<TA0CK>.

Select the window pulse level at the trigger edge input selection TA0MOD<TA0TED>. Setting TA0MOD<TA0TED> to "0" enables counting up as long as the window pulse is at the "H" level. Setting TA0MOD<TA0TED> to "1" enables counting up as long as the window pulse is at the "L" level.

Note that this mode uses the TA0 input pin, and the TCA0 pin must be set to the input mode beforehand in port settings.

The operation is started by setting TA0CR<TA0S> to "1". After the timer is started, writing to TA0MOD and TA0CR<TA0OVE> is disabled. Be sure to complete the required mode settings before starting the timer.

13.4.4.2 Operation

After the operation is started, when the level selected at TA0MOD<TA0TED> is input to the TCA0 pin, the up counter increments according to the source clock selected at TA0MOD<TA0CK>. When a match between the up counter value and the value set to timer register A (TA0DRA) is detected, an INTTCA0 interrupt request is generated and the up counter is cleared to "0x0000". After being cleared, the up counter restarts counting.

The maximum frequency to be supplied must be slow enough for the program to analyze the count value. Define a frequency pulse that is sufficiently lower than the programmed internal source clock.

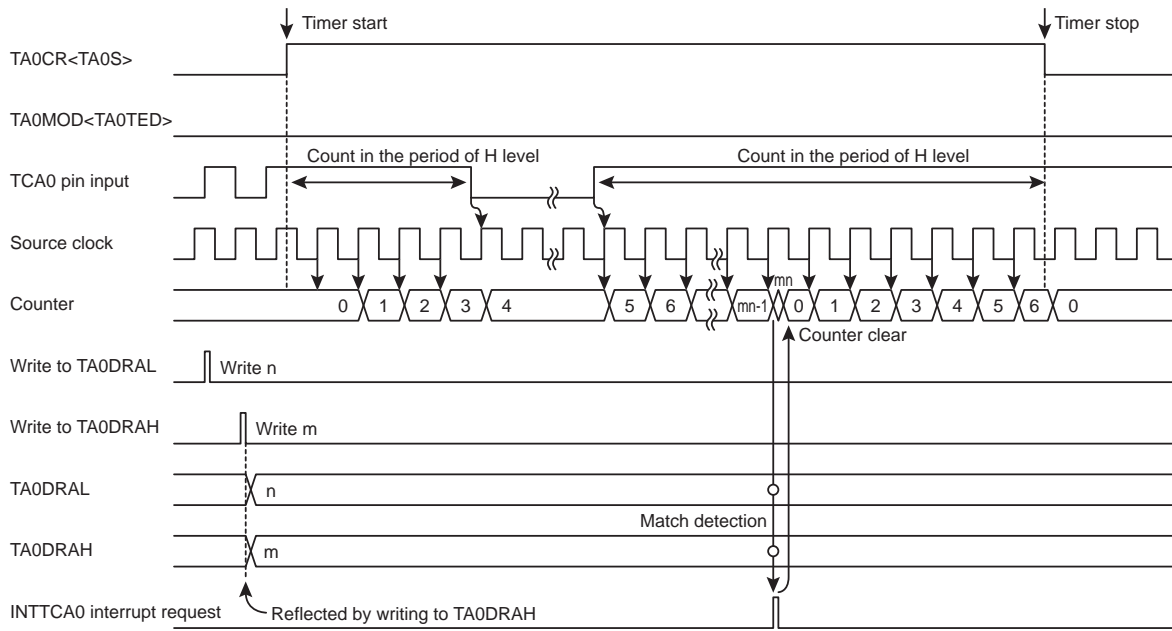
Setting TA0CR<TA0S> to "0" during the timer operation causes the up counter to stop counting and be cleared to "0x0000".

13.4.4.3 Auto capture

Refer to "13.4.1.3 Auto capture".

13.4.4.4 Register buffer configuration

Refer to "13.4.1.4 Register buffer configuration".



During the H-level counting (TA0MOD<TA0TED>="0")

Figure 13-6 Window Mode Timing Chart

13.4.5 Pulse width measurement mode

In the pulse width measurement mode, the up counter starts counting at the rising/falling edge(s) of the input to the TCA0 pin and measures the input pulse width based on the internal clock.

13.4.5.1 Setting

Setting the operation mode selection TA0MOD<TA0M> to "110" activates the pulse width measurement mode. Select the source clock at TA0MOD<TA0CK>.

Select the trigger edge at the trigger edge input selection TA0MOD<TA0TED>. Setting TA0MOD<TA0TED> to "0" selects the rising edge, and setting it to "1" selects the falling edge as a trigger to start the capture.

The operation after capturing is determined by the pulse width measurement mode control TA0MOD<TA0MCAP>. Setting TA0MOD<TA0MCAP> to "0" selects the double-edge capture. Setting TA0MOD<TA0MCAP> to "1" selects the single-edge capture.

The operation to be executed in case of an overflow of the up counter can be selected at the overflow interrupt control TA0CR<TA0OVE>. Setting TA0OVE to "1" makes an INTTCA0 interrupt request occur in case of an overflow. Setting TA0OVE to "0" makes no INTTCA0 interrupt request occur in case of an overflow.

Note that this mode uses the TA0 input pin, and the TCA0 pin must be set to the input mode beforehand in port settings.

The operation is started by setting TA0CR<TA0S> to "1". In this time, TA0DRA and TA0DRB register are initialized to "0x0000". After the timer is started, writing to TA0MOD and TA0CR<TA0OVE> is disabled. Be sure to complete the required mode settings before starting the timer.

13.4.5.2 Operation

After the timer is started, when the selected trigger edge (start edge) is input to the TCA0 pin, INTTCA0 interrupt request is generated, and then the up counter increments according to the selected source clock. Subsequently, when the edge opposite to the selected edge is detected, the up counter value is captured into TA0DRB, an INTTCA0 interrupt request is generated, and TA0SR<TA0CPFB> is set to "1". Depending on the TA0MOD<TA0MCAP> setting, the operation differs as follows:

- Double-edge capture (When TA0MOD<TA0MCAP> is "0")

The up counter continues counting up after the edge opposite to the selected edge is detected. Subsequently, when the selected trigger edge is input, the up counter value is captured into TA0DRA, an INTTCA0 interrupt request is generated, and TA0SR<TA0CPFA> is set to "1". At this time, the up counter is cleared to "0x0000".
- Single-edge capture (When TA0MOD<TA0MCAP> is "1")

The up counter stops counting up and is cleared to "0x0000" when the edge opposite to the selected edge is detected. Subsequently, when the start edge is input, INTTCA0 interrupt request is generated, and then the up counter restarts increment.

When the up counter overflows during capturing, the overflow flag TA0SR<TA0OVF> is set to "1". At this time, an INTTCA0 interrupt request occurs if the overflow interrupt control TA0CR<TA0OVE> is set to "1".

The capture completion flags (TA0SR<TA0CPFA>, TA0CPFB> and the overflow flag (TA0SR<TA0OVF>) are cleared to "0" automatically when TA0SR is read.

The captured value must be read from TA0DRB (and also from TA0DRA for the double-edge capture) before the next trigger edge is detected. If the captured value is not read, it becomes undefined. TA0DRA and TA0DRB must be read by using a 16-bit access instruction.

Setting TA0CR<TA0S> to "0" during the timer operation causes the up counter to stop counting and be cleared to "0x0000".

Note 1: After the timer is started, if the edge opposite to the selected trigger edge is detected first, no capture is executed and no INTTCA0 interrupt request occurs. In this case, the capture starts when the selected trigger edge is detected next.

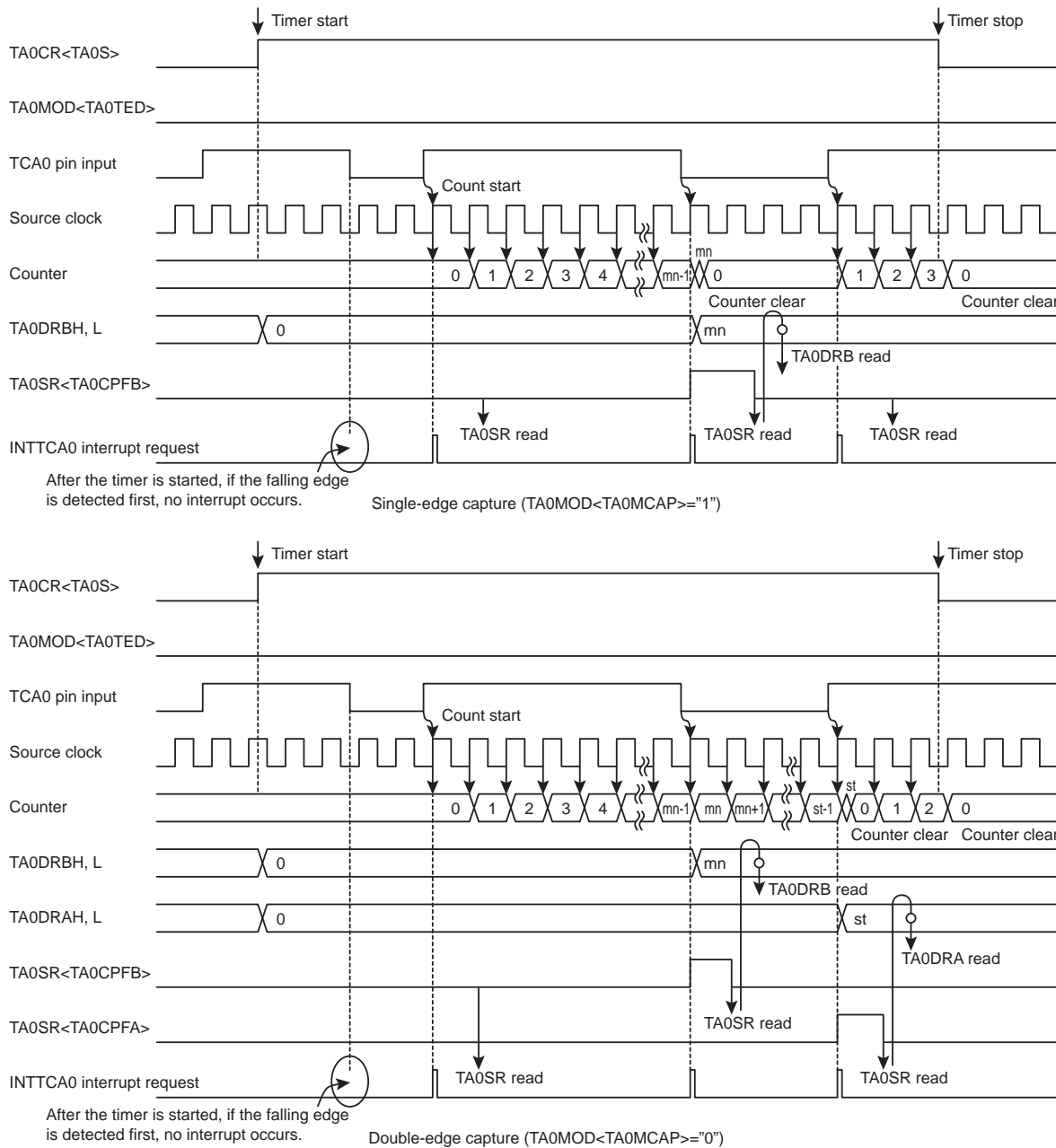


Figure 13-7 Pulse Width Measurement Mode Timing Chart

13.4.5.3 Capture process

Figure 13-8 shows an example of the capture process for INTTCA0 interrupt subroutine. The capture edge or overflow state can be easily judged by status register (TA0SR).

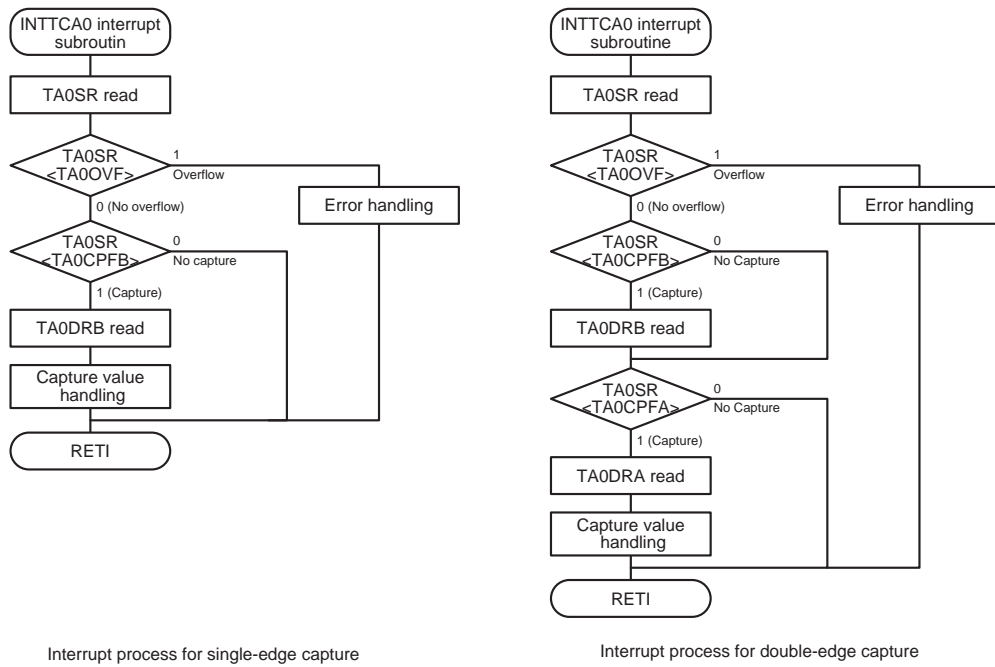


Figure 13-8 Example of capture process

13.4.6 Programmable pulse generate (PPG) mode

In the PPG output mode, an arbitrary duty pulse is output by two timer registers.

13.4.6.1 Setting

Setting the operation mode selection TA0MOD<TA0M> to "011" activates the PPG output mode. Select the source clock at TA0MOD<TA0CK>. Select continuous or one-shot PPG output at TA0CR<TA0MPPG>.

Set the PPG output cycle at TA0DRA and set the time until the output is reversed first at TA0DRB. Be sure to set register values so that TA0DRA is larger than TA0DRB.

Note that this mode uses the $\overline{\text{PPGA0}}$ pin. the $\overline{\text{PPGA0}}$ pin must be set to the output mode beforehand in port settings.

Set the initial state of the $\overline{\text{PPGA0}}$ pin at the timer flip-flop TA0CR<TA0TFF>. Setting TA0CR<TA0TFF> to "1" selects the "H" level as the initial state of the $\overline{\text{PPGA0}}$ pin. Setting TA0CR<TA0TFF> to "0" selects the "L" level as the initial state of the $\overline{\text{PPGA0}}$ pin.

The operation is started by setting TA0CR<TA0S> to "1". After the timer is started, writing to TA0MOD and TA0CR<TA0OVE, TA0TFF> is disabled. Be sure to complete the required mode settings before starting the timer.

13.4.6.2 Operation

after the timer is started, the up counter increments .

When a match between the up counter value and the value set to timer register B (TA0DRB) is detected, the $\overline{\text{PPGA0}}$ pin is changed to the "H" level if TA0CR<TA0TFF> is "0", or the $\overline{\text{PPGA0}}$ pin is changed to the "L" level if TA0CR<TA0TFF> is "1".

Subsequently, the up counter continues counting. When a match between the up counter value and the value set to timer register A (TA0DRA) is detected, the $\overline{\text{PPGA0}}$ pin is changed to the "L" level if TA0CR<TA0TEFF> is "0", or the $\overline{\text{PPGA0}}$ pin is changed to the "H" level if TA0CR<TA0TFF> is "1". At this time, an INTTCA0 interrupt request occurs. If the PPG output control TA0CR<TA0MPPG> is set to "1" (one-shot), TA0CR<TA0S> is automatically cleared to "0" and the timer stops.

If TA0CR<TA0MPPG> is set to "0" (continuous), the up counter is cleared to "0x0000" and continues counting and PPG output. When TA0CR<TA0S> is set to "0" (including the auto stop by the one-shot operation) during the PPG output, the $\overline{\text{PPGA0}}$ pin returns to the level set in TA0CR<TA0TFF>.

TA0CR<TA0MPPG> can be changed during the operation. Changing TA0CR<TA0MPPG> from "1" to "0" during the operation cancels the one-shot operation and enables the continuous operation. Changing TA0CR<TA0MPPG> from "0" to "1" during the operation clears TA0CR<TA0S> to "0" and stops the timer automatically after the current pulse output is completed.

Timer registers A and B can be set to the double buffer. Setting TA0CR<TA0DBF> to "1" enables the double buffer. When the values set to TA0DRA and TA0DRB are changed during the PPG output with the double buffer enabled, the writing to TA0DRA and TA0DRB will not immediately become effective but will become effective when a match between TA0DRA and the up counter is detected. If the double buffer is disabled, the writing to TA0DRA and TA0DRB will become effective immediately. If the written value is smaller than the up counter value, the up counter overflows. After a cycle, the counter match process is executed to reverse the output.

13.4.6.3 Register buffer configuration

(1) Temporary buffer

The TMP89FM82 contains an 8-bit temporary buffer. When a write instruction is executed on TA0DRAL (TA0DRBL), the data is first stored into this temporary buffer, whether the double buffer is enabled or disabled. Subsequently, when a write instruction is executed on TA0DRAH (TA0DRBH), the set value is stored into the double buffer or TA0DRAH (TA0DRBH). At the same time, the set value in the temporary buffer is stored into the double buffer or TA0DRAL (TA0DRBL). (This structure is designed to enable the set values of the lower-level register and the higher-level register simultaneously.) Therefore, when setting data to TA0DRA (TA0DRB), be sure to write the data into TA0DRAL and TA0DRAH (TA0DRBL and TA0DRBH) in this order.

See Figure 13-1 for the temporary buffer configuration.

(2) Double buffer

In the TMP89FM82, the double buffer can be used by setting TA0CR<TA0DBF>. Setting TA0CR<TA0DBF> to "0" disables the double buffer. Setting TA0CR<TA0DBF> to "1" enables the double buffer.

See Figure 13-1 for the double buffer configuration.

- When the double buffer is enabled

When a write instruction is executed on TA0DRAH (TA0DRBH) during the timer operation, the set value is first stored into the double buffer, and TA0DRAH/L are not updated immediately. TA0DRAH/L (TA0DRBH/L) compare the last set values to the counter value. If a match is detected, an INTTCA0 interrupt request is generated and the double buffer set value is stored into TA0DRAH/L (TA0DRBH/L). Subsequently, the match detection is executed using a new set value.

When a read instruction is executed on TA0DRAH/L (TA0DRBH/L), the double buffer value (the last set value) is read, not the TA0DRAH/L (TA0DRBH/L) values (the current effective values).

When a write instruction is executed on TA0DRAH/L (TA0DRBH/L) while the timer is stopped, the set value is immediately stored into both the double buffer and TA0DRAH/L (TA0DRBH/L).

- When the double buffer is disabled

When a write instruction is executed on TA0DRAH (TA0DRBH) during the timer operation, the set value is immediately stored in TA0DRAH/L (TA0DRBH/L). Subsequently, the match detection is executed using a new set value.

If the values set to TA0DRAH/L (TA0DRBH/L) are smaller than the up counter value, the up counter overflows and the match detection is executed using a new set value. As a result, the output pulse width may be longer than the set time. If that is a problem, enable the double buffer.

When a write instruction is executed on TA0DRAH/L (TA0DRBH/L) while the timer is stopped, the set value is immediately stored into TA0DRAH/L (TA0DRBH/L).

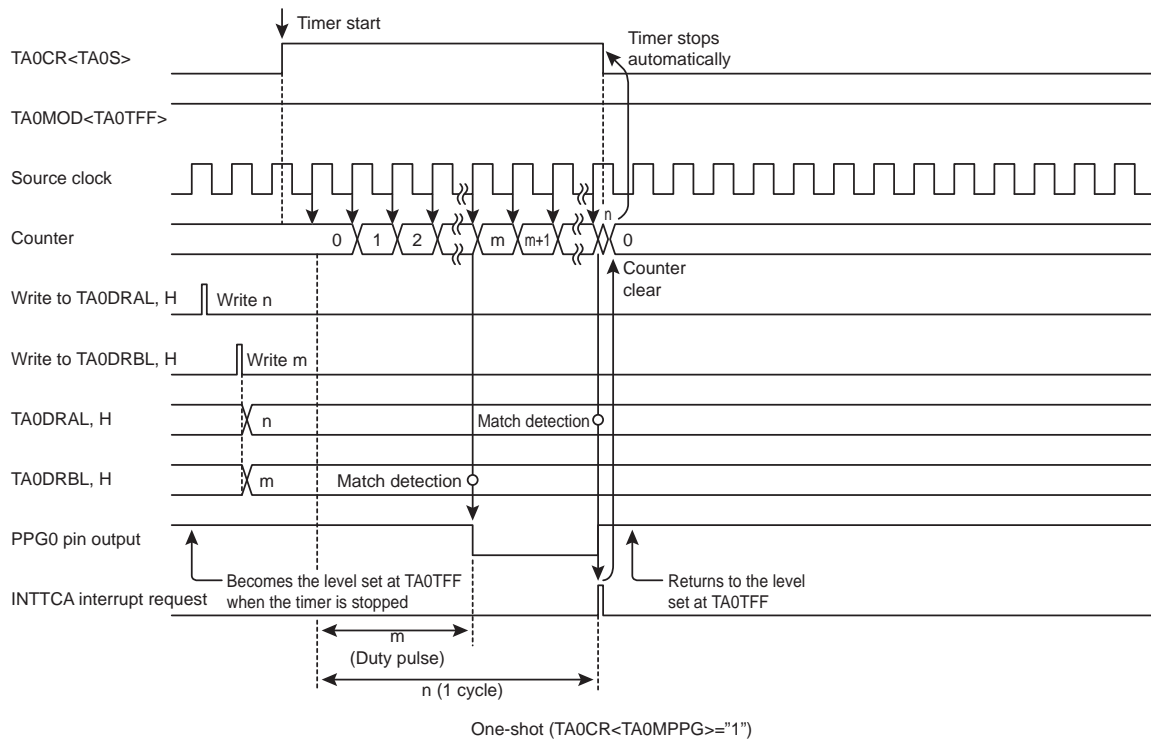
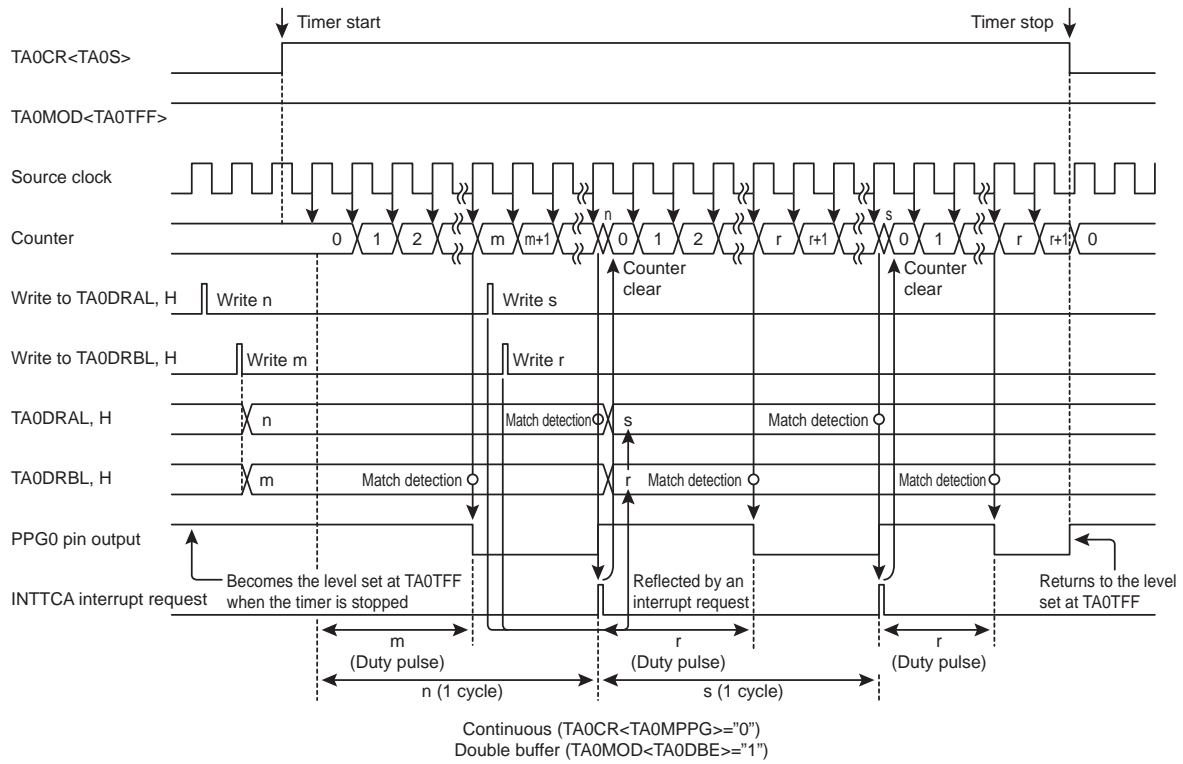


Figure 13-9 PPG Mode Timing Chart

13.5 Noise Canceller

The digital noise canceller can be used in the operation modes that use the TCA0 pin.

13.5.1 Setting

When the digital noise canceller is used, the input level is sampled at the sampling intervals set at TA0CR<TA0NC>. When the same level is detected three times consecutively, the level of the input to the timer is changed.

Setting TA0CR<TA0NC> to any values than "00" allows the noise canceller to start operation, regardless of the TA0CR<TA0S> value.

When the noise canceller is used, allow the timer to start after a period of time that is equal to four times the sampling interval after TA0CR<TA0NC> is set has elapsed. This stabilizes the input signal.

Set TA0CR<TA0NC> while the timer is stopped (TA0CR<TA0S> = "0"). When TA0CR<TA0S> is "1", writing is ignored.

In the SLOW 1/2 or SLEEP 1 mode, setting TA0CR<TA0NC> to "11" selects fs/2 as the source clock for the operation. Setting TA0CR<TA0NC> to "00" disables the noise canceller. Setting TA0CR<TA0NC> to "01" or "10" disables the TCA0 pin input.

Table 13-4 Noise Cancel Time (fcgck = 8 [MHz])

TA0NC	Sampling interval	Time removed as noise	Time regarded as signal
00	None	-	-
01	250 ns (2/fcgck)	750 ns or less	1 μs or more
10	500 ns (4/fcgck)	1.5 μs or less	2 μs or more
11	32 μs (256/fcgck)	96 μs or less	128 μs or more

14. 8-bit Timer Counter (TC0)

The TMP89FM82 contains 4 channels of high-performance 8-bit timer counters (TC0). Each timer can be used for time measurement and pulse output with a prescribed width. Two 8-bit timer counters are cascadable to form a 16-bit timer.

This chapter describes 2 channels of 8-bit timer counters 00 and 01. For 8-bit timer counters 02 and 03, replace the SFR addresses and pin names as shown in Table 14-1 and Table 14-2.

Table 14-1 SFR Address Assignment

	16-bit mode	T0xREG (Address)	T0xPWM (Address)	T0xMOD (Address)	T0xxCR (Address)	Low power consumption register
Timer counter 00	Lower	T00REG (0x0026)	T00PWM (0x0028)	T00MOD (0x002A)	T001CR (0x002C)	POFFCR0 <TC001EN>
Timer counter 01	Higher	T01REG (0x0027)	T01PWM (0x0029)	T01MOD (0x002B)		
Timer counter 02	Lower	T02REG (0x0F88)	T02PWM (0x0F8A)	T02MOD (0x0F8C)	T023CR (0x0F8E)	POFFCR0 <TC023EN>
Timer counter 03	Higher	T03REG (0x0F89)	T03PWM (0x0F8B)	T03MOD (0x0F8D)		

Table 14-2 Pin Names

	Timer input pin	PWM output pin	PPG output pin
Timer counter 00	TC00 pin	PWM0 pin	PPG0 pin
Timer counter 01	TC01 pin	PWM1 pin	PPG1 pin
Timer counter 02	TC02 pin	PWM2 pin	PPG2 pin
Timer counter 03	TC03 pin	PWM3 pin	PPG3 pin

14.1 Configuration

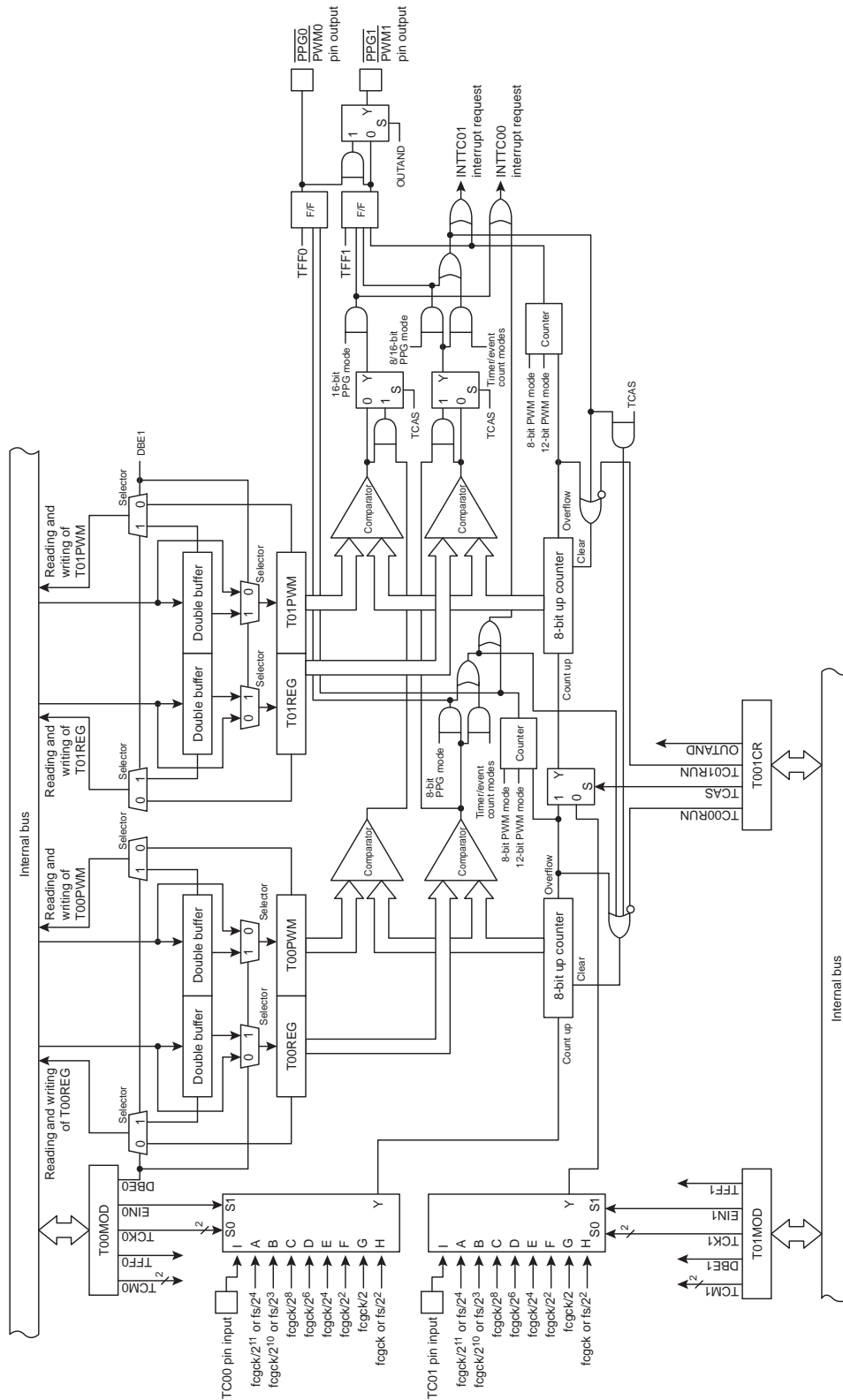


Figure 14-1 8-bit Timer Counters 00 and 01

14.2 Control

14.2.1 Timer counter 00

The timer counter 00 is controlled by the timer counter 00 mode register (T00MOD) and two 8-bit timer registers (T00REG and T00PWM).

Timer register 00

T00REG (0x0026)		15	14	13	12	11	10	9	8
Bit Symbol	T00REG								
Read/Write	R/W								
After reset	1	1	1	1	1	1	1	1	1

Timer register 00

T00PWM (0x0028)		7	6	5	4	3	2	1	0
Bit Symbol	T00PWM								
Read/Write	R/W								
After reset	1	1	1	1	1	1	1	1	1

Note 1: For the configuration of T00PWM in the 8-bit and 12-bit PWM modes, refer to "14.4.3 8-bit pulse width modulation (PWM) output mode" and "14.4.7 12-bit pulse width modulation (PWM) output mode".

Timer counter 00 mode register

T00MOD (0x002A)	7	6	5	4	3	2	1	0
Bit Symbol	TFF0	DBE0	TCK0			EIN0	TCM0	
Read/Write	R/W	R/W	R/W			R/W	R/W	
After reset	1	1	0	0	0	0	0	0

TFF0	Timer F/F0 control	0	Clear		
		1	Set		
DBE0	Double buffer control	0	Disable the double buffer		
		1	Enable the double buffer		
TCK0	Operation clock selection		NORMAL1/2 or IDLE1/2 mode		SLOW1/2 or SLEEP1 mode
			SYSCR1<DV9CK> = "0"	SYSCR1<DV9CK> = "1"	
		000	fcgck/2 ¹¹	fs/2 ⁴	fs/2 ⁴
		001	fcgck/2 ¹⁰	fs/2 ³	fs/2 ³
		010	fcgck/2 ⁸	fcgck/2 ⁸	-
		011	fcgck/2 ⁶	fcgck/2 ⁶	-
		100	fcgck/2 ⁴	fcgck/2 ⁴	-
		101	fcgck/2 ²	fcgck/2 ²	-
		110	fcgck/2	fcgck/2	-
		111	fcgck	fcgck	fs/2 ²
EIN0	Selection for using external source clock	0	Select the internal clock as the source clock.		
		1	Select an external clock as the source clock. (the falling edge of the TC00 pin)		
TCM0	Operation mode selection	00	8-bit timer/event counter modes		
		01	8-bit timer/event counter modes		
		10	8-bit pulse width modulation output (PWM) mode		
		11	8-bit programmable pulse generate (PPG) mode		

Note 1: fcgck: Gear clock [Hz], fs: Low-frequency clock [Hz]

Note 2: Set T00MOD while the timer is stopped. Writing data into T00MOD is invalid during the timer operation.

Note 3: In the 8-bit timer/event modes, the TFF0 setting is invalid. In this mode, when the PWM0 and PPG0 pins are set as the function output pins in the port setting, the pins always output the "H" level.

Note 4: When EIN0 is set to "1" and the external clock input is selected as the source clock, the TCK0 setting is ignored.

Note 5: When the T001CR<TCAS> bit is "1", timer 00 operates in the 16-bit mode. The T00MOD setting is invalid and timer 00 cannot be used independently in this mode. When the PWM0 and PPG0 pins are set to the function output pins in the port setting, the pins always output the "H" level.

Note 6: When the 16-bit mode is selected at T001CR<TCAS>, the timer start is controlled at T001CR<T01RUN>. Timer 00 is not started by writing data into T001CR<T00RUN>.

14.2.2 Timer counter 01

Timer counter 01 is controlled by timer counter 01 mode register (T01MOD) and two 8-bit timer registers (T01REG and T01PWM).

Timer register 01

T01REG (0x0027)		15	14	13	12	11	10	9	8
Bit Symbol	T01REG								
Read/Write	R/W								
After reset	1	1	1	1	1	1	1	1	1

Timer register 01

T01PWM (0x0029)		7	6	5	4	3	2	1	0
Bit Symbol	T01PWM								
Read/Write	R/W								
After reset	1	1	1	1	1	1	1	1	1

Note 1: For the configuration of T00PWM in the 8-bit and 12-bit PWM modes, refer to "14.4.3 8-bit pulse width modulation (PWM) output mode" and "14.4.7 12-bit pulse width modulation (PWM) output mode".



Timer counter 01 mode register

T01MOD (0x002B)	7	6	5	4	3	2	1	0
Bit Symbol	TFF1	DBE1	TCK1			EIN1	TCM1	
Read/Write	R/W	R/W	R/W			R/W	R/W	
After reset	1	1	0	0	0	0	0	0

TFF1	Timer F/F1 control	0	Clear		
		1	Set		
DBE1	Double buffer control	0	Disable the double buffer		
		1	Enable the double buffer		
TCK1	Operation clock selection		NORMAL1/2 or IDLE1/2 mode		SLOW1/2 or SLEEP1 mode
			SYSCR1<DV9CK> = "0"	SYSCR1<DV9CK> = "1"	
		000	fcgck/2 ¹¹	fs/2 ⁴	fs/2 ⁴
		001	fcgck/2 ¹⁰	fs/2 ³	fs/2 ³
		010	fcgck/2 ⁸	fcgck/2 ⁸	-
		011	fcgck/2 ⁶	fcgck/2 ⁶	-
		100	fcgck/2 ⁴	fcgck/2 ⁴	-
		101	fcgck/2 ²	fcgck/2 ²	-
110	fcgck/2	fcgck/2	-		
111	fcgck	fcgck	fs/2 ²		
EIN1	Selection for using external source clock	0	Select the internal clock as the source clock.		
		1	Select an external clock as the source clock. (the falling edge of the TC01 pin)		
TCM1	Operation mode selection		T001CR<TCAS>="0" (8-bit mode)		T001CR<TCAS>="1" (16-bit mode)
			00	8-bit timer/event counter modes	
		01	8-bit timer/event counter modes		16-bit timer/event counter modes
		10	8-bit pulse width modulation output (PWM) mode		12-bit pulse width modulation output (PWM) mode
11	8-bit programmable pulse generate (PPG) mode		16-bit programmable pulse generate (PPG) mode		

Note 1: fcgck: Gear clock [Hz], fs: Low-frequency clock [Hz]

Note 2: Set T01MOD while the timer is stopped. Writing data into T01MOD is invalid during the timer operation.

Note 3: In the 8-bit timer/event modes, the TFF1 setting is invalid. In this mode, when the PWM1 and PPG1 pins are set as the function output pins in the port setting, the pins always output the "H" level.

Note 4: When EIN1 is set to "1" and the external clock input is selected as the source clock, the TCK1 setting is ignored.

14.2.3 Common to timer counters 00 and 01

Timer counters 00 and 01 have the low power consumption register (POFFCR0) and timer 00 and 01 control registers in common.

Low power consumption register 0

POFFCR0 (0x0F74)	7	6	5	4	3	2	1	0
Bit Symbol	-	-	TC023EN	TC001EN	-	-	TCA1EN	TCA0EN
Read/Write	R/W	R/W	R/W	R/W	R/W	R/W	R/W	R/W
After reset	0	0	0	0	0	0	0	0

TC023EN	TC02,03 control	0	Disable
		1	Enable
TC001EN	TC00,01 control	0	Disable
		1	Enable
TCA1EN	TCA1 control	0	Disable
		1	Enable
TCA0EN	TCA0 control	0	Disable
		1	Enable



Timer counter 01 control register

T001CR (0x002C)		7	6	5	4	3	2	1	0
Bit Symbol		-	-	-	-	OUTAND	TCAS	T01RUN	T00RUN
Read/Write		R	R	R	R	R/W	R/W	R/W	R/W
After reset		0	0	0	0	0	0	0	0

OUTAND	Timers 00 and 01 output control	0	Output the timer 00 output from the $\overline{PWM0}$ and $\overline{PPG0}$ pins and the timer 01 output from the $\overline{PWM1}$ and $\overline{PPG1}$ pins.
		1	Output a pulse that is a logical ANDed product of the outputs of timers 00 and 01 from the $\overline{PWM1}$ and $\overline{PPG1}$ pins.
TCAS	Timers 00 and 01 cascade control	0	Use timers 00 and 01 independently (8-bit mode).
		1	Cascade timers 00 and 01 (16-bit mode).
T01RUN	Timer 01 control Timers 00/01 control (16-bit mode)	0	Stop and clear the counter
		1	Start
T00RUN	Timer 00 control	0	Stop and clear the counter
		1	Start

Note 1: When STOP mode is started, T00RUN and T01RUN are cleared to "0" and the timers stop. Set T001CR again to use timers 00 and 01 after STOP mode is released.

Note 2: When a read instruction is executed on T001CR, bits 7 to 4 are read as "0".

Note 3: When OUTAND is "1", output is obtained from the $\overline{PWM1}$ and $\overline{PPG1}$ pins only. There is no timer output to the $\overline{PWM0}$ and $\overline{PPG0}$ pins. If the $\overline{PWM0}$ and $\overline{PPG0}$ pins are set as the function output pins in the port setting, the pins always output "H".

Note 4: OUTAND and TCAS can be changed only when both TC01RUN and TC00RUN are "0". When either TC01RUN or TC00RUN is "1" or both are "1", the register values remain unchanged by executing write instructions on OUTAND and TCAS. OUTAND and TCAS can be changed at the same time as TC01RUN and TC00RUN are changed from "0" to "1".

14.2.4 Operation modes and usable source clocks

The operations modes of the 8-bit timers and the usable source clocks are listed below.

Table 14-3 Operation Modes and Usable Source Clocks (NORMAL1/2 and IDLE1/2 modes)

TCK0		000	001	010	011	100	101	110	111	TC0i pin input
Operation mode		fcgck/2 ¹¹ or fs/2 ⁴	fcgck/2 ¹⁰ or fs/2 ³	fcgck/2 ⁸	fcgck/2 ⁸	fcgck/2 ⁴	fcgck/2 ²	fcgck/2	fcgck	
8-bit timer modes	8-bit timer	O	O	O	O	O	O	O	O	-
	8-bit event counter	-	-	-	-	-	-	-	-	O
	8-bit PWM	O	O	O	O	O	O	O	O	-
	8-bit PPG	O	O	O	O	O	O	O	O	-
16-bit timer modes	16-bit timer	O	O	O	O	O	O	O	O	-
	16-bit event counter	-	-	-	-	-	-	-	-	O
	12-bit PWM	O	O	O	O	O	O	O	O	O
	16-bit PPG	O	O	O	O	O	O	O	O	O

Note 1: O: Usable, -: Unusable

Note 2: Set the source clock in the 16-bit modes on the TC01 side (TCK1).

Note 3: When the low-frequency clock, fs, is not oscillating, it must not be selected as the source clock. If fs is selected when it is not oscillating, no source clock is supplied to the timer, and the timer remains stopped.

Note 4: i=0, 1 (i=0 only in the 16-bit modes)

Note 5: The operation modes of the 8-bit timers and the usable source clocks are listed below.

Table 14-4 Operation Modes and Usable Source Clocks (SLOW1/2 and SLEEP1 modes)

TCK0		000	001	010	011	100	101	110	111	TC0i pin input
Operation mode		fs/2 ⁴	fs/2 ³	-	-	-	-	-	fs/2 ²	
8-bit timer modes	8-bit timer	O	O	-	-	-	-	-	O	-
	8-bit event counter	-	-	-	-	-	-	-	-	O
	8-bit PWM	O	O	-	-	-	-	-	O	-
	8-bit PPG	O	O	-	-	-	-	-	O	-
16-bit timer modes	16-bit timer	O	O	-	-	-	-	-	O	-
	16-bit event counter	-	-	-	-	-	-	-	-	O
	12-bit PWM	O	O	-	-	-	-	-	O	O
	16-bit PPG	O	O	-	-	-	-	-	O	O

Note 1: O: Usable, -: Unusable

Note 2: Set the source clock in the 16-bit modes on the TC01 side (TCK1).

Note 3: i=0, 1 (i=0 only in the 16-bit modes)

14.3 Low Power Consumption Function

Timer counters 00 and 01 have the low power consumption registers (POFFCR0) that save power when the timers are not used.

Setting POFFCR0<TC001EN> to "0" disables the basic clock supply to timer counters 00 and 01 to save power. Note that this renders the timers unusable. Setting POFFCR0<TC001EN> to "1" enables the basic clock supply to timer counters 00 and 01 and allows the timers to operate.

After reset, POFFCR0<TC001EN> are initialized to "0", and this makes the timers unusable. When using the timers for the first time, be sure to set POFFCR0<TC001EN> to "1" in the initial setting of the program (before the timer control registers are operated).

Do not change POFFCR0<TC001EN> to "0" during the timer operation. Otherwise timer counters 00 and 01 may operate unexpectedly.

14.4 Functions

Timer counters TC00 and TC01 have 8-bit modes in which they are used independently and 16-bit modes in which they are cascaded.

The 8-bit modes include four operation modes; the 8-bit timer mode, the 8-bit event counter mode, the 8-bit pulse width modulation output (PWM) mode and the 8-bit programmable pulse generated output (PPG) mode.

The 16-bit modes include four operation modes; the 16-bit timer mode, the 16-bit event counter mode, the 12-bit PWM mode and the 16-bit PPG mode.

14.4.1 8-bit timer mode

In the 8-bit timer mode, the up-counter counts up using the internal clock, and interrupts can be generated regularly at specified times. The operation of TC00 is described below, and the same applies to the operation of TC01. (Replace TC00- by TC01-).

14.4.1.1 Setting

TC00 is put into the 8-bit timer mode by setting T00MOD<TCM0> to "00" or "01", T001CR<TCAS> to "0" and T00MOD<EIN0> to "0". Select the source clock at T00MOD<TCK0>. Set the count value to be used for the match detection as an 8-bit value at the timer register T00REG.

Set T00MOD<DBE0> to "1" to use the double buffer.

Setting T001CR<T00RUN> to "1" starts the operation. After the timer is started, writing to T00MOD becomes invalid. Be sure to complete the required mode settings before starting the timer.

14.4.1.2 Operation

Setting T001CR<T00RUN> to "1" allows the 8-bit up counter to increment based on the selected internal source clock. When a match between the up counter value and the T00REG set value is detected, an INTTC00 interrupt request is generated and the up counter is cleared to "0x00". After being cleared, the up counter restarts counting. Setting T001CR<T00RUN> to "0" during the timer operation makes the up counter stop counting and be cleared to "0x00".

14.4.1.3 Double buffer

The double buffer can be used for T00REG by setting T00MOD<DBE0>. The double buffer is disabled by setting T00MOD<DBE0> to "0" or enabled by setting T00MOD<DBE0> to "1".

- When the double buffer is enabled

When a write instruction is executed on T00REG during the timer operation, the set value is initially stored in the double buffer, and T00REG is not immediately updated. T00REG compares the previous set value with the up counter value. When the values match, an INTTC00 interrupt request is generated and the double buffer set value is stored in T00REG. Subsequently, the match detection is executed using a new set value.

When a write instruction is executed on T00REG while the timer is stopped, the set value is immediately stored in both the double buffer and T00REG.

- When the double buffer is disabled

When a write instruction is executed on T00REG during the timer operation, the set value is immediately stored in T00REG. Subsequently, the match detection is executed using a new set value.

If the value set to T00REG is smaller than the up counter value, the match detection is executed using a new set value after the up counter overflows. Therefore, the interrupt request interval may

be longer than the selected time. If the value set to T00REG is equal to the up counter value, the match detection is executed immediately after data is written into T00REG. Therefore, the interrupt request interval may not be an integral multiple of the source clock (Figure 14-3). If these are problems, enable the double buffer.

When a write instruction is executed on T00REG while the timer is stopped, the set value is immediately stored in T00REG.

When a read instruction is executed on T00REG, the last value written into T00REG is read out, regardless of the T00MOD<DBE0> setting.

Table 14-5 8-bit Timer Mode Resolution and Maximum Time Setting

T00MOD <TCK0>	Source clock [Hz]			Resolution		Maximum time setting	
	NORMAL1/2 or IDLE1/2 mode		SLOW1/2 or SLEEP1 mode	fcgck=8MHz	fs=32.768kHz	fcgck=8MHz	fs=32.768kHz
	SYSCR1<DV9CK> = "0"	SYSCR1<DV9CK> = "1"					
000	fcgck/2 ¹¹	fs/2 ⁴	fs/2 ⁴	256μs	488.2μs	65.3ms	124.5ms
001	fcgck/2 ¹⁰	fs/2 ³	fs/2 ³	128μs	244.1μs	32.6ms	62.3ms
010	fcgck/2 ⁸	fcgck/2 ⁸	-	32μs	-	8.2ms	-
011	fcgck/2 ⁶	fcgck/2 ⁶	-	8μs	-	2.0ms	-
100	fcgck/2 ⁴	fcgck/2 ⁴	-	2μs	-	510μs	-
101	fcgck/2 ²	fcgck/2 ²	-	500ns	-	127.5μs	-
110	fcgck/2	fcgck/2	-	250ns	-	63.8μs	-
111	fcgck	fcgck	fs/2 ²	125ns	122.1μs	31.9μs	31.1ms

(Example) Operate TC00 in the 8-bit timer mode with the operation clock of fcgck/2² [Hz] and generate interrupts at 64 μs intervals (fcgck = 8 MHz)

```
LD      (POFFCR0),0x10      ; Sets TC001EN to "1"
DI      ; Sets the interrupt master enable flag to "disable"
SET     (EIRH),4           ; Sets the INTTC00 interrupt enable register to "1"
EI      ; Sets the interrupt master enable flag to "enable"
LD      (T00MOD),0xE8      ; Selects the 8-bit timer mode and fcgck/22
LD      (T00REG),0x80      ; Sets the timer register (64μs / (22/fcgck) = 0x80)
SET     (T001CR),0         ; Starts TC00
```

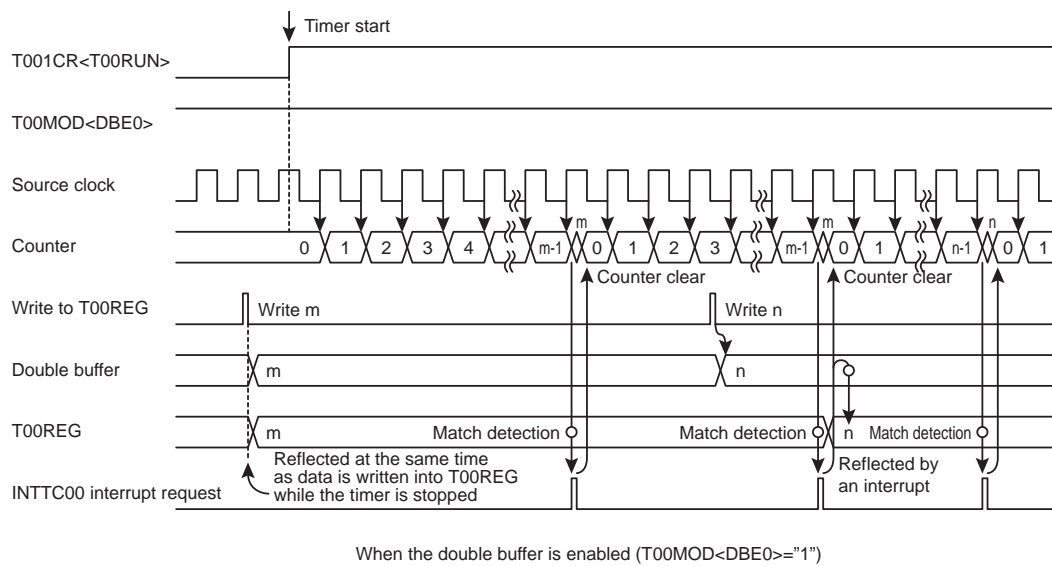
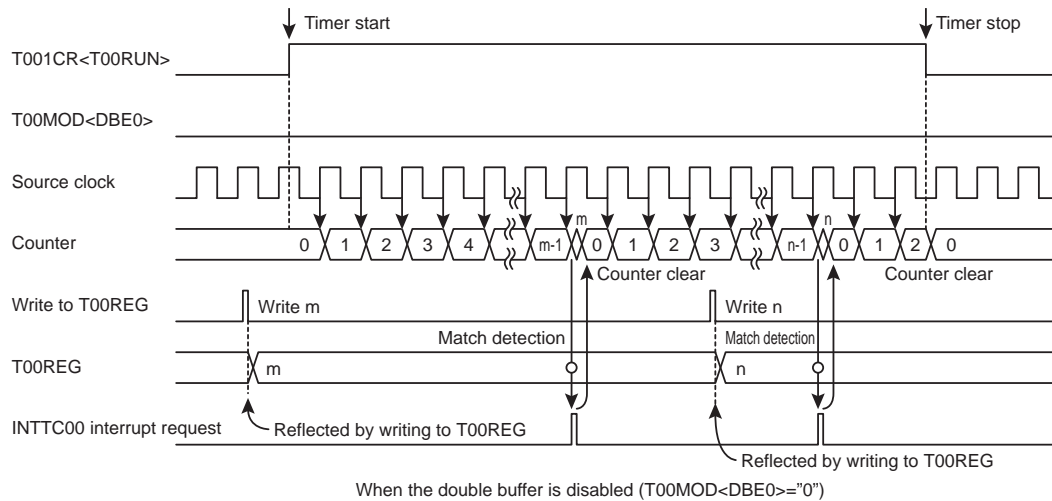


Figure 14-2 Timer Mode Timing Chart

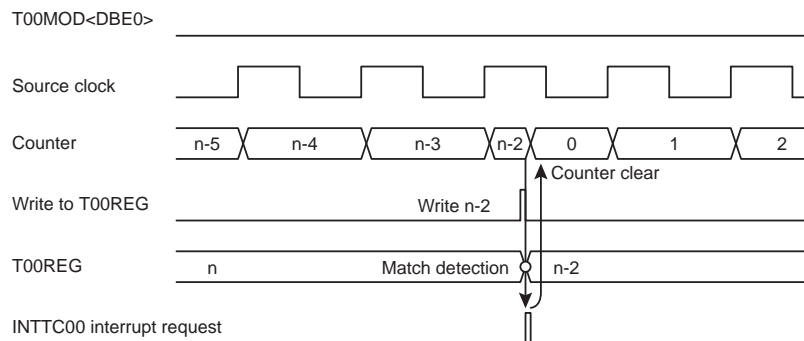


Figure 14-3 Operation When T00REG and the Up Counter Have the Same Value

14.4.2 8-bit event counter mode

In the 8-bit event counter mode, the up counter counts up at the falling edge of the input to the TC00 or TC01 pin. The operation of TC00 is described below, and the same applies to the operation of TC01.

14.4.2.1 Setting

TC00 is put into the 8-bit event counter mode by setting T00MOD<TCM0> to "00", T001CR<TCAS> to "0" and T00MOD<EIN0> to "1". Set the count value to be used for the match detection as an 8-bit value at the timer register T00REG.

Set T00MOD<DBE0> to "1" to use the double buffer.

Setting T001CR<T00RUN> to "1" starts the operation. After the timer is started, writing to T00MOD becomes invalid. Be sure to complete the required mode settings before starting the timer.

14.4.2.2 Operation

Setting T001CR<T00RUN> to "1" allows the 8-bit up counter to increment at the falling edge of the TC00 pin. When a match between the up-counter value and the T00REG set value is detected, an INTTC00 interrupt request is generated and the up counter is cleared to "0x00". After being cleared, the up counter restarts counting. Setting T001CR<T00RUN> to "0" during the timer operation makes the up counter stop counting and be cleared to "0x00".

The maximum frequency to be supplied is $f_{cgck}/2^2$ [Hz] (in NORMAL1/2 or IDLE1/2 mode) or $f_s/24$ [Hz] (in SLOW1/2 or SLEEP1 mode), and a pulse width of two machine cycles or more is required at both the "H" and "L" levels.

14.4.2.3 Double buffer

Refer to "14.4.1.3 Double buffer".

(Example) Operate TC00 in the 8-bit event counter mode and generate an interrupt each time 16 falling edges are detected at the TC00 pin.

```
LD      (POFFCR0),0x10      ; Sets TC001EN to "1"
DI      ; Sets the interrupt master enable flag to "disable"
SET     (EIRH),4            ; Sets the INTTC00 interrupt enable register to "1"
EI      ; Sets the interrupt master enable flag to "enable"
LD      (T00MOD),0xC4       ; Selects to the 8-bit event counter mode
LD      (T00REG),0x10       ; Sets the timer register
SET     (T001CR),0          ; Starts TC00
```

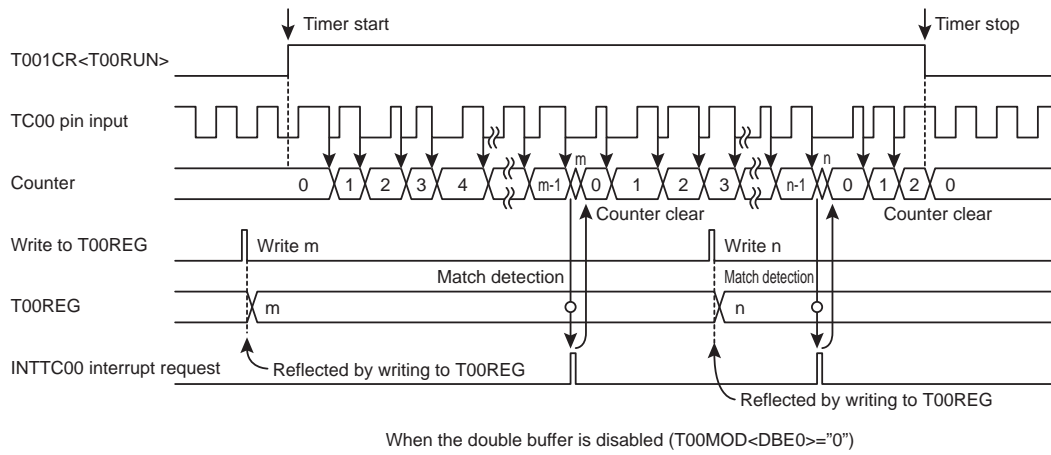



Figure 14-4 Event Counter Mode Timing Chart



14.4.3 8-bit pulse width modulation (PWM) output mode

The pulse-width modulated pulses with a resolution of 7 bits are output in the 8-bit PWM mode. An additional pulse can be added to the $2 \times n$ -th duty pulse. This enables PWM output with a resolution nearly equivalent to 8 bits. (n=1, 2, 3...)

The operation of TC00 is described below, and the same applies to the operation of TC01.

14.4.3.1 Setting

TC00 is put into the 8-bit PWM mode by setting T00MOD<TCM0> to "10" and T001CR<TCAS> to "0". Set T00MOD<EIN0> to "0" and select the clock at T00MOD<TCK0>. Set the count value to be used for the match detection and the additional pulse value at the PWM register T00PWM.

Set T00MOD<DBE0> to "1" to use the double buffer.

Setting T001CR<T00RUN> to "1" starts the operation. After the timer is started, writing to T00MOD becomes invalid. Be sure to complete the required mode settings before starting the timer.

In the 8-bit PWM mode, the T00PWM register is configured as follows:

Timer register 00

T00PWM (0x0028)	7	6	5	4	3	2	1	0
Bit Symbol	PWMDUTY							PWMAD
Read/Write	R/W	R/W	R/W	R/W	R/W	R/W	R/W	R/W
After reset	1	1	1	1	1	1	1	1

Timer register 01

T01PWM (0x0029)	7	6	5	4	3	2	1	0
Bit Symbol	PWMDUTY							PWMAD
Read/Write	R/W	R/W	R/W	R/W	R/W	R/W	R/W	R/W
After reset	1	1	1	1	1	1	1	1

PWMDUTY is a 7-bit register used to set the duty pulse width value (the time before the first output change) in a cycle (128 counts of the source clock).

PWMAD is a register used to set the additional pulse. When PWMAD is "1", an additional pulse that corresponds to 1 count of the source clock is added to the $2 \times n$ -th duty pulse (n=1, 2, 3...). In other words, the $2 \times n$ -th duty pulse has the output of PWMDUTY+1.

The additional pulse is not added when PWMAD is "0".

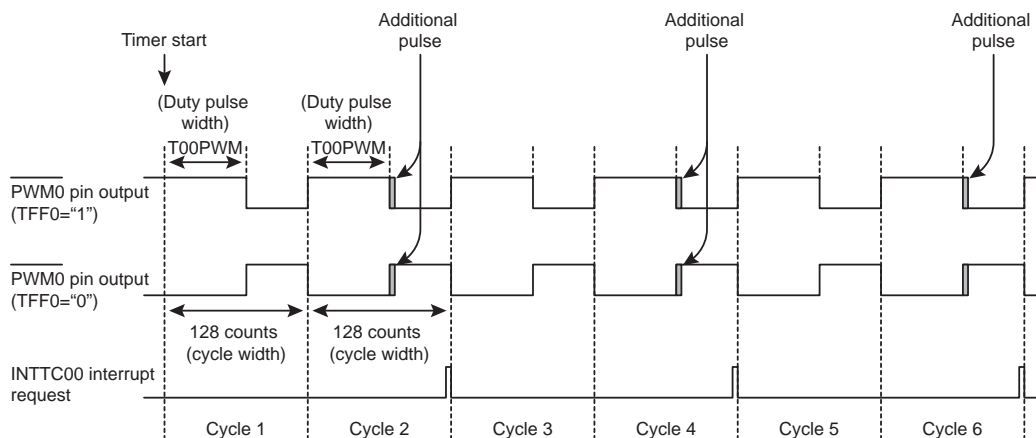


Figure 14-5 $\overline{\text{PWM0}}$ Pulse Output

Set the initial state of the $\overline{\text{PWM0}}$ pin at $\text{T00MOD}\langle\text{TFF0}\rangle$. Setting $\text{T00MOD}\langle\text{TFF0}\rangle$ to "0" selects the "L" level as the initial state of the $\overline{\text{PWM0}}$ pin. Setting $\text{T00MOD}\langle\text{TFF0}\rangle$ to "1" selects the "H" level as the initial state of the $\overline{\text{PWM0}}$ pin. If the $\overline{\text{PWM0}}$ pin is set as the function output pin in the port setting while the timer is stopped, the value of $\text{T00MOD}\langle\text{TFF0}\rangle$ is output to the $\overline{\text{PWM0}}$ pin. Table 14-6 shows the list of output levels of the $\overline{\text{PWM0}}$ pin.

Table 14-6 List of Output Levels of $\overline{\text{PWM0}}$ Pin

TFF0	$\overline{\text{PWM0}}$ pin output level			
	Before the start of operation (initial state)	T00PWM <PWMDUTY> matched (after the additional pulse)	Overflow	Operation stopped (initial state)
0	L	H	L	L
1	H	L	H	H

And by setting "1" to $\text{T001CR}\langle\text{OUTAND}\rangle$ bit, a logical product (AND) pulse of TC00 and TC01's output can be output to $\overline{\text{PWM0}}$ pin. By using this function, the remote-control waveform can be created easily.

14.4.3.2 Operations

Setting $\text{T001CR}\langle\text{T00RUN}\rangle$ to "1" allows the up counter to increment based on the selected source clock. When a match between the lower 7 bits of the up counter value and the value set to $\text{T00PWM}\langle\text{PWMDUTY}\rangle$ is detected, the output of the $\overline{\text{PWM0}}$ pin is reversed. When $\text{T00MOD}\langle\text{TFF0}\rangle$ is "0", the $\overline{\text{PWM0}}$ pin changes from the "L" to "H" level. When $\text{T00MOD}\langle\text{TFF0}\rangle$ is "1", the $\overline{\text{PWM0}}$ pin changes from the "H" to "L" level.

If $\text{T00PWM}\langle\text{PWMDAD}\rangle$ is "1", an additional pulse that corresponds to 1 count of the source clock is added at the $2 \times n$ -th match detection ($n=1, 2, 3, \dots$). In other words, the $\overline{\text{PWM0}}$ pin output is reversed at the timing of $\text{T00PWM}\langle\text{PWMDUTY}\rangle+1$. When $\text{T00MOD}\langle\text{TFF0}\rangle$ is "0", the period of the "L" level becomes longer than the value set to $\text{T00}\langle\text{PWMDUTY}\rangle$ by 1 source clock. When $\text{T00MOD}\langle\text{TFF0}\rangle$ is "1", the period of the "H" level becomes longer than the value set to $\text{T00PWM}\langle\text{PWMDUTY}\rangle$ by 1 source clock. This function allows two cycles of output pulses to be handled with a resolution nearly equivalent to 8 bits.

No additional pulse is inserted when $\text{T00PWM}\langle\text{PWMDAD}\rangle$ is "0".

Subsequently, the up counter continues counting up. When the up counter value reaches 128, an overflow occurs and the up counter is cleared to "0x00". At the same time, the output of the $\overline{\text{PWM0}}$ pin is reversed. When $\text{T00MOD}\langle\text{TFF0}\rangle$ is "0", the $\overline{\text{PWM0}}$ pin changes from the "H" to "L" level. When $\text{T00MOD}\langle\text{TFF0}\rangle$

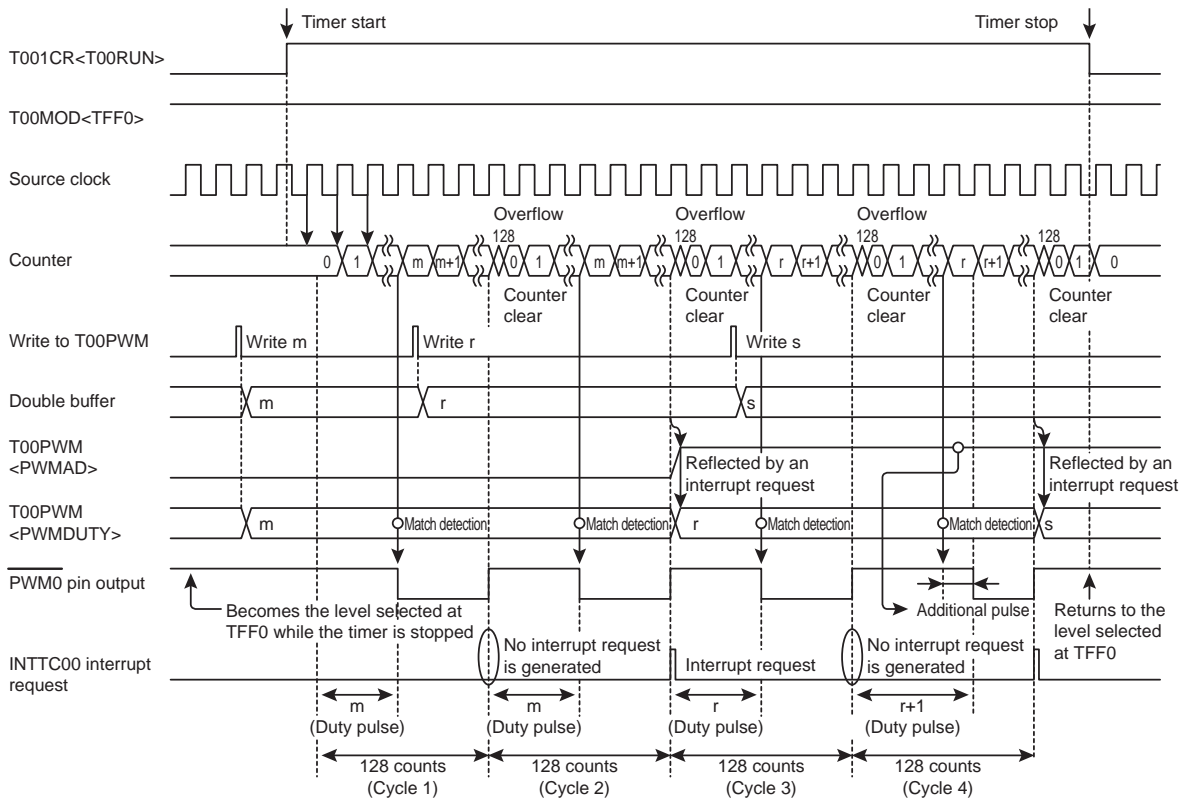
is "1", the $\overline{\text{PWM0}}$ pin changes from the "L" to "H" level. If the $2 \times n$ -th overflow occurs at this time, an INTTC00 interrupt request is generated. (No interrupt request is generated at the $2 \times n$ -th -1 overflow.) Subsequently, the up counter continues counting up.

When $\text{T001CR}<\text{T00RUN}>$ is set to "0" during the timer operation, the up counter is stopped and cleared to "0x00". The $\overline{\text{PWM0}}$ pin returns to the level selected at $\text{T00MOD}<\text{TFF0}>$.

(Example) Operate TC00 in the 8-bit PWM mode with the operation clock of $\text{fcgck}/2$ and output a duty pulse nearly equivalent to $11.625 \mu\text{s}$ ($\text{fcgck} = 8 \text{ MHz}$)
 (Actually, output a total duty pulse of $23.25 \mu\text{s}$ in 2 cycles ($64 \mu\text{s}$))

```

SET      (P7FC).0      ; Sets P7FC0 to "1"
SET      (P7CR).0     ; Sets P7CR0 to "1"
LD       (POFFCR0),0x10 ; Sets TC001EN to "1"
DI       ; Sets the interrupt master enable flag to "disable"
SET      (EIRH).4     ; Sets the INTTC00 interrupt enable register to "1"
EI       ; Sets the interrupt master enable flag to "enable"
LD       (T00MOD),0xF2 ; Selects the 8-bit PWM mode and fcgck/2
LD       (T00PWM),0x5D ; Sets the timer register (duty pulse)
                        ; (11.625μs × 2) / (2/fcgck) = 0x5D
SET      (T001CR).0   ; Starts TC00
    
```



When the double buffer is enabled ($\text{T00MOD}<\text{DBE0}>="1"$)

Figure 14-6 8-bit PWM Mode Timing Chart

14.4.3.3 Double buffer

The double buffer can be used for T00PWM by setting T00MOD<DBE0>. The double buffer is disabled by setting T00MOD<DBE0> to "0" or enabled by setting T00MOD<DBE0> to "1".

- When the double buffer is enabled

When a write instruction is executed on T00PWM during the timer operation, the set value is first stored in the double buffer, and T00PWM is not updated immediately. T00PWM compares the previous set value with the up counter value. When the $2 \times n$ -th overflow occurs, an INTTC00 interrupt request is generated and the double buffer set value is stored in T00PWM. Subsequently, the match detection is executed using a new set value.

When a read instruction is executed on T00PWM, the value in the double buffer (the last set value) is read out, not the T00PWM value (the currently effective value).

When a write instruction is executed on T00PWM while the timer is stopped, the set value is immediately stored in both the double buffer and T00PWM.

- When the double buffer is disabled

When a write instruction is executed on T00PWM during the timer operation, the set value is immediately stored in T00PWM. Subsequently, the match detection is executed using a new set value. If the value set to T00PWM is smaller than the up counter value, the PWM0 pin is not reversed until the up counter overflows and a match detection is executed using a new set value. If the value set to T00PWM is equal to the up counter value, the match detection is executed immediately after data is written into T00PWM. Therefore, the timing of changing the PWM0 pin may not be an integral multiple of the source clock (Figure 14-7). Similarly, if T00PWM is set during the additional pulse output, the timing of changing the PWM0 pin may not be an integral multiple of the source clock. If these are problems, enable the double buffer.

When a write instruction is executed on T00PWM while the timer is stopped, the set value is immediately stored in T00PWM.

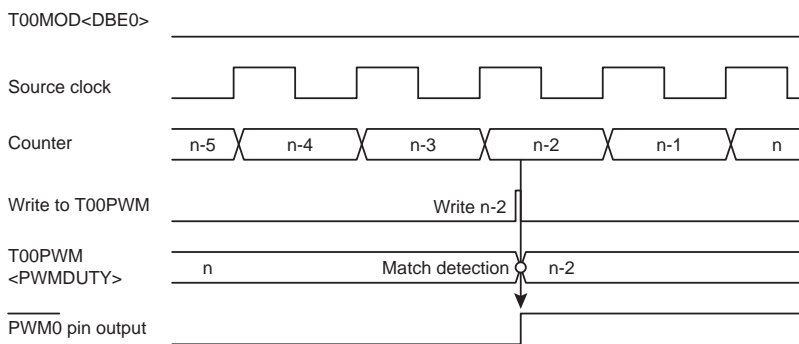


Figure 14-7 Operation When T00PWM and the Up Counter Have the Same Value

Table 14-7 Resolutions and Cycles in the 8-bit PWM Mode

T00MOD <TCK0>	Source clock [Hz]			Resolution		7-bit cycle (period × 2)	
	NORMAL1/2 or IDLE1/2 mode		SLOW1/2 or SLEEP1 mode	fcgck=8MHz	fs=32.768kHz	fcgck=8MHz	fs=32.768kHz
	SYSCR1<DV9CK> = "0"	SYSCR1<DV9CK> = "1"					
000	$fcgck/2^{11}$	$fs/2^4$	$fs/2^4$	256μs	488.2μs	32.8ms (65.5ms)	62.5ms (125ms)
001	$fcgck/2^{10}$	$fs/2^3$	$fs/2^3$	128μs	244.1μs	16.4ms (32.8ms)	31.3ms (62.5ms)
010	$fcgck/2^8$	$fcgck/2^8$	-	32μs	-	4.1ms (8.2ms)	-
011	$fcgck/2^6$	$fcgck/2^6$	-	8μs	-	1.0ms (2.0ms)	-
100	$fcgck/2^4$	$fcgck/2^4$	-	2μs	-	256μs (512μs)	-
101	$fcgck/2^2$	$fcgck/2^2$	-	500ns	-	64μs (128μs)	-
110	$fcgck/2$	$fcgck/2$	-	250ns	-	32μs (64μs)	-
111	fcgck	fcgck	$fs/2^2$	125ns	122.1μs	16μs (32μs)	15.6ms (31.3ms)

14.4.4 8-bit programmable pulse generate (PPG) output mode

In the 8-bit PPG mode, the pulses with arbitrary duty and cycle are output by using the T00REG and T00PWM registers.

By setting the T001CR<OUTAND> register, a pulse that is a logical ANDed product of the TC00 and TC01 outputs can be output to the TC01 pin. This function facilitates the generation of remote-controlled waveforms, for example.

The operation of TC00 is described below, and the same applies to the operation of TC01.

14.4.4.1 Setting

TC00 is put into the 8-bit PPG mode by setting T00MOD<TCM0> to "10" and T001CR<TCAS> to "0". Set T00MOD<EIN0> to "0" and select the clock at T00MOD<TCK0>. Set the duty pulse width at T00PWM and the cycle width at T00REG.

Set T00MOD<DBE0> to "1" to use the double buffer.

Setting T001CR<T00RUN> to "1" starts the operation. After the timer is started, writing to T00MOD becomes invalid. Be sure to complete the required mode settings before starting the timer.

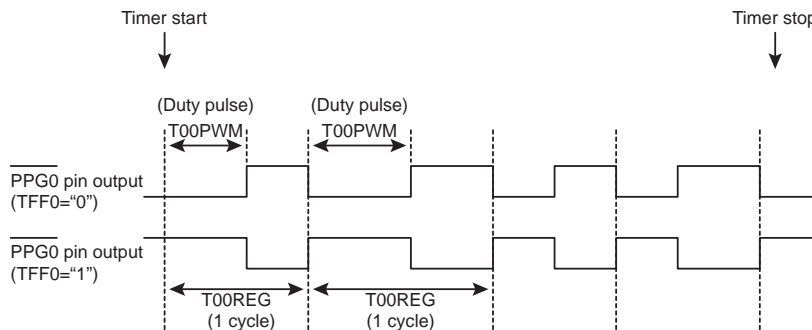


Figure 14-8 PPG0 Pulse Output

Set the initial state of the PPG0 pin at T00MOD<TFF0>. Setting T00MOD<TFF0> to "0" selects the "L" level as the initial state of the PPG0 pin. Setting T00MOD<TFF0> to "1" selects the "H" level as the initial state of the PPG0 pin. If the PPG0 pin is set as the function output pin in the port setting while the timer is stopped, the value of T00MOD<TFF0> is output to the PPG0 pin. Table 14-8 shows the list of output levels of the PPG0 pin.

Table 14-8 List of Output Levels of PPG0 Pin

TFF0	PPG0 pin output level			
	Before the start of operation (initial state)	T00PWM matched	T00REG matched	Operation stopped (initial state)
0	L	H	L	L
1	H	L	H	H

Setting the T001CR<OUTAND> bit to "1" allows the PPG0 pin to output a pulse that is a logical ANDed product of the TC00 and TC01 outputs.

14.4.4.2 Operation

Setting T001CR<T00RUN> to "1" allows the up counter to increment based on the selected source clock. When a match between the internal up counter value and the value set to T00PWM is detected, the output of the $\overline{\text{PPG0}}$ pin is reversed. When T00MOD<TFF0> is "0", the $\overline{\text{PPG0}}$ pin changes from the "L" to "H" level. When T00MOD<TFF0> is "1", the PPG0 pin changes from the "H" to "L" level.

Subsequently, the up counter continues counting up. When a match between the up counter value and T00REG is detected, the output of the $\overline{\text{PPG0}}$ pin is reversed again. When T00MOD<TFF0> is "0", the $\overline{\text{PPG0}}$ pin changes from the "H" to "L" level. When T00MOD<TFF0> is "1", the PPG0 pin changes from the "L" to "H" level. At this time, an INTTC00 interrupt request is generated.

When T001CR<T00RUN> is set to "0" during the operation, the up counter is stopped and cleared to "0x00". The $\overline{\text{PPG0}}$ pin returns to the level selected at T00MOD<TFF0>.

14.4.4.3 Double buffer

The double buffer can be used for T00PWM and T00REG by setting T00MOD<DBE0>. The double buffer is disabled by setting T00MOD<DBE0> to "0" or enabled by setting T00MOD<DBE0> to "1".

- When the double buffer is enabled

When a write instruction is executed on T00PWM (T00REG) during the timer operation, the set value is first stored in the double buffer, and T00PWM (T00REG) is not updated immediately. T00PWM (T00REG) compares the previous set value with the up counter value. When an INTTC00 interrupt request is generated, the double buffer set value is stored in T00PWM (T00REG). Subsequently, the match detection is executed using a new set value.

When a read instruction is executed on T00PWM (T00REG), the value in the double buffer (the last set value) is read out, not the T00PWM (T00REG) value (the currently effective value).

When a write instruction is executed on T00PWM (T00REG) while the timer is stopped, the set value is immediately stored in both the double buffer and T00PWM (T00REG).

- When the double buffer is disabled

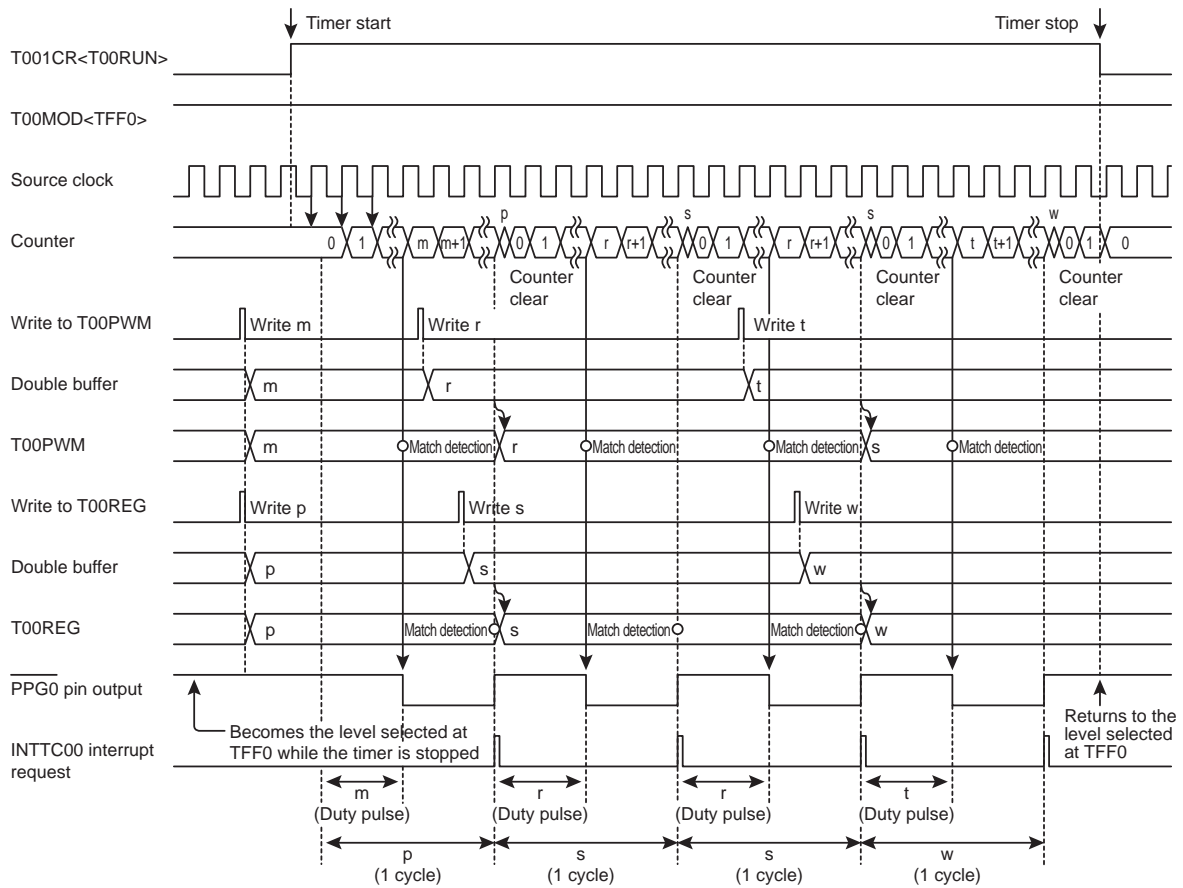
When a write instruction is executed on T00PWM (T00REG) during the timer operation, the set value is immediately stored in T00PWM (T00REG). Subsequently, the match detection is executed using a new set value. If the value set to T00PWM (T00REG) is smaller than the up counter value, the $\overline{\text{PPG0}}$ pin is not reversed until the up counter overflows and a match detection is executed using a new set value. If the value set to T00PWM (T00REG) is equal to the up counter value, the match detection is executed immediately after data is written into T00PWM (T00REG). Therefore, the timing of changing the $\overline{\text{PPG0}}$ pin may not be an integral multiple of the source clock (Figure 14-10). If these are problems, enable the double buffer.

When a write instruction is executed on T00PWM (T00REG) while the timer is stopped, the set value is immediately stored in T00PWM (T00REG).

(Example) Operate TC00 in the 8-bit PPG mode with the operation clock of $fcgck/2$ and output the $8\mu s$ duty pulse in 32 μs cycles ($fcgck = 8\text{ MHz}$)

```

SET      (P7FC).0           ; Sets P7FC0 to "1"
SET      (P7CR).0          ; Sets P7CR0 to "1"
LD       (POFFCR0),0x10    ; Sets TC001EN to "1"
DI       ; Sets the interrupt master enable flag to "disable"
SET      (EIRH).4          ; Sets the INTTC00 interrupt enable register to "1"
EI       ; Sets the interrupt master enable flag to "enable"
LD       (T00MOD),0xF3     ; Selects the 8-bit PPG mode and fcgck/2
LD       (T00REG),0x80     ; Sets the timer register (cycle)
                                     ;  $32\mu s / (2/fcgck) = 0x80$ 
LD       (T00PWM),0x20    ; Sets the timer register (duty pulse)
                                     ;  $8\mu s / (2/fcgck) = 0x20$ 
SET      (T001CR).0        ; Starts TC00
    
```



When the double buffer is enabled (T00MOD<DBE0>="1")

Figure 14-9 8-bit PPG Mode Timing Chart

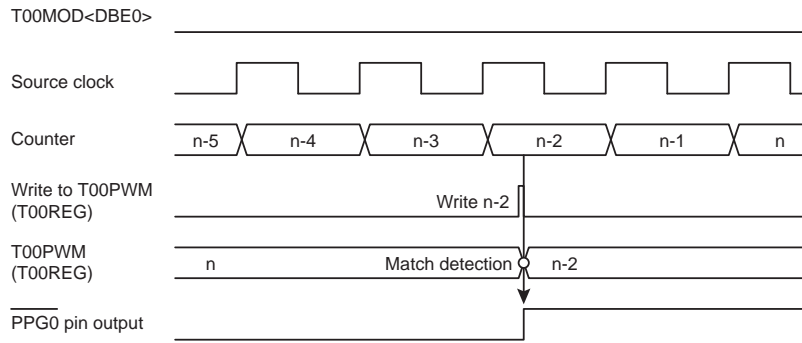


Figure 14-10 Operation When T00PWM (T00REG) and the Up Counter Have the Same Value

14.4.5 16-bit timer mode

In the 16-bit timer mode, TC00 and TC01 are cascaded to form a 16-bit timer counter, which can measure a longer period than an 8-bit timer.

14.4.5.1 Setting

Setting T001CR<TCAS> to "1" connects TC00 and TC01 and activates the 16-bit mode. All the settings of TC00 are ignored and those of TC01 are effective in the 16-bit mode.

The 16-bit timer mode is activated by setting T01MOD<TCM1> to "00" or "01" and T01MOD<EIN1> to "0". Select the source clock at T01MOD<TCK1>.

Set the count value to be used for the match detection as a 16-bit value at the timer registers T00REG and T01REG. Set the lower 8 bits of the 16-bit value at T00REG and the higher 8 bits at T01REG. (Hereinafter, the 16-bit value specified by the combined setting of T01REG and T00REG is indicated as T01+00REG.) The timer register settings are reflected on the double buffer or T01+00REG when a write instruction is executed on T01REG. Be sure to execute the write instructions on T00REG and T01REG in this order. (When data is written to the high-order register, the set values of the low-order and high-order registers become effective at the same time.)

Set T01MOD<DBE1> to "1" to use the double buffer.

Setting T001CR<T01RUN> to "1" starts the operation. After the timer is started, writing to T01MOD becomes invalid. Be sure to complete the required mode settings before starting the timer. (Make settings when T001CR<T00RUN> and <T01RUN> are "0".)

14.4.5.2 Operations

Setting T001CR<T01RUN> to "1" allows the 16-bit up counter to increment based on the selected internal source clock. When a match between the up counter value and the T00+01REG set value is detected, an INTTC01 interrupt request is generated and the up counter is cleared to "0x0000". After being cleared, the up counter restarts counting. Setting T001CR<T01RUN> to "0" during the timer operation makes the up counter stop counting and be cleared to "0x0000".

14.4.5.3 Double buffer

The double buffer can be used for T01+00REG by setting T01MOD<DBE1>. The double buffer is disabled by setting T01MOD<DBE1> to "0" or enabled by setting T01MOD<DBE1> to "1".

- When the double buffer is enabled

When write instructions are executed on T00REG and T01REG in this order during the timer operation, the set value is first stored in the double buffer, and T01+00REG is not updated immediately. T01+00REG compares the previous set value with the up counter value. When the values are matched, an INTTC01 interrupt request is generated and the double buffer set value is stored in T01+00REG. Subsequently, the match detection is executed using a new set value.

When write instructions are executed on T00REG and T01REG in this order while the timer is stopped, the set value is immediately stored in both the double buffer and T01+00REG.

- When the double buffer is disabled

When write instructions are executed on T00REG and T01REG in this order during the timer operation, the set value is immediately stored in T01+00REG. Subsequently, the match detection is executed using a new set value.

If the value set to T01+00REG is smaller than the up counter value, the match detection is executed using a new set value after the up counter overflows. Therefore, the interrupt request

interval may be longer than the selected time. If the value set to T01+00REG is equal to the up counter value, the match detection is executed immediately after data is written into T01+00REG. Therefore, the interrupt request interval may not be an integral multiple of the source clock. If these are problems, enable the double buffer.

When write instructions are executed on T00REG and T01REG in this order while the timer is stopped, the set value is immediately stored in T01+00REG.

When a read instruction is executed on T01+00REG, the last value written into T01+00REG is read out, regardless of the T00MOD<DBE1> setting.

(Example) Operate TC00 and TC01 in the 16-bit timer mode with the operation clock of $fcgck/2$ [Hz] and generate interrupts at $96\ \mu s$ intervals ($fcgck = 8\ MHz$)

```
LD      (POFFCR0),0x10      ; Sets TC001EN to "1"
DI      ; Sets the interrupt master enable flag to "disable"
SET     (EIRH).4            ; Sets the INTTC00 interrupt enable register to "1"
EI      ; Sets the interrupt master enable flag to "enable"
LD      (T01MOD),0xF0       ; Selects the 16-bit timer mode and fcgck/2
LD      (T00REG),0x80       ; Sets the timer register ( $96\mu s / (2/fcgck) = 0x180$ )
LD      (T01REG),0x01       ; Sets the timer register
LD      (T001CR),0x06       ; Starts TC00 and TC001 (16-bit mode)
```

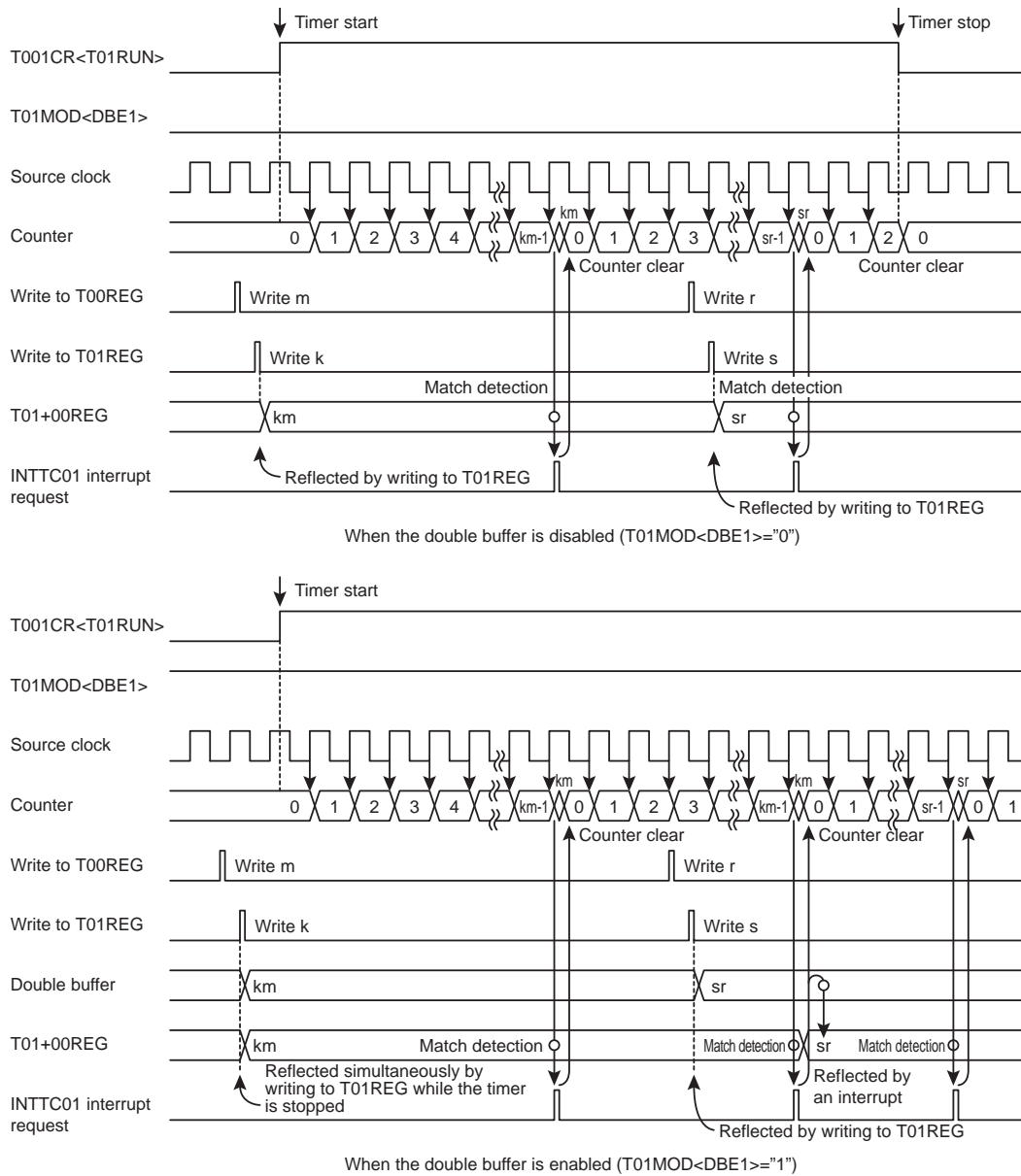


Figure 14-11 16-bit Timer Counter Timing Chart

Table 14-9 16-bit Timer Mode Resolution and Maximum Time Setting

T01MOD <TCK1>	Source clock [Hz]			Resolution		Maximum time setting	
	NORMAL1/2 or IDLE1/2 mode		SLOW1/2 or SLEEP1 mode	fcgck=8MHz	fs=32.768kHz	fcgck=8MHz	fs=32.768kHz
	SYSCR1<DV9CK> = "0"	SYSCR1<DV9CK> = "1"					
000	$fcgck/2^{11}$	$fs/2^4$	$fs/2^4$	256 μ s	488.2 μ s	16.8s	32s
001	$fcgck/2^{10}$	$fs/2^3$	$fs/2^3$	128 μ s	244.1 μ s	8.4s	16s
010	$fcgck/2^8$	$fcgck/2^8$	-	32 μ s	-	2.1s	-
011	$fcgck/2^6$	$fcgck/2^6$	-	8 μ s	-	524.3ms	-
100	$fcgck/2^4$	$fcgck/2^4$	-	2 μ s	-	131.1ms	-
101	$fcgck/2^2$	$fcgck/2^2$	-	500ns	-	32.8ms	-
110	$fcgck/2$	$fcgck/2$	-	250ns	-	16.4ms	-
111	fcgck	fcgck	$fs/2^2$	125ns	122.1 μ s	8.2ms	8s

14.4.6 16-bit event counter mode

In the 16-bit event counter mode, the up counter counts up at the falling edge of the input to the TC00 pin. TC00 and TC01 are cascaded to form a 16-bit timer counter, which can measure a longer period than an 8-bit timer.

14.4.6.1 Setting

Setting T001CR<TCAS> to "1" connects TC00 and TC01 and activates the 16-bit timer mode. All the settings of TC00 are ignored and those of TC01 are effective in the 16-bit timer mode.

The 16-bit timer mode is activated by setting T01MOD<TCM1> to "00" or "01" and T01MOD<EIN0> to "1".

Set the count value to be used for the match detection as a 16-bit value at the timer registers T00REG and T01REG. Set the lower 8 bits of the 16-bit value at T00REG and set the higher 8 bits at T01REG. (Hereinafter, the 16-bit value specified by the combined setting of T01REG and T00REG is indicated as T01+00REG.) The timer register settings are reflected on the double buffer or T01+00REG when a write instruction is executed on T01REG. Be sure to execute the write instructions on T00REG and T01REG in this order. (When data is written to the high-order register, the set values of the low-order and high-order registers become effective at the same time.)

Set T01MOD<DBE1> to "1" to use the double buffer.

Setting T001CR<T01RUN> to "1" starts the operation. After the timer is started, writing to T01MOD becomes invalid. Be sure to complete the required mode settings before starting the timer. (Make settings when T001CR<T00RUN> and <T01RUN> are "0".)

14.4.6.2 Operations

Setting T001CR<T01RUN> to "1" allows the 16-bit up counter to increment at the falling edge of the TC00 pin. When a match between the up counter value and the T00+01REG set value is detected, an INTTC01 interrupt request is generated and the up counter is cleared to "0x0000". After being cleared, the up counter restarts counting. Setting T001CR<T01RUN> to "0" during the timer operation makes the up counter stop counting and be cleared to "0x0000".

The maximum frequency to be supplied is $fcgck/2$ [Hz] (in NORMAL1/2 or IDLE1/2 mode) or $fs/2^4$ [Hz] (in SLOW1/2 or SLEEP1 mode), and a pulse width of two machine cycles or more is required at both the "H" and "L" levels.

14.4.6.3 Double buffer

Refer to 14.4.5.3.

(Example) Operate TC00 and TC01 in the 16-bit event counter mode and generate an interrupt each time the 384th falling edge is detected at the TC00 pin

```

LD      (POFFCR0),0x10      ; Sets TC001EN to "1"
DI      ; Sets the interrupt master enable flag to "disable"
SET     (EIRH).4           ; Sets the INTTC00 interrupt enable register to "1"
EI      ; Sets the interrupt master enable flag to "enable"
LD      (T00MOD),0xC4      ; Selects the 16-bit event counter mode
LD      (T00REG),0x80      ; Sets the timer register
LD      (T01REG),0x10      ; Sets the timer register
LD      (T001CR),0x06      ; Starts TC00 and TC001 (16-bit mode)
    
```

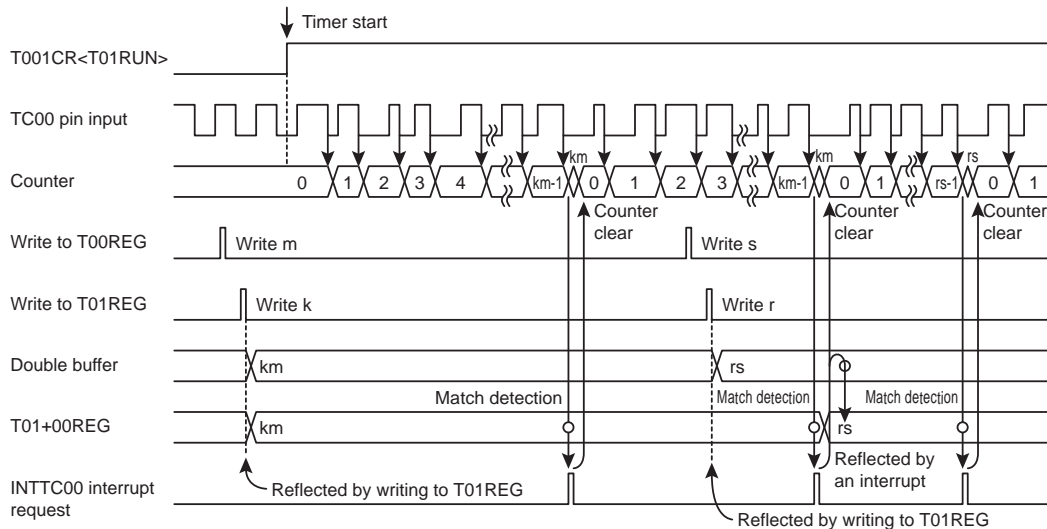
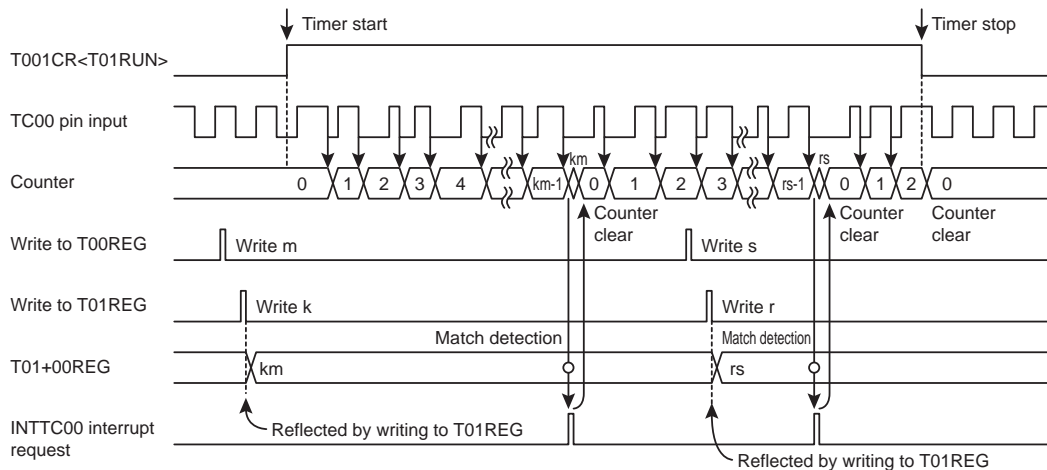


Figure 14-12 16-bit Event Counter Mode Timing Chart

14.4.7 12-bit pulse width modulation (PWM) output mode

In the 12-bit PWM output mode, TC00 and TC01 are cascaded to output the pulse-width modulated pulses with a resolution of 8 bits. An additional pulse of 4 bits can be inserted, which enables PWM output with a resolution nearly equivalent to 12 bits.

14.4.7.1 Setting

Setting T001CR<TCAS> to "1" connects TC00 and TC01 and activates the 16-bit timer mode. All the settings of TC00 are ignored and those of TC01 are effective in the 16-bit timer mode.

The 12-bit PWM mode is selected by setting T01MOD<TCM1> to "10". To use the internal clock as the source clock, set T01MOD<EIN1> to "0" and select the clock at T01MOD<TCK1>. To use an external clock as the source clock, set T01MOD<EIN1> to "1".

Set T01MOD<DBE1> to "1" to use the double buffer.

Setting T001CR<T01RUN> to "1" starts the operation. After the timer is started, writing to T01MOD becomes invalid. Be sure to complete the required mode settings before starting the timer. (Make settings when T001CR<T00RUN> and <T01RUN> are "0".)

Set the count value to be used for the match detection and the additional pulse value as a 12-bit value at the timer registers T00PWM and T01PWM. Set bits 11 to 8 of the 12-bit value at the lower 4 bits of T01PWM and set bits 7 to 0 at T00PWM. Refer to the following table for the register configuration. Hereinafter, the 12-bit value specified by the combined setting of T00PWM and T01PWM is indicated as T01+00PWM. The timer register settings are reflected on the double buffer or T01+00PWM when a write instruction is executed on T01PWM. Be sure to execute the write instructions on T00PWM and T01PWM in this order. (When data is written to the high-order register, the set values of the low-order and high-order registers become effective at the same time.)

Timer register 00

T00PWM (0x0028)		7	6	5	4	3	2	1	0
Bit Symbol		PWMDUTYL				PWMAD3	PWMAD2	PWMAD1	PWMAD0
Read/Write	R/W	R/W	R/W	R/W	R/W	R/W	R/W	R/W	R/W
After reset	1	1	1	1	1	1	1	1	1

Timer register 01

T01PWM (0x0029)		7	6	5	4	3	2	1	0
Bit Symbol						PWMDUTYH			
Read/Write						R/W	R/W	R/W	R/W
After reset	1	1	1	1	1	1	1	1	1

Bits 7 to 4 of T01PWM are not used in the 12-bit PWM mode. However, data can be written to these bits of T01PWM and the written values are read out as they are when the bits are read. Normally, set these bits to "0".

PWMDUTYH and PWMDUTYL are 4-bit registers. They are combined to set an 8-bit value of duty pulse width (time before the first change in the output) for one cycle (256 counts of the source clock). Hereinafter, an 8-bit value specified by the combined setting of PWMDUTYH and PWMDUTYL is indicated as PWMDUTY.

PWMAD3 to 0 are the additional pulse setting register. Additional pulses can be inserted in specific cycles of the duty pulse by setting each bit to "1". The additional pulses are inserted in the positions listed in Table 14-10. PWMAD 3 to 0 can be combined to specify the number of times of inserting the additional pulses in 16 cycles to any number from 1 to 16. Examples of inserting additional pulses are shown in Figure 14-13.

Table 14-10 Cycles in Which Additional Pulses Are Inserted

	Cycles in which additional pulses are inserted among cycles 1 to 16
PWMAD0="1"	9
PWMAD1="1"	5, 13
PWMAD2="1"	3, 7, 11, 15
PWMAD3="1"	2, 4, 6, 8, 10, 12, 14, 16

Set the initial state of the $\overline{\text{PWM1}}$ pin at T01MOD<TFF1>. Setting T01MOD<TFF1> to "0" selects the "L" level as the initial state of the $\overline{\text{PWM1}}$ pin. Setting T01MOD<TFF1> to "1" selects the "H" level as the initial state of the $\overline{\text{PWM1}}$ pin. If the $\overline{\text{PWM1}}$ pin is set as the function output pin in the port setting while the timer is stopped, the value of T01MOD<TFF1> is output to the PWM1 pin. Table 14-11 shows the list of output levels of the $\overline{\text{PWM1}}$ pin.

Table 14-11 List of Output Levels of $\overline{\text{PWM1}}$ Pin

TFF1	$\overline{\text{PWM1}}$ pin output level			
	Before the start of operation (initial state)	PWMDUTY matched (after the additional pulse)	Overflow	Operation stopped (initial state)
0	L	H	L	L
1	H	L	H	H

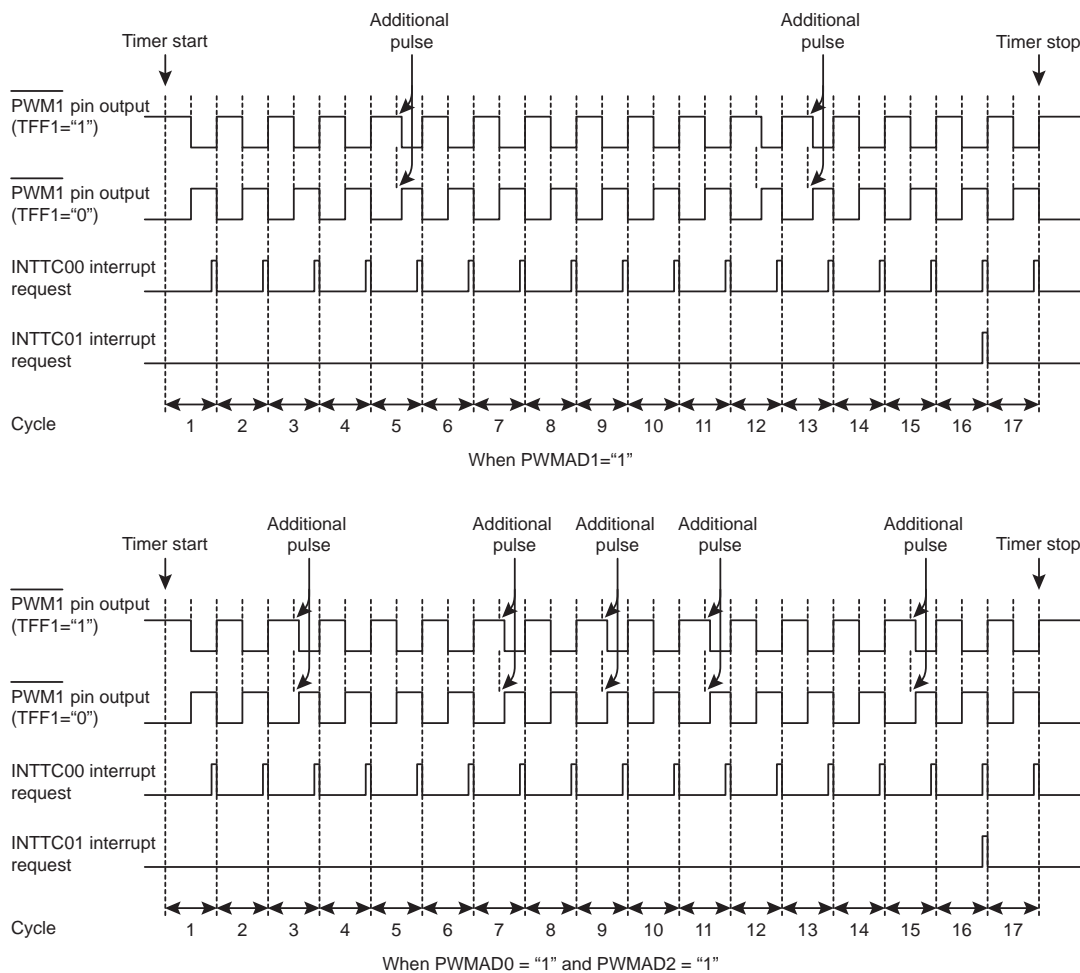


Figure 14-13 Examples of Inserting Additional Pulses

14.4.7.2 Operations

Setting T001CR<T01RUN> to "1" allows the up counter to increment based on the selected source clock. When a match between the lower 8 bits of the up counter value and the value set to PWM DUTY is detected, the output of the PWM1 pin is reversed. When T01MOD<TFF1> is "0", the PWM1 pin changes from the "L" to "H" level. When T01MOD<TFF1> is "1", the PWM1 pin changes from the "H" to "L" level.

If any of PWMAD3 to 0 is "1", an additional pulse that corresponds to 1 count of the source clock is inserted in specific cycles of the duty pulse. In other words, the PWM1 pin output is reversed at the timing of PWM DUTY+1. When T00MOD<TFF0> is "0", the period of the "L" level becomes longer than the value set to PWM DUTY by 1 source clock. When T00MOD<TFF0> is "1", the period of the "H" level becomes longer than the value set to PWM DUTY by 1 source clock. This function allows 16 cycles of output pulses to be handled with a resolution nearly equivalent to 12 bits.

No additional pulse is inserted when PWMAD3 to 0 are all "0".

Subsequently, the up counter continues counting up. When the up counter value reaches 256, an overflow occurs and the up counter is cleared to "0x00". At the same time, the output of the PWM1 pin is reversed. When T01MOD<TFF1> is "0", the PWM1 pin changes from the "H" to "L" level. When T01MOD<TFF1> is "1", the PWM1 pin changes from the "L" to "H" level. At this time, an INTTC00 interrupt request is generated (an INTTC00 interrupt request is generated each time an overflow occurs.) An INTTC01 interrupt request is generated at the 16 × n-th overflow (n=1, 2, 3...). Subsequently, the up counter continues counting up.

When $T01CR<T01RUN>$ is set to "0" during the timer operation, the up counter is stopped and cleared to "0x00". The $\overline{PWM1}$ pin returns to the level selected at $T01MOD<TFF1>$.

When an external source clock is selected, input the clock at the TC00 pin. The maximum frequency to be supplied is $f_{cgck}/2$ [Hz] (in NORMAL1/2 or IDLE1/2 mode) or $f_s/2^4$ [Hz] (in SLOW1/2 or SLEEP1 mode), and a pulse width of two machine cycles or more is required at both the "H" and "L" levels.

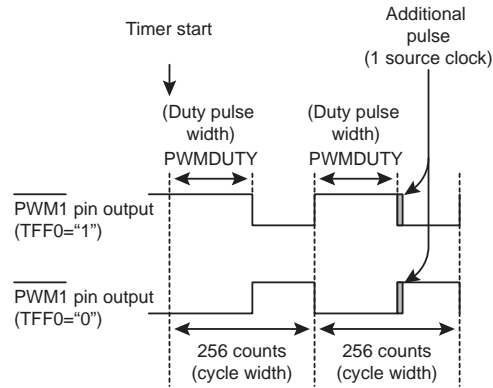


Figure 14-14 $\overline{PWM1}$ Pin Output

14.4.7.3 Double buffer

The double buffer can be used for $T01+00PWM$ by setting $T01MOD<DBE1>$. The double buffer is disabled by setting $T01MOD<DBE1>$ to "0" or enabled by setting $T01MOD<DBE1>$ to "1".

- When the double buffer is enabled

When write instructions are executed on $T00PWM$ and $T01PWM$ in this order during the timer operation, the set value is first stored in the double buffer, and $T01+00PWM$ is not updated immediately. $T01+00PWM$ compares the previous set value with the up counter value. When the $16 \times n$ -th overflow occurs, an $INTTC01$ interrupt request is generated and the double buffer set value is stored in $T01+00PWM$. Subsequently, the match detection is executed using a new set value.

When a read instruction is executed on $T01+00PWM$ ($T00REG$), the value in the double buffer (the last set value) is read out, not the $T01+00PWM$ value (the currently effective value).

When write instructions are executed on $T00PWM$ and $T01PWM$ in this order while the timer is stopped, the set value is immediately stored in both the double buffer and $T01+00PWM$.

- When the double buffer is disabled

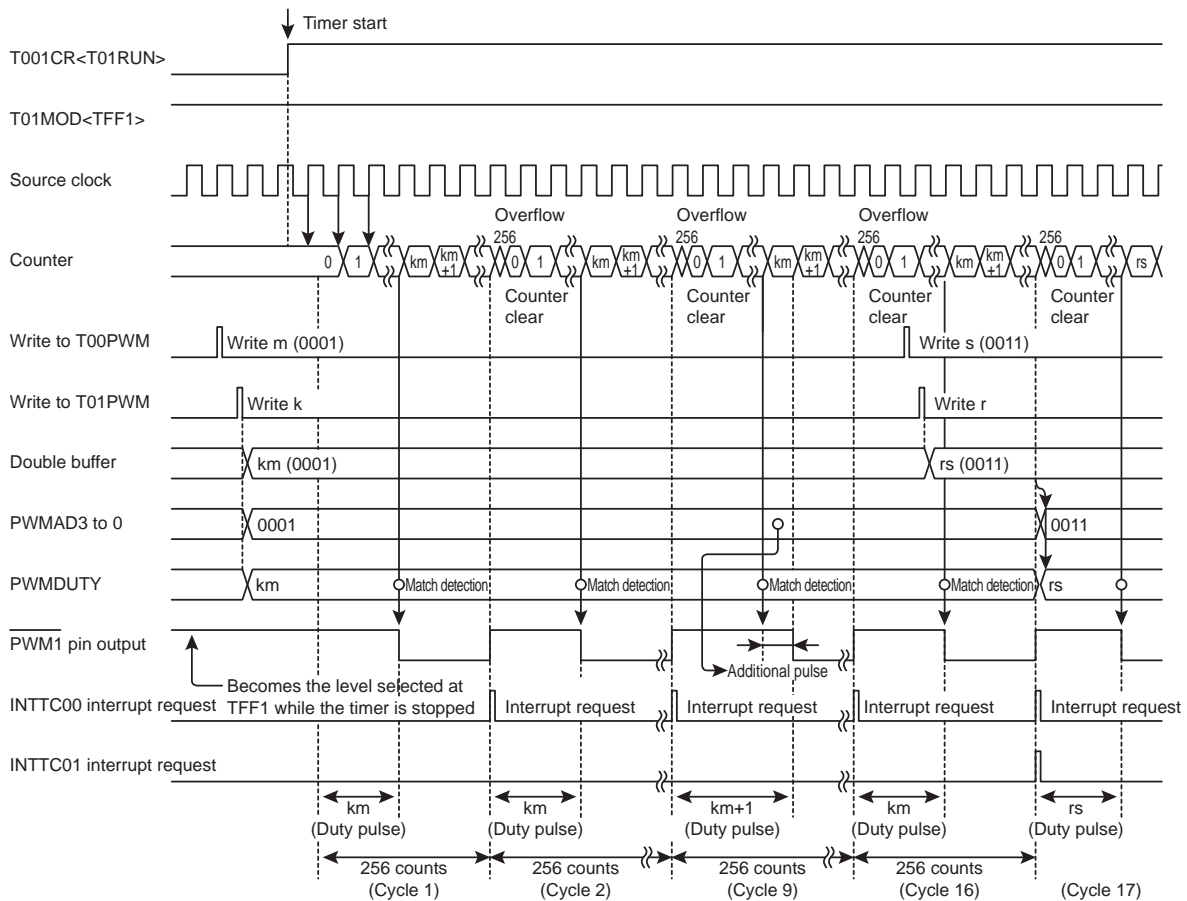
When write instructions are executed on $T00PWM$ and $T01PWM$ in this order during the timer operation, the set value is immediately stored in $T01+00PWM$. Subsequently, the match detection is executed using a new set value. If the value set to $T01+00PWM$ is smaller than the up counter value, the $\overline{PWM1}$ pin is not reversed until the up counter overflows and a match detection is executed using a new set value. If the value set to $T01+00PWM$ is equal to the up counter value, the match detection is executed immediately after data is written into $T01+00PWM$. Therefore, the timing of changing the $\overline{PWM1}$ pin may not be an integral multiple of the source clock. Similarly, if $T01+00PWM$ is set during the additional pulse output, the timing of changing the $\overline{PWM1}$ pin may not be an integral multiple of the source clock. If these are problems, enable the double buffer.

When write instructions are executed on $T00PWM$ and $T01PWM$ in this order while the timer is stopped, the set value is immediately stored in $T01+00PWM$.

(Example) Operate TC00 and TC01 in the 12-bit PWM mode with the operation clock of $fcgck/2$ and output a duty pulse nearly equivalent to $14.0625 \mu s$ in $64 \mu s$ cycles ($fcgck = 8 \text{ MHz}$)
 (Actually, output a duty pulse of $225 \mu s$ in total in 16 cycles ($1024 \mu s$))

```

SET      (P7FC).1      ; Sets P7FC1 to "1"
SET      (P7CR).1      ; Sets P7CR1 to "1"
LD       (POFFCR0),0x10 ; Sets TC001EN to "1"
DI       ; Sets the interrupt master enable flag to "disable"
SET      (EIRH).4      ; Sets the INTTC00 interrupt enable register to "1"
EI       ; Sets the interrupt master enable flag to "enable"
LD       (T01MOD),0xF2 ; Selects the 12-bit PWM mode and fcgck/2
LD       (T00PWM),0x84 ; Sets the timer register (duty pulse)
                               ; (14.0625μs × 16) / (2/fcgck) = 0x384
LD       (T01PWM),0x03 ; Sets the timer register (duty pulse)
LD       (T001CR),0x06 ; Starts TC00 and TC01
    
```



When the double buffer is enabled (T01MOD<DBE1>="1")

Figure 14-15 12-bit PWM Mode Timing Chart

Table 14-12 Resolutions and Cycles in the 12-bit PWM Mode

T01MOD <TCK1>	Source clock [Hz]			Resolution		8-bit cycle (period × 16)	
	NORMAL1/2 or IDLE1/2 mode		SLOW1/2 or SLEEP1 mode	fcgck=8MHz	fs=32.768kHz	fcgck=8MHz	fs=32.768kHz
	SYSCR1<DV9CK> = "0"	SYSCR1<DV9CK> = "1"					
000	$fcgck/2^{11}$	$fs/2^4$	$fs/2^4$	256μs	488.2μs	65.5ms (1048.6ms)	125ms (2000ms)
001	$fcgck/2^{10}$	$fs/2^3$	$fs/2^3$	128μs	244.1μs	32.8ms (524.3ms)	62.5ms (1000ms)
010	$fcgck/2^8$	$fcgck/2^8$	-	32μs	-	8.2ms (131.1ms)	-
011	$fcgck/2^6$	$fcgck/2^6$	-	8μs	-	2.0ms (32.8ms)	-
100	$fcgck/2^4$	$fcgck/2^4$	-	2μs	-	512μs (8192μs)	-
101	$fcgck/2^2$	$fcgck/2^2$	-	500ns	-	128μs (2048μs)	-
110	$fcgck/2$	$fcgck/2$	-	250ns	-	64μs (1024μs)	-
111	$fcgck$	$fcgck$	$fs/2^2$	125ns	122.1μs	32μs (512μs)	31.3ms (500ms)

14.4.8 16-bit programmable pulse generate (PPG) output mode

In the 16-bit PPG mode, TC00 and TC01 are cascaded to output the pulses that have a resolution of 16 bits and arbitrary pulse width and duty. Two 16-bit registers, T01+00REG and T01+00PWM, are used to output the pulses. This enables output of longer pulses than an 8-bit timer.

14.4.8.1 Setting

Setting T001CR<TCAS> to "1" connects TC00 and TC01 and activates the 16-bit mode. All the settings of TC00 are ignored and those of TC01 are effective in the 16-bit mode.

The 16-bit PPG mode is selected by setting T01MOD<TCM1> to "11". To use the internal clock as the source clock, set T01MOD<EIN1> to "0" and select the clock at T01MOD<TCK1>. To use an external clock as the source clock, set T01MOD<EIN0> to "1".

Set T01MOD<DBE1> to "1" to use the double buffer.

Set the count value that corresponds to a cycle as a 16-bit value at the timer registers T01REG and T00REG. Set the count value that corresponds to a duty pulse as a 16-bit value at T01PWM and T00PWM (hereinafter, the 16-bit value specified by the combined setting of T01REG and T00REG is indicated as T01+00REG, and the 16-bit value specified by the combined setting of T01PWM and T00PWM is indicated as T01+00PWM). The timer register settings are reflected on the double buffer or T01+00PWM and T01+00REG when a write instruction is executed on T01PWM. Be sure to execute the write instructions on T00REG, T01REG and T00PWM before executing a write instruction on T01PWM. (When data is written to T01PWM, the set values of the four timer registers become effective at the same time.)

Set the initial state of the $\overline{\text{PPG1}}$ pin at T01MOD<TFF1>. Setting T01MOD<TFF1> to "0" selects the "L" level as the initial state of the $\overline{\text{PPG1}}$ pin. Setting T01MOD<TFF1> to "1" selects the "H" level as the initial state of the $\overline{\text{PPG1}}$ pin. If the $\overline{\text{PPG1}}$ pin is set as the function output pin in the port setting while the timer is stopped, the value of T01MOD<TFF1> is output to the $\overline{\text{PPG1}}$ pin. Table 14-13 shows the list of output levels of the $\overline{\text{PPG1}}$ pin.

Table 14-13 List of Output Levels of $\overline{\text{PPG1}}$ Pin

TFF1	$\overline{\text{PPG1}}$ pin output level			
	Before the start of operation (initial state)	T01+00PWM matched	T01+00REG matched	Operation stopped (initial state)
0	L	H	L	L
1	H	L	H	H

14.4.8.2 Operations

Setting T001CR<T01RUN> to "1" allows the up counter to increment based on the selected source clock. When a match between the up counter value and the value set to T01+00PWM is detected, the output of the $\overline{\text{PPG1}}$ pin is reversed. When T01MOD<TFF1> is "0", the $\overline{\text{PPG1}}$ pin changes from the "L" to "H" level. When T01MOD<TFF1> is "1", the $\overline{\text{PPG1}}$ pin changes from the "H" to "L" level. At this time, an INTTC00 interrupt request is generated.

The up counter continues counting up. When a match between the up counter value and the value set to T01+00REG is detected, the output of the $\overline{\text{PPG1}}$ pin is reversed again. When T01MOD<TFF1> is "0", the $\overline{\text{PPG1}}$ pin changes from the "H" to "L" level. When T01MOD<TFF1> is "1", the $\overline{\text{PPG1}}$ pin changes from the "L" to "H" level. At this time, an INTTC01 interrupt request is generated and the up counter is cleared to "0x0000".

When T001CR<T01RUN> is set to "0" during the timer operation, the up counter is stopped and cleared to "0x0000". The $\overline{\text{PPG1}}$ pin returns to the level selected at T01MOD<TFF1>.

When an external source clock is selected, input the clock at the TC00 pin. The maximum frequency to be supplied is $f_{cgck}/2$ [Hz] (in NORMAL1/2 or IDLE1/2 mode) or $f_s/2^4$ [Hz] (in SLOW1/2 or SLEEP1 mode), and a pulse width of two machine cycles or more is required at both the "H" and "L" levels.

14.4.8.3 Double buffer

The double buffer can be used for T01+00PWM and T01+00REG by setting T01MOD<DBE1>. The double buffer is enabled by setting T01MOD<DBE1> to "0" or disabled by setting T01MOD<DBE1> to "1".

- When the double buffer is enabled

When a write instruction is executed on T01PWM after write instructions are executed on T00REG, T01REG and T00PWM during the timer operation, the set values are first stored in the double buffer, and T01+00PWM and T01+00REG are not updated immediately. T01+00PWM and T01+00REG compare the previous set values with the up counter value. When a match between the up counter value and the T01+00REG set value is detected, an INTTC01 interrupt request is generated and the double buffer set values are stored in T01+00PWM and T01+00REG. Subsequently, the match detection is executed using new set values.

When a write instruction is executed on T01PWM after write instructions are executed on T00REG, T01REG and T00PWM while the timer is stopped, the set values are immediately stored in both the double buffer and T01+00PWM and T01+00REG.

- When the double buffer is disabled

When a write instruction is executed on T01PWM after write instructions are executed on T00REG, T01REG and T00PWM during the timer operation, the set values are immediately stored in T01+00PWM and T01+00REG. Subsequently, the match detection is executed using new set values.

If the value set to T01+00PWM or T01+00REG is smaller than the up counter value, the $\overline{PPG1}$ pin is not reversed until the up counter overflows and a match detection is executed using a new set value. If the value set to T01+00PWM or T01+00REG is equal to the up counter value, the match detection is executed immediately after data is written into T01+00PWM and T01+00REG. Therefore, the timing of changing the $\overline{PPG1}$ pin may not be an integral multiple of the source clock. If these are problems, enable the double buffer.

When a write instruction is executed on T01PWM after write instructions are executed on T00REG, T01REG and T00PWM while the timer is stopped, the set values are immediately stored in T01+00PWM and T01+00REG.

When read instructions are executed on T01+00PWM and T01+00REG, the last value written into T01+00REG is read out, regardless of the T00MOD<DBE1> setting.

(Example) Operate TC00 and TC01 in the 16-bit PPG mode with the operation clock of fcgck/2 and output the 68μs duty pulse in 96μs cycles (fcgck = 8 MHz)

```
SET      (P7FC).1           ; Sets P7FC0 to "1"
SET      (P7CR).1          ; Sets P7CR0 to "1"
LD       (POFFCR0),0x10    ; Sets TC001EN to "1"
DI                               ; Sets the interrupt master enable flag to "disable"
SET      (EIRH).4          ; Sets the INTTC00 interrupt enable register to "1"
EI                               ; Sets the interrupt master enable flag to "enable"
LD       (T01MOD),0xF3     ; Selects the 8-bit PPG mode and fcgck/2
LD       (T00REG),0x80     ; Sets the timer register (cycle)
LD       (T01REG),0x01     ; Sets the timer register (cycle)
                               ; 96μs / (2/fcgck) = 0x0180
LD       (T00PWM),0x10     ; Sets the timer register (duty pulse)
LD       (T01PWM),0x01     ; Sets the timer register (duty pulse)
                               ; 68μs / (2/fcgck) = 0x0110
LD       (T001CR),0x06     ; Starts TC00 and TC01
```


15. Asynchronous Serial Interface (UART)

The TMP89FM82 contains 2 channels of asynchronous serial interfaces (UART).

This chapter describes asynchronous serial interface 0 (UART0). For UART1, replace the SFR addresses and pin names as shown in Table 15-1 and Table 15-2.

Table 15-1 SFR Address Assignment

	UARTxCR1 (address)	UARTxCR2 (address)	UARTxDR (address)	UARTxSR (address)	RDXBUF (address)	TDXBUF (address)
UART0	UART0CR1 (0x001A)	UART0CR2 (0x001B)	UART0DR (0x001C)	UART0SR (0x001D)	RD0BUF (0x001E)	TD0BUF (0x001E)
UART1	UART1CR1 (0x0F54)	UART1CR2 (0x0F55)	UART1DR (0x0F56)	UART1SR (0x0F57)	RD1BUF (0x0F58)	TD1BUF (0x0F58)

Table 15-2 Pin Names

	Serial data input pin	Serial data output pin
UART0	RXD0 pin	TXD0 pin
UART1	RXD1 pin	TXD1 pin

15.1 Configuration

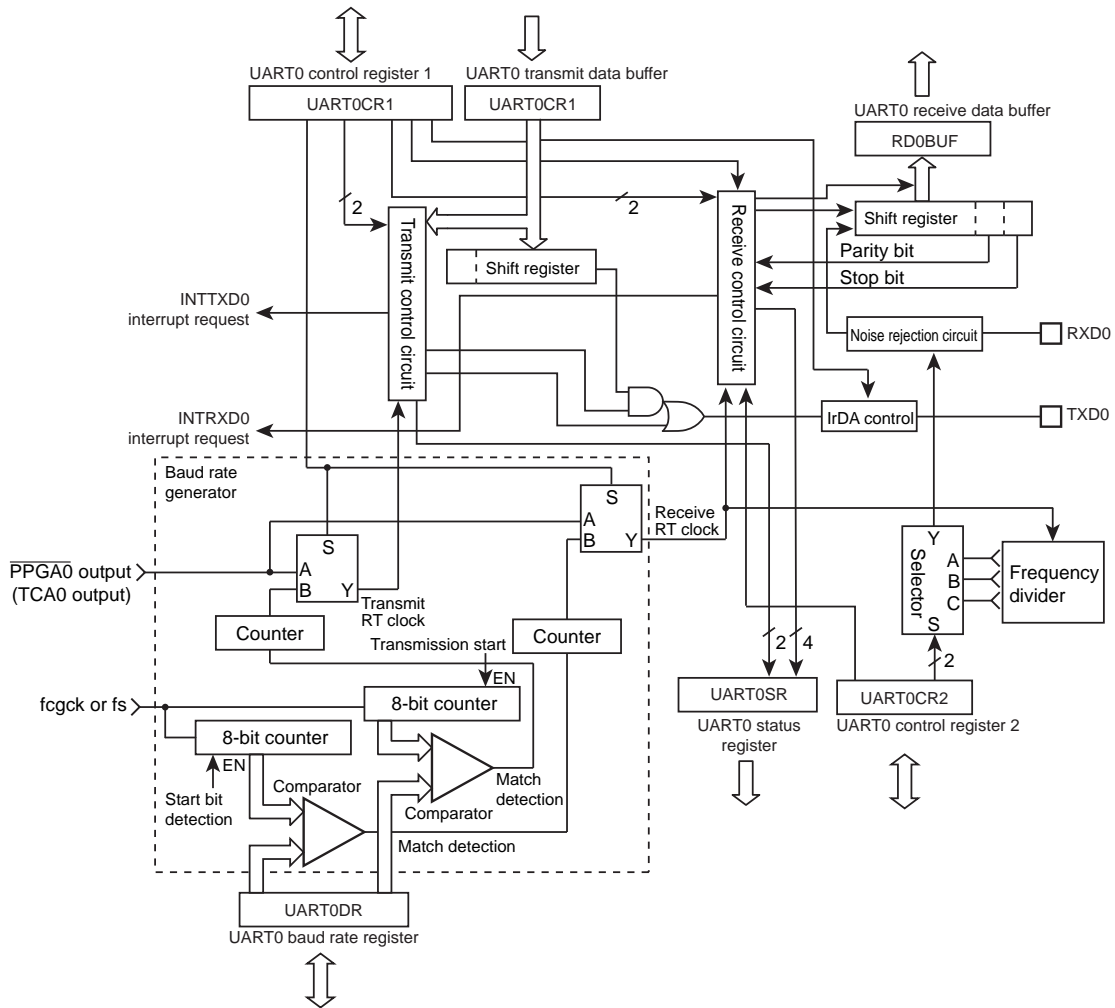


Figure 15-1 Asynchronous Serial Interface (UART)

15.2 Control

UART0 is controlled by the low power consumption registers (POFFCR1), UART0 control registers 1 and 2 (UART0CR1 and UART0CR2) and the UART0 baud rate register (UART0DR). The operating status can be monitored using the UART status register (UART0SR).

Low power consumption register 1

POFFCR1 (0x0F75)	7	6	5	4	3	2	1	0
Bit Symbol	-	-	-	-	-	-	UART1EN	UART0EN
Read/Write	R/W	R/W	R/W	R/W	R/W	R/W	R/W	R/W
After reset	0	0	0	0	0	0	0	0

UART1EN	UART1 control	0	Disable
		1	Enable
UART0EN	UART0 control	0	Disable
		1	Enable



UART0 control register 1

UART0CR1 (0x001A)	7	6	5	4	3	2	1	0
Bit Symbol	TXE	RXE	STOPBT	EVEN	PE	IRDASEL	BRG	-
Read/Write	R/W	R/W	R/W	R/W	R/W	R/W	R/W	R
After reset	0	0	0	0	0	0	0	0

TXE	Transmit operation	0:	Disable
		1:	Enable
RXE	Receive operation	0:	Disable
		1:	Enable
STOPBT	Transmit stop bit length	0:	1 bit
		1:	2 bits
EVEN	Parity selection	0:	Odd-numbered parity
		1:	Even-numbered parity
PE	Parity addition	0:	No parity
		1:	Parity added
IRDASEL	TXD pin output selection	0:	UART output
		1:	IrDA output
BRG	Transfer base clock selection		When SYSCR2<SYSCK> is "0"
			When SYSCR2<SYSCK> is "1"
		0:	fgck
	1:	TCA0 output	

Note 1: fgck, Gear clock; fs, Low-frequency clock

Note 2: If the TXE or RXE bit is set to "0" during the transmission or receiving of data, the operation is not disabled until the data transfer is completed. At this time, the data stored in the transmit data buffer is discarded.

Note 3: EVEN, PE and BRG settings are common to transmission and receiving.

Note 4: Set RXE and TXE to "0" before changing BRG.

Note 5: When BRG is set to the TCA0 output, the RT clock becomes asynchronous and the start bit of the transmitted/received data may get shorter by a maximum of $(UART0DR+1)/(Transfer\ base\ clock\ frequency)[s]$.

If the pin is not used for the TCA0 output, control the TCA0 output by using the port function control register.

Note 6: To prevent STOPBT, EVEN, PE, IRDASEL and BRG from being changed accidentally during the UART communication, the register cannot be rewritten during the UART operation. For details, refer to "15.4 Protection to Prevent UART0CR1 and UART0CR2 Registers from Being Changed".

Note 7: When the STOP, IDLE0 or SLEEP0 mode is activated, TXE and RXE are cleared to "0" and the UART stops. Other bits keep their values.

UART0 control register 2

UART0CR2 (0x001B)	7	6	5	4	3	2	1	0
Bit Symbol	-	-	RTSEL			RXDNC		STOPBR
Read/Write	R	R	R/W			R/W		R/W
After reset	0	0	0	0	0	0	0	0

RTSEL	Selects the number of RT clocks		Odd-numbered bits of transfer frame	Even-numbered bits of transfer frame
		000:	16 clocks	16 clocks
		001:	16 clocks	17 clocks
		010:	15 clocks	15 clocks
		011:	15 clocks	16 clocks
		100:	17 clocks	17 clocks
		101:	Reserved	
		11*:	Reserved	
RXDNC	Selects the RXD input noise rejection time (Time of pulses to be removed as noise)			
		00:	No noise rejection	
		01:	$1 \times (\text{UART0DR}+1)/(\text{Transfer base clock frequency})$ [s]	
		10:	$2 \times (\text{UART0DR}+1)/(\text{Transfer base clock frequency})$ [s]	
		11:	$4 \times (\text{UART0DR}+1)/(\text{Transfer base clock frequency})$ [s]	
STOPBR	Receive stop bit length			
		0:	1 bit	
		1:	2 bits	

- Note 1: When a read instruction is executed on UART0CR2, bits 7 and 6 are read as "0".
- Note 2: RTSEL can be set to two kinds of RT clocks for the even- and odd-numbered bits of the transfer frame. For details, refer to "15.8.1 Transfer baud rate calculation method".
- Note 3: For details of the RXDNC noise rejection time, refer to "15.10 Received Data Noise Rejection".
- Note 4: When the STOP, IDLE0 or SLEEP0 mode is activated, the UART stops automatically but each bit value of UART0CR2 remains unchanged.
- Note 5: When STOPBR is set to 2 bits, the first bit of the stop bits (during data receiving) is not checked for a framing error.
- Note 6: To prevent RTSEL, RXDNC and STOPBR from being changed accidentally during the UART communication, the register cannot be rewritten during the UART operation. For details, refer to "15.4 Protection to Prevent UART0CR1 and UART0CR2 Registers from Being Changed".

UART0 baud rate register

UART0DR (0x001C)	7	6	5	4	3	2	1	0
Bit Symbol	UART0DR7	UART0DR6	UART0DR5	UART0DR4	UART0DR3	UART0DR2	UART0DR1	UART0DR0
Read/Write	R/W	R/W	R/W	R/W	R/W	R/W	R/W	R/W
After reset	0	0	0	0	0	0	0	0

- Note 1: Set UART0CR1<RXE> and UART0CR1<TXE> to "0" before changing UART0DR. For the set values, refer to "15.8 Transfer Baud Rate".
- Note 2: When UART0CR1<BRG> is set to the TCA0 output, the value set to UART0DR has no meaning.
- Note 3: When the STOP, IDLE0 or SLEEP0 mode is activated, the UART stops automatically but each bit value of UART0DR remains unchanged.

UART0 status register

UART0SR (0x001D)	7	6	5	4	3	2	1	0
Bit Symbol	PERR	FERR	OERR	-	RBSY	RBFL	TBSY	TBFL
Read/Write	R	R	R	R	R	R	R	R
After reset	0	0	0	0	0	0	0	0

PERR	Parity error flag	0: No parity error 1: Parity error
FERR	Framing error flag	0: No framing error 1: Framing error
OERR	Overrun error flag	0: No overrun error 1: Overrun error
RBSY	Receive busy flag	0: Before receiving or end of receiving 1: On receiving
RBFL	Receive buffer full flag	0: Receive buffer empty 1: Receive buffer full
TBSY	Transmit busy flag	0: Before transmission or end of transmission 1: On transmitting
TBFL	Transmit buffer full flag	0: Transmit buffer empty 1: Transmit buffer full (Transmit data writing is completed)

Note 1: TBFL is cleared to "0" automatically after an INTTXD0 interrupt request is generated, and is set to "1" when data is set to TD0BUF.

Note 2: When a read instruction is executed on UART0SR, bit 4 is read as "0".

Note 3: When the STOP, IDLE0 or SLEEP0 mode is activated, each bit of UART0SR is cleared to "0" and the UART stops.

UART0 receive data buffer

RD0BUF (0x001E)	7	6	5	4	3	2	1	0
Bit Symbol	RD0DR7	RD0DR6	RD0DR5	RD0DR4	RD0DR3	RD0DR2	RD0DR1	RD0DR0
Read/Write	R	R	R	R	R	R	R	R
After reset	0	0	0	0	0	0	0	0

Note 1: When the STOP, IDLE0 or SLEEP0 mode is activated, the RD0BUF values become undefined. If received data is required, read it before activating the mode.

UART0 transmit data buffer

TD0BUF (0x001E)	7	6	5	4	3	2	1	0
Bit Symbol	TD0DR7	TD0DR6	TD0DR5	TD0DR4	TD0DR3	TD0DR2	TD0DR1	TD0DR0
Read/Write	W	W	W	W	W	W	W	W
After reset	0	0	0	0	0	0	0	0

Note 1: When the STOP, IDLE0 or SLEEP0 mode is activated, the TD0BUF values become undefined.

15.3 Low Power Consumption Function

UART0 has a low power consumption register (POFFCR1) that saves power consumption when the UART function is not used.

Setting POFFCR1<UART0EN> to "0" disables the basic clock supply to UART0 to save power. Note that this renders the UART unusable. Setting POFFCR1<UART0EN> to "1" enables the basic clock supply to UART0 and renders the UART usable.

After reset, POFFCR1<UART0EN> is initialized to "0", and this renders the UART unusable. When using the UART for the first time, be sure to set POFFCR1<UART0EN> to "1" in the initial setting of the program (before the UART control register is operated).

Do not change POFFCR1<UART0EN> to "0" during the UART operation, otherwise UART0 may operate unexpectedly.



15.4 Protection to Prevent UART0CR1 and UART0CR2 Registers from Being Changed

The TMP89FM82 has a function that protects the registers from being changed so that the UART communication settings (for example, stop bit and parity) are not changed accidentally during the UART operation.

Specific bits of UART0CR1 and UART0CR2 can be changed only under the conditions shown in Table 15-3. If a write instruction is executed on the register when it is protected from being changed, the bits remain unchanged and keep their previous values.

Table 15-3 Changing of UART0CR1 and UART0CR2

Bit to be changed	Function	Conditions that allow the bit to be changed			
		UART0CR1 <TXE>	UART0SR <TBSY>	UART0CR1 <RXE>	UART0SR <RBSY>
UART0CR1<STOPBT>	Transmit stop bit length	Both of these bits are "0"		-	-
UART0CR1<EVEN>	Parity selection	All of these bits are "0"			
UART0CR1<PE>	Parity addition				
UART0CR1<IRDASEL>	TXD pin output selection	Both of these bits are "0"		-	-
UART0CR1<BRG>	Transfer base clock selection	All of these bits are "0"			
UART0CR2<RTSEL>	Selection of number of RT clocks				
UART0CR2<RXDNC>	Selection of RXD pin input noise rejection time	-	-	Both of these bits are "0"	
UART0CR2<STOPBR>	Receive stop bit length				

15.5 Activation of STOP, IDLE0 or SLEEP0 Mode

15.5.1 Transition of register status

When the STOP, IDLE0 or SLEEP0 mode is activated, the UART stops automatically and each register becomes the status as shown in Table 15-4. For the registers that do not hold their values, make settings again as needed after the operation mode is recovered.

Table 15-4 Transition of Register Status

	7	6	5	4	3	2	1	0
UART0CR1	TXE	RXE	STOPBT	EVEN	PE	IRDASEL	BRG	-
	Cleared to 0	Cleared to 0	Hold the value	Hold the value	Hold the value	Hold the value	Hold the value	-
UART0CR2	-	-	RTSEL			RXDNC		STOPBR
	-	-	Hold the value	Hold the value	Hold the value	Hold the value	Hold the value	Hold the value
UART0SR	PERR	FERR	OERR	-	RBSY	RBFL	TBSY	TBFL
	Cleared to 0	Cleared to 0	Cleared to 0	-	Cleared to 0	Cleared to 0	Cleared to 0	Cleared to 0
UART0DR	UART0DR7	UART0DR6	UART0DR5	UART0DR4	UART0DR3	UART0DR2	UART0DR1	UART0DR0
	Hold the value	Hold the value	Hold the value	Hold the value	Hold the value	Hold the value	Hold the value	Hold the value
RD0BUF	RD0DR7	RD0DR6	RD0DR5	RD0DR4	RD0DR3	RD0DR2	RD0DR1	RD0DR0
	Indeterminate	Indeterminate	Indeterminate	Indeterminate	Indeterminate	Indeterminate	Indeterminate	Indeterminate
TD0BUF	TD0DR7	TD0DR6	TD0DR5	TD0DR4	TD0DR3	TD0DR2	TD0DR1	TD0DR0
	Indeterminate	Indeterminate	Indeterminate	Indeterminate	Indeterminate	Indeterminate	Indeterminate	Indeterminate

15.5.2 Transition of TXD pin status

When the IDLE0, SLEEP0 or STOP mode is activated, the TXD pin reverts to the status shown in Table 15-5, whether data is transmitted/received or the operation is stopped.

Table 15-5 TXD Pin Status When the STOP, IDLE0 or SLEEP0 Mode Is Activated

UART0CR1 <IRDASEL>	IDLE0 or SLEEP0 mode	STOP mode	
		SYSCR1<OUTEN>="1"	SYSCR1<OUTEN>="0"
"0"	H level	H level	Hi-Z
"1"	L level	L level	

15.6 Transfer Data Format

The UART transfers data composed of the following four elements. The data from the start bit to the stop bit is collectively defined as a "transfer frame". The start bit consists of 1 bit (L level) and the data consists of 8 bits. Parity bits are determined by UART0CR1<PE> that selects the presence or absence of parity and UART0CR1<EVEN> that selects even- or odd-numbered parity. The bit length of the stop bit can be selected at UART0CR1<STBT>.

Figure 15-2 shows the transfer data format.

- Start bit (1 bit)
- Data (8 bits)
- Parity bit (selectable from even-numbered, odd-numbered or no parity)
- Stop bit (selectable from 1 bit or 2 bits)

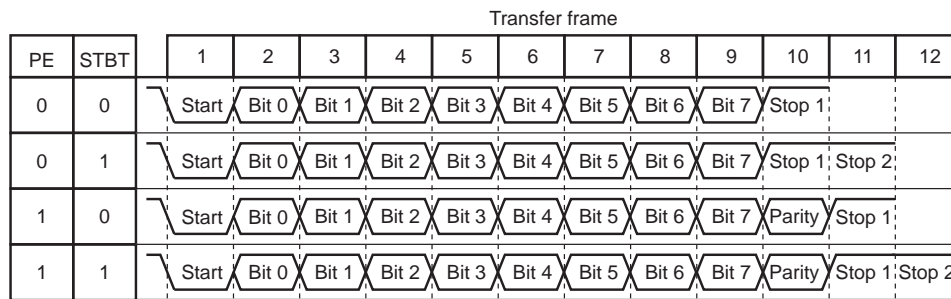


Figure 15-2 Transfer Data Format

15.7 Infrared Data Format Transfer Mode

The TXD0 pin can output data in the infrared data format (IrDA) by the setting of the IrDA output control register. Setting UART0CR1<IRDASEL> to "1" allows the TXD0 pin to output data in the infrared data format.

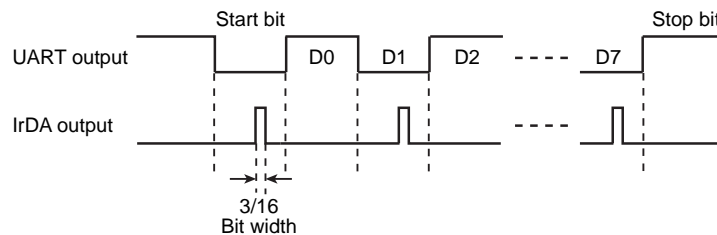


Figure 15-3 Example of Infrared Data Format (Comparison between Normal Output and IrDA Output)

15.8 Transfer Baud Rate

The transfer baud rate of UART is set by UART0CR1<BRG>, UART0DR and UART0CR2<RTSEL>. The settings of UART0DR and UART0CR2<RTSEL> for general baud rates and operating frequencies are shown below.

For independent calculation of transfer baud rates, refer to "15.8.1 Transfer baud rate calculation method".

Table 15-6 Set Values of UART0DR and UART0CR2<RTSEL> for Transfer Baud Rates (fcgck=8 to 1 MHz, UART0CR2<RXDNC>=0y00)

Basic baud rate [baud]	Register	Operating frequency									
		8MHz	7.3728 MHz	6.144 MHz	6MHz	5MHz	4.9152 MHz	4.19MHz	4MHz	2MHz	1MHz
128000	UART0DR	0x03	-	0x02	0x02	-	-	0x01	0x01	0x00	-
	RTSEL	0y011	-	0y000	0y011	-	-	0y001	0y011	0y011	-
	Error	(+0.81%)	-	(0%)	(+0.81%)	-	-	(-0.80%)	(+0.81%)	(+0.81%)	-
115200	UART0DR	0x03	0x03	-	0x02	-	-	-	0x01	0x00	-
	RTSEL	0y100	0y000	-	0y100	-	-	-	0y100	0y100	-
	Error	(+2.12%)	(0%)	-	(+2.12%)	-	-	-	(+2.12%)	(+2.12%)	-
76800	UART0DR	0x06	0x05	0x04	0x04	0x03	0x03	-	0x02	-	-
	RTSEL	0y010	0y000	0y000	0y011	0y001	0y000	-	0y100	-	-
	Error	(-0.79%)	(0%)	(0%)	(+0.81%)	(-1.36%)	(0%)	-	(+2.12%)	-	-
62500	UART0DR	0x07	0x06	0x05	0x05	0x04	0x04	0x03	0x03	0x01	0x00
	RTSEL	0y000	0y100	0y001	0y000	0y000	0y011	0y100	0y000	0y000	0y000
	Error	(0%)	(-0.87%)	(-0.70%)	(0%)	(0%)	(+1.48%)	(-1.41%)	(0%)	(0%)	(0%)
57600	UART0DR	0x08	0x07	0x06	0x06	0x04	0x04	-	0x03	0x01	0x00
	RTSEL	0y011	0y000	0y010	0y010	0y100	0y100	-	0y100	0y100	0y100
	Error	(-0.44%)	(0%)	(+1.59%)	(-0.79%)	(+2.12%)	(+0.39%)	-	(+2.12%)	(+2.12%)	(+2.12%)
38400	UART0DR	0x0C	0x0B	0x09	0x09	0x07	0x07	0x06	0x06	0x02	-
	RTSEL	0y000	0y000	0y000	0y011	0y001	0y000	0y011	0y010	0y100	-
	Error	(+0.16%)	(0%)	(0%)	(+0.81%)	(-1.36%)	(0%)	(+0.57%)	(-0.79%)	(+2.12%)	-
19200	UART0DR	0x19	0x17	0x13	0x12	0x10	0x0F	0x0D	0x0C	0x06	0x02
	RTSEL	0y000	0y000	0y000	0y001	0y011	0y000	0y011	0y000	0y010	0y100
	Error	(+0.16%)	(0%)	(0%)	(-0.32%)	(-1.17%)	(0%)	(+0.57%)	(+0.16%)	(-0.79%)	(+2.12%)
9600	UART0DR	0x30	0x2F	0x27	0x26	0x22	0x1F	0x1C	0x19	0x0C	0x06
	RTSEL	0y100	0y000	0y000	0y000	0y010	0y000	0y010	0y000	0y000	0y010
	Error	(+0.04%)	(0%)	(0%)	(+0.16%)	(-0.79%)	(0%)	(+0.34%)	(+0.16%)	(+0.16%)	(-0.79%)
4800	UART0DR	0x64	0x5F	0x4F	0x4D	0x40	0x3F	0x34	0x30	0x19	0x0C
	RTSEL	0y001	0y000	0y000	0y000	0y000	0y000	0y001	0y100	0y000	0y000
	Error	(+0.01%)	(0%)	(0%)	(+0.16%)	(+0.16%)	(0%)	(-0.18%)	(+0.04%)	(+0.16%)	(+0.16%)
2400	UART0DR	0xC9	0xBF	0x9F	0x92	0x8A	0x7F	0x6C	0x64	0x30	0x19
	RTSEL	0y001	0y000	0y000	0y100	0y010	0y000	0y000	0y001	0y100	0y000
	Error	(+0.01%)	(0%)	(0%)	(+0.04%)	(-0.08%)	(0%)	(+0.11%)	(+0.01%)	(+0.04%)	(+0.16%)
1200	UART0DR	-	-	-	-	0xF4	0xFF	0xE8	0xC9	0x64	0x30
	RTSEL	-	-	-	-	0y100	0y000	0y010	0y001	0y001	0y100
	Error	-	-	-	-	(+0.04%)	(+0%)	(-0.10%)	(+0.01%)	(+0.01%)	(+0.04%)

Table 15-7 Set Values of UART0DR and UART0CR2<RTSEL> for Transfer Baud Rates (fs=32.768 kHz, UART0CR2<RXDNC>=0y00)

Basic baud rate [baud]	Register	Operating frequency
		32.768 kHz
300	UART0DR	0x06
	RTSEL	0y011
	Error	(+0.67%)
150	UART0DR	0x0D
	RTSEL	0y011
	Error	(+0.67%)
134	UART0DR	0x0E
	RTSEL	0y001
	Error	(-1.20%)
110	UART0DR	0x11
	RTSEL	0y001
	Error	(+0.30%)
75	UART0DR	0x1C
	RTSEL	0y010
	Error	(+0.44%)

Note 1: The overall error from the basic baud rate must be within $\pm 3\%$. Even if the overall error is within $\pm 3\%$, the communication may fail due to factors such as frequency errors in external controllers (for example, a personal computer) and oscillators and the load capacity of the communication pin.

15.8.1 Transfer baud rate calculation method

15.8.1.1 Bit width adjustment using UART0CR2<RTSEL>

The bit width of transmitted/received data can be finely adjusted by changing UART0CR2<RTSEL>. The number of RT clocks per bit can be changed in a range of 15 to 17 clocks by changing UART0CR2<RTSEL>. The RT clock is the transfer base clock, which is the pulses obtained by counting the clock selected at UART0CR1<BRG> the number of times of (UART0DR set value) + 1. Especially, when UART0CR2<RTSEL> is set to "0y001" or "0y011", two types of RT clocks alternate at each bit, so that the pseudo baud rates of $RT \times 15.5$ clocks and $RT \times 16.5$ clocks can be generated. The number of RT clocks per bit of transfer frame is shown in Figure 15-4.

For example, when fcgck is 4 [MHz], UART0CR2<RTSEL> is set to "0y000" and UART0DR is set to "0x19", the baud rate calculated using the formula in Figure 15-4 is expressed as:

$$\text{fcgck} / (16 \times (\text{UART0DR} + 1)) = 9615 \text{ [baud]}$$

These settings generate a baud rate close to 9600 [baud] (+0.16%).

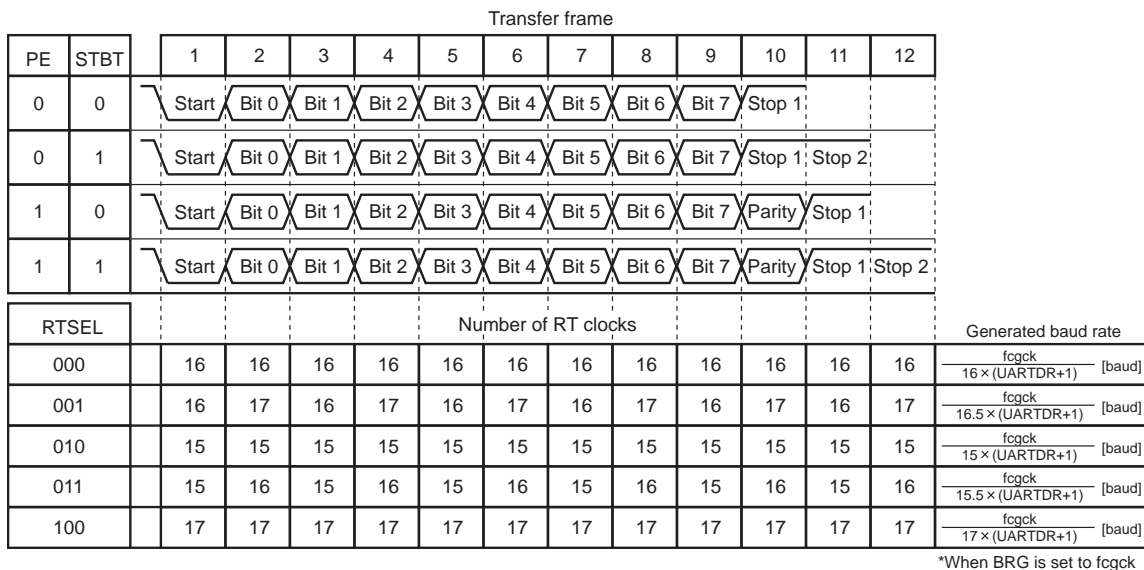


Figure 15-4 Fine Adjustment of Baud Rate Clock Using UART0CR2<RTSEL>

15.8.1.2 Calculation of set values of UART0CR2<RTSEL> and UART0DR

The set value of UART0DR for an operating frequency and baud rate can be calculated using the calculation formula shown in Figure 15-5. For example, to generate a basic baud rate of 38400 [baud] with fcgck=4 [MHz], calculate the set value of UART0DR for each setting of UART0CR2<RTSEL> and compensate the calculated value to a positive number to obtain the generated baud rate as shown in Figure 15-6. Basically, select the set value of UART0CR2<RTSEL> that has the smallest baud rate error from among the generated baud rates. In Figure 15-6, the setting of UART0CR2<RTSEL>="0y010" has the smallest error among the calculated baud rates, and thus the generated baud rate is 38095 [baud] (-0.79%) against the basic baud rate of 38400 [baud].

Note: The error from the basic baud rate should be accurate to within ±3%. Even if the error is within ±3%, the communication may fail due to factors such as frequency errors of external controllers (for example, a personal computer) and oscillators and the load capacity of the communication pin.

RTSEL	UARTDR set value
000	$UARTDR = \frac{fcgck [Hz]}{16 \times A [baud]} - 1$
001	$UARTDR = \frac{fcgck [Hz]}{16.5 \times A [baud]} - 1$
010	$UARTDR = \frac{fcgck [Hz]}{15 \times A [baud]} - 1$
011	$UARTDR = \frac{fcgck [Hz]}{15.5 \times A [baud]} - 1$
100	$UARTDR = \frac{fcgck [Hz]}{17 \times A [baud]} - 1$

Figure 15-5 UART0DR Calculation Method (When BRG Is Set to fcgck)

RTSEL	UARTDR calculation	Generated baud rate
000	$\text{UARTDR} = \frac{4000000 \text{ [Hz]}}{16 \times 38400 \text{ [baud]}} - 1 \approx 6$	$\frac{4000000 \text{ [Hz]}}{16 \times (6 + 1)} = 35714 \text{ [baud]} (-6.99\%)$
001	$\text{UARTDR} = \frac{4000000 \text{ [Hz]}}{16.5 \times 38400 \text{ [baud]}} - 1 \approx 5$	$\frac{4000000 \text{ [Hz]}}{16.5 \times (5 + 1)} = 40404 \text{ [baud]} (+5.22\%)$
010	$\text{UARTDR} = \frac{4000000 \text{ [Hz]}}{15 \times 38400 \text{ [baud]}} - 1 \approx 6$	$\frac{4000000 \text{ [Hz]}}{15 \times (6 + 1)} = 38095 \text{ [baud]} (-0.79\%)$
011	$\text{UARTDR} = \frac{4000000 \text{ [Hz]}}{15.5 \times 38400 \text{ [baud]}} - 1 \approx 6$	$\frac{4000000 \text{ [Hz]}}{15.5 \times (6 + 1)} = 36866 \text{ [baud]} (-3.99\%)$
100	$\text{UARTDR} = \frac{4000000 \text{ [Hz]}}{17 \times 38400 \text{ [baud]}} - 1 \approx 5$	$\frac{4000000 \text{ [Hz]}}{17 \times (5 + 1)} = 39216 \text{ [baud]} (+2.12\%)$

Figure 15-6 Example of UART0DR Calculation

15.9 Data Sampling Method

The UART receive control circuit starts RT clock counting when it detects a falling edge of the input pulses to the RXD0 pin. 15 to 17 RT clocks are counted per bit and each clock is expressed as RTn (n=16 to 0). In a bit that has 17 RT clocks, RT16 to RT0 are counted. In a bit that has 16 RT clocks, RT15 to RT0 are counted. In a bit that has 15 RT clocks, RT14 to RT0 are counted (Decrement). During counting of RT8 to RT6, the UART receive control circuit samples the input pulses to the RXD0 pin to make a majority decision. The same level detected twice or more from among three samplings is processed as the data for the bit.

The number of RT clocks can be changed in a range of 15 to 17 by setting UART0CR2<RTSEL>. However, sampling is always executed in RT8 to RT6, even if the number of RT clocks is changed (Figure 15-7).

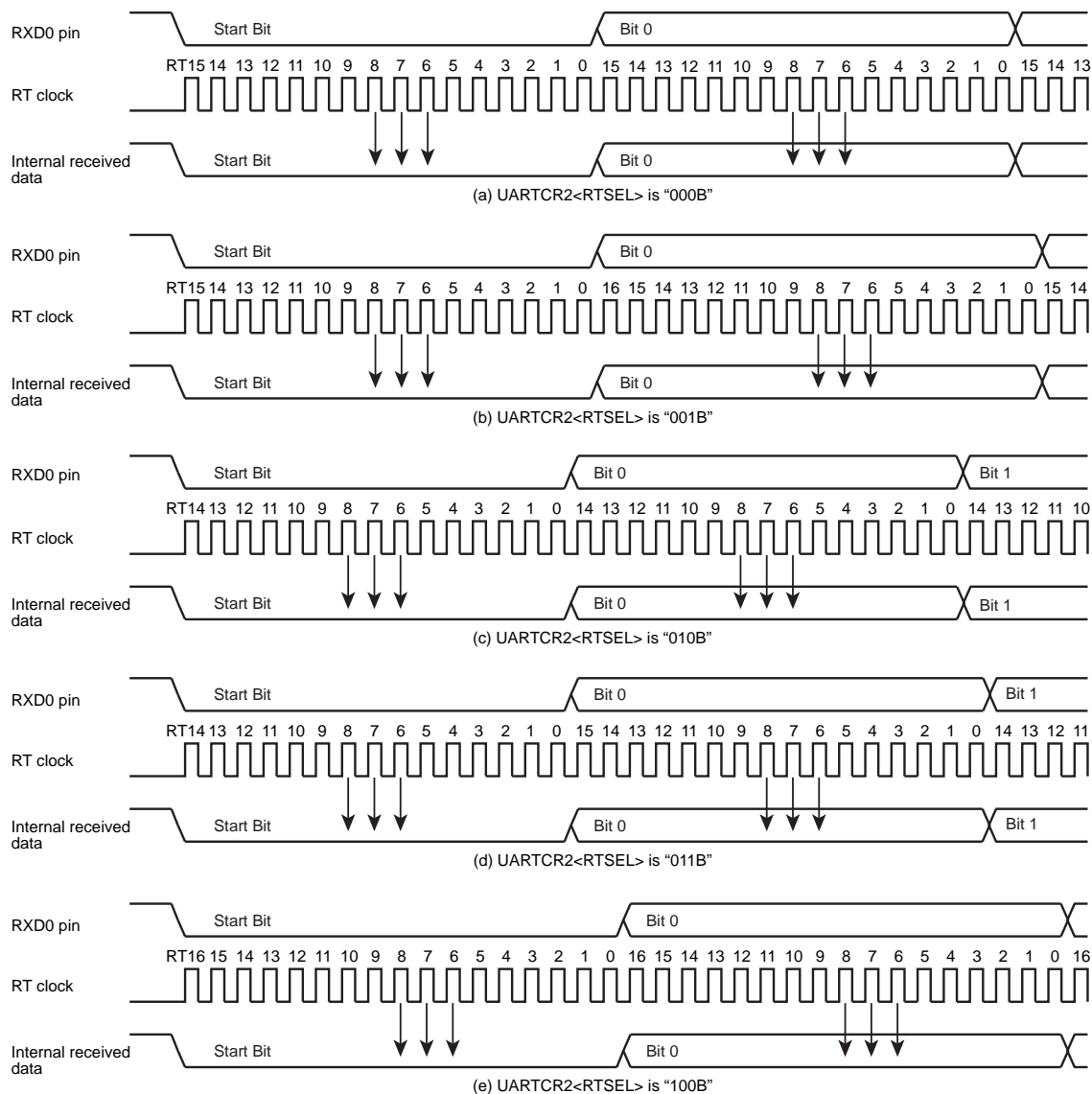


Figure 15-7 Data Sampling in Each Case of UARTCR2<RTSEL>

If "1" is detected in sampling of the start bit, for example, due to the influence of noise, RT clock counting stops and the data receiving is suspended. Subsequently, when a falling edge is detected in the input pulses to the RXD0 pin, RT clock counting restarts and the data receiving restarts with the start bit.

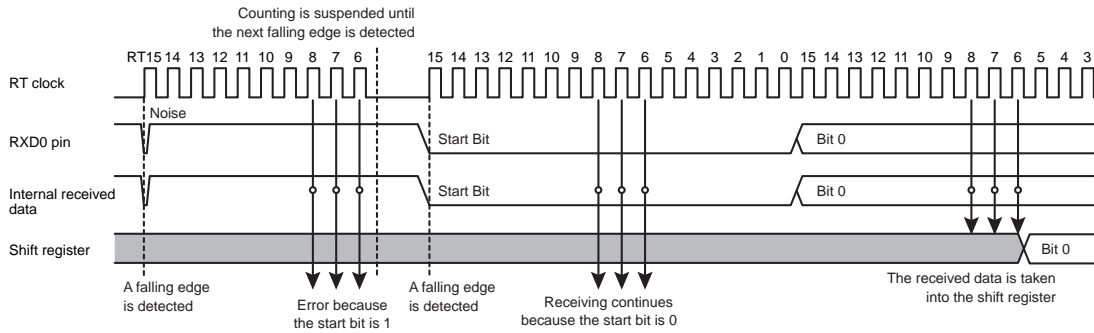


Figure 15-8 Start Bit Sampling

15.10 Received Data Noise Rejection

When noise rejection is enabled at UART0CR2<RXDNC>, the time of pulses to be regarded as signals is as shown in Table 15-8.

Table 15-8 Received Data Noise Rejection Time

RXDNC	Noise rejection time [s]	Time of pulses to be regarded as signals
00	No noise rejection	-
01	$(UART0DR+1)/(\text{Transfer base clock frequency})$	$2 \times (UART0DR+1)/(\text{Transfer base clock frequency})$
10	$2 \times (UART0DR+1)/(\text{Transfer base clock frequency})$	$4 \times (UART0DR+1)/(\text{Transfer base clock frequency})$
11	$4 \times (UART0DR+1)/(\text{Transfer base clock frequency})$	$8 \times (UART0DR+1)/(\text{Transfer base clock frequency})$

Note 1: The transfer base clock frequency is the clock frequency selected at UARTCR1<BRG>.

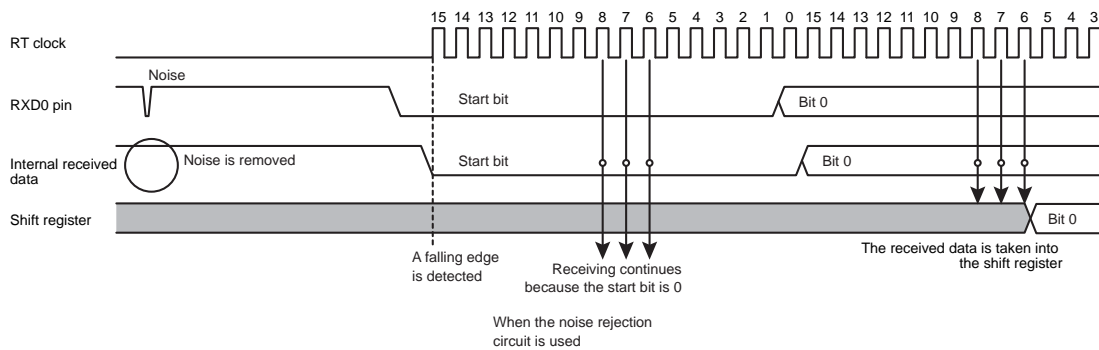


Figure 15-9 Received Data Noise Rejection

15.11 Transmit/Receive Operation

15.11.1 Data transmit operation

Set UART0CR1<TXE> to "1". Check UART0SR<TBFL> = "0", and then write data into TD0BUF (transmit data buffer). Writing data into TD0BUF sets UART0SR<TBFL> to "1", transfers the data to the transmit shift register, and outputs the data sequentially from the TXD0 pin. The data output includes a start bit, stop bits whose number is specified in UART0CR1<STBT> and a parity bit if parity addition is specified. Select the data transfer baud rate using UART0CR1<BRG>, UART0CR2<RTSEL> and UART0DR. When data transmission starts, the transmit buffer full flag UART0SR<TBFL> is cleared to "0" and an INTTXD0 interrupt request is generated.

Note 1: After data is written into TD0BUF, if new data is written into TD0BUF before the previous data is transferred to the shift register, the new data is written over the previous data and is transferred to the shift register.

Note 2: Under the conditions shown in Table 15-9, the TXD0 pin output is fixed at the L or H level according to the setting of UART0CR1<IRDASEL>.

Table 15-9 TXD0 Pin Output

Condition	TXD0 pin output	
	IRDASEL="0"	IRDASEL="1"
When UART0CR1<TXE> is "0"	H level	L level
From when "1" is written to UART0CR1<TXE> to when the transmitted data is written to TD0BUF		
When the STOP, IDLE0 or SLEEP0 mode is active		

15.11.2 Data receive operation

Set UART0CR1<RXE> to "1". When data is received via the RXD0 pin, the received data is transferred to RD0BUF (receive data buffer). At this time, the transmitted data includes a start bit, stop bit(s) and a parity bit if parity addition is specified. When the stop bit(s) are received, data only is extracted and transferred to RD0BUF (receive data buffer). Then the receive buffer full flag UART0SR<RBFL> is set and an INTRXD0 interrupt request is generated. Set the data transfer baud rate using UART0CR1<BRG>, UART0CR2<RTSEL> and UART0DR.

If an overrun error occurs when data is received, the data is not transferred to RD0BUF (receive data buffer) but discarded; data in the RD0BUF is not affected.

15.12 Status Flag

15.12.1 Parity error

When the parity determined using the receive data bits differs from the received parity bit, the parity error flag UART0SR<PERR> is set to "1". At this time, an INTRXD0 interrupt request is generated.

If UART0SR<PERR> is "1" when UART0SR is read, UART0SR<PERR> will be cleared to "0" when RD0BUF is read subsequently. (The RD0BUF read value becomes undefined.)

If UART0SR<PERR> is set to "1" after UART0SR is read, UART0SR<PERR> will not be cleared to "0" when RD0BUF is read subsequently. In this case, UART0SR<PERR> will be cleared to "0" when UART0SR is read again and RD0BUF is read.

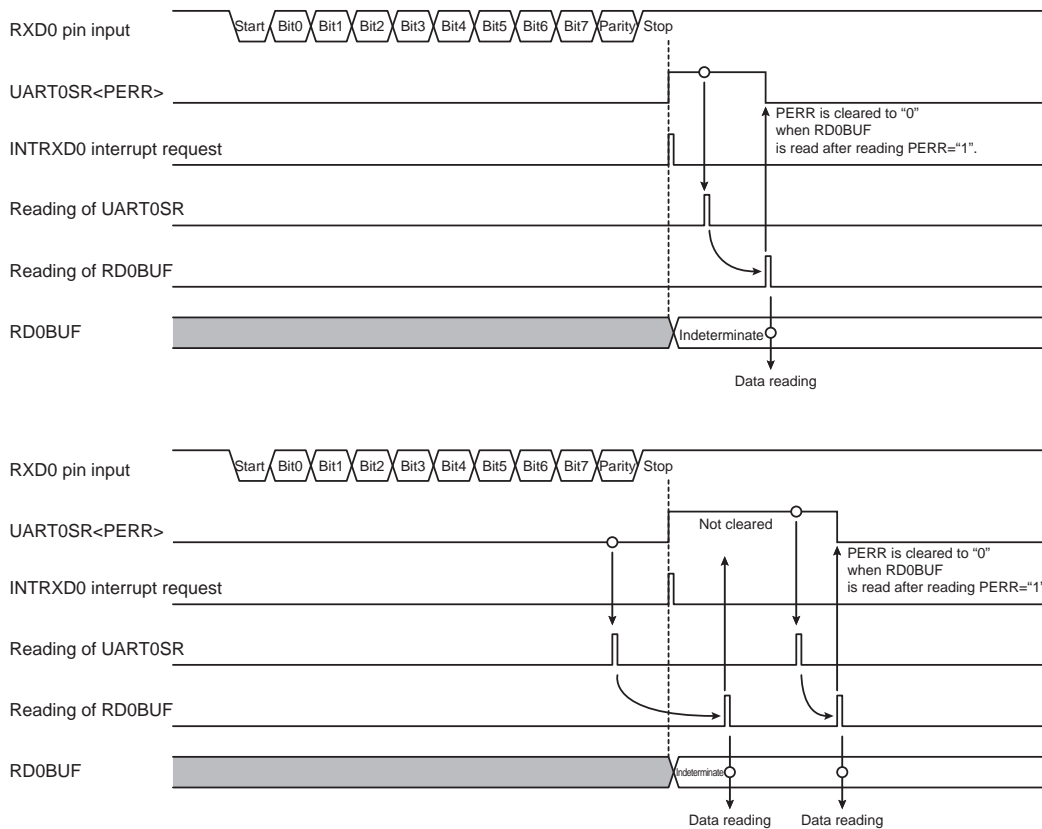


Figure 15-10 Occurrence of Parity Error

15.12.2 Framing Error

If the internal and external baud rates differ or "0" is sampled as the stop bit of received data due to the influence of noise on the RXD0 pin, the framing error flag UART0SR<FERR> is set to "1". At this time, an INTRXD0 interrupt request is generated.

If UART0SR<FERR> is "1" when UART0SR is read, UART0SR<FERR> will be cleared to "0" when RD0BUF is read subsequently.

If UART0SR<FERR> is set to "1" after UART0SR is read, UART0SR<FERR> will not be cleared to "0" when RD0BUF is read subsequently. In this case, UART0SR<FERR> will be cleared to "0" when UART0SR is read again and RD0BUF is read.

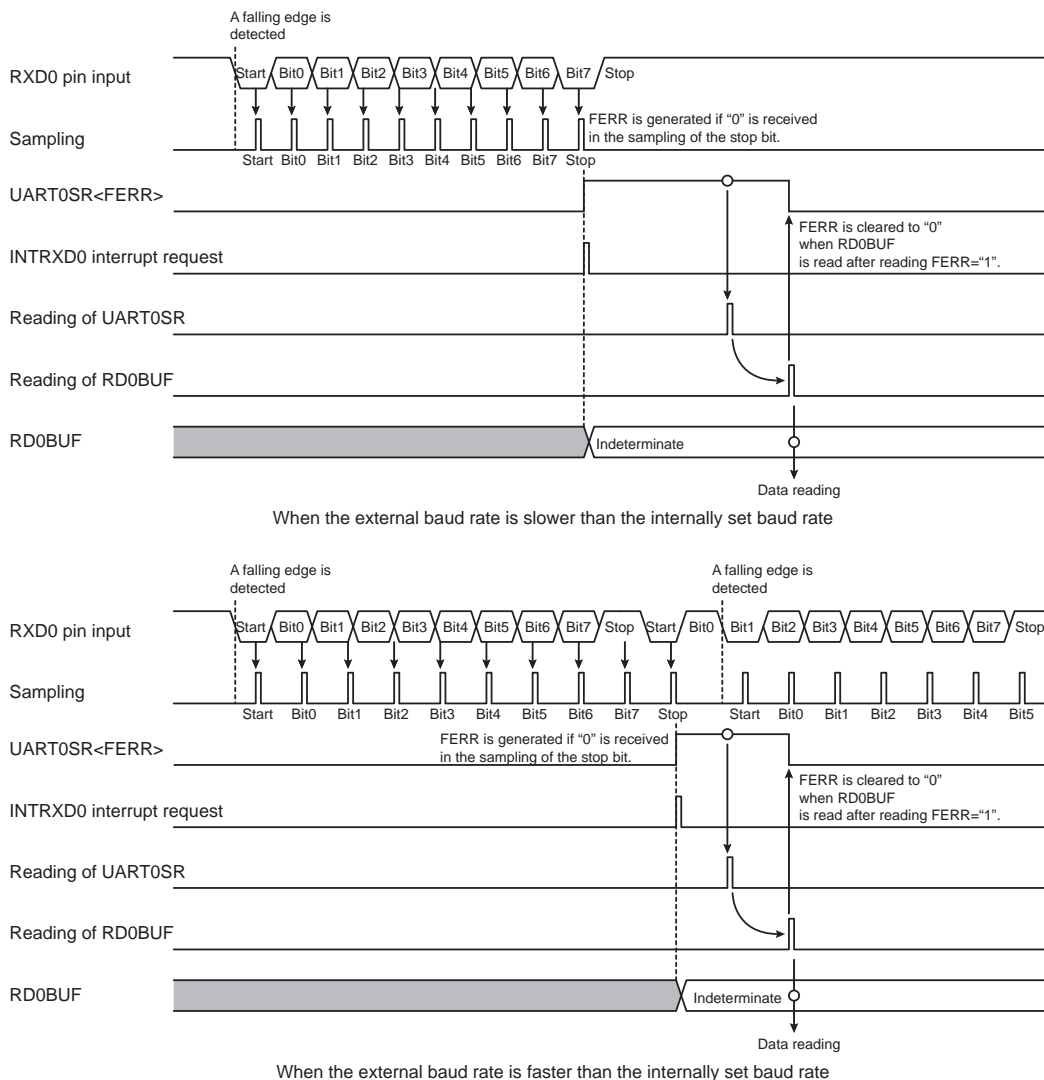


Figure 15-11 Occurrence of Framing Error

15.12.3 Overrun error

If receiving of all data bits is completed before the previous received data is read from RD0BUF, the overrun error flag UART0SR<OERR> is set to "1" and an INTRXD0 interrupt request is generated. The data received at the occurrence of the overrun error is discarded and the previous received data is maintained. Subsequently, if data is received while UART0SR<OERR> is still "1", no INTRXD0 interrupt request is generated, and the received data is discarded. (Figure 15-12)

Note that parity or framing errors in the discarded received data cannot be detected. (These error flags are not set.) That is to say, if these errors are detected together with an overrun error during the reading of UART0SR, they have occurred in the previous received data (the data stored in RD0BUF). (Figure 15-13)

If UART0SR<OERR> is "1" when UART0SR is read, UART0SR<OERR> will be cleared to "0" when RD0BUF is read subsequently. (Figure 15-14)

If UART0SR<OERR> is set to "1" after UART0SR is read, UART0SR<OERR> will not be cleared to "0" when RD0BUF is read subsequently. In this case, UART0SR<OERR> will be cleared to "0" when UART0SR is read again and RD0BUF is read. (Figure 15-14)

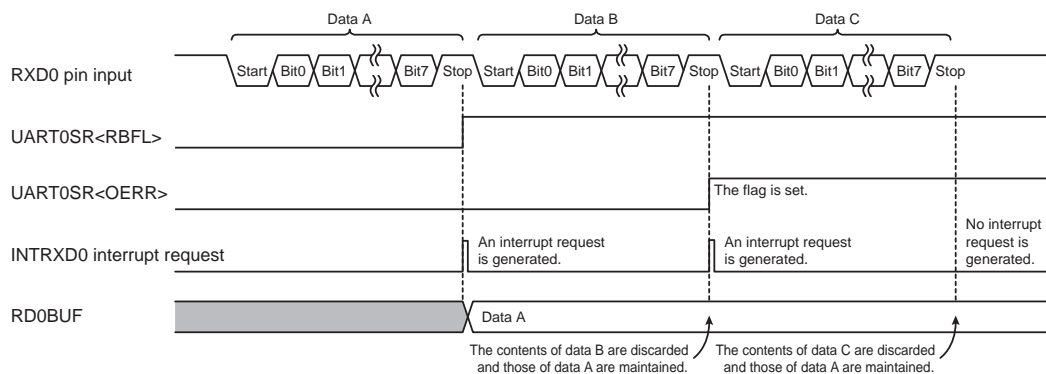
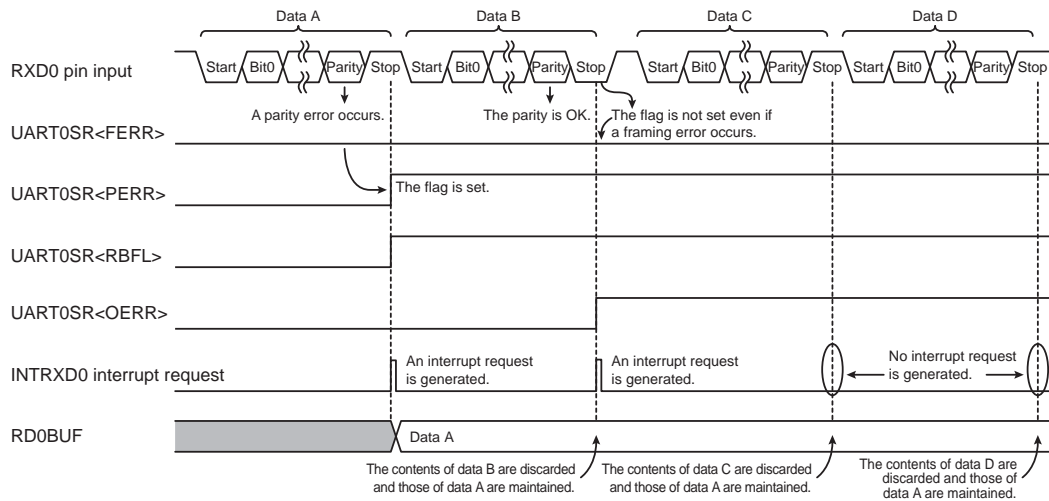
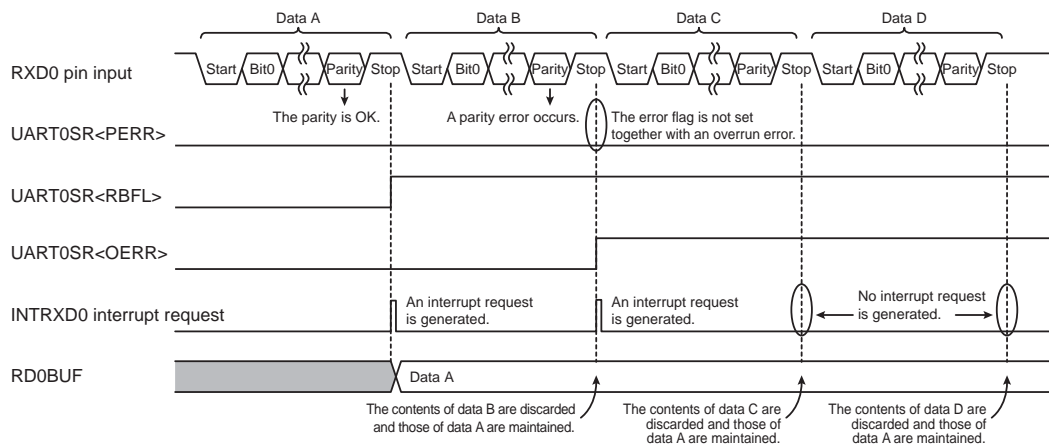


Figure 15-12 Generation of INTRXD0 Interrupt Request



When a parity error occurs in the first received data and a framing error occurs in the second data



When a parity error occurs in the second received data

Figure 15-13 Framing/Parity Error Flags When an Overrun Error Occurs

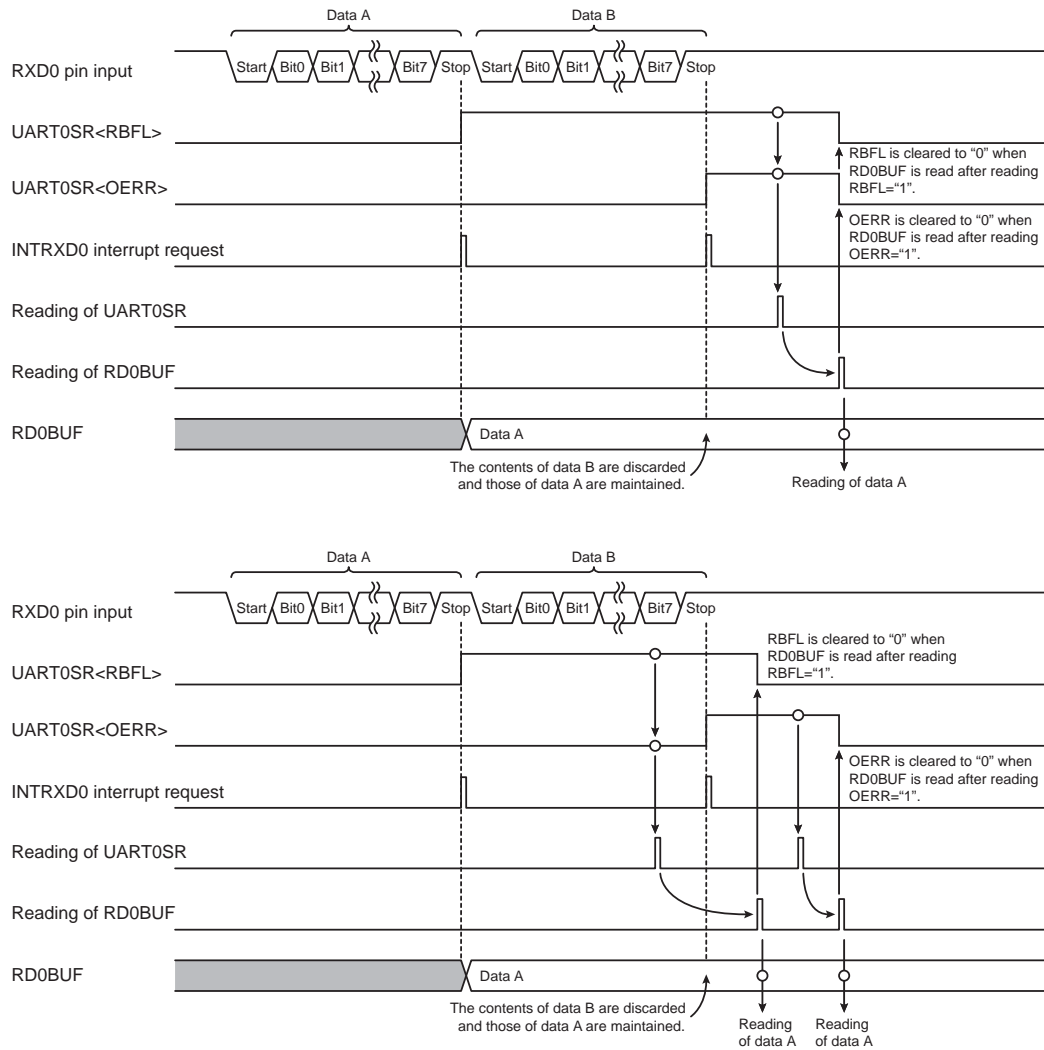


Figure 15-14 Clearance of Overrun Error Flag

15.12.4 Receive Data Buffer Full

Loading the received data in RD0BUF sets UART0SR<RBFL> to "1".

If UART0SR<RBFL> is "1" when UART0SR is read, UART0SR<RBFL> will be cleared to "0" when RD0BUF is read subsequently.

If UART0SR<RBFL> is set to "1" after UART0SR is read, UART0SR<RBFL> will not be cleared to "0" when RD0BUF is read subsequently. In this case, UART0SR<RBFL> will be cleared to "0" when UART0SR is read again and RD0BUF is read.

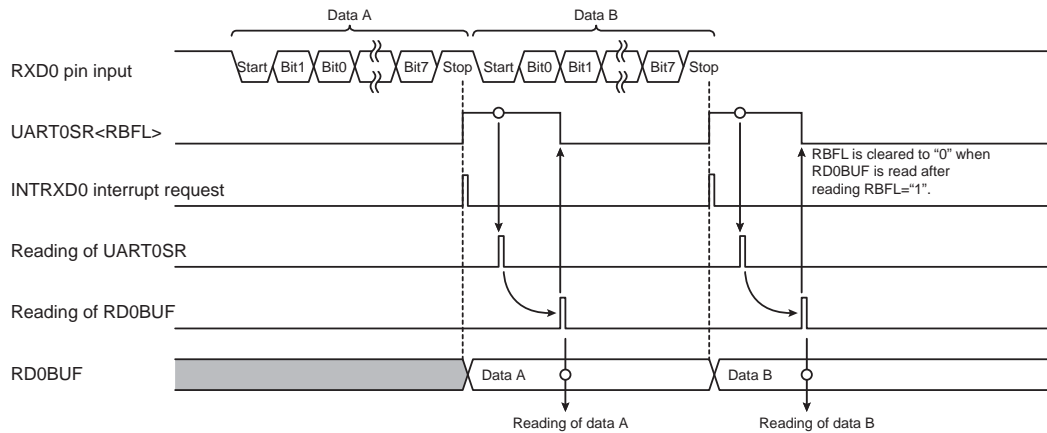


Figure 15-15 Occurrence of Receive Data Buffer Full

15.12.5 Transmit busy flag

If transmission is completed with no waiting data in TD0BUF (when $UART0SR\langle TBFL \rangle = "0"$), $UART0SR\langle TBSY \rangle$ is cleared to "0". When transmission is restarted after data is written into TD0BUF, $UART0SR\langle TBSY \rangle$ is set to "1". At this time, an $INTTXD0$ interrupt request is generated.

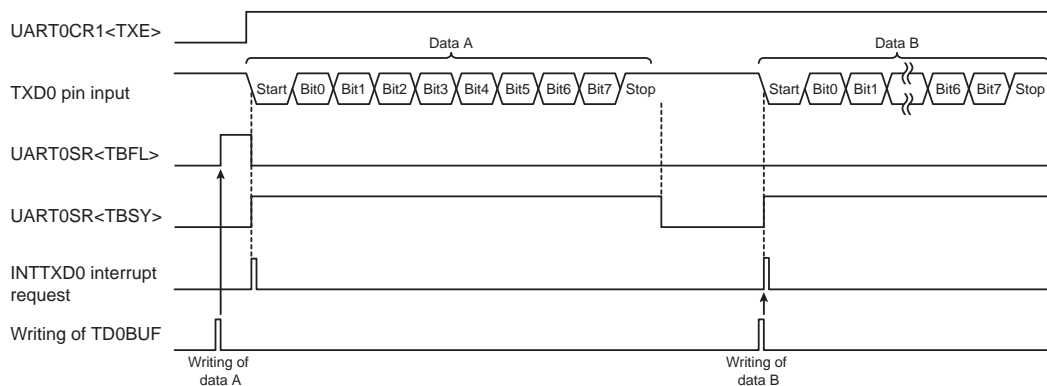


Figure 15-16 Transmit Busy Flag and Occurrence of Transmit Buffer Full

15.12.6 Transmit Buffer Full

When TD0BUF has no data, or when data in TD0BUF is transferred to the transmit shift register and transmission is started, $UART0SR\langle TBFL \rangle$ is cleared to "0". At this time, an $INTTXD0$ interrupt request is generated.

Writing data into TD0BUF sets $UART0SR\langle TBFL \rangle$ to "1".

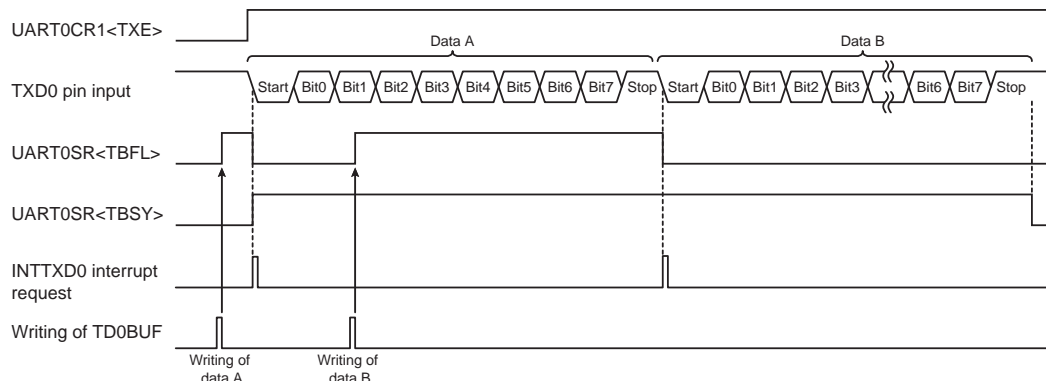


Figure 15-17 Occurrence of Transmit Buffer Full

15.13 Receiving Process

Figure 15-18 shows an example of the receiving process. Details of flag judgments in the processing are shown in Table 15-10 and Table 15-11.

If any framing error or parity error is detected, the received data has erroneous value(s). Execute the error handling, for example, by discarding the received data read from RD0BUF and receiving the data again.

If any overrun error is detected, the receiving of one or more pieces of data is unfinished. It is impossible to determine the number of pieces of data that could not be received. Execute the error handling, for example, by receiving data again from the beginning of the transfer. Basically, an overrun error occurs when the internal software processing cannot follow the data transfer speed. It is recommended to slow the transfer baud rate or modify the software to execute flow control.

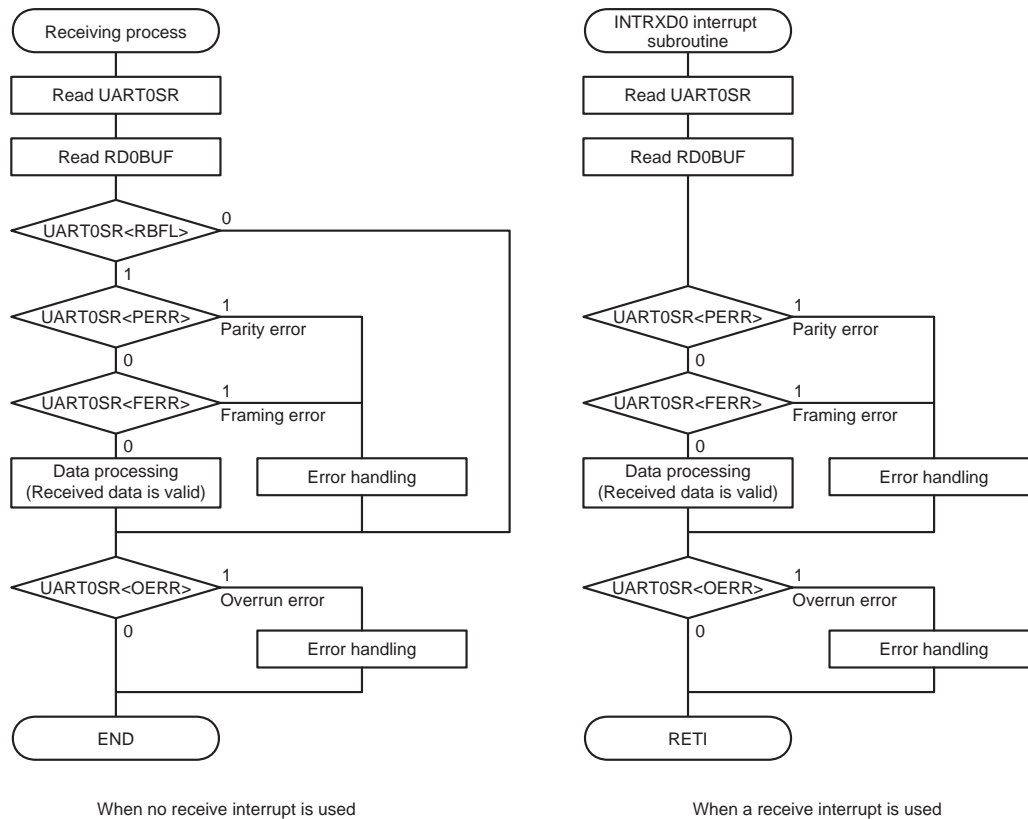


Figure 15-18 Example of Receiving Process

Note 1: If multiple interrupts are used in the INTRXD0 interrupt subroutine, the interrupt should be enabled after reading UART0SR and RD0BUF.

Table 15-10 Flag Judgments When No Receive Interrupt Is Used

RBFL	FERR/PERR	OERR	State
0	-	0	Data has not been received yet.
0	-	1	Some pieces of data could not be received during the previous data receiving process (Receiving of next data is completed in the period from when UART0SR is read to when RD0BUF is read in the previous data receiving process.)
1	0	0	Receiving has been completed properly.
1	0	1	Receiving has been completed properly, but some pieces of data could not be received.
1	1	0	Received data has erroneous value(s).
1	1	1	Received data has erroneous value(s) and some pieces of data could not be received.

Table 15-11 Flag Judgments When a Receive Interrupt Is Used

FERR/PERR	OERR	State
0	0	Receiving has been completed properly.
0	1	Receiving has been completed properly, but some pieces of data could not be received.
1	0	Received data has erroneous value(s).
1	1	Received data has erroneous value(s) and some pieces of data could not be received.



15.14 AC Properties

15.14.1 IrDA properties

(V_{SS} = 0 V, T_{opr} = -40 to 85°C)

Item	Condition	Min	Typ.	Max	Unit
TXD output pulse time (RT clock × (3/16))	Transfer baud rate = 2400 bps	-	78.13	-	μs
	Transfer baud rate = 9600 bps	-	19.53	-	
	Transfer baud rate = 19200 bps	-	9.77	-	
	Transfer baud rate = 38400 bps	-	4.88	-	
	Transfer baud rate = 57600 bps	-	3.26	-	
	Transfer baud rate = 115200 bps	-	1.63	-	

16. Synchronous Serial Interface (SIO)

The TMP89FM82 contains 1 channel of high-speed 8-bit serial interfaces of the clock synchronization type.

Table 16-1 SFR Address Assignment

	SIOxCR (address)	SIOxSR (address)	SIOxBUF (address)
Serial interface 0	SIO0CR (0x001F)	SIO0SR (0x0020)	SIO0BUF (0x0021)

Table 16-2 Pin Names

	Serial clock input/output pin	Serial data input pin	Serial data output pin
Serial interface 0	SCLK0 pin	SI0 pin	SO0 pin



16.1 Configuration

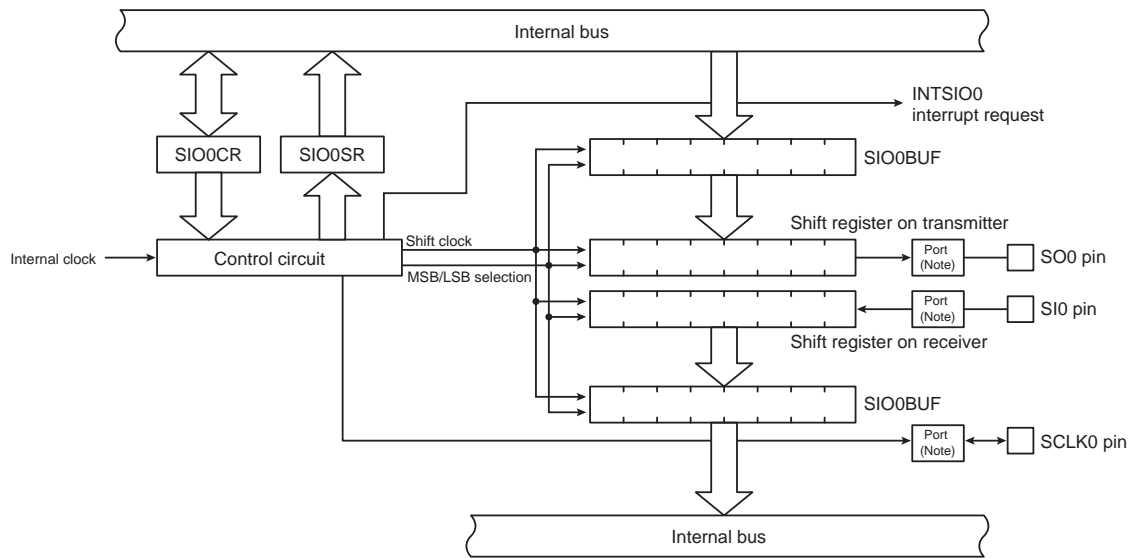


Figure 16-1 Serial Interface

Note: The serial interface input/output pins are also used as the I/O ports. The I/O port register settings are required to use these pins for a serial interface. For details, refer to the chapter of I/O ports.

16.2 Control

The synchronous serial interface SIO0 is controlled by the low power consumption registers (POFFCR2), the serial interface data buffer register (SIO0BUF), the serial interface control register (SIO0CR) and the serial interface status register (SIO0SR).

Low power consumption register 2

POFFCR2 (0x0F76)		7	6	5	4	3	2	1	0
Bit Symbol	-	-	-	SEI0EN	-	-	-	-	SIO0EN
Read/Write	R/W	R/W	R/W	R/W	R/W	R/W	R/W	R/W	R/W
After reset	0	0	0	0	0	0	0	0	0

SEI0EN	SEI0 control	0	Disable
		1	Enable
SIO0EN	SIO0 control	0	Disable
		1	Enable

Serial interface buffer register

SIO0BUF (0x0021)		7	6	5	4	3	2	1	0
Bit Symbol	SIO0BUF								
Read/Write	R								
After reset	0	0	0	0	0	0	0	0	0

Serial interface buffer register

SIO0BUF (0x0021)		7	6	5	4	3	2	1	0
Bit Symbol	SIO0BUF								
Read/Write	W								
After reset	1	1	1	1	1	1	1	1	1

Note 1: SIO0BUF is the data buffer for both transmission and reception. The last received data is read each time SIO0BUF is read. If SIO0BUF has never received data, it is read as "0". When data is written into it, the data is treated as the transmit data.

Serial interface control register

SIO0CR		7	6	5	4	3	2	1	0
(0x001F)	Bit Symbol	SIOEDG	SIOCKS			SIODIR	SIOS	SIOM	
	Read/Write	R/W	R/W			R/W	R/W	R/W	
	After reset	0	0	0	0	0	0	0	0

SIOEDG	Transfer edge selection	0	0: Receive data at a rising edge and transmit data at a falling edge	
		1	1: Transmit data at a rising edge and receive data at a falling edge	
SIOCKS	Serial clock selection [Hz]		NORMAL1/2 or IDLE1/2 mode	SLOW1/2 or SLEEP1 mode
		000	fcgck/2 ⁹	-
		001	fcgck/2 ⁶	-
		010	fcgck/2 ⁵	-
		011	fcgck/2 ⁴	-
		100	fcgck/2 ³	-
		101	fcgck/2 ²	-
		110	fcgck/2	fs/2 ³
		111	External clock input	
SIODIR	Transfer format (MSB/LSB) selection	0	LSB first (transfer from bit 0)	
		1	MSB first (transfer from bit 7)	
SIOS	Transfer operation start/stop instruction	0	0: Operation stop (reserved stop)	
		1	1: Operation start	
SIOM	Transfer mode selection and operation	00	Operation stop (forced stop)	
		01	8-bit transmit mode	
		10	8-bit receive mode	
		11	8-bit transmit and receive mode	

Note 1: fcgck: Gear clock [Hz], fs: Low-frequency clock [Hz]

Note 2: After the operation is started by writing "1" to SIOS, writing to SIOEDG, SIOCKS and SIODIR is invalid until SIO0SR<SIOF> becomes "0". (SIOEDG, SIOCKS and SIODIR can be changed at the same time as changing SIOS from "0" to "1".)

Note 3: After the operation is started by writing "1" to SIOS, no values other than "00" can be written to SIOM until SIOF becomes "0" (if a value from "01" to "11" is written to SIOM, it is ignored). The transfer mode cannot be changed during the operation.

Note 4: SIOS remains at "0", if "1" is written to SIOS when SIOM is "00" (operation stop).

Note 5: When SIO is used in SLOW1/2 or SLEEP1 mode, be sure to set SIOCKS to "110". If SIOCKS is set to any other value, SIO will not operate. When SIO is used in SLOW1/2 or SLEEP1 mode, execute communications with SIOCKS="110" in advance or change SIOCKS after SIO is stopped.

Note 6: When STOP, IDLE0 or SLEEP0 mode is activated, SIOM is automatically cleared to "00" and SIO stops the operation. At the same time, SIOS is cleared to "0". However, the values set for SIOEDG, SIOCKS and SIODIR are maintained.

Serial interface status register

SIO0SR		7	6	5	4	3	2	1	0
(0x0020)	Bit Symbol	SIOF	SEF	OERR	REND	UERR	TBFL	-	-
	Read/Write	R	R	R	R	R	R	R	R
	After reset	0	0	0	0	0	0	0	0

SIOF	Serial transfer operation status monitor	0	Transfer not in progress
		1	Transfer in progress
SEF	Shift operation status monitor	0	Shift operation not in progress
		1	Shift operation in progress
OERR	Receive overrun error flag	0	No overrun error has occurred
		1	At least one overrun error has occurred
REND	Receive completion flag	0	No data has been received since the last receive data was read out
		1	At least one data receive operation has been executed
UERR	Transmit underrun error flag	0	No transmit underrun error has occurred
		1	At least one transmit underrun error has occurred
TBFL	Transmit buffer full flag	0	The transmit buffer is empty
		1	The transmit buffer has the data that has not yet been transmitted

Note 1: The OERR and UERR flags are cleared by reading SIO0SR.

Note 2: The REND flag is cleared by reading SIO0BUF.

Note 3: Writing "00" to SIO0CR<SIOM> clears all the bits of SIO0SR to "0", whether the serial interface is operating or not. When STOP, IDLE0 or SLEEP0 mode is activated, SIOM is automatically cleared to "00" and all the bits of SIO0SR are cleared to "0".

Note 4: Bit 1 to 0 of SIO0SR are read "0".



16.3 Low Power Consumption Function

Serial interface 0 has the low power consumption registers (POFFCR2) that save power when the serial interface is not being used.

Setting POFFCR2<SIO0EN> to "0" disables the basic clock supply to serial interface 0 to save power. Note that this renders the serial interface unusable. Setting POFFCR2<SIO0EN> to "1" enables the basic clock supply to serial interface 0 and allows the serial interface to operate.

After reset, POFFCR2<SIO0EN> are initialized to "0", and this renders the serial interface unusable. When using the serial interface for the first time, be sure to set POFFCR2<SIO0EN> to "1" in the initial setting of the program (before the serial interface control registers are operated).

Do not change POFFCR2<SIO0EN> to "0" during the serial interface operation. Otherwise serial interface 0 may operate unexpectedly.

16.4 Functions

16.4.1 Transfer format

The transfer format can be set to either MSB or LSB first by using SIO0CR<SIODIR>. Setting SIO0CR<SIODIR> to "0" selects LSB first as the transfer format. In this case, the serial data is transferred in sequence from the least significant bit.

Setting SIO0CR<SIODIR> to "1" selects MSB first as the transfer format. In this case, the serial data is transferred in sequence from the most significant bit.

16.4.2 Serial clock

The serial clock can be selected by using SIO0CR<SIOCKS>.

Setting SIO0CR<SIOCKS> to "000" to "110" selects the internal clock as the serial clock. In this case, the serial clock is output from the SCLK0 pin. The serial data is transferred in synchronization with the edge of the SCLK0 pin output.

Setting SIO0CR<SIOCKS> to "111" selects an external clock as the serial clock. In this case, an external serial clock must be input to the SCLK0 pin. The serial data is transferred in synchronization with the edge of the external clock.

The serial data transfer edge can be selected for both the external and internal clocks. For details, refer to "16.4.3 Transfer edge selection".

Table 16-3 Transfer Baud Rate

SIO0CR <SIOCKS>	Serial clock [Hz]		fcgck=1MHz		fcgck=4MHz		fcgck=8MHz		fs=32.768kHz	
	NORMAL 1/2 or IDLE 1/2 mode	SLOW 1/2 or SLEEP1 mode	1-bit time (μs)	Baud rate (bps)	1-bit time (μs)	Baud rate (bps)	1-bit time (μs)	Baud rate (bps)	1-bit time (μs)	Baud rate (bps)
000	fcgck/2 ⁹	-	512	1.953k	128	7.813k	64	15.625k	-	-
001	fcgck/2 ⁶	-	64	15.625k	16	62.5k	8	125k	-	-
010	fcgck/2 ⁵	-	32	31.25k	8	125k	4	250k	-	-
011	fcgck/2 ⁴	-	16	62.5k	4	250k	2	500k	-	-
100	fcgck/2 ³	-	8	125k	2	500k	1	1M	-	-
101	fcgck/2 ²	-	4	250k	1	1M	0.5	2M	-	-
110	fcgck/2	fs/2 ³	2	500k	0.5	2M	0.25	4M	244	4k

16.4.3 Transfer edge selection

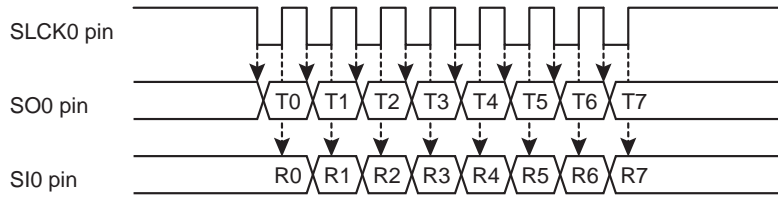
The serial data transfer edge can be selected by using SIOCR<SIOEDG>.

Table 16-4 Transfer Edge Selection

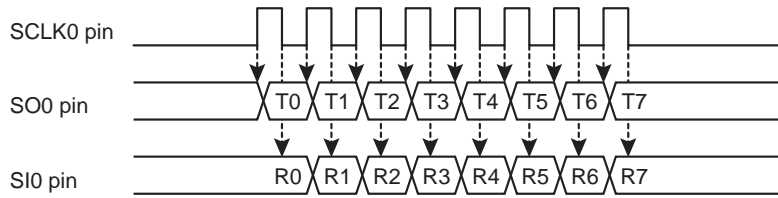
SIO0CR<SIOEDG>	Data transmission	Data reception
0	Falling edge	Rising edge
1	Rising edge	Falling edge

When SIOCR<SIOEDG> is "0", the data is transmitted in synchronization with the falling edge of the clock and the data is received in synchronization with the rising edge of the clock.

When SIOCR<SIOEDG> is "1", the data is transmitted in synchronization with the rising edge of the clock and the data is received in synchronization with the falling edge of the clock.



When SIOCR<SIOEDG>="0"



When SIOCR<SIOEDG>="1"

Figure 16-2 Transfer Edge

Note: When an external clock input is used, $4/f_{cgck}$ or longer is needed between the receive edge at the 8th bit and the transfer edge at the first bit of the next transfer.

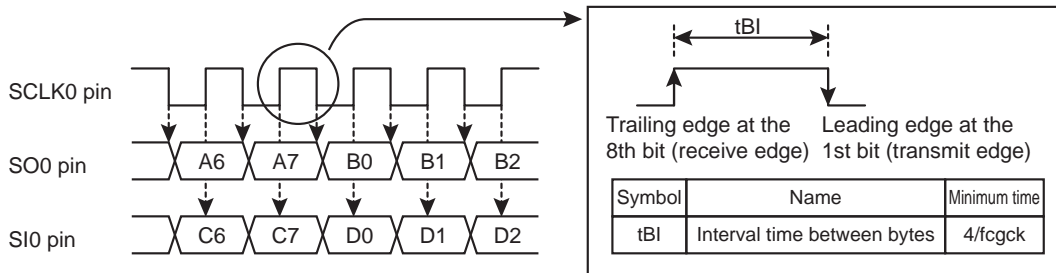


Figure 16-3 Interval time between bytes

16.5 Transfer Modes

16.5.1 8-bit transmit mode

The 8-bit transmit mode is selected by setting SIO0CR<SIOM> to "01".

16.5.1.1 Setting

Before starting the transmit operation, select the transfer edges at SIO0CR<SIOEDG>, a transfer format at SIO0CR<SIODIR> and a serial clock at SIO0CR<SIOCKS>. To use the internal clock as the serial clock, select an appropriate serial clock at SIO0CR<SIOCKS>. To use an external clock as the serial clock, set SIO0CR<SIOCKS> to "111".

The 8-bit transmit mode is selected by setting SIO0CR<SIOM> to "01".

The transmit operation is started by writing the first byte of transmit data to SIO0BUF and then setting SIO0CR<SIOS> to "1".

Writing data to SIO0CR<SIOEDG, SIOCKS and SIODIR> is invalid when the serial communication is in progress, or when SIO0SR<SIOF> is "1". Make these settings while the serial communication is stopped. While the serial communication is in progress (SIO0SR<SIOF>="1"), only writing "00" to SIO0CR<SIOM> or writing "0" to SIO0CR<SIOS> is valid.

16.5.1.2 Starting the transmit operation

The transmit operation is started by writing data to SIO0BUF and then setting SIO0CR<SIOS> to "1". The transmit data is transferred from SIO0BUF to the shift register, and then transmitted as the serial data from the SO0 pin according to the settings of SIO0CR<SIOEDG, SIOCKS and SIODIR>. The serial data becomes undefined if the transmit operation is started without writing any transmit data to SIO0BUF.

In the internal clock operation, the serial clock of the selected baud rate is output from the SCLK0 pin. In the external clock operation, an external clock must be supplied to the SCLK0 pin.

By setting SIO0CR<SIOS> to "1", SIO0SR<SIOF and SEF> are automatically set to "1" and an INTSIO0 interrupt request is generated.

SIO0SR<SEF> is cleared to "0" when the 8th bit of the serial data is output.

16.5.1.3 Transmit buffer and shift operation

If data is written to SIO0BUF when the serial communication is in progress and the shift register is empty, the written data is transferred to the shift register immediately. At this time, SIO0SR<TBFL> remains at "0".

If data is written to SIO0BUF when some data remains in the shift register, SIO0SR<TBFL> is set to "1". If new data is written to SIO0BUF in this state, the contents of SIO0BUF are overwritten by the new value. Make sure that SIO0SR<TBFL> is "0" before writing data to SIO0BUF.

16.5.1.4 Operation on completion of transmission

The operation on completion of the data transmission varies depending on the operating clock and the state of SIO0SR<TBFL>.

(1) When the internal clock is used and SIO0SR<TBFL> is "0"

When the data transmission is completed, the SCLK0 pin becomes the initial state and the SO0 pin becomes the "H" level. SIO0SR<SEF> remains at "0". When the internal clock is used, the serial clock and data output is stopped until the next transmit data is written into SIO0BUF (automatic wait).

When the subsequent data is written into SIO0BUF, SIO0SR<SEF> is set to "1", the SCLK0 pin outputs the serial clock, and the transmit operation is restarted. An INTSIO0 interrupt request is generated at the restart of the transmit operation.

(2) When an external clock is used and SIO0SR<TBFL> is "0"

When the data transmission is completed, the SO pin keeps last output value. When an external serial clock is input to the SCLK0 pin after completion of the data transmission, an undefined value is transmitted and the transmit underrun error flag SIO0SR<UERR> is set to "1".

If a transmit underrun error occurs, data must not be written to SIO0BUF during the transmission of an undefined value. (It is recommended to finish the transmit operation by setting SIO0CR<SIOS> to "0" or force the transmit operation to stop by setting SIO0CR<SIOM> to "00".)

The transmit underrun error flag SIO0SR<UERR> is cleared by reading SIO0SR.

(3) When an internal or external clock is used and SIO0SR<TBFL> is "1"

When the data transmission is completed, SIO0SR<TBFL> is cleared to "0". The data in SIO0BUF is transferred to the shift register and the transmission of subsequent data is started. At this time, SIO0SR<SEF> is set to "1" and an INTSIO0 interrupt request is generated.

16.5.1.5 Stopping the transmit operation

Set SIO0CR<SIOS> to "0" to stop the transmit operation. When SIO0SR<SEF> is "0", or when the shift operation is not in progress, the transmit operation is stopped immediately and an INTSIO0 interrupt request is generated. When SIO0SR<SEF> is "1", the transmit operation is stopped after all the data in the shift register is transmitted (reserved stop). At this time, an INTSIO0 interrupt request is generated again.

When the transmit operation is completed, SIO0SR<SIOF, SEF and TBFL> are cleared to "0". Other SIO0SR registers keep their values.

If the internal clock has been used, the SO0 pin automatically returns to the "H" level. If an external clock has been used, the SO0 pin keeps the last output value. To return the SO0 pin to the "H" level, write "00" to SIO0CR<SIOM> when the operation is stopped.

The transmit operation can be forced to stop by setting SIO0CR<SIOM> to "00" during the operation. By setting SIO0CR<SIOM> to "00", SIO0CR<SIOS> and SIO0SR are cleared to "0" and the SIO stops the operation, regardless of the SIO0SR<SEF> value. The SO0 pin becomes the "H" level. If the internal clock is selected, the SCLK0 pin returns to the initial level.

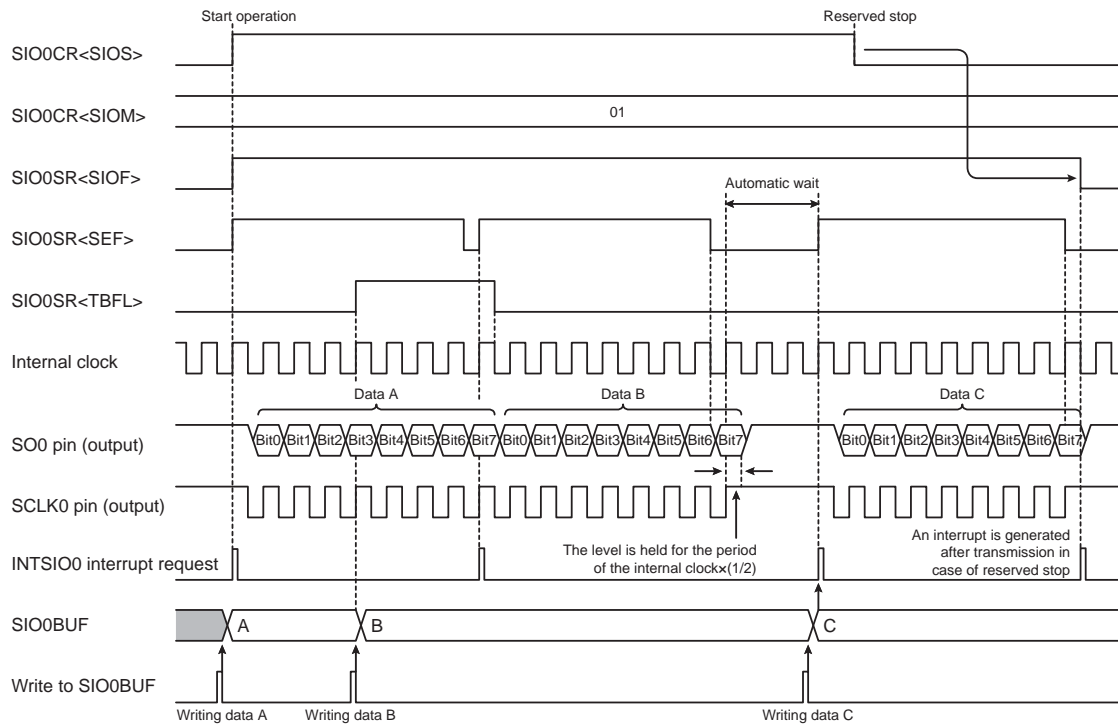


Figure 16-4 8-bit Transmit Mode (Internal Clock and Reserved Stop)

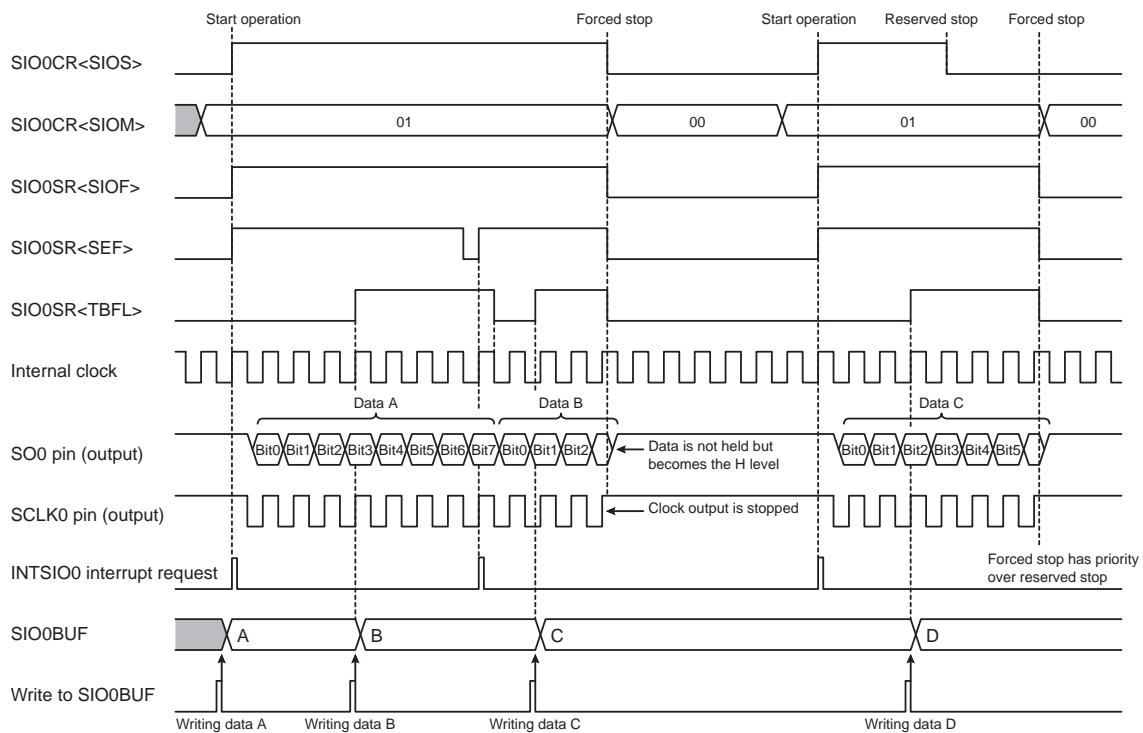


Figure 16-5 8-bit Transmit Mode (Internal Clock and Forced Stop)

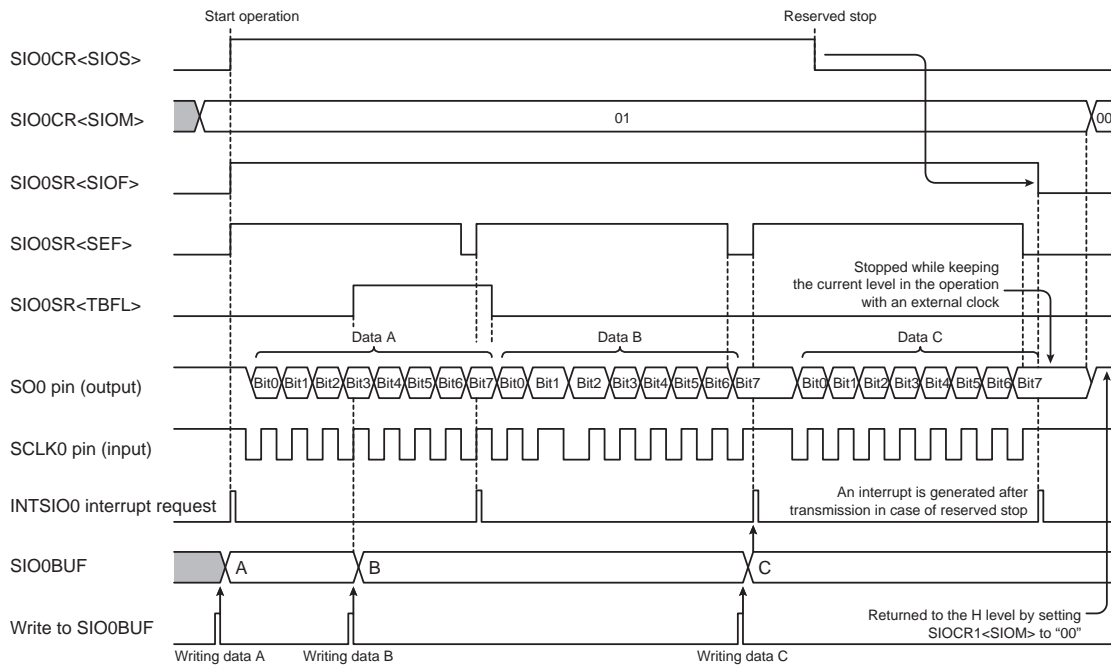


Figure 16-6 8-bit Transmit Mode (External Clock and Reserved Stop)

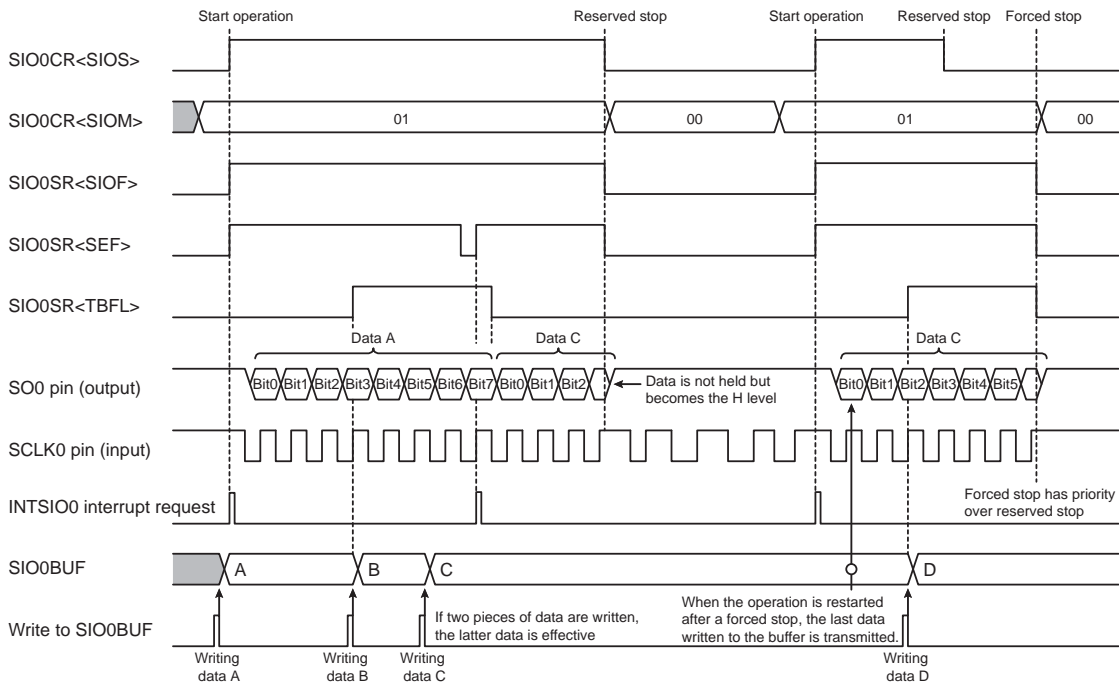


Figure 16-7 8-bit Transmit Mode (External Clock and Forced Stop)

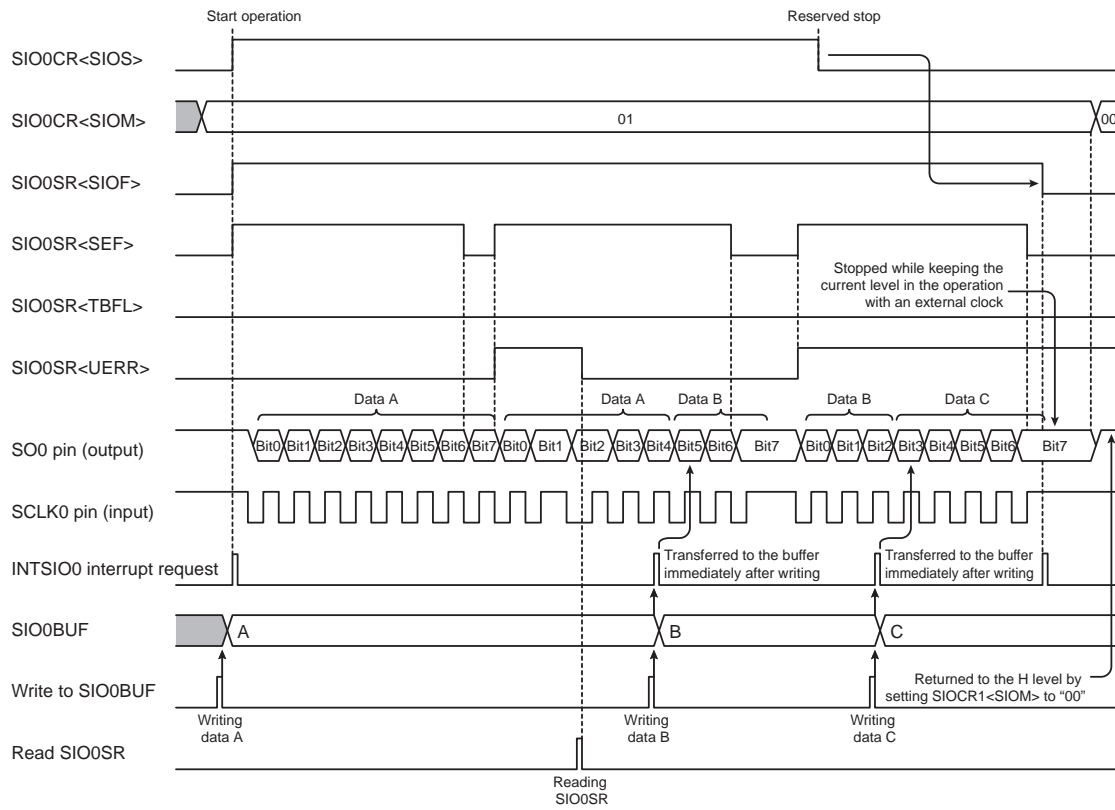


Figure 16-8 8-bit Transmit Mode (External Clock and Occurrence of Transmit Underrun Error)

16.5.2 8-bit Receive Mode

The 8-bit receive mode is selected by setting SIO0CR<SIOM> to "10".

16.5.2.1 Setting

As in the case of the transmit mode, before starting the receive operation, select the transfer edges at SIO0CR<SIOEDG>, a transfer format at SIO0CR<SIODIR> and a serial clock at SIO0CR<SIOCKS>. To use the internal clock as the serial clock, select an appropriate serial clock at SIO0CR<SIOCKS>. To use an external clock as the serial clock, set SIO0CR<SIOCKS> to "111".

The 8-bit receive mode is selected by setting SIO0CR<SIOM> to "10".

Reception is started by setting SIO0CR<SIOS> to "1".

Writing data to SIO0CR<SIOEDG, SIOCKS and SIODIR> is invalid when the serial communication is in progress, or when SIO0SR<SIOF> is "1". Make these settings while the serial communication is stopped. While the serial communication is in progress (SIO0SR<SIOF>="1"), only writing "00" to SIO0CR<SIOM> or writing "0" to SIO0CR<SIOS> is valid.

16.5.2.2 Starting the receive operation

Reception is started by setting SIO0CR<SIOS> to "1". External serial data is taken into the shift register from the SIO pin according to the settings of SIO0CR<SIOEDG, SIOCKS and SIODIR>.

In the internal clock operation, the serial clock of the selected baud rate is output from the SCLK0 pin. In the external clock operation, an external clock must be supplied to the SCLK0 pin.

By setting SIO0CR<SIOS> to "1", SIO0SR<SIOF and SEF> are automatically set to "1".

16.5.2.3 Operation on completion of reception

When the data reception is completed, the data is transferred from the shift register to SIO0BUF and an INTSIO0 interrupt request is generated. The receive completion flag SIO0SR<REND> is set to "1".

In the operation with the internal clock, the serial clock output is stopped until the receive data is read from SIO0BUF (automatic wait). At this time, SIO0SR<SEF> is set to "0". By reading the receive data from SIO0BUF, SIO0SR<SEF> is set to "1", the serial clock output is restarted and the receive operation continues.

In the operation with an external clock, data can be continuously received without reading the received data from SIO0BUF. In this case, data must be read from SIO0BUF before the subsequent data has been fully received. If the subsequent data is received completely before reading data from SIO0BUF, the overrun error flag SIO0SR<OERR> is set to "1". When an overrun error has occurred, set SIO0CR<SIOM> to "00" to abort the receive operation. The data received at the occurrence of an overrun error is discarded, and SIO0BUF holds the data value received before the occurrence of the overrun error.

SIO0SR<REND> is cleared to "0" by reading data from SIO0BUF. SIO0SR<OERR> is cleared by reading SIO0SR.

16.5.2.4 Stopping the receive operation

Set SIO0CR<SIOS> to "0" to stop the receive operation. When SIO0SR<SEF> is "0", or when the shift operation is not in progress, the operation is stopped immediately. Unlike the transmit mode, no INTSIO0 interrupt request is generated in this state.

When SIO0SR<SEF> is "1", the operation is stopped after the 8-bit data has been completely received (reserved stop). At this time, an INTSIO0 interrupt request is generated.

After the operation has stopped completely, SIO0SR<SIOF and SEF> are cleared to "0". Other SIO0SR registers keep their values.

The receive operation can be forced to stop by setting SIO0CR<SIOM> to "00" during the operation. By setting SIO0CR<SIOM> to "00", SIO0CR<SIOS> and SIO0SR are cleared to "0" and the SIO stops the operation, regardless of the SIO0SR<SEF> value. If the internal clock is selected, the SCLK0 pin returns to the initial level.

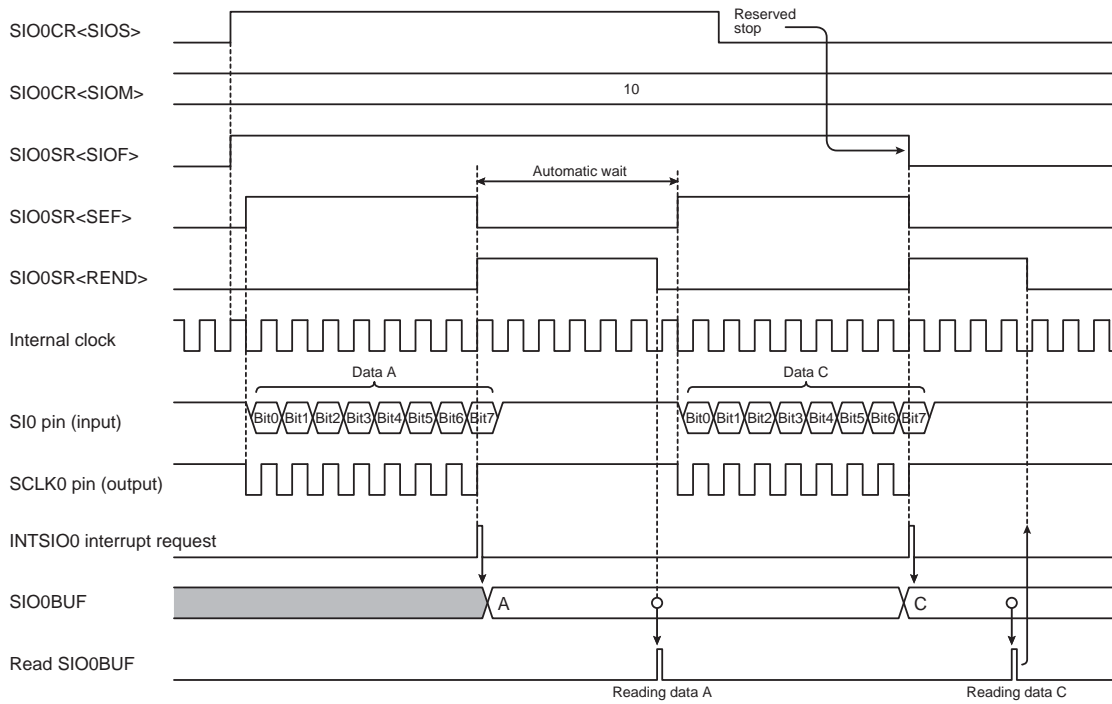


Figure 16-9 8-bit Receive Mode (Internal Clock and Reserved Stop)

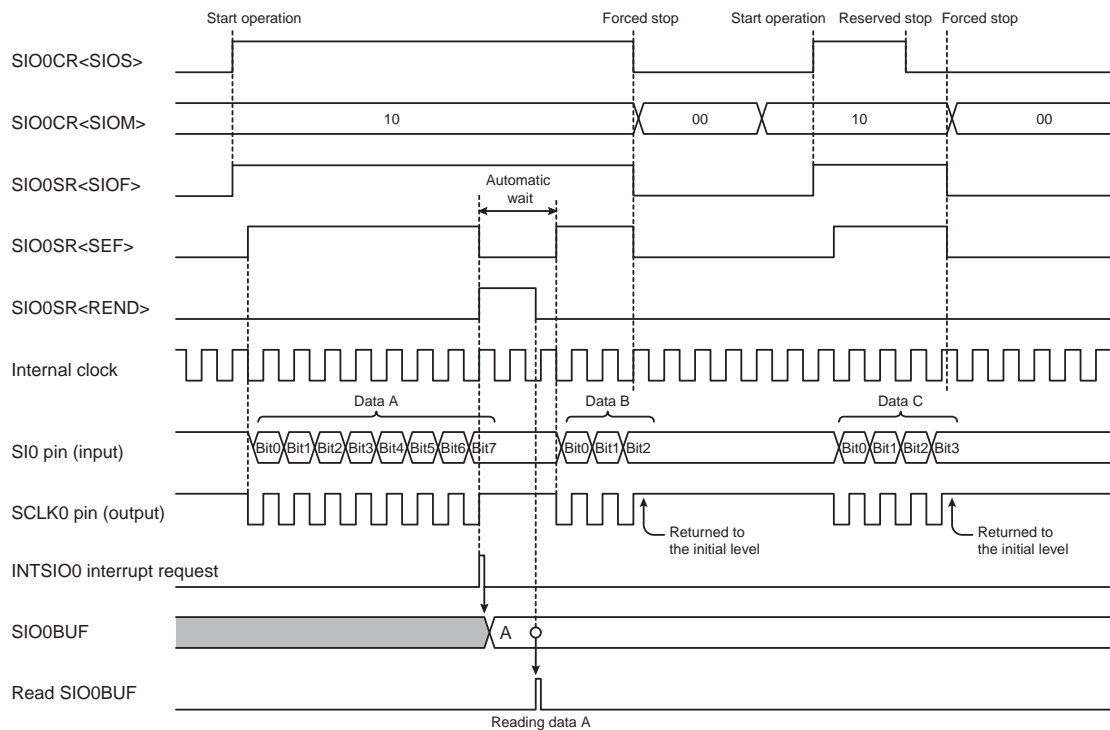


Figure 16-10 8-bit Receive Mode (Internal Clock and Forced Stop)

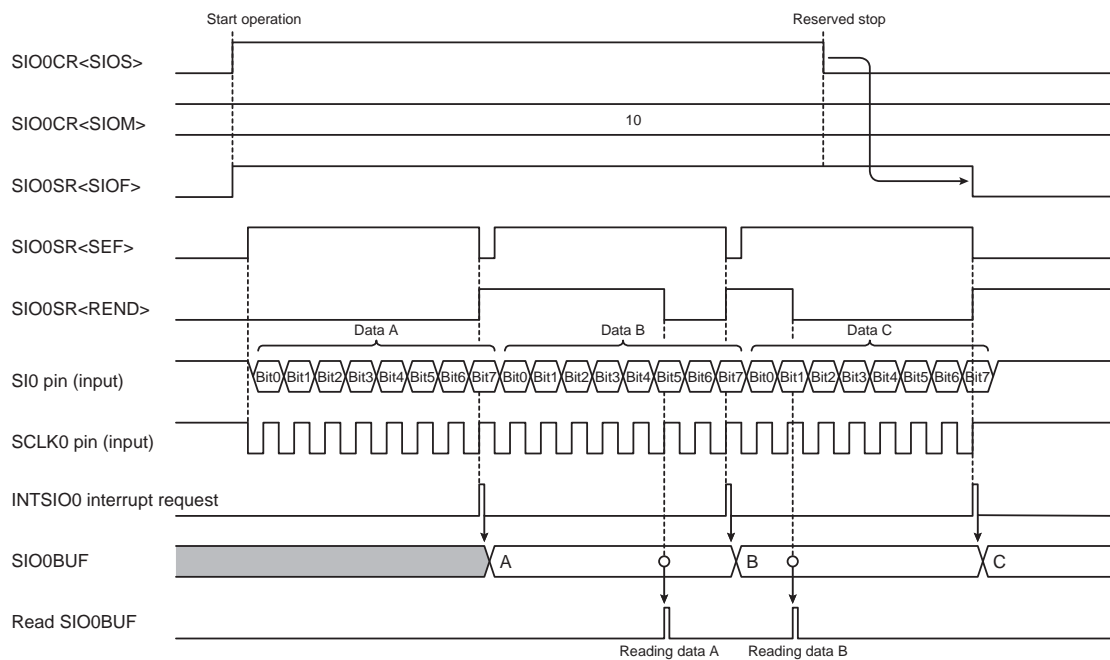


Figure 16-11 8-bit Receive Mode (External Clock and Reserved Stop)

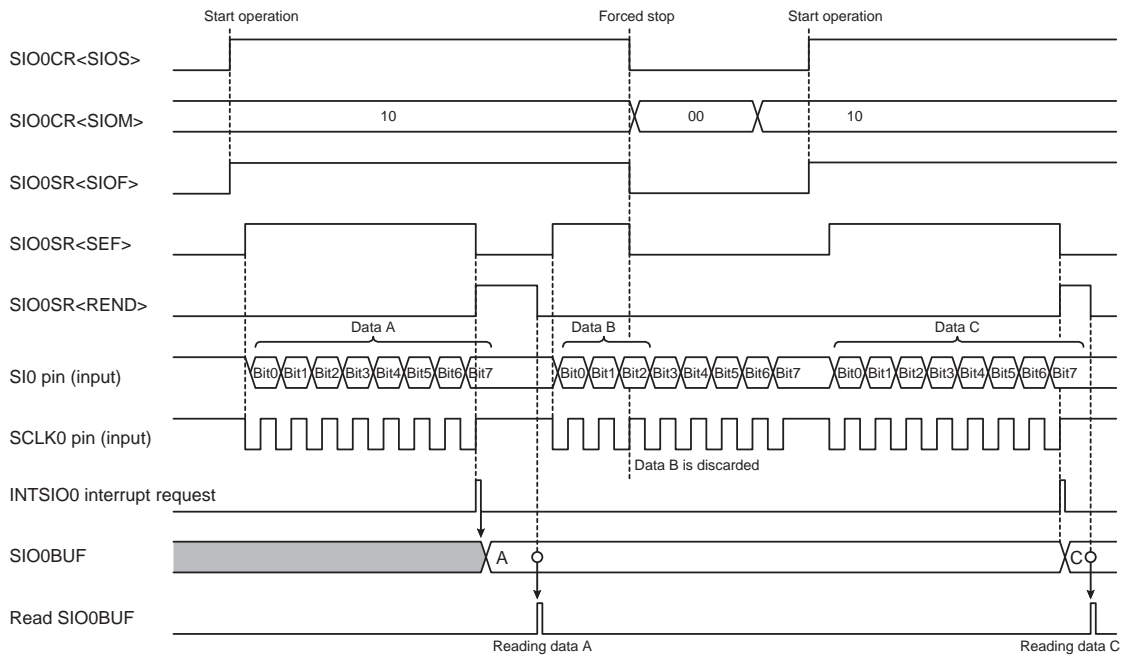


Figure 16-12 8-bit Receive Mode (External Clock and Forced Stop)

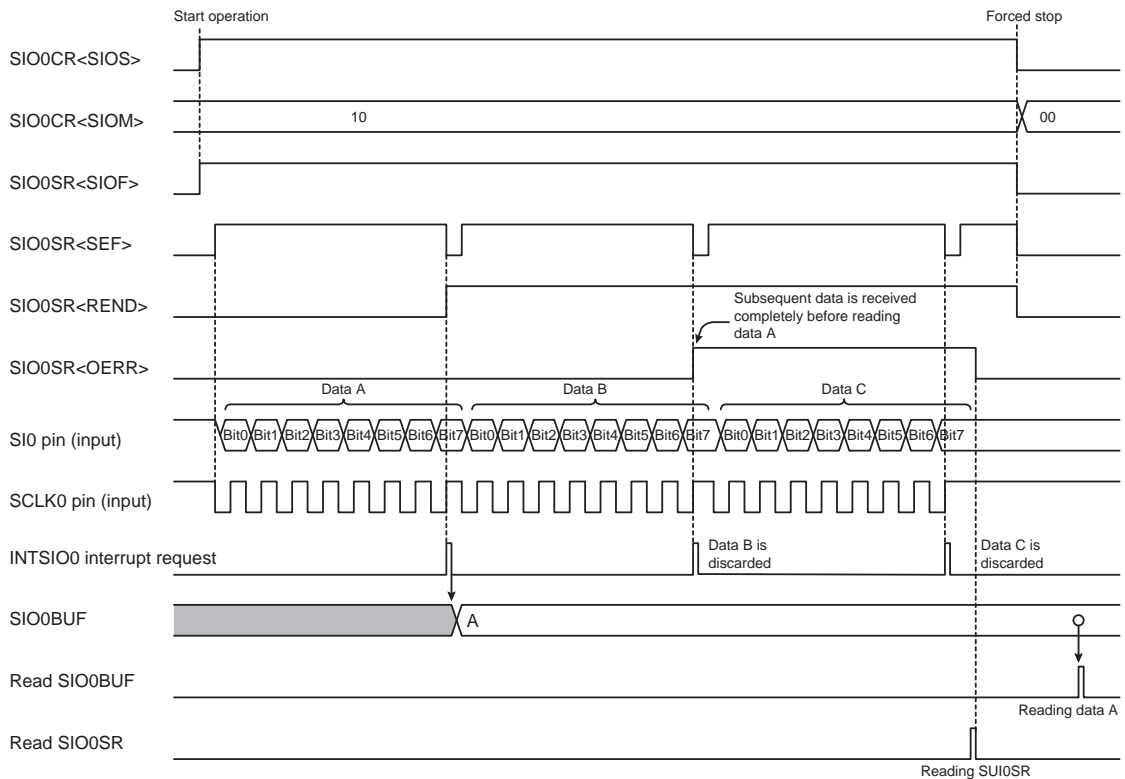


Figure 16-13 8-bit Receive Mode (External Clock and Occurrence of Overrun Error)

16.5.3 8-bit transmit/receive mode

The 8-bit transmit/receive mode is selected by setting SIO0CR<SIOM> to "11".

16.5.3.1 Setting

Before starting the transmit/receive operation, select the transfer edges at SIO0CR<SIOEDG>, a transfer format at SIO0CR<SIODIR> and a serial clock at SIO0CR<SIOCKS>. To use the internal clock as the serial clock, select an appropriate serial clock at SIO0CR<SIOCKS>. To use an external clock as the serial clock, set SIO0CR<SIOCKS> to "111".

The 8-bit transmit/receive mode is selected by setting SIO0CR<SIOM> to "11".

The transmit/receive operation is started by writing the first byte of transmit data to SIO0BUF and then setting SIO0CR<SIOS> to "1".

Writing data to SIO0CR<SIOEDG, SIOCKS and SIODIR> is invalid when the serial communication is in progress, or when SIO0SR<SIOF> is "1". Make these settings while the serial communication is stopped. While the serial communication is in progress (SIO0SR<SIOF>="1"), only writing "00" to SIO0CR<SIOM> or writing "0" to SIOCR<SIOS> is valid.

16.5.3.2 Starting the transmit/receive operation

The transmit/receive operation is started by writing data to SIO0BUF and then setting SIO0CR<SIOS> to "1". The transmit data is transferred from SIO0BUF to the shift register, and the serial data is transmitted from the SO0 pin according to the settings of SIO0CR<SIOEDG, SIOCKS and SIODIR>. At the same time, the serial data is received from the SI0 pin according to the settings of SIO0CR<SIOEDG, SIOCKS and SIODIR>.

In the internal clock operation, the serial clock of the selected baud rate is output from the SCLK0 pin. In the external clock operation, an external clock must be supplied to the SCLK0 pin.

The transmit data becomes undefined if the transmit/receive operation is started without writing any transmit data to SIO0BUF.

By setting SIO0CR<SIOS> to "1", SIO0SR<SIOF and SEF> are automatically set to "1" and an INTSIO0 interrupt request is generated.

SIO0SR<SEF> is cleared to "0" when the 8th bit of data is received.

16.5.3.3 Transmit buffer and shift operation

If any data is written to SIO0BUF when the serial communication is in progress and the shift register is empty, the written data is transferred to the shift register immediately. At this time, SIO0SR<TBFL> remains at "0".

If any data is written to SIO0BUF when some data remains in the shift register, SIO0SR<TBFL> is set to "1". If new data is written to SIO0BUF in this state, the contents of SIO0BUF are overwritten by the new value. Make sure that SIO0SR<TBFL> is "0" before writing data to SIO0BUF.

16.5.3.4 Operation on completion of transmission/reception

When the data transmission/reception is completed, SIO0SR<REND> is set to "1" and an INTSIO0 interrupt request is generated. The operation varies depending on the operating clock.

(1) When the internal clock is used

If SIO0SR<TBFL> is "1", it is cleared to "0" and the transmit/receive operation continues. If SIO0SR<REND> is already "1", SIO0SR<OERR> is set to "1".

If SIO0SR<TBFL> is "0", the transmit/receive operation is aborted. The SCLK0 pin becomes the initial state and the SO0 pin becomes the "H" level. SIO0SR<SEF> remains at "0". When the subsequent data is written to SIO0BUF, SIO0SR<SEF> is set to "1", the SCLK0 pin outputs the clock and the transmit/receive operation is restarted. To confirm the receive data, read it from SIO0BUF before writing data to SIO0BUF.

(2) When an external clock is used

The transmit/receive operation continues. If the external serial clock is input without writing any data to SIO0BUF, the last data value set to SIO0BUF is re-transmitted. At this time, the transmit underrun error flag SIO0SR<UERR> is set to "1".

When the next 8-bit data is received completely before SIO0BUF is read, or in the state of SIO0SR<REND>="1", SIO0SR<OERR> is set to "1".

16.5.3.5 Stopping the transmit/receive operation

Set SIO0CR<SIOS> to "0" to stop the transmit/receive operation. When SIO0SR<SEF> is "0", or when the shift operation is not in progress, the operation is stopped immediately. Unlike the transmit mode, no INTSIO0 interrupt request is generated in this state.

When SIO0SR<SEF> is "1", the operation is stopped after the 8-bit data is received completely. At this time, an INTSIO0 interrupt request is generated.

After the operation has stopped completely, SIO0SR<SIOF, SEF and TBFL> are cleared to "0". Other SIO0SR registers keep their values.

If the internal clock has been used, the SO0 pin automatically returns to the "H" level. If an external clock has been used, the SO0 pin keeps the last output value. To return the SO0 pin to the "H" level, write "00" to SIO0CR<SIOM> when the operation is stopped.

The transmit/receive operation can be forced to stop by setting SIO0CR<SIOM> to "00" during the operation. By setting SIO0CR<SIOM> to "00", SIO0CR<SIOS> and SIO0SR are cleared to "0" and the SIO stops the operation, regardless of the SIO0SR<SEF> value. The SO0 pin becomes the "H" level. If the internal clock is selected, the SCLK0 pin returns to the initial level.

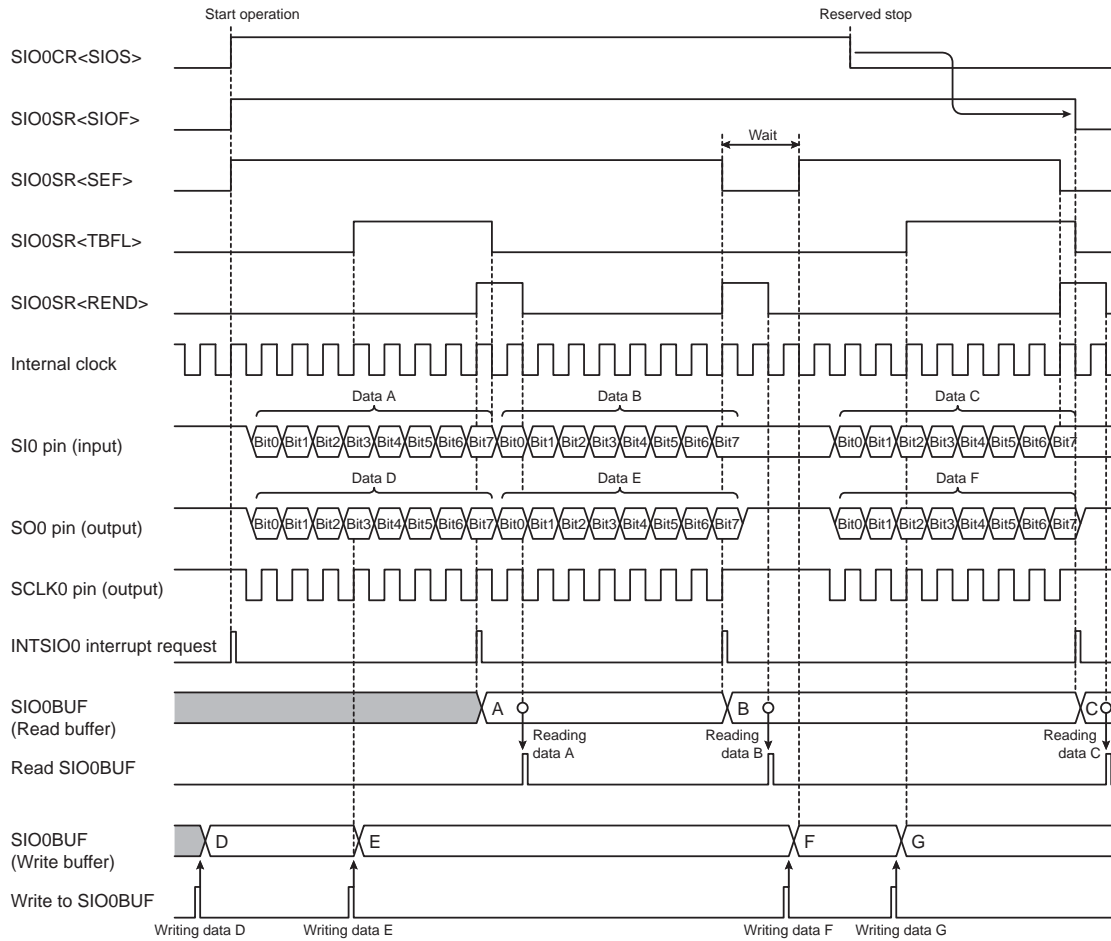


Figure 16-14 8-bit Transmit/Receive Mode (Internal Clock and Reserved Stop)

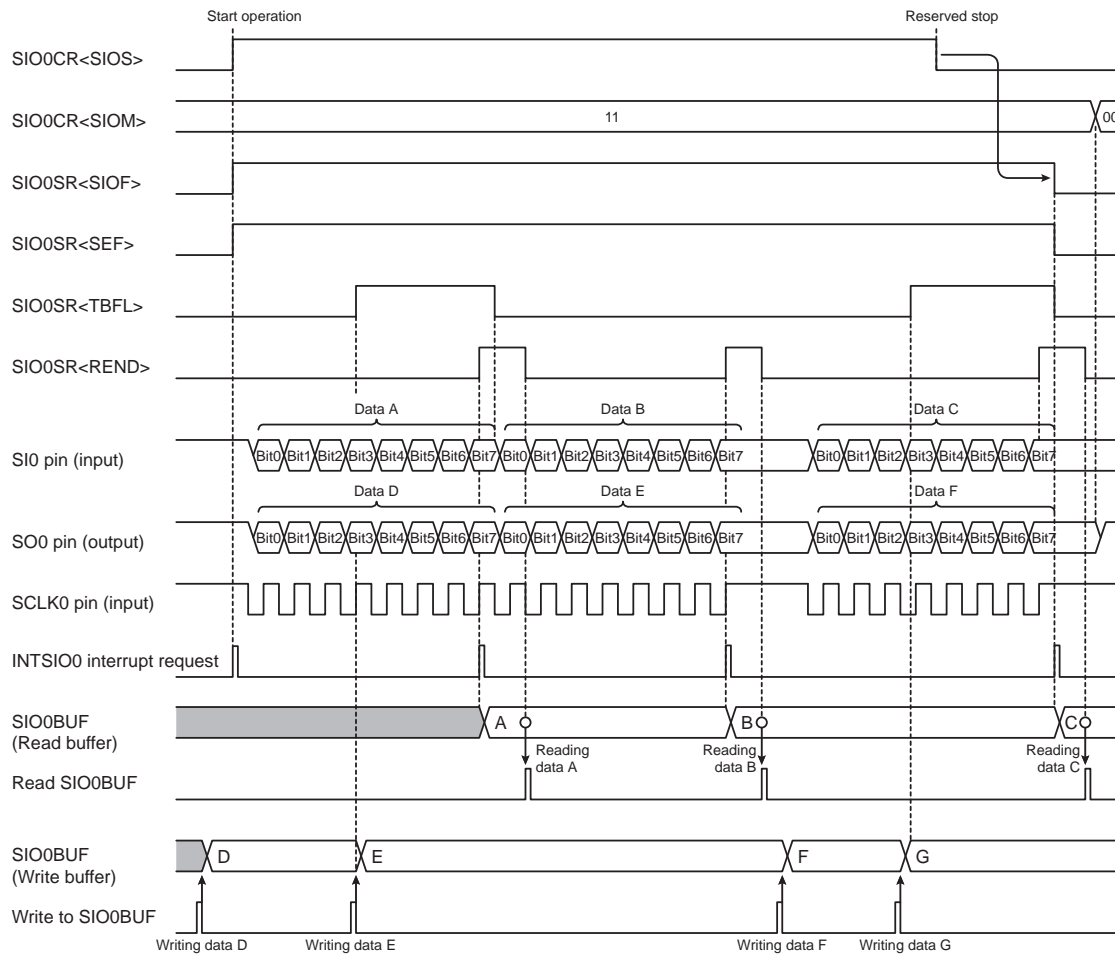


Figure 16-15 8-bit Transmit/Receive Mode (External Clock and Reserved Stop)

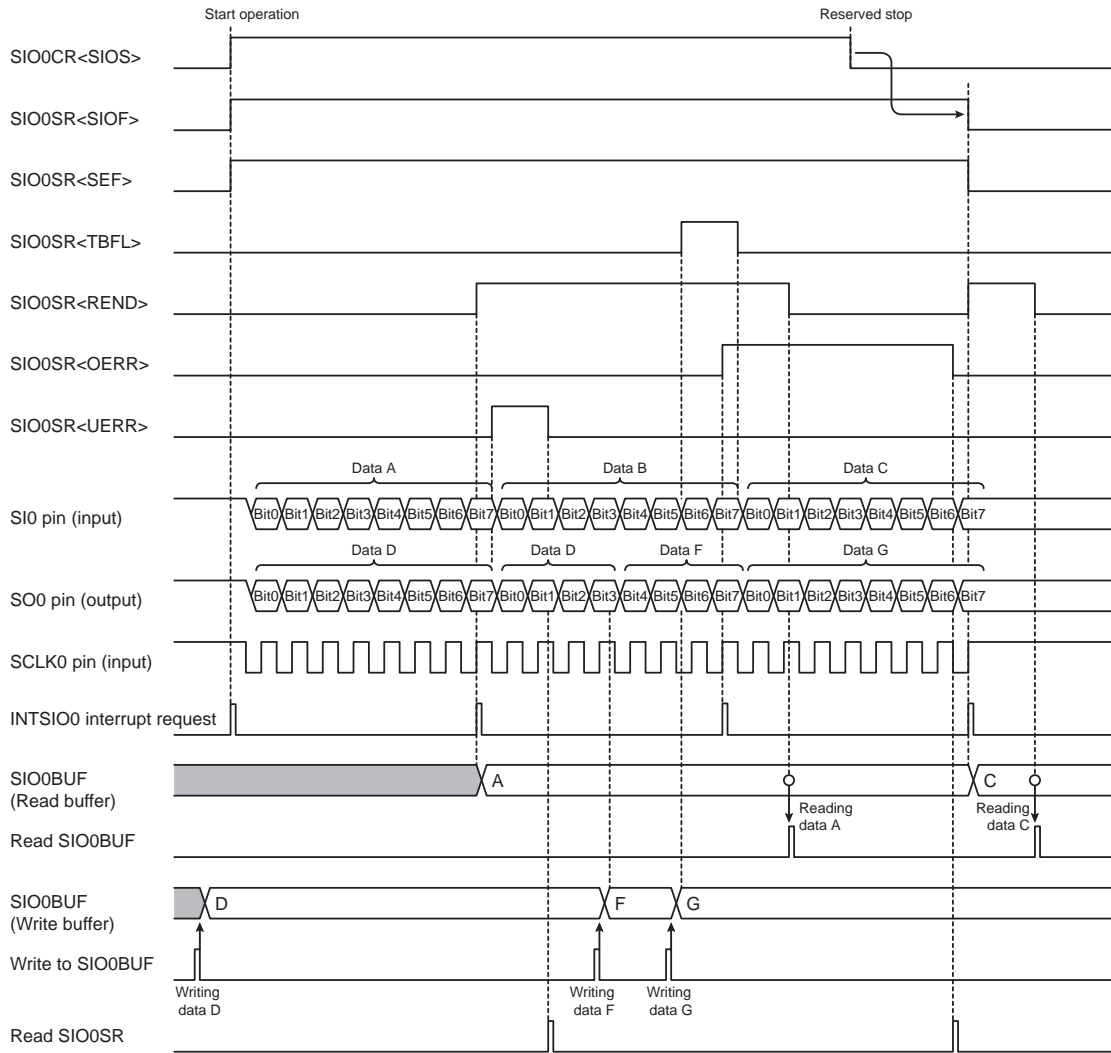


Figure 16-16 8-bit Transmit/Receive Mode (External Clock, Occurrence of Transmit Underrun Error and Occurrence of Overrun Error)

16.6 AC Characteristics

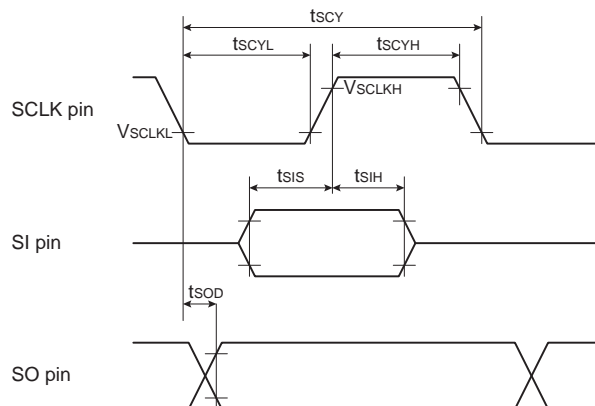


Figure 16-17 AC Characteristics

($V_{SS} = 0\text{ V}$, $V_{DD} = 4.5\text{ V} - 5.5\text{ V}$, $T_{opr} = -40\text{ to }85\text{ }^\circ\text{C}$)

Parameter	Symbol	Condition	Min	Typ.	Max	Unit
SCLK cycle time	t_{scy}	Internal clock operation SO pin and SCLK pin load capacity=100 pF	$2 / fcgck$	-	-	ns
SCLK "L" pulse width	t_{scyL}		$1 / fcgck$ - 25	-	-	
SCLK "H" pulse width	t_{scyH}		$1 / fcgck$ - 15	-	-	
SI input setup time	t_{sis}		60	-	-	
SI input hold time	t_{sih}		35	-	-	
SO output delay time	t_{sod}		-50	-	50	
SCLK cycle time	t_{scy}	External clock operation SO pin and SCLK pin load capacity=100 pF	$2 / fcgck$	-	-	
SCLK "L" pulse width	t_{scyL}		$1 / fcgck$	-	-	
SCLK "H" pulse width	t_{scyH}		$1 / fcgck$	-	-	
SI input setup time	t_{sis}		50	-	-	
SI input hold time	t_{sih}		50	-	-	
SO output delay time	t_{sod}		0	-	60	
SCLK low-level input voltage	t_{scklL}		0	-	$V_{DD} \times 0.30$	V
SCLK high-level input voltage	t_{scklH}		$V_{DD} \times 0.70$	-	V_{DD}	

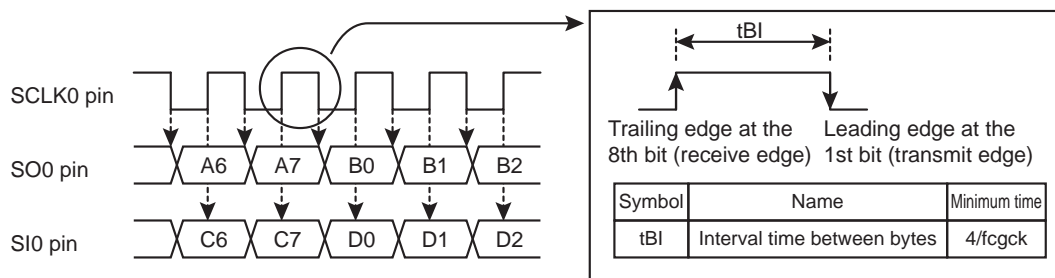


Figure 16-18 Interval time between bytes

17. Serial Expansion Interface (SEI)

SEI is one of the serial interfaces incorporated in the TMP89FM82. It allows connection to peripheral devices via full-duplex synchronous communication protocols. The TMP89FM82 contain one channel of SEI.

SEI is connected with an external device through SECLK, MOSI, MISO and the terminal \overline{SS} . SECLK, MOSI, MISO, and \overline{SS} pins respectively are shared with P24, P26, P25 and P23. When using these ports as SECLK, MOSI, MISO, or \overline{SS} pins, set each pin to SEI function.

17.1 Features

- The master outputs the shift clock for only a data transfer period.
- The clock polarity and phase are programmable.
- The data is 8 bits long.
- MSB or LSB-first can be selected.
- The programmable data and clock timing of SEI can be connected to almost all synchronous serial peripheral devices. Refer to “17.5 SEI Transfer Formats ”.
- The transfer rate can be selected from the following four (master only):
 - 4 Mbps, 2 Mbps, 1 Mbps, or 250 kbps (when operating at 8MHz)
- The error detection circuit supports the following functions:
 1. Write collision detection: When the shift register is accessed for write during transfer
 2. Overflow detection: When new data is received while the transfer-finished flag is set (slave only)
 3. Mode fault error input: When the SEI device is set as the master, driver output is disabled immediately upon input of a low level on the \overline{SS} pin (in open-drain output mode only).
 4. The transfer error detect: High Level input to the \overline{SS} pin during data transfer as a slave mode

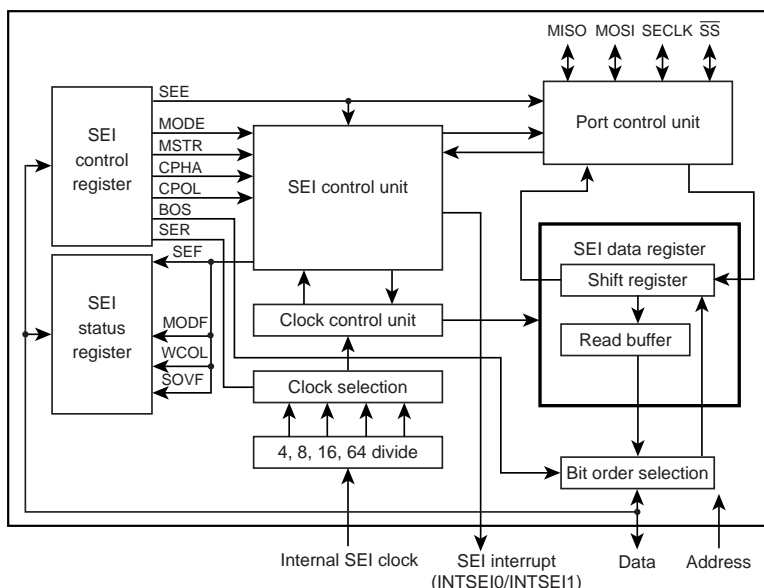
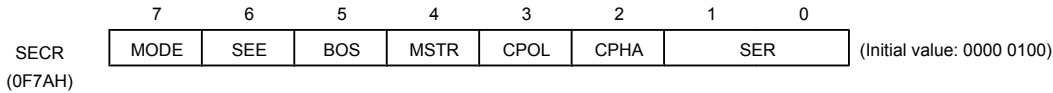


Figure 17-1 SEI (Serial Extended Interface)

17.2 SEI Registers

The SEI interface has the SEI Control Register (SECR), SEI Status Register (SESR), and SEI Data Register (SEDR) which are used to set up the SEI system and enable/disable SEI operation.

17.2.1 SEI Control Register (SECR)



Read-modify-write instruction are prohibited.

Bit	Field Name	Description	Access
MODE	Mode fault detection (Note1)	0: Enables mode fault detection 1: Disables mode fault detection It is available in Master mode only. (Note: Make sure to set <MODE> bit to "1" for disabling Mode fault detection)	R/W
SEE	SEI operation (Note2)	0: Disables SEI operation 1: Enables SEI operation	
BOS	Bit order selection	0: Transmitted beginning with the MSB (bit 7) of SEDR register 1: Transmitted beginning with the LSB (bit 0) of SEDR register	
MSTR	Mode selection (Note3)	0: Sets SEI for slave 1: Sets SEI for master	
CPOL	Clock polarity	0: Selects active-"H" clock. SECLK remains "L" when IDLE. 1: Selects active-"L" clock. SECLK remains "H" when IDLE.	
CPHA	Clock phase	Selects clock phase. For details, refer to "17.5 SEI Transfer Formats "	
SER	Selects SEI transfer rate	00: Divide-by-2 01: Divide-by-4 10: Divide-by-8 11: Divide-by-32	

Note 1: If mode fault detection is enabled, an interrupt is generated when the MODF flag (SESR<MODF>) is set.

Note 2: SEI operation can only be disabled after transfer is completed. Before the SEI can be used, Control register of general-purpose port used combinedly must be set for the SEI function (In case of P2 port, P2CR and P2FC).

When using the SEI as the master, set the SECR<MSTR>bit to "1" and the SECR<SEE> bit to "1" (to enable SEI operation) and then place transmit data in the SEDR register. This initiates transmission/reception.

Note 3: Master/slave settings must be made before enabling SEI operation (This means that the SECR<MSTR> bit must first be set before setting the SECR<SEE> bit to "1").

17.2.1.1 Transfer rate

- (1) Master mode (Transfer rate = $fcgck / \text{Internal clock divide ratio}$ (unit: bps))

The table below shows the relationship between settings of the SER bit and transfer bit rates when the SEI is operating as the master.

Table 17-1 SEI Transfer Rate

SER	Internal Clock Divide Ratio of SEI	Transfer Rate when $fc = 8 \text{ MHz}$
00	2	4 Mbps
01	4	2 Mbps
10	8	1 Mbps
11	32	250 kbps

(2) Slave mode

When the SEI is operating as a slave, the serial clock is input from the master and the setting of the SER bit has no effect. The maximum transfer rate is $fcgck/2$.

Note: Take note of the following relationship between the serial clock speed and $fcgck$ on the master side:

$$15.625 \text{ kbps} < \text{Transfer rate} < fcgck/2 \text{ bps}$$

Example) $15.625 \text{ kbps} < \text{Transfer rate} < 4 \text{ Mbps}$ ($fcgck = 8 \text{ MHz}$ at $V_{DD} = 4.5 \text{ to } 5.5 \text{ V}$)

$15.625 \text{ kbps} < \text{Transfer rate} < 0.5 \text{ Mbps}$ ($fcgck = 1 \text{ MHz}$ at $V_{DD} = 4.5 \text{ to } 5.5 \text{ V}$)

17.2.2 SEI Status Register (SESR)



SEF	Transfer-finished flag (Note1)	0: Transfer in progress 1: Transfer completed	Read only
WCOL	Write collision error flag (Note2)	0: No write collision error occurred 1: Write collision error occurred	
SOVF	Overflow error flag (slave) (Note3)	0: No overflow occurred 1: Overflow occurred	
MODF	Mode fault flow error flag (master) (Note4)	0: No mode fault occurred 1: Mode fault occurred	
SSEF	Transfer error flag (slave) (Note5)	0: No transfer error occurred 1: Transfer error occurred	

Note 1: The SEF flag is automatically set at completion of transfer. The SEF flag thus set is automatically cleared by reading the SESR register and accessing the SEDR register.

Note 2: The SESR<WCOL> flag is automatically set by a write to the SEDR register while transfer is in progress. Refer "17.8.2 Write collision error" for detail.

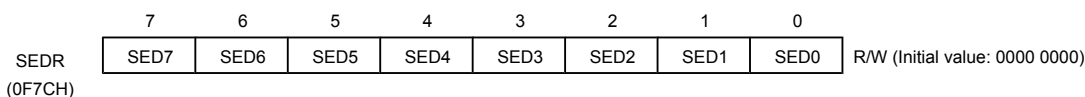
Note 3: The SESR<SOVF> flag is automatically set when the device finishes reading the next data while the SEF flag is set. Refer "17.8.3 Overflow error" for detail. During master mode, this bit does not function; and the read data is "0".

Note 4: The SESR<MODF> flag is set when the \overline{SS} pin is driven to low. Refer "17.8.1 Mode fault error" for detail. During slave mode, this bit does not function; and the read data is 0.

Note 5: The SESR<SSEF> flag is set when the \overline{SS} pin change from "L" level to "H" level during data transfer. Refer "17.8.4 Transfer error" for detail. During master mode, this bit does not function; and the read data is 0.

17.2.3 SEI Data Register (SEDR)

The SEI Data Register (SEDR) is used to send and receive data. When the SEI is set for master, data transfer is initiated by writing to this SEDR register. If the master device needs to write to the SEDR register after transfer began, always check to see by means of an interrupt or by polling that the SEF flag (SESR<SEF>) is set, before writing to the SEDR register.



17.3 SEI Operation

During a SEI transfer, data transmission (serial shift-out) and reception (serial shift-in) are performed simultaneously. The serial clock (SECLK) synchronizes the timing at which information on the two serial data lines are shifted or sampled. Slave device can be selected individually using the slave select pin (\overline{SS} pin). For unselected slave devices, data on the SEI bus cannot be taken in.

17.3.1 Controlling SEI clock polarity and phase

The SEI clock can select its phase and polarity from four combinations available by using two bits in SEI control register SECR<CPHL,CPOL>.

The clock polarity is set by <CPOL> to active-high or active-low.

The clock phase is set by <CPHA>. In order to communicate among the master device and the slave devices, it must have the same clock phase and polarity.

. Refer to Section ““17.5 SEI Transfer Formats ””. for detail.

Table 17-2 Clock Phase and Polarity

CPHA	SEI control register (SECR 0F7AH) bit 2
CPOL	SEI control register (SECR 0F7AH) bit 3

17.3.2 SEI data and clock timing

The programmable data and clock timing of SEI allows connection to almost all synchronous serial peripheral devices. Refer to Section ““17.5 SEI Transfer Formats ””.

17.4 SEI Pin Functions

The TMP89FM82 have four input/output pins associated with SEI transfer. The functionality of each pin depends on the SEI device's mode (master or slave). The SECLK pin, MOSI pin and MISO pin of all SEI devices are connected with the same name pin to each other.

17.4.1 SECLK pin

The SECLK pin functions as an output pin when SEI is set for master, or as an input pin when SEI is set for slave.

When SEI is set for master, serial clock is output from the SECLK pin to external devices. After the master starts transfer, eight serial clock pulses are output from the SECLK pin only during transfer.

When SEI is set for slave, the SECLK pin functions as an input pin.

During data transfer between master and slave, device operation is synchronized by the serial clock output from the master.

When the \overline{SS} pin of the slave device is "H", data is not taken in regardless of whether the serial clock SECLK is available.

For both master and slave devices, data is shifted in and out at a rising or falling edge of the serial clock SECLK, and is sampled at the opposite edge where the data is stable. The active edge is determined by SEI transfer protocols.

Note: Noise in a slave device's SECLK input may cause the device to operate erratically.

17.4.2 MISO/MOSI pins

The MISO and MOSI pins are used for serial data transmission/reception. The status of each pin during master and slave are shown in the table below.

Table 17-3 MISO/MOSI Pin Status

	MISO	MOSI
Master	Input	Output
Slave	Output	Input

Also, the SECLK, MOSI, and MISO pins can be set for open-drain by the each pin's input/output control register (In case P2 Port, Input/output Control Register is P2OUTCR).

17.4.3 \overline{SS} pin

The \overline{SS} pin function differently when the SEI is the master and when it is a slave.

- When the SEI is a slave, this pin is used to enable the SEI transmission/reception. When the slave's \overline{SS} pin is high, the slave device ignores the serial clock from the master. Nor does it receive data from the MISO pin. When the slave's \overline{SS} pin is L, the SEI operates as slave. In case of \overline{SS} pin change from "L" level to "H" level during data transfer, the device recognize it as transfer error, and clear the shift register to "0" and set SESR<SSEF> to "1".

- When the SEI is the master, the \overline{SS} pin is used for SEI error input. When the \overline{SS} pin of the master device goes low, output is immediately disabled on the SECLK and MOSI pins if these pins are configured as open-drain outputs. This causes the SESR<MODF> flag of the master device to be set. This state is called a mode fault. The mode fault function is provided to prevent damage caused by a collision between drivers that may occur, for example, when another device on the same bus becomes the master.

In order to detect \overline{SS} pin level, it takes 4 fcgck time. Therefore, the master device need to start data transfer more than 4 fcgck after the slave device \overline{SS} pin changed to "L" level. Also the slave device with <CHAR>=0 transfer format need to read or write SEDR register, more than 4 fcgck after \overline{SS} pin change from "L" level to "H" level.

17.5 SEI Transfer Formats

The transfer formats are set using CPHA and CPOL (SECR<CPHA,CPOL>). CPHA allows transfer protocols to be selected between two.

17.5.1 CPHA (SECR register bit 2) = 0 format

Figure 17-2 shows a transfer format when CPHA = 0.

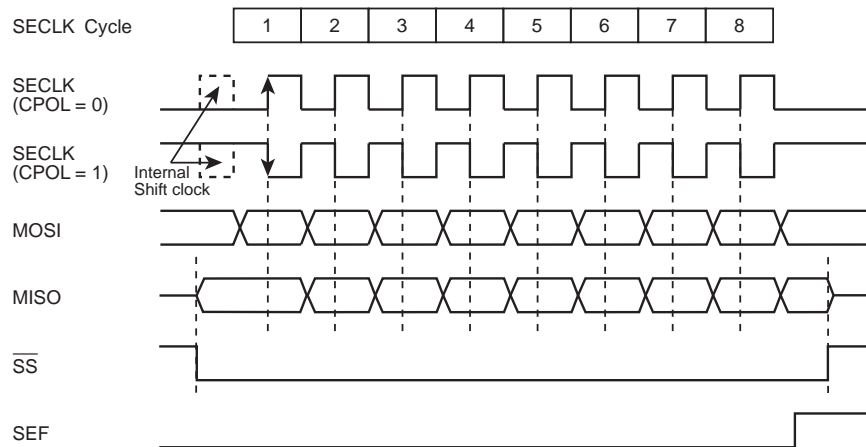


Figure 17-2 Transfer Format When CPHA = 0

Table 17-4 Transfer Format Details when CPHA = 0

	SECLK Level when not Communicating (IDLE)	Data Shift	Data Sampling
CPOL = 0	"L" level	Falling edge of transfer clock	Rising edge of transfer clock
CPOL = 1	"H" level	Rising edge of transfer clock	Falling edge of transfer clock

- Master mode.

In master mode, transfer is initiated by writing new data to the SEDR register. At this time, the new data changes state on the MOSI pin a half clock period before the shift clock starts pulsing. Use BOS (SECR<BOS>) to select whether the data should be shifted out beginning with the MSB or LSB. The SEF flag (SESR<SEF>) is set after the last shift cycle.

- Slave mode

Before writing data to the SEDR (SEI Data Register), it is needed to confirm the SEF flag set upon completion of transfer and the \overline{SS} pin goes "H" again. Do not write the next data to the SEDR register while \overline{SS} pin is "L". A write during this period causes collision of writes, so that the WCOL flag (SESR<WCOL>) is set.

17.5.2 CPHA = 1 format

Figure 17-3 shows a transfer format when CPHA = 1.

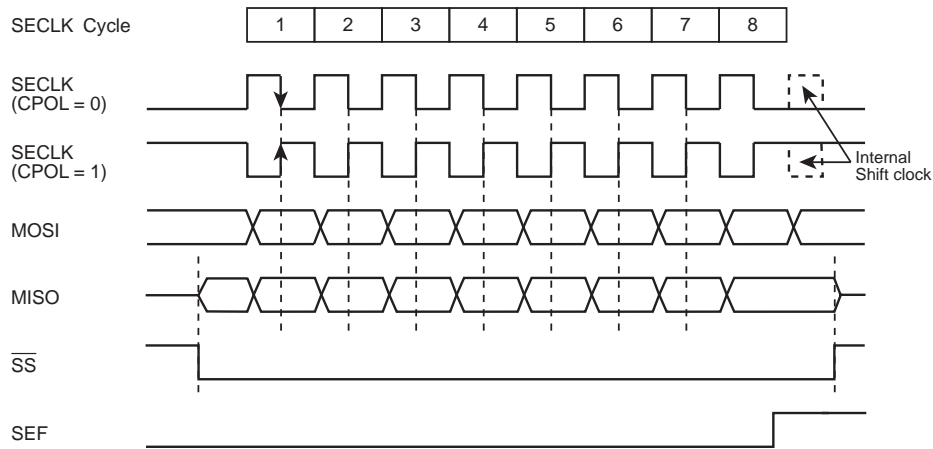


Figure 17-3 Transfer Format When CPHA = 1

Table 17-5 Transfer Format Details when CPHA = 1

	SECLK Level when Not Communicating (IDLE)	Data Shift	Data Sampling
CPOL=0	"L" level	Rising edge of transfer clock	Falling edge of transfer clock
CPOL=1	"H" level	Falling edge of transfer clock	Rising edge of transfer clock

- Master mode

Transfer is initiated by writing new data to the SEDR register. The new data changes state on the MOSI pin at the first edge of the shift clock. Use BOS (SECR<BOS>) to select whether the data should be shifted out beginning with the MSB or LSB.

- Slave mode

Unlike in the case of CPHA = 0 format, data can be written to the SEDR (SEI Data Register) regardless of whether the SS pin is "L" or "H".

In master / slave mode, the SEF flag (SESR<SEF>) is set after the last shift cycle. Writing data to the SEDR register while data transfer is in progress causes collision of writes. Therefore, wait until the SEF flag is set before writing new data to the SEDR register.

17.6 Functional Description

Figure 17-4 shows how the SEI master and slave are connected.

When the master device sends data from its MOSI pin to a slave device's MOSI pin, the slave device returns data from its MISO pin to the master device's MISO pin. This means that data are exchanged between master and slave via full-duplex communication, with data output and input operations synchronized by the same clock signal. After end of transfer, the transmit byte in 8 bit shift register is replaced with the receive byte.

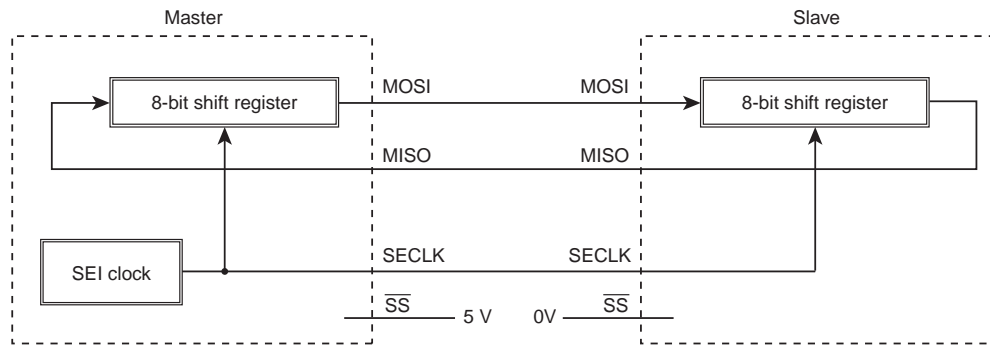


Figure 17-4 Master and Slave Connection in SEI

Figure 17-5 shows an example of how an SEI system can be configured. The general-purpose pins used for SEI transfer can be programmed to be open-drain outputs. This feature enables these pins to be connected with multiple devices. (We recommend using these pins in open-drain output mode.)

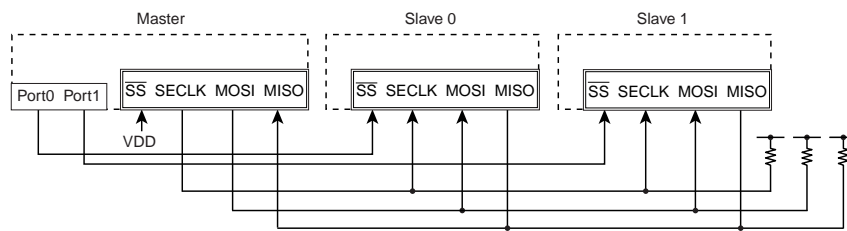


Figure 17-5 Example of SEI System Configuration (1 Master, 2 Slaves)

In this example, all the SECLK pins are interconnected, and all the MOSI and MISO pins are interconnected. One SEI device is set as the master and all the other SEI devices on the SEI bus are set as slaves. The master device sends data from its SECLK and MOSI pins to the SECLK and MOSI pins of a slave device.

The slave device selected by the master sends data from its MISO pin to the MISO pin of the master device.

17.7 Interrupt Generation

The TMP89FM82 is provided with the SEI interrupt channels 0 and 1 (INTSEI0 and INTSEI1) for processing SEI interrupts.

INTSEI0 generates an interrupt pulse when the SESR<MODF> flag is set. INTSEI1 generates an interrupt pulse when the SESR<SEF> flag is set.

Table 17-6 SEI Interrupt

SEI interrupt channel 0 (INTSEI0)	Generates an interrupt pulse when the MODF flag is set
SEI interrupt channel 1 (INTSEI1)	Generates an interrupt pulse when the SEF flag is set

17.8 SEI System Errors

The SEI can detect the following four types of system errors:

- Mode fault error: A mode fault error occurs if the \overline{SS} pin of the master device is driven low.
- Write collision error: A write collision error occurs if data is written to the SEDR register while a transfer is in progress.
- Overflow error: An overflow error occurs if new data is received in a slave device before the previous data is read.
- Transfer error: A transfer error occurs if the \overline{SS} pin of the slave device is driven "H" during data transfer.

17.8.1 Mode fault error

When the SEI device is set as the master, a mode fault error occurs if the \overline{SS} pin is driven low. When a mode fault error occurs, the SEI immediately performs the following operations:

- Clears the SECR<MSTR> bit to 0 to set the SEI device as a slave.
- Clears the SECR<SEE> bit to 0 to disable SEI operation.
- Sets the SESR<MODF> flag to 1 to generate an INTSEI0 interrupt pulse.
- Sets the SECLK and MOSI pins to output "H". (These pins become high-impedance in open-drain output mode, or "H" level in CMOS output mode.)

The SESR<MODF> flag thus set is automatically cleared by a read of the SESR register and a write to the SECR register. Once the SESR<MODF> flag is cleared, the mode setting can be made again.

When open-drain output mode is selected, this mode fault error function can be used to prevent the collision between the SECLK pin and MOSI pin drivers if two or more devices on the same bus are set as the master at the same time. (It is not possible to prevent the collision of the MISO pins if the \overline{SS} pins of two or more slave devices on the same bus are simultaneously driven low.)

17.8.2 Write collision error

A write collision error occurs if an attempt is made to write to the SEDR register while data is being transferred. Because the SEDR register is not configured as dual-buffers for sending data, a write to the SEDR register directly results in writing to the SEI shift register. Therefore, writing to the SEDR register while a transfer is in progress causes a write collision error.

In no case is data transfer stopped in the middle, so that the write data which caused a write collision error will not be written to the shift register. Because slaves cannot control the timing at which the master starts a transfer, write collision errors normally occur on slave devices. The master has the right to perform a transfer at any time, and thus write collision errors do not normally occur on the master side. However, both master and slave SEI devices are capable of detecting write collision errors.

A write collision error tends to occur on a slave device when the master shifts out data at a speed faster than that at which the slave processes the transferred data. More specifically, a write collision error occurs if the slave transfers a new value to the SEDR register when the master has already started a shift cycle for the next byte.

The SEDR register read and access to the SEDR register while SESR<WCOL> flag is set to "1", makes SESR<WCOL>flag clear to "0". Interrupt pulse will not generated by SESR<WCOL> flag set to "1".

17.8.3 Overflow error

The transfer bit rate on the SEI bus is determined by the master. At higher bit rates, a slave device may not be able to keep up with transfer from the master. This occurs when the master shifts out data faster than can be processed by the slave. The SEI module uses the SESR<SOVF> flag to detect an overflow error.

The SOVF flag is set if the following conditions are both met:

- When the SEI module is set as a slave
- When the previous data byte remains to be read after a new data byte has been received

When the SOVF flag is set, the SEDR register is overwritten with a new data byte.

The SEDR register read and access to the SEDR register while SESR<SOVF> flag is set to "1", makes SESR<SOVF>flag clear to "0". SESR<SOVF> flag is also cleared by changing to the master mode. Interrupt pulse will not generated by SESR<SOVF> flag set to "1".

Note: Please carefully examine the communication processing routine and communication rate when designing your application system.

17.8.4 Transfer error

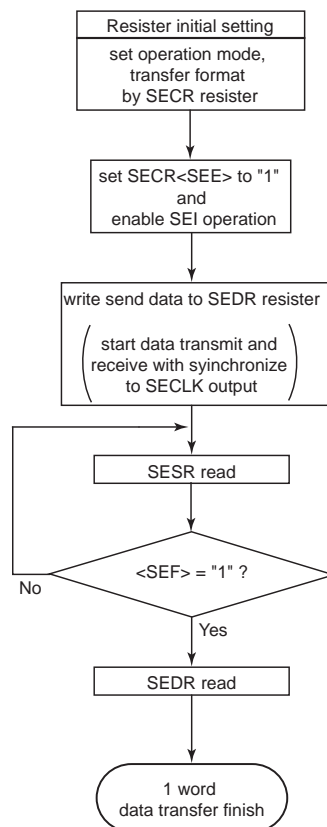
\overline{SS} pin input "H" level during data transfer execution causes transfer error for the slave device. The slave device which generate a transfer, clear the shift register to "0" and set the SESR<SSEF>flag. .

The SEDR register read and access to the SEDR register while SESR<SSEF> flag is set to "1", makes SESR<SSEF>flag clear to "0".

17.9 Bus Driver Protection

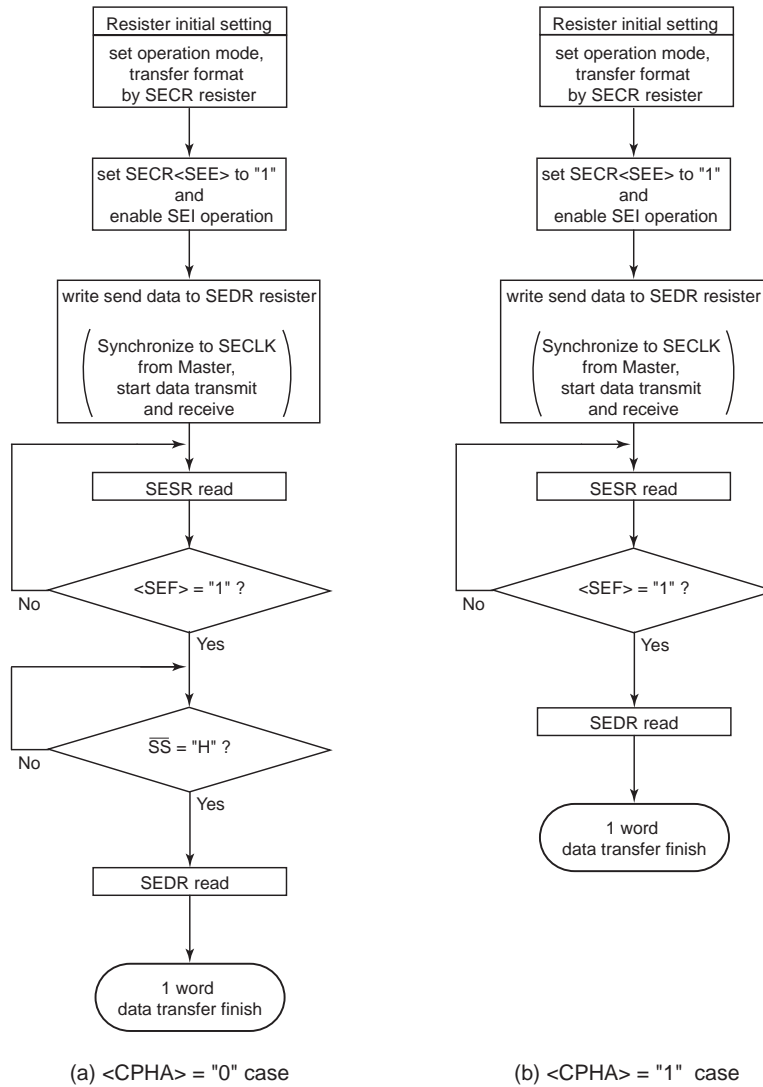
- One method to protect the device against latch-up due to collision of the bus drivers is the use of an open-drain option. This means changing the SEI pins' CMOS outputs to the open-drain type, which is accomplished by setting the SECLK, MOSI, and MISO pins for open-drain individually by using the each Port Input/output Control Register. In this case, these pins must be provided with pull-up resistors external to the chip.
- When using the SEI pins as CMOS outputs, we recommend connecting them to the bus via resistors in order to protect the device against collision of drivers. However, be sure to select the appropriate resistance value which will not affect actual device operation (Example: 1 Ω to several k Ω).

17.10 Flow chart



Note: <SEF> is cleared by SEDR register read or write. Therefore, the SEDR read can omit in case of continuous data transfer.

Figure 17-6 Master transfer flow (example)



Note 1: <SEF> is cleared by SEDR resister read and write. Therefore, the SEDR read can omit in case of continuous data transfer.

Note 2: Send data setting must complete before the master device start transfer. In case of master device start before setting send data, cause a receiving data sending of previous transfer .

Figure 17-7 Slave transfer flow (example)

18. Key-on Wakeup (KWU)

The key-on wakeup is a function for releasing the STOP mode at the $\overline{\text{STOP}}$ pin or at pins KWI3 through KWI0.

18.1 Configuration

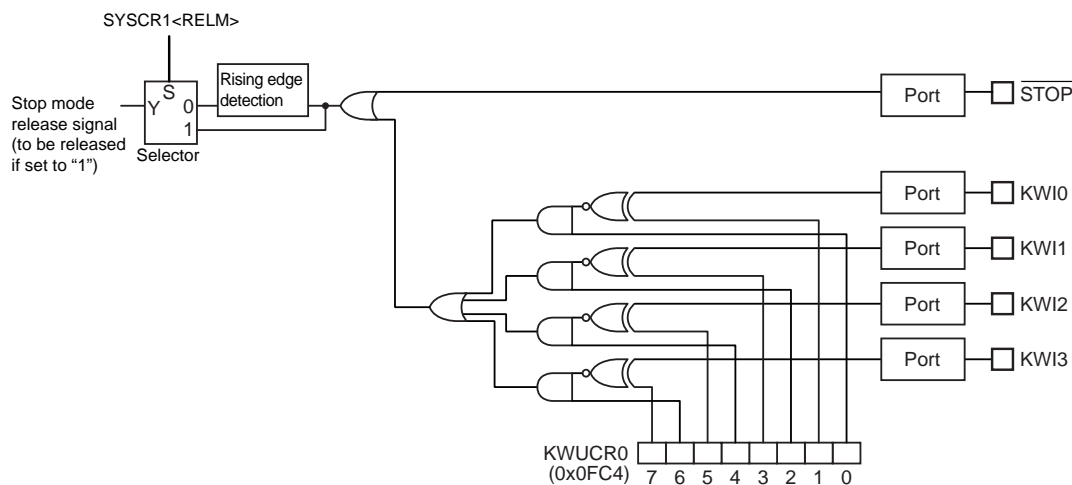


Figure 18-1 Key-on Wakeup Circuit

18.2 Control

Key-on wakeup control registers (KWUCR0) can be configured to designate the key-on wakeup pins (KWI3 through KWI0) as STOP mode release pins and to specify the STOP mode release levels of each of these designated pins.

Key-on wakeup control register 0

KWUCR0 (0x0FC4)	7	6	5	4	3	2	1	0
Bit Symbol	KW3LE	KW3EN	KW2LE	KW2EN	KW1LE	KW1EN	KW0LE	KW0EN
Read/Write	R/W	R/W	R/W	R/W	R/W	R/W	R/W	R/W
After reset	0	0	0	0	0	0	0	0

KW3LE	STOP mode release level of KWI3 pin	0: Low level 1: High level
KW3EN	Input enable/disable control of KWI3 pin	0: Disable 1: Enable
KW2LE	STOP mode release level of KWI2 pin	0: Low level 1: High level
KW2EN	Input enable/disable control of KWI2 pin	0: Disable 1: Enable
KW1LE	STOP mode release level of KWI1 pin	0: Low level 1: High level
KW1EN	Input enable/disable control of KWI1 pin	0: Disable 1: Enable
KW0LE	STOP mode release level of KWI0 pin	0: Low level 1: High level
KW0EN	Input enable/disable control of KWI0 pin	0: Disable 1: Enable

18.3 Functions

By using the key-on wakeup function, the STOP mode can be released at a $\overline{\text{STOP}}$ pin or at KWIm pin (m: 0 through 3). After resetting, the $\overline{\text{STOP}}$ pin is the only STOP mode release pin. To designate the KWIm pin as a STOP mode release pin, therefore, it is necessary to configure the key-on wakeup control register (KWUCRn) (n: 0). Because the $\overline{\text{STOP}}$ pin lacks a function for disabling inputs, it can be designated as a pin for receiving a STOP mode release signal, irrespective of whether the key-on wakeup function is used or not.

- Setting KWUCRn and P4PU registers

To designate a key-on wakeup pin (KWIm) as a STOP mode release pin, set KWUCRn<KWmEN> to "1". After KWIm pin is set to "1" at KWUCRn<KWmEN>, a specific STOP mode release level can be specified for this pin at KWUCRn<KWmLE>. If KWUCRn<KWmLE> is set to "0", STOP mode is released when an input is at a low level. If it is set to "1", STOP mode is released when an input is at a high level. For example, if you want to release STOP mode by inputting a high-level signal into a KWIO pin, set KWUCR0<KW0EN> to "1", " and KWUCR0<KW0LE> to "1".

Each KWIm pin can be connected to internal pull-up resistors. Before connecting to internal pull-up resistors, the corresponding bits in the pull-up control register (P4PU) at port P4 must be set to "1".

- Starting STOP mode

To start the STOP mode, set SYSCR1<RELM> to "1" (level release mode), and SYSCR1<STOP> to "1".

To use the key-on wakeup function, do not set SYSCR1<RELM> to "0" (edge release mode). If the key-on wakeup function is used in edge release mode, STOP mode cannot be released, although a rising edge is input into the STOP pin. This is because the KWIm pin enabling inputs to be received is at a release level after the STOP mode starts.

- Releasing STOP mode

To release STOP mode, input a high-level signal into the $\overline{\text{STOP}}$ pin or input a specific release level with 1μs or more kept into the KWIm pin for which receipt of inputs is enabled. If you want to release STOP mode at the KWIm pin, rather than the $\overline{\text{STOP}}$ pin, continue inputting a low-level signal into the $\overline{\text{STOP}}$ pin throughout the period from when the STOP mode is started to when it is released.

If the $\overline{\text{STOP}}$ pin or KWIm pin is already at a release level when the STOP mode starts, the following instruction will be executed without starting the STOP mode (with no warm-up performed).

Note 1: If an analog voltage is applied to KWIm pin for which receipt of inputs is enabled by the key-on wakeup control register (KWUCRn) setting, a penetration current will flow. Therefore, in this case, the analog voltage should be not applied to this pin.

Table 18-1 STOP Mode Release Level (edge)

Pin name	Release level (edge)		
	SYSCR1<RELM>="1" (level release mode)		SYSCR1<RELM>="0" (edge release mode)
	KWUCRn<KWmLE>="0"	KWUCRn<KWmLE>="1"	
$\overline{\text{STOP}}$	"H" level		Rising edge
KWIm	"L" level	"H" level	Don't use

Example :A case in which STOP mode is started with the release level of the $\overline{\text{STOP}}$ pin set to a high level and the release level of KWIO set to a low level (connected to an internal pull-up resistor of the KWIO pin)

```
DI                                     ; IMF← 0
SET   (P4PU),0                         ; KWIO (P40) connected to a pull-up resistor
LD    (KWUCR0), 0y00000001            ; the KWIO pin is set to enable inputs, and its release level is set
                                           ; to a low level.
LD    (SYSCR1), 0y10100000            ; Starting in level release mode
```


19. Motor Control Circuit (PMD: Programmable motor driver)

The TMP89FM82 contains one channel of motor control circuit which supports square wave drive and sine wave drive. This motor control circuit can control brushless DC motors or AC motors with or without sensors. With its primary functions like those listed below incorporated in hardware, it helps to accomplish sine wave motor control easily, with the software load significantly reduced.

1. Rotor position detect function
 - Can detect the rotor position, with or without sensors
 - Can be set a number of times to determine the rotor position when detection matched, to prevent erroneous detection
 - Can set a position detection inhibit period immediately after PWM-on
2. Independent timer and timer capture functions for motor control
 - Contains one-channel magnitude comparison timer and two-channel coincidence comparison timers that operate synchronously for position detection
3. PWM waveform generating function
 - Generates 12-bit PWM with 41.6 ns resolution (at $f_x=24\text{MHz}$)
 - Can set a frequency of PWM interrupt occurrence
 - Can set the dead time at PWM-on
 - Can set the single side PWM (Non complimentary PWM) at dead time setting
4. Current limit protective function
 - Provides overload protective function based on protection signal input $\overline{\text{CLI}}$
5. Emergency stop function in case of failure
 - Can stop motor control phase output immediately in an emergency case by $\overline{\text{EMGI}}$ input
 - Not easily cleared by software runaway
6. Automatic commutation/Automatic position detection start function
 - Comprised of dual-buffers, can activate automatic commutation synchronously with position detection or timer
 - Can set a next position detect start timing and start automatic position detection at the set time
7. Electrical angle timer function
 - Can count from 0 to 383 range for 360 degrees of electrical angle (384Byte PMD RAM)
 - Can output the Sine wave data table RAM data which is pointed by the counted electrical angle to the waveform arithmetic circuit
8. Waveform arithmetic circuit
 - Calculate the PWM output duty based on the voltage data (amp. value) and the sine wave data which are read from the RAM based on the electrical angle timer.
 - Calculate the PWM output duty based on the sine wave data which is in a 3 phase wave form data register.
 - Can output 100% duty PWM by voltage amplitude register setting.
 - Output the calculation result to the waveform synthesis circuit.

Note 1: Connect an 8MHz oscillator to XIN-XOUT and operate it with $f_c = f_{cgck} = 8\text{MHz}$ when use PMD.

Note 2: f_{cgck} and f_x are used as the operation clock in PMD. Start the operation of PMD after supply the necessary clocks to PMD with high-frequency clock oscillation circuit and PLL circuit operate.

Note 3: The operation of PMD should be stopped beforehand when stopping high-frequency oscillation circuit and PLL circuit and then start the operation of STOP mode, IDLE0 mode, SLOW1 mode, SLOW2 mode, SLEEP0 mode and SLEEP1 mode.

19.1 Outline of Motor Control

The following explains the method for controlling a brushless DC motor with 120 degree control wave drive. In a brushless DC motor, which stator windings to apply electric current are determined from the rotor's magnetic pole position, and the current-applied windings are changed as the rotor turns. The rotor's magnetic pole position is determined using a sensor such as a hall IC or by detecting polarity change (zero-cross) points of the induced voltage that generated by the motor rotation (sensorless control). For the sensorless case, the induced voltage is detected by applying electric current to two phases and not applying electric current to the remaining other phase. In this two-phase current turn on case, there are six current application patterns as shown in Table 19-1, which are changed synchronously with the phases of the rotor. In this two-phase current on case, the current on time in each phase is 120 degrees relative to 180 degrees of the induced voltage.

Table 19-1 Current Application Patterns

Current Application Pattern	Upper Transistor			Lower Transistor			Current on Winding
	u	v	w	x	y	z	
Mode 0	ON	OFF	OFF	OFF	ON	OFF	U→V
Mode 1	ON	OFF	OFF	OFF	OFF	ON	U→W
Mode 2	OFF	ON	OFF	OFF	OFF	ON	V→W
Mode 3	OFF	ON	OFF	ON	OFF	OFF	V→U
Mode 4	OFF	OFF	ON	ON	OFF	OFF	W→U
Mode 5	OFF	OFF	ON	OFF	ON	OFF	W→V

Note: One of the upper or lower transistors is PWM controlled.

For brushless DC motors, the number of revolutions is controlled by an applied voltage, and the voltage level is controlled by PWM. At this time, the current on windings need to be changed in synchronism with the phases of the induced voltage. Control timing in cases where the current on windings are changed by means of sensorless control is illustrated in Figure 19-4. For three-phase motors, zero-crossing occurs six times during one cycle of the induced voltage (electrical angle 360 degrees), so that the electrical angle from one zero-cross point to the next is 60 degrees. Assuming that this period comprises one mode, the rotor position can be divided into six modes by zero-cross points. The six current application patterns shown above correspond one for one to these six modes. The timing at which the current application patterns are changed (commutation) is shift 30 degrees of electrical angle, with respect to the position detection by an induced voltage.

Mode time (60 degree rotation time) is obtained by detecting a zero-cross point at some timing and finding an elapsed time from the preceding zero-cross point. Because mode time corresponds to 60 degrees of electrical angle, the following applies for the case illustrated in Figure 19-4.

1. Current on windings change (commutation) timing : 30 degrees of electrical angle = mode time/2
2. Position detection start timing : 45 degrees of electrical angle = mode time × 3/4
3. Failure determination timing : 120 degrees of electrical angle = mode time × 2

Timings are calculated in this way. The position detection start timing in 2. is needed to prevent erroneous detection of the induced voltage for reasons that even after current application is turned off, the current continues flowing due to the motor reactance.

Control is exercised by calculating the above timings successively for each of the zero-cross points detected six times during 360 degrees of electrical angle and activating commutation, position detection start, and other operations according to that timing.

In this way, operations can be synchronized to the phases of the induced voltage of the motor.

The timing for motor control as in this example can be set freely as desired by using the internal timers of the microcontroller's PMD unit.

As for sine wave control, it requires controlling the PWM duty cycle for each pulse. Control of PWM duty cycles is accomplished by counting degrees of electrical angle and calculating the voltage data and sine wave data at the counted degree of electrical angle.

19.2 Configuration of the Motor Control Circuit

The motor control circuit consists of 5 units. These include a position detection unit to detect the zero-cross points of the induced voltage or position sensor signal, a timer unit to generate events at three instances of electrical angle timing, and a three-phase PWM output unit to produce three-phase output PWM waveforms. Also included are an electrical angle timer unit to count degrees of electrical angle and a waveform arithmetic unit to calculate sine waveform output duty cycles. There is the circuit in waveform arithmetic unit that operates by f_x which is generated by PLL circuit.

PMD function pins are allocated P8 and P9. As for the switching procedure from general port to PMD port, refer 1.7.1 Input/Output Pins and Input/output Control registers.

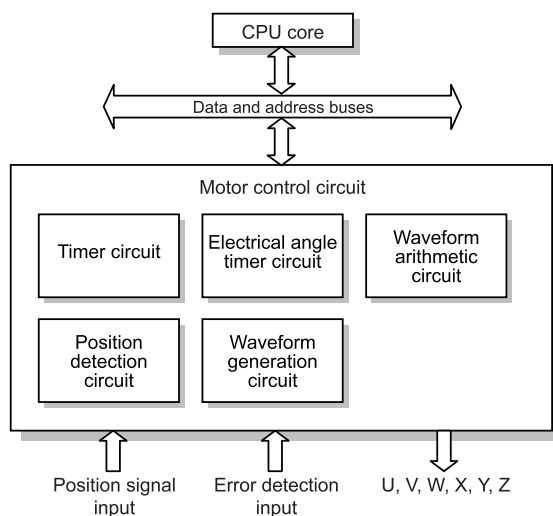


Figure 19-1 Block Diagram of the Motor Control Circuit

- Note 1: Always use the LDW instruction to set data in 16-bit data registers.
 - Note 2: The internal EMG circuit is enabled initially. Therefore, it is necessary to fix the EMG input port pin (P87) to "H" high level or disable the EMG circuit before setting PMD function to avoid an accidental EMG operation.
 - Note 3: When using Port P8 s input/output IO ports, it is necessary to disable EMG. function.
 - Note 4: When going to STOP mode, be sure to turn all of the PMD functions off before entering STOP mode.
 - Note 5: Operate high-frequency clock oscillation circuit and PLL circuit beforehand when using PMD circuit.
- It is necessary to stop PMD circuit operation before stopping high-frequency oscillation circuit and PLL circuit, and start the operation of STOP mode, IDLE0 mode, SLOW1 mode, SLOW2 mode, SLEEP0 mode and SLEEP1 mode.

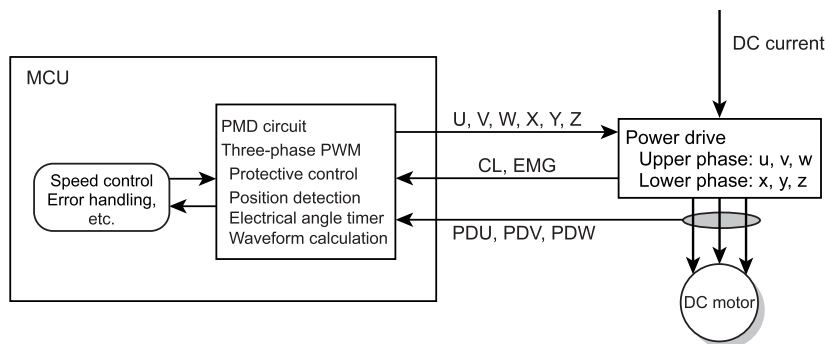


Figure 19-2 Conceptual Diagram of DC Motor Control

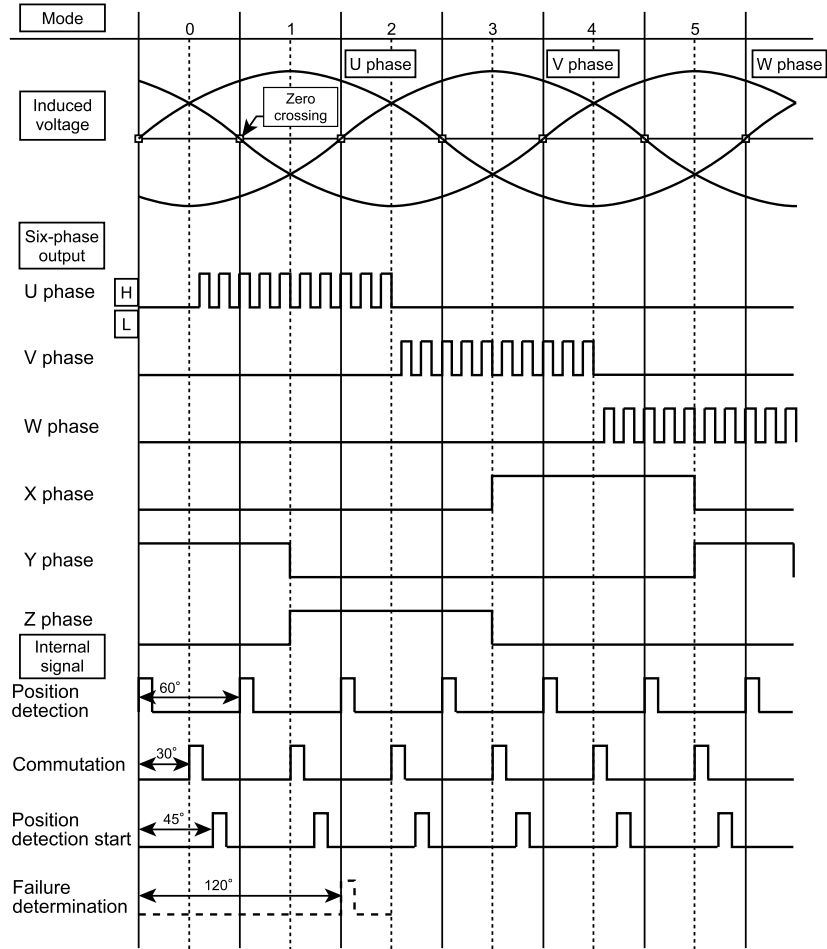


Figure 19-3 Example of Sensorless DC Motor Control Timing Chart

19.3 Position Detection Unit

The Position Detection Unit identifies the motor's rotor position from input patterns on the position signal input port. Applied to this position signal input port is the voltage status of the motor windings for the case of sensorless DC motors or a Hall element signal for the case of DC motors with sensors included. The expected patterns corresponding to specific rotor positions are set in the PMD Output Register (MDOUT) beforehand, and when the input position signal and the expected value match during rotor rotation, a position detect interrupt (INTPDC) is generated. Also, unmatched detect mode is available to detect the direction of motor rotation, i.e. when the status of the position detect input port changes from that of sampling start, a position detection interrupt is generated.

For three-phase brushless DC motors, there are six patterns of position signals, as summarized in Table 19-2 from the timing chart in Figure 19-3. Once a predicted position signal pattern is set in the MDOUT register, a position detect interrupt is generated the moment the position signal input PDU,PDV,PDW match this expected value. The position signals are internal signals which cannot be observed from the outside.

Table 19-2 Position Signal Input Patterns

Position Detection Mode	U Phase (PDU)	V Phase (PDV)	W Phase (PDW)
Mode 0	H	L	H
Mode 1	H	L	L
Mode 2	H	H	L
Mode 3	L	H	L
Mode 4	L	H	H
Mode 5	L	L	H



19.3.1 Configuration of the position detection unit

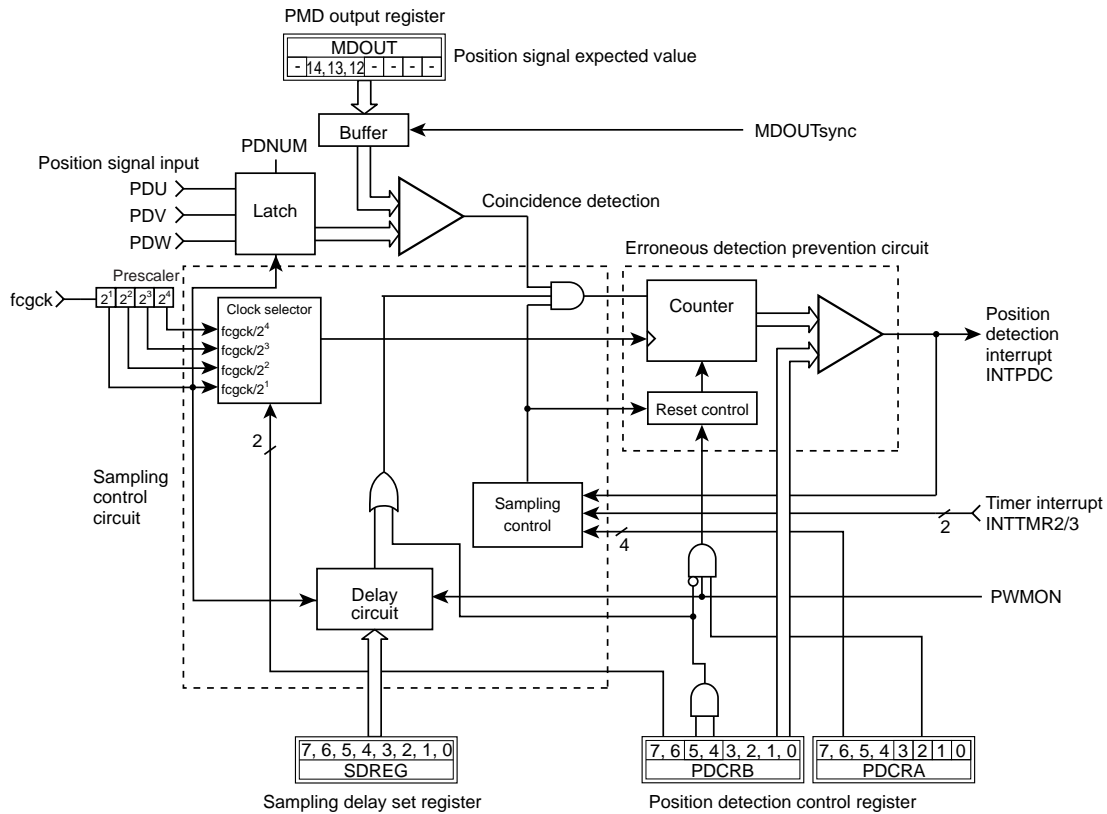


Figure 19-4 Configuration of the Position Detection Circuit

- The position detection unit is controlled by the Position Detection Control Register (PDCRA, PDCRB). After the position detect function is enabled, the unit starts sampling the position detect port triggered by Timer 2 or in software. For the case of ordinary mode, when the status of the position detect input port matches the expected value (MDOUT<PDEXP> of the PMD Output Register, the unit generates a position detect interrupt and finishes sampling, waiting for start of the next sampling.
- When unmatched detect mode is selected for position detection, the unit stores the sampled status of the position detect port in memory at the time it started sampling. When the port input status changes from that of sampling start, an interrupt is generated.
- In unmatched detect mode, the port status at sampling start can be read by (PDCRC<PDTCT>).
- When starting and stopping position detection synchronously with the timer, position detection is started by Timer 2 and position detection is stopped by Timer 3.
- Three sampling modes can be selected by (PDCRB<SPLMD>) 2bit: mode where sampling is performed only while PWM is on, mode where sensors such as Hall elements are sampled regularly, and mode where sampling is performed while the lower side turn on current (when performing sampling only while PWM is on, 3 phase DUTY must be set for all three phases in common).
- In case of sampling mode while the lower phases turn on current, sampling is performed for a period from when the set sampling delay time has elapsed after the lower side turn on current till when the current application is turned off. Sampling is performed independently at each phase, and the sampling result is retained while sampling is off. If while sampling at some phase is off, the input and the expected value at other phase being sampled match, position is detected and a position detect interrupt is generated.

- A sampling delay is provided for use in modes where sampling is made while PWM is on or the lower phases turn on current. It helps to prevent erroneous detection due to noise that occurs immediately after the transistor turns on, by starting sampling a set time after the PWM signal turned on.
- When detecting position while PWM is on or the lower phases turn on current, following 2 method can be selected by .PDCRA<RCEN> i.e. whether to recount occurrences of matched position detection for each PWM on(e.g., starting from 0 in each PWM cycle) or counting occurrences of matching continuously (logical sum of several PWM cycle) .

19.3.2 Position Detection Circuit Register Functions

PDCRC

5, 4	EMEM	Hold result of position detection at PWM edge (Detect position detected position)	These bits hold the comparison result of position detection at falling or rising edge of PWM pulse. Bits 5 and 4 are set to 1 when position is detected at the falling and the rising edge, respectively. They show whether position is detected in the current PWM pulse, during PWM off, or in the immediately preceding PWM pulse.
3	SMON	Monitor sampling status	When read, this bit shows the sampling status.
2 to 0	PDTCT	Hold position signal input status	This bit holds the status of the position signal input at the time position detection started in unmatch mode.

PDCRB

7, 6	SPLCK	Sampling period	Select $fcgck/2$, $fcgck/2^2$, $fcgck/2^3$, or $fcgck/2^4$ for the position detection sampling period.
5, 4	SPLMD	Sampling mode	Select one of three modes: sampling only when PWM signal is active (when PWM is on), sampling regularly, or sampling when the lower side (X, Y, Z) phases are conducting current.
3 to 0	PDCMP	Sampling count	In ordinary mode, when the port status and the set expected value match and continuously match as many times as the sampling counts set, a position detection signal is output and an interrupt is generated. In unmatch detection mode, when the said status and value do not match and continuously unmatch as many times as the sampling counts set, a position detection signal is output and an interrupt is generated. Available number of settings are 1-15. When 0 is set, it is handled as 1.

PDCRA

7	SWSTP	Stop sampling in software	Sampling can be stopped in software by setting this bit to "1" (e.g., by writing to this register). Sampling is performed before stopping and when position detection results match, a position detection interrupt is generated, with sampling thereby stopped.
6	SWSTT	Start sampling in software	Sampling can be started by setting this bit to "1" (e.g., by writing to this register).
5	SPTM3	Stop sampling using Timer 3	Sampling can be stopped by a trigger from Timer 3 by setting this bit to "1". Sampling is performed before stopping and when position detection results match, a position detection interrupt is generated, with sampling thereby stopped.
4	STTM2	Start sampling using Timer 2	Sampling can be started by a trigger from Timer 2 by setting this bit to "1".
3	PDNUM	Number of position signal input pins	Select whether to use three pins (PDU/PDV/PDW) or one pin (PDU only) for position signal input. When one pin is selected, the expected values of PDV and PDW are ignored. When performing position detection with two pins or a pin other than PDU, position signal input can be masked as 0 by setting unused pin(s) for output.
2	RCEN	Recount occurrences of matching when PWM is on	By setting "1", the match count is Recounted for each PWM on. (when recounting occurrences of matching, the count is reset each time PWM turns off). When this bit is set to "0", occurrences of matching are counted continuously when PWM is on (counting is held when PWM is off).
1	DTMD	Position detection mode	Setting this bit to "0" selects ordinary mode where position is detected when the expected value set in the register and the port input unmatch and then match. Setting this bit to 1 selects unmatch detection mode where position is detected at the time the port status changes to another one from the status in which it was when sampling started.
0	PDCEN	Position detection function	The position detection function is activated by setting this bit to "1".

SDREG

7 to 0	SDREG	Sampling delay	Set a time for which to stop sampling in order to prevent erroneous detection due to noise that occurs immediately after PWM output turns on (immediately after the transistor turns on). (Figure 19-5)
--------	-------	----------------	---

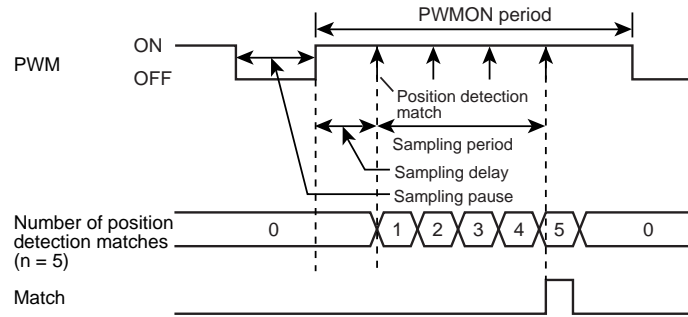


Figure 19-5 Position Detection Sampling Timing with the PWMON Period Selected

EMEM: Detects when a position detection match has occurred (the value is held after position detection).
 (Check on whether sampling has started on the previous pulse)

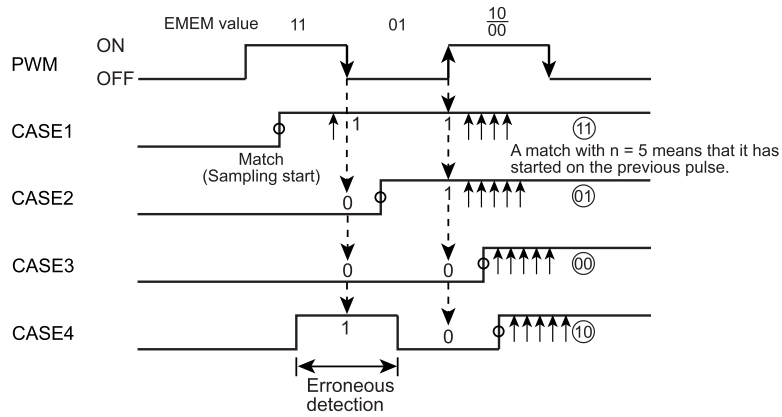
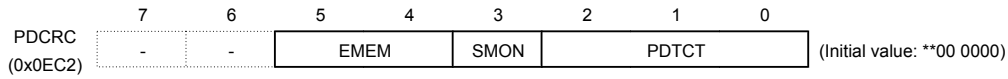
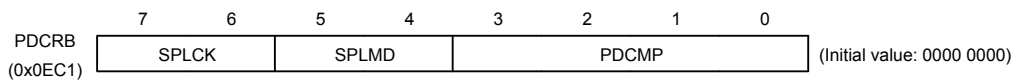


Figure 19-6 Detection Timing of the Position Detection Position

Position Detection Circuit Registers



5, 4	E MEM	Hold result of position detection at PWM edge (Detect position detected position)	00: Detected in the current pulse 01: Detected while PWM off 10: Detected in the current pulse 11: Detected in the preceding pulse	R
3	S MON	Monitor sampling status	0: Sampling idle 1: Sampling in progress	
2 to 0	P DTCT	Hold position signal input status	Holds the status of the position signal input during unmatched detection mode. Bits 2 to 0 correspond to W, V, and U phases.	



7, 6	S PLCK	Select sampling input clock	00: fcgck/2 [Hz] (250 ns at fcgck=8 MHz) 01: fcgck/2 ² (0.5 us at fcgck=8 MHz) 10: fcgck/2 ³ (1.0 us at fcgck=8 MHz) 11: fcgck/2 ⁴ (2.0 μs at fcgck=8 MHz)	R/W
5, 4	S PLMD	Sampling mode	00: Sample when PWM is on 01: Sample regularly 10: Sample when lower phases conducting current 11: Reserved	
3 to 0	P DCMP	Position detection matched counts	1 to 15 times (Counts 0 and 1 are assumed to be one time.)	

Note: When changing setting, keep the PDCRA<PDCEN> bit reset to "0" (disable position detect function).



	7	6	5	4	3	2	1	0	
PDCRA (0x0EC0)	SWSTP	SWSTT	SPTM3	STTM2	PDNUM	RCEN	DTMD	PDCEN	(Initial value: 0000 0000)

7	SWSTP	Stop sampling in software	0: No operation 1: Stop sampling	W
6	SWSTT	Start sampling in software	0: No operation 1: Start sampling	
5	SPTM3	Stop sampling using Timer 3	0: Disable 1: Enable	R/W
4	STTM2	Start sampling using Timer 2	0: Disable 1: Enable	
3	PDNUM	Number of position signal input pins	0: Compare three pins (PDU/PDV/PDW) 1: Compare one pin (PDU) only	
2	RCEN	Recount occurrences of matching when PWM is on	0: Continue counting from previously PWM on 1: Recount each time PWM turns on	
1	DTMD	Position detection mode	0: Ordinary mode 1: Unmatch detection mode	
0	PDCEN	Enable/Disable position detection function	0: Disable 1: Enable (Sampling starts)	

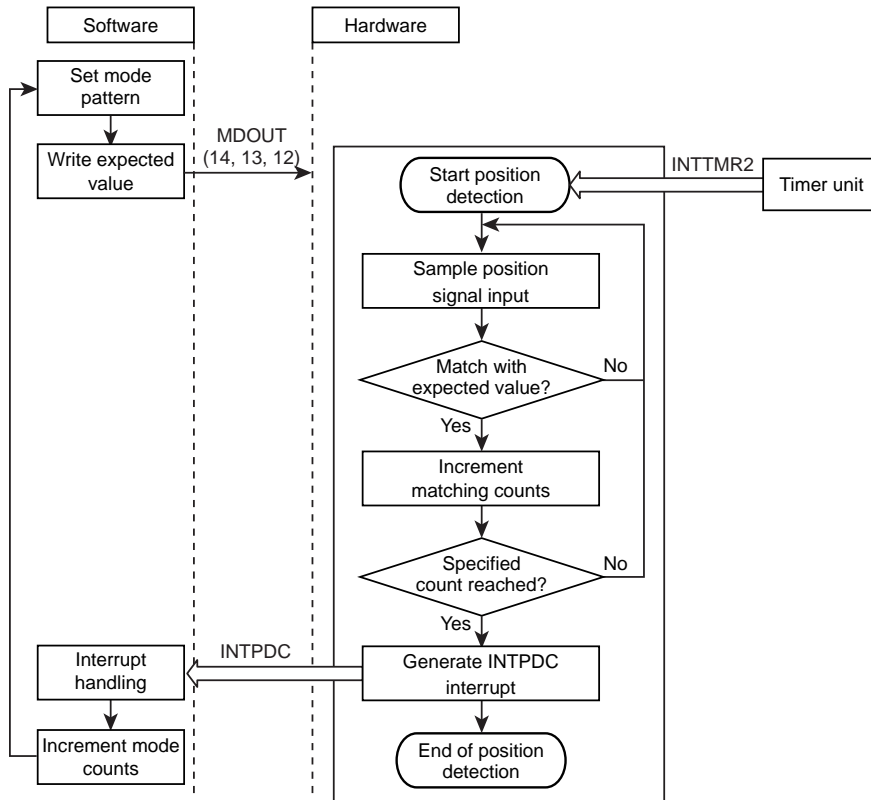
Note: Read-modify-write instructions, such as a bit manipulation instruction, cannot access the PDCRA because it contains a write only bit.

	7	6	5	4	3	2	1	0	
SDREG (0x0EC3)	D7	D6	D5	D4	D3	D2	D1	D0	(Initial value: 0000 0000)

7 to 0	SDREG	Sampling delay	$SDREG \times 2/f_{cgck}$ (resolution 250 ns at $f_{cgck} = 8$ MHz)	R/W
--------	-------	----------------	---	-----

Note: When changing setting, keep the PDCEN bit reset to "0" (disable position detection function).

19.3.3 Outline Processing in the Position Detection Unit



19.4 Timer Unit

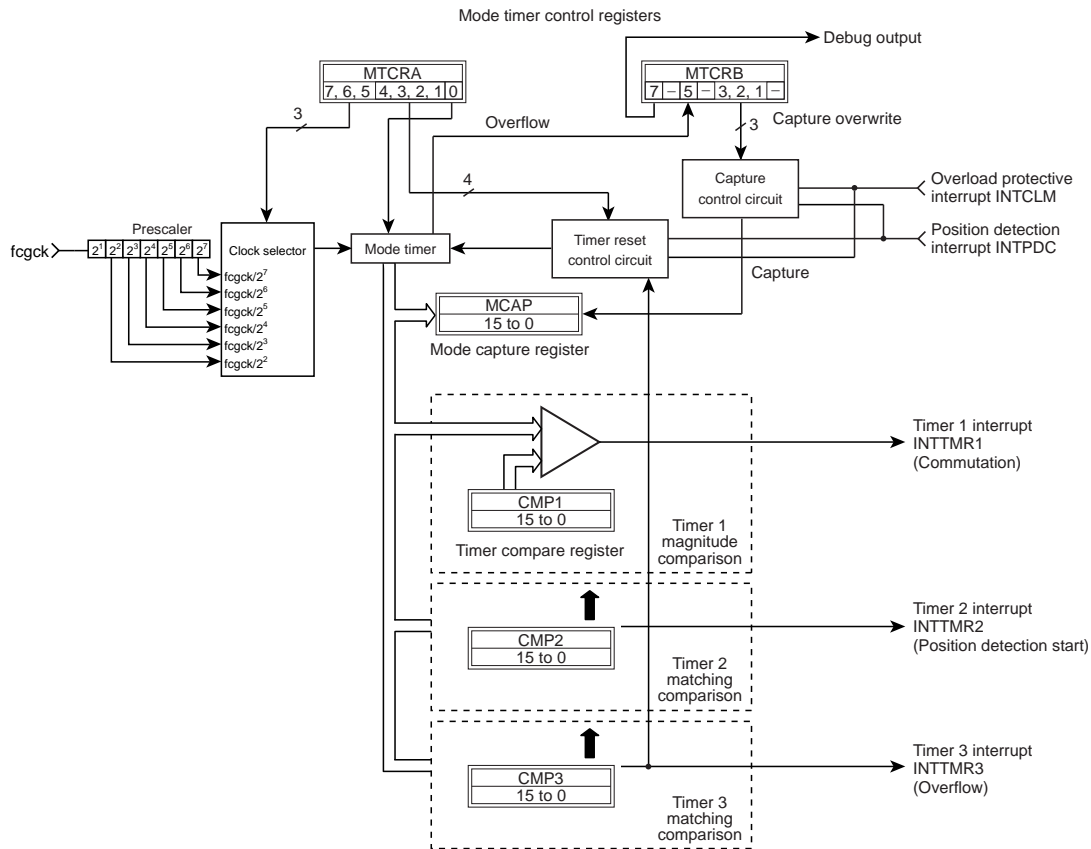


Figure 19-7 Timer Circuit Configuration

The timer unit has an up counter (mode timer) which is cleared by a position detection interrupt (INTPDC). Using this counter, it can generate three types of timer interrupts (INTTMR1 to 3). These timer interrupts can be used to produce a commutation trigger, position detection start trigger, etc. Also, the mode timer has a capture function which automatically captures register data in synchronism with position detection or overload protection. This capture function allows motor revolutions to be calculated by measuring position detection intervals.

19.4.1 Configuration of the Timer Unit

The timer unit consists mainly of a mode timer, three timer comparator, and mode capture register, and is controlled by timer control registers (MTCRA, MTCRB) and timer compare registers (CMP1, CMP2, CMP3).

- The mode timer can be reset by a signal from the position detection circuit, Timer 3, or overload protective circuit. If the mode timer overflows without being reset, it stops at 0xFFFF and sets an overflow flag in (MTCRB<TMOF>).
- The mode timer value during counting can be read by capturing the count value by (MTCRB<SWCP>) bit set in software and reading the capture register (MCAP).
- Timer 1 generate an interrupt signal by magnitude comparison and Timers 2 , 3 by matching comparison, respectively. Therefore, Timer 1 can generate an interrupt signal even when it could not write to the compare register in time and the counter value at the time of writing happens to exceed the register's set value.
- Timers 1 to 3 interrupt request (INTTMR1 to 3) are not continuously generated, because those signal inhibit next interrupt request generation. To enable the next interrupts, it is necessary to write a new value to the registers (CMP1,CMP2,CMP3).
- When capturing by position detection is enabled (MTCRB<PDCCP>="1") , the capture register (MCAP) has the timer value captured each position detect cycle. In this way, the capture register always holds the latest value.

19.4.1.1 Timer Circuit Register Functions

MTCRB

7	DBOUT	Debug output	Debug output can be produced by setting this bit to 1. Because interrupt signals to the interrupt control circuit are used for each interrupt, hardware debugging without software delays are possible. See the debug output diagram (Figure 19-8). Output ports: P80.
5	TMOF	Mode timer overflow	This bit shows that the timer has overflowed.
3	CLCP	Capture mode timer by overload protection	When this bit is set to "1", the timer value can be captured using the overload protection signal (CL) as a trigger.
2	SWCP	Capture mode timer in software	When this bit is set to "1", the timer value can be captured in software (e.g., by writing to this register).
1	PDCCP	Capture mode timer by position detection	When this bit is set to "1", the timer value can be captured using the position detection signal as a trigger.

MTCRA

7, 6, 5	TMCK	Select clock	Select the timer clock.
4	RBTM3	Reset mode timer from Timer 3	When this bit is set to "1", the mode timer is reset by a trigger from Timer 3.
3	RBCL	Reset mode timer by overload protection	When this bit is set to "1", the mode timer is reset by the overload protection signal (CL) as a trigger.
2	SWRES	Reset mode timer in software	When this bit is set to "1", the mode timer is reset in software (e.g., by writing to this register)
1	RBPDC	Reset mode timer by position detection	When this bit is set to "1", the mode timer is reset by the position detection signal as a trigger.
0	TMEN	Enable/disable mode timer	The mode timer is started by setting this bit to "1". Therefore, Timers 1 to 3 must be set with CMP before setting this bit. If this bit is set to 0 after setting CMP, CMP settings become ineffective.

MCAP	Mode capture	Position detection interval can be read out.
------	--------------	--

CMP1	Timer 1 (commutation)	Timers 1 to 3 are enabled while the mode timer is operating. An interrupt can be generated once by setting the corresponding bit in this register. The interrupt is disable when an interrupt is generated or the timer is reset. To use the timer again, set the register back again even if data is same.
CMP2	Timer 2 (position detection start)	
CMP3	Timer 3 (overflow)	

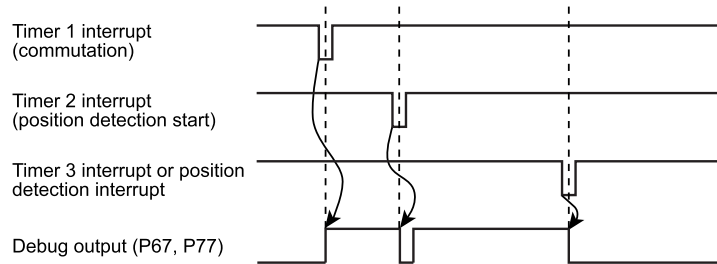
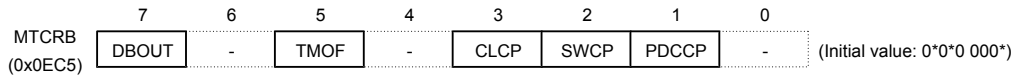


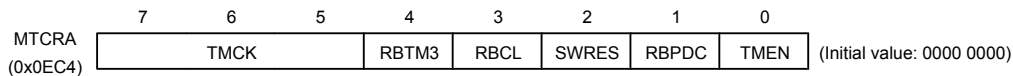
Figure 19-8 DBOUT Debug Output Diagram

Timer Circuit Registers



7	DBOUT	Debug output	0: Disable 1: Enable (P80)	R/W
5	TMOF	Mode timer overflow	0: No overflow 1: Overflowed	R
3	CLCP	Capture mode timer by overload protection	0: Disable 1: Enable	R/W
2	SWCP	Capture mode timer in software	0: No operation 1: Capture	W
1	PDCCP	Capture mode timer by position detection	0: Disable 1: Enable	R/W

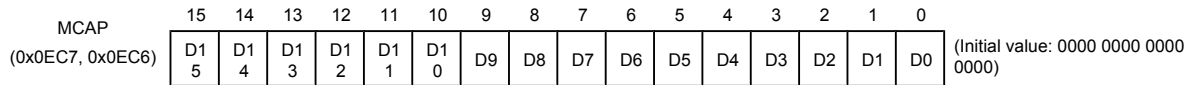
Note: Read-modify-write instructions, such as a bit manipulation instruction, cannot access the MTCRB because it contains a write-only bit.



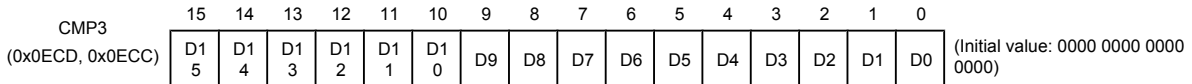
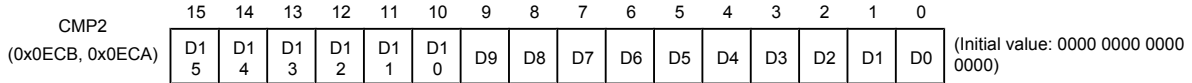
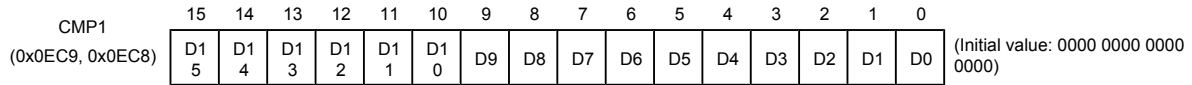
7, 6, 5	TMCK	Select clock	000: fcgck/2 ² (resolution 0.5 us at fcgck = 8 MHz) 010: fcgck/2 ³ (resolution 1 us at fcgck = 8 MHz) 100: fcgck/2 ⁴ (resolution 2 us at fcgck = 8 MHz) 110: fcgck/2 ⁵ (resolution 4 us at fcgck = 8 MHz) 001: fcgck/2 ⁶ (resolution 8 us at fcgck = 8 MHz) 011: fcgck/2 ⁷ (resolution 16 us at fcgck = 8 MHz) 101: Reserved 111: Reserved	R/W
4	RBTM3	Reset mode timer from Timer 3	0: Disable 1: Enable	R/W
3	RBCL	Reset mode timer by overload protection	0: Disable 1: Enable	
2	SWRES	Reset mode timer in software	0: No operation 1: Reset	W
1	RBPDC	Reset mode timer by position detection	0: Disable 1: Enable	R/W
0	TMEN	Enable/disable mode timer	0: Disable 1: Enable timer start	

Note 1: When changing MTCRA<TMCK> setting, keep the MTCRA<TMEN> bit reset to "0" (disable mode timer).

Note 2: Read-modify-write instructions, such as a bit manipulation instruction, cannot access the MTCRA because it contains a write-only bit.

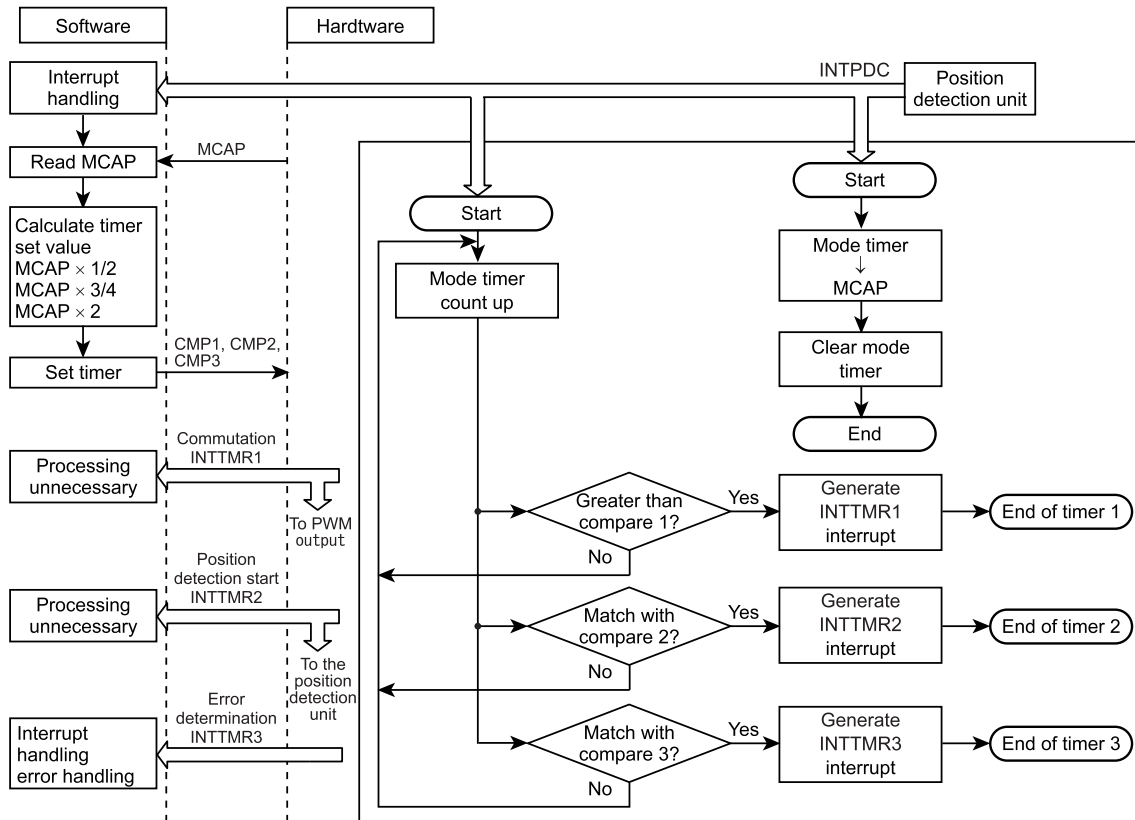


15 to 0	MCAP	Mode capture	Position detection interval	R
---------	------	--------------	-----------------------------	---



15 to 0	CMP1	Timer 1	Magnitude comparison compare register	R/W
15 to 0	CMP2	Timer 2	Matching comparison compare register	
15 to 0	CMP3	Timer 3	Matching comparison compare register	

19.4.1.2 Outline Processing in the Timer Unit



19.5 Three-phase PWM Output Unit

The Three-phase PWM Output Unit has the function to generate three-phase PWM waves with any desired pulse width and the commutation function capable of brushless DC motor control. In addition, it has the protective functions such as overload protection and emergency stop functions necessary to protect the power drive unit, and the dead time adding function to prevent the same phase upper/lower transistors getting shorted by simultaneous turn-on when switching change.

In case of three phase PWM wave form output to pins (U,V,W,X,Y,Z), MDCRA<PWMEN>bit must be enabled after setting the port registers and initial setting of MDCRA other bits..

19.5.1 Configuration of the three-phase PWM output unit

The three-phase PWM output unit consists of a pulse width modulation circuit, commutation control circuit, protective circuit (emergency stop and overload), and a dead time control circuit.

19.5.1.1 Pulse width modulation circuit (PWM waveform generating unit)

This circuit produces three-phase independent PWM waveforms with an equal PWM frequency. For PWM waveform mode, triangular wave modulation or sawtooth wave modulation can be selected by using the PMD Control Register (MDCRA<PWMMD>). The PWM frequency is set by using the PMD Period Register (MDPRD). The following shows the relationship between the value of this register and the PWM counter clock set by (MDCRB<PWMCK>).

$$\text{Sawtooth wave PWM: MDPRD Register set value} = \frac{1}{\text{PWM frequency [Hz]} \times \text{PWMCK}}$$

$$\text{Triangular wave PWM: MDPRD Register set value} = \frac{1}{\text{PWM frequency [Hz]} \times 2 \times \text{PWMCK}}$$

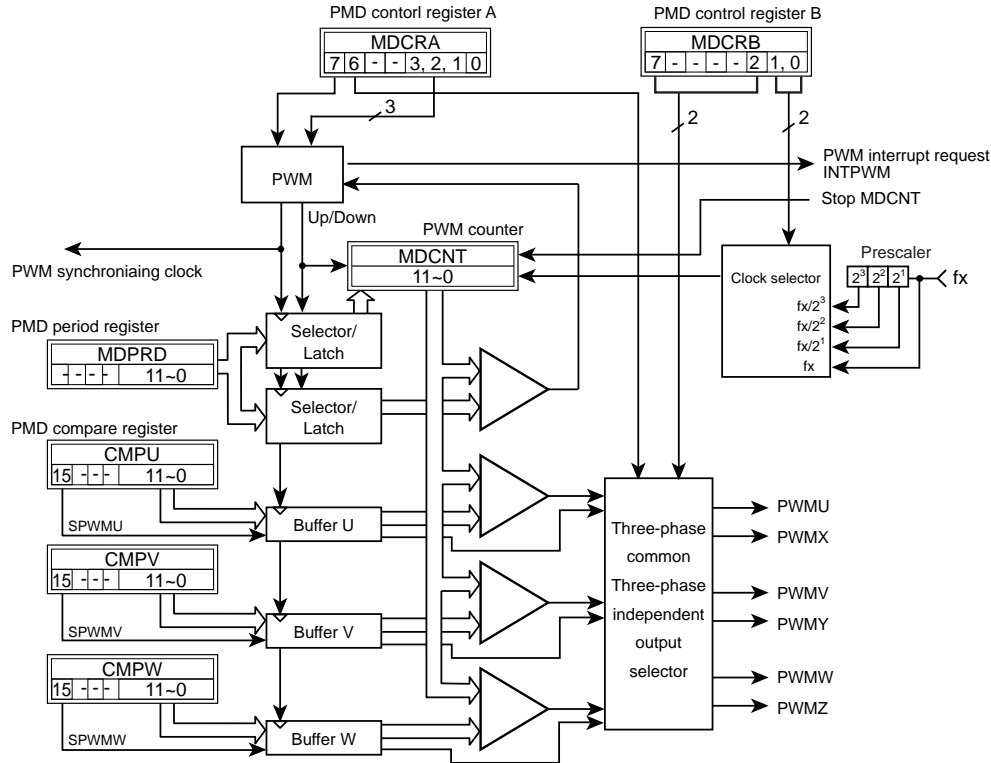


Figure 19-9 Pulse Width Modulation Circuit

The PMD Period Register (MDPRD) and CMPU, V, W Registers are comprised of dual-buffers, so that CMPU, V, W Register is updated with PWM period.

When the waveform arithmetic circuit is operating, the PWM waveform output unit receives calculation results from the waveform arithmetic circuit and by using the results as CMPU, V, W Register set value, it outputs independent three-phase PWM waveforms. When the waveform calculation function is enabled and transfer of calculation results into the CMPU to W Registers is enabled (EDCRA<RWREN>="1"), the CMPU to W Registers are disabled against writing.

When the waveform calculation function is enabled (EDCRA<CALC>="1") and transfer of calculation results into the CMPU, V, W Registers is disabled (EDCRA<RWREN>="0"), the calculation results are transferred to the CMPU, V, W Registers, but are not transferred to the buffer of CMPU, V, W Registers.

Read-accessing the CMPU, V, and W registers can read the calculation results of the waveform arithmetic circuit that have been input to a buffer. After changing the read calculation result data by software, writing the changed data to the CMPU, V, and W registers enables an arbitrary waveform other than a sine wave to be output. When the registers are read after writing, the values written to the registers are read out until the calculation results are transferred after calculation is finished.

Table 19-3 Relationship between Compare Register Functions and Waveform Arithmetic Circuit

Waveform Arithmetic Circuit EDCRA Register		Compare Register Access	
<CALCEN>	<RWREN>	Write	Read
0	0	Writing data by software	Reading register value
0	1		
1	0		
1	1	Writing calculation results from calculation circuit	Reading calculation results

Note: One of the upper or lower transistors is PMD control.

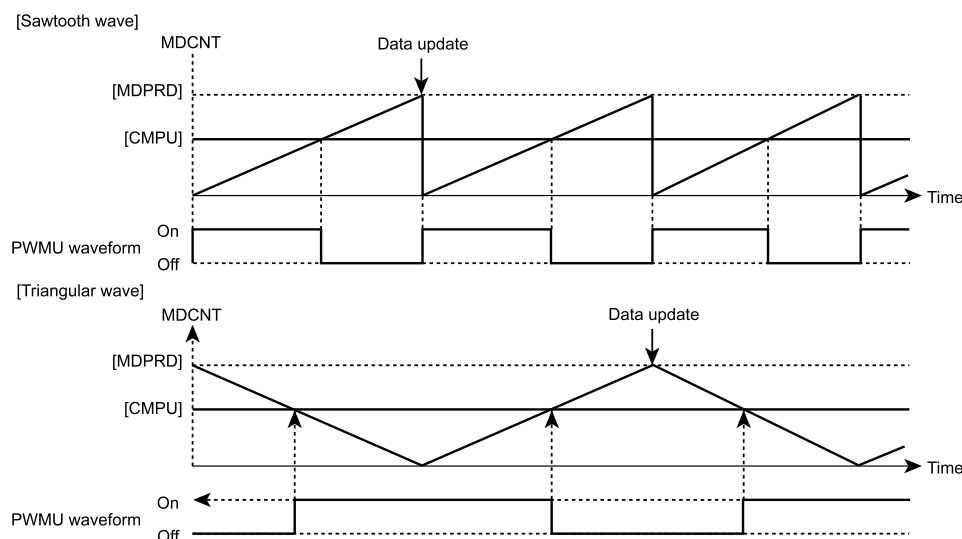


Figure 19-10 PWM Waveforms

In order to produce PWM wave form, the PWM Compare Registers (CMPU/V/W) values and the carrier wave generated by the PWM Counter (MDCNT) are compared for the relative magnitude by the comparator.

The PWM Counter is a 12-bit up/down counter with a 41.7 ns (at $f_x = 24$ MHz) resolution.

For three-phase output control, two methods of generating three-phase PWM waveforms can be set.

1. Three-phase independent mode:

Values are set independently in the three-phase PMD Compare Registers to produce three-phase independent PWM waveforms. This method may be used to produce sine or any other desired drive waveforms.

2. Three-phase common mode:

A value is set only in the U-phase PMD Compare Register to produce three in-phase PWM waveforms. This method may be used for DC brush less motor square wave drive.

The three-phase PMD Compare Registers each have a comparison register to comprise a dual-buffer structure. The values of the PMD Compare Registers are loaded into buffer U, V, W synchronized with PWM period.

19.5.1.2 Commutation control circuit

Output ports are controlled based on the contents set in the PMD Output Register (MDOUT). The contents set in this register are divided into two, one for selecting the synchronizing signal (MDOUT<SYNCS>) for port output, and one for setting up port output. The synchronizing signal can be selected from Timers 1 or 2, position detection signal, or without sync. Port output can be synchronized further to the PWM signal sync (MDOUT<PSYNC>) with this synchronizing signal. The MDOUT Register's synchronizing signal select bit becomes effective immediately after writing. Other bits are dual-buffered, and are updated by the selected synchronizing signal (MDOUT<PSYNC>, <SYNCS> bit 11,7,6).

High side and Low side of 3 phase 6 output ports can be set active high or active low independently by using (MDCRA<POLH>, <POLL>). Furthermore, the U, V, and W phases can individually be selected either PWM output or H/L output by using (MDOUT<UPWM,VPWM,WPWM>, <UOC,VOC,WOC>). When PWM output is selected, PWM waveforms are output; when H/L output is selected, a waveform which is fixed high or low is output. (MDOUT<PDEXP>) 3bits set the expected position signal value for the position detection circuit.

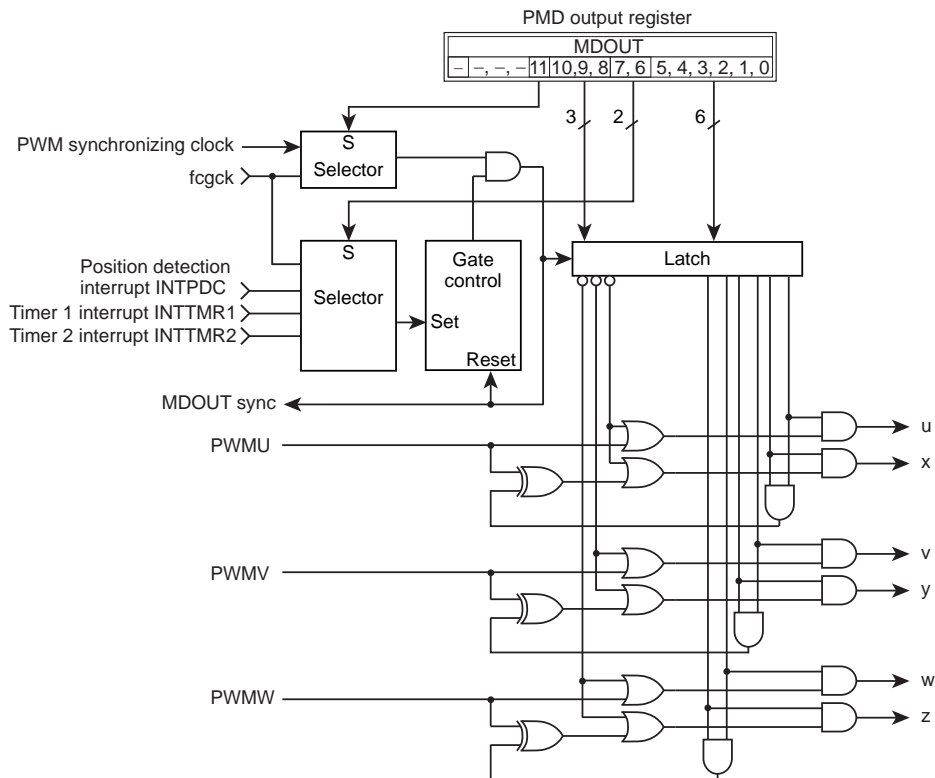


Figure 19-11 Commutation Control Circuit

Example: Commutation timing for Timer 1 and PWM synchronization

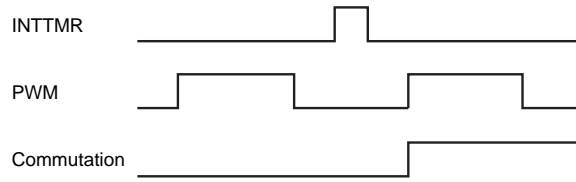


Figure 19-12 Commutation timing example for Timer 1 and PWM synchronization



19.5.1.3 Dead time circuit

Dead time circuit is a circuit to protect the shortage between the same phase High side and Low side power devices. Based on the value which is set in the dead time register (DTR), simultaneous On (short) for same phase high side and Low side power devices during switching is protected.

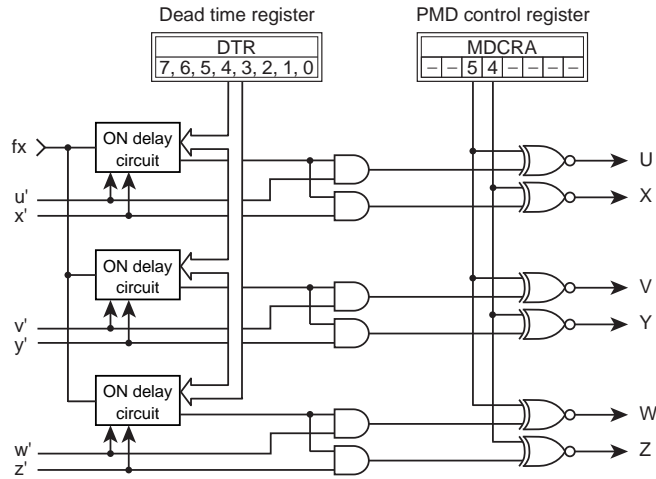


Figure 19-13 Dead Time Circuit

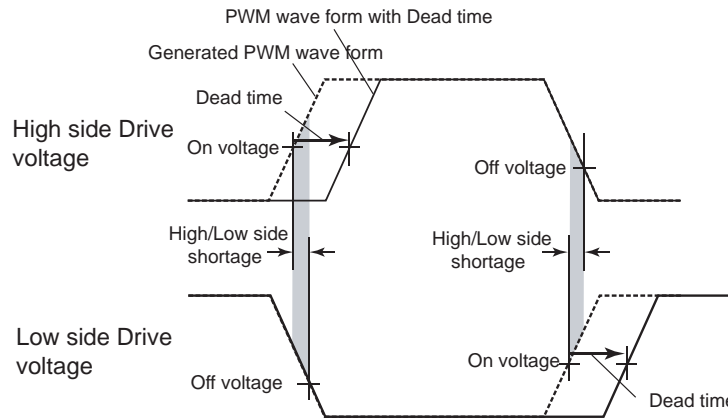


Figure 19-14 PWM waveform with Dead time

In case of the PWM duty close to 100% or 0% and PWM pulse width is smaller than the dead time period, PWM wave form changed to normal on or off state.

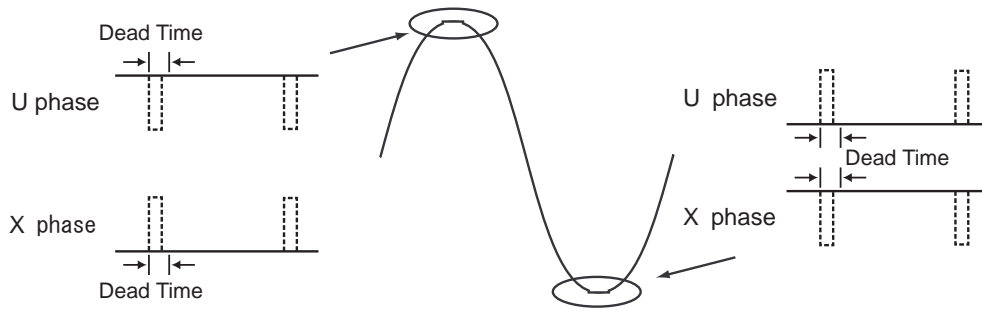


Figure 19-15 Change the shape of PWM waveform

In order to avoid these PWM wave form change, single side PWM (Non complimentary PWM) is used. In case of single side PWM (Non complimentary PWM), one side output PWM without dead time, and the other side output Low level or High level by setting MDCRB<SPWMEN> and CMPU<SPWMU>, CMPV<SPWMV>, CMPW<SPWMW>.

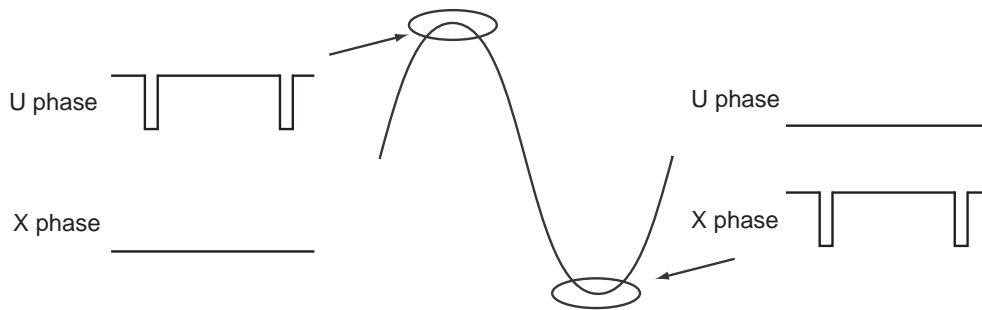


Figure 19-16 How to avoid PWM waveform change



19.5.2 Register Functions of the Waveform Synthesis Circuit

MDCRB

7	SPWMEN	Single side PWM generation enable	SPWMU,SPWV,SPWMW setting enable by select "1"
2	SYNTMD	Output synthetic mode	select 120 degree control mode or Complimentary PWM mode or Non complimentary PWM mode
1,0	PWMCK	Select PWM counter clock	select PWM counter clock

MDCRA

7	HLFINT	Select half-period interrupt	When this bit is set to 1, INTPWM is generated every half period (at triangular wave peak and valley) in the case of center PWM output and PINT = 00. In other cases, this setting has no meaning.
6	DTYMD	DUTY mode	Select whether to set the duty cycle independently for three phases using the CMPU to W Registers or in common for all three phases by setting the CMPU Register only.
5	POLH	Upper-phase port polarity	Select the upper-phase output port polarity. Make sure the waveform synthesis function (MDCRA<PWMEN>) is "0" before selecting this port polarity.
4	POLL	Lower-phase port polarity	Select the lower-phase output port polarity. Make sure the waveform synthesis function (MDCRA <PWMEN>) is "0" before selecting this port polarity.
3, 2	PINT	PWM interrupt frequency	Select the frequency at which to generate a PWM interrupt from four choices available: every PWM period or once every 2, 4, or 8 PWM periods. When setting of this bit is altered while operating, an interrupt may be generated at the time the bit is altered.
1	PWMMD	PWM mode	Select PWM mode. PWM mode 0 is an edge PWM (sawtooth wave), and PWM mode 1 is a center PWM (triangular wave).
0	PWMEN	Enable/Disable waveform generation circuit	When enabling this bit (for waveform output), be sure to set the output port polarity and other bits of this register (other than MDCRA<PWMEN>) beforehand.

DTR

DTR	Dead time	Set the dead time between the upper-phase and lower-phase outputs.
-----	-----------	--

MDOUT

15	UPDWN	PWM counter flag	This bit indicates whether the PWM counter is counting up or down. When edge PWM (sawtooth wave) is selected, it is always set to 0.
14,13,12	PDEXP	Mode compare register	Set the data to be compared with the position detection input port. The comparison data is adopted as the expected value simultaneously when port output sync settings made with MDOUT<PSYNC> are reflected in the ports. (This is the expected position detect input value for the next MDOUT output value.)
11	PSYNC	Select PWM synchronization	Select whether or not to synchronize port output to PWM period after being synchronized to the synchronizing signal selected with <SYNCS>. If selected to be synchronized to PWM, output is kept waiting for the next PWM after being synchronized with <SYNCS>. Waveform settings are overwritten if new settings are written to the register during this time, and output is generated with those settings.
10 9 8	WPWM VPWM UPWM	Control UVW-phase PWM outputs	Set U, V, and W-phase port outputs. (See the Table 19-4)
7, 6	SYNCS	Select port output sync signal	Select the synchronizing signal with which to output UVW-phase settings to ports. The synchronizing signal can be selected from Timers 1 or 2, position detection, or asynchronous. Select asynchronous when the initial setting, otherwise the above setting isn't reflected immediately.
5, 4 3, 2 1, 0	WOC VOC UOC	Control UVW-phase outputs	Set U, V, and W-phase port outputs. (See the Table 19-4)

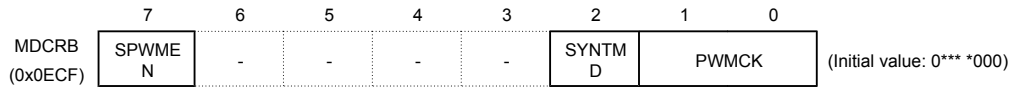
MDCNT	PWM counter	This is a 12-bit read-only register used to count PWM periods.
-------	-------------	--

MDPRD	Set PWM period	This register determines PWM period, and is dual-buffered, allowing PWM period to be altered even while the PWM counter is operating. The buffers are loaded every PWM period. When 41.6 ns is selected for the PWM counter clock, make sure the least significant bit is set to 0.
-------	----------------	---

CMPU CMPV CMPW	Set PWM pulse width	This comparison register determines the pulse widths output in the respective UVW phases. This register is dual-buffered, and the pulse widths are determined by comparing the buffer and PWM counter.
----------------------	---------------------	--

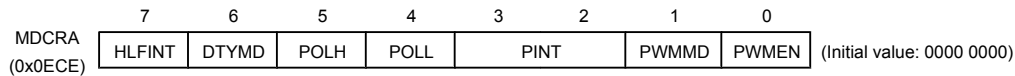
SPWMU SPWMV SPWMW	Set single phase PWM generation	In case of MDCRB<SPWMEN>="1", output single phase PWM. In this case, compare value more than or equal to 0x100 means "High side :PWM, Low side : L fix", less than 0x100 means "High side: L fix, Low side:PWM".
-------------------------	---------------------------------	--

Waveform Synthesis Circuit Registers

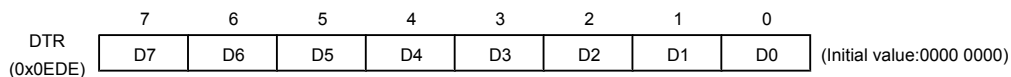


7	SPWMEN	Single side PWM generation enable	0: disable single side PWM 1: enable single side PWM	R/W
2	SYNTMD	Output synthetic mode	0: 120 degree control mode or complimentary PWM output mode 1: Non complimentary mode	R/W
1, 0	PWMCK	PWM counter Select clock	00: fx [Hz] (41.6ns at 24 MHz) 01: fx/2 (83.3 ns at 24 MHz) 10: fx/2 ² (167 ns at 24 MHz) 11: fx/2 ³ (333 ns at 24 MHz)	R/W

Note: When changing clock select setting, keep the PWMEN bit reset to "0" (disable wave form synthesis function).

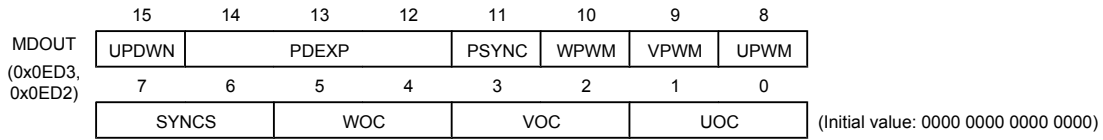


7	HLFINT	Select half-period interrupt	0: Interrupt as specified in PINT 1: Interrupt every half period when PINT = 00	R/W
6	DTYMD	DUTY mode	0: U phase in common 1: Three phases independent	
5	POLH	Upper-phase port polarity	0: Active low 1: Active high	
4	POLL	Lower-phase port polarity	0: Active low 1: Active high	
3, 2	PINT	Select PWM interrupt (trigger)	00: Interrupt every period 01: Interrupt once every 2 periods 10: Interrupt once every 4 periods 11: Interrupt once every 8 periods	
1	PWMMMD	PWM mode	0: PWM mode0 (Edge: Sawtooth wave) 1: PWM mode1 (Center: Triangular wave)	
0	PWMEN	Enable/disable waveform synthesis function	0: Disable 1: Enable (Waveform output)	



7 to 0	DTR	Dead time	2/fx × DTR (resolution 83ns at 24 MHz)	R/W
--------	-----	-----------	--	-----

Note: When changing setting, keep the MDCRA<PWMEN> bit reset to "0" (disable wave form synthesis function).



15	UPDWN	PWM counter flag	0: Counting up 1: Counting down	R
14, 13, 12	PDEXP	Comparison register for position detection	bit 14: W-phase expected value bit 13: V-phase expected value bit 12: U-phase expected value	R/W
11	PSYNC	Select PWM synchronization	0: Asynchronous 1: Synchronized	
10	WPWM	W-phase PWM output	0: H/L level output 1: PWM waveform output	
9	VPWM	V-phase PWM output	0: H/L level output 1: PWM waveform output	
8	UPWM	U-phase PWM output	0: H/L level output 1: PWM waveform output	
7, 6	SYNCS	Select port output synchronizing signal	00: Asynchronous 01: Synchronized to position detection 10: Synchronized to Timer 1 11: Synchronized to Timer 2	
5, 4	WOC	Control W-phase output	See Table 19-4 and Table 19-5	
3, 2	VOC	Control V-phase output		
1, 0	UOC	Control U-phase output		

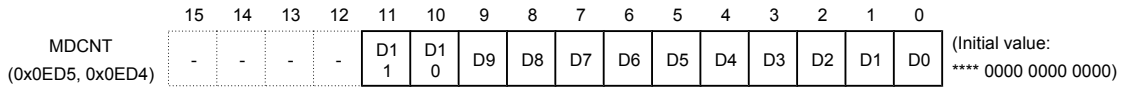
19.5.3 Port output as set with UOC/VOC/WOC bits and UPWM/VPWM/WPWM bits

Table 19-4 Example of Pin Output Settings(in case of <SYNTMD>="0")

U-phase output polarity: Active high (POLH,POLL = 1)					U-phase output polarity: Active low (POLH,POLL = 0)				
UOC	UPWM				UOC	UPWM			
	1: PWM output		0: H/L level output			1: PWM output		0: H/L level output	
	U phase	X phase	U phase	X phase		U phase	X phase	U phase	X phase
0 0	PWM	PWM	L	L	0 0	PWM	PWM	H	H
0 1	L	PWM	L	H	0 1	H	PWM	H	L
1 0	PWM	L	H	L	1 0	PWM	H	L	H
1 1	PWM	PWM	H	H	1 1	PWM	PWM	L	L

Table 19-5 Example of Pin Output Settings(in case of <SYNTMD>="1")

U-phase output polarity: Active high (POLH,POLL = 1)					U-phase output polarity: Active low (POLH,POLL = 0)				
UOC	UPWM				UOC	UPWM			
	1: PWM output		0: H/L level output			1: PWM output		0: H/L level output	
	U phase	X phase	U phase	X phase		U phase	X phase	U phase	X phase
0 0	PWM	PWM	L	L	0 0	PWM	PWM	H	H
0 1	L	PWM	L	H	0 1	H	PWM	H	L
1 0	PWM	L	H	L	1 0	PWM	H	L	H
1 1	PWM	PWM	H	H	1 1	PWM	PWM	L	L



11 to 0	PWM counter	PWM period counter value	R
---------	-------------	--------------------------	---

	15	14	13	12	11	10	9	8	7	6	5	4	3	2	1	0	(Initial value: **** 0000 0000 0000)
MDPRD (0x0ED7, 0x0ED6)	-	-	-	-	D1 1	D1 0	D9	D8	D7	D6	D5	D4	D3	D2	D1	D0	

11 to 0	PWM period	PWM period MDPDR ≥ 0x10	R/W
---------	------------	-------------------------	-----

	15	14	13	12	11	10	9	8	7	6	5	4	3	2	1	0	(Initial value: 0*** 0000 0000 0000)
CMPU (0x0ED9 0x0ED8)	SP W MU	-	-	-	D1 1	D1 0	D9	D8	D7	D6	D5	D4	D3	D2	D1	D0	

	15	14	13	12	11	10	9	8	7	6	5	4	3	2	1	0	(Initial value: 0*** 0000 0000 0000)
CMPV (0x0EDB, 0x0EDA)	SP W MV	-	-	-	D1 1	D1 0	D9	D8	D7	D6	D5	D4	D3	D2	D1	D0	

	15	14	13	12	11	10	9	8	7	6	5	4	3	2	1	0	(Initial value: 0*** 0000 0000 0000)
CMPW (0x0EDD, 0x0EDC)	SP W MW	-	-	-	D1 1	D1 0	D9	D8	D7	D6	D5	D4	D3	D2	D1	D0	

15	SPWMU	U phase PWM generation	0: complimentary PWM 1: single side PWM	R/W
	SPWMV	V phase PWM generation		R/W
	SPWMW	W phase PWM generation		R/W
11 to 0	CMPU	PWM compare U register	Set U-phase duty cycle	R/W
	CMPV	PWM compare V register	Set V-phase duty cycle	
	CMPW	PWM compare W register	Set W-phase duty cycle	

Note: <SPWMU,SPWMV,SPWMW> are available in case of MDCRB<SPWMEN>="1".

19.5.4 Protective Circuit

This circuit consists of an EMG protective circuit and overload protective circuit. These circuits are activated by driving their respective port inputs EMG \bar{I} , CL \bar{I} active.

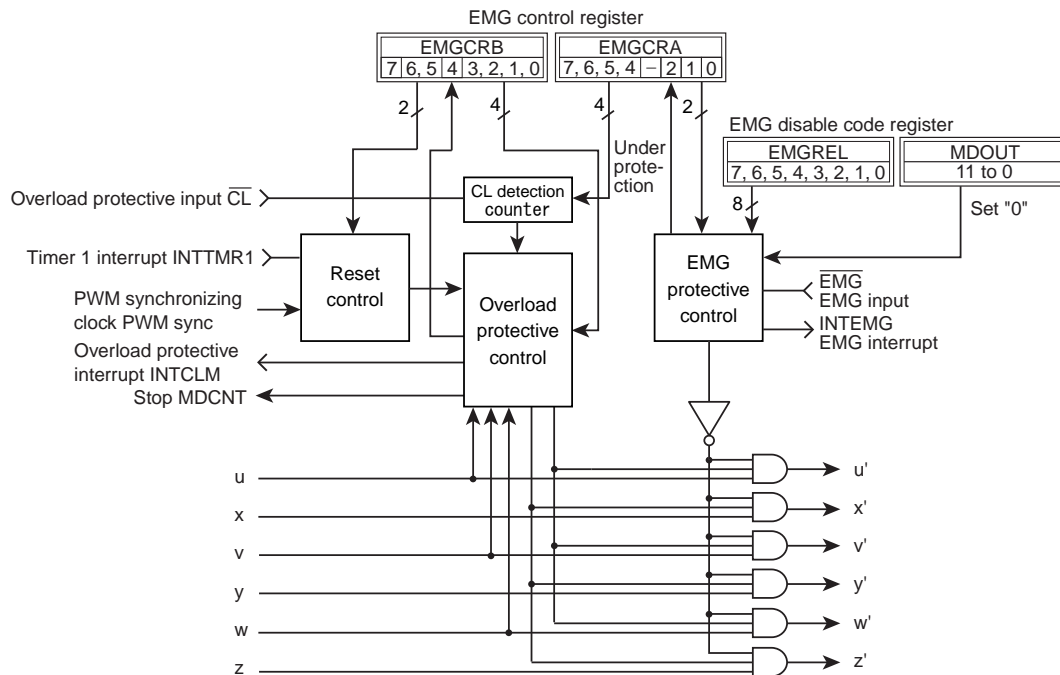


Figure 19-17 Configuration of the Protective Circuit

a. EMG protective circuit

This protective circuit is used for emergency stop, when the EMG protective circuit is enabled. When the signal on EMG \bar{I} input port goes active (negative edge triggered), the six ports are immediately disabled high-impedance against output and an EMG interrupt request (INTEMG) is generated. The EMG Control Register (EMGCRA) is used to set EMG protection. If the EMGCRA<EMGST> read value is "1", it means that the EMG protective circuit is operating. To return from the EMG protective state, reset the MDOUT Register bits 11 to 0 to "0" and then set the EMGCRA<RTE> to "1". Returning from the EMG protective state is effective when the EMG \bar{I} protective input pin has been released back to high level. To disable the EMG function, set data "0x5A" and "0xA5" sequentially in the EMG disable Register (EMGREL) and reset the EMGCRA<EMGEN> to "0". When the EMG function is disabled, EMG interrupts request (INTEMG) are not generated.

The EMG protective circuit is initially enabled. In case the usage with disabling it, it is needed to study carefully.

b. Overload protective circuit

The overload protective circuit is set by using the EMG Control Registers (EMGCRA/B). To activate overload protection, set the EMGCRB<CLEN> to "1" to enable the overload protective circuit. The circuit starts operation when the overload protective input CL \bar{I} is pulled low.

The return from overload state is made following three methods.

return by a timer (EMGCRB<RTTM1>), return by PWM sync (EMGCRB<RTPWM>), or return manually (EMGCRB<RTCL>). These methods are effective when the overload protective input CL \bar{I} has been released back to high level.

The number of overload protective input sampling times can be set by using the EMG-CRA<CLCNT>. The sampling times can be set in the range of 1 to 15 times at 250 ns period (when $f_{cgck} = 8 \text{ MHz}$). If a low level is detected as many times as the specified number, overload protection is assumed.

The output disabled phases during overload protection are set by using the EMGCRB<CLMD>. This facility allows selecting to disable no phases, all phases, PWM phases, or all upper phases/all lower phases. When selected to disable all upper phases/all lower phases, port output is determined by their turn-on status just before being disabled. When two or more upper phases are active, all upper phases are turned on and all lower phases are turned off; When two or more lower phases are active, all upper phases are turned off and all lower phases are turned on.

When output phase are cut off, output is inactive (low level in case of high active). When the overload protective circuit is disabled, overload protective interrupt request (INTCLM) are not generated.

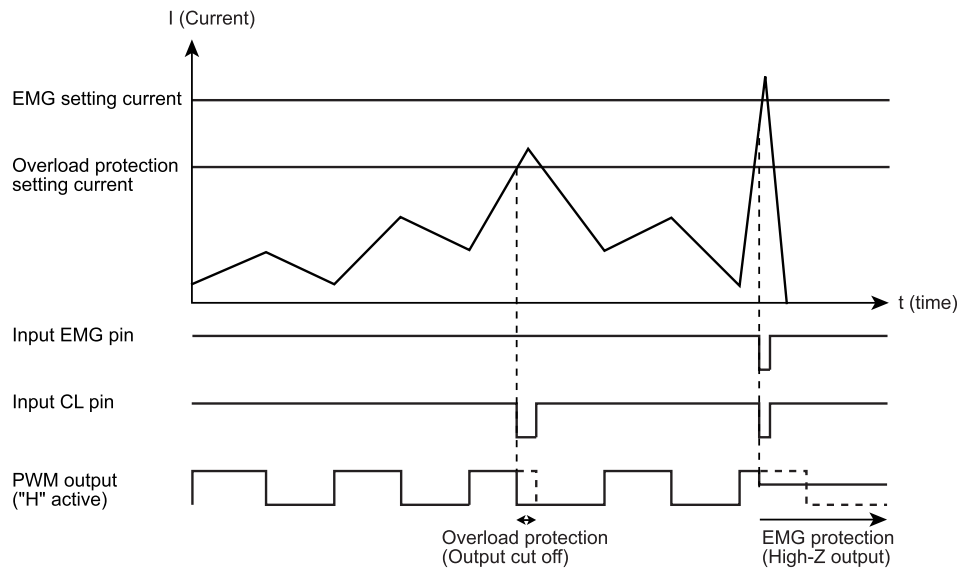


Figure 19-18 Example of Protection Circuit Operation



19.5.5 Functions of Protective Circuit Registers

EMGREL	EMG disable	The EMG protective circuit can be disabled from the enabled state by writing "0x5A" and "0xA5" to this register in that order. After that, the EMGCRA<EMGEN> bit needs to be cleared to disable EMG circuit..
--------	-------------	---

EMGCRB

7	RTCL	Return from overload protective state	When this bit is set to "1", the motor control circuit can return from overload protective state in software (e.g., by writing to this register).
6	RTPWM	Return by PWM sync	When this bit is set to "1," the motor control circuit can return from overload protective state by PWM sync. If <RTCL> is set to "1", <RTCL> has priority.
5	RTTM1	Return by timer sync	When this bit is set to 1, the motor control circuit is returned from overload protective state by Timer 1 sync. If <RTCL> is set to "1", <RTCL> has priority.
4	CLST	Overload protective state	The status of overload protection can be known by reading this bit.
3, 2	CLMD	Select output disabled phases during overload protection	Select the phases to be disabled against output during overload protection. This facility allows selecting to disable no phases, all phases, PWM phases, or all upper phases/all lower phases.
1	CNTST	Stop counter during overload protection	Can stop the PWM counter during overload protection.
0	CLEN	Enable/Disable overload protection	Enable or disable the overload protective function.

EMGCRA

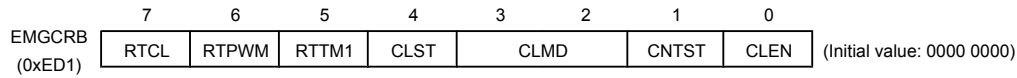
7 to 4	CLCNT	Overload protection sampling time	Set the length of time the overload protective input port is sampled.
2	EMGST	EMG protective state	The status of EMG protection can be known by reading this bit.
1	RTE	Return from EMG protective state	The motor control circuit is returned from EMG protective state by setting this bit to "1" . When returning, set the MDOUT Register 11 to 0 bits to "0" . Then set this EMGCRA<RTE> bit to "1" and set MDOUT output waveform. Then set up the MDCRA Register. <PWMEN>etc.
0	EMGEN	Enable/Disable EMG protective circuit	The EMG protective circuit is activated by setting this bit to "1". This circuit initially is enabled. (To disable this circuit, make sure key code "0x5A" and "0xA5" are written to the EMGREL Register beforehand.)

Protective Circuit Registers

	7	6	5	4	3	2	1	0	
EMGREL (0x0EDF)	D7	D6	D5	D4	D3	D2	D1	D0	(Initial value: 0000 0000)

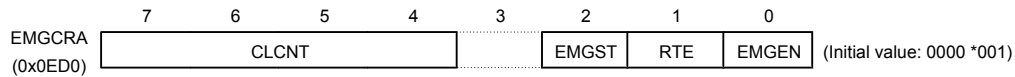
7 to 0	EMGREL	EMG disable	Can disable by writing 0x5A and then 0xA5.	W
--------	--------	-------------	--	---

Note: Read-modify-write instructions, such as a bit manipulation instruction, cannot access the EMGREL register because this register is write only.



7	RTCL	Return from overload protective state	0: No operation 1: Return from protective state	W
6	RTPWM	Enable/Disable return from overload protective state by PWM sync	0: Disable 1: Enable	R/W
5	RTTM1	Enable/Disable return from overload protective state by timer 1	0: Disable 1: Enable	
4	CLST	Overload protective state	0: No operation 1: Under protection	R
3, 2	CLMD	Select output disabled phases during overload protection	00: No phases disabled against output 01: All phases disabled against output 10: PWM phases disabled against output 11: All upper/All lower phases disabled against output (Note)	R/W
1	CNTST	Stop PWM counter during overload protection	0: Do not stop 1: Stop the counter	
0	CLEN	Enable/Disable overload protective circuit	0: Disable 1: Enable	

Note: If during overload protection the port output state in two or more upper phases is on, all lower phases are disabled and all upper phases are enabled for output; when two or more lower phases are on, all upper phases are disabled and all lower phases are enabled for output.



7 to 4	CLCNT	Overload protection sampling number of times.	1 to 15 (CLCNT x 2/fcgck, resolution 250ns at fcgck=8MHz) 0 and 1 are set as 1	R/W
2	EMGST	EMG protective state	0: No operation 1: Under protection	R
1	RTE	Return from EMG state	0: No operation 1: Return from protective state (Note 1)	W
0	EMGEN	Enable/Disable EMG protective circuit	0: Disable 1: Enable	R/W

Note 1: An instruction specifying a return from the EMG state is invalid if the $\overline{\text{EMG}}$ input is "L".

Note 2: Read-modify-write instructions, such as a bit manipulation instruction, cannot access the EMGCRB or EMGCRA register because these registers contain write-only bits.

19.6 Electrical Angle Timer and Waveform Arithmetic Circuit

Electrical Angle Timer

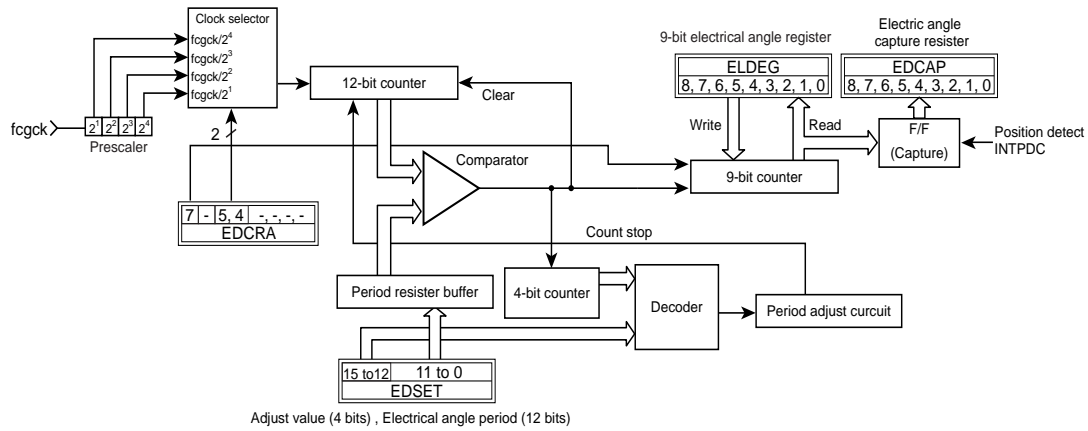


Figure 19-19 Electrical Angle Timer Circuit

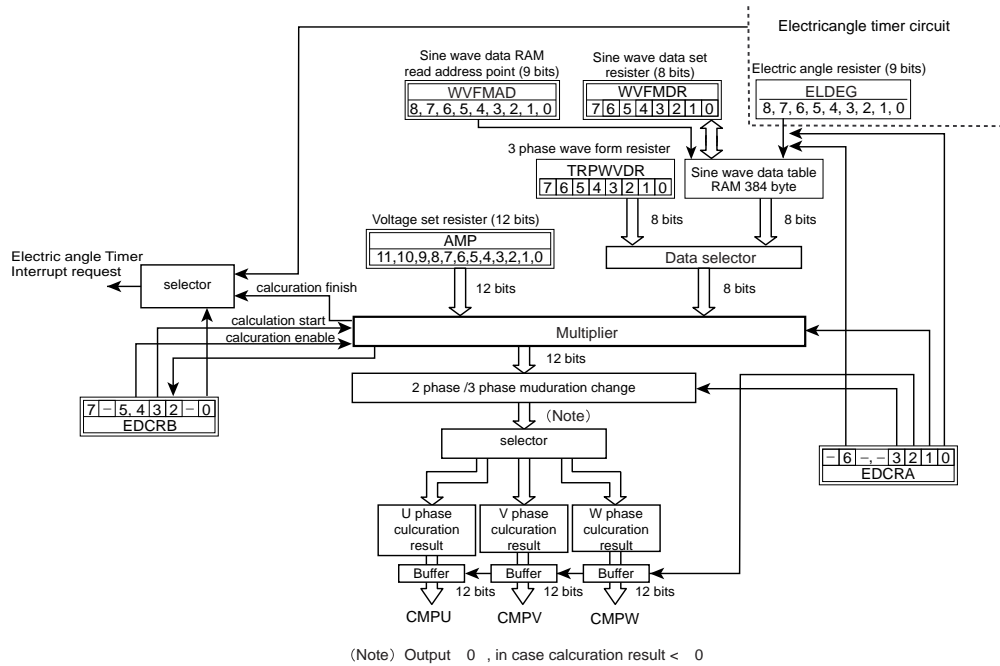


Figure 19-20 Waveform Arithmetic Circuit

19.6.1 Electrical Angle Timer and Waveform Arithmetic Circuit

The Electrical Angle Timer finishes counting upon reaching the value set by the Period Set Register (EDSET<EDT>). The Electrical Angle Timer counts 360 degrees of electrical angle in the range of 0 to 383 (0x17F) and is cleared to 0 upon reaching 383. In this way, it is possible to obtain the electrical angle of the frequency proportional to the value set by the Period Set Register. The period with which to count up can be corrected by using the Period Correction Register(EDSET<EDTH>), allowing for fine adjustment of the frequency. The electrical angles counted by the Electrical Angle Timer are provided to the Waveform Arithmetic Circuit. An electrical angle timer interrupt signal(INTEDT) is generated each time the Electrical Angle Timer finishes counting.

The Waveform Arithmetic Circuit has a sine wave data table (384 byte RAM) in it. After extracting the sine wave data addressed by the electrical angle data received from the Electrical Angle Timer, this sine wave data is multiplied by the value of the Voltage Amplitude Register. The Waveform Arithmetic Circuit is also able to use sine wave data in a Flash ROM, by writing to the 3 phase wave form data register (TRPWVDR) continuously.

For 2-phase modulation, the product obtained by this multiplication is provided to the waveform synthesis circuit. For 3-phase modulation, waveform data is further calculated based on the multiplication data and the electrical angle data and the value of the PWM Period Register.

The calculation is performed each time the Electrical Angle Timer finishes counting or when a value is set in the Electrical Angle Register (ELDEG) or 3 phase wave form data register (TRPWVDR) and the calculation results consisting of the U phase, the V phase (+/- 120 degrees), and the W phase (+/- 240 degrees) are sequentially provided to the PWM waveform output circuit. The sine wave data table is stored in the RAM and requires initialization.

- To correct the period, set the number of times 'n' to be corrected in the Period Correction Register (EDSET<EDTH>). The period is corrected by adding 1 to electrical angle counts 16 for 'n' times. For example, when a value "3" is set in the Period Correction Register, the period for 13 times out of electrical angle counts 16 is the value "m" set in the Period Set Register, and that for 3 times is "m + 1". (Correction is made almost at equal intervals.)
- Because the electrical angle counter (ELDEG) can be accessed even while the Electrical Angle Timer is operating, the electrical angles can be corrected during operation.
- In order to generate Trapezoidal wave form, i.e. to make 100% PWM duty wave form, the input value of Voltage amplitude register (AMP) is able to set more than that of PWM period register(MDPRD).
- The Electrical Angle Capture (EDCAP) captures the electrical angle value from the Electrical Angle Counter at the position detect timing.
- When the waveform calculation function is enabled(EDCRA<CALCEN>="1"), the calculation execution timing can be selected by the EDCRB<EVCALEN> from following three cases. each write timing to the electrical angle counter (ELDEG) or 3 phase wave form data register (TRPWVDR), or the Electrical Angle Timer finishes counting. In case of long electric angle period, more precise control can be done by software calculation and AMP value setting.
- The calculation execution time is 32 clock cycle for 2- phase, and 35 clock cycle for 3- phase , (1 clock = 125ns at fcgck =8MHz).
- When transfer of calculation result to the CMP Registers is enabled (EDCRA<RWREN>="1"), the calculation results are transferred to the CMPU to W Registers. (This applies only when the waveform calculation function is enabled with the EDCRA<CALCEN>.) The writing to CMPU to W Registers are disabled while the transfer remains enabled. The calculation results can be read from the CMPU to W Registers while the waveform calculation function remains enabled.
- The calculated results can be modified and the modified data can be set in the CMPU to W Registers in software. This makes it possible to output any desired waveform other than sine waves. If a transfer of the calculated results to the CMP register is disabled (EDCRA<RWREN>="0") , read-accessing the CMPU to W registers can read the calculated results. (Before read-accessing these registers, make sure that the calculation is completed.)
- To initialize the entire RAM data of the sine wave data table, set the addresses at which to set, sequentially from 0x000 to 0x17F, in the (ELDEG) Register, and write waveform data to the (WVFMDR) Register each time. Make sure the Waveform Arithmetic Circuit is disabled when writing this data.

Note 1: The value set in the Period Set Register (EDSET <EDT>) must be equal to or greater than 0x10. Any value smaller than this is assumed to be 0x10.

Note 2: The sine wave data that is read consists of the U phase, the V phase whose electrical angle is +/- 120 degrees relative to the U phase, and the W phase whose electrical angle is +/- 240 degrees relative to the U phase.

Note 3: If a period corresponding to an electrical angle of one degree is shorter than the required calculation time, the previously calculated results are used.

Note 4: The Voltage amplitude register setting(AMP) more than PWM period register value(MDPRD), . causes calculation result underflow. In this case, the calculation result become "0".

19.6.1.1 Functions of the Electrical Angle Timer and Waveform Arithmetic Circuit Registers

EDCRB

7	WVSEL	Wave form input select	Select the wave form input method to Waveform arithmetic circuit.
5,4	EVCALEN	calculation enable by event	Select the event which enable wave form calculation circuit.
3	CALCST	Start calculation by software	Forcefully start calculation. When this bit is written while the waveform arithmetic circuit is calculating, the calculation is terminated and then newly started.
2	CALCBSY	Calculation flag	By reading this bit, the operation status of the waveform arithmetic circuit can be obtained.
0	EDISEL	Electrical angle interrupt	Set the electrical angle interrupt signal request timing to either when the electrical angle timer finishes counting or upon end of calculation.

EDCRA

7	EDCNT	Electrical angle count up/down	Set whether the electrical angle timer counts up or down.
6	EDRV	Select V-, W-phase	Select phase direction of V-phase and W-phase in relation to U-phase.
5, 4	EDCK	Select clock	Select the clock for the electrical angle timer. This setting can be altered even while the electrical angle timer is operating.
3	C2PEN	Switch between 2-phase and 3-phase modulations	Select the modulation method with which to perform waveform calculation. Two-phase modulation: DATA = ramdata (ELDEG) × AMP Three-phase modulation: $DATA = \frac{MOPRD}{2} \pm \frac{ramdata(ELDEG) \times AMP}{2}$ Note: The ± sign during 3-phase modulation changes depending on the electrical angle. + for electrical angles 0 to 179 degrees (191) - for electrical angles 180 (192) to 360 (383) degrees
2	RWREN	Auto transfer calculation results to CPM registers	Enable/disable transfer of calculation results by the waveform arithmetic circuit. When the waveform calculation function is enabled while at the same time transfer is enabled, calculation results are set as U, V, and W-phase duty cycles of the PWM generation circuit and are reflected in the ports.
1	CALCEN	Enable/disable waveform calculation function	Enable/disable the waveform calculation function. Calculations are performed by the waveform arithmetic circuit by enabling the waveform calculation function. When the waveform calculation function is enabled, the calculated results can be read from the U, V, and W-phase compare registers (CMPU, V, W) of the PWM generation circuit.
0	EDTEN	Electrical angle timer	Enable/disable the electrical angle timer. When enabled, the electrical angle timer starts counting; when disabled, the electrical angle timer stops counting and is cleared to 0.

EDSET

15 to 12	EDTH	Correct electrical angle period	Correct the period by adding 1 to electrical angle counts 16 for "n" times. The timer counts the electrical angle period set value "m" for (16 - n) times and counts (m + 1) for "n" times
11 to 0	EDT	Electrical angle period	Set the electrical angle period.

ELDEG

8 to 0	ELDEG	Electrical angle	Read the electrical angle. This register can also be set to initialize or correct the angle while counting. Any value greater than 0x17F cannot be set.
--------	-------	------------------	---

AMP

11 to 0	AMP	Set voltage amplitude	Set the voltage amplitude. The waveform arithmetic circuit multiplies the data set here by the sine wave data read out from the sine wave RAM. The amplitude has its upper limit determined by the set value of the MDPRD register when performing this multiplication.
---------	-----	-----------------------	---

EDCAP

8 to 0	EDCAP	Capture electrical angle	Capture the value from the electrical angle timer when the position is detected.
--------	-------	--------------------------	--

WVFMDR

7 to 0	WVFMDR	Set sine wave data	To initialize the entire RAM data of the sine wave table, set the addresses at which to set, sequentially from 0x000 to 0x17F, in the ELDEG register, and write waveform data to the WVFMDR register each time. Make sure the waveform arithmetic circuit is disabled when writing this data.
--------	--------	--------------------	---

WVFMAD

8 to 0	WVFMAD	Sine waveform data RAM address	To read data in the sine waveform table (data RAM), write WVFMAD register to address value, and read WVFMDR register.
--------	--------	--------------------------------	---

WVFMDR

7 to 0	WVFMDR	Set sine waveform data Read sine waveform data	Write data to sine waveform table, or read data in sine waveform table. Write: Set the addresses at which to set, sequentially from 0x000 to 0x17F, in the ELDEG register, and write waveform data to the WVFMDR register each time. Make sure the waveform arithmetic circuit is disabled when writing this data. Read: Set the address value (0x000 to 0x17F) in the WVFMAD, and read WVFMDR register.
--------	--------	---	--

TRPWVDR

7 to 0	TRPWVDR	Set 3-phase waveform data	Set 3-phase waveform data, send it to the waveform arithmetic circuit. Continuously write U,V,W 3-phase waveform data in TRPWVDR register order.
--------	---------	---------------------------	--

Typical Settings of Sine Wave Data

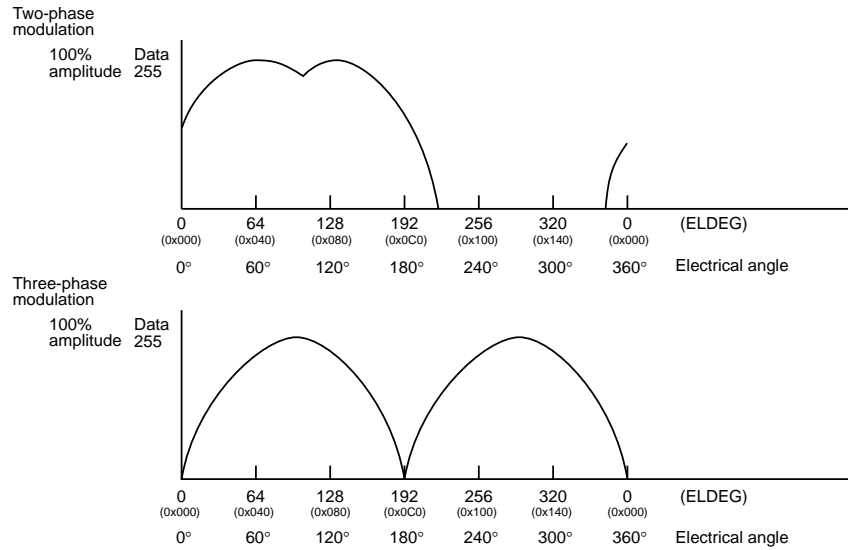
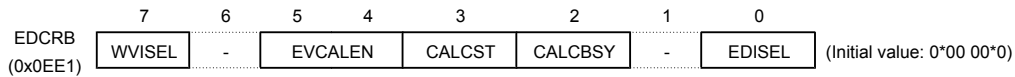


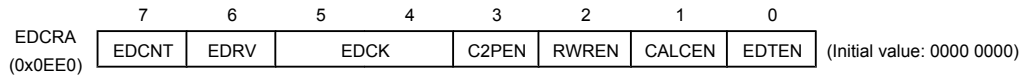
Figure 19-21 Typical Settings of Sine Wave Data

List of the Electrical Angle Timer and Waveform Arithmetic Circuit Registers



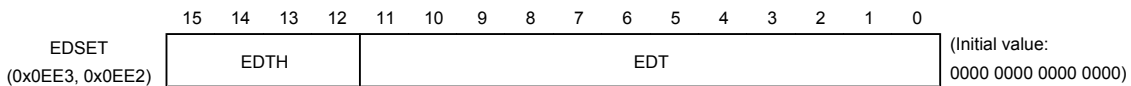
7	WVISEL	Wave form input select	0: select Sine wave data RAM 1: select 3 phase wave form register	R/W
5,4	EVCALEN	calculation enable by event	00: enable calculation synchronize with each electric angle 01: enable calculation synchronize with each PWM 10: enable calculation synchronize with each 3-phase waveform register writing 11: disable synchronize calculation.	
3	CALCST	Start calculation by software	0: No operation 1: Start calculation	W
2	CALCBSY	Calculation flag	0: Waveform Arithmetic Circuit stopped 1: Waveform Arithmetic Circuit calculating	R
0	EDISEL	Electrical angle interrupt	0: Interrupt when the Electrical Angle Timer finishes counting 1: Interrupt upon end of calculation	R/W

Note: Read-modify-write instructions, such as a bit manipulation instruction, cannot access the EDCRB register because this register is write only.



7	EDCNT	Electrical angle count up/down	0: Count up 1: Count down	R/W
6	EDRV	Select V-, W-phase	0: V = U + 120°, W = U + 240° 1: V = U - 120°, W = U - 240°	
5, 4	EDCK	Select clock	00: fcgck/2 (resolution 250 ns at fcgck=8 MHz) 01: fcgck/2 ² (resolution 0.5 us at fcgck=8 MHz) 10: fcgck/2 ³ (resolution 1.0 μs at fcgck=8 MHz) 11: fcgck/2 ⁴ (resolution 2.0 μs at fcgck=8 MHz)	
3	C2PEN	Switch between 2-/3-phase modulations	0: 2-phase modulation 1: 3-phase modulation	
2	RWREN	Transfer calculation result to CMP registers	0: Disable 1: Enable	
1	CALC	Enable/disable waveform calculation function	0: Disable 1: Enable	
0	EDTEN	Electrical angle Enable/disable mode timer	0: Disable 1: Enable	

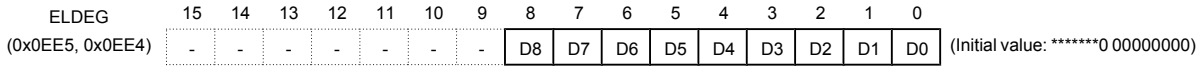
Note: When changing the EDCRA<EDCK> setting, keep the EDCRA<EDTEN> bit reset "0" (Disable electrical angle timer).



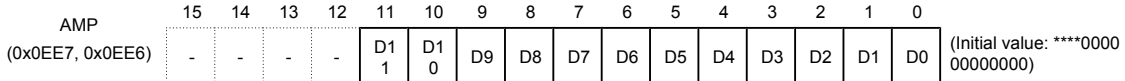
15 to 12	EDTH	Correct period (n)	0 to 15 times	R/W
11 to 0	EDT	Set period (m)	≥ 0x010	

One period of the Electrical Angle Timer, T, is expressed by the equation below.

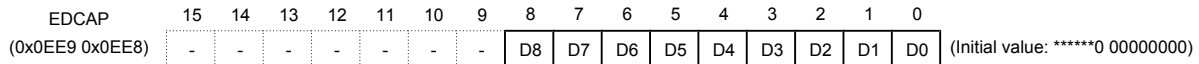
$$T = \left(m + \frac{n}{16} \right) \times 384 \times \text{set clock [s]} \quad \text{where } m = \text{set period, } n = \text{period correction}$$



8 to 0	ELDEG	Electrical angle	Set the Initially and the count values of electrical angle.	R/W
--------	-------	------------------	---	-----



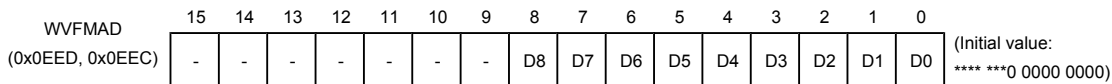
11 to 0	AMP	Set voltage	Set the voltage to be used during waveform calculation.	R/W
---------	-----	-------------	---	-----



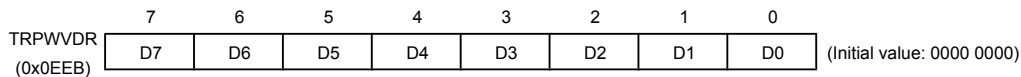
8 to 0	EDCAP	Captured value of electrical angle	Electrical angle timer value when position is detected.	R
--------	-------	------------------------------------	---	---



7 to 0	WVFMDR	Sine wave data	Write sine wave data to RAM of sine wave	R/W
--------	--------	----------------	--	-----



15 to 0	WVFMAD	Sine wave data RAM address	Write sine wave address to RAM of sine wave	R/W
---------	--------	----------------------------	---	-----



7 to 0	TRPWVDR	3-phase waveform data	Continuously write U,V,W-phase waveform data order.	R/W
--------	---------	-----------------------	---	-----

19.7 List of PMD Related Control Registers

19.7.1 Input/output Pins and Input/output Control Registers

PMD1 Input/Output Pins (P8, P9) and Port Input/Output Control Registers (P8CR, P9CR,P8FC)

Name	Address	Bit	R or W	Description
P8CR	0x0F22	7	R/W	EMG input ($\overline{\text{EMG1}}$) "0" input mode
		6 to 1	R/W	U1/V1/W1/X1/Y1/Z1 outputs. "1" : output mode
P9CR	0x0F23	3 to 1	R/W	Position signal inputs (PDU1, PDV1, PDW1). "0" : input mode
		0	R/W	Over load protection ($\overline{\text{CL1}}$) "0" : input mode
P8FC	0x0F3C	6 to 1	R/W	Output select "1" PMD select

Note: When using these pins as PMD output function, set the Output Latch (P*CR) to "1".

Example of the PMD Pin Port Setting

PMD function pin name		Input/Output	P8CR	P9CR	P8FC
U1 to Z1	P8<bit6:1>	Output	1	-	1
PDU1 to PDW1	P9<bit3:1>	Input	-	0	-
$\overline{\text{CL1}}$	P9<bit0>	Input	-	0	-
$\overline{\text{EMG1}}$	P8<bit7>	Input	0	-	-

19.7.2 Motor Control Circuit Control Registers

Position Detection Control Register (PDCR) and Sampling Delay Register (SDREG)

Name	Address	Bit	R or W	Description
PDCRC	0x0EC2	5, 4	R	Detect the position-detected position. 00: Within the current pulse 01: When PWM is off 10: Within the current pulse 11: Within the preceding pulse
		3	R	Monitor the sampling status. 0: Sampling idle 1: Sampling in progress
		2 to 0	R	Holds the status of the position signal input during unmatched detection mode. Bits 2, 1, and 0: W, V, and U phases
PDCRB	0x0EC1	7, 6	R/W	Select the sampling input clock [Hz]. 00: $fcgck/2$ 01: $fcgck/2^2$ 10: $fcgck/2^3$ 11: $fcgck/2^4$
		5, 4	R/W	Sampling mode. 00: When PWM is on 01: Regularly 10: When lower phases are turned on
		3 to 0	R/W	Detection position match counts 1 to 15.
PDCRA	0x0EC0	7	W	0: No operation 1: Stop sampling in software
		6	W	0: No operation 1: Start sampling in software
		5	R/W	Stop sampling using Timer 3. 0: Disable 1: Enable
		4	R/W	Start sampling using Timer 2. 0: Disable 1: Enable
		3	R/W	Number of position signal input pins. 0: Compare three pins (PDU/PDV/PDW) 1: Compare one pin (PDU) only
		2	R/W	Count occurrences of matching when PWM is on. 0: Subsequent to matching counts when PWM previously was on 1: Recount occurrences of matching each time PWM is on
		1	R/W	Position detection mode. 0: Ordinary mode 1: Unmatch detection mode
		0	R/W	Enable/Disable position detection function. 0: Disable 1: Enable (Sampling starts)
SDREG	0x0EC3	7 to 0	R/W	Sampling delay time. SDREG x 2/ $fcgck$ (resolution 250ns at $fcgck = 8$ MHz).

Mode Timer Control Register (MTCR), Mode Capture Register (MCAP), and Compare Registers (CMP1, CMP2, CMP3)

Name	Address	Bit	R or W	Description
MTCRB	0x0EC5	7	R/W	Debug output. 0: Disable 1: Enable (P80)
		5	R	Mode timer overflow. 0: No overflow 1: Overflowed occurred
		3	R/W	Capture mode timer by overload protection. 0: Disable 1: Enable
		2	W	Capture mode timer by software. 0: No operation 1: Capture
		1	R/W	Capture mode timer by position detection. 0: Disable 1: Enable
MTCRA	0x0EC4	7, 6, 5	R/W	Select clock for mode timer [Hz]. 000: $fcgck/2^2$ (0.5 μ s at $fcgck = 8$ MHz) 010: $fcgck/2^3$ (1 μ s at $fcgck = 8$ MHz) 100: $fcgck/2^4$ (2 μ s at $fcgck = 8$ MHz) 110: $fcgck/2^5$ (4 μ s at $fcgck = 8$ MHz) 001: $fcgck/2^6$ (8 μ s at $fcgck = 8$ MHz) 011: $fcgck/2^7$ (16 μ s at $fcgck = 8$ MHz) 101: Reserved 111: Reserved
		4	R/W	Reset timer by Timer 3. 0: Disable 1: Enable
		3	R/W	Reset timer by overload protection. 0: Disable 1: Enable
		2	W	Reset timer by software. 0: No operation 1: Reset
		1	R/W	Reset timer by position detection. 0: Disable 1: Enable
		0	R/W	Enable/Disable mode timer. 0: Disable 1: Enable (timer starts)
MCAP	0x0EC7, 0x0EC6	15 to 0	R	Mode capture register.
CMP1	0x0EC9, 0x0EC8	15 to 0	R/W	Compare Register 1.
CMP2	0x0ECB, 0x0ECA	15 to 0	R/W	Compare Register 2.
CMP3	0x0ECD, 0x0ECC	15 to 0	R/W	Compare Register 3.

PMD Control Register (MDCR), Dead Time Register (DTR), and PMD Output Register (MDOOUT)

Name	Address	Bit	R or W	Description
MDCRB	0x0ECF	7	R/W	Single side PWM generation enable. 0: disable 1: enable
		2	R/W	Output synthetic mode 0: 120 degree control mode or Complimentary PWM mode 1: Non complimentary PWM mode
		1, 0	R/W	Select clock for PWM counter. 00: fx (41.6 ns at fx=24 MHz) 01: fx/2 (83.3 ns at fx=24 MHz) 10: fx/2 ² (167 ns at fx=24 MHz) 11: fx/2 ³ (333 ns at fx=24 MHz)
MDCRA	0x0ECE	7	R/W	Select half-period interrupt 0: Interrupt every period as specified in PINT. 1: Interrupt every half-period only PINT=00.
		6	R/W	DUTY mode. 0: U phase in common 1: Three phases independent
		5	R/W	Upper-phase port polarity. 0: Active low 1: Active high
		4	R/W	Lower-phase port polarity. 0: Active low 1: Active high
		3, 2	R/W	Select PWM interrupt (trigger). 00: Interrupt once every period 01: Interrupt once 2 periods 10: Interrupt once 4 periods 11: Interrupt once 8 periods
		1	R/W	PWM mode. 0: PWM mode0 (edge: sawtooth wave) 1: PWM mode1 (center: triangular wave)
		0	R/W	Enable/disable waveform synthesis function. 0: Disable 1: Enable (waveform output)
DTR	0x0EDE	7 to 0	R/W	Set dead time. DTR × 2 / fx (resolution: 83 ns at fx = 24MHz)

Name	Address	Bit	R or W	Description
MDOUT	0x0ED3, 0x0ED2	15	R	0: Count up 1: Count down
		14,13,12	R/W	Comparison register for position detection. bit 14: W bit 13: V bit 12: U
		11	R/W	Select PWM synchronization. 0: Asynchronous with PWM period 1: Synchronized
		10	R/W	W-phase PWM output. 0: H/L level output 1: PWM waveform output
		9	R/W	V-phase PWM output. 0: H/L level output 1: PWM waveform output
		8	R/W	U-phase PWM output. 0: H/L level output 1: PWM waveform output
		7, 6	R/W	Select port output synchronizing signal. 00: Asynchronous 01: Synchronized to position detection 10: Synchronized to Timer 1 11: Synchronized to Timer 2
		5, 4	R/W	Control W-phase output
		3, 2	R/W	Control V-phase output
1, 0	R/W	Control U-phase output		

PWM Counter (MDCNT), PMD Period Register (MDPRD), and PMD Compare Registers (CMPU, CMPV, CMPW)

Name	Address	Bit	R or W	Description
MDCNT	0x0ED5, 0x0ED4	11 to 0	R	Read the PWM period counter value.
MDPRD	0x0ED7, 0x0ED6	11 to 0	R/W	PWM period MDPRD \geq 0x10.
CMPU	0x0ED9, 0x0ED8	15	R/W	U phase PWM generation 0: complimentary PWM 1: single side PWM.
		11 to 0	R/W	Set U-phase PWM duty cycle.
CMPV	0x0EDB 0x0EDA	15	R/W	V phase PWM generation 0: complimentary PWM 1: single side PWM.
		11 to 0	R/W	Set V-phase PWM duty cycle.
CMPW	0x0EDD, 0x0EDC	15	R/W	W phase PWM generation 0: complimentary PWM 1: single side PWM.
		11 to 0	R/W	Set W-phase PWM duty cycle.

EMG Disable Code Register (EMGREL) and EMG Control Register (EMGCR)

Name	Address	Bit	R or W	Description
EMGREL	0x0EDF	7 to 0	W	Code input for disable EMG protection circuit. Can be disable by writing 0x5A and then 0xA5.
EMGCRB	0x0ED1	7	W	Return from overload protective state. 0: No operation 1: Return from protective state
		6	R/W	Condition for returning from overload protective state: Synchronized to PWM. 0: Disable 1: Enable
		5	R/W	Enable/Disable return from overload protective state by timer 1. 0: Disable 1: Enable
		4	R	Overload protective state. 0: No operation 1: Under protection
		3, 2	R/W	Select output disabled phases during overload protection. 00: No phases disabled against output 01: All phases disabled against output 10: PWM phases disabled against output 11: All upper/All lower phases disabled against output
		1	R/W	Stop PWM counter (MDCNT) during overload protection. 0: Do not stop 1: Stop
		0	R/W	Enable/Disable overload protective circuit. 0: Disable 1: Enable

Name	Address	Bit	R or W	Description
EMGCRA	0x0ED0	7 to 4	R/W	Overload protection sampling time. 1 to 15 (CLCNT × 2/fcgck, resolution 250ns , at fcgck = 8 MHz)
		2	R	EMG protective state. 0: No operation 1: Under protection
		1	W	Return from EMG protective state. 0: No operation 1: Return from protective state
		0	R/W	Enable/Disable function of the EMG protective circuit. 0: Disable 1: Enable (This circuit initially is enabled (= 1). To disable this circuit, make sure key code 5AH and A5H are written to the EMGREL1 Register beforehand.)

Electrical Angle Control Register (EDCR), Electrical Angle Period Register (EDSET), Electrical Angle Set Register (ELDEG), Voltage Set Register (AMP), and Electrical Angle Capture Register (EDCAP), Sine wave data set register (WVFMADR)

Name	Address	Bit	R or W	Description
EDCRB	0x0EE1	7	R/W	Wave form input select 0: select Sine wave data RAM 1: select 3 phase wave form register
		5,4	R/W	calculation enable by event 00: enable calculation synchronize with each electric angle 01: enable calculation synchronize with each PWM 10: enable calculation synchronize with each 3-phase waveform register writing 11: disable synchronize calculation.
		3	W	0: No operation 1: Start calculation
		2	R	0: Waveform Arithmetic Circuit stopped 1: Waveform Arithmetic Circuit calculation
		0	R/W	0: Interrupt when the Electrical Angle Timer finishes counting 1: Interrupt upon end of calculation
		EDCRA	0x0EE0	7
6	R/W			0: $V = U + 120^\circ$, $W = U + 240^\circ$ 1: $V = U - 120^\circ$, $W = U - 240^\circ$
5, 4	R/W			Select clock. 00: $fgck/2$ 01: $fgck/2^2$ 10: $fgck/2^3$ 11: $fgck/2^4$
3	R/W			Switch between 2/3-phase modulations. 0: Two-phase modulation 1: Three-phase modulation
2	R/W			Transfer calculation result to CMP registers. 0: Disable 1: Enable
1	R/W			Enable/disable waveform calculation function. 0: Disable 1: Enable
0	R/W			Electrical angle timer. 0: Disable 1: Enable
EDSET	0x0EE3, 0x0EE2	15 to 12	R/W	Correct period (n) 0 to 15 times.
		11 to 0	R/W	Set period (m) $\geq 0x10$
ELDEG	0x0EE5, 0x0EE4	8 to 0	R/W	Initially set and count values of electrical angle.
AMP	01x0EE7, 0x0EE6	11 to 0	R/W	Set voltage used during waveform calculation.
EDCAP	0x0EE9, 0x0EE8	8 to 0	R	Electrical angle timer value when position is detected.
WVFMADR	0x0EEA	7to 0	R/W	Set sine wave data.
WVFMAD	0x0EED, 0x0EEC	8 to 0	R/W	Sine wave data RAM address
TRPWVDR	0x0EEB	7 to 0	R/W	3 phase wave form data . continuously write U,V,W data in this order

20. 10-bit AD Converter (ADC)

The TMP89FM82 has a 10-bit successive approximation type AD converter.

20.1 Configuration

The circuit configuration of the 10-bit AD converter is shown in Figure 20-1.

It consists of control registers ADCCR1 and ADCCR2, converted value registers ADCDRL and ADCDRH, a DA converter, a sample-hold circuit, a comparator, a successive comparison circuit, etc.

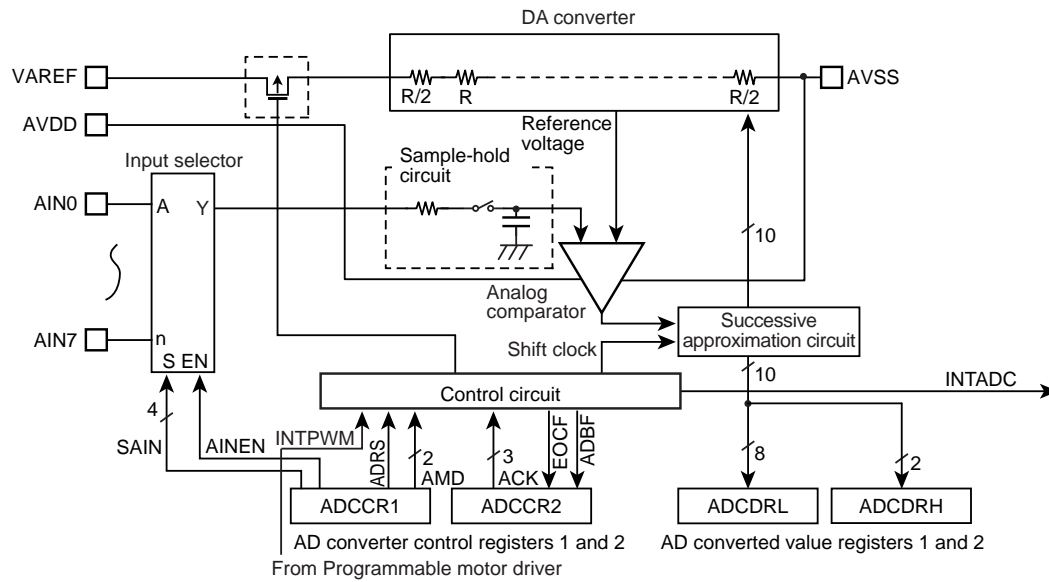


Figure 20-1 10-bit AD Converter

Note 1: Before using the AD converter, set an appropriate value to the I/O port register which is also used as an analog input port. For details, see the section on "I/O ports".

Note 2: The DA converter current (IREF) is automatically cut off at times other than during AD conversion.

20.2 Control

The AD converter consists of the following four registers:

1. AD converter control register 1 (ADCCR1)

This register selects an analog channel in which to perform AD conversion, selects an AD conversion operation mode, and controls the start of the AD converter.

2. AD converter control register 2 (ADCCR2)

This register selects the AD conversion time, and monitors the operating status of the AD converter.

3. AD converted value registers (ADCDRH and ADCDRL)

These registers store the digital values generated by the AD converter.

AD converter control register 1

ADCCR1 (0x0034)	7	6	5	4	3	2	1	0
Bit Symbol	ADRS	AMD		AINEN	SAIN			
Read/Write	R/W	R/W		R/W	R/W			
After reset	0	0	0	0	0	0	0	0

ADRS	AD conversion start	0: - 1: AD conversion start
AMD	AD operating mode	00: AD operation disable, forcibly stop AD operation 01: Single mode 10: Trigger start single mode(INTPWM) 11: Repeat mode
AINEN	Analog input control	0: Analog input disable 1: Analog input enable
SAIN	Analog input channel select	0000: AIN0 0001: AIN1 0010: AIN2 0011: AIN3 0100: AIN4 0101: AIN5 0110: AIN6 0111: AIN7 1xxx: Do not use

- Note 1: Do not perform the following operations on the ADCCR1 register while AD conversion is being executed (ADCCR2<ADBF>="1").
- Changing SAIN
 - Setting AINEN to "0"
 - Changing AMD (except a forced stop by setting AMD to "00")
 - Setting ADRS to "1"
- Note 2: If you want to disable all analog input channels, set AINEN to "0".
- Note 3: Although analog input pins are also used as input/output ports, it is recommended for the purpose of maintaining the accuracy of AD conversion that you do not execute input/output instructions during AD conversion. Additionally, do not input widely varying signals into the ports adjacent to analog input pins.
- Note 4: When STOP, IDLE0 or SLOW mode is started, ADRS, AMD and AINEN are initialized to "0".
- Note 5: When PMD interrupt signal(INTPWM) is generated during setting <AMD> to (0y10), a designated channel is AD converted once.
- Note 6: After ADRS is set to "1", it is automatically cleared to "0". The time between when ADRS is set to "1" and when it is cleared to "0" is a maximum of 4/fcgck [s] when ADCCR2<ACK>="00**", a maximum of 15/fcgck [s] when ADCCR2<ACK>="01**", and a maximum of 52/fcgck [s] when ADCCR2<ACK>="10**".

AD converter control register 2

ADCCR2 (0x0035)	7	6	5	4	3	2	1	0
Bit Symbol	EOCF	ADBF	-	-	"0"	ACK		
Read/Write	R	R	R	R	W	R/W		
After reset	0	0	0	0	0	0	0	0

EOCF	AD conversion end flag	0:	Before conversion or during conversion
		1:	Conversion end
ADBF	AD conversion BUSY flag	0:	AD conversion being halted
		1:	AD conversion being executed
ACK	AD conversion time select (examples of AD conversion time are shown in the table below)	000:	39/fcgck
		001:	78/fcgck
		010:	156/fcgck
		011:	312/fcgck
		100:	624/fcgck
		101:	1248/fcgck
		110:	Reserved
		111:	Reserved

Note 1: Make sure that you make the ACK setting when AD conversion is in a halt condition ($ADCCR2 < ADBF = "0"$).

Note 2: Make sure that you write "0" to bit 3 of ADCCR2.

Note 3: If STOP, IDLE0 or SLOW mode is started, EOCF and ADBF are initialized to "0".

Note 4: If the AD converted value register (ADCDRH) is read, EOCF is cleared to "0". It is also cleared to "0" if AD conversion is started ($ADCCR1 < ADRS = "1"$) without reading ADCDRH after completing AD conversion in single mode.

Note 5: If an instruction to read ADCCR2 is executed, 0 is read from bits 3 through 5.

Table 20-1 ACK Settings and Conversion Times Relative to Frequencies

ACK setting	Conversion time	Frequency (fcgck)							
		8MHz	4MHz	2MHz	5MHz	2.5MHz	1MHz	0.5MHz	0.25 MHz
000	39/fcgck	-	9.75 μ s	19.5 μ s	-	15.6 μ s	39.0 μ s	78.0 μ s	156.0 μ s
001	78/fcgck	9.75 μ s	19.5 μ s	39.0 μ s	15.6 μ s	31.2 μ s	78.0 μ s	156.0 μ s	-
010	156/fcgck	19.5 μ s	39.0 μ s	78.0 μ s	31.2 μ s	62.4 μ s	156.0 μ s	-	-
011	312/fcgck	39.0 μ s	78.0 μ s	156.0 μ s	62.4 μ s	124.8 μ s	-	-	-
100	624/fcgck	78.0 μ s	156.0 μ s	-	124.8 μ s	-	-	-	-
101	1248/fcgck	156.0 μ s	-	-	-	-	-	-	-
11*		Reserved							

Note 1: Spaces indicated by "-" in the above table mean that it is prohibited to establish conversion times in these spaces.

fcgck: High Frequency oscillation clock [Hz]

Note 2: Above conversion times do not include the time shown below.

- Time from when $ADCCR1 < ADRS >$ is set to 1 to when AD conversion is started

- Time from when AD conversion is finished to when a converted value is stored in ADCDRL and ADCDRH.

If ACK = 00*, the longest conversion time is 10/fcgck (s). If ACK = 01*, it is 32/fcgck (s). If ACK = 10*, it is 128/fcgck(s).

It is depend on the generate timing of PMD interrupt (INTPWM) in trigger start single mode.

Note 3: The conversion time must be longer than the following time by analog reference voltage (VAREF).

- VAREF = 4.5 to 5.5 V 9.75 μ s or longer (± 6 LSB)

- VAREF = 4.5 to 5.5 V 15.6 μ s or longer (± 2 LSB)

AD converted value register (lower side)

ADCDRL		7	6	5	4	3	2	1	0
(0x0036)	Bit Symbol	AD07	AD06	AD05	AD04	AD03	AD02	AD01	AD00
	Read/Write	R	R	R	R	R	R	R	R
	After reset	0	0	0	0	0	0	0	0

AD converted value register (upper side)

ADCDRH		7	6	5	4	3	2	1	0
(0x0037)	Bit Symbol	-	-	-	-	-	-	AD09	AD08
	Read/Write	R	R	R	R	R	R	R	R
	After reset	0	0	0	0	0	0	0	0

- Note 1: A read of ADCDRL or ADCDRH must be read after the INTADC interrupt is generated or after ADCCR2<EOCF> becomes "1".
- Note 2: In single mode, do not read ADCDRL or ADCDRH during AD conversion (ADCCR2<ADBF>="1"). (If AD conversion is finished in the interim between a read of ADCDRL and a read of ADCDRH, the INTADC interrupt request is canceled, and the conversion result is lost.)
- Note 3: If STOP, IDLE0 or SLOW mode is started, ADCDRL and ADCDRH are initialized to "0".
- Note 4: If ADCCR1<AMD> is set to "00", ADCDRL and ADCDRH are initialized to "0".
- Note 5: If an instruction to read ADCDRH is executed, "0" is read from bits 7 through 2.
- Note 6: If AD conversion is finished in repeat mode in the interim between a read of ADCDRL and a read of ADCDRH, the previous converted value is retained without overwriting the AD converted value register. In this case, the INTADC interrupt request is canceled, and the conversion result is lost.

20.3 Functions

The 10-bit AD converter operates in either single mode in which AD conversion is performed only once, repeat mode in which AD conversion is performed repeatedly and trigger start single mode.

20.3.1 Single mode

In single mode, the voltage at a designated analog input pin is AD converted only once.

Setting ADCCR1<ADRS> to "1" after setting ADCCR1<AMD> to "01" allows AD conversion to start. ADCCR1<ADRS> is automatically cleared after the start of AD conversion. As AD conversion starts, ADCCR2<ADBF> is set to "1". It is cleared to "0" if AD conversion is finished or if AD conversion is forced to stop.

After AD conversion is finished, the conversion result is stored in the AD converted value registers (ADCDRL and ADCDRH), ADCCR2<EOCF> is set to "1", and the AD conversion finished interrupt (INTADC) is generated. The AD converted value registers (ADCDRL and ADCDRH) should be usually read according to the INTADC interrupt processing routine. If the upper side (ADCDRH) of the AD converted value register is read, ADCCR2<EOCF> is cleared to "0".

Note: Do not perform the following operations on the ADCCR1 register when AD conversion is being executed (ADCCR2<ADBF>="1"). If the following operations are performed, there is the possibility that AD conversion may not be executed properly.

- Changing the ADCCR1<SAIN> setting
- Setting ADCCR1<AINEN> to "0"
- Changing the ADCCR1<AMD> setting (except a forced stop by setting AMD to "00")
- Setting ADCCR1<ADRS> to "1"

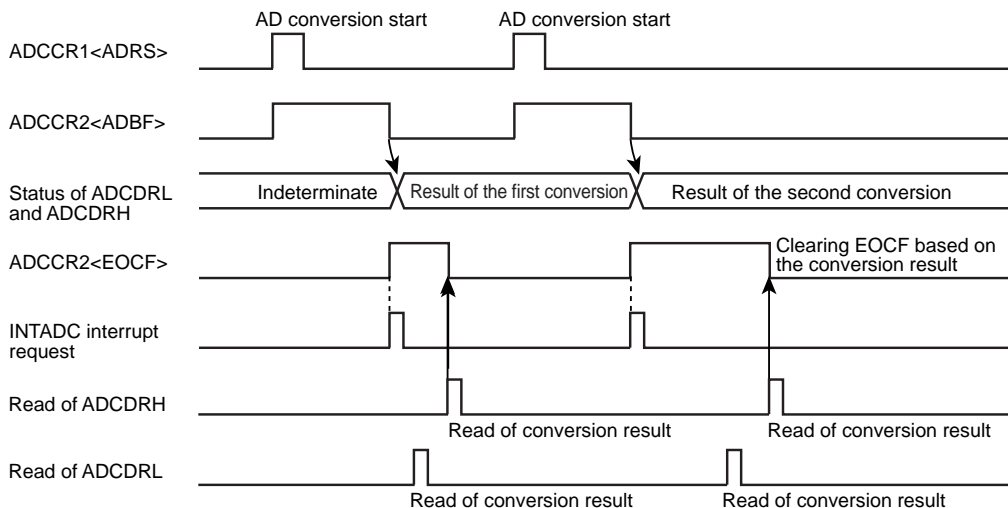


Figure 20-2 Single Mode

20.3.2 Trigger start single mode

In trigger start single mode, the interrupt signal that other peripheral functions generate is made a trigger, a designated analog input pin is AD converted only once.

In TMP89FM82, PMD interrupt signal (INTPWM) is made a trigger to start AD conversion.

Setting ADCCR1<ADRS> to "1" after setting ADCCR1<AMD> to "10" (trigger start single mode) allows AD conversion stands by. When INTPWM is generated with AD conversion stands by, AD conversion is begun. After the start of conversion, ADCCR1<ADRS> is automatically cleared. ADCCR2<ADBF> is set to "1" by the start of AD conversion. ADCCR2<ADBF> is cleared to "0" after the end of AD conversion or forced stop of AD

conversion. After the AD conversion is finished, the conversion result is stored in the AD converted value register (ADCDRL and ADCDRH), ADCCR2<EOCF> is set to "1", and the AD conversion finished interrupt (INTADC) is generated. The AD converted value registers (ADCDRL and ADCDRH) should be usually read according to the INTADC interrupt processing routine. If the upper side (ADCDRH) of the AD converted value register is read, ADCCR2<EOCF> is cleared to "0".

Note: Do not perform the following operations on the ADCCR1 register when AD conversion is being executed (ADCCR2<ADBF>="1"). If the following operations are performed, there is the possibility that AD conversion may not be executed properly.

- Changing the ADCCR1<SAIN> setting
- Setting ADCCR1<AINEN> to "0"
- Changing the ADCCR1<AMD> setting (except a forced stop by setting AMD to "00")
- Setting ADCCR1<ADRS> to "1"

20.3.3 Repeat mode

In repeat mode, the voltage at an analog input pin designated at ADCCR1<SAIN> is AD converted repeatedly.

Setting ADCCR1<ADRS> to "1" after setting ADCCR1<AMD> to "11" allows AD conversion to start. After the start of AD conversion, ADCCR1<ADRS> is automatically cleared. After the first AD conversion is finished, the conversion result is stored in the AD converted value registers (ADCDRL and ADCDRH), ADCCR2<EOCF> is set to "1", and the AD conversion finished interrupt (INTADC) is generated. After this interrupt is generated, the second (next) AD conversion starts immediately.

The AD converted value registers (ADCDRL and ADCDRH) should be read before the next AD conversion is finished. If the next AD conversion is finished in the interim between a read of ADCDRL and a read of ADCDRH, the previous converted value is retained without overwriting the AD converted value registers (ADCDRL and ADCDRH). In this case, the INTADC interrupt request is not generated, and the conversion result is lost. (See Figure 20-3.)

To stop AD conversion, write "00" (AD operation disable) to ADCCR1<AMD>. As "00" is written to ADCCR1<AMD>, AD conversion stops immediately. In this case, the converted value is not stored in the AD converted value register. As AD conversion starts, ADCCR2<ADBF> is set to "1". It is cleared to "0" if "00" is written to AMD.

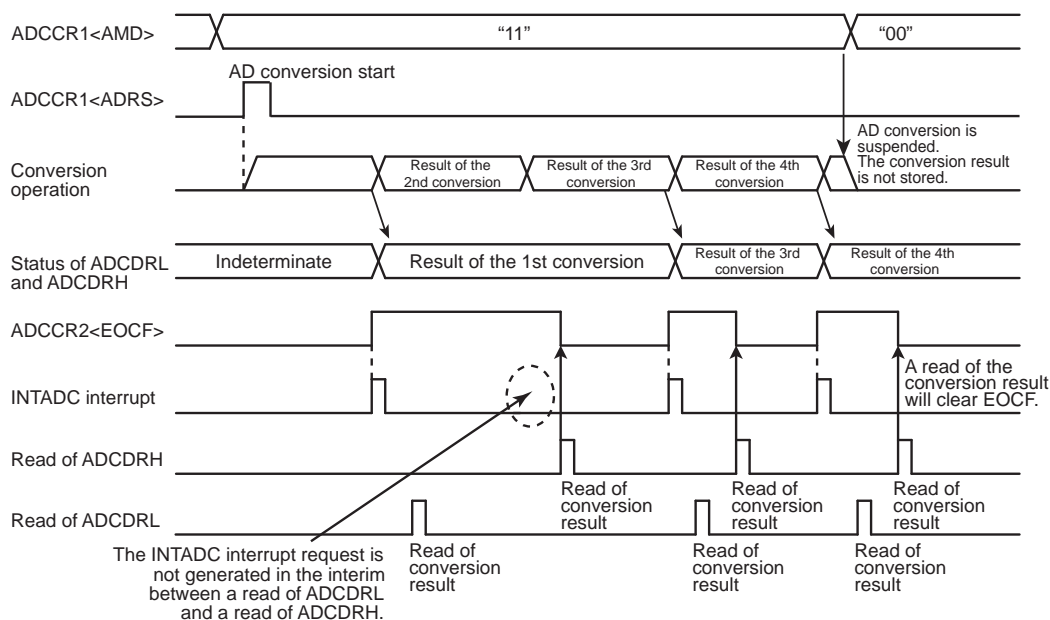


Figure 20-3 Repeat Mode

20.3.4 AD operation disable and forced stop of AD operation

If you want to force the AD converter to stop when AD conversion is ongoing in single mode and in trigger start mode or if you want to stop the AD converter when AD conversion is ongoing in repeat mode, set ADCCR1<AMD> to "00".

If ADCCR1<AMD> is set to "00", registers ADCCR2<EOCF>, ADCCR2<ADBF>, ADCDRL, and ADCDRH are initialized to "0".

20.4 Register Setting

1. Set the AD converter control register 1 (ADCCR1) as described below:
 - From the AD input channel select (SAIN), select the channel in which AD conversion is to be performed.
 - Set the analog input control (AINEN) to "Analog input enable".
 - At AMD, specify the AD operating mode (single or repeat mode).
2. Set the AD converter control register 2 (ADCCR2) as described below:
 - At the AD conversion time (ACK), specify the AD conversion time. For information on how to specify the conversion time, refer to the AD converter control register 2 and Table 20-1.
3. After the above two steps are completed, set "1" on the AD conversion start (ADRS) of the AD converter control register 1 (ADCCR1), and AD conversion starts immediately if single mode is selected.
4. As AD conversion is finished, the AD conversion end flag (EOCF) of the AD converter control register 2 (ADCCR2) is set to "1", the AD conversion result is stored in the AD converted value registers (ADCDRH and ADCDRL), and the INTADC interrupt request is generated.
5. After the conversion result is read from the AD converted value register (ADCDRH), EOCF is cleared to "0". EOCF will also be cleared to "0" if AD conversion is performed once again before reading the AD converted value register (ADCDRH). In this case, the previous conversion result is retained until AD conversion is finished.

Example: After selecting the conversion time 19.5 μ s at 8MHz and the analog input channel AIN3 pin, perform AD conversion once. After checking EOCF, store the conversion result in the HL register. The operation mode is single mode.

```

: (Port setting)                                ;Before setting AD converter registers, make an appropriate port
                                                ;register setting.(For further details, refer to the section that describes
                                                ;I/O ports.)
LD      (ADCCR1), 0y00110011                    ;Select AIN3 and operation mode
LD      (ADCCR2), 0y00000010                    ;Select conversion time (156/fcgck)
SET     (ADCCR1), 7                             ;ADRS = 1 (AD conversion start)
SLOOP : TEST (ADCCR2), 7                        ;EOCF = 1 ?
        J     T, SLOOP
LD      HL, (ADC DRL)                            ;Read result data

```

20.5 Starting STOP/IDLE0/SLOW Modes

If STOP/IDLE0/SLOW mode is started, registers ADCCR1<ADRS, AMD, AINEN>, ADCCR2<EOCF, ADBF>, ADCDRL and ADCDRH are initialized to "0". If any of these modes is started during AD conversion, AD conversion is suspended, and the AD converter stops (registers are likewise initialized). When restored from STOP/IDLE0/SLOW mode, AD conversion is not automatically restarted. Therefore, registers must be reconfigured as necessary.

If STOP/IDLE0/SLOW mode is started during AD conversion, analog reference voltage is automatically disconnected and, therefore, there is no possibility of current flowing into the analog reference voltage.

20.6 Analog Input Voltage and AD Conversion Result

Analog input voltages correspond to AD-converted, 10-bit digital values, as shown in Figure 20-4.

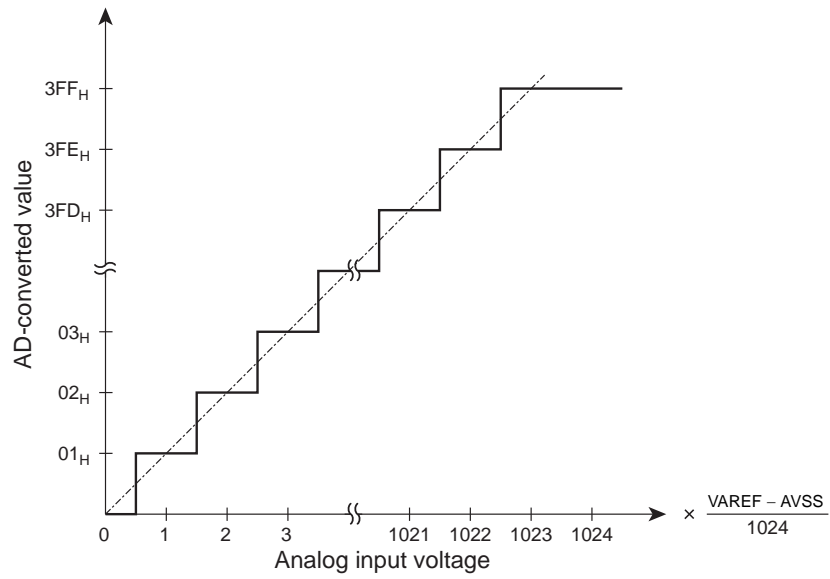


Figure 20-4 Relationships between Analog Input Voltages and AD-converted Values (typical values)

20.7 Precautions about the AD Converter

20.7.1 Analog input pin voltage range

Analog input pins (AIN0 through AIN7) should be used at voltages from VAREF to VSS. If any voltage outside this range is applied to one of the analog input pins, the converted value on that pin becomes uncertain, and converted values on other pins will also be affected.

20.7.2 Analog input pins used as input/output ports

Analog input pins (AIN0 to AIN7) are also used as input/output ports. In using one of analog input pins (ports) to execute AD conversion, input/output instructions at all other pins (ports) must not be executed. If they are executed, there is the possibility that the accuracy of AD conversion may deteriorate. This also applies to pins other than analog input pins; if one pin receives inputs or generates outputs, noise may occur and its adjacent pins may be affected by that noise.

20.7.3 Noise countermeasure

The internal equivalent circuit of the analog input pins is shown in Figure 20-5. The higher the output impedance of the analog input source, the more susceptible it becomes to noise. Therefore, make sure the output impedance of the signal source in your design is 5 k Ω or less. It is recommended that a capacitor be attached externally.

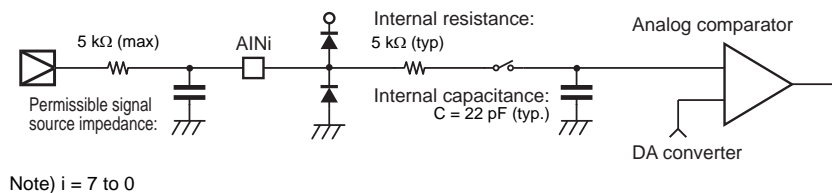


Figure 20-5 Analog Input Equivalent Circuit and Example of Input Pin Processing

21. Flash Memory

The TMP89FM82 has flash memory of 32768 bytes. A write and erase to be performed on flash memory can be controlled in the following three modes:

- MCU mode

In MCU mode, the flash memory is accessed by the CPU control, and the flash memory can be executed the erasing and writing without affecting the operations of a running application. Therefore, this mode is used for software debugging and firmware change after shipment of the TMP89FM82.

- Serial PROM mode

In serial PROM mode, the flash memory is accessed by the CPU control. Use of the serial interface (UART and SIO) enables the flash memory to be controlled by the small number of pins. The TMP89FM82 used in serial PROM mode supports on-board programming, which enables users to program flash memory after the microcontroller is mounted on a user board.

- Parallel PROM mode

The parallel PROM mode allows the flash memory to be accessed as a stand-alone flash memory by the program writer provided by a third party. High-speed access to the flash memory is available by controlling address and data signals directly. To receive a support service for the program writer, please ask a Toshiba sales representative.

In MCU and serial PROM modes, flash memory control registers (FLSCR1 and FLSCR2) are used to control the flash memory. This chapter describes how to access the flash memory using the MCU and serial PROM modes.

21.1 Flash Memory Control

The flash memory is controlled by the flash memory control register 1 (FLSCR1), flash memory control register 2 (FLSCR2), and flash memory standby control register (FLSSTB).

The TMP89FM82 also has a Protect cancel mode control register (FLSVPR) for erase all flash memory area.

Flash memory control register 1

FLSCR1 (0x0FD0)		7	6	5	4	3	2	1	0
Bit Symbol	FLSMD			BAREA	FAREA			-	-
Read/Write	R/W			R/W	R/W			R/W	R/W
After reset	0	1	0	0	0	0	0	0	0

FLSMD	Flash memory command sequence and toggle control	010: Disable command sequence and toggle execution 101: Enable command sequence and toggle execution Others: Reserved	
BAREA	BOOTROM mapping control	MCU mode	Serial PROM mode
		0: Hide BOOTROM 1: Show BOOTROM	- Show BOOTROM
FAREA	Flash memory area select control	00: Assign the data area 0x8000 through 0xFFFF to the data area 0x8000 through 0xFFFF (standard mapping).	
		01: Reserved	
		10: Assign the code area 0x8000 through 0xFFFF to the data area 0x8000 through 0xFFFF.	
		11: Reserved	

Note 1: It is prohibited to make a setting in "Reserved".

Note 2: The flash memory control register 1 has a double-buffer structure comprised of the register FLSCR1 and a shift register. Writing "0xD5" to the register FLSCR2 allows a register setting to be reflected and take effect in the shift register. This means that a register setting value does not take effect until "0xD5" is written to the register FLSCR2. The value of the shift register can be checked by reading the register FLSCRM.

Note 3: FLSMD must be set to either "0y010" or "0y101".

Flash memory control register 2

FLSCR2 (0x0FD1)		7	6	5	4	3	2	1	0
Bit Symbol	CR1EN								
Read/Write	W								
After reset	*	*	*	*	*	*	*	*	*

CR1EN	FLSCR1 register enable/disable control	0xD5: Enable a change in the FLSCR1 setting Others: Reserved
-------	--	---

Note 1: If "0xD5" is set on FLSCR2<CR1EN> with FLSCR1<FLSMD> set to "101", the flash memory goes into an active state, and MCU consumes the same amount of current as it does during a read.

Flash memory control register 1 monitor

FLSCRM (0x0FD1)	7	6	5	4	3	2	1	0
Bit Symbol	-	-	FLSMDM	BAREAM	FAREAM		-	-
Read/Write	R	R	R	R	R		R	R
After reset	0	0	0	0	0	0	0	0

FLSMDM	Monitoring of FLSCR1<FLSMD> status	0	FLSCR1<FLSMD>="101" setting disabled
		1	FLSCR1<FLSMD>="101" setting enabled
BAREAM	Monitoring of FLSCR1<BAREAM> status	Value of currently enabled FLSCR1<BAREAM>	
FAREAM	Monitoring of FLSCR1<FAREAM> status	Value of currently enabled FLSCR1<FAREAM>	

Note 1: FLSCRM is the register that checks the value of the shift register of the flash memory control register 1.

Note 2: FLSMDM turns into "1" only if FLSMD="101" becomes effective.

Note 3: If an instruction to read FLSCRM is executed, "0" is read from bits 7, 6, 1 and 0.

Note 4: In serial PROM mode, "1" is always read from BAREAM.

Flash memory standby control register

FLSSTB (0x0FD2)		7	6	5	4	3	2	1	0
Bit Symbol		-	-	-	-	-	-	-	FSTB
Read/Write		R	R	R	R	R	R	R	W
After reset		0	0	0	0	0	0	0	0

FSTB	Flash memory standby control	0	Disable flash memory standby
		1	Enable flash memory standby

- Note 1: A value can be written to FSTB only by using a program that resides in RAM. A value written using a program residing in the flash memory will be invalidated.
- Note 2: If FSTB is set to "1", do not execute instructions to fetch or read data from or write data to the flash memory. If they are executed, a flash standby reset will occur.
- Note 3: If an instruction to read FLSSTB is executed, "0" is read from bits 7 through 0.

Protect cancel mode command register

FLSVPR (0x0FB7)		7	6	5	4	3	2	1	0
Bit Symbol		VPREG							
Read/Write		W							
After reset		0	0	0	0	0	0	0	0

VPREG	Protect cancel mode command	enter to Protect cancel mode, by continuous 0x6F,0x75 writing. return to the normal mode by other data (cf. 0xFF) writing.
-------	-----------------------------	---

- Note 1: After finishing re-write by protect cancel mode, please turn to the normal mode.
- Note 2: After return to the normal mode, it is recommended to execute more than 1 machine cycle instruction (exp. NOP), before jump to the program on the flash memory area.

Protect cancel mode status register

FLSVPM (0x0FB7)		7	6	5	4	3	2	1	0
Bit Symbol		-	VPCEN	-	-	-	-	-	-
Read/Write		R	R	R	R	R	R	R	W
After reset		0	0	No fix	0	0	0	0	0

VPCEN	Protect cancel mode status bit	0	Normal mode
		1	Protect cancel mode

- Note 1: No fixed value is read from FLSVPM<bit 5>.

Port input control register (this register works only in serial PROM mode)

SPCR (0x0FD3)		7	6	5	4	3	2	1	0
Bit Symbol	-	-	-	-	-	-	-	PIN1	PIN0
Read/Write	R	R	R	R	R	R	R	R/W	R/W
After reset	1	0	0	0	0	0	0	0	0

PIN1	Port input control (SCLK0 pin) in serial PROM mode	In serial PROM mode		In MCU mode	
		0	Port input disabled	Input enabled for all ports	
PIN0	Port input control (except RXD0, TXD0 and SCLK0) in serial PROM mode	1	Port input enabled	Nonfunctional whatever settings are made	
		0	Port input disabled	"0" is read	
PIN0	Port input control (except RXD0, TXD0 and SCLK0) in serial PROM mode	1	Port input enabled		
		0	Port input disabled		

Note 1: A read or write can be performed on the SPCR register only in serial PROM mode. If a write is performed on this register in MCU mode, the port input control does not function. If a read is performed on the SPCR register in MCU mode, "0" is read from bits 7 through 0.

Note 2: All I/O ports are controlled by PIN0, except the ports RXD0, TXD0 and SCLK0 which are used in serial PROM mode. By using PIN1, the SCLK0 pin can be configured separately from other pins.

21.2 Functions

21.2.1 Flash memory command sequence execution and toggle control (FLSCR1 <FLSMD>)

To prevent inadvertent writes to the flash memory due to program error or microcontroller malfunction, the execution of the flash memory command sequence and the toggle operation can be disabled (the flash memory can be write protected) by making an appropriate control register setting (write protect). To enable the execution of the command sequence and the toggle operation, set FLSCR1<FLSMD> to "0y101", and then set "0xD5" on FLSCR2<CR1EN>. To disable the execution of the command sequence, set FLSCR1<FLSMD> to "0y010", and then set "0xD5" on FLSCR2<CR1EN>. If the command sequence or the toggle operation is executed with the execution of the command sequence and the toggle operation set to "disable", the executed command sequence or toggle operation takes no effect.

After a reset, FLSCR1<FLSMD> is initialized to "0y010" to disable the execution of the command sequence. FLSCR1<FLSMD> should normally be set to "0y010" except when a write or erase is to be performed on the flash memory.

Note 1: If "0xD5" is set on FLSCR2<CR1EN> with FLSCR1<FLSMD> set to "101", the flash memory goes into an active state, and MCU consumes the same amount of current as it does during a read.

Note 2: If FLSCR1<FLSMD> is set to "disable", subsequent commands (write instructions) generated are rejected but a command sequence being executed is not initialized.

If you want to set FLSCR1<FLSMD> to "disable", you must finish all command sequences and verify that the flash memory is ready to be read.

21.2.2 Flash memory area switching (FLSCR1<FAREA>)

To perform an erase or write on the flash memory, a memory transfer instruction (command sequence) must be executed. If a memory transfer instruction is used to read or write data, a read or write can be performed only on the data area. To perform an erase or write on the code area, therefore, part of the code area must be temporarily switched to the data area. This switching between data and code areas is performed by making the appropriate FLSCR1<FAREA> setting.

By setting "0xD5" on FLSCR2<CR1EN> after setting FLSCR1<FAREA> to "10", 0x8000 through 0xFFFF (AREA C1) in the code area is mapped to 0x8000 through 0xFFFF (AREA D1) in the data area.

To restore the flash memory to the initial state of mapping, set FLSCR1<FAREA> to "00", and then set "0xD5" on FLSCR2<CR1EN>.

All flash memory areas can be accessed by performing the appropriate steps described above and then executing the memory transfer instruction on 0x8000 through 0xFFFF (AREA D1) in the data area.

0x8000 through 0xFFFF (AREA D1) in the data area and 0x8000 through 0xFFFF (AREA C1) in the code area are mirror areas; these two areas refer to the same physical address in memory. Therefore, an erase or write must be performed on one of these two mirror areas. For example, If a write is performed on 0x8000 in the data area with FLSCR1<FAREA> set to "10" after performing a write on 0x8000 in the data area with FLSCR1<FAREA> set to "00", data is overwritten. To write data to the flash memory that already has data written to it, existing data must first be erased from the flash memory by performing a sector erase or chip erase, and then data must be written.

Additionally, access to areas to which memory is not assigned should be avoided by executing an instruction or specifying such an area by using jump or call instructions.

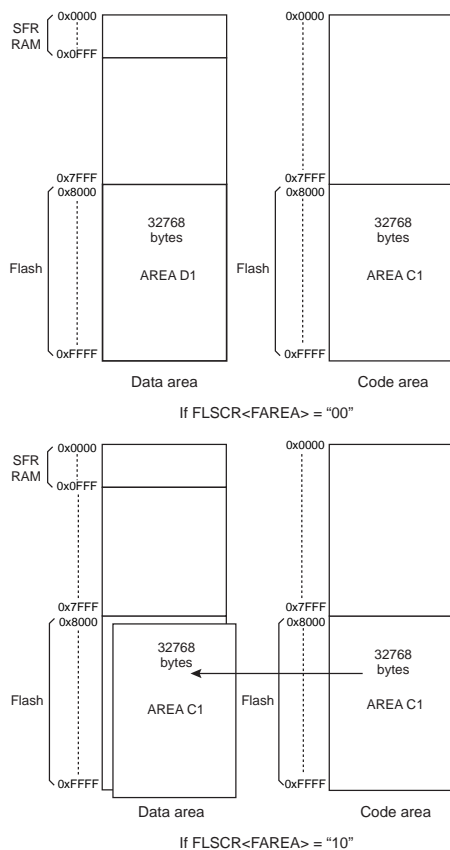


Figure 21-1 Area Switching Using the FLSCR1<FAREA> Setting

21.2.3 RAM area switching (SYSCR3<RAREA>)

If "0xD4" is set on SYSCR4 after SYSCR3<RAREA> is set to "1" in MCU mode, RAM is mapped to the code area. To restore the RAM area to the initial state of mapping, set SYSCR3<RAREA> to "0", and then set "0xD4" on SYSCR4.

In serial PROM mode, RAM is mapped to the code area, irrespective of the SYSCR3<RAREA> setting.

21.2.4 BOOTROM area switching (FLSCR1<BAREA>)

If "0xD5" is set on FLSCR2<CR1EN> after FLSCR1<BAREA> is set to "1" in MCU mode, 0x1000 through 0x17FF in the code and data areas is masked by flash memory, and 2K-byte (first half of 4KB) BOOTROM is mapped. If you do not want to map BOOTROM, set "0xD5" on FLSCR2<CR1EN> after setting FLSCR1<BAREA> to "0".

A set of codes for programming flash memory in serial PROM mode are built into BOOTROM, and a support program (API) for performing an erase or write on flash memory in a simple manner is also built into one part in the BOOTROM area. Therefore, by calling a subroutine in the support program after BOOTROM is mapped, it is possible to erase, write and read flash memory easily.

In serial PROM mode, BOOTROM is mapped to 0x1000 through 0x17FF in the data area and 0x1000 through 0x1FFF in the code area, irrespective of the FLSCR1<BAREA> setting. BAREA is always "1", and the set BAREA value remains unchanged, even if data is written. "1" is always read from BAREA.

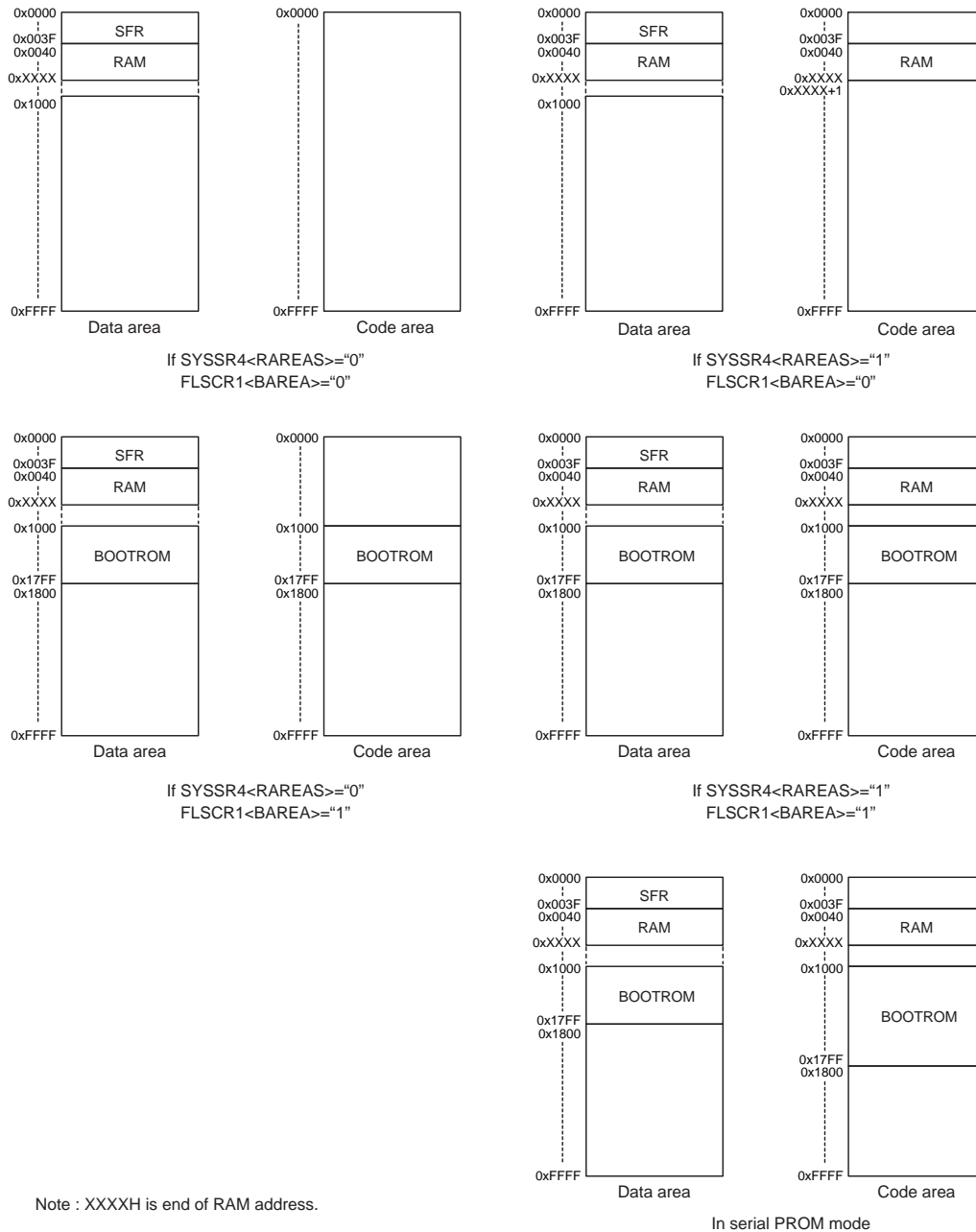


Figure 21-2 Show/Hide Switching for BOOTROM and RAM

21.2.5 Flash memory standby control (FLSSTB<FSTB>)

FLSSTB<FSTB> is the register provided to maintain the compatibility with the previous product version. It must normally be set to "0". In using FLSSTB<FSTB> built into the TMP89FM82, the following point should be noted: FLSSTB<FSTB> can be configured only by using a program allocated to RAM. If it is configured by using a program allocated to the flash memory, the configured value will be invalidated and does not take effect.

To access the flash memory again after setting FLSSTB<FSTB> to "1", set FLSSTB<FSTB> to "0" by using a program allocated to RAM. If the flash memory is accessed with FLSSTB<FSTB> set to "1," a flash standby reset will occur.

If an interrupt occurs when the interrupt vector is assigned to the flash memory area (SYSCR3<RVCTR> = "0" is effective), FSTB is automatically initialized to "0", and then the interrupt vector of the flash memory area is read. If an interrupt occurs when the interrupt vector is assigned to the RAM area (SYSCR3<RVCTR> = "1" is effective), FSTB is not cleared to "0", and then the interrupt vector of the RAM area is read. In this case, the RAM area should be designated as a referential address of interrupt vector. If the flash memory area is designated as a referential address of interrupt vector, a flash standby reset occurs after an interrupt is generated.

21.2.6 Protect cancel mode (FLSVPR<VPREG>)

In MCU mode, Sector 2 to 6 can not rewrite, because after reset, write protect is on, no matter setting to the security program. By entering Protect cancel mode, i.e. by tentatively off the write protect function, it is possible to enable Byte Program, Sector Erase, Chip Erase.

By writing "0x6F", "0x75" continuously to the FLSVPR<VPREG> from the program located on the RAM area, TMP89FM82 enter to the Protect cancel mode. In case of the program located on the flash memory area, TMP89FM82 can not access FLSVPR<VPREG>.

After rewrite the flash memory, please return to the normal operation mode by writing "0xFF" to the FLSVPR<VPREG>. The Flash memory program execution with protect cancel mode causes software interrupt.

The following 3 conditions causes return from the protect cancel mode to the normal operation mode.

- Initialize by Reset
- Write data to FLSVPR<VPREG> other than the continuous data of "0x78, 0x03 or the continuous data of 0x6F, 0x75".
- Program counter point the flash memory area.

21.2.7 Protect set up

In MCU mode, Sector 2 to 6 can not rewrite, because after reset, write protect is on, no matter setting to the security program. By executing Product ID Entry, Security program setting on flash memory can reflect to sector 2 to 6. Then by executing Product ID exit, please execute flash memory rewrite. This setting continue until initialize by hardware reset.

Security Program setting	After Reset Release		Product ID Entry	
	Sector 0,1	Sector 2 to 6	Sector 0,1	Sector 2 to 6
Security Program on	Write Protect off	Write Protect on	Write Protect off	Write protect on
Security Program off				Write protect off

21.2.8 Port input control register (SPCR<PIN0, PIN1>)

In serial PROM mode, the input levels of all ports, except the ports RXD0 and TXD0 used in serial PROM mode, are physically fixed after a reset is released. This is designed to prevent a penetration current from flowing through unused ports (port inputs and functional peripheral inputs, which are also used as ports, are disabled).

To access the flash memory using the RAM loader mode and a method other than the UART, therefore, port inputs must be set to "enable". To enable the SCLK0 port input, set SPCR<PIN1> to "1". To enable port inputs other than RXD0, TXD0 and SCLK0 port inputs, set SPCR<PIN0> to "1".

In MCU mode, the SPCR register does not function.



21.3 Command Sequence

In MCU and serial PROM modes, the command sequence consists of six commands (JEDEC compatible), as shown in Table 21-1.

Table 21-1 Command Sequence

	Command sequence	1st Bus Write Cycle		2nd Bus Write Cycle		3rd Bus Write Cycle		4th Bus Write Cycle		5th Bus Write Cycle		6th Bus Write Cycle	
		Add	Data	Add	Data	Add	Data	Add	Data	Add	Data	Add	Data
1	Byte Program	0x#555	0xAA	0x#AAA	0x55	0x#555	0xA0	BA (Note 1)	Data (Note 1)	-	-	-	-
2	Sector Erase (partial erase in units of 2, 4, 8KB)	0x#555	0xAA	0x#AAA	0x55	0x#555	0x80	0x#555	0xAA	0x#AAA	0x55	SA (Note 2)	0x30
3	Chip Erase (all erase)	0x#555	0xAA	0x#AAA	0x55	0x#555	0x80	0x#555	0xAA	0x#AAA	0x55	0x#555	0x10
4	Product ID Entry	0x#555	0xAA	0x#AAA	0x55	0x#555	0x90	-	-	-	-	-	-
5	Product ID Exit	0xXX	0xF0	-	-	-	-	-	-	-	-	-	-
6	Security Program	0x#555	0xAA	0x#AAA	0x55	0x#555	0xA5	0xFF7F	0x00	-	-	-	-

Note 1: Specify the address and data to be written (Refer to Table 21-2 about BA).

Note 2: The area to be erased is specified with the upper 5 bits of the address (Refer to Table 21-3 about SA).

Note 3: Do not start the STOP, IDLE0, IDLE1, IDLE2, SLEEP1 or SLEEP0 mode while a command sequence is being executed or a task specified in a command sequence is being executed (write, erase or ID entry).

Note 4: # ; 0x8 through 0xF should be specified as the upper 4bits of the address. Usually, it is recommended that 0xF is specified.

Note 5: XXX ; Don't care

21.3.1 Byte program

This command writes the flash memory in units of one byte. The address and data to be written are specified in the 4th bus write cycle. The range of addresses that can be specified is shown in Table 21-2. For example, to write data to 0x8000 in the data area, set FLSCR1<FAREA> to "0y00", set "0xD5" on FLSCR2<CR1EN>, and then specify 0x8000 as an address in the 4th bus write cycle. The time needed to write each byte is 40µs maximum. The next command sequence cannot be executed if an ongoing write operation is not completed. To check the completion of the write operation, perform read operations twice on the same address in the flash memory, and perform polling until the same data is read from the flash memory. During the write operation, bit 6 is reversed each time a read is performed.

In case of MCU mode, only Block0 and Block1 is able to write data. Block2 to Block6 is not able to write data, no matter how the Security program setting. In case of Byte program for the protected area where the protect is on, Flash memory ignore the the write command (to prevent un intentional writing, like miss operation.) There is the function to be able to rewrite the data for these area in TMP89FM82. Refer to "21.2.6 Protect cancel mode (FLSVPR<VPREG>)" "21.2.7 Protect set up".

Note 1: To rewrite data to addresses in the flash memory where data (including 0xFF) is already written, make sure that you erase the existing data by performing a sector erase or chip erase before writing data.

Note 2: The data and code areas become mirror areas. As you access these areas, you are brought to the same physical address in memory. When performing a Byte Program, make sure that you write data to either of these two areas, not both.

Note 3: Do not perform a Byte Program on areas other than those shown in Table 21-2.

Table 21-2 Range of Addresses Specifiable (BA)

Write Area		FLSCR1 <FAREA>	Address specified by instruction (Address of 4th bus write cycle)
AREA D1 (Data area)	0x8000 through 0xFFFF	00	0x8000 through 0xFFFF
AREA C1 (Code area)	0x8000 through 0xFFFF	10	0x8000 through 0xFFFF

21.3.2 Sector erase (partial erase by sector)

This command erases the flash memory in units of 2, 4, 8 kbytes. The flash memory area to be erased is specified by the upper 5 bits of the 6th bus write cycle address. The range of addresses that can be specified is shown in Table 21-3. For example, to erase Block1 (2 kbytes from 0x8000 through 0x87FF in the code area), set FLSCR1<FAREA> to "0y10", set "0xD5" on FLSCR2<CR1EN>, and then specify either 0x8000 or 0x87FF as the 6th bus write cycle. The sector erase command is effective only in MCU and serial PROM modes, and it cannot be used in parallel PROM mode.

The time needed to erase each Block is maximum 40 ms. The next command sequence cannot be executed if an ongoing erase operation is not completed. To check the completion of the erase operation, perform read operations twice on the same address in the flash memory, and perform polling until the same data is read from the flash memory. During the erase operation, bit 6 is reversed each time a read is performed.

Data in the erased area is 0xFF.

In case of MCU mode, only Block0 and Block1 is able to write data. Block2 to Block6 is not able to write data, no matter how the Security program setting. In case of Sector Erase for the protected area where the protect is on, Flash memory ignore the the write command (to prevent an intentional writing, like miss operation.) There is the function to be able to rewrite the data for these area in TMP89FM82. Refer to "21.2.6 Protect cancel mode (FLSVPR<VPREG>)" "21.2.7 Protect set up".

Note 1: The data and code areas become mirror areas. As you access these areas, you are brought to the same physical address in memory. When performing a sector erase, make sure that you erase data from either of these two areas, not both.

Note 2: Do not perform a sector erase on areas other than those shown in Table 21-3.

Table 21-3 Range of Addresses Specifiable

Erase Area			FLSCR1 <FAREA>	Address specified by instruction (Address of 6th bus write cycle)
AREA D1 (Data area)	Block1 (2KB)	0x8000 to 0x87FF	00	0x8000 to 0x87FF
	Block2 (2KB)	0x8800 to 0x8FFF		0x8800 to 0x8FFF
	Block3 (4KB)	0x9000 to 0x9FFF		0x9000 to 0x9FFF
	Block4 (4KB)	0xA000 to 0xAFFF		0xA000 to 0xAFFF
	Block5 (4KB)	0xB000 to 0xBFFF		0xB000 to 0xBFFF
	Block6 (8KB)	0xC000 to 0xDFFF		0xC000 to 0xDFFF
	Block7 (8KB)	0xE000 to 0xFFFF		0xE000 to 0xFFFF
AREA C1 (Code area)	Block1 (2KB)	0x8000 to 0x87FF	10	0x8000 to 0x87FF
	Block2 (2KB)	0x8800 to 0x8FFF		0x8800 to 0x8FFF
	Block3 (4KB)	0x9000 to 0x9FFF		0x9000 to 0x9FFF
	Block4 (4KB)	0xA000 to 0xAFFF		0xA000 to 0xAFFF
	Block5 (4KB)	0xB000 to 0xBFFF		0xB000 to 0xBFFF
	Block6 (8KB)	0xC000 to 0xDFFF		0xC000 to 0xDFFF
	Block7 (8KB)	0xE000 to 0xFFFF		0xE000 to 0xFFFF

21.3.3 Chip erase (all erase)

This command erases the entire flash memory and cancel Security program.

The time needed to erase all area is maximum 40 ms. The next command sequence cannot be executed until ongoing erase operation complete. To check the completion of the erase operation, perform read operations twice on the same address in the flash memory, and perform polling until the same data is read from the flash memory. During the erase operation, bit 6 is reversed each time a read is performed.

Data in the erased area is 0xFF.

In case of MCU mode, only Block0 and Block1 is able to write data. Block2 to Block6 is not able to write data, no matter how the Security program setting. In case of Chip Erase for the protected area where the protect is on, Flash memory ignore the the write command (to prevent un intentional writing, like miss operation.) There is the function to be able to rewrite the data for these area in TMP89FM82. Refer to "21.2.6 Protect cancel mode (FLSVPR<VPREG>)" "21.2.7 Protect set up".

21.3.4 Product ID entry

This command activates the product ID mode. If an instruction to read the flash memory is executed in Product ID mode, the vendor ID, flash ID and security status can be read from the flash memory.

The product ID entry operation in MCU mode reflect Security program setting to the write protect status. The status continue after Product ID entry execution. Refer "21.2.7 Protect set up" for detail.

Table 21-4 Values to Be Read in Product ID Mode

Address	Meaning	Read value
0xF000	Vendor ID	0x98
0xF001	Flash ID	0x4D
0xFF7F	Security status	0xFF: Security program disabled Other than 0xFF: Security program enabled

21.3.5 Product ID exit

This command is used to exit the Product ID mode.

21.3.6 Security program

If the security program is enabled, the flash memory is write and read protected in parallel PROM mode, and the flash memory overwrite command and the RAM loader command cannot be executed in serial PROM mode.

To disable the security program, the chip erase must be performed. To check whether the security program is enabled or disabled, read 0xFF7F in product ID mode. Refer to Table 21-4 for further details. The time needed to enable or disable the security program is 40 μs maximum. The next command sequence cannot be executed until the security program setting is completed. To check the completion of the security program setting, perform read operations twice on the same address in the flash memory, and perform polling until the same data is read. When the security program setting is being made, bit 6 is reversed each time a read is performed.

21.4 Toggle Bit (D6)

After the flash memory write, the chip erase, and the security program command sequence are executed, the value of the 6th bit (D6) in data read by a read operation is reversed each time a read is performed. This bit reversal can be used as a software mechanism for checking the completion of each operation. Normally, perform read operations twice on the same address in the flash memory, and perform polling until the same data is read from the flash memory.

After the flash memory write, the chip erase, and the security program command sequence are executed, the toggle bit read by the first read operation is always "1".

Note 1: If FLSCR1<FLSMD> is set to "disable", the toggle bit is not reversed.

Note 2: Do not read the toggle bit by using a 16-bit transfer instruction. If the toggle bit is read using a 16-bit transfer instruction, the toggle bit does not function properly.

Note 3: Because the instruction cycle is longer than the write time in SLOW mode, the value is not reversed, even if the toggle bit is read right after the Byte Program is performed.

21.5 Access to the Flash Memory Area

A read or a program fetch cannot be performed on the whole of the flash memory area if data is being written to the flash memory, if data in flash memory is being erased or if a security setting is being made in the flash memory. When performing these operation on the flash memory area, the flash memory cannot be directly accessed by using a program in the flash memory; the flash memory must be accessed using a program in the BOOTROM area or the RAM area.

Data can be written to and read from the flash memory area in units of one byte. Data in the flash memory can be erased in units of 2, 4, or 8 kbytes, and all data in the flash memory can be erased at one stroke. A read can be performed using one memory transfer instruction. A write or erase, however, must be performed using more than one memory transfer instruction because the command sequence method is used. For information on the command sequence, refer to Table 21-1.

Note 1: To allow a program to resume control on the flash memory area that is rewritten, it is recommended that you let the program jump (return) after verifying that the program has been written properly.

Note 2: Do not reset the MCU (including a reset generated due to internal factors) when data is being written to the flash memory, data is being erased from the flash memory or the security command is being executed. If a reset occurs, there is the possibility that data in the flash memory may be rewritten to an unexpected value.

21.5.1 Flash memory control in serial PROM mode

The serial PROM mode is used to access the flash memory by using a control program provided in the BOOTROM area. Since almost all operations relating to access to the flash memory can be controlled simply using data supplied through the serial interface (UART or SIO), it is not necessary to operate the control register for the user. For details of the serial PROM mode, see "Serial PROM Mode".

To access the flash memory in serial PROM mode by using a user-specific program or peripheral functions other than UART and SIO, it is necessary to execute a control program in the RAM area by using the RAM loader command of the serial PROM mode. How to execute this control program is described in "21.5.1.1 How to transfer and write a control program to the RAM area in RAM loader mode of the serial PROM mode".

21.5.1.1 How to transfer and write a control program to the RAM area in RAM loader mode of the serial PROM mode

How to execute a control program in the RAM area in serial PROM mode is described below. A control program to be executed in the RAM area must be generated in the Intel-Hex format and be transferred using the RAM loader of the serial PROM mode.

Steps 1 and 2 shown below are controlled by a program in the BOOTROM, and other steps are controlled by a program transferred to the RAM area. The following procedure is linked with a program example to be explained later.

1. Transfer the write control program to the RAM area in RAM loader mode.
2. Jump to the RAM area.
3. Set a nonmaskable interrupt vector in the RAM area.
4. Set FLSCR1<FLSMD> to "0y101", and specify the area to be erased by making the appropriate FLSCR1<FAREA> setting. (Make the appropriate FLSCR1<ROMSEL> setting as required.) Then set "0xD5" on FLSCR2<CR1EN>.
5. Execute the erase command sequence.
6. Read the same flash memory address twice consecutively. (Repeat step 6 until the read values become the same.)
7. Specify the area (area erased in step 5 above) to which data is written by making the appropriate FLSCR1<FAREA> setting. (Make the appropriate FLSCR1<ROMSEL> setting as required.) Then set "0xD5" on FLSCR2<CR1EN>.
8. Execute the write command sequence.
9. Read the same flash memory address twice consecutively. (Repeat step 9 until the read values become the same.)

10. Set FLSCR1<FLSMD> to "0y010", and then set "0xD5" on FLSCR2<CR1EN> (to disable the execution of the command sequence).

Note 1: If the RAM loader is used in serial PROM mode, the BOOTROM disables (DI) a maskable interrupt, and the interrupt vector area is designated as a RAM area (SYSCR3<RVCTR>="1"). Considering that a nonmaskable interrupt may be generated unexpectedly, it is recommended that vector addresses corresponding these interrupts (INTUNDEF, INTSWI: 0x01F8 to 0x01F9, WDT: 0x01FC to 0x01FD) be established and that an interrupt service routine be defined inside the RAM area.

Note 2: If a certain interrupt is used in the RAM loader program, a vector address corresponding to that interrupt and the interrupt service routine must be established inside the RAM area. In this case, it is recommended that a nonmaskable interrupt be handled as explained in Note 1.

Note 3: Do not set SYSCR3<RVCTR> to "0" by using the RAM loader program. If an interrupt occurs with SYSCR3<RVCTR> set to "0", the BOOTROM area is referenced as a vector address and, therefore, the program will not function properly.

Example: A case in which a program is transferred to RAM, the sector erase is performed on Block7 (0xE000 to 0xFFFF) in the code area, and then data of 0x3F is written to 0xE500.

If nonmaskable interrupts (INTSWI, INTUNDEF or INTWDT) occur during erase and writing to flash memory, system clock reset is generated.

main section code abs = 0x0100

```

##### Set a nonmaskable interrupt vector inside the RAM area ##### (step 3)
        LD        HL,0x01FC            ; Set INTUNDEF and INTSWI interrupt vectors
        LDW       (HL),sINTSWI
        LD        HL,0x01F8            ; Set INTWDT interrupt vector
        LDW       (HL),sINTWDT

##### Sector erase and write process #####
        LD        HL,0xF555            ; Variable for command sequence
        LD        DE,0xFAAA            ; Variable for command sequence

; Sector erase process (step 5)
        LD        C,0x00                ; Set upper address
        LD        IX,0xE000            ; Set middle and lower addresses
        CALL     sSectorErase          ; Perform a sector erase Block7 (0xE000 to 0xFFFF)

; Write process (step 8)
        LD        C,0x00                ; Set upper address
        LD        IX,0xE500            ; Set middle and lower addresses
        LD        B,0x3F                ; Data to be written
        CALL     sByteProgram          ; Write process (0xE500)

##### Execute the next main program #####
        :        :                        ; Execute the main program
        J        XXXXX

##### Program to be executed in RAM #####
sSectorErase:  CALL     sAddConv          ; Address conversion process
; Sector erase process
        LD        (HL),E                ; 1st Bus Write Cycle (note 1)
        LD        (DE),L                ; 2nd Bus Write Cycle (note 1)
        LD        (HL),0x80            ; 3rd Bus Write Cycle (note 1)
        LD        (HL),E                ; 4th Bus Write Cycle (note 1)
        LD        (DE),L                ; 5th Bus Write Cycle (note 1)
        LD        (IX),0x30            ; 6th Bus Write Cycle (note 1)
        J        sRAMopEnd

; Write process
sByteProgram: CALL     sAddConv          ; Convert address
        LD        (HL),E                ; 1st Bus Write Cycle (note 1)
        LD        (DE),L                ; 2nd Bus Write Cycle (note 1)
        LD        (HL),0xA0            ; 3rd Bus Write Cycle (note 1)
        LD        (IX),B                ; 4th Bus Write Cycle (note 1)

```

```

; End process
sRAMopEnd  NOP                ; (note 2)
           NOP                ; (note 2)
           NOP                ; (note 2)
sLOOP1:    LD      A,(IX)      ; (step 6,9)
           CMP    A,(IX)
           J      NZ,sLOOP1    ; Loop until the read values become the same
           LD    (FLSCR1),0x40 ; Disable the execution of command sequence (step 10)
           LD    (FLSCR2),0xD5 ; Reflect the FLSCR1 setting
           RET                    ; Return to the program in RAM

; Convert address (steps 4 and 7)
sAddConv:  LD      WA,IX
           SWAP   C
           AND   C,0x10
           SWAP   W
           AND   W,0x08
           OR    C,W
           XOR   C,0x08
           SHRC  C
           OR    C,0xA0
           LD    (FLSCR1),C    ; Enable the execution of command sequence. Make the
                               ; FAREA setting.
           LD    (FLSCR2),0xD5 ; Reflect the FLSCR1 setting
           LD    WA,IX
           TEST  C,3
           J      Z,sAddConvEnd
           OR    W,0x80
           LD    IX,WA
sAddConvEnd: RET

; Interrupt subroutine
sINTWDT:
sINTSWI:   LD      IX,0xF000
           LD      A,(IX)
           CMP    A,(IX)
           J      NZ,sINTWDT   ; Loop until the read values become the same
           LD    (SYSCR2),0x10 ; Generate system clock reset
           RETN

```

Note 1: In using a write instruction in the xxx bus write cycle, make sure that you use a write instruction of more than three machine cycles or arrange write instructions in such a way that they are generated at intervals of three or more machine cycles. If a 16-bit transfer instruction is used or if write instructions are executed at intervals of two machine cycles, the flash memory command sequence will not be transmitted properly, and a malfunction may occur.

Note 2: If a read of the flash memory (toggle operation) is to be performed after a write instruction is generated in the xth bus write cycle, instructions must be arranged in such a way that they are generated at intervals of three or more machine cycles; machine cycles are counted from when the last xth bus write cycle is generated to when each instruction is generated. Three NOP instructions are normally used. If the interval between instructions is short, the toggle bit does not operation correctly.

21.5.2 Flash memory control in MCU mode

In MCU mode, a write can be performed on the flash memory by executing a control program in RAM or using a support program (API) provided inside BOOTROM.

21.5.2.1 How to write to the flash memory by transferring a control program to the RAM area

This section describes how to execute a control program in RAM in MCU mode. A control program to be executed in RAM must be acquired and stored in the flash memory or it must be imported from an outside source through a communication pin. (The following procedure assumes that a program copy is provided inside the flash memory.)

Steps 1 through 5 and 11 shown below concern the control by a program in the flash memory, and other steps concern the control by a program transferred to RAM. The following procedure is linked with a program example to be described later.

1. Set the interrupt master enable flag to "disable (DI)" ($IMF \leftarrow "0"$).
2. Transfer the write control program to RAM.
3. Establish the nonmaskable interrupt vector in the RAM area.
4. After setting both SYSCR3<RAREA> and SYSCR3<RVCTR> to "1", set "0xD4" on SYSCR4. Then allocate RAM to the code area, and switch the vector area to the RAM area.
5. Invoke the erase processing program in the RAM area by generating a CALL instruction.
6. Set FLSCR1<FLSMD> to "0y101", and specify the area to be erased by making the appropriate FLSCR1<FAREA> setting. (Make the appropriate FLSCR1<ROMSEL> setting, as necessary.) Then set "0xD5" on FLSCR2<CR1EN>.
7. Execute protect set up and the erase command sequence.
8. Perform a read on the same address in the flash memory twice consecutively. (Repeat this step until the read values become the same.)
9. After setting FLSCR1<FLSMD> to "0y010" and FLSCR1<FAREA> to "0y00", set "0xD5" on FLSCR2<CR1EN>. (This disables the execution of the command sequence and returns FAREA to the initial state of mapping.)
10. Generate the RET instruction to return to the flash memory.
11. Invoke the write program in the RAM area by generating a CALL instruction.
12. Set FLSCR1<FLSMD> to "0y101", and make the appropriate FLSCR1<FAREA> setting to specify the area (area erased by performing step 7 above) on which a write is to be performed. (Make the appropriate FLSCR1<ROMSEL> setting, as necessary.) Then set "0xD5" on FLSCR2<CR1EN>.
13. Execute the write command sequence.
14. Perform a read on the same address in the flash memory twice consecutively. (Repeat this step until the read values become the same.)
15. After setting FLSCR1<FLSMD> to "0y010" and FLSCR1<FAREA> to "0y00", set "0xD5" on FLSCR2<CR1EN>. (This disables the execution of the command sequence and returns FAREA to the initial state of mapping.)
16. Generate the RET instruction to return to the flash memory.
17. After setting both SYSCR3<RAREA> and SYSCR3<RVCTR> to "0", set "0xD4" on SYSCR4. Then release RAM allocation for the code area, and switch the vector area to the flash area.

Note 1: Before writing data to the flash memory from the RAM area in MCU mode, the vector area must be switched to the RAM area by using SYSCR3<RVCTR>, data must be written to the vector addresses (INTUNDEF, INTSWI: 0x01F8 to 0x01F9, INTWDT: 0x01FC to 0x01FD) that correspond to nonmaskable interrupts, and the interrupt subroutine (RAM area) must be defined. This allows you to trap the errors that may occur due to an unexpected nonmaskable interrupt during a write. If SYSCR3<RVCTR> is set in the flash memory area and if an unexpected interrupt occurs during a write, a malfunction may occur because the vector area in the flash memory cannot be read properly.

Note 2: Before using a certain interrupt in MCU mode, the vector address corresponding to that interrupt and the interrupt service routine must be established inside the RAM area. In this case, the nonmaskable interrupt setting must be made, as explained in Note 1.

Note 3: Before jumping from the flash memory to the RAM area, RAM must be allocated to the code area by making the appropriate SYSCR3<RAREA> setting (setting made in step 4 in the procedure described on the previous page).

Example: Case in which a program is transferred to RAM, a sector erase is performed on Block7 (0xE000 to 0xFFFF) in the code area, and then 0x3F data is written to 0xE500.

If nonmaskable interrupts (INTSWI, INTUNDEF or INTWDT) occur, system clock reset is generated.

```

        cRAMStartAdd equ 0x0200          ; RAM start address
main section code abs = 0x8000
        DI                              ; Disable interrupts (step 1)
; ##### Transfer the program to RAM ##### (step 2)
        LD        HL,cRAMStartAdd
        LD        IX,sRAMprogStart
sRAMLOOP: LD        A,(IX)              ; Transfer the program from sRAMprogStart to
        LD        (HL),A              ; sRAMprogEnd to cRAMStartAdd.
        INC        HL
        INC        IX
        CMP        IX,sRAMprogEnd
        J         NZ,sRAMLOOP
; ##### Set a nonmaskable interrupt vector inside the RAM area ##### (step 3)
        LD        HL,0x01FC           ; Set INTUNDEF and INTSWI interrupt vectors
        LDW       (HL),sINTSWI - sRAMprogStart + cRAMStartAdd
        LD        HL,0x01F8           ; Set INTWDT interrupt vector
        LDW       (HL),sINTWDT - sRAMprogStart + cRAMStartAdd
; ##### Allocate RAM to the code area. Switch the vector area to RAM ##### (step 4)
        LD        (SYSCR3),0x06       ; Set RAREA and RVCTR to "1"
        LD        (SYSCR4),0xD4       ; Enable Code
; ##### Sector erase and write process #####
        LD        HL,0xF555           ; Variable for command sequence
        LD        DE,0xFAAA           ; Variable for command sequence
; Sector erase process (step 5)
        LD        C,0x00              ; Set upper addresses
        LD        IX,0xE000           ; Set middle and lower addresses (Block7)
        CALL      sSectorErase - sRAMprogStart + cRAMStartAdd
                                          ; Perform a sector erase (Block7)
; Write process (step 11)
        LD        C,0x00              ; Set upper addresses
        LD        IX,0xE500           ; Set middle and lower addresses
        LD        B,0x3F              ; Data to be written
        CALL      sByteProgram - sRAMprogStart + cRAMStartAdd
                                          ; Write process (0xE500)
; ##### Allocate RAM to the code area. Switch the vector area to RAM ##### (step 17)
        LD        (SYSCR3),0x00       ; Set RAREA and RVCTR to "0"
        LD        (SYSCR4),0xD4       ; Enable Code
; ##### Execute the next main program #####
        :          :                  ; Execute the main program
        J         XXXXX
; ##### Program to be executed in RAM #####
sRAMprogStart:
        NOP
                                          ; Fail-safe process
        NOP
        NOP

```



```

NOP
NOP
LD      (SYSCR2),0x10      ; Generate system clock reset
sSectorErase:  CALL      sAddConv - sRAMprogStart + cRAMStartAdd
                                           ; Address conversion process
; Protect set up process (step 7)
LD      (HL),E             ; 1st Bus Write Cycle (note 1)
LD      (DE),L             ; 2nd Bus Write Cycle (note 1)
LD      (HL),0x90          ; 3rd Bus Write Cycle (note 1)
NOP
LD      (HL),0xF0          ; 1st Bus Write Cycle (note 1)
NOP
; Sector erase process (step 7)
LD      (HL),E             ; 1st Bus Write Cycle (note 1)
LD      (DE),L             ; 2nd Bus Write Cycle (note 1)
LD      (HL),0x80          ; 3rd Bus Write Cycle (note 1)
LD      (HL),E             ; 4th Bus Write Cycle (note 1)
LD      (DE),L             ; 5th Bus Write Cycle (note 1)
LD      (IX),0x30          ; 6th Bus Write Cycle (note 1)
J       sRAMopEnd
; Write process (step 13)
sByteProgram:  CALL      sAddConv - sRAMprogStart + cRAMStartAdd
                                           ; Address conversion process
LD      (HL),E             ; 1st Bus Write Cycle (note 1)
LD      (DE),L             ; 2nd Bus Write Cycle (note 1)
LD      (HL),0xA0          ; 3rd Bus Write Cycle (Note 1)
LD      (IX),B             ; 4th Bus Write Cycle (note 1)
; End process
sRAMopEnd:    NOP          ; (note 2)
NOP          ; (note 2)
NOP          ; (note 2)
sLOOP1:      LD      A,(IX) ; (steps 8,14)
CMP         A,(IX)
J         NZ,sLOOP1      ; Loop until the read values become the same
LD      (FLSCR1),0x40    ; Disable the execution of command sequence
                                           ; (steps 9 and 15)
LD      (FLSCR2),0xD5    ; Reflect the FLSCR1 setting
RET         ; Return to flash memory
; Address conversion process (steps 6 and 12)
sAddConv:    LD      WA,IX
SWAP       C
AND        C,0x10
SWAP       W
AND        W,0x08
OR         C,W
XOR        C,0x08
SHRC      C
OR         C,0xA0
LD      (FLSCR1),C      ; Enable the execution of command sequence. Make the
                                           ; FAREA setting.
LD      (FLSCR2),0xD5    ; Reflect the FLSCR1 setting

```

```

                LD        WA,IX
                TEST     C.3
                J        Z,sAddConvEnd
                OR       W,0x80
                LD       IX,WA
sAddConvEnd:   RET
; Interrupt subroutine
sINTWDT:
sINTSWI:      LD        IX,0xF000
                LD       A,(IX)
                CMP     A,(IX)
                J        NZ,sINTWDT           ; Loop until the read values become the same
                LD       (SYSCR2),0x10      ; Generate system clock reset
                RETN
sRAMprogEnd:  NOP

```

Note 1: In using a write instruction in the xxx bus write cycle, make sure that you use a write instruction of more than three machine cycles or arrange write instructions in such a way that they are generated at intervals of three or more machine cycles. If a 16-bit transfer instruction is used or if write instructions are executed at intervals of two machine cycles, the flash memory command sequence will not be transmitted properly, and a malfunction may occur.

Note 2: If a read of the flash memory (toggle operation) is to be performed after a write instruction is generated in the xth bus write cycle, instructions must be arranged in such a way that they are generated at intervals of three or more machine cycles; machine cycles are counted from when the last xth bus write cycle is generated to when each instruction is generated. Three NOP instructions are normally used. If the interval between instructions is short, the toggle bit does not operation correctly.

21.5.2.2 How to write to the flash memory by using a support program (API) of BOOTROM

TMP89FM82 has following support program (API) inside BOOTROM. The following shows how to perform an erase and a write on the flash memory by using a support program (API) of BOOTROM in MCU mode. For details, please refer to "21.6 API (Application Programming Interface)".

Steps 1 through 18 shown below concern the control by a program in the flash memory.

1. Transfer the subroutine program of nonmaskable interrupt (INTSWI, INTWDT) to RAM.
2. Establish the nonmaskable interrupt vector in the RAM area.
3. After setting both SYSCR3<RAREA> and SYSCR3<RVCTR> to "1", set "0xD4" on SYSCR4, to allocate RAM to the code area, and switch the vector area to the RAM area.
4. Set "0xD5" on FLSCR2<CR1EN> after setting FLSCR1<BAREA> to "1".
5. Set "0xD5" to A register as an enable code.
6. Set "0x00" to C register.
7. Call address (0x1016). (to execute Security set up by reading Security Program information. Security Program status is stored in A register as return value.)
8. Set A register the address range where the data erase. For example, set "0x38" for address 0xE000 to 0xFFFF erase.
9. Set "0xD5" to C register as an enable code.
10. Call address (0x1012). (to execute Sector erase. Step 8 to 10 is not necessary in case of obvious ease.)
11. Set "0x00" to C register.
12. Set write address A[15:0] to WA register.
13. Set write data to E register.
14. Set "0xD5" to (SP-) as an enable code.
15. Call address (0x1010). (to execute Byte Program.)
16. If programing is continued for other address, return to step 11.
17. Set "0xD5" to FLSCR2 after setting FLSCR1<BAREA> to "0".
18. Set "0xD4" to SYSCR4 after setting SYSCR3<RAREA, RVCTR> to "0".

Example: Case in which a sector erase is performed on Block7 (0xE000 to 0xFFFF) in the data area, and then data at 0x0100 through 0x01FF is written to 0xE000 through 0xE0FF in the data area.

If nonmaskable interrupts (INTSWI, INTUNDEF or INTWDT) occur during erase or writing data, system clock reset is generated. For this example, Security Program setting is assumed to be off.

```

.BTWrite      equ 0x1010          ; Write data to the flash memory
.BTEraseSec   equ 0x1012          ; Sector Erase
.BTEraseChip  equ 0x1014          ; Chip Erase
.BTGetRP      equ 0x1016          ; Check the status of the security program
.BTSetRP      equ 0x1018          ; Configure the security program

cRAMStartAdd equ 0x0200          ; RAM start address

main section code abs = 0x8000

;#### Transfer the program to RAM ####
LD          HL,cRAMStartAdd
LD          IX,sRAMprogStart
sRAMLOOP:  LD          A,(IX)          ; Transfer the program from sRAMprogStart to
LD          (HL),A          ; sRAMprogEnd to cRAMStartAdd.
INC        HL
INC        IX
CMP        IX,sRAMprogEnd
J          NZ,sRAMLOOP

;#### Set a nonmaskable interrupt vector inside the RAM area ####
LD          HL,0x01FC          ; Set INTUNDEF and INTSWI interrupt vectors

```

```

LDW      (HL),sINTSWI - sRAMprogStart + cRAMStartAdd
LD       HL,0x01F8           ; Set INTWDT interrupt vector
LDW      (HL),sINTWDT - sRAMprogStart + cRAMStartAdd
; ##### Allocate RAM to the code area. Switch the vector area to RAM #####
LD       (SYSCR3),0x06       ; Set RAREA and RVCTR to "1"
LD       (SYSCR4),0xD4       ; Enable Code
; ##### Allocate BOOTROM to the data/code area #####
LD       (FLSCR1),0x50       ; Set BAREA to "1" (note)
LD       (FLSCR2),0xD5       ; Reflect the FLSCR1 setting
; ##### Protect set up process(API) #####
LD       A,0xD5
LD       C,0x00
CALL     (.BTGetRP)           ; read Security Program information (Protect set up)
; ##### Sector erase process (API) #####
LD       A,0x38             ; Specify the area to be erased (Block7)
LD       C,0xD5             ; Enable Code
CALL     (.BTEraseSec)       ; Execute sector erase
; ##### Write process #####
LD       HL,0xE000           ; Flash start address (address where data is written)
LD       IY,0x0100          ; RAM start address
sLOOP1:
LD       C,0x00             ; Address where data is written (bit 16)
LD       WA,HL              ; Address where data is written (bits 15 to 0)
LD       E,(IY)             ; Data to be written
LD       (SP-),0xD5         ; Enable Code
CALL     (.BTWrite)         ; Write data to the flash memory (1 byte)
INC      IY                  ; Increment flash address
INC      HL                  ; Increment RAM address
CMP      L,0x00             ; Finish 256-byte write?
J        NZ,sLOOP1         ; Return to sLOOP1 if the number of bytes is less than 256
; ##### End process #####
LD       (FLSCR1),0x40       ; Set BAREA to "0"
LD       (FLSCR2),0xD5
LD       (SYSCR3),0x00       ; Set RAREA and RVCTR to "0"
LD       (SYSCR4),0xD4       ; Enable Code
:       :
J        XXXX
; ##### Program to be executed in RAM #####
sRAMprogStart:
; Interrupt subroutine
sINTWDT:
sINTSWI: LD       IX,0xF000
LD       A,(IX)
CMP      A,(IX)
J        NZ,sINTWDT         ; Loop until the read values become the same
LD       (SYSCR2),0x10       ; Generate system clock reset
RETN
sRAMprogEnd: NOP

```

Note 1: It is not necessary to add DI instruction for above example program, because the support program include it. However, the support program does not include EI instruction. Therefore, if interrupt process is used, enable IMF after finishing all above process.

21.5.2.3 How to set the security program by using a support program (API) of BOOTROM

1. Transfer the subroutine program of nonmaskable interrupt (INTSWI, INTWDT) to RAM.
2. Establish the nonmaskable interrupt vector in the RAM area.
3. After setting both SYSCR3<RAREA> and SYSCR3<RVCTR> to "1", set "0xD4" on SYSCR4. Then allocate RAM to the code area, and switch the vector area to the RAM area.
4. Set "0xD5" on FLSCR2<CR1EN> after setting FLSCR1<BAREA> to "1".
5. Set "0xD5" to A register as enable code.
6. Set "0x00" to C register.
7. Call address (0x1016). (After processing, security program state returns to A register.)
8. If A register is not "0xFF", jump to sSKIP because security program is already set.
9. Set "0xD5" to A register as enable code.
10. Set "0x00" to C register.
11. Call address (0x1016). (Security program is performed.)
12. Set "0xD5" to FLSCR2 after setting FLSCR1<BAREA> to "0".
13. Set "0xD4" to SYSCR4 after setting SYSCR3<RAREA, RVCTR> to "0".

Example: Whether the security program is enabled or disabled is checked. If it is disabled, it is enabled.

```

        .BTWrite      equ 0x1010          ; Write data to the flash memory
        .BTEraseSec  equ 0x1012          ; Sector Erase
        .BTEraseChip equ 0x1014          ; Chip Erase
        .BTGetRP     equ 0x1016          ; Check the status of the security program
        .BTSetRP     equ 0x1018          ; Enable the security program

        cRAMStartAdd equ 0x0200          ; RAM start address

main section code abs = 0xF000
; #### Transfer the program to RAM ####
        LD          HL,cRAMStartAdd
        LD          IX,sRAMprogStart
sRAMLOOP: LD        A,(IX)                ; Transfer the program from sRAMprogStart to
        LD          (HL),A                ; sRAMprogEnd to cRAMStartAdd.
        INC        HL
        INC        IX
        CMP        IX,sRAMprogEnd
        J          NZ,sRAMLOOP
; #### Set a nonmaskable interrupt vector inside the RAM area ####
        LD          HL,0x01FC            ; Set INTUNDEF and INTSWI interrupt vectors
        LDW        (HL),sINTSWI - sRAMprogStart + cRAMStartAdd
        LD          HL,0x01F8            ; Set INTWDT interrupt vector
        LDW        (HL),sINTWDT - sRAMprogStart + cRAMStartAdd
; #### Allocate RAM to the code area. Switch the vector area to RAM ####
        LD          (SYSCR3),0x06        ; Set RAREA and RVCTR to "1"
        LD          (SYSCR4),0xD4        ; Enable Code
; #### Allocate BOOTROM to the data/code area ####
        LD          (FLSCR1),0x50        ; Set BAREA to "1"
        LD          (FLSCR2),0xD5        ; Reflect the FLSCR1 setting
; #### Check the status of the security program ####

```

```

LD      A,0xD5          ; Enable Code
LD      C,0x00         ; Set 0x00 (note 1)
CALL    (.BTGetRP)     ; Check the status of the security program
CMP     A,0xFF
J       NZ,sSKIP      ; Go to sSKIP if the security program is enabled
; ##### Security program enable process (API) #####
LD      A,0xD5          ; Enable Code
LD      C,0x00         ; Set 0x00 (note 1)
CALL    (.BTSetRP)     ; Enable the security program
sSKIP   LD      (FLSCR1),0x40 ; Set BAREA to "0"
LD      (FLSCR2),0xD5
LD      (SYSCR3),0x00   ; Set RAREA and RVCTR to "0"
LD      (SYSCR4),0xD4   ; Enable Code
:       :
J       XXXX
; ##### Program to be executed in RAM #####
sRAMprogStart:
; Interrupt subroutine
sINTWDT:
sINTSWI: LD      IX,0xF000
LD      A,(IX)
CMP     A,(IX)
J       NZ,sINTWDT     ; Loop until the read values become the same
LD      (SYSCR2),0x10  ; Generate system clock reset
RETN
sRAMprogEnd:  NOP

```

Note 1: Make sure that you set the C register to "0x00".

Note 2: It is not necessary to add DI instruction for above example program, because the support program include it. However, the support program does not include EI instruction. Therefore, if interrupt process is used, enable IMF after finishing all above process.

21.5.2.4 How to read data from flash memory

To read data from flash memory, execute transfer instruction for memory. It is possible to read the corresponding individual data (include data of code area) to each address in flash memory, if FLSCR1<FAREA> and FLSCR2 is selected properly.

Example: Case in which data is read from 0xF000 in the code area and stored at 0x98 in RAM

```

LD      (FLSCR1),0xA8   ; Select AREA C1
LD      (FLSCR2),0xD5   ; Reflect the FLSCR1 setting
LD      A,(0xF000)     ; Read data from 0xF000
LD      (0x98),A       ; Store data at 0x98
LD      (FLSCR1),0x40   ; Select AREA D0
LD      (FLSCR2),0xD5   ; Reflect the FLSCR1 setting

```

21.6 API (Application Programming Interface)

The BOOTROM has a support program (API) which contains a special subroutine for erasing or writing on the flash memory. After mapping of the BOOTROM, it allows easy erasing or writing on the flash memory by only calling the subroutine in BOOTROM. The Table 21-5 shows the list of API.

Table 21-5 List of API

Address	Contents	Using Stack (Note2)	Working Register (Note1)	Argument		Return value		
				Register	Setting Value	Register	Contents	
0x1010 (.BTWrite)	Writing the data to specified address of one byte.	7bytes	WA BC DE IX	WA	Specify the address to be written.	-	-	-
				C	0x00			
				E	Specify the data to be written.			
				(SP-)	0xD5 (Enable Code)			
0x1012 (.BTEraseSec)	Erasing the specified one sector.	4bytes	WA BC DE IX	A	Specify the sector to be erased.	-	-	-
				C	0xD5 (Enable Code)			
0x1014 (.BTEraseChip)	Executing the Chip Erase.	6bytes	WA BC DE IX	A	0xD5 (Enable Code)	-	-	-
				C	0x00			
0x1016 (.BTGetRP)	Getting the status of Security Program.	6bytes	WA BC DE IX	A	0xD5 (Enable Code)	A	0xFF	Security Program disabled.
				C	0x00		Other than 0xFF	Security Program enabled.
0x1018 (.BTSetRP)	Setting the Security Program.	6bytes	WA BC DE IX	A	0xD5 (Enable Code)	-	-	-
				C	0x00			
0x101E (.BTCalcUART)	Calculating the setting for UART (Baud rate) from the captured value by timer counter.	4bytes	WA BC DE IX IY	WA	Captured value by timer counter	W	Setting value for RTSEL	
				C	The number of bit for calculation.		A	Setting value for UARTDR

- Note 1: Because working registers (general-purpose registers) are rewritten in the support program, the contents of general-purpose registers should be saved before calling the support program.
- Note 2: While the support program is executed, a maximum 7 bytes are used as stack which doesn't include the stack used by interrupts. Therefore, be sure to reserve a stack area beforehand.
- Note 3: Each API works properly without the setting Enable Code (0xD5) as argument. However, it is recommended to set the Enable Code (0xD5) to keep compatibility in the family products.

21.6.1 .BTWrite

Data in E register is written into the address specified by WA register. C register should be written 0x00 and (SP-) should be written Enable Code (0xD5) before calling the subroutine.

21.6.2 .BTEraseSec

The sector specified by A register is erased. C register should be written Enable Code (0xD5) before calling the subroutine. "Table 21-6 Erased Sector by setting of A register" shows the sector erased by this API.

Table 21-6 Erased Sector by setting of A register

A register	Erased area
0x20 0x21	0x8000 to 0x87FF (Block1)
0x22 0x23	0x8800 to 0x8FFF (Block2)
0x24 0x25 0x26 0x27	0x9000 to 0x9FFF (Block3)
0x28 0x29 0x2A 0x2B	0xA000 to 0xFFFF (Block4)
0x2C 0x2D 0x2E 0x2F	0xB000 to 0xBFFF (Block5)
0x30 0x31 0x32 0x33 0x34 0x35 0x36 0x37	0xC000 to 0xDFFF (Block6)
0x38 0x39 0x3A 0x3B 0x3C 0x3D 0x3E 0x3F	0xE000 to 0xFFFF (Block7)
Others	Reserved

Note:Reserved : Do not set the reserved data into A register. Unexpected sector might be erased by the reserved data setting.

21.6.3 .BTEraseChip

All flash memory area is erased. C register should be written 0x00 and A register should be written Enable Code (0xD5) before calling the subroutine.


21.6.4 .BTGetSP

The security status of flash memory can be read out. C register should be written 0x00 and A register should be written Enable Code (0xD5) before calling the subroutine.

After completion of the execution, API returns A register with the contents of 0xFF7F (security status) in Product ID as return value.

21.6.5 .BTSetSP

The setting of security program can be executed by this API. C register should be written 0x00 and A register should be written Enable Code (0xD5) before calling the subroutine.



21.6.6 .BTCalcUART

This API calculates the proper setting for baud rate of UART from the value of C and WA register. Generally, 8 bits data (0x80) of UART is captured by 16-bit timer counter which is set to pulse width measurement mode. In this case, the timer counter input pin should be assigned to RXD pin. And stores the captured value in WA register. Be sure to select fcgck/2 as the source clock for 16-bit timer counter and capture the length of 8 bits. C register should be written 0x08.

RXD pin can be used as TCA pin. To capture the value, please select the pin as TCA pin by SERSEL<TCA0SEL> temporarily. After capturing, be sure to resume the pin to RXD pin.

The possible value for WA register as argument is from 0x0020 to 0x3BFF. If the contents of WA register is out of the area 0x0020 to 0x3BFF, the API returns WA register with 0xFFFF as return value.

In the return value of WA register, W register bits 5, 4 and 3 are for the value UARTCR2<RTSEL> and the return value of A register is the data from UARTDR. Because the W register another bits 7, 6, 2, 1 and 0 are "0", it is necessary to set the proper value for UARTCR2<RXDNC, STOPBR>.

Note 1: If the captured value of WA register is little even though the value is within 0x0020 to 0x3BFF, the proper setting may not be gotten.

The following procedure shows example how to calculate the baud rate for UART in MCU mode by using support program.

1. By serial interface selection control register SERSEL<TCA0SEL>, assign TCA pin to RXD pin.
2. Set 16-bit timer counter to pulse width measurement mode. And set falling edge/L level as an external trigger and select fcgck/2 as the source clock.
3. Receive data (0x80) via RXD pin and capture it by 16-bit timer counter. In this case, enabling of UART is no need.
4. Write the captured value into WA register. Because general-purpose registers (DE, BC, IX, IY) are rewritten in the support program, the contents of these registers should be saved before calling the support program.
5. Set the interrupt master enable flag to "disable (DI)" (IMF ← "0").
6. Set "0xD5" on FLSCR2<CR1EN> after setting FLSCR1<BAREA> to "1".
7. Set "0x08" to C register as the number of bit.
8. Call address (0x101E).
9. Set bits 5, 4 and 3 of W register into UARTCR2<RTSEL> and set the contents of A register to UARTDR. If the value of WA register is 0xFFFF which indicates an error of calculation, retry the execution from receiving data (0x80).
10. Set "0xD5" to FLSCR2 after setting FLSCR1<BAREA> to "0".

Note 1: If general-purpose registers (WA, BC, DE, IX, IY) are used in non-maskable interrupt subroutine, occurring of non-maskable interrupt may cause unexpected result.

Note 2: With success of calculation, this API returns "0" into bits 7, 6, 2, 1 and 0 as return value. Therefore, set proper value for these bits to set UART0CR2<RXDNC> and UART0CR2<STOPBR>.

22. Serial PROM Mode

22.1 Outline

The TMP89FM82 has a 4K-byte BOOTROM (Mask ROM) for programming to flash memory. BOOTROM is available in serial PROM mode. The serial PROM mode is controlled by RXD0/SI0 pins, TXD0/SO0 pins, MODE pin, and $\overline{\text{RESET}}$ pin. In serial PROM mode, communication is performed via the UART or SIO.

Table 22-1 Operating Range in Serial PROM Mode

Parameter	Min	Max	Unit
Power supply voltage	4.5	5.5	V
High frequency	1	8	MHz

22.2 Security


In serial PROM mode, two security functions are provided to prevent illegal memory access attempts by a third party: password and security program functions. For more security-related information, refer to "22.12 Security".

22.3 Serial PROM Mode Setting

22.3.1 Serial PROM mode control pins

To execute on-board programming, activate the serial PROM mode. Table 22-2 shows the pin setting used to activate the serial PROM mode.

Table 22-2 Serial PROM Mode Setting

Pin	Setting
RXD0 / SI0 / P21 pin	H level
TXD0 / SO0 / P20 pin	H level
MODE, $\overline{\text{RESET}}$ pin	

Note: Before you activate the serial PROM mode, you must set the RXD0/SI0/P21 and TXD0/SO0/P20 pins to high (H) level by using a pull-up resistor.

Table 22-3 Pin Functions in Serial PROM Mode

Pin name (in serial PROM mode)	Input/output	Function	Pin name (in MCU mode)
TXD0 / SO0	Output	Serial PROM mode control/serial data output	TXD0 / SO0 / P20
RXD0 / SI0	Input	Serial PROM mode control/serial data input	RXD0 / SI0 / P21
$\overline{\text{RESET}}$	Input	Serial PROM mode control	$\overline{\text{RESET}}$
MODE	Input	Serial PROM mode control	MODE
SCLK0	Input	Serial clock input (if SIO is used) These ports are in the high-impedance state in the serial PROM mode. If the UART is used, the port input is physically fixed to a specified input level in order to prevent a penetration current. To enable the port input, the SPCR<PIN1> must be set to "1" by operating the RAM loader control program.	(See note 1) SCLK0
VDD	Power supply	4.5v to 5.5v	
AVDD	Power supply	Connect to VDD.	
VSS	Power supply	0 V	
AVSS	Power supply	Connect to VSS.	
VAREF	Power supply	Leave open or apply reference voltage.	
Input/output port other than RXD0 and TXD0	Input/output	These ports are in the high-impedance state in the serial PROM mode. The port input is physically fixed to a specified input level in order to prevent a penetration current (the port input is disabled). To enable the port input, the SPCR<PIN0> must be set to "1" by operating the RAM loader control program.	
XIN	Input	Connect a resonator to make these pins self-oscillate.	
XOUT	Output		

Note 1: If other parts are mounted on a user board, they may interfere with data being communicated through these communication pins during on-board programming. It is recommended that these parts be somehow isolated to prevent the pins from being affected.

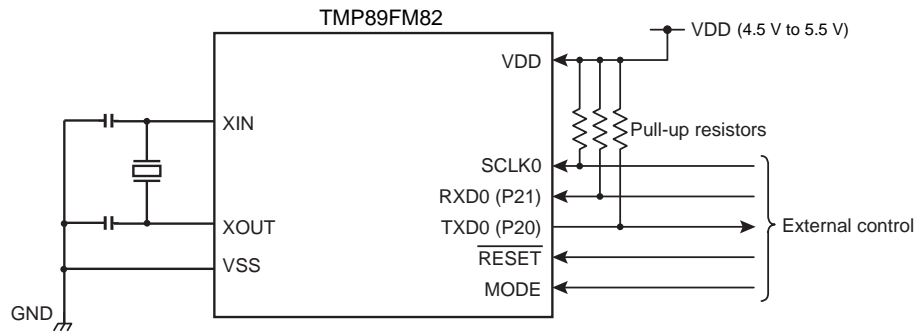


Figure 22-1 Serial PROM Mode Pin Setting

Note 1: In the case of access using the UART, the control of the SCLK0 pin is unnecessary.

Note 2: For information on other pin settings, refer to "Table 22-3 Pin Functions in Serial PROM Mode".



22.4 Example Connection for On-board Writing

Figure 22-2 shows example connections to perform on-board writing.

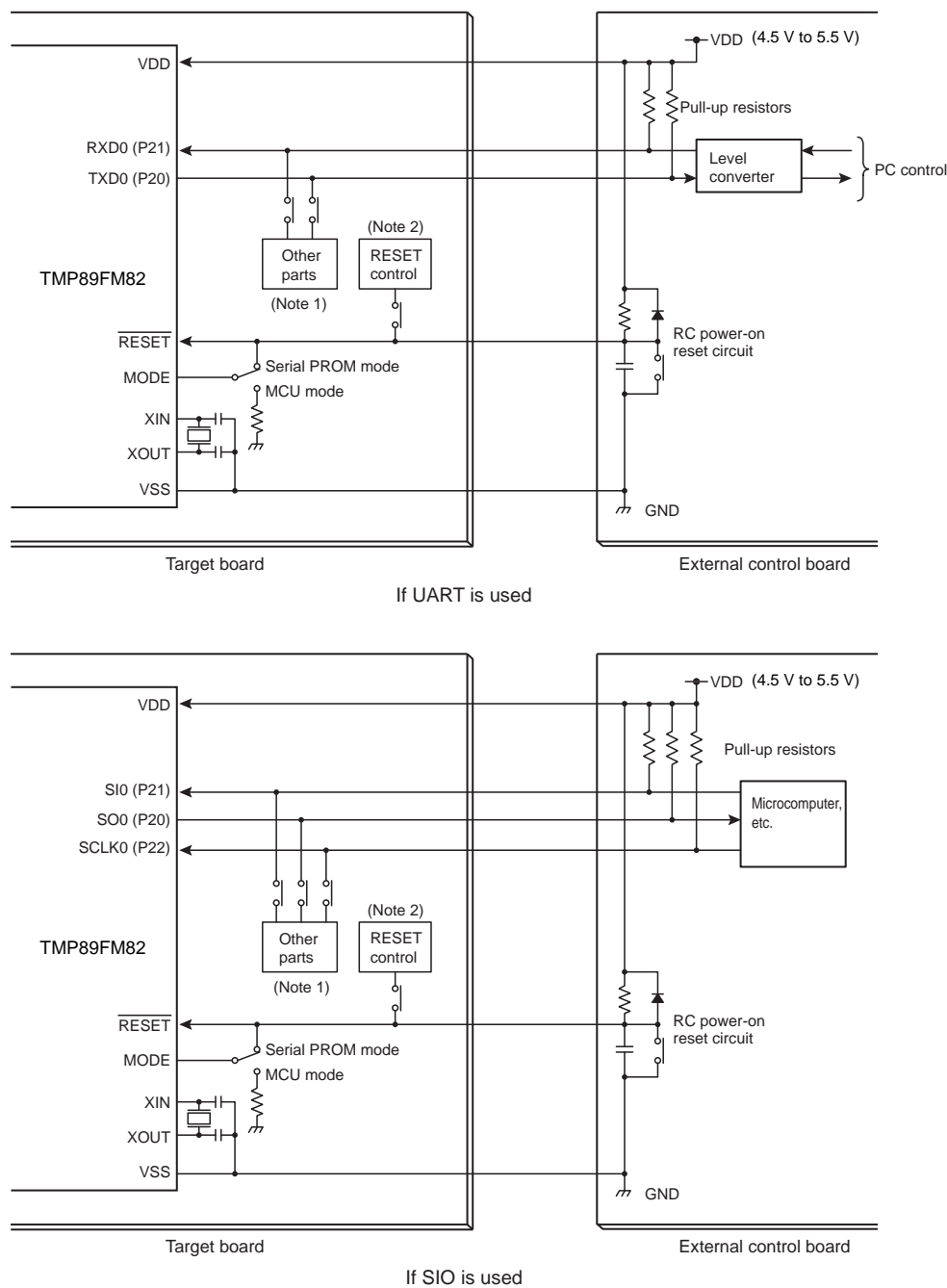


Figure 22-2 Example Connections for On-board Writing

Note 1: If other parts on a target board interfere with the UART communication in serial PROM mode, disconnect these pins by using a jumper or switch.

Note 2: If the reset control circuit on a target board interferes with the startup of serial PROM mode, disconnect the circuit by using a jumper, etc.

Note 3: For information on other pin settings, refer to "Table 22-3 Pin Functions in Serial PROM Mode".

22.5 Activating the Serial PROM Mode

Activate the serial PROM mode by performing the following procedure. For information on the detailed timing, refer to "22.14.1 Reset timing".

1. Supply power to the VDD pin.
2. Set the $\overline{\text{RESET}}$ and MODE pins to low.
3. Set the RXD0/SI0/P21 and TXD0/SO0/P20 pins to high.
4. Wait until the power supply and clock oscillation stabilize.
5. Set the $\overline{\text{RESET}}$ and MODE pins from low to high.
6. Input the matching data 0x86 or 0x30 to the RXD0/SI0/P21 pins after the setup period has elapsed.



22.6 Interface Specifications

The serial PROM mode supports two communication methods: UART and SIO. The communication method is selected based on the first serial data value received after a reset.

To execute an on-board program, the communication format of the external controller (personal computer, micro-controller, etc.) must be set as described below.

22.6.1 SIO communication

- Transfer rate: 250 kbps (Max.)
- Data length: 8 bits
- Slave (external clock)
- Hardware flow control (SO0 pin)

If the TMP89FM82 receives serial data "0x30" after a reset, it starts the SIO communication.

In the SIO communication, the TMP89FM82 functions as a slave device. Therefore, the external controller must supply the TMP89FM82 with a serial clock (SCLK0 pin) for synchronization.

If the TMP89FM82 is not outputting serial data, it controls the hardware flow by using the SO0 pin. If internal data processing is not completed yet, though data has been received, the SO0 pin outputs the L level. If internal data processing has progressed to a near-completion state or if it has been completed, the SO0 pin outputs the H level. The external controller must check the status of the SO0 pin before it starts to supply a serial clock.

22.6.2 UART communication

- Baud rate: 9600 to 128000 bps (automatic detection)
- Data length: 8 bits (LSB first)
- Parity bit: None
- STOP bit: 1 bit

If the TMP89FM82 receives serial data "0x86" after a reset, it starts the UART communication. It also measures the pulse width of the received data (0x86), and automatically establishes the reference baud rate. In all subsequent data communication transactions, this reference baud rate is used. For information on the communication timings of each operation command, refer to "22.14 AC Characteristics (UART)".

Usable baud rates differ depending on the operating frequency and are shown in Table 22-4. However, there is the possibility of data communication not working properly, even if a baud rate shown in Table 22-4 is used, because data communication is affected by frequency errors of a resonator of the external controller (personal computer, etc.), the load capacity of a communication pin, and various other factors.

Table 22-4 Usable Baud Rates as a General Guideline

	9600 bps	19200 bps	38400 bps	57600bps	115200 bps	128000 bps
8 MHz	○	○	○	○	○	○
7.3728 MHz	○	○	○	○	○	-
6.144 MHz	○	○	○	-	-	○
6 MHz	○	○	○	○	○	○
5 MHz	○	○	○	-	-	-
4.9152 MHz	○	○	○	○	-	-
4.19 MHz	○	○	○	-	-	○
4 MHz	○	○	○	○	○	○
2 MHz	○	○	○	○	-	-
1 MHz	○	○	-	○	-	-

Note 1: "O" means a usable baud rate. "-" means an unusable baud rate.



22.7 Memory Mapping

Figure 22-3 shows memory maps in serial PROM and MCU modes.

In serial PROM mode, the BOOTROM (mask ROM) is mapped to the 0x1000 through 0x17FF in the data area and 0x1000 through 0x1FFF in the code area respectively.

To write data to or erase data from flash memory by using the RAM loader command (hereafter called the 0x60 command) and an original program, data write or erase operations must be performed while switching between areas by using the flash memory control registers (FLSCR1 and 2). For information on how to specify addresses, refer to Flash Memory.

When the command to write data to flash memory (hereafter called the 0x30 command) or the command to erase data from flash memory (hereafter called the 0xF0 command) is executed, BOOTROM automatically converts addresses. Therefore, as the address of flash memory, specify an address equivalent to that specified in MCU mode (if FLSCR1<BAREA>="0"), namely, 0x8000 through 0xFFFF.

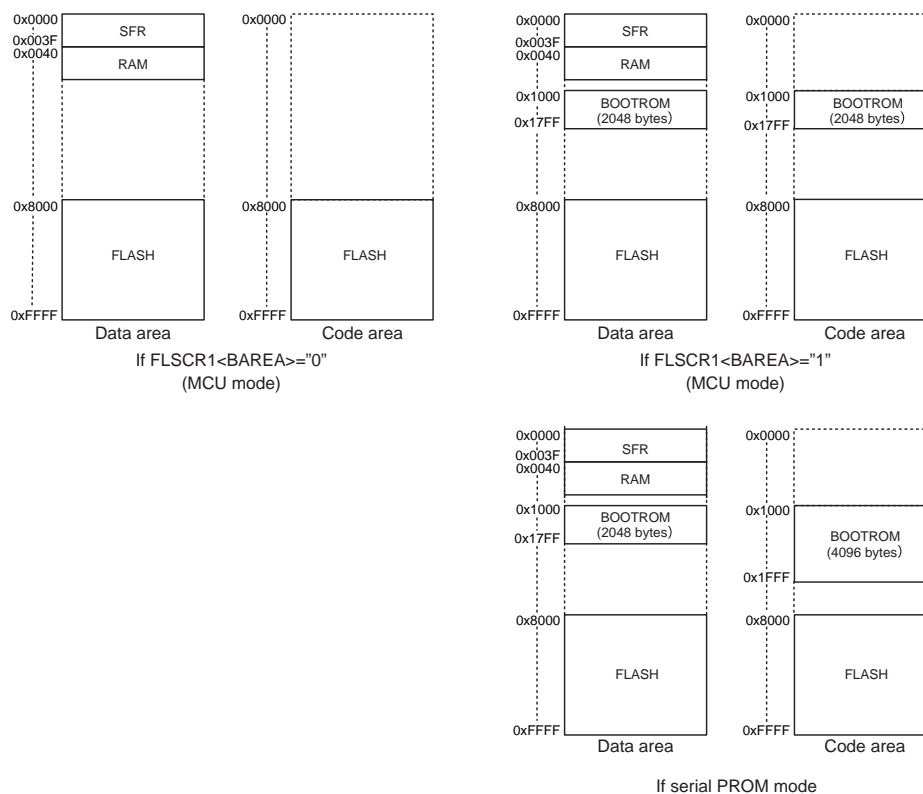


Figure 22-3 Memory Mapping

22.8 Operation Commands

In serial PROM mode, the commands shown in Table 22-5 are used. After a reset is released, the TMP89FM82 goes into a standby state and awaits the arrival of matching data 1 (0x86 or 0x30).

Table 22-5 Operation Command in Serial PROM Mode

Command data	Operation command	Description
0x86 or 0x30	Setup (matching data 1, 2)	After a reset is released, the serial PROM mode always starts operation with this command. If matching data 1 is 0x86, communication starts in the UART format. If matching data 1 is 0x30, communication starts in the SIO format.
0xF0	Flash memory erase	Data in the flash memory area (address 0x8000 through 0xFFFF) can be erased.
0x30	Flash memory write	Data can be written to the flash memory area (address 0x8000 through 0xFFFF).
0x40	Flash memory read	Data can be read from the flash memory area (address 0x8000 through 0xFFFF).
0x60	RAM loader	Data can be written to a specified RAM area (address 0x0060 through 0x083F).
0x90	Flash memory SUM output	0xFF check data and 2-byte checksums of the entire flash memory area (address 0x8000 through 0xFFFF) are output in descending order (from upper to lower bytes).
0xC0	Product ID code output	Product ID codes are output.
0xC3	Flash memory status output	The security program status and other status codes are output.
0xD0	Mask ROM emulation setting	Flash products of 124K or 96Kbytes can be provisioned to emulate a small-capacity mask ROM product.
0xFA	Flash memory security setting	The security program setting is enabled.

Each command is outlined below. For detailed information on how each command works, refer to 22.8.1 and subsequent sections.

1. Flash memory erase command

Either Chip Erase (total erase of flash memory) or Sector Erase (erase of flash memory in 2, 4 or 8K-byte units) can be used to erase the data in flash memory. Data in the erased area is 0xFF. If the security program is enabled or if the option code EPFC_OP is 0xFF, the flash erase command of Sector Erase cannot be executed.

To disable the security program setting, execute the flash erase command of Chip Erase. Before erasing the data in flash memory, the TMP89FM82 performs password authentication except where a product is a blank product or EPFC_OP is 0xFF. If a password is not authenticated, the flash memory erase command is not executed.

2. Flash memory write command

Data can be written in single-byte units to a specified address in flash memory. Provision the external controller so that it transmits data to write as binary data in the Intel Hex format. If errors do not occur until the end record is reached, the TMP89FM82 calculates checksums in the entire flash memory area (0x800 through 0xFFFF), and returns the calculation results. If the security program is enabled, the flash memory write command cannot be executed. In this case, execute Chip Erase beforehand by using the flash memory erase command. Before executing the flash memory write command, the TMP89FM82 performs password authentication except where a product is a blank product. If a password is not authenticated, the flash memory write command is not executed.

3. Flash memory read command

Data can be read from a specified address in flash memory in single-byte units. Provision the external controller so that it transmits the address in memory where a read starts, as well as the number of bytes. After outputting the number of data equal to the number of bytes, the TMP89FM82 calculates the checksums of the output data, and returns the calculation results. If the security program is enabled, the flash memory read command cannot be executed. In this case, execute Chip Erase beforehand by using the flash memory erase command. Before executing the flash memory read command, the TMP89FM82 performs password authentication except where a product is blank. If a password is not authenticated, the flash memory read command is not executed.

4. RAM loader command

The RAM loader transfers the Intel Hex format data sent by the external controller to the built-in RAM. If it completes the data transfer normally, it calculates the checksums, transmits the calculation results, jumps

to the RAM address specified by the first data record, and starts to execute the user program. If the security program is enabled, the RAM loader command is not executed. In this case, execute Chip Erase beforehand by using the flash memory erase command. Before executing the RAM loader command, the TMP89FM82 performs password authentication except where a product is blank. If a password is not authenticated, the RAM loader command is not executed.

5. Flash memory SUM output command

Checksums in the entire flash memory area (0x8000 through 0xFFFF) are calculated, and the calculation results are returned.

6. Product ID code output command

This is a code output used to identify a product. The output code consists of information on the ROM area and on the RAM area respectively. The external controller reads this code to identify the product to which data is to be written.

7. Flash memory status output command

The status of 0xFFE0 through 0xFFFF and that of the security program are output. The external controller reads this code to identify the status of flash memory.

8. Mask ROM emulation setting command

This command is nonfunctional in the TMP89FM82. It becomes functional if used for a product with flash memory of more than 96Kbytes.

9. Flash memory security setting command

This command is used to prohibit the reading or writing of data in flash memory in parallel mode. In serial PROM mode, the flash memory write command, Sector erase of flash memory erase command, Reaad command, and RAM loader command are prohibited. To disable the flash memory security program, execute Chip Erase by using the flash memory erase command.

22.8.1 Flash memory erase command (0xF0)

Table 22-6 shows the flash memory erase commands.

Table 22-6 Flash Memory Erase Commands

	Transfer byte	Transfer data from the external controller to TMP89FM82	Baud rate	Transfer data from TMP89FM82 to the external controller
BOOT ROM	1st byte 2nd byte	Matching data 1 (0x86 or 0x30) -	Automatic adjustment Baud rate after adjustment	- (Automatic baud rate adjustment) OK: Echo back data (0x86 or 0x30) Error: No data transmitted
	3rd byte 4th byte	Matching data 2 (0x79 or 0xCF) -	Baud rate after adjustment Baud rate after adjustment	- OK: Echo back data (0x79 or 0xCF) Error: No data transmitted
	5th byte 6th byte	Operation command data (0xF0) -	Baud rate after adjustment Baud rate after adjustment	- OK: Echo back data (0xF0) Error: 0xA1 × 3, 0xA3 × 3, 0x63 × 3 (note 1)
	7th byte 8th byte	Password count storage address bit 23 to 16	Baud rate after adjustment Baud rate after adjustment	- OK: No data transmitted Error: No data transmitted
	9th byte 10th byte	Password count storage address bit 15 to 08	Baud rate after adjustment Baud rate after adjustment	- OK: No data transmitted Error: No data transmitted
	11th byte 12th byte	Password count storage address bit 07 to 00	Baud rate after adjustment Baud rate after adjustment	- OK: No data transmitted Error: No data transmitted
	13th byte 14th byte	Password comparison start address bit 23 to 16	Baud rate after adjustment Baud rate after adjustment	- OK: No data transmitted Error: No data transmitted
	15th byte 16th byte	Password comparison start address bit 15 to 08	Baud rate after adjustment Baud rate after adjustment	- OK: No data transmitted Error: No data transmitted
	17th byte 18th byte	Password comparison start address bit 07 to 00	Baud rate after adjustment Baud rate after adjustment	- OK: No data transmitted Error: No data transmitted
	19th byte : m-th byte	Password string -	Baud rate after adjustment Baud rate after adjustment	- OK: No data transmitted Error: No data transmitted
	n-th - 2 byte	Erase area specification	Baud rate after adjustment	-
	n-th - 1 byte	-	Baud rate after adjustment	OK: Checksum (upper byte) (note 3) Error: No data transmitted
	n-th byte	-	Baud rate after adjustment	OK: Checksum (lower byte) (note 3) Error: No data transmitted
	n-th + 1 byte	(Wait for the next operation command data)	Baud rate after adjustment	-

Note 1: "0xFF × 3" means that the device goes into an idle state after transmitting 3 bytes of 0xFF.

Note 2: For information on the erase area specification, refer to "22.8.1.1 Specifying the erase area". For information on checksums, refer to "22.10 Checksum (SUM)". For information on passwords, refer to "22.12.1 Passwords".

Note 3: Do not transmit a password string if 0xFFFF of a flash memory is 0xFF, or blank product. (However, the password count storage address and the password comparison start address must be transmitted.)

Note 4: If a value less than 0x20 is transmitted at the n-th - 2 byte (execution of Sector Erase) and if 0xFFFF of flash memory is 0xFF, the TMP89FM82 goes into an idle state.

Note 5: When a password error occurs, the TMP89FM82 stops communication and goes into an idle state. Therefore, when a password error occurs, initialize the TMP89FM82 by using the RESET pin, and restart the serial PROM mode.

Note 6: If a communication error occurs during the transfer of a password address or a password string, the TMP89FM82 stops communication and goes into an idle state. Therefore, when a password error occurs, initialize the TMP89FM82 by using the RESET pin, and restart the serial PROM mode.

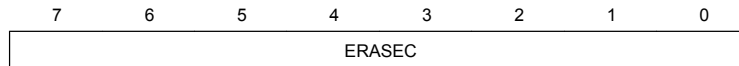
22.8.1.1 Specifying the erase area

The flash memory erase command is used to specify an area in flash memory to be erased at n-2 byte; specifically, ERASEC is used to specify the address of an area to be erased.

If data of less than 0x80 is specified, Sector Erase (erasing flash memory in 2, 4 or 8K-byte units) is executed. Executing Sector Erase with 0xFFFFA memory set to "0xFF" or with the security program enabled will cause the device to go into an infinite loop state.

If data of more than 0x80 is specified, Chip Erase (total erasure of flash memory) is executed, and the security program in flash memory is disabled. Therefore, to disable the security program in flash memory, execute Chip Erase, not Sector Erase.

Erase area specification data (data at n-th-2 bytes)



ERASEC	Erase area start address	0x00 to 0x1F	Reserved
		0x20	0x8000 - 0x87FF
		0x21	
		0x22	0x8800 - 0x8FFF
		0x23	
		0x24	0x9000 - 0x9FFF
		0x25	
		0x26	0xA000 - 0xAFFF
		0x27	
		0x28	0xB000 - 0xBFFF
		0x29	
		0x2A	0xC000 - 0xDFFF
		0x2b	
		0x2C	0xE000 - 0xFFFF
		0x2D	
		0x2E	Reserved
		0x2F	
		0x30	Reserved
		0x31	
		0x32	Reserved
		0x33	
		0x34	Reserved
		0x35	
		0x36	Reserved
		0x37	
		0x38	Reserved
		0x39	
		0x3A	Reserved
		0x3B	
		0x3C	Reserved
		0x3D	
		0x3E	Reserved
0x3F			
0x40 to 0x7F	Reserved		
0x80 or more	Chip Erase (erasure of the entire area)		

Note 1: If Sector Erase is performed on an area where flash memory does not exist, the TMP89FM82 stops communication, and goes into an idle state.

Note 2: If Reserved data is transmitted, the TMP89FM82 stops communication, and goes into an idle state.

22.8.2 Flash memory write command (operation command: 0x30)

Table 22-7 shows the transfer formats of flash memory write commands.

Table 22-7 Transfer Formats of Flash Memory Write Commands

	Transfer byte	Transfer data from the external controller to TMP89FM82	Baud rate	Transfer data from TMP89FM82 to the external controller
BOOT ROM	1st byte 2nd byte	Matching data 1 (0x86 or 0x30) -	Automatic adjustment Baud rate after adjustment	- (Automatic baud rate adjustment) OK: Echo back data (0x86 or 0x30) Error: No data transmitted
	3rd byte 4th byte	Matching data 2 (0x79 or 0xCF) -	Baud rate after adjustment Baud rate after adjustment	- OK: Echo back data (0x79 or 0xCF) Error: No data transmitted
	5th byte 6th byte	Operation command data (0x30) -	Baud rate after adjustment Baud rate after adjustment	OK: Echo back data (0x30) - Error: 0xA1 × 3, 0xA3 × 3, 0x63 × 3 (note 1)
	7th byte 8th byte	Password count storage address 23 to 16	Baud rate after adjustment Baud rate after adjustment	- OK: No data transmitted Error: No data transmitted
	9th byte 10th byte	Password count storage address 15 to 08	Baud rate after adjustment Baud rate after adjustment	- OK: No data transmitted Error: No data transmitted
	11th byte 12th byte	Password count storage address 07 to 00	Baud rate after adjustment Baud rate after adjustment	- OK: No data transmitted Error: No data transmitted
	13th byte 14th byte	Password comparison start address 23 to 16	Baud rate after adjustment Baud rate after adjustment	- OK: No data transmitted Error: No data transmitted
	15th byte 16th byte	Password comparison start address 15 to 08	Baud rate after adjustment Baud rate after adjustment	- OK: No data transmitted Error: No data transmitted
	17th byte 18th byte	Password comparison start address 07 to 00	Baud rate after adjustment Baud rate after adjustment	- OK: No data transmitted Error: No data transmitted
	19th byte : m-th byte	Password string (note) -	Baud rate after adjustment Baud rate after adjustment	- OK: No data transmitted Error: No data transmitted
	m-th+1 byte : n-th-3 byte	Intel Hex format (binary)	Baud rate after adjustment	-
	n-th-2 byte	-	Baud rate after adjustment	OK: 0x55 Overwrite detect: 0xAA
	n-th-1 byte	-	Baud rate after adjustment	OK: Checksum (high) (note 3) Error: No data transmitted
	n-th byte	-	Baud rate after adjustment	OK: Checksum (low) (note 3) Error: No data transmitted
	n-th+1 byte	(Wait for the next operation command data)	Baud rate after adjustment	-

Note 1: "0xXX × 3" means that the device goes into an idle state after transmitting 3 bytes of 0xXX. For further information, refer to Table 22-17.

Note 2: For information on the Intel Hex format, refer to "22.11 Intel Hex Format (Binary)". For information on checksums, refer to "22.10 Checksum (SUM)". For information on passwords, refer to "22.12.1 Passwords".

Note 3: If the area 0xFFE0 through 0xFFFF is all 0xFF, password authentication is not performed and, therefore, the password string need not be transmitted. The password count storage address and password comparison start address, however, must be specified, even for a blank product. If the password count storage address and/or password comparison start

address is/are incorrect, a password error occurs, the TMP89FM82 stops communication, and it goes into an idle state. Therefore, if a password error occurs, initialize the TMP89FM82 by using the RESET pin, and restart the serial PROM mode.

- Note 4: If the security program is enabled in flash memory or if a password error occurs, the TMP89FM82 stops communication, and goes into an idle state. Therefore, if a password error occurs, initialize the TMP89FM82 by using the RESET pin, and restart the serial PROM mode.
- Note 5: If a communication error occurs during the transfer of a password address or a password string, the TMP89FM82 stops communication and goes into an idle state. Therefore, when a password error occurs, initialize the TMP89FM82 by using the RESET pin, and restart the serial PROM mode.
- Note 6: If all data in flash memory are the same data, make sure that you never write data to the address 0xFFE0 through 0xFFFF. If data is written to this address, a password error occurs, and the subsequent operations cannot be performed.
- Note 7: The n-th-2 byte is a flag for detecting an overwrite. If memory contents at an address where data is to be written are other than 0xFF, the n-th-2 byte is 0xAA (data is not written to this address, and the data write routine is skipped). The checksum at the n-th-1 byte or n-th byte is calculated based on data in which data in memory areas where data was not written are included. Therefore, if an overwrite is detected, the checksum of transmitted data does not match that at the n-th-1 byte or n-th byte.



22.8.3 Flash memory read command (operation command: 0x40)

Table 22-8 shows the transfer formats of the flash memory read command.

Table 22-8 Transfer Formats of the Flash Memory Read Command

	Transfer byte	Transfer data from the external controller to TMP89FM82	Baud rate	Transfer data from TMP89FM82 to the external controller
BOOT ROM	1st byte 2nd byte	Matching data 1 (0x86 or 0x30) -	Automatic adjustment Baud rate after adjustment	- (Automatic baud rate adjustment) OK: Echo back data (0x86 or 0x30) Error: No data transmitted
	3rd byte 4th byte	Matching data 2 (0x79 or 0xCF) -	Baud rate after adjustment Baud rate after adjustment	- OK: Echo back data (0x79 or 0xCF) Error: No data transmitted
	5th byte 6th byte	Operation command data (0x40) -	Baud rate after adjustment Baud rate after adjustment	- OK: Echo back data (0x40) Error: 0xA1 × 3, 0xA3 × 3, 0x63 × 3 (note 1)
	7th byte 8th byte	Password count storage address 23 to 16	Baud rate after adjustment Baud rate after adjustment	- OK: No data transmitted Error: No data transmitted
	9th byte 10th byte	Password count storage address 15 to 08	Baud rate after adjustment Baud rate after adjustment	- OK: No data transmitted Error: No data transmitted
	11th byte 12th byte	Password count storage address 07 to 00	Baud rate after adjustment Baud rate after adjustment	- OK: No data transmitted Error: No data transmitted
	13th byte 14th byte	Password comparison start address 23 to 16	Baud rate after adjustment Baud rate after adjustment	- OK: No data transmitted Error: No data transmitted
	15th byte 16th byte	Password comparison start address 15 to 08	Baud rate after adjustment Baud rate after adjustment	- OK: No data transmitted Error: No data transmitted
	17th byte 18th byte	Password comparison start address 07 to 00	Baud rate after adjustment Baud rate after adjustment	- OK: No data transmitted Error: No data transmitted
	19th byte : m-th byte	Password string -	Baud rate after adjustment Baud rate after adjustment	- OK: No data transmitted Error: No data transmitted
	m-th + 1 byte m-th + 2 byte	Read start address 23 to 16	Baud rate after adjustment Baud rate after adjustment	- OK: No data transmitted Error: No data transmitted
	m-th + 3 byte m-th + 4 byte	Read start address 15 to 08	Baud rate after adjustment Baud rate after adjustment	- OK: No data transmitted Error: No data transmitted
	m-th + 5 byte m-th + 6 byte	Read start address 07 to 00	Baud rate after adjustment Baud rate after adjustment	- OK: No data transmitted Error: No data transmitted
	m-th + 7 byte m-th + 8 byte	Number of bytes to read 23 to 16	Baud rate after adjustment Baud rate after adjustment	- OK: No data transmitted Error: No data transmitted
	m-th + 9 byte m-th + 10 byte	Number of bytes to read 15 to 08	Baud rate after adjustment Baud rate after adjustment	- OK: No data transmitted Error: No data transmitted

Table 22-9 Transfer Formats of the Flash Memory Read Command

	Transfer byte	Transfer data from the external controller to TMP89FM82	Baud rate	Transfer data from TMP89FM82 to the external controller
BOOT ROM	m-th + 11 byte m-th + 12 byte	Number of bytes to read 07 to 00	Baud rate after adjustment Baud rate after adjustment	- OK: No data transmitted Error: No data transmitted
	m-th + 13 byte : n-th - 2 byte		Baud rate after adjustment Baud rate after adjustment	Memory data Memory data
	n-th - 1 byte	-	Baud rate after adjustment	OK: Checksum (high) Error: No data transmitted
	n-th byte	-	Baud rate after adjustment	OK: Checksum (low) Error: No data transmitted
	n-th + 1 byte	(Wait for the next operation command data)	Baud rate after adjustment	-

Note 1: "0xXX × 3" means that the device goes into an idle state after transmitting 3 bytes of 0xXX. For further information, refer to Table 22-17.

Note 2: For information on checksums, refer to "22.10 Checksum (SUM)". For information on passwords, refer to "22.12.1 Passwords".

Note 3: If the area 0xFFE0 through 0xFFFF is all 0xFF, password authentication is not performed and, therefore, the password string need not be transmitted. The password count storage address and password comparison start address, however, must be specified, even for a blank product. If the password count storage address and/or password comparison start address are/is incorrect, a password error occurs; the TMP89FM82 stops communication and goes into an idle state. Therefore, if a password error occurs, initialize the TMP89FM82 by using the RESET pin, and restart the serial PROM mode.

Note 4: If the security program is enabled in flash memory or if a password error occurs, the TMP89FM82 stops communication, and goes into an idle state. Therefore, if a password error occurs, initialize the TMP89FM82 by using the RESET pin, and restart the serial PROM mode.

Note 5: If a communication error occurs during the transfer of a password address or a password string, the TMP89FM82 stops communication and goes into an idle state. Therefore, when a password error occurs, initialize the TMP89FM82 by using the RESET pin, and restart the serial PROM mode.

Note 6: If the number of bytes received at the m-th + 7 byte, m-th + 9 byte or m-th + 11 byte is more than 0x000000 or the size of internal memory, the TMP89FM82 stops communication and goes into an idle state.

22.8.4 RAM loader command (operation command: 0x60)

Table 22-10 shows the transfer formats of the RAM loader command.

Table 22-10 Transfer Formats of the RAM Loader Command

	Transfer byte	Transfer data from the external controller to TMP89FM82	Baud rate	Transfer data from TMP89FM82 to the external controller
BOOT ROM	1st byte 2nd byte	Matching data 1 (0x86 or 0x30) -	Automatic adjustment Baud rate after adjustment	- (Automatic baud rate adjustment) OK: Echo back data (0x86 or 0x30) Error: No data transmitted
	3rd byte 4th byte	Matching data 2 (0x79 or 0xCF) -	Baud rate after adjustment Baud rate after adjustment	- OK: Echo back data (0x79 or 0xCF) Error: No data transmitted
	5th byte 6th byte	Operation command data (0x60) -	Baud rate after adjustment Baud rate after adjustment	- OK: Echo back data (0x60) Error: 0xA1 × 3, 0xA3 × 3, 0x63 × 3 (note 1)
	7th byte 8th byte	Password count storage address 23 to 16	Baud rate after adjustment Baud rate after adjustment	- OK: No data transmitted Error: No data transmitted
	9th byte 10th byte	Password count storage address 15 to 08	Baud rate after adjustment Baud rate after adjustment	- OK: No data transmitted Error: No data transmitted
	11th byte 12th byte	Password count storage address 07 to 00	Baud rate after adjustment Baud rate after adjustment	- OK: No data transmitted Error: No data transmitted
	13th byte 14th byte	Password comparison start address 23 to 16	Baud rate after adjustment Baud rate after adjustment	- OK: No data transmitted Error: No data transmitted
	15th byte 16th byte	Password comparison start address 15 to 08	Baud rate after adjustment Baud rate after adjustment	- OK: No data transmitted Error: No data transmitted
	17th byte 18th byte	Password comparison start address 07 to 00	Baud rate after adjustment Baud rate after adjustment	- OK: No data transmitted Error: No data transmitted
	19th byte : m-th byte	Password string -	Baud rate after adjustment Baud rate after adjustment	- OK: No data transmitted Error: No data transmitted
	m-th + XX byte : n-th - 2 byte	Intel Hex format (binary)	Baud rate after adjustment Baud rate after adjustment	- -
	n-th - 1 byte	-	Baud rate after adjustment	OK: Checksum (high) (note 3) Error: No data transmitted
	n-th byte	-	Baud rate after adjustment	OK: Checksum (low) (note 3) Error: No data transmitted
	RAM	-	The program jumps to the start address of RAM in which the first transferred data is written, and executes itself.	

Note 1: "0xXX × 3" means that the device goes into an idle state after transmitting 3 bytes of 0xXX. For further information, refer to Table 22-17.

Note 2: For information on the Intel Hex format, refer to "22.11 Intel Hex Format (Binary)". For information on checksums, refer to "22.10 Checksum (SUM)". For information on passwords, refer to "22.12.1 Passwords".

Note 3: If the area 0xFFE0 through 0xFFFF is all 0xFF, password authentication is not performed and, therefore, the password string need not be transmitted. The password count storage address and password comparison start address, however, must be specified, even for a blank product. If the password count storage address and/or password comparison start address are/is incorrect, a password error occurs; the TMP89FM82 stops communication and goes into an idle state. Therefore, if a password error occurs, initialize the TMP89FM82 by using the RESET pin, and restart the serial PROM mode.

Note 4: After sending a password string, do not send the end record only. If the TMP89FM82 receives the end record after receiving a password string, it may malfunction.

- Note 5: If the security program is enabled in flash memory or if a password error occurs, the TMP89FM82 stops communication, and goes into an idle state. Therefore, if a password error occurs, initialize the TMP89FM82 by using the $\overline{\text{RESET}}$ pin, and restart the serial PROM mode.
- Note 6: If a communication error occurs during the transfer of a password address or a password string, the TMP89FM82 stops communication and goes into an idle state. Therefore, when a password error occurs, initialize the TMP89FM82 by using the $\overline{\text{RESET}}$ pin, and restart the serial PROM mode.



22.8.5 Flash memory SUM output command (operation command: 0x90)

Table 22-11 shows the transfer formats of the flash memory SUM output command.

Table 22-11 Transfer Formats of the Flash Memory SUM Output Command

	Transfer byte	Transfer data from the external controller to TMP89FM82	Baud rate	Transfer data from TMP89FM82 to the external controller
BOOT ROM	1st byte	Matching data 1 (0x86 or 0x30)	Automatic adjustment	- (Automatic baud rate adjustment)
	2nd byte	-	Baud rate after adjustment	OK: Echo back data (0x86 or 0x30) Error: No data transmitted
	3rd byte	Matching data 2 (0x79 or 0xCF)	Baud rate after adjustment	-
	4th byte	-	Baud rate after adjustment	OK: Echo back data (0x79 or 0xCF) Error: No data transmitted
	5th byte	Operation command data (0x90)	Baud rate after adjustment	-
	6th byte	-	Baud rate after adjustment	OK: No data transmitted (0x90) Error: 0xA1 × 3, 0xA3 × 3, 0x63 × 3 (note 1)
	7th byte	-	Baud rate after adjustment	0x55 : - 0xAA: All data are 0xFF.
	8th byte	-	Baud rate after adjustment	OK: Checksum (high) (note 2) Error: No data transmitted
	9th byte	-	Baud rate after adjustment	OK: Checksum (low) (note 2) Error: No data transmitted
	10th byte	(Wait for the next operation command data)	Baud rate after adjustment	-

Note 1: "0xXX × 3" means that the device goes into an idle state after transmitting 3 bytes of 0xXX. For further information, refer to Table 22-17.

Note 2: For information on checksums, refer to "22.10 Checksum (SUM)".

Note 3: If data to be included in the checksum are all 0xFF, the 7th byte becomes 0xAA. If any one piece of data to be included in the checksum is other than 0xFF, the 7th byte becomes 0x55.

22.8.6 Product ID code output command (operation command: 0xC0)

Table 22-12 shows the transfer formats of the product ID code output command.

Table 22-12 Transfer Formats of the Product ID Code Output Command

	Transfer byte	Transfer data from the external controller to TMP89FM82	Baud rate	Transfer data from TMP89FM82 to the external controller
BOOT ROM	1st byte 2nd byte	Matching data 1 (0x86 or 0x30) -	Automatic adjustment Baud rate after adjustment	-(Automatic baud rate adjustment) OK: Echo back data (0x86 or 0x30) Error: No data transmitted
	3rd byte 4th byte	Matching data 2 (0x79 or 0xCF) -	Baud rate after adjustment Baud rate after adjustment	- OK: Echo back data (0x79 or 0xCF) Error: No data transmitted
	5th byte 6th byte	Operation command data (0xC0) -	Baud rate after adjustment Baud rate after adjustment	- OK: Echo back data (0xC0) Error: 0xA1 × 3, 0xA3 × 3, 0x63 × 3 (note 1)
	7th byte		Baud rate after adjustment	0x3A Start mark
	8th byte		Baud rate after adjustment	0x13 Number of transfer data (from 9th to 27th bytes)
	9th byte		Baud rate after adjustment	0x03 Length of address (3 bytes)
	10th byte		Baud rate after adjustment	0xFD Reserved
	11th byte		Baud rate after adjustment	0x01 Reserved
	12th byte		Baud rate after adjustment	0x00 Reserved
	13th byte		Baud rate after adjustment	0x01 Reserved
	14th byte (note 2)			0x80 ROM size code
	15th byte (note 3)		Baud rate after adjustment	0x01 ROM block count (1 block)
	16th byte (note 4)		Baud rate after adjustment	0x00 First address of ROM (upper byte)
	17th byte (note 4)		Baud rate after adjustment	0x80 First address of ROM (middle byte)
	18th byte (note 4)		Baud rate after adjustment	0x00 First address of ROM (lower byte)
	19th byte (note 4)		Baud rate after adjustment	0x00 End address of ROM (upper byte)
	20th byte (note 4)		Baud rate after adjustment	0xFF End address of ROM (middle byte)
	21st byte (note 4)		Baud rate after adjustment	0xFF End address of ROM (lower byte)
	22nd byte (note 5)		Baud rate after adjustment	0x00 First address of RAM (upper byte)
	23rd byte (note 5)		Baud rate after adjustment	0x00 First address of RAM (middle byte)
	24th byte (note 5)		Baud rate after adjustment	0x60 First address of RAM (lower byte)
	25th byte (note 5)		Baud rate after adjustment	0x00 End address of RAM (upper byte)
	26th byte (note 5)		Baud rate after adjustment	0x08 End address of RAM (middle byte)
	27th byte (note 5)		Baud rate after adjustment	0x3F End address of RAM (lower byte)
	28th byte		Baud rate after adjustment	0xYY YYH : Checksum of transfer data (complement of 2 of the sum total from 9th through 27th bytes)
	29th byte	(Wait for the next operation command data)	Baud rate after adjustment	-

Note 1: "0xXX × 3" means that the device goes into an idle state after transmitting 3 bytes of 0xXX. For further information, refer to Table 22-17.

Note 2: The ROM size code at the 14th byte is shown in Table 22-13.

Note 3: Block count in 15th byte is different to that of erase block count in Sector erase.

Note 4: 16th through 21st bytes show the range of addresses in flash memory where data can be written.

Note 5: 22nd through 27th bytes show the flash memory area and RAM area that can be used by the RAM loader. Because the range of addresses shown here does not include the work area used by BOOTROM, it is smaller than the size of a RAM built into an actual product.

Table 22-13 ROM Size Code (14th Byte)

7	6	5	4	3	2	1	0	TMP89FM82 specified value (1000 0000)
ROMSIZE				"0"	"0"	"0"		

ROMSIZE	Data on the flash memory size	10000 : 32Kbytes	Read only
---------	-------------------------------	------------------	-----------

22.8.7 Flash memory status output command (0xC3)

Table 22-14 shows the flash memory status output commands.

Table 22-14 Flash Memory Status Output Commands

	Transfer byte	Transfer data from the external controller to TMP89FM82	Baud rate	Transfer data from TMP89FM82 to the external controller	
BOOT ROM	1st byte 2nd byte	Matching data 1 (0x86 or 0x30) -	Automatic adjustment Baud rate after adjustment	-(Automatic baud rate adjustment) OK: Echo back data (0x86 or 0x30) Error: No data transmitted	
	3rd byte 4th byte	Matching data 2 (0x79 or 0xCF) -	Baud rate after adjustment Baud rate after adjustment	- OK: Echo back data (0x79 or 0xCF) Error: No data transmitted	
	5th byte 6th byte	Operation command data (0xC3) -	Baud rate after adjustment Baud rate after adjustment	- OK: Echo back data (0xC3) Error: 0xA1 × 3, 0xA3 × 3, 0x63 × 3 (note 1)	
	7th byte		Baud rate after adjustment	0x3A	Start mark
	8th byte		Baud rate after adjustment	0x04	Byte count (from 9th through 12th bytes)
	9th byte		Baud rate after adjustment	0x00 to 0x7F	Status code 1
	10th byte		Baud rate after adjustment	0x00	Reserved
	11th byte		Baud rate after adjustment	0x00	Reserved
	12th byte		Baud rate after adjustment	0x00	Reserved
	13th byte		Baud rate after adjustment	Checksum (complement of 2 of the sum total from 9th through 12th bytes)	
	14th byte	(Wait for the next operation command data)	Baud rate after adjustment	-	

Note 1: "xxH × 3" means that the device goes into an idle state after transmitting 3 bytes of xxH.

Note 2: For detailed information on the status code 1, refer to "22.8.7.1 Flash memory status code".

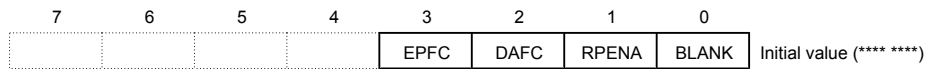
22.8.7.1 Flash memory status code

The flash memory status code is 7-byte data. It shows the status of the flash memory security program and that of the address from 0xFFE0 to 0xFFFF.

Table 22-15 Flash Memory Status Code

Data	Description	In the case of TMP89FM82
1st	Start mark	0x3A
2nd	Number of transfer data (4 bytes from 3rd through 6th bytes)	0x04
3rd	Status code	0x00 through 0x1F (see information below)
4th	Reserved	0x00
5th	Reserved	0x00
6th	Reserved	0x00
7th	Checksum of transfer data (complement of 2 of the sum total of 3rd through 6th bytes)	If 3rd data is 0x00: 0x00 If 3rd data is 0x01: 0xFF If 3rd data is 0x02: 0xFE If 3rd data is 0x03: 0xFD :

Status code 1



EPFC	Password string judgment when the flash memory erase command is executed (status of 0xFFFA)	0: To skip the judgment of a password string (to judge PNSA and PCSA only) 1: To judge a password string, PNSA, and PCSA
DAFC	Security program check of the on-chip debugging function (OCD) (status of 0xFFFB)	0: To skip the security program check at the start of OCD 1: To perform the security program check at the start of OCD
RPENA	Status of the flash memory security program	0: Status in which the security program is disabled 1: Status in which the security program is enabled
BLANK	Status of 0xFFE0 through 0xFFFF	0: If data in the area 0xFFE0 through 0xFFFF are all 0xFF 1: If data in the area 0xFFE0 through 0xFFFF are other than 0xFF

Restrictions are placed on the execution of some operation commands, depending on the contents of the status code 1. Detailed information on this is shown in the table below. If the security program is enabled, three commands cannot be executed: the flash memory write command, RAM loader mode command, and Sector Erase command. To execute these commands, Chip Erase must be performed on flash memory before they are executed.

RPENA	BLANK	EPFC	DAFC	Flash memory overwrite command, flash memory read command, and RAM loader command	Flash memory SUM output command, product ID output command, and status output command	Flash memory erase command		Flash memory security setting command
						Chip erase	Sector erase	
0	0	0	0	O	O	O	x	x
1	0	0	0	x	O	O	x	x
0	1	0	*	Pass	O	O	x	Pass
		1	*	Pass	O	Pass		Pass
1	1	0	*	x	O	O	x	Pass
		1	*	x	O	Pass	x	Pass

Note: O : A command can be executed.

Pass: A password is required to execute a command.

x: A command cannot be executed.

(After a command is echoed back, the TMP89FM82 stops communication, and goes into an idle state.)



22.8.8 Mask ROM emulation setting command (0xD0)

This command is nonfunctional in the TMP89FM82. It becomes functional if used for a product with flash memory of more than 96Kbytes.

22.8.9 Flash memory security setting command (0xFA)

Table 22-16 shows the flash memory security setting command.

Table 22-16 Flash Memory Security Setting Command

	Transfer byte	Transfer data from the external controller to TMP89FM82	Baud rate	Transfer data from TMP89FM82 to the external controller
BOOT ROM	1st byte 2nd byte	Matching data 1 (0x86 or 0x30) -	Automatic adjustment Baud rate after adjustment	- (Automatic baud rate adjustment) OK: Echo back data (0x86 or 0x30) Error: No data transmitted
	3rd byte 4th byte	Matching data 2 (0x79 or 0xCF) -	Baud rate after adjustment Baud rate after adjustment	- OK: Echo back data (0x79 or 0xCF) Error: No data transmitted
	5th byte 6th byte	Operation command data (0xFA) -	Baud rate after adjustment Baud rate after adjustment	- OK: Echo back data (0xFA) Error: 0xA1 × 3, 0xA3 × 3, 0x63 × 3 (note 1)
	7th byte 8th byte	Password count storage address 23 to 16	Baud rate after adjustment Baud rate after adjustment	- OK: No data transmitted Error: No data transmitted
	9th byte 10th byte	Password count storage address 15 to 08	Baud rate after adjustment Baud rate after adjustment	- OK: No data transmitted Error: No data transmitted
	11th byte 12th byte	Password count storage address 07 to 00	Baud rate after adjustment Baud rate after adjustment	- OK: No data transmitted Error: No data transmitted
	13th byte 14th byte	Password comparison start address 23 to 16	Baud rate after adjustment Baud rate after adjustment	- OK: No data transmitted Error: No data transmitted
	15th byte 16th byte	Password comparison start address 15 to 08	Baud rate after adjustment Baud rate after adjustment	- OK: No data transmitted Error: No data transmitted
	17th byte 18th byte	Password comparison start address 07 to 00	Baud rate after adjustment Baud rate after adjustment	- OK: No data transmitted Error: No data transmitted
	19th byte : m-th byte	Password string -	Baud rate after adjustment Baud rate after adjustment	- OK: No data transmitted Error: No data transmitted
	n-th byte	-	Baud rate after adjustment	OK: 0xFB (note 3) Error: No data transmitted
	n-th + 1 byte	(Wait for the next command data)	Baud rate after adjustment	-

Note 1: "0xXX × 3" means that the device goes into an idle state after transmitting 3 bytes of 0xXX.

Note 2: For information on passwords, refer to "22.12.1 Passwords".

Note 3: If the flash memory security setting command is executed for a blank product or if a password error occurs for a non-blank product, the TMP89FM82 stops communication and goes into an idle state. Therefore, if a password error occurs, initialize the TMP89FM82 by using the RESET pin, and restart the serial PROM mode.

Note 4: If a communication error occurs during the transfer of a password address or password string, the TMP89FM82 stops communication and goes into an idle state. Therefore, if a password error occurs, initialize the TMP89FM82 by using the RESET pin, and restart the serial PROM mode.

Note 5: If the flash memory security is not enabled, it becomes possible to read ROM data freely in parallel PROM mode. Make sure that you enable the flash memory security in mass production.

22.9 Error Code

Table 22-17 shows the error codes that the TMP89FM82 transmits when it detects errors.

Table 22-17 Error Codes

Data transmitted	Meaning of error data
0x63, 0x63, 0x63	Operation command error
0xA1, 0xA1, 0xA1	Framing error in the received data
0xA3, 0xA3, 0xA3	Overrun error in the received data

Note: If a password error occurs, the TMP89FM82 does not transmit an error code.

22.10 Checksum (SUM)

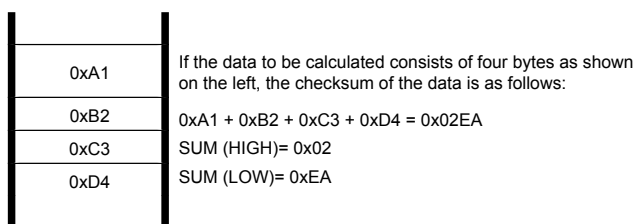
For the following operation commands, a checksum is returned to verify the appropriateness of the result of command execution:

- Flash memory erase command (0xF0)
- Flash memory write command (0x30)
- Flash memory SUM output command (0x90)
- Flash memory read command (0x40)
- RAM loader command (0x60)
- Product ID code output command (0xC0)
- Flash memory status output command (0xC3)

22.10.1 Calculation method

The checksum (SUM) is calculated with the sum of all bytes, and the obtained result is returned as a word. The data is read in single-byte units, and the calculated result is returned as a word.

Example:



In the case of the product ID code output command and flash memory status output command, however, a different calculation method is used. For more information, refer to Table 22-18.

22.10.2 Calculation data

Table 22-18 shows the data for which a checksum is calculated for each command.

Table 22-18 Data for which a Checksum Is Calculated

Operation command	Calculation data	Description
Flash memory erase command	All data in the erased area of flash memory	Even if the chip erase and the sector erase either is executed, an entire area of the flash memory is calculated for checksum.
Flash memory write command	Data in the entire area of flash memory	Even if a part of the flash memory is written, the checksum of the entire flash memory area (0x8000 to 0xFFFF) is calculated. The data length, address, record type and checksum in Intel Hex format are not included in the checksum.
Flash memory SUM output command		
Flash memory read command	Data in the read area of flash memory	
RAM loader command	RAM data written in the first received RAM address through the last received RAM address	The length of data, address, record type and checksum in Intel Hex format are not included in the checksum.
Product ID code output command	9th through 18th bytes of transferred data	For details, refer to "22.8.6 Product ID code output command (operation command: 0xC0)".
Flash memory status output command	9th through 12th bytes of transferred data	For details, refer to Table "Table 22-14 Flash Memory Status Output Commands".

22.11 Intel Hex Format (Binary)

For the following two commands, the Intel Hex format is used in part of the transfer format:

- Flash memory write command (0x30)
- RAM loader command (0x60)

For information on the definition of the Intel Hex format, refer to Table 22-19.

Data is in binary form. The start mark ":" must be transmitted as binary data of 0x3A.

1. After receiving the checksum of each data record, the TMP89FM82 goes into a wait state and awaits the arrival of the start mark (0x3A ":") of the next data record. Although the external controller transmits data other than 0x3A between records, the TMP89FM82 ignores such data when it is in this wait state.
2. The external controller must be provisioned so that after it transmits the checksum of end record, it goes into a wait state and does not transmit any data until the arrival of 3-byte data (overwrite detection, upper and lower bytes of the checksum). (3-byte data is used if the flash memory write command is used. If the RAM loader command is used, the external controller awaits the arrival of 2-byte data, or upper and lower bytes of the checksum.)
3. If a receiving error or Intel Hex format error occurs, the TMP89FM82 goes into an idle state without returning an error code to the external controller. The Intel Hex format error occurs in the following cases:
 - If the record type is other than 00h, 01h, or 02h
 - If a checksum error of the Intel Hex format occurs
 - If the data length of an extended record (record type = 0x02) is not 0x02
 - If the TMP89FM82 receives the data record after receiving an extended record (record type = 0x02) whose segment address is more than 0x2000
 - If the data length of the end record (record type = 0x01) is not 0x00
 - If the offset address of an extended record (record type = 0x02) is not 0x0000

Table 22-19 Definition of the Intel Hex Format

	(1)	(2)	(3)	(4)	(5)	(6)
	Start mark	Data length (1 byte)	Offset address (2 bytes)	Record type (1 byte)	Data	Checksum (1 byte)
Data record (record type = 00)	3A	Number of data in a data field	Starting byte storage address * Specified using big-endian	00	Data (1 to 255 bytes)	(2) Data length (3) Offset address (4) Record type (5) Data Complement of 2 of the sum total of the above
End record (record type = 01)	3A	00	00 00	01	None	(2) Data length (3) Offset address (4) Record type Complement of 2 of the sum total of the above
Extended record (record type = 02)	3A	02	00 00	02	Segment address (2 bytes) * Specified using big-endian	(2) Data length (3) Offset address (4) Record type (5) Segment address Complement of 2 of the sum total of the above

22.12 Security

In serial PROM mode, two security functions are provided to prohibit illegal memory access attempts by a third party: password and security program functions.

22.12.1 Passwords

A password is one of the security functions, and can be used when the TMP89FM82 operates in serial PROM mode or when the on-chip debugging function (hereafter called OCD) is used. Specifically, a password can be established by using data (part of user memory) in flash memory. If a password is established, a password authentication process must be performed to execute the flash memory read command, flash memory write command, and other operation commands. In the case of the OCD, the password authentication process is required prior to the start of the OCD system.

In parallel PROM mode, there are no access-related restrictions using a password. To establish the access-related restrictions that work in both serial and parallel PROM modes, the security program must be set to an appropriate setting.

22.12.1.1 How a password can be specified

With the TMP89FM82, any piece of data in flash memory (8 or more consecutive bytes) can be specified as a password. A password thus specified is authenticated by comparing a password string transmitted by the external controller with the memory data string of MCU where the password is specified. The area where a password can be specified is 0x8000 through 0xFEFF in flash memory.

22.12.1.2 Password structure

A password consists of three components: PNSA, PCSA, and a password string. Figure 22-4 shows the password structure (example of a transmitted password).

- PNSA (password count storage address)

A 3-byte address is specified in the area 0x8000 through 0xFEFF. The memory data of a specified address is the number of bytes of a password string. If the memory data is less than 0x07 or if an address is outside the specified address range, a password error occurs.

The memory data specified here is defined as N.

- PCSA (password comparison start address)

A 3-byte address is specified in the area 0x8000 through 0xFEFF-N. An address thus specified is the starting address to be used to compare with a password string. If an address is outside the specified address range, a password error occurs.

- Password string

Data of 8 bytes to 255 bytes (=N) must be specified as a password string. Memory data and a password string are compared by a specified number "N" of bytes; a comparison starts at an address specified by PCSA. If there is a mismatch as a result of this comparison or if data of 3 or more consecutive bytes is specified, a password error occurs, and the TMP89FM82 goes into an idle state. In this idle state, external devices cannot communicate with the TMP89FM82. To resume communication, the TMP89FM82 must be restarted in serial PROM mode by using the reset pin.

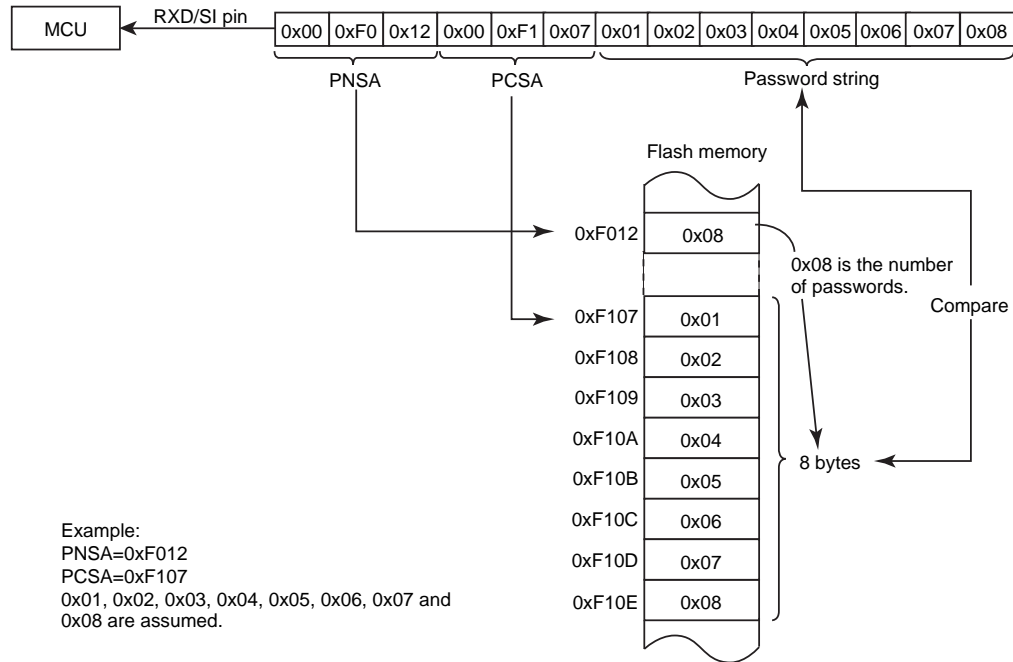


Figure 22-4 Password Structure (Example of a Password Transmitted)

22.12.1.3 Password setting, cancellation and authentication

- Password setting

Because a password is created by using part of a user program, a special password setting routine is unnecessary. A password can be set by simply writing a program to flash memory.

- Password cancellation

To cancel a password, Chip Erase (all erase) must be performed on flash memory. A password is canceled when flash memory is all initialized to 0xFF.

- Password authentication

If there is data other than 0xFF in any one byte of data written to the address 0xFFE0 through 0xFFFF of the TMP89FM82, a product is considered a non-blank product, and password authentication is required to execute an operation command. In this password authentication process, PNSA, PCSA and a password string are used. An operation command is executed only if a password has been successfully authenticated. If a password is unsuccessfully authenticated, the TMP89FM82 goes into an idle state.

If all data written to the address 0xFFE0 through 0xFFFF are 0xFF, a product is considered blank, and no password authentication is performed. To execute some special operation commands, however, PNSA and PCSA are still required (a password string is not required) even if a product is blank. In this case, the addresses defined in Table 22-20 must be selected as PNSA and PCSA.

Whether a product is blank or non-blank can be confirmed by executing the status output command.

The operation commands that require PNSA and PCSA (password string) for them to be executed are as follows:

- Flash memory erase command (0xF0)
- Flash memory write command (0x30)
- Flash memory read command (0x40)
- RAM loader command (0x60)
- Flash memory security setting command (0xFA)

22.12.1.4 Password values and setting range

A password must be set in accordance with the conditions shown in Table 22-20. If a password created without meeting these conditions is used, a password error occurs. In this case, the TMP89FM82 does not transmit data and goes into an idle state.

Table 22-20 Password Values and Setting Range

Password	Blank product (note 1)	Non-blank product
PNSA (password count storage address)	$0x8000 \leq \text{PNSA} \leq 0xFEFF$	$0x8000 \leq \text{PNSA} \leq 0xFEFF$
PCSA (password comparison start address)	$0x8000 \leq \text{PCSA} \leq 0xFEFF$	$0x8000 \leq \text{PCSA} \leq 0xFF00 - N$
N (password count)	*	$8 \leq N$
Password string	Not required (notes 4 and 5)	Required (note 3)

Note 1: *: Don't care.

Note 2: When addresses from 0xFFE0 through 0xFFFF are filled with "0xFF", the product is recognized as a blank product.

- Note 3: The data including the same consecutive data (three or more bytes) cannot be used as a password. (A password error occurs during password authentication. The TMP89FM82 does not transmit any data and goes into an idle state.)
- Note 4: In flash memory writing mode or RAM loader mode, the blank product receives the Intel Hex format data immediately after receiving PCSA; it does not receive password strings. In this case, the subsequent processing is performed correctly because the TMP89FM82 keeps ignoring incoming data until the start mark (0x3A ":") in the Intel Hex format is detected, even if the external controller transmits the dummy password string. However, if the dummy password string contains "0x3A", it is detected as the start mark erroneously, and the microcontroller enters the halt mode. If this causes a problem, do not transmit the dummy password strings.
- Note 5: In executing the flash memory erase command, do not transmit a password string to a blank product.

22.12.2 Security program

The security program can be used in parallel and serial PROM modes and for OCD. It has a special memory for protection, and a special command is required to make this protection setting. If the security program is enabled, the reading or writing of flash memory in parallel PROM mode is prohibited. In serial PROM mode, the read and write of flash memory and other operation commands cannot be used. In performing OCD, two options about system startup are provided: prohibiting the system startup by using an option code and starting the system by password authentication.

22.12.2.1 How the security program functions

With the TMP89FM82, you can control the read of flash memory by writing protection-related information to a specially-designed memory. Because protection-related information is written to this specially-designed memory, no user memory resource are required.

22.12.2.2 Enabling or disabling the security program

- Enabling the security program
To enable the security program, execute the flash memory security setting command.
- Disabling the security program
To disable the security program, execute Chip Erase of the flash memory erase command.

22.12.3 Option codes

If a specified option code is placed at a specified address inside the interrupt vector area, whether password string authentication is performed or not when executing the flash memory erase command and whether the security program is checked or not when starting OCD can be designated.

- Erase password free code EPFC_OP (0xFFFA)

If changes are frequently made to a program during software development, there are cases in which a password may get lost. In this case, you can cancel the password string authentication of the flash memory erase command (0xF0) by setting the erase password free code (EPFC_OP). EPFC_OP is assigned to 0xFFFA in the vector area. Allocate 0xFF to this EPFC_OP to cancel the password string of the flash memory erase command (0xF0).

It is recommended that the password string authentication of the flash memory erase command (0xF0) be enabled during mass production by allocating data other than 0xFF to EPFC_OP.

Only Chip Erase can cancel the password string authentication by using the flash memory erase command. If Sector Erase is executed with EPFC_OP set to 0xFF, the TMP89FM82 goes into an idle state. Commands other than the flash memory erase command cannot cancel the password string authentication.

- OCD security program free code DAFC_OP (0xFFFB)

With the TMP89FM82, you can enable the security program to prevent illegal access attempts by a third party. If the security program is enabled, restrictions are imposed on operation commands related to memory access, and the startup of OCD.

The security program should be usually enabled at the time of shipment. If there is the possibility that the OCD may be used by keeping the contents of memory intact, it is possible to directly start the OCD by setting the OCD security program free code (DAFC_OP) and thereby skipping the security program check (the password string authentication, however, is still required).

DAFC_OP is assigned to 0xFFFB in the vector area. To skip the security program check at the startup of the OCD, assign 0xFF to DAFC_OP. In this case, the security program check is not performed, and the OCD can be started by performing only the password string authentication.

If DAFC_OP is not 0xFF, whether the OCD can be used or not is determined by the status of the security program. If the OCD is started with the security program enabled, the TMP89FM82 stops communication and goes into an idle state. To use the OCD when the TMP89FM82 is in this idle state, Chip Erase must be executed for flash memory by using the flash memory erase command (0xF0). If the security program is disabled, the OCD can be started by performing only the password string authentication.

Table 22-21 Option Codes

Symbol	Function	Address	Set value
EPFC_OP	Password string authentication when the flash memory erase command is executed	0xFFFA	0xFF : The password string authentication is skipped (only PNSA and PCSA are authenticated). Other than 0xFF: The password string, PNSA, and PCSA are authenticated.
DAFC_OP	Security program check when the OCD is started	0xFFFB	0xFF: The security program check is skipped. Other than 0xFF: The security program check is performed.

Example :Case in which the password authentication and OCD security program authentication are disabled

Vector Section romdata abs = 0xFFFA

DB	0xFF	; Cancel the password string during the erase operation (EPFC_OP)
DB	0xFF	; Permit access when the OCD is started (DAFC_OP)



22.12.4 Recommended settings

Table 22-22 shows the option codes and recommended security program settings.

Table 22-22 Option Codes and Recommended Security Program Settings

	Device status			Serial PROM mode		Parallel PROM mode		OCD
	EPFC_OP (0xFFFA)	DAFC_OP (0xFFFB)	Security Pro- gram	Memory read	Erase	Memory read	Erase	
At the time of debug- ging during software development	0xFF	0xFF	Disable	Password string re- quired	Possible	Possible	Possible	Can be used
In quantity production	0xFF	0xFF	Enable	Impossible	Possible	Impossible	Possible	Can be used
		Other than 0xFF						Cannot be used
	Other than 0xFF	0xFF			Can be used			
		Other than 0xFF			Cannot be used			

Note 1: In parallel PROM mode, Chip Erase can be performed irrespective of the option code setting.

Note 2: If the security program is not enabled in parallel PROM mode, ROM data can be read with no restrictions. Make sure that in parallel PROM mode, you always enable the security program to protect ROM data.

22.14 AC Characteristics (UART)

Table 22-23 UART Timing-1

Parameter	Symbol	Clock frequency (fcgck)	Minimum required time	
			At fcgck = 1 MHz	At fcgck = 8 MHz
Time from when MCU receives 0x86 to when it echoes back	CMeb1	Approx. 660	660 μ s	83 μ s
Time from when MCU receives 0x79 to when it echoes back	CMeb2	Approx. 540	540 μ s	67.5 μ s
Time from when MCU receives an operation command to when it echoes back	CMeb3	Approx. 300	300 μ s	37.5 μ s
Time required to calculate the checksum (flash memory)	CMfsm	Approx. 1493340 (32KB)	1.5 s	187 ms
Time required to calculate the checksum (RAM)	CMrsm	Approx. 160	160 μ s	20 μ s
Time when MCU receives Intel Hex data to when it transmits overwrite detection data	CMwr	Approx. 200	200 μ s	25 μ s
Time from when MCU receives data (number of read bytes) to when it transmits memory data	CMrd	Approx. 430	430 μ s	54 μ s
Time from when MCU receives data (mask ROM emulation setting data) to when it echoes back	CMem2	Approx. 420	420 μ s	52.5 μ s
Time required to enable the security program	CMrp	Approx. 1080	1.08 ms	135 μ s

Table 22-24 UART Timing-2

Parameter	Symbol	Clock frequency (fcgck)	Minimum required time	
			At fcgck = 1 MHz	At fcgck = 8 MHz
Time required to keep MODE and RESET pins at L after power-on	RSsup	-	10 ms	
Time from when MODE and RESET pins are set to H to the acceptance of RXD	RXsup	-	20 ms	
Time from when MCU echoes back 0x86 to the acceptance of RXD	CMtr1	Approx. 140	140 μ s	18 μ s
Time from when MCU echoes back 0x79 to the acceptance of RXD	CMtr2	Approx. 90	90 μ s	11 μ s
Time from when MCU echoes back an operation command to the acceptance of RXD	CMtr3	Approx. 270	270 μ s	34 μ s
Time from when the execution of a current command is completed to the acceptance of the next operation command	CMnx	Approx. 1100	1.1 ms	138 μ s

22.14.1 Reset timing

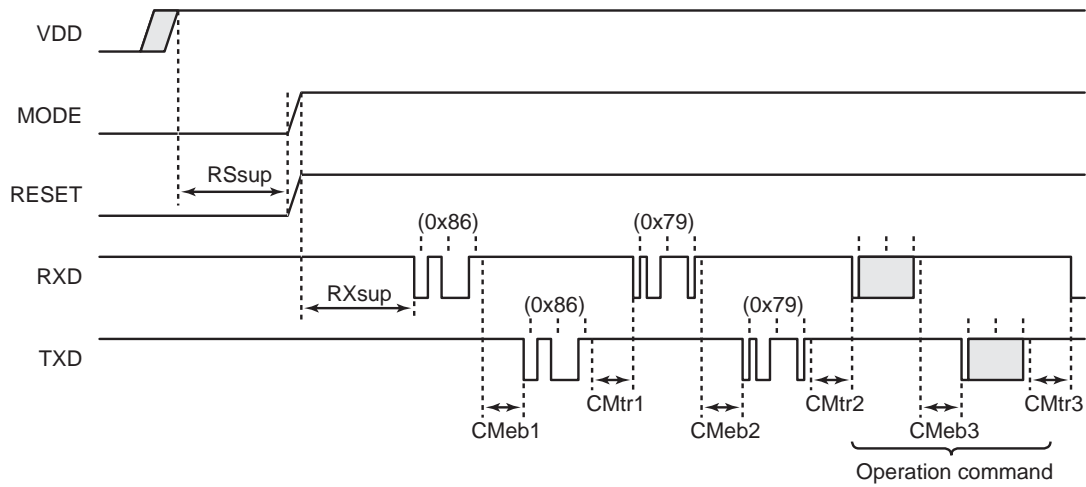


Figure 22-6 Reset Timing

22.14.2 Flash memory erase command (0xF0)

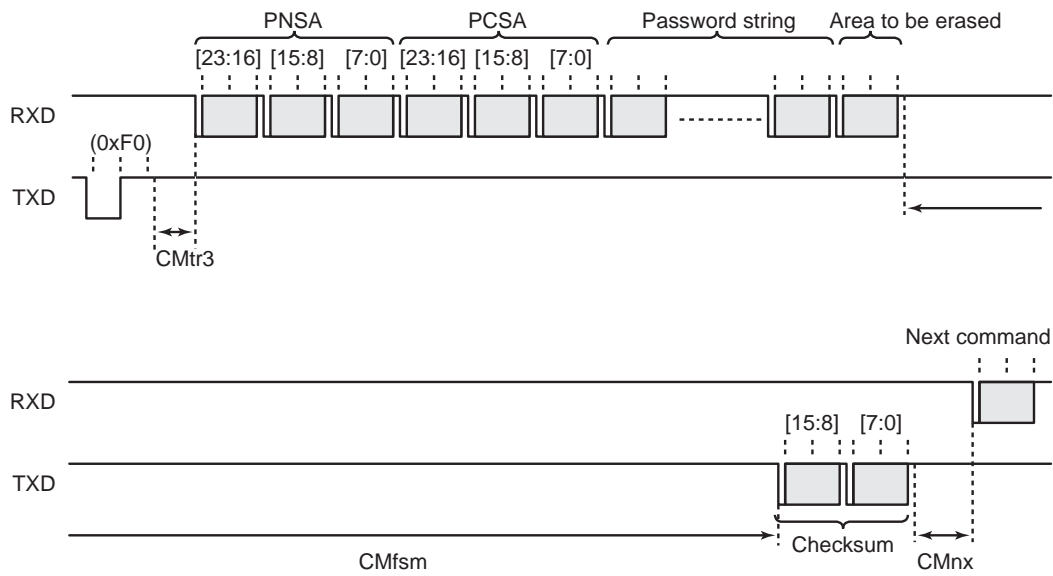


Figure 22-7 Flash Memory Erase Command

22.14.5 RAM loader command (0x60)

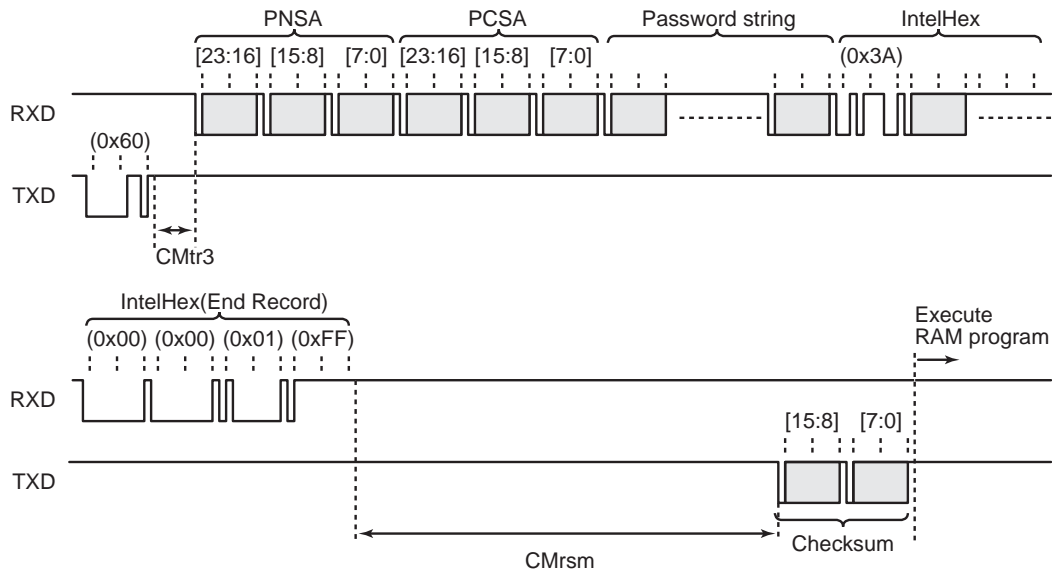


Figure 22-10 RAM Loader Command

22.14.6 Flash memory SUM output command (0x90)

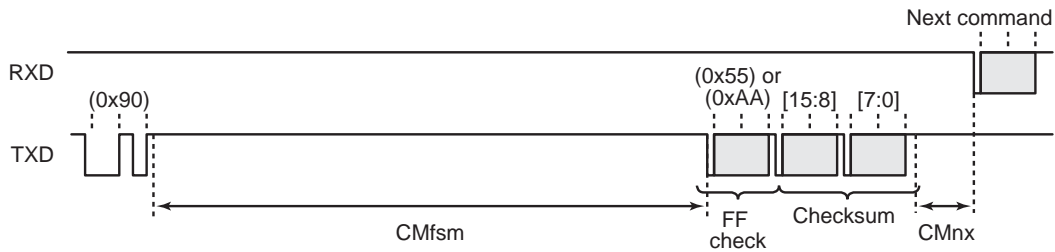


Figure 22-11 Flash Memory SUM Output Command

22.14.7 Product ID code output command (0xC0)

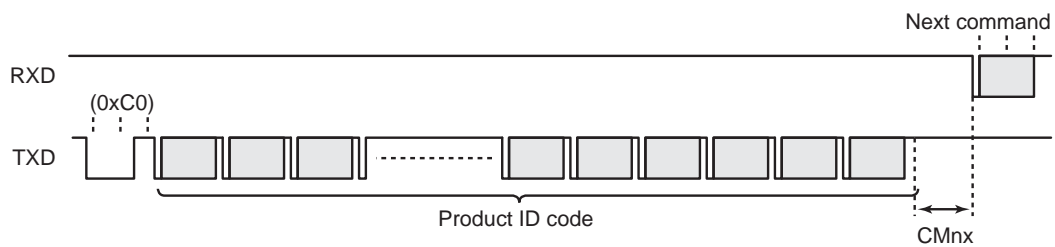


Figure 22-12 Product ID Code Output Command

22.14.8 Flash memory status output command (0xC3)

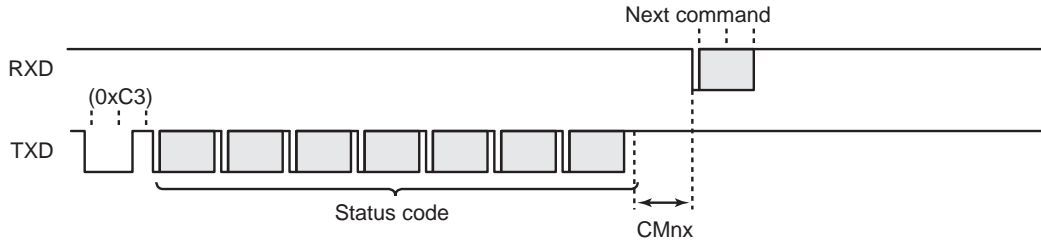


Figure 22-13 Flash Memory Status Output Command

22.14.9 Mask ROM emulation setting command (0xD0)

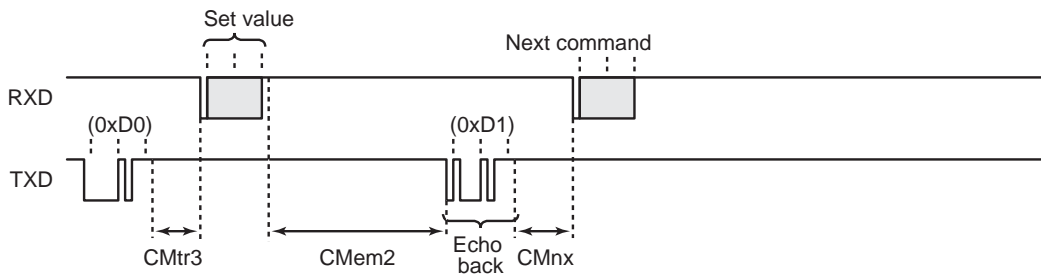


Figure 22-14 Mask ROM Emulation Setting Command

Note: This command is nonfunctional in the TMP89FM82. It becomes functional if used for a product with flash memory of more than 96Kbytes.

22.14.10 Flash memory security setting command (0xFA)

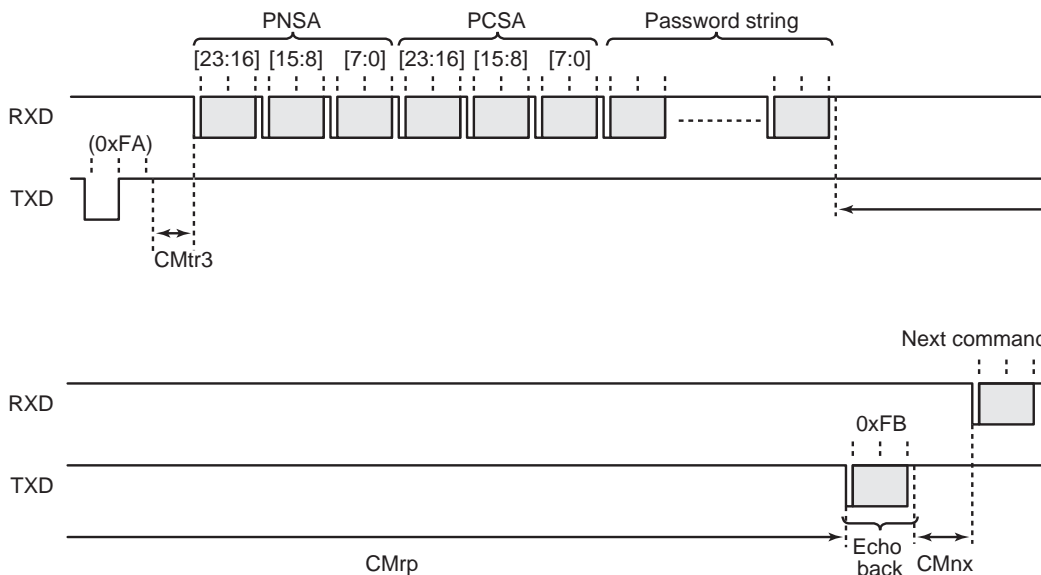


Figure 22-15 Flash Memory Security Setting Command

23. On-chip Debug Function (OCD)

The TMP89FM82 has an on-chip debug function. Using a combination of this function and the TOSHIBA on-chip debug emulator RTE870/C1, the user is able to perform software debugging in the on-board environment. This emulator can be operated from a debugger installed on a PC so that the emulation and debugging functions of an application program can be used to modify a program or for other purposes.

This chapter describes the control pins needed to use the on-chip debug function and how a target system is connected to the on-chip debug function. For more detailed information on how to use the on-chip debug emulator RTE870/C1, refer to the emulator operating manual.

23.1 Features

The on-chip debug function of the TMP89FM82 has the following features:

- Debugging can be performed in much the same way as when a microcontroller packaged with the MCU is used.
- The debugging function can be realized using two communication control pins.
- Useful on-chip debug functions include the following:
 - 8 breaks function are provided (one of which can also be used as an event function).
 - A trace function that allows the newest two branch instructions to be stored in real time is provided.
 - Functions to display active memory and to overwrite active memory are provided.
- Built-in flash memory can be erased and written.

23.2 Control Pins

The on-chip debug function uses two pins for communication and four pins for power supply, reset and mode control. The pins used for the on-chip debug function are shown in Table 23-1.

Ports P20 and P21 are used as communication control pins of the on-chip debug function. If the RTE870/C1 On-Chip Debug Emulator is used, therefore, Ports P20 and P21 cannot be debugged as port pins or UART0 and SIO0 pins. However, because the UART0 and SIO0 functions can be assigned to other ports by using SERSEL<SRSEL2>, these communication functions can also be used during on-chip debug operation. For details, refer to the section of I/O ports.

Table 23-1 Pins Used for the On-chip Debug Function

Pin name (during on-chip debugging)	Input/out- put	Function	Pin name (in MCU mode)
OCDCK	Input	Communication control pin (clock control)	(Note 1) P20 / TXD0 / SO0 P21 / RXD0 / SIO / TCA0/ TCA1 RESET MODE
OCDIO	I/O	Communication control pin (data control)	
RESET	Input	Reset control pin	
MODE	Input	Mode control pin	
VDD	Power sup- ply	4.5 V to 5.5 V	
VSS	Power sup- ply	0 V	
Input and output ports other than P20 and P21	I/O	Can be used for an application in a target system	
XIN	Input	To be connected to an oscillator to put these pins in a state of self-oscillation	
XOUT	Output		

23.3 How to Connect the On-chip Debug Emulator to a Target System

To use the on-chip debug function, the specific pins on a target system must be connected to an external debugging system.

The on-chip debug emulator RTE870/C1 can be connected to a target system via an interface control cable. TOSHIBA provides a connector for this interface control cable as an accessory tool. Mounting this connector on a target system will make it easier to use the on-chip debug function.

The connection between the on-chip debug emulator RTE870/C1 and a target system is shown in Figure 23-1.

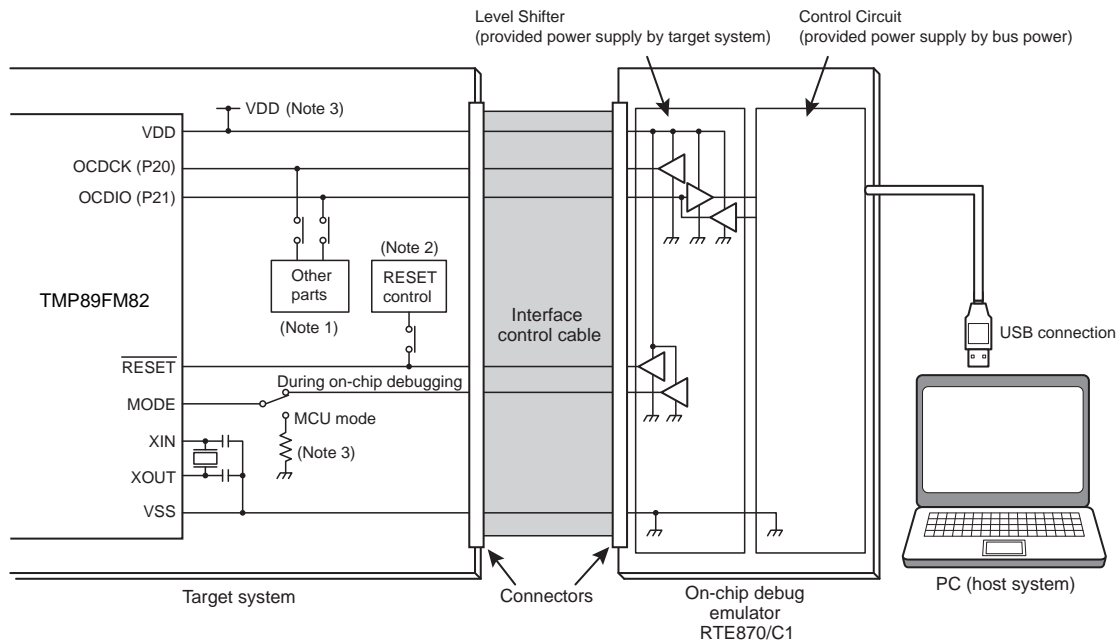


Figure 23-1 How the On-chip Debug Emulator RTE870/C1 Is Connected to a Target System

Note 1: Ports P20 and P21 are used as communication control pins of the on-chip debug function. If the on-chip debug emulator RTE870/C1 is used, therefore, the port functions and the functions of UART0 and SIO0, which are also used as ports, cannot be debugged. If the emulator is disconnected to be used as a single MCU, the functions of ports P20 and P21 can be used. To use the on-chip debug function, however, P20 and P21 should be disconnected using a jumper, switch, etc. if there is the possibility of other parts affecting the communication control.

Note 2: If the reset control circuit on an application board affects the control of the on-chip debug function, it must be disconnected using a jumper, switch, etc.

Note 3: The power supply voltage VDD must be provided by a target system. The VDD pin is connected to the emulator so that the level of voltage appropriate for driving communication pins can be obtained by using the power supply of a target system. The connection of the VDD pin is for receiving the power supply voltage, not for supplying it from the emulator side to a target system.

23.4 Security

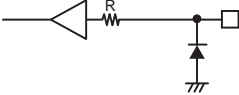
The TMP89FM82 provides two security functions to prevent the on-chip debug function from being used through illegal memory access attempted by a third person: a password function and a Security Program function. If a password is set on the TMP89FM82, it is necessary to authenticate the password for using the on-chip debug function. By setting both a password and the Security Program on the TMP89FM82, it is possible to prohibit the use of all on-chip debug functions. Furthermore, by using the option code, the on-chip debug function only can be used even if the Security Program is enabled. However, to use the on-chip debug function in this setting, a password authentication process is required.

For information on how to set a password and to enable the read protection and option code, refer to "Serial PROM Mode".

24. Input/Output Circuit

24.1 Control Pins

The input/output circuitries of the TMP89FM82 control pins are shown below.

Control pin	I/O	Circuitry	Remarks
XIN XOUT	Input Output	Refer to the P0 ports in the chapter of Input/Output Ports.	
XTIN XTOUT	Input Output	Refer to the P0 ports in the chapter of Input/Output Ports.	
$\overline{\text{RESET}}$	Input	Refer to the P1 ports in the chapter of Input/Output Ports.	
MODE	Input		R = 100 Ω (typ.)



25. Electrical Characteristics

25.1 Absolute Maximum Ratings

The absolute maximum ratings are rated values which must not be exceeded during operation, even for an instant. Any one of the ratings must not be exceeded. If any absolute maximum rating is exceeded, a device may break down or its performance may be degraded, causing it to catch fire or explode resulting in injury to the user. Thus, when designing products which include this device, ensure that no absolute maximum rating value will ever be exceeded.

(V_{SS} = 0 V)

Parameter	Symbol	Pins	Ratings	Unit
Supply voltage	V _{DD}		-0.3 to 6.0	V
Input voltage	V _{IN1}	P0, P1, P2, P4, P7, P8, P9 (three-state port)	-0.3 to V _{DD} + 0.3	V
	V _{IN2}	AIN0 to AIN7 (analog input voltage)	-0.3 to A _{VDD} + 0.3	
Output voltage	V _{OUT1}		-0.3 to V _{DD} + 0.3	V
Output current (per pin)	I _{OUT1}	P0, P1, P2, P4, P7, P8, P9 (three-state port)	-1.8	mA
	I _{OUT2}	P0, P1, P2, P4 (pull-up resistor)	-0.4	
	I _{OUT3}	P0, P1, P4, P7 (three-state port)	3.2	
	I _{OUT4}	P2, P8, P9 (large current port)	30	
Output current (total)	ΣI _{OUT1}	P0, P1, P2, P4, P7, P8, P9 (three-state port)	-30	mA
	ΣI _{OUT2}	P0, P1, P2, P4 (pull-up resistor)	-4	
	ΣI _{OUT3}	P0, P1, P4, P7 (three-state port)	60	
	ΣI _{OUT4}	P2, P8, P9 (large current port)	70	
Power dissipation (T _{opr} = 85°C)	P _D		400	mW
Soldering temperature (time)	T _{sld}		260 (10 s)	°C
Storage temperature	T _{stg}		-55 to 150	
Operating temperature	T _{opr}		-40 to 85	

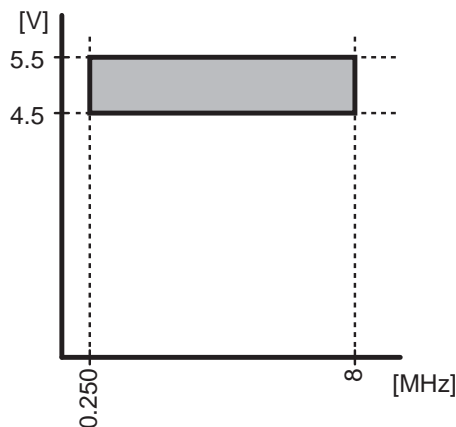
25.2 Operating Conditions

The operating conditions for a device are operating conditions under which it can be guaranteed that the device will operate as specified. If the device is used under operating conditions other than the operating conditions (supply voltage, operating temperature range, specified AC/DC values etc.), malfunction may occur. Thus, when designing products which include this device, ensure that the operating conditions for the device are always adhered to.

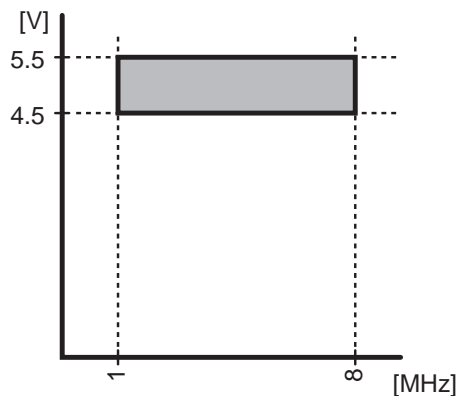
25.2.1 MCU mode (Flash Programming or erasing)

($V_{SS} = 0\text{ V}$, $T_{opr} = -40\text{ to }85^\circ\text{C}$)

Parameter	Symbol	Pins	Condition	Min	Max	Unit
Supply voltage	V_{DD}		NORMAL1, 2 modes	4.5	5.5	V
Input high level	V_{IH1}	MODE pin	$V_{DD} \geq 4.5\text{ V}$	$V_{DD} \times 0.70$	V_{DD}	
	V_{IH2}	Hysteresis input		$V_{DD} \times 0.75$		
Input low level	V_{IL1}	MODE pin	$V_{DD} \geq 4.5\text{ V}$	0	$V_{DD} \times 0.30$	
	V_{IL2}	Hysteresis input		$V_{DD} \times 0.25$		
Clock frequency	f_c	XIN, XOUT	$V_{DD} \geq 4.5\text{ V}$	1.0	8.0	MHz
	$fcgck$			0.25	8.0	



Gear clock($fcgck$) frequency range



High-frequency clock(fc) frequency range

Figure 25-1 Clock gear ($fcgck$) and High-frequency clock (fc)

25.2.2 MCU mode (Except Flash Programming or erasing)

(V_{SS} = 0 V, T_{opr} = -40 to 85°C)

Parameter	Symbol	Pins	Condition	Min	Max	Unit	
Supply voltage	V _{DD}		fc = 8.0 MHz	NORMAL1, 2 modes IDLE0, 1, 2 modes	4.5	5.5	V
			fcgck = 8.0 MHz				
			fcgck = 2.0 MHz				
			fs = 32.768 kHz	SLOW1, 2 modes SLEEP0, 1 modes			
			STOP mode				
Input high level	V _{IH1}	MODE pin	V _{DD} ≥ 4.5 V	V _{DD} × 0.70	V _{DD}	V	
	V _{IH2}	Hysteresis input		V _{DD} × 0.75			
Input low level	V _{IL1}	MODE pin	V _{DD} ≥ 4.5 V	0	V _{DD} × 0.30		
	V _{IL2}	Hysteresis input		V _{DD} × 0.25			
Clock frequency	fc	XIN, XOUT	V _{DD} = 4.5 to 5.5 V	1.0	8.0	MHz	
	fcgck		V _{DD} = 4.5 to 5.5 V	0.25	8.0		
	fs	XTIN, XTOUT	V _{DD} = 4.5 to 5.5 V	30.0	34.0	kHz	

Note: When using PMD, it is necessary to operate at fc = fcgck = 8MHz.

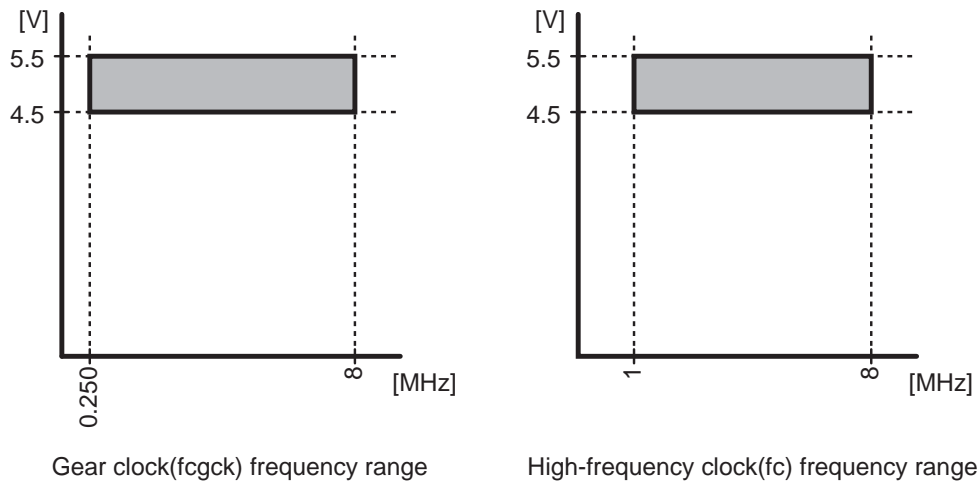
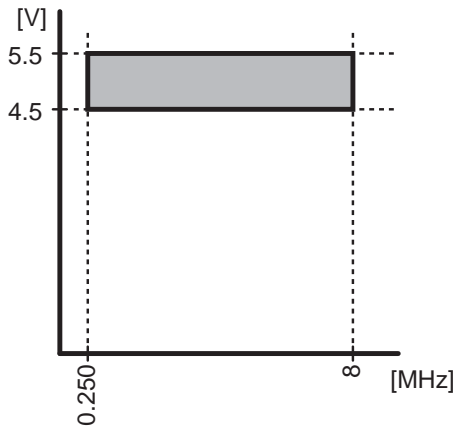


Figure 25-2 Clock gear (fcgck) and High-frequency clock (fc)

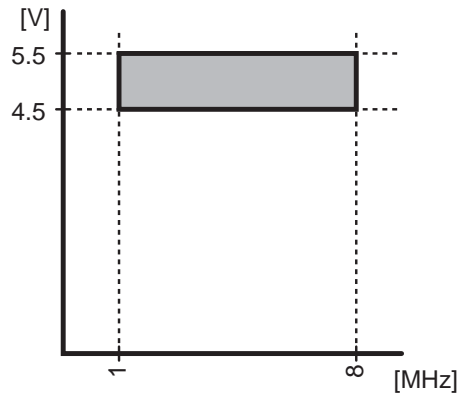
25.2.3 Serial PROM mode

(V_{SS} = 0 V, Topr = -40 to 85°C)

Parameter	Symbol	Pins	Condition	Min	Max	Unit
Supply voltage	V _{DD}		NORMAL1, 2 modes	4.5	5.5	V
Input high voltage	V _{IH1}	MODE pin	V _{DD} ≥ 4.5 V	V _{DD} × 0.70	V _{DD}	
	V _{IH2}	Hysteresis input		V _{DD} × 0.75		
Input low voltage	V _{IL1}	MODE pin	V _{DD} ≥ 4.5 V	0	V _{DD} × 0.30	
	V _{IL2}	Hysteresis input			V _{DD} × 0.25	
Clock frequency	fc	XIN, XOUT	V _{DD} ≥ 4.5 V	1.0	8.0	MHz
	fcgck			0.25	8.0	



Gear clock(fcgck) frequency range



High-frequency clock(fc) frequency range

Figure 25-3 Clock gear (fcgck) and High-frequency clock (fc)

25.3 DC Characteristics

(V_{SS} = 0 V, Topr = -40 to 85°C)

Parameter	Symbol	Pins	Condition	Min	Typ.	Max	Unit
Hysteresis voltage	V _{HS}	Hysteresis input		-	0.9	-	V
Input current	I _{IN1}	MODE	V _{DD} = 5.5 V				
	I _{IN2}	P0, P1, P2, P4, P7, P8, P9	V _{IN} = V _{MODE} = 5.5 V/0 V	-	-	±2	μA
	I _{IN3}	RESET, STOP					
Input resistance	R _{IN2}	RESET pull-up	V _{DD} = 5.5 V, V _{IN} = V _{MODE} = 0 V	100	220	500	kΩ
	R _{IN3}	P0, P1, P2, P4 pull-up		30	50	100	
Output leakage current	I _{LO2}	P0, P1, P2, P4, P7, P8, P9 (three-state port)	V _{DD} = 5.5 V, V _{OUT} = 5.5 V/0 V	-	-	±2	μA
Output high voltage	V _{OH}	Except XOUT, XTOUT	V _{DD} = 4.5 V, I _{OH} = -0.7 mA	4.1	-	-	V
Output low voltage	V _{OL}	Except XOUT, XTOUT	V _{DD} = 4.5 V, I _{OL} = 1.6 mA	-	-	0.4	
Output low current	I _{OL}	P2, P8, P9 (Large current port)	V _{DD} = 4.5 V, V _{OL} = 1.0 V	-	20	-	mA

Note 1: Typical values show those at Topr = 25°C and V_{DD} = 5.0 V.

Note 2: Input current I_{IN3}: The current through pull-up resistor is not included.

Note 3: V_{IN}: The input voltage on the pin except MODE pin, V_{MODE}: The input voltage on the MODE pin

(V_{SS} = 0 V, Topr = -40 to 85°C)

Parameter	Symbol	Pins	Condition	Min	Typ.	Max	Unit			
Supply current in NORMAL 1, 2 modes (Note 7)	I _{DD} (Note 8)		V _{DD} = 5.5 V V _{IN} = 5.3 V/0.2 V V _{MODE} = 5.3V/0.1V f _{cgck} = 8.0 MHz	When a program operates on flash memory	-	18	24	mA		
				When a program operates on RAM	-	9	12			
Supply current in IDLE0, 1, 2 modes						-	5	7		
Supply current in SLOW1 mode (Notes 5 and 7)					V _{DD} = 5.5 V V _{IN} = 5.3 V/0.2 V V _{MODE} = 5.3V/0.1V f _s = 32.768 kHz	When a program operates on flash memory	-	45	165	μA
						When a program operates on RAM	-	35	155	
Supply current in SLEEP1 mode						-	30	150		
Supply current in SLEEP0 mode				-	20	100				
Supply current in STOP mode			V _{DD} = 5.5 V V _{IN} = 5.3 V/0.2 V V _{MODE} = 5.3V/0.1V	-	10	20				
Peak current of intermittent operation (Notes 7 and 9)	I _{DDRP-P}		V _{DD} = 5.5 V V _{IN} = 5.3 V/0.2 V V _{MODE} = 5.3V/0.1V	When a program operates on flash memory or when data is being read from flash memory	-	10	-	mA		
Current for writing to flash memory, erasing and security program (Notes 4, 8 and 9)	I _{DDew}		V _{DD} = 5.5 V V _{IN} = 5.3 V/0.2 V V _{MODE} = 5.3V/0.1V		-	26	-			

Note 1: Typical values shown are Topr = 25°C and V_{DD} = 5.0 V, unless otherwise specified.

Note 2: I_{DD} does not include I_{REF}. It is the electrical current in the state in which the peripheral circuitry has been operated.

Note 3: V_{IN}: The input voltage on the pin except MODE pin, V_{MODE}: The input voltage on the MODE pin

Note 4: When performing a write or erase on the flash memory or activating a security program in the flash memory, make sure that the operating temperature Topr is within the range -40°C to 85°C. If the temperature is outside this range, the resultant performance cannot be guaranteed.

Note 5: In SLOW1 mode, the difference between the peak current and the average current becomes large.

- Note 6: Each supply current in SLOW2 mode is equivalent to that in IDLE0, IDLE1 and IDLE2 modes.
- Note 7: When a program operates in the flash memory or when data is being read from the flash memory, the flash memory operates intermittently, and a peak current flows, as shown in Figure 25-4. In this case, the supply current I_{DD} (in NORMAL1, NORMAL2 and SLOW1 modes) is defined as the sum of the average peak current and MCU current.
- Note 8: If a write or erase is performed on the flash memory or a security program is enabled in the flash memory, an instantaneous peak current flows, as shown in Figure 25-5.
- Note 9: The circuit of a power supply must be designed such as to enable the supply of a peak current. This peak current causes the supply voltage in the device to fluctuate. Connect a bypass capacitor of about 0.1 μF near the power supply of the device to stabilize its operation.

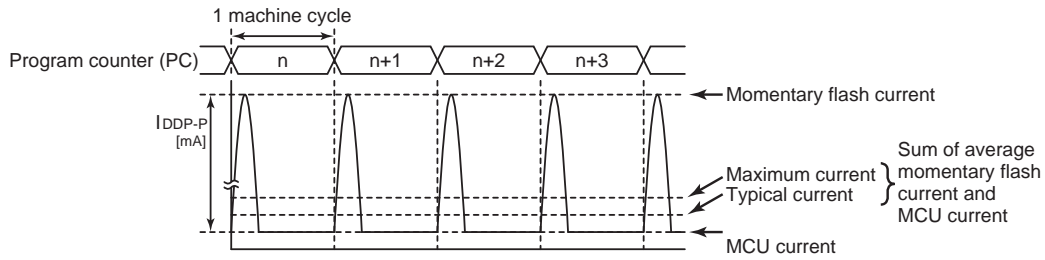


Figure 25-4 Intermittent Operation of Flash Memory

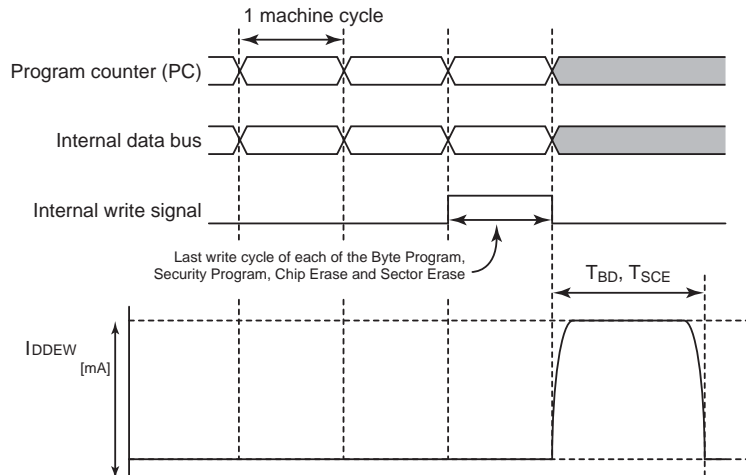


Figure 25-5 Current When an Erase or Write is Being Performed on the Flash Memory

25.4 AD Conversion Characteristics

($V_{SS} = 0.0\text{ V}$, $4.5\text{ V} \leq V_{DD} \leq 5.5\text{ V}$, $T_{opr} = -40\text{ to }85^\circ\text{C}$)

Parameter		Symbol	Condition	Min	Typ.	Max	Unit
Analog reference voltage		V_{AREF}		$A_{VDD} - 1.0$	-	A_{VDD}	V
Power supply voltage of analog control circuit		A_{VDD}		V_{DD}			
Analog reference voltage range (Note 4)		ΔV_{AREF}		3.5	-	-	
Analog input voltage range		V_{AIN}		V_{SS}	-	V_{AREF}	
Power supply current of analog reference voltage		I_{REF}	$V_{DD} = A_{VDD} = V_{AREF} = 5.5\text{ V}$ $V_{SS} = A_{VSS} = 0.0\text{ V}$	-	0.7	1.0	mA
conversion error (conversion times 9.75 μs)	Non-linearity error		$V_{DD} = A_{VDD} = 5.0\text{ V}$	-	-	± 6	LSB
	Zero point error		$V_{SS} = A_{VSS} = 0.0\text{ V}$	-	-	± 6	
	Full scale error		$V_{AREF} = 5.0\text{ V}$	-	-	± 6	
	Total error		conversion times 9.75 μs	-	-	± 6	
conversion error (conversion times 15.6 μs or more)	Non-linearity error		$V_{DD} = A_{VDD} = 5.0\text{ V}$	-	-	± 2	LSB
	Zero point error		$V_{SS} = A_{VSS} = 0.0\text{ V}$	-	-	± 2	
	Full scale error		$V_{AREF} = 5.0\text{ V}$	-	-	± 2	
	Total error		conversion times 15.6 μs or more	-	-	± 2	

- Note 1: The total error includes all errors except a quantization error, and is defined as the maximum deviation from the ideal conversion line.
- Note 2: Conversion times differ with variation in the power supply voltage.
- Note 3: The voltage to be input to the AIN input pin must be within the range V_{AREF} to V_{SS} . If a voltage outside this range is input, converted values will become indeterminate, and converted values of other channels will be affected.
- Note 4: Analog reference voltage range: $\Delta V_{AREF} = V_{AREF} - V_{SS}$
- Note 5: If the AD converter is not used, fix the A_{VDD} and V_{AREF} pins to the V_{DD} level.

25.5 Power-on Reset Circuit Characteristics

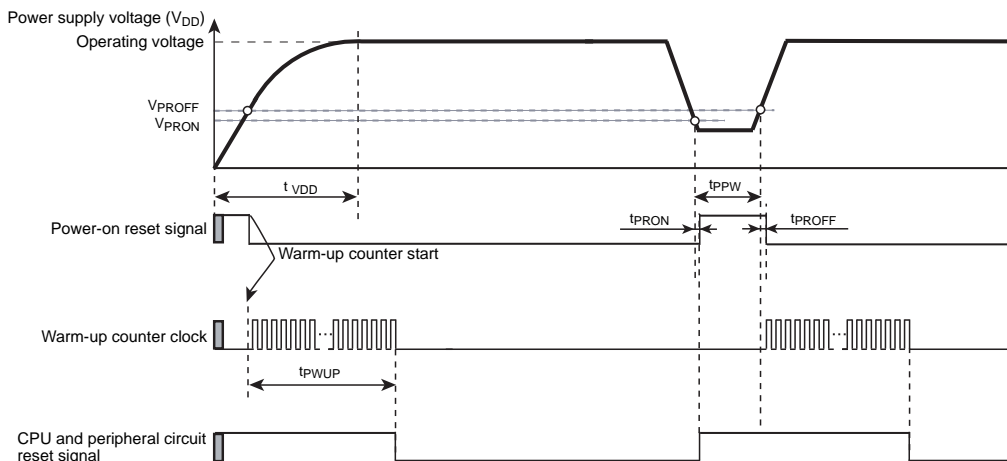


Figure 25-6 Power-on Reset Operation Timing

Note: Care must be taken in system designing since the power-on reset circuit may not fulfill its functions due to the fluctuations in the power supply voltage (V_{DD}).

($V_{SS}=0\text{ V}$, $T_{opr} = -40\text{ to }85^\circ\text{C}$)

Symbol	Parameter	Min.	Typ.	Max.	Unit
V_{PROFF}	Power-on reset releasing voltage ^{Note}	1.85	2.02	2.19	V
V_{PRON}	Power-on reset detecting voltage ^{Note}	1.70	1.85	2.00	
t_{PROFF}	Power-on reset releasing response time	-	0.01	0.1	ms
t_{PRON}	Power-on reset detecting response time	-	0.01	0.1	
t_{PRW}	Power-on reset minimum pulse width	1.0	-	-	
t_{PWUP}	Warming-up time after a reset is cleared	-	$102 \times 2^9/f_c$	-	s
t_{VDD}	Power supply rise time	-	-	5	ms

Note 1: Because the power-on reset releasing voltage and the power-on reset detecting voltage change relative to one another, the detected voltage will never become inverted.

Note 2: A clock output by an oscillating circuit is used as the input clock for a warming-up counter. Because the oscillation frequency does not stabilize until an oscillating circuit stabilizes, some errors may be included in the warming-up time.

Note 3: Boost the power supply voltage such that t_{VDD} becomes smaller than t_{PWUP} .

25.6 Voltage Detecting Circuit Characteristics

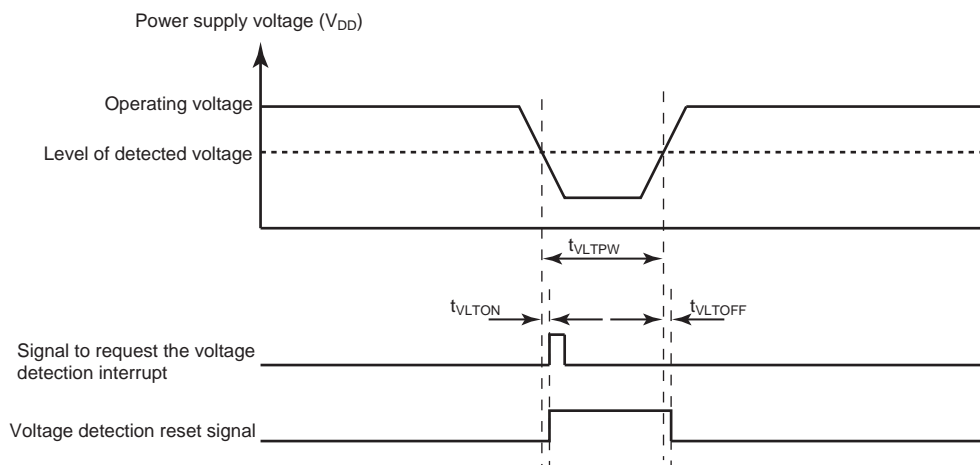


Figure 25-7 Operation Timing of the Voltage Detecting Circuit

Note: Care must be taken in system designing since the power-on reset circuit may not fulfill its functions due to the fluctuations in the power supply voltage (V_{DD}).

($V_{SS} = 0\text{ V}$, $T_{opr} = -40\text{ to }85^\circ\text{C}$)

Symbol	Parameter	Min.	Typ.	Max.	Unit
t_{VLTOFF}	Voltage detection releasing response time	-	0.01	0.1	ms
t_{VLTON}	Voltage detecting detection response time	-	0.01	0.1	
t_{VLTPW}	Voltage detecting minimum pulse width	1.0	-	-	

25.7 AC Characteristics

25.7.1 MCU mode (Flash programming or erasing)

(V_{SS} = 0 V, V_{DD} = 4.5 V to 5.5 V, Topr = -40 to 85°C)

Parameter	Symbol	Condition	Min	Typ.	Max	Unit
Machine cycle time	t _{cy}	NORMAL1, 2 modes	0.125	-	4	μs
		IDLE0, 1, 2 modes				
		SLOW1, 2 modes	117.6	-	133.3	
		SLEEP0, 1 modes				
High-level clock pulse width	t _{WCH}	For external clock operation (XIN input). fc = 8.0 MHz	-	62.5	-	ns
Low-level clock pulse width	t _{WCL}					
High-level clock pulse width	t _{WSH}	For external clock operation (XTIN input)	-	15.26	-	μs
Low-level clock pulse width	t _{WSL}	fs = 32.768 kHz				

25.7.2 MCU mode (Except Flash Programming or erasing)

(V_{SS} = 0 V, V_{DD} = 4.5 V to 5.5 V, Topr = -40 to 85°C)

Parameter	Symbol	Condition	Min	Typ.	Max	Unit
Machine cycle time	t _{cy}	NORMAL1, 2 modes	0.125	-	4	μs
		IDLE0, 1, 2 modes				
		SLOW1, 2 modes	117.6	-	133.3	
		SLEEP0, 1 modes				
High-level clock pulse width	t _{WCH}	For external clock operation (XIN input). fc = 8.0 MHz	-	62.5	-	ns
Low-level clock pulse width	t _{WCL}					
High-level clock pulse width	t _{WSH}	For external clock operation (XTIN input)	-	15.26	-	μs
Low-level clock pulse width	t _{WSL}	fs = 32.768 kHz				

25.7.3 Serial PROM mode

(V_{SS} = 0 V, V_{DD} = 4.5 V to 5.5 V, Topr = -40 to 85°C)

Parameter	Symbol	Condition	Min	Typ.	Max	Unit
Machine cycle time	t _{cy}	NORMAL1, 2 modes	0.125	-	4	μs
		IDLE0, 1, 2 modes				
		SLOW1, 2 modes	117.6	-	133.3	
		SLEEP0, 1 modes				
High-level clock pulse width	t _{WCH}	For external clock operation (XIN input). fc = 8.0 MHz	-	62.5	-	ns
Low-level clock pulse width	t _{WCL}					
High-level clock pulse width	t _{WSH}	For external clock operation (XTIN input)	-	15.26	-	μs
Low-level clock pulse width	t _{WSL}	fs = 32.768 kHz				

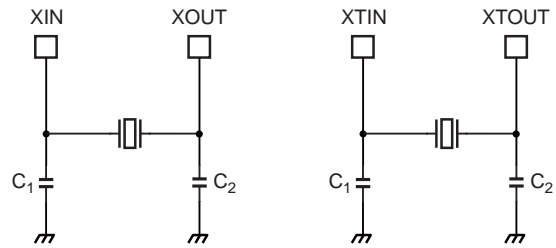
25.8 Flash Characteristics

25.8.1 Write characteristics

(V_{SS} = 0 V, T_{opr} = -40 to 85°C)

Parameter	Condition	Min	Typ.	Max	Unit
Number of guaranteed writes to flash memory		-	-	1000	Times
Flash memory write time		-	-	40	μs
Flash memory erase time	Chip erase	-	-	40	ms
	Sector erase	-	-	40	

25.9 Oscillating Condition



(1) High-frequency oscillation

(2) Low-frequency oscillation

Note 1: To ensure stable oscillation, the resonator position, load capacitance, etc. must be appropriate. Because these factors are greatly affected by board patterns, please be sure to evaluate operation on the board on which the device will actually be mounted.

Note 2: The product numbers and specifications of the resonators supplied by Murata Manufacturing Co., Ltd. are subject to change.

For up to date information, please refer to the following
<http://www.murata.com>

25.10 Handling Precaution

- The solderability test conditions are shown below.

1. When using the Sn-37Pb solder bath

Solder bath temperature = 230°C

Dipping time = 5 seconds

Number of times = once

R-type flux used

2. When using the Sn-3.0Ag-0.5Cu solder bath

Solder bath temperature = 245°C

Dipping time = 5 seconds

Number of times = once

R-type flux used

The pass criterion of the above test is as follows: Solderability rate until forming $\geq 95\%$

- When using the device (oscillator) in places exposed to high electric fields such as cathode-ray tubes, we recommend electrically shielding the package in order to maintain normal operating condition.

RESTRICTIONS ON PRODUCT USE

- Toshiba Corporation, and its subsidiaries and affiliates (collectively "TOSHIBA"), reserve the right to make changes to the information in this document, and related hardware, software and systems (collectively "Product") without notice.
- This document and any information herein may not be reproduced without prior written permission from TOSHIBA. Even with TOSHIBA's written permission, reproduction is permissible only if reproduction is without alteration/omission.
- Though TOSHIBA works continually to improve Product's quality and reliability, Product can malfunction or fail. Customers are responsible for complying with safety standards and for providing adequate designs and safeguards for their hardware, software and systems which minimize risk and avoid situations in which a malfunction or failure of Product could cause loss of human life, bodily injury or damage to property, including data loss or corruption. Before customers use the Product, create designs including the Product, or incorporate the Product into their own applications, customers must also refer to and comply with (a) the latest versions of all relevant TOSHIBA information, including without limitation, this document, the specifications, the data sheets and application notes for Product and the precautions and conditions set forth in the "TOSHIBA Semiconductor Reliability Handbook" and (b) the instructions for the application with which the Product will be used with or for. Customers are solely responsible for all aspects of their own product design or applications, including but not limited to (a) determining the appropriateness of the use of this Product in such design or applications; (b) evaluating and determining the applicability of any information contained in this document, or in charts, diagrams, programs, algorithms, sample application circuits, or any other referenced documents; and (c) validating all operating parameters for such designs and applications. **TOSHIBA ASSUMES NO LIABILITY FOR CUSTOMERS' PRODUCT DESIGN OR APPLICATIONS.**
- Product is intended for use in general electronics applications (e.g., computers, personal equipment, office equipment, measuring equipment, industrial robots and home electronics appliances) or for specific applications as expressly stated in this document. Product is neither intended nor warranted for use in equipment or systems that require extraordinarily high levels of quality and/or reliability and/or a malfunction or failure of which may cause loss of human life, bodily injury, serious property damage or serious public impact ("Unintended Use"). Unintended Use includes, without limitation, equipment used in nuclear facilities, equipment used in the aerospace industry, medical equipment, equipment used for automobiles, trains, ships and other transportation, traffic signaling equipment, equipment used to control combustions or explosions, safety devices, elevators and escalators, devices related to electric power, and equipment used in finance-related fields. Do not use Product for Unintended Use unless specifically permitted in this document.
- Do not disassemble, analyze, reverse-engineer, alter, modify, translate or copy Product, whether in whole or in part.
- Product shall not be used for or incorporated into any products or systems whose manufacture, use, or sale is prohibited under any applicable laws or regulations.
- The information contained herein is presented only as guidance for Product use. No responsibility is assumed by TOSHIBA for any infringement of patents or any other intellectual property rights of third parties that may result from the use of Product. No license to any intellectual property right is granted by this document, whether express or implied, by estoppel or otherwise.
- **ABSENT A WRITTEN SIGNED AGREEMENT, EXCEPT AS PROVIDED IN THE RELEVANT TERMS AND CONDITIONS OF SALE FOR PRODUCT, AND TO THE MAXIMUM EXTENT ALLOWABLE BY LAW, TOSHIBA (1) ASSUMES NO LIABILITY WHATSOEVER, INCLUDING WITHOUT LIMITATION, INDIRECT, CONSEQUENTIAL, SPECIAL, OR INCIDENTAL DAMAGES OR LOSS, INCLUDING WITHOUT LIMITATION, LOSS OF PROFITS, LOSS OF OPPORTUNITIES, BUSINESS INTERRUPTION AND LOSS OF DATA, AND (2) DISCLAIMS ANY AND ALL EXPRESS OR IMPLIED WARRANTIES AND CONDITIONS RELATED TO SALE, USE OF PRODUCT, OR INFORMATION, INCLUDING WARRANTIES OR CONDITIONS OF MERCHANTABILITY, FITNESS FOR A PARTICULAR PURPOSE, ACCURACY OF INFORMATION, OR NONINFRINGEMENT.**
- Do not use or otherwise make available Product or related software or technology for any military purposes, including without limitation, for the design, development, use, stockpiling or manufacturing of nuclear, chemical, or biological weapons or missile technology products (mass destruction weapons). Product and related software and technology may be controlled under the Japanese Foreign Exchange and Foreign Trade Law and the U.S. Export Administration Regulations. Export and re-export of Product or related software or technology are strictly prohibited except in compliance with all applicable export laws and regulations.
- Please contact your TOSHIBA sales representative for details as to environmental matters such as the RoHS compatibility of Product. Please use Product in compliance with all applicable laws and regulations that regulate the inclusion or use of controlled substances, including without limitation, the EU RoHS Directive. TOSHIBA assumes no liability for damages or losses occurring as a result of noncompliance with applicable laws and regulations.

