



Absolute Maximum Ratings at T_A=25°C

REVERSE VOLTAGE (<100μ A).....	GaAsP RED 3.0 V, OTHER 5.0V
D.C. FORWARD CURRENT	30 mA
PULSE CURRENT (1/10 DUTY CYCLE,0.1 ms PULSE WIDTH).....	100 mA
OPERATING TEMPERATURE RANGE.....	-25°C TO +85°C
STORAGE TEMPERATURE RANGE.....	-25°C TO +100°C
LEAD SOLDERING TEMP. (1.6mm FROM BODY).....	260°C FOR 5

Electrical/optical characteristics at T_A=25°C

PART NUMBER	LED CHIP	LED CHIP		LEN'S COLOR		PEAK WAVELENGTH @20 mA (nm)	FORWARD VOLTAGE @20mA(V)		LUMINOUS INTENSITY @20mA(mcd)		VIEW ANGLE 2θ 1/2 (deg)
		MATERIAL	EMITTING COLOR				TYP.	MAX.	MIN.	TYP.	
L295GD-LC	L295GW-LC	Gap	GREEN	G.D.	W.D.	567	1.8	2.2	1.0	1.7	54
L295YD-LC	L295YW-LC	GaAsP ON GaP	YELLOW	Y.D.	W.D.	585	1.8	2.2	0.8	1.4	54
L295OD-LC	L295OW-LC	GaAsP ON GaP	ORANGE	O.D.	W.D.	635	1.8	2.2	1.2	1.9	54
L295HD-LC	-----	GaAsP ON GaP	High-Eff RED	R.D.		635	1.8	2.2	1.2	1.9	54
L295GC-LC	L295GT-LC	Gap	GREEN	W.C.	G.C.	567	1.8	2.2	3.4	5.7	40
L295YC-LC	L295YT-LC	GaAsP ON GaP	YELLOW	W.C.	Y.C.	585	1.8	2.2	2.8	4.7	40
L295OC-LC	L295OT-LC	GaAsP ON GaP	ORANGE	W.C.	O.C.	635	1.8	2.2	4.0	6.6	40
-----	L295HT-LC	GaAsP ON GaP	High-Eff RED	R.C.		635	1.8	2.2	4.0	6.6	40

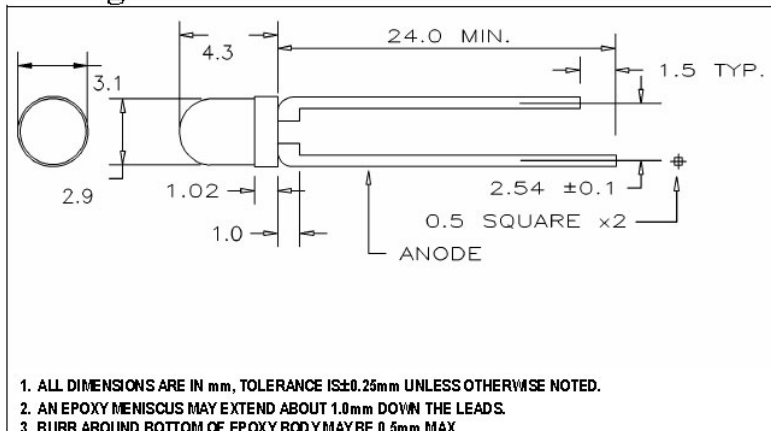
(1) LEN'S COLOR

- R.C. RED CLEAR
- Y.C. YELLOW CLEAR
- W.C. WHITE CLEAR
- G.C. GREEN CLEAR
- O.C. ORANGE CLEAR
- R.D. RED DIFFUSED
- Y.D. YELLOW DIFFUSED
- W.D. WHITE DIFFUSED
- G.D. GREEN DIFFUSED
- O.D. ORANGE DIFFUSED

(2) SPECIFICATIONS ARE SUBJECT TO CHANGE WITHOUT NOTICE.

(3) ALL ABOVE COMPONENTS ARE CONSIDERED. DEVIATIONS FROM STATED SPECIFICATIONS WILL REQUIRE A NEW PART NUMBER BE ASSIGNED.

Package Dimensions



Radiation Pattern

