

Features

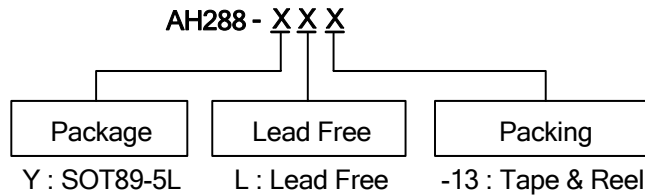
- On chip Hall sensor
- Rotor-locked shutdown
- Automatically restart
- Frequency generator (FG) output
- Built-in Zener protection for output driver
- Operating voltage: 3.8V~28V
- Output current: $I_{O(AVE)} = 400\text{mA}$
- Lead Free Package: SOT89-5L
- Lead Free Finish/RoHS Compliant (Note 1)

General Description

AH288 is a monolithic fan motor controller with Hall sensor's capability. It contains two complementary open-drain transistors as motor coil drivers, automatic lock current shutdown, and recovery protections. Additional, frequency generator (FG) output is for speed detection relatively.

Rotor-lock shutdown detection circuit turns off the output driver when the rotor is blocked to avoid coil overheat. Then, the automatic recovery circuit will restart the motor. These protected actions are repeated and periodic during the blocked period. Until the blocking is removed, the motor recovers and runs normally.

Ordering Information

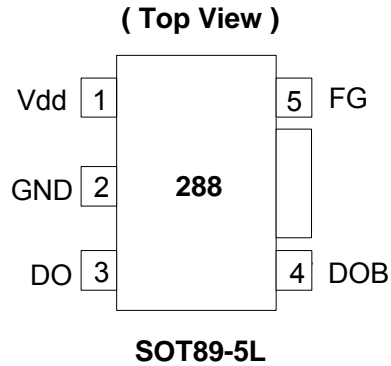


Note: 1. RoHS revision 13.2.2003. Glass and High Temperature Solder Exemptions Applied, see *EU Directive Annex Notes 5 and 7*.

Device	Package Code	Packaging (Note 2)	-13" Tape and Reel (Note 3)	
			Quantity	Part Number Suffix
AH288-Y	Y	SOT89-5L	2500/Tape & Reel	-13

- Note: 2. Pad layout as shown on Diodes Inc. suggested pad layout document AP02001, which can be found on our website at <http://www.diodes.com/datasheets/ap02001.pdf>.
3. Reverse taping as shown on Diodes Inc. Surface Mount (SMD) Packaging document AP02007, which can be found on our website at <http://www.diodes.com/datasheets/ap02007.pdf>.

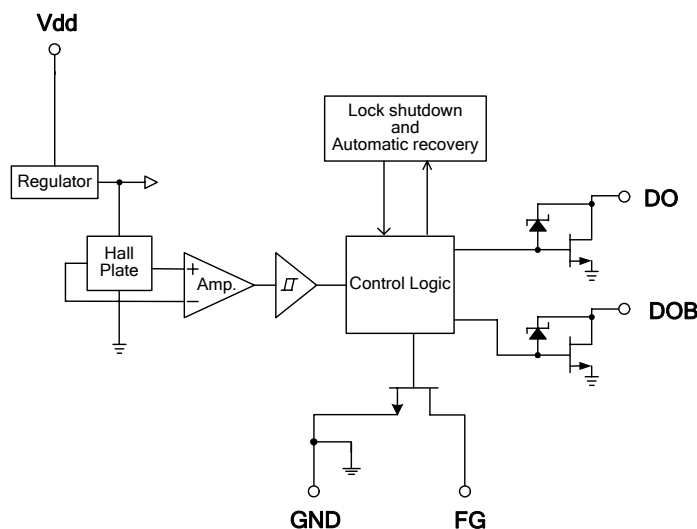
Pin Assignments



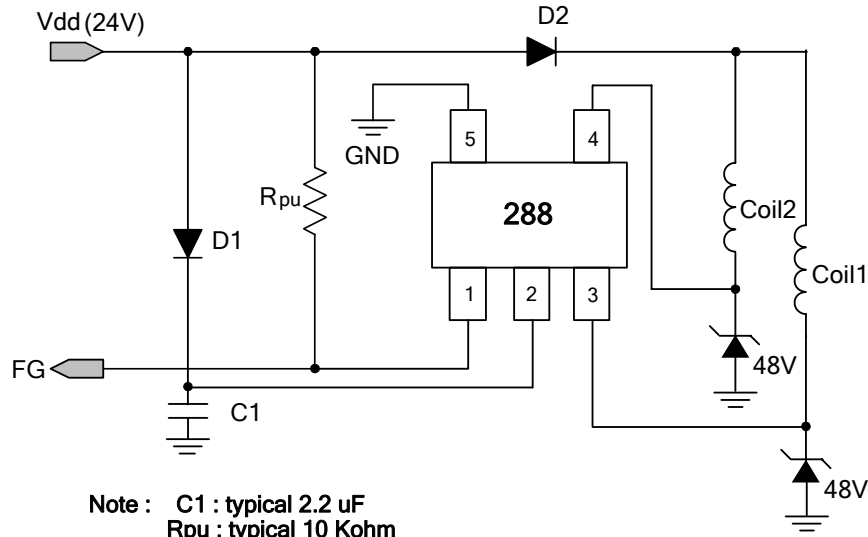
Pin Descriptions

Pin Name	Pin No.	Description
Vdd	1	Input power
GND	2	Ground
DO	3	Output pin
DOB	4	Output pin
FG	5	Frequency generation

Block Diagram



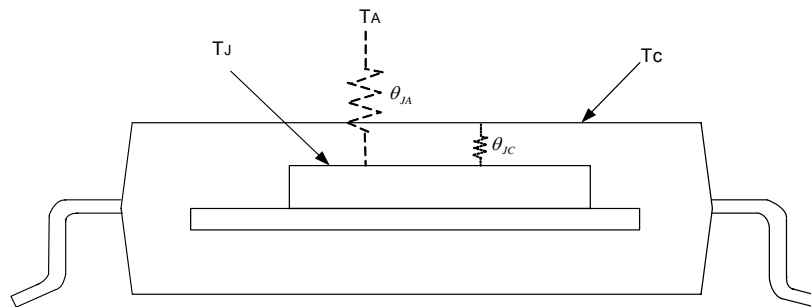
Typical Application Circuit



24V DC Brush-less Fan with FG output function

Symbol	Parameter	Rating	Unit
Vdd	Supply Voltage	30	V
$I_{O(AVE)}$	Output Current	400	mA
$I_{O(PEAK)}$		700	
P_D	Power Dissipation	800	mW
T_{OP}	Operating Temperature	-40 ~ 100	°C
T_{ST}	Storage Temperature	-55 ~ 150	°C
T_J	Maximum Junction Temperature	150	°C

Absolute Maximum Ratings (TA = 25°C)



Note: 4. θ_{JA} should be confirmed with what heat sink thermal resistance. If no heat sink contacting, θ_{JA} is almost the same as θ_{JC} .

Electrical Characteristics (TA = 25 °C, Vdd = 24V, unless otherwise specified)

Symbol	Parameter	Conditions	Min	Typ.	Max	Unit
V _{dd}	Supply Voltage	Operating	3.8	-	28*	V
I _{CC}	Supply Current	Operating	-	2	4	mA
I _{OFF}	Output Leakage Current	V _{OUT} = 24V	-	< 0.1	10	μA
T _{LRP-ON}	Locked Protection On		0.4	0.46	0.6	Sec
T _{LRP-OFF}	Locked Protection Off		2.4	2.76	3.6	Sec
V _{OUT(SAT)}	Output Saturation Voltage	I _o = 200mA	-	450	700	mV
		I _o = 300mA	-	680	800	
R _{DS(ON)}	Output On Resistance	I _o = 200mA	-	2.25	3.5	ohm
V _{OL}	FG Output Vds	I _o = 10mA	-	0.3	0.5	V
V _Z	Output Zener-breakdown Voltage		42	55	65	V
θ _{JA}	Thermal Resistance Junction-to-Ambient	SOT89-5L		156		°C/W

Note: 5. Please watch the current limit issue when the operation voltage is over 26.4V, because of the different efficiency in the coil.

Truth Table

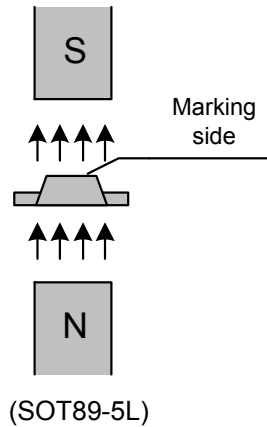
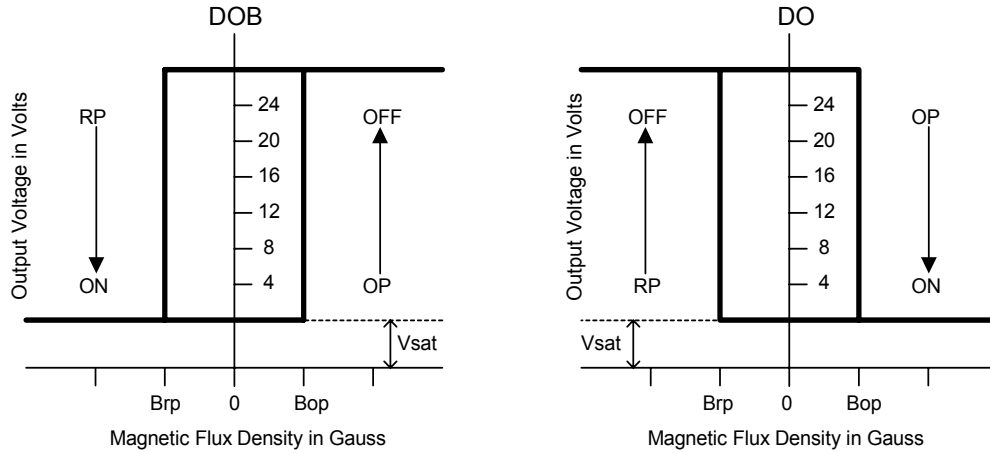
IN-	IN+	CT	OUT1	OUT2	FG	Mode
H	L	L	H	L	H	Rotating
L	H	L	L	H	L	Rotating
-	-	H	off	off	-	Lockup protection activated

Magnetic Characteristics (TA = 25 °C, Vdd = 24V, unless otherwise specified)

(1mT=10 Gauss)

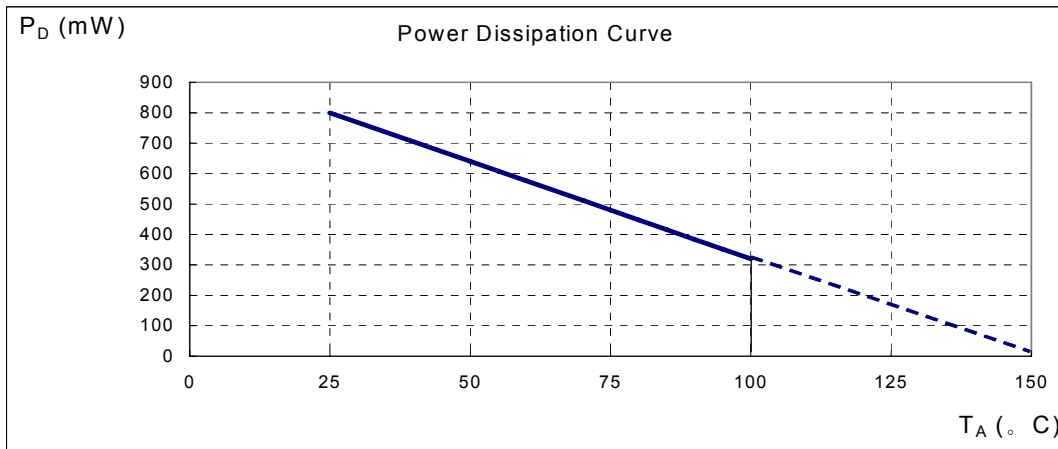
Symbol	Characteristics	Min	Typ.	Max	Unit
Bop	Operate Point	10	30	60	Gauss
Brp	Release Point	-60	-30	-10	Gauss
Bhy	Hysteresis	-	60	-	Gauss

Operating Characteristics



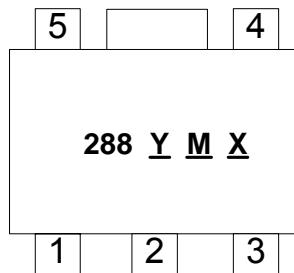
Performance Characteristics (SOT89-5L)

T_A (°C)	25	50	60	70	75	80	85	90	95	100
P_D (mW)	800	640	576	512	480	448	416	384	352	320
T_A (°C)	105	110	115	120	125	130	135	140	145	150
P_D (mW)	288	256	224	192	160	128	96	64	32	0



Marking Information

(Top View)

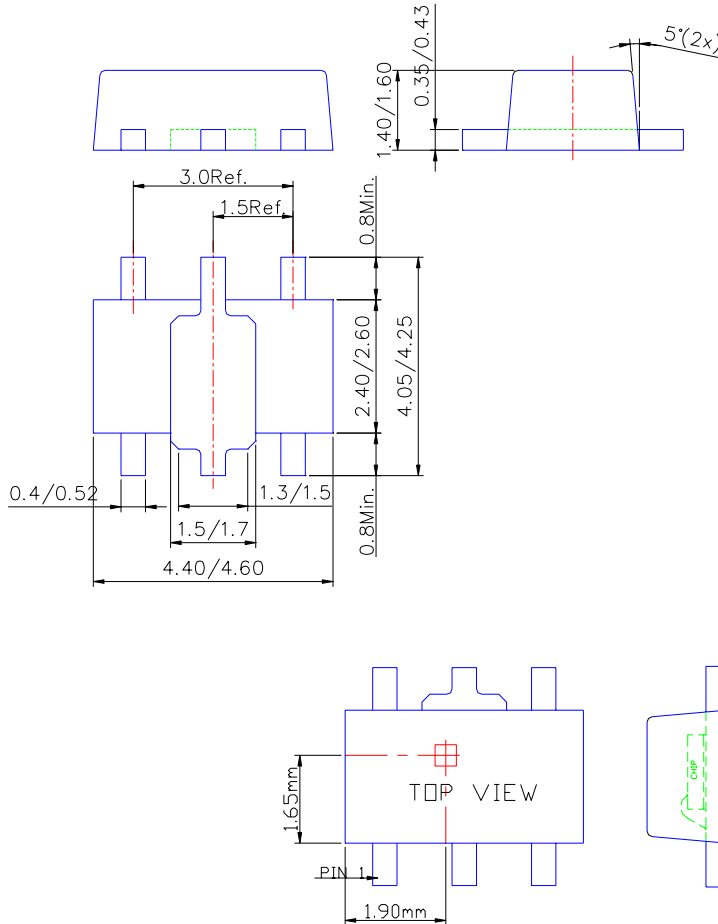


Y : Year: 0-9
M : Month: A~L
X : Internal code a~z: Lead Free

SOT89-5L

Package Information (unit: mm)

(1) Package type: SOT89-5L



Sensor Location

IMPORTANT NOTICE

Diodes Incorporated and its subsidiaries reserve the right to make modifications, enhancements, improvements, corrections or other changes without further notice to any product herein. Diodes Incorporated does not assume any liability arising out of the application or use of any product described herein; neither does it convey any license under its patent rights, nor the rights of others. The user of products in such applications shall assume all risks of such use and will agree to hold Diodes Incorporated and all the companies whose products are represented on our website, harmless against all damages.

LIFE SUPPORT

Diodes Incorporated products are not authorized for use as critical components in life support devices or systems without the expressed written approval of the President of Diodes Incorporated.