

DROP-IN ISO-ATTENUATOR

Features

- Low Cost
- Industry Standard 1 Inch Drop-in package
- Designed for Wireless Telecom Systems
- 50 Ohms Characteristic Impedance

Description

The PA0903DG-41 is a small low cost drop-in Iso-Attenuator designed for applications in high performance linear power amplifiers for wireless base stations. These Iso-Attenuators feature a robust construction for high reliability with excellent IMD performance. CCW rotation and special tab offsets available on request. S-Parameters are also available on request.



Specifications

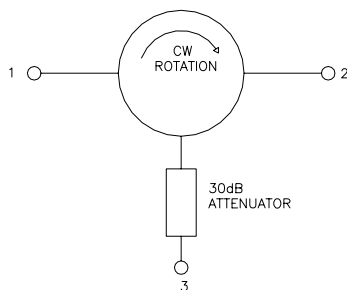
Parameter	Minimum	Typical	Maximum
Frequency Range (MHz)	885		920
Insertion Loss (dB)		<. 15	.30
Isolation (dB)	20	>23	
Return Loss (dB)	20	>30	
Attenuation (dB)	29	30	31
IMD (dBc) 2T x 37.5 Watts	-70	-75	

Absolute Maximum Ratings

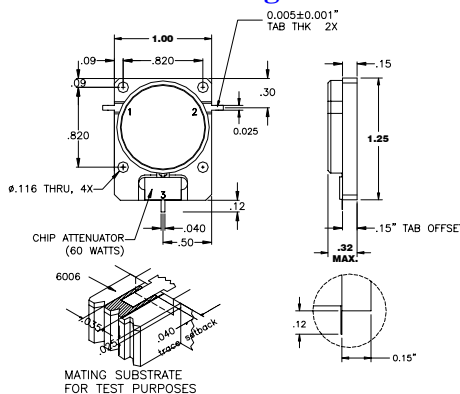
Parameter	Maximum
Forward Power	100 Watts
Reverse Power	60 Watts
Operating Temperature	-40 to +85 °C
Storage Temperature	-40 to +85 °C

Note: Typical values represent Mid-band performance @ 25°C.

Schematic



Package



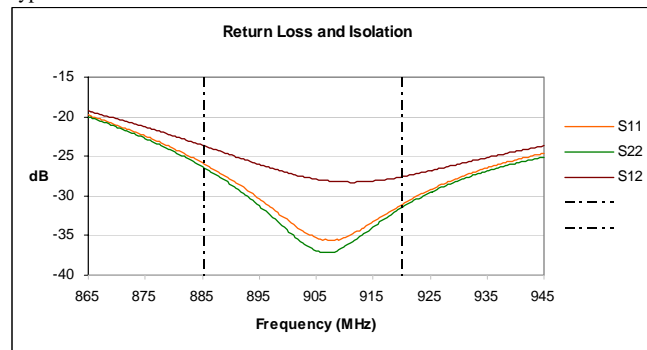
Pin Functions

Function	Pin
INPUT	1
OUTPUT	2
ATTENUATION	3

Typical Test Data – Insertion Loss



Typical Test Data – Return Loss and Isolation



Specifications and information on this data sheet are subject to change without notice..

1860 Hartog Drive, San Jose, California 95131 USA
 Leffelholzstr. 20, D-90441, Nurnberg, Germany
 2/1-2F, No.99 Lane 2535 Gudai Rd, Shanghai, China PC 201100

Tel: 001-408-436-7720
 Tel: +49(0)911/9411 233
 Tel: (86)21-5416-8648

Fax: 001-408-436-7689
 Fax: +49(0)911/9411 198
 Fax: (86)21-5416-8753

Email: Sales@premierdevices.com
 Email: Sales.germany@premierdevices.com
 Email: Sales.china@premierdevices.com