

**DROP-IN ISO-ATTENUATOR**

**Features**

- Low Cost
- Industry Standard 1 Inch Drop-in package
- Designed for Wireless Telecom Systems
- 50 Ohms Characteristic Impedance

**Description**

The PA0943DG-42 is a small low cost drop-in Iso-Attenuator designed for applications in high performance linear power amplifiers for wireless base stations. These Iso-Attenuators feature a robust construction for high reliability with excellent IMD performance. CCW rotation and special tab offsets available on request. S-Parameters are also available on request.



**Specifications**

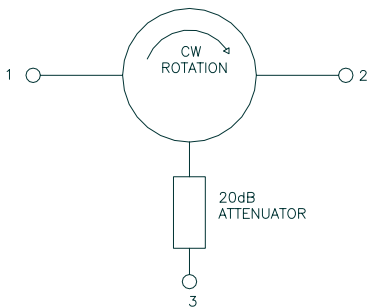
Parameter	Minimum	Typical	Maximum
Frequency Range (MHz)	925		960
Insertion Loss (dB)		<. 18	.30
Isolation (dB)	20	>30	
Return Loss (dB)	20	>30	
Attenuation (dB)	29	20	31
IMD (dBc) 2T x 37.5 Watts	-70	-75	

**Absolute Maximum Ratings**

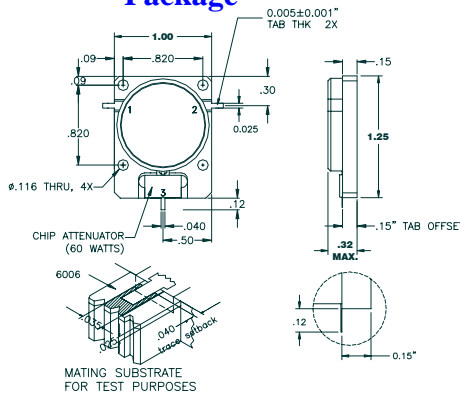
Parameter	Maximum
Forward Power	100 Watts
Reverse Power	60 Watts
Operating Temperature	-40 to +85 °C
Storage Temperature	-40 to +85 °C

Note: Typical values represent Mid-band performance @ 25°C.

**Schematic**



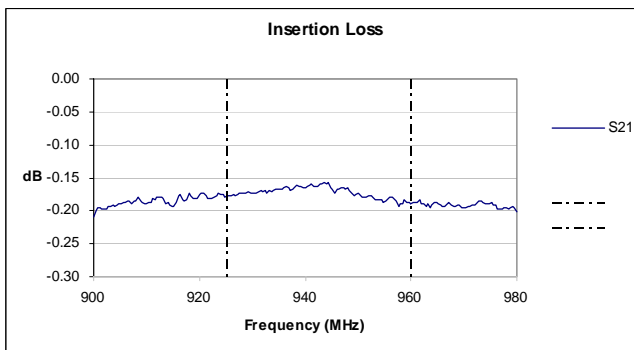
**Package**



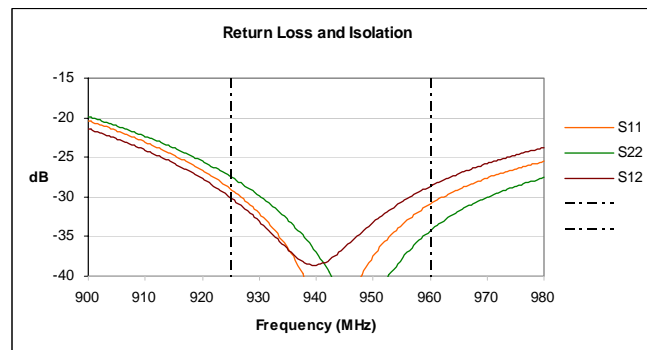
**Pin Functions**

Function	Pin
INPUT	1
OUTPUT	2
ATTENUATION	3

Typical Test Data – Insertion Loss



Typical Test Data – Return Loss and Isolation



Specifications and information on this data sheet are subject to change without notice..

1860 Hartog Drive, San Jose, California 95131 USA  
 Leffelholzstr. 20, D-90441, Nurnberg, Germany  
 2/1-2F, No.99 Lane 2535 Gudai Rd, Shanghai, China PC 201100

Tel: 001-408-436-7720  
 Tel: +49(0)911/9411 233  
 Tel: (86)21-5416-8648

Fax: 001-408-436-7689  
 Fax: +49(0)911/9411 198  
 Fax: (86)21-5416-8753

Email: [Sales@premierdevices.com](mailto:Sales@premierdevices.com)  
 Email: [Sales.germany@premierdevices.com](mailto:Sales.germany@premierdevices.com)  
 Email: [Sales.china@premierdevices.com](mailto:Sales.china@premierdevices.com)