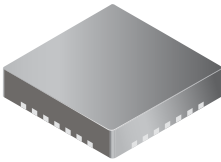


Single Phase Fan Pre-Driver

Features and Benefits

- Synchronous rectification for low power dissipation
- Drives four N-channel MOSFETs
- Internal UVLO and thermal shutdown circuitry
- Hall element input
- PWM current limiting
- Dead time protection
- FG output
- RD output
- Lock detect protection
- High V_{BB} absolute maximum
- Soft start

Package: 28-pin QFN with exposed thermal pad (suffix ET)



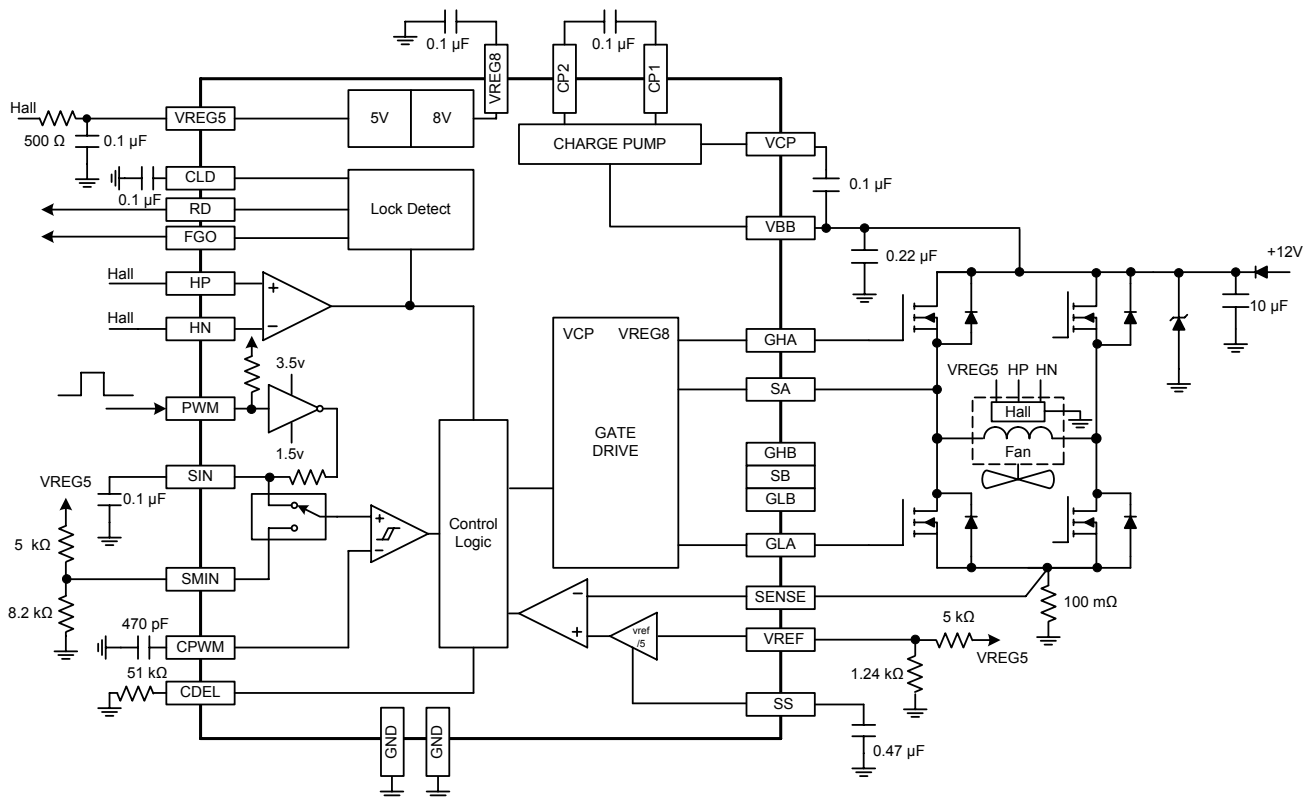
Approximate size

Description

Designed for pulse width modulated (PWM) current control of single phase brushless fans, the A4930 minimizes external component count and integrates all the key features required for high-current fans. Internal synchronous rectification control circuitry is provided to improve power dissipation in the external MOSFETs during PWM operation. Internal circuit protection includes thermal shutdown with hysteresis, rotor lock, and dead time protection.

The A4930 is supplied in a 0.90 nominal overall height, 5 mm × 5 mm, 28-pin QFN with exposed thermal pad, (suffix ET). It is lead (Pb) free with 100% matte tin leadframe plating.

Functional Block Diagram



Selection Guide

Part Number	Packing
A4930METTR-T	1500 pieces per 7-in. reel

Absolute Maximum Ratings

Characteristic	Symbol	Notes	Rating	Units
Load Supply Voltage	V_{BB}		36	V
Hall Input	V_{Hx}		-0.3 to 6	V
Logic Input Voltage Range	V_{IN}		-0.3 to 6	V
Operating Temperature Range	T_A	Range M	-20 to 105	°C
Junction Temperature	$T_J(\text{max})$		150	°C
Storage Temperature Range	T_{stg}		-40 to 150	°C

THERMAL CHARACTERISTICS may require derating at maximum conditions

Characteristic	Symbol	Test Conditions*	Value	Units
Package Thermal Resistance	$R_{\theta JA}$	4-layer PCB based on JEDEC standard	32	°C/W

*Additional thermal information available on Allegro website.

ELECTRICAL CHARACTERISTICS¹ valid at $T_A = 25^\circ\text{C}$, $V_{BB} = 12\text{ V}$, unless noted otherwise

Characteristic	Symbol	Test Conditions	Min.	Typ. ²	Max.	Units
Load Supply Voltage Range	V_{BB}	Operating	8	12	36	V
Motor Supply Current	I_{BB}	$f_{PWM} < 30\text{ kHz}$, $C_{load} = 1000\text{ pf}$	–	5	7	mA
VREG5	V_5	$I_{load} = 10\text{ mA}$	4.7	5	5.3	V
VREG5 Current Limit	I_{REG5}		15	–	–	mA
VREG5 Load Regulation	V_{REG5}	$I_{REG5} = 1\text{ to }10\text{ mA}$	–	12	30	mV
Control Logic						
Logic Input Voltage	$V_{IN(1)}$		2	–	–	V
	$V_{IN(0)}$		–	–	0.8	V
PWM Pin Input Current	$I_{IN(0)}$	$V_{IN} = 0$, 50 k Ω pull-up	–	–100	–	μA
Other Logic Pin Input Current	$I_{IN(1)}$	$V_{IN} = 3.3$	–	–34	–	μA
Gate Drive						
High Side Gate Drive Output	V_{GHx}	Relative to V_{BB} , $V_{BB} = 12\text{ V}$	7	–	–	V
Low Side Gate Drive Output	V_{GLx}		7	–	8.5	V
Gate Drive Current Turn-on	I_G	$GHx = GLx = 4\text{ V}$	–	20	–	mA
Gate Drive Pulldown	R_{DS}		–	40	–	Ω
Dead Time	t_{DEAD}		700	1000	1300	ns
Control						
Soft Start Time	t_{SS}	$C_{LD} = 0.47\text{ }\mu\text{F}$	–	300	–	ms
Internal PWM Frequency	f_{PWM}	$C_{PWM} = 470\text{ pF}$	15	21	27	kHz
CPWM Output Voltage	V_{PP}	$C_{PWM} = 470\text{ pF}$	–	2	–	V
CPWM Low Threshold	V_{LO}		–	1.5	–	V
CPWM High Threshold	V_{HI}		–	3.5	–	V
SIN Input Impedance	Z_{IN}		–	200	–	k Ω
Protection						
Thermal Shutdown Temperature	T_{JTSD}		–	165	–	$^\circ\text{C}$
Thermal Shutdown Hysteresis	$T_{JTSDhys}$		–	15	–	$^\circ\text{C}$

Continued on the next page...

ELECTRICAL CHARACTERISTICS¹ valid at $T_A = 25^\circ\text{C}$, $V_{BB} = 12\text{ V}$, unless noted otherwise

Characteristic	Symbol	Test Conditions	Min.	Typ. ²	Max.	Units
VBB Undervoltage Lockout Enable Threshold	V_{BBUV}	Rising V_{BB}	–	7.5	7.85	V
VBB Undervoltage Lockout Hysteresis	$V_{BBUVhys}$		0.3	0.8	–	V
VCP Undervoltage Lockout Enable Threshold	V_{CPIV}	Relative to V_{BB} , V_{BB} rising	–	5.4	–	V
Lock Detect On-Time	t_{LDon}	$C_{LD} = 0.1\ \mu\text{F}$	–	1	–	s
Lock Detect Off-Time	t_{LDOff}	$C_{LD} = 0.1\ \mu\text{F}$	–	15	–	s
Hall Logic						
Hall Input Current	I_{HALL}	$V_{IN} = 1.2\text{ V}$	–1	0	1	μA
Common Mode Input Range	V_{CMR}		0.2	–	3	V
AC Input Voltage Range	V_{HALL}		60	–	–	mVp-p
Hall Threshold	V_{th}	Difference in Halls at FG transition	–	10	–	mV
Hysteresis Width	V_{HYS}		5	20	35	mV
Pulse Reject Filter	V_{PU}		–	50	–	mv
Commutation Delay	t_{CD}	$R_{CDEL} = 50\ \text{k}\Omega$	1	2	3	μs
FG and RD Outputs						
Output Saturation Voltage	V_{OL}	$I = 2\ \text{mA}$	–	0.27	0.4	V
Leakage Current	V_{OH}	$V = 5\ \text{V}$	–	–	1	μA

¹For input and output current specifications, negative current is defined as coming out of (sourcing) the specified device pin.

²Typical data are for initial design estimations only, and assume optimum manufacturing and application conditions. Performance may vary for individual units, within the specified maximum and minimum limits.

Functional Description

VREG5 This pin should be decoupled with a 0.1 μF capacitor to ground. VREG5 can supply up to 15 mA, which can be used to power the external Hall element.

VREG8 This pin should be decoupled with a 0.1 μF capacitor to ground. VREG8 is used to power the low-side gate drive circuits.

Charge Pump The charge pump is used to generate a supply above V_{BB} to drive the high-side MOSFETs. The VCP voltage is internally monitored, and in the case of a fault condition, the outputs of the device are disabled.

Lock Detect The IC detects a locked rotor condition by checking to ensure that the FG output signal is continuously changing. The length of time allowed for a stoppage before evaluating a locked condition, t_{LD} , is set by a capacitor connected to the CLD pin. C_{LD} produces a triangle waveform with a frequency that is linearly related to the capacitor value. The definition of t_{LD} is defined as 8 cycles of this triangle waveform, and its value can be calculated as:

$$t_{\text{LD}} = C_{\text{LD}} \times (10 \text{ s} / \mu\text{F}) \quad (1)$$

If an FG transition is not detected within t_{LD} , the IC will disable the appropriate source driver and hold both sink drivers on. The circuit will automatically retry with a 15:1 ratio of off-time to on-time. An RD pin logic high indicates this fault condition.

Current Limit and Soft Start To minimize demand on the power supply, peak current is controlled. Initially, with the fan at a stand-still, the turn-on of the bridge results in current rising according to the L/R time constant of the motor. To prevent over-stress, this peak current is regulated by an internal PWM control circuit. When the outputs of the full-bridge are turned on, current increases in the motor winding until it reaches a value given by:

$$I_{\text{TRIP}} = V_{\text{REF}} / 5 \times R_{\text{SENSE}} \quad (2)$$

The R_{SENSE} value should be chosen to keep the peak sense voltage within the range of 200 to 500 mV, according to the relationship:

$$R_{\text{SENSE}} < 500 \text{ mV} / I_{\text{TRIP}} \quad (3)$$

At the trip point, the sense comparator resets the source enable latch, turning off the source driver. At this point, load inductance causes the current to recirculate for 50 μs .

A soft start capacitor, C_{SS} , can be connected to the SS pin to set the rate for slowly ramping-up the load current to the maximum value, according to the relationship:

$$t_{\text{SS}} = (C_{\text{SS}} \times V_{\text{REF}}) / 3.3\text{E}-6 \quad (4)$$

In this case the current limit will likely not be achieved and there will be less demand on the input power supply. If this feature is not utilized, the SS pin should be left open.

Synchronous Rectification When a PWM off-cycle is triggered, load current recirculates. The A4930 synchronous rectification feature turns on the appropriate MOSFETs during current decay, and effectively shorts out the body diodes of the low $R_{\text{DS(on)}}$ driver.

TSD If the die temperature exceeds approximately 165°C, the outputs will be disabled until the internal temperature falls below a hysteresis level of 15°C.

Shutdown In the event of a fault due to excessive junction temperature, or low voltage on VCP or V_{BB} , the outputs of the device are disabled until the fault condition is removed. At power-up the UVLO circuit disables the drivers until the UVLO threshold is reached.

CPWM This capacitor sets the frequency of the internal PWM circuit. The value is typically from 15 to 30 kHz.

PWM The IC accepts a direct input PWM signal with a level in the range from 0 to 6 V. The duty cycle, DC, of the input to this pin is converted to an analog voltage that is output on the SIN terminal as follows:

$$V_{\text{SIN}} = 3.5 \text{ V} - 2 \times \text{DC} \quad (5)$$

If the PWM input is not used, then leave this pin open circuit. Direct external PWM control can be utilized by applying the signal to the SIN input (refer to the Applications Information section). This can be implemented to create different PWM input to PWM output transfer functions.

SIN An analog voltage input to this pin sets the duty cycle applied to the fan winding. For temperature-based systems, connect SIN to a thermistor output. For systems with direct input to the PWM pin, the pin should be decoupled with a 0.1 μF capacitor. If variable fan speed is not required, for 100% duty cycle, connect this pin to GND. The input impedance is 200 k Ω (referenced to a 3.5 or 1.5 V rail).

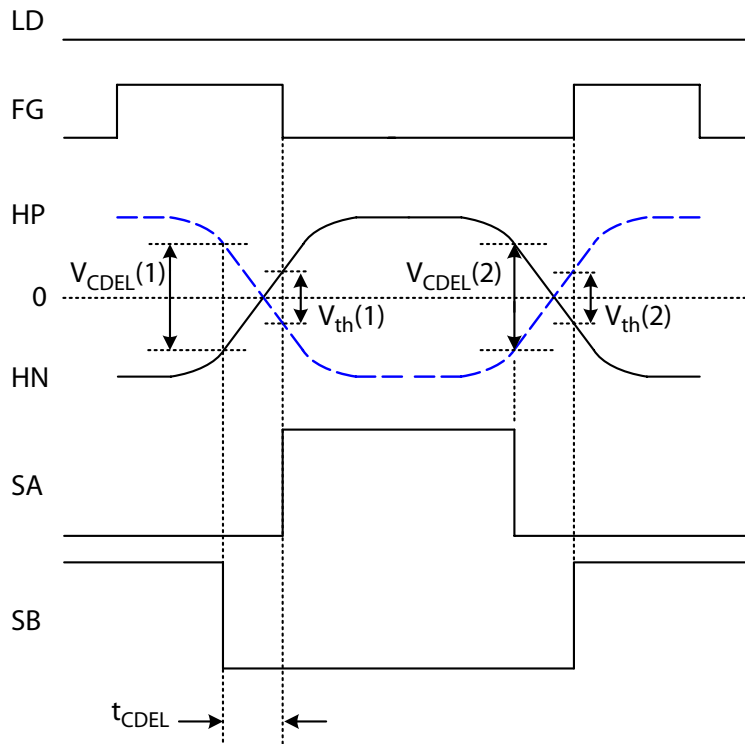
SMIN An analog voltage input to this pin sets the minimum speed duty cycle to the fan winding. The PWM comparator chooses either SIN or SMIN to determine the output duty cycle, which-

ever is set to a lower voltage. For 100% duty cycle applications, connect this pin to GND.

CDEL A resistor connected between this pin and GND sets the level at which the A4930 switches to slow decay mode in advance of the Hall zero crossing as shown here:

$$V_{\text{CDEL}} = (2950 / R_{\text{CDEL}}) - 7 \text{ mV} \quad (\text{mV}) \quad (6)$$

The resistor should be 25 to 100 k Ω . If this feature is not used, the CDEL pin should be pulled up to V_{REG5} with a 5 k Ω resistor.



$$V_{\text{th}(1)} = V_{\text{HP}} - V_{\text{HN}} = 10 \text{ mV (Typical)}$$

$$V_{\text{th}(2)} = V_{\text{HN}} - V_{\text{HP}} = 10 \text{ mV (Typical)}$$

$$V_{\text{HYS}} = V_{\text{th}(1)} + V_{\text{th}(2)} = 20 \text{ mV (Typical)}$$

Applications Information

Overvoltage In a typical fan application, there is a blocking diode that prevents currents from flowing back out of the fan assembly to the 12 V supply. When the fan commutates before the current has decayed to zero, the current charges up the VBB bypass capacitor.

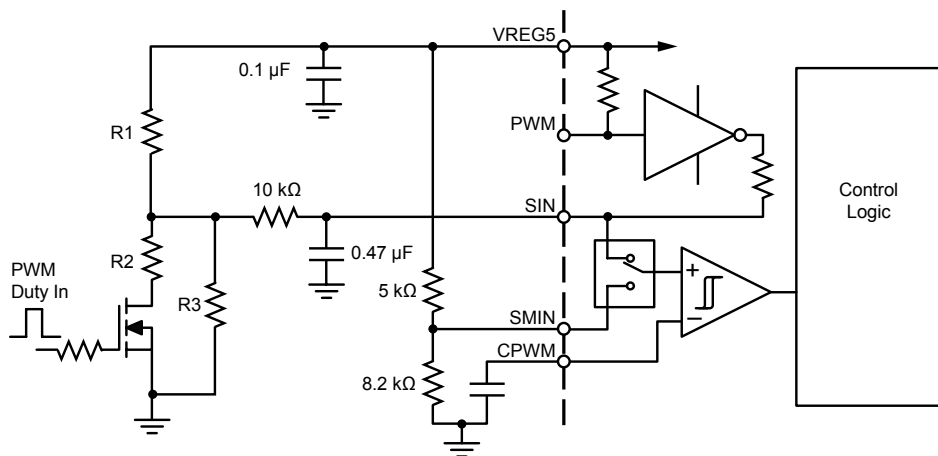
The larger the bypass capacitor, the less the voltage overshoot. Typically, a clamp diode is required to dissipate energy from the inductive kickback to avoid exceeding the maximum rating for V_{BB} , 36 V.

Layout Small form factor PCBs present a layout challenge for the application. The layout would be restricted by the placement of the Hall element, the location of the motor connectors, and the common requirement that all components be placed on one side of the PCB. For optimum results, consider the following recommendations:

- Place the external MOSFET bridge close to the power connector. The bridge includes two dual N-channel MOSFETs, a sense resistor, and a power supply capacitor. This will keep the large current flows in one area of the PCB and avoid ground loop problems.

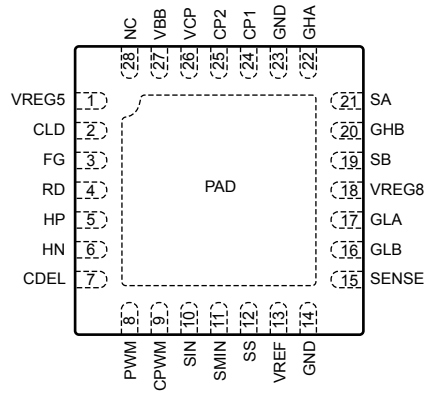
- Keep the sense connection to the power bridge as short as possible. This can be achieved by positioning the MOSFETs next to each other, and by connecting the source of the sink side MOSFETs via a short trace, preferably on the surface of the PCB, under the MOSFETs. A short trace here would minimize voltage spikes due to inductance in the path, where currents switch at high di/dt .
- Place the power traces from the MOSFETs to the motor connector on the opposite side of the PCB. If possible, on that side isolate the power traces by ground traces in order to minimize interference with other signal traces due to the high dv/dt of the power traces.
- Locate the A4930 to minimize the length of the GHx/GLx/Sx traces to the power stage.
- Connect the GND pins of the A4930 to the exposed pad. Use vias under the IC case to connect the exposed pad to the ground plane on the opposite face of the PCB.

External PWM Referring to the figure below, if external PWM control is being used, the high voltage level is set by R1, R2, and R3. The low voltage level is set by R1 and R3.



PWM control using External PWM input

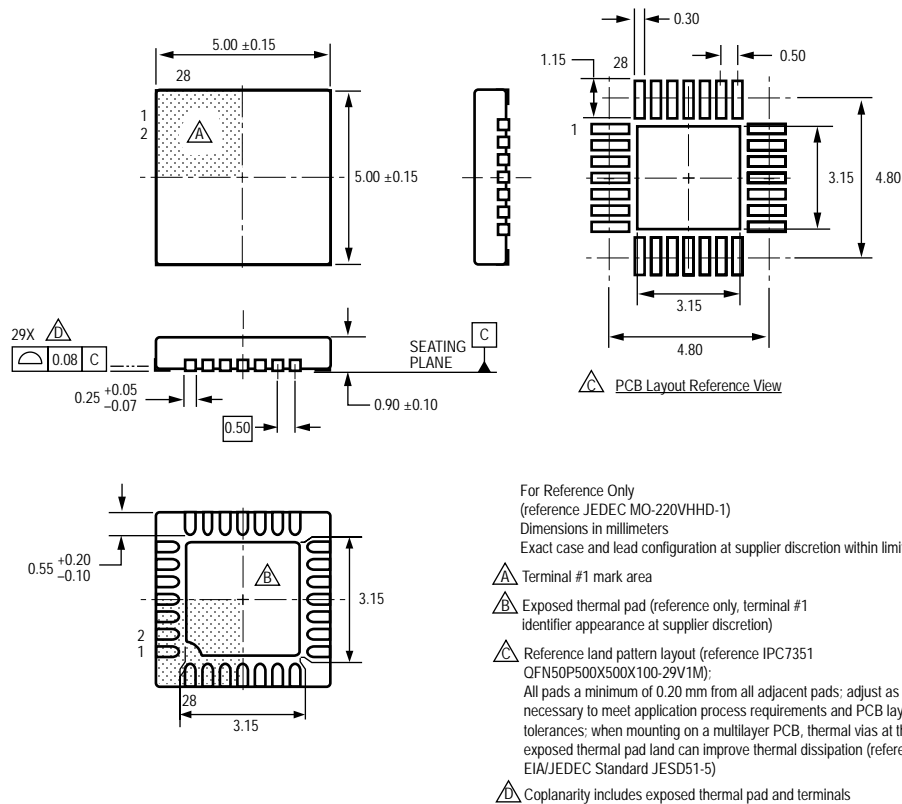
Pin-out Diagram



Terminal List

Number	Name	Description	Number	Name	Description
1	VREG5	Regulator decoupling terminal	16	GLB	Low-side drive for external N-channel MOSFET
2	CLD	Capacitor to set Lock Detect Time	17	GLA	Low-side drive for external N-channel MOSFET
3	FG	FG output, fan speed indicator (open drain)	18	VREG8	Gate drive supply
4	RD	RD output, high for locked rotor condition (open drain)	19	SB	High-side source connection
5	HP	Hall input positive	20	GHB	High-side drive for external N-channel MOSFET
6	HN	Hall input negative	21	SA	High-side source connection
7	CDEL	Commutation delay	22	GHA	High-side drive for external N-channel MOSFET
8	PWM	PWM input	23	GND	Ground
9	CPWM	Capacitor to set internal frequency	24	CP1	Charge pump capacitor terminal
10	SIN	Speed analog input/adjusted PWM output	25	CP2	Charge pump capacitor terminal
11	SMIN	Minimum speed analog input	26	VCP	Reservoir capacitor terminal
12	SS	Connection for soft start capacitor	27	VBB	Supply voltage
13	VREF	Current limit setpoint	28	NC	Not connected
14	GND	Ground	-	Pad	Thermal pad, connect to GND plane with vias to bottom of PCB
15	SENSE	Sense resistor connection			

Package ET 28-Pin QFN with Exposed Thermal Pad



Copyright ©2008, Allegro MicroSystems, Inc.

The products described here are manufactured under one or more U.S. patents or U.S. patents pending.

Allegro MicroSystems, Inc. reserves the right to make, from time to time, such departures from the detail specifications as may be required to permit improvements in the performance, reliability, or manufacturability of its products. Before placing an order, the user is cautioned to verify that the information being relied upon is current.

Allegro's products are not to be used in life support devices or systems, if a failure of an Allegro product can reasonably be expected to cause the failure of that life support device or system, or to affect the safety or effectiveness of that device or system.

The information included herein is believed to be accurate and reliable. However, Allegro MicroSystems, Inc. assumes no responsibility for its use; nor for any infringement of patents or other rights of third parties which may result from its use.

For the latest version of this document, visit our website:

www.allegromicro.com



Allegro MicroSystems, Inc.
115 Northeast Cutoff
Worcester, Massachusetts 01615-0036 U.S.A.
1.508.853.5000; www.allegromicro.com