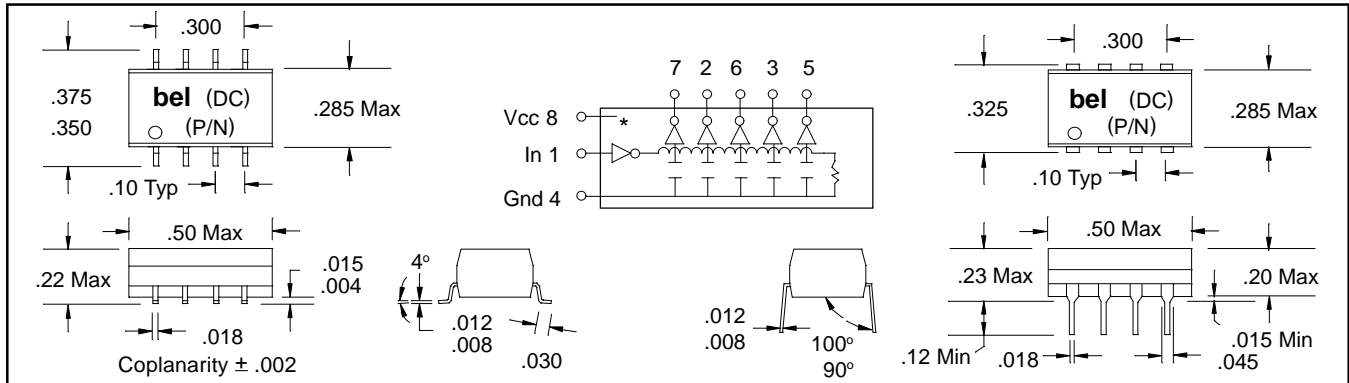


5 TAP LEADING EDGE CONTROL PRECISE DELAY MODULES

Cat 28-R2



Part Numbers

SMD	Thru-Hole	Total Delay	Delay per Tap	Rise Time
S493-0025-02	A493-0025-02	25 ns	5 ns	3 ns
S493-0030-02	A493-0030-02	30 ns	6 ns	3 ns
S493-0035-02	A493-0035-02	35 ns	7 ns	3 ns
S493-0040-02	A493-0040-02	40 ns	8 ns	3 ns
S493-0045-02	A493-0045-02	45 ns	9 ns	3 ns
S493-0050-02	A493-0050-02	50 ns	10 ns	3 ns
S493-0060-02	A493-0060-02	60 ns	12 ns	3 ns
S493-0070-02	A493-0070-02	70 ns	14 ns	3 ns
S493-0080-02	A493-0080-02	80 ns	16 ns	3 ns
S493-0090-02	A493-0090-02	90 ns	18 ns	3 ns
S493-0100-02	A493-0100-02	100 ns	20 ns	3 ns
S493-0125-02	A493-0125-02	125 ns	25 ns	3 ns
S493-0150-02	A493-0150-02	150 ns	30 ns	3 ns

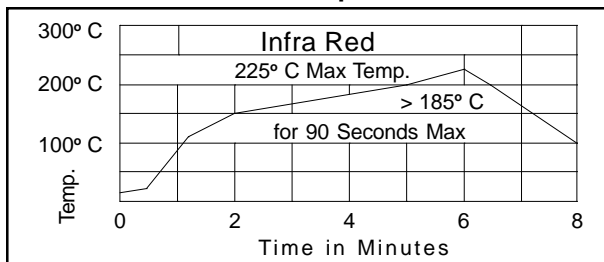
Tolerances

Input to Taps ± 1 ns or 3 % , Whichever is Greater
Delays measured @ 1.5 V levels on Leading Edge only
with no loads on Taps
Rise and Fall Times measured from 0.75 V to 2.4 V levels

Drive Capabilities

Nh	Logic 1 Fanout	-	20 TTL Loads Max.
Nl	Logic 0 Fanout	-	10 TTL Loads Max.

Recommended Temperature Profile



Test Conditions @ 25°C

Ein	Pulse Voltage	3.2 Volts
Trin	Rise Time	3.0 ns (10%-90%)
PW	Pulse Width	1.2 x Total Delay
PP	Pulse Period	4 x Pulse Width
Iccl	Supply Current	35 ma Typical
Vcc	Supply Voltage	5.0 Volts

Electrical Characteristics

	Min.	Max.	Units	
Vcc	Supply Voltage	4.75	5.25	V
Vih	Logic 1 Input Voltage	2.0		V
Vil	Logic 0 Input Voltage		0.8	V
Ioh	Logic 1 Output Current		-1	ma
Iol	Logic 0 Output Current		20	ma
Voh	Logic 1 Output Voltage	2.7		V
Vol	Logic 0 Output voltage		0.5	V
Vik	Input Clamp Voltage		-1.2	V
Iih	Logic 1 Input Current		20	ua
Iil	Logic 0 Input Current		-0.6	ma
Ios	Short Circuit Output Current	-60	-150	ma
Icch	Logic 1 Supply Current		25	ma
Iccl	Logic 0 Supply Current		40	ma
Ta	Operating Free Air Temperature	0°	70°	C
PW	Min. Input Pulse Width of Total Delay	40		%
d	Maximum Duty Cycle		50	%
Tc	Temp. Coeff. of Total Delay (TD)	100 + (25000/TD) PPM/°C		

Notes

Transfer molded for better reliability
Compatible with TTL & DTL circuits
Terminals: Electro-Tin plate phosphor bronze
Performance warranty is limited to specified parameters listed
SMD - Tape & Reel available:
24mm Wide x 12mm Pitch, 750 pieces per 13" reel

Other Delays and Tolerances Available Consult Sales

Specifications subject to change without notice.

Corporate Office

Bel Fuse Inc.
198 Van Vorst Street, Jersey City, NJ 07302-4496
Tel: 201-432-0463
Fax: 201-432-9542
E-Mail: BelFuse@belfuse.com
Internet: <http://www.belfuse.com>

Far East Office

Bel Fuse Ltd.
8F/8 Luk Hop Street
San Po Kong
Kowloon, Hong Kong
Tel: 852-2328-5515
Fax: 852-2352-3706

European Office

Bel Fuse Europe Ltd.
Preston Technology Management Centre
Marsh Lane, Preston PR1 8UD
Lancashire, U.K.
Tel: 44-1772-556601
Fax: 44-1772-888366