

**Microprocessor CORE Voltage Regulator  
Multi-Phase Buck PWM Controller**

The HIP6301 multi-phase PWM control IC together with its companion gate drivers, the HIP6601B, HIP6602B, HIP6603B or HIP6604B and external MOSFETs provides a precision voltage regulation system for advanced microprocessors. Multiphase power conversion is a marked departure from earlier single phase converter configurations previously employed to satisfy the ever increasing current demands of modern microprocessors. Multi-phase convertors, by distributing the power and load current results in smaller and lower cost transistors with fewer input and output capacitors. These reductions accrue from the higher effective conversion frequency with higher frequency ripple current due to the phase interleaving process of this topology. For example, a three phase convertor operating at 350kHz will have a ripple frequency of 1.05MHz. Moreover, greater convertor bandwidth of this design results in faster response to load transients.

Outstanding features of this controller IC include programmable VID codes from the microprocessor that range from 1.100V to 1.850V with a system accuracy of ±1%. Pull up currents on these VID pins eliminates the need for external pull up resistors. In addition “droop” compensation, used to reduce the overshoot or undershoot of the CORE voltage, is easily programmed with a single resistor.

Another feature of this controller IC is the PGOOD monitor circuit which is held low until the CORE voltage increases, during its Soft-Start sequence, to within 10% of the programmed voltage. Overvoltage, 15% above programmed CORE voltage, results in the converter shutting down and turning the lower MOSFETs ON to clamp and protect the microprocessor. Under voltage is also detected and results in PGOOD low if the CORE voltage falls 10% below the programmed level. Overcurrent protection reduces the regulator current to less than 25% of the programmed trip value. These features provide monitoring and protection for the microprocessor and power system.

**Features**

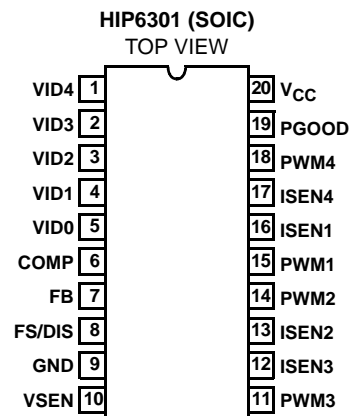
- Multi-Phase Power Conversion
- Precision Channel Current Sharing
  - Loss Less Current Sampling - Uses  $r_{DS(ON)}$
- Precision CORE Voltage Regulation
  - ±1% System Accuracy Over Temperature
- Microprocessor Voltage Identification Input
  - 5-Bit VID Input
  - 1.100V to 1.850V in 25mV Steps
  - Programmable “Droop” Voltage
- Fast Transient Recovery Time
- Over Current Protection
- Automatic Selection of 2, 3, or 4 Phase Operation
- High Ripple Frequency, (Channel Frequency) Times  
Number Channels . . . . . 100kHz to 6MHz
- Pb-Free Available (RoHS Compliant)

**Ordering Information**

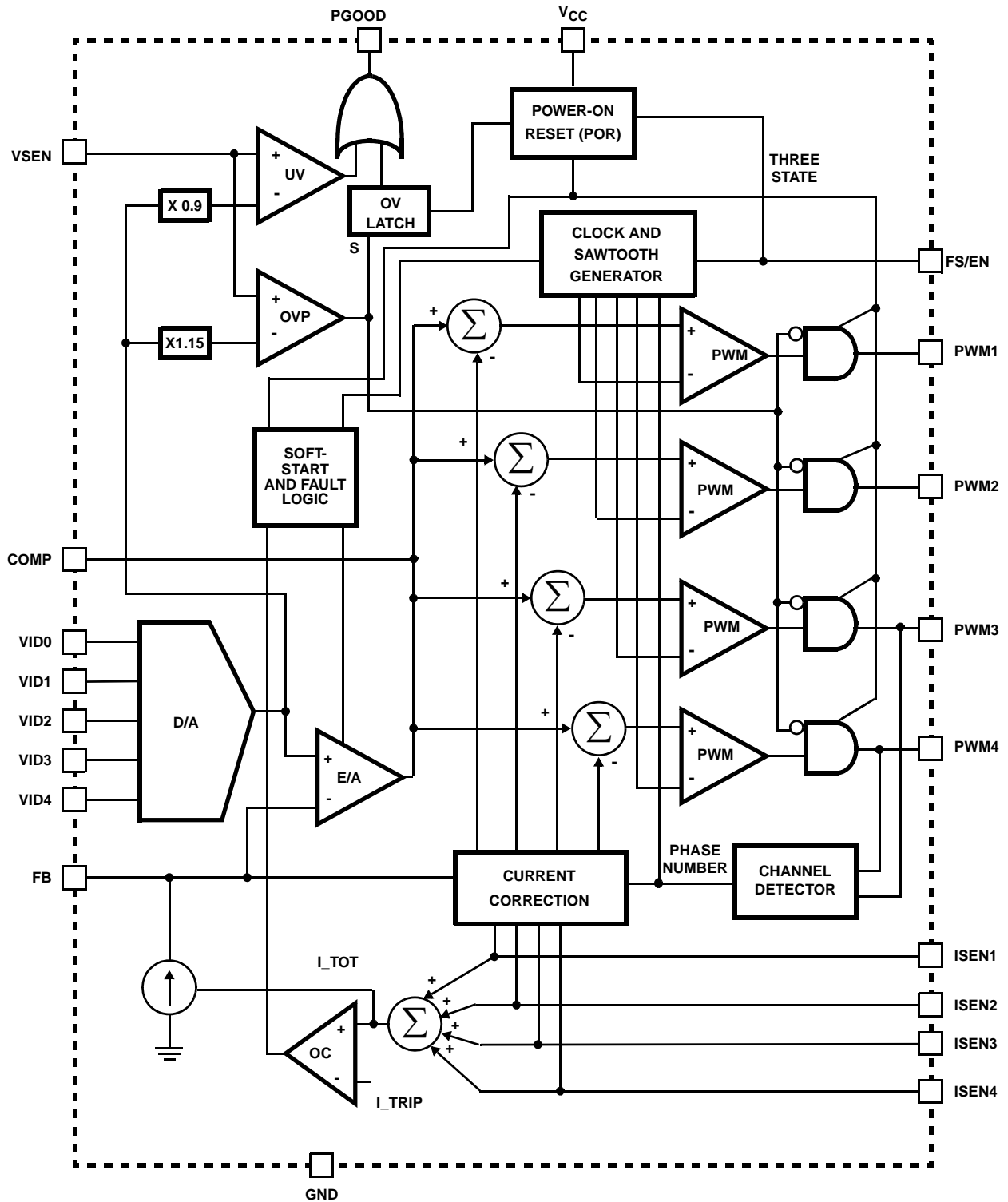
PART NUMBER	TEMP. (°C)	PACKAGE	PKG. DWG #
HIP6301CB	0 to 70	20 Ld SOIC	M20.3
HIP6301CBZ (Note)	0 to 70	20 Ld SOIC (Pb-free)	M20.3
HIP6301CB-T	20 Ld SOIC Tape and Reel		
HIP6301CBZ-T (Note)	20 Ld SOIC Tape and Reel (Pb-free)		
HIP6301CBZA-T (Note)	20 Ld SOIC Tape and Reel (Pb-free)		
HIP6301EVAL2	Evaluation Platform		

NOTE: Intersil Pb-free products employ special Pb-free material sets; molding compounds/die attach materials and 100% matte tin plate termination finish, which are RoHS compliant and compatible with both SnPb and Pb-free soldering operations. Intersil Pb-free products are MSL classified at Pb-free peak reflow temperatures that meet or exceed the Pb-free requirements of IPC/JEDEC J STD-020.

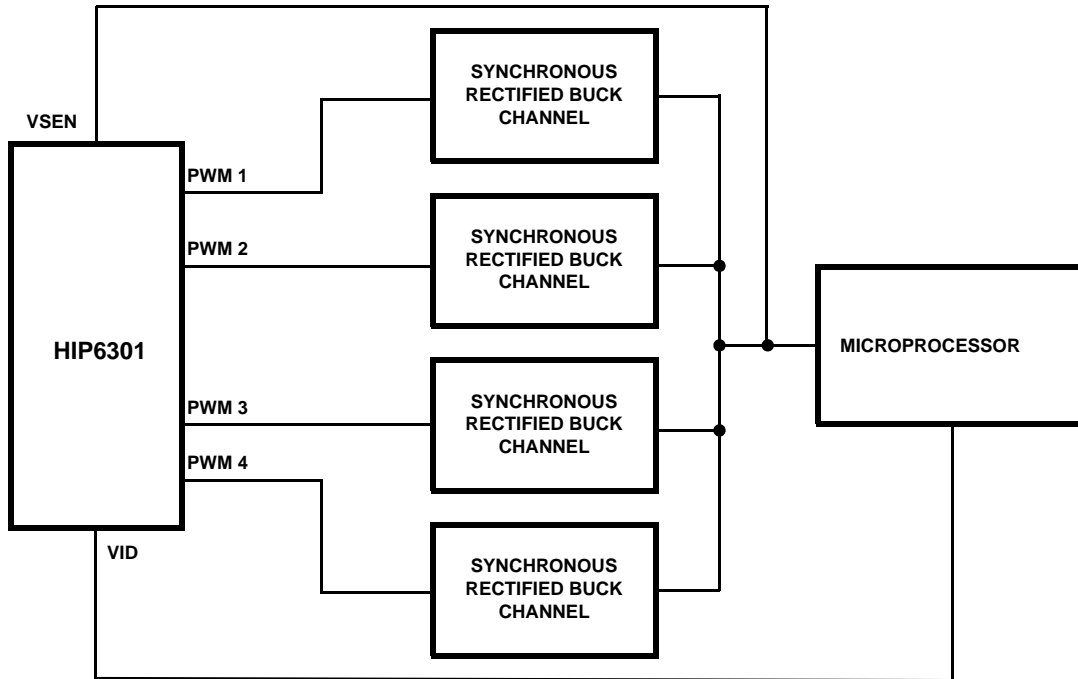
**Pinout**



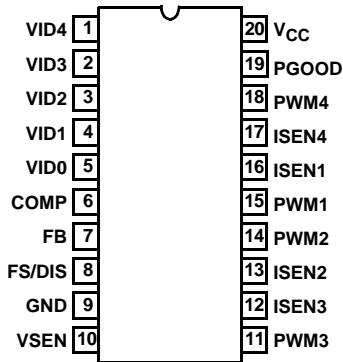
Block Diagram



**Simplified Power System Diagram**



**Functional Pin Description**



**VID4 (Pin 1), VID3 (Pin 2), VID2 (Pin 3), VID1 (Pin 4) and VID0 (Pin 5)**

Voltage Identification inputs from microprocessor. These pins respond to TTL and 3.3V logic signals. The HIP6301 decodes VID bits to establish the output voltage. See Table 1.

**COMP (Pin 6)**

Output of the internal error amplifier. Connect this pin to the external feedback and compensation network.

**FB (Pin 7)**

Inverting input of the internal error amplifier.

**FS/DIS (Pin 8)**

Channel frequency,  $F_{SW}$ , select and disable. A resistor from this pin to ground sets the switching frequency of the

converter. Pulling this pin to ground disables the converter and three states the PWM outputs. See Figure 10.

**GND (Pin 9)**

Bias and reference ground. All signals are referenced to this pin.

**VSEN (Pin 10)**

Power good monitor input. Connect to the microprocessor-CORE voltage.

**PWM1 (Pin 15), PWM2 (Pin 14), PWM3 (Pin 11) and PWM4 (Pin 18)**

PWM outputs for each driven channel in use. Connect these pins to the PWM input of a HIP6601B/2B/3B/4B driver. For systems which use 3 channels, connect PWM4 high. Two channel systems connect PWM3 and PWM4 high.

**ISEN1 (Pin 16), ISEN2 (Pin 13), ISEN3 (Pin 12) and ISEN4 (Pin 17)**

Current sense inputs from the individual converter channel's phase nodes. Unused sense lines MUST be left open.

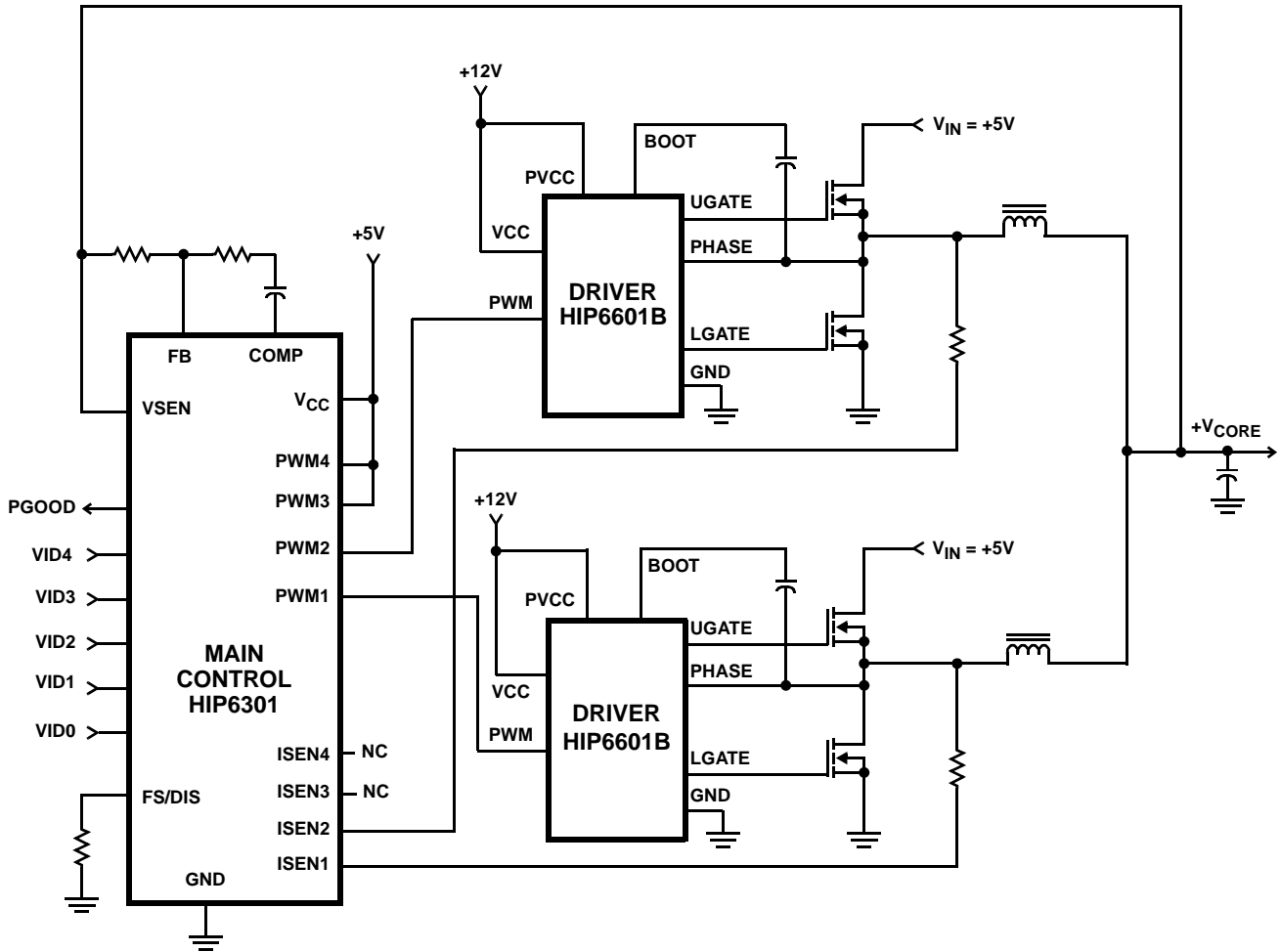
**PGOOD (Pin 19)**

Power good. This pin is an open-drain logic signal that indicates when the microprocessor CORE voltage (VSEN pin) is within specified limits and Soft-Start has timed out.

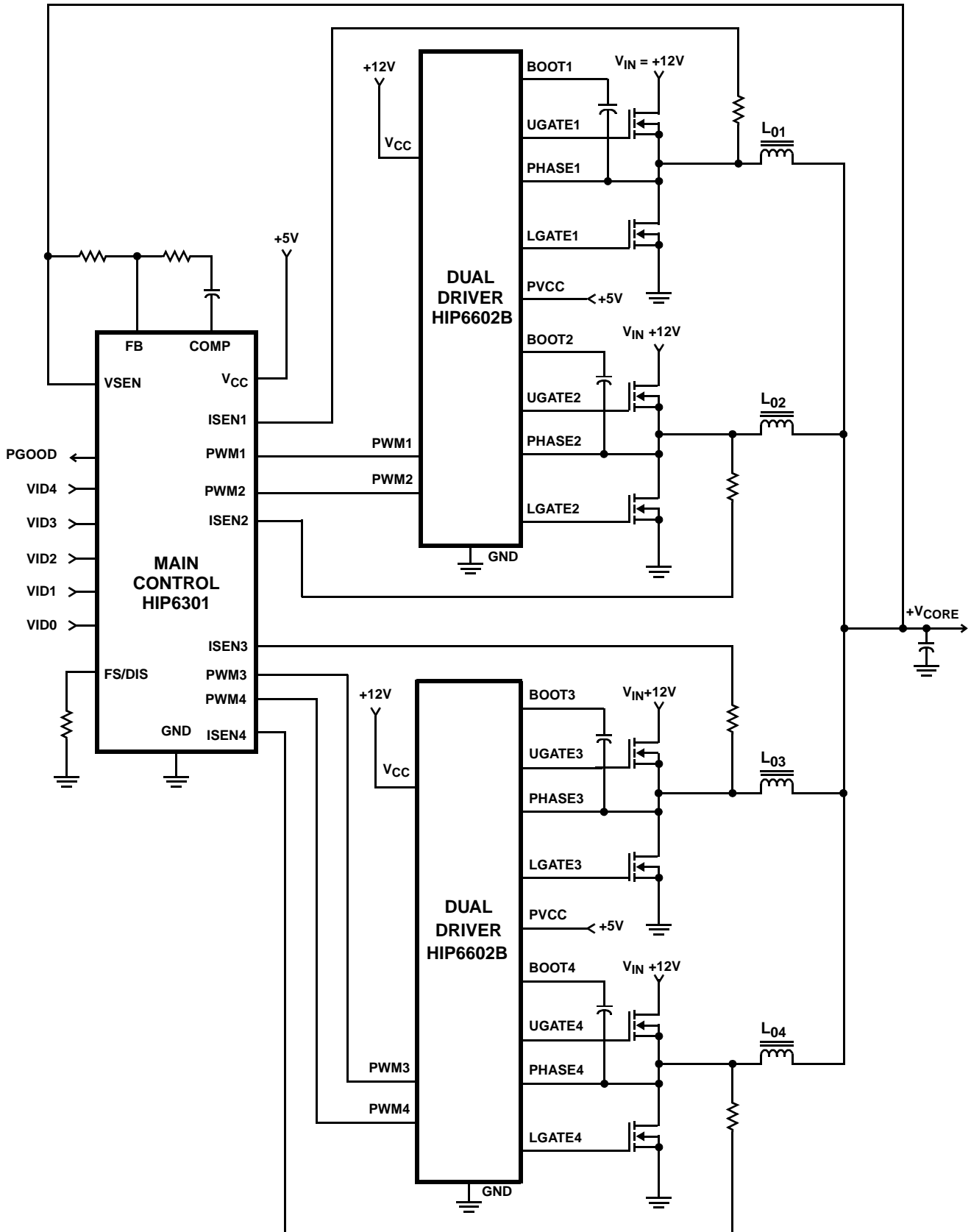
**V<sub>CC</sub> (Pin 20)**

Bias supply. Connect this pin to a 5V supply.

Typical Application - 2 Phase Converter Using HIP6601B Gate Drivers



Typical Application - 4 Phase Converter Using HIP6602B Gate Drivers



# HIP6301

## Absolute Maximum Ratings

Supply Voltage,  $V_{CC}$  ..... +7V  
 Input, Output, or I/O Voltage ..... GND -0.3V to  $V_{CC}$  + 0.3V  
 ESD Classification ..... 1.5kV

## Recommended Operating Conditions

Supply Voltage ..... +5V  $\pm$ 5%  
 Ambient Temperature ..... 0°C to 70°C

## Thermal Information

Thermal Resistance (Typical, Note 1)  $\theta_{JA}$  (°C/W)  
 SOIC Package ..... 65  
 Maximum Junction Temperature ..... 150°C  
 Maximum Storage Temperature Range ..... -65°C to 150°C  
 Maximum Lead Temperature (Soldering 10s) ..... 300°C  
 (SOIC - Lead Tips Only)

**CAUTION:** Stress above those listed in "Absolute Maximum Ratings" may cause permanent damage to the device. This is a stress only rating and operation of the device at these or any other conditions above those indicated in the operational section of this specification is not implied.

### NOTE:

- $\theta_{JA}$  is measured with the component mounted on a high effective thermal conductivity test board in free air. See Tech Brief TB379 for details.

## Electrical Specifications

Operating Conditions:  $V_{CC}$  = 5V,  $T_A$  = 0°C to 70°C, Unless Otherwise Specified

PARAMETER	TEST CONDITIONS	MIN	TYP	MAX	UNITS
<b>INPUT SUPPLY POWER</b>					
Input Supply Current	$R_T = 100k\Omega$	-	10	15	mA
	EN = 0V	4.25	8.8	4.5	mA
POR (Power-On Reset) Threshold	$V_{CC}$ Rising	4.25	4.38	4.5	V
	$V_{CC}$ Falling	3.75	3.88	4.00	V
<b>REFERENCE AND DAC</b>					
System Accuracy	Percent system deviation from programmed VID Codes	-1	-	1	%
DAC (VID0 - VID3) Input Low Voltage	DAC Programming Input Low Threshold Voltage	-	-	0.8	V
DAC (VID0 - VID3) Input High Voltage	DAC Programming Input High Threshold Voltage	2.0	-	-	V
VID Pull-Up	VIDx = 0V or VIDx = 3V	10	20	40	$\mu$ A
<b>CHANNEL GENERATOR, SAWTOOTH GENERATOR and Maximum PWM Duty Cycle</b>					
Frequency, $F_{SW}$	$R_T = 100k\Omega, \pm 1\%$	224	280	336	kHz
Adjustment Range	See Figure 10	0.05	-	1.5	MHz
Disable Voltage	Maximum voltage at FS/DIS to disable controller. $I_{FS/DIS} = 1mA$ .	-	1.2	1.0	V
Sawtooth Amplitude	Amplitude of Sawtooth Generator at Channel Comparator Input	-	1.33	-	V <sub>p-p</sub>
PWM Maximum Duty Cycle		-	75	-	%
<b>ERROR AMPLIFIER</b>					
DC Gain	$R_L = 10K$ to ground	-	72	-	dB
Gain-Bandwidth Product	$C_L = 100pF, R_L = 10K$ to ground	-	18	-	MHz
Slew Rate	$C_L = 100pF, R_L = 10K$ to ground	-	5.3	-	V/ $\mu$ s
Maximum Output Voltage	$R_L = 10K$ to ground	3.6	4.1	-	V
Minimum Output Voltage	$R_L = 10K$ to ground	-	0.16	0.5	V
<b>I<sub>SEN</sub></b>					
Full Scale Input Current		-	50	-	$\mu$ A
Overcurrent Trip Level		-67.5	-	-87.5	$\mu$ A
<b>POWER GOOD MONITOR</b>					
Undervoltage Threshold	VSEN Rising	-	0.92	-	V <sub>DAC</sub>
Undervoltage Threshold	VSEN Falling	-	0.90	-	V <sub>DAC</sub>
PGOOD Low Output Voltage	$I_{PGOOD} = 4mA$	-	0.18	0.4	V

**Electrical Specifications** Operating Conditions:  $V_{CC} = 5V$ ,  $T_A = 0^{\circ}C$  to  $70^{\circ}C$ , Unless Otherwise Specified (Continued)

PARAMETER	TEST CONDITIONS	MIN	TYP	MAX	UNITS
<b>PROTECTION</b>					
Overvoltage Threshold	VSEN Rising	1.12	1.15	1.2	$V_{DAC}$
Percent Overvoltage Hysteresis	VSEN Falling after Overvoltage	-	2	-	%

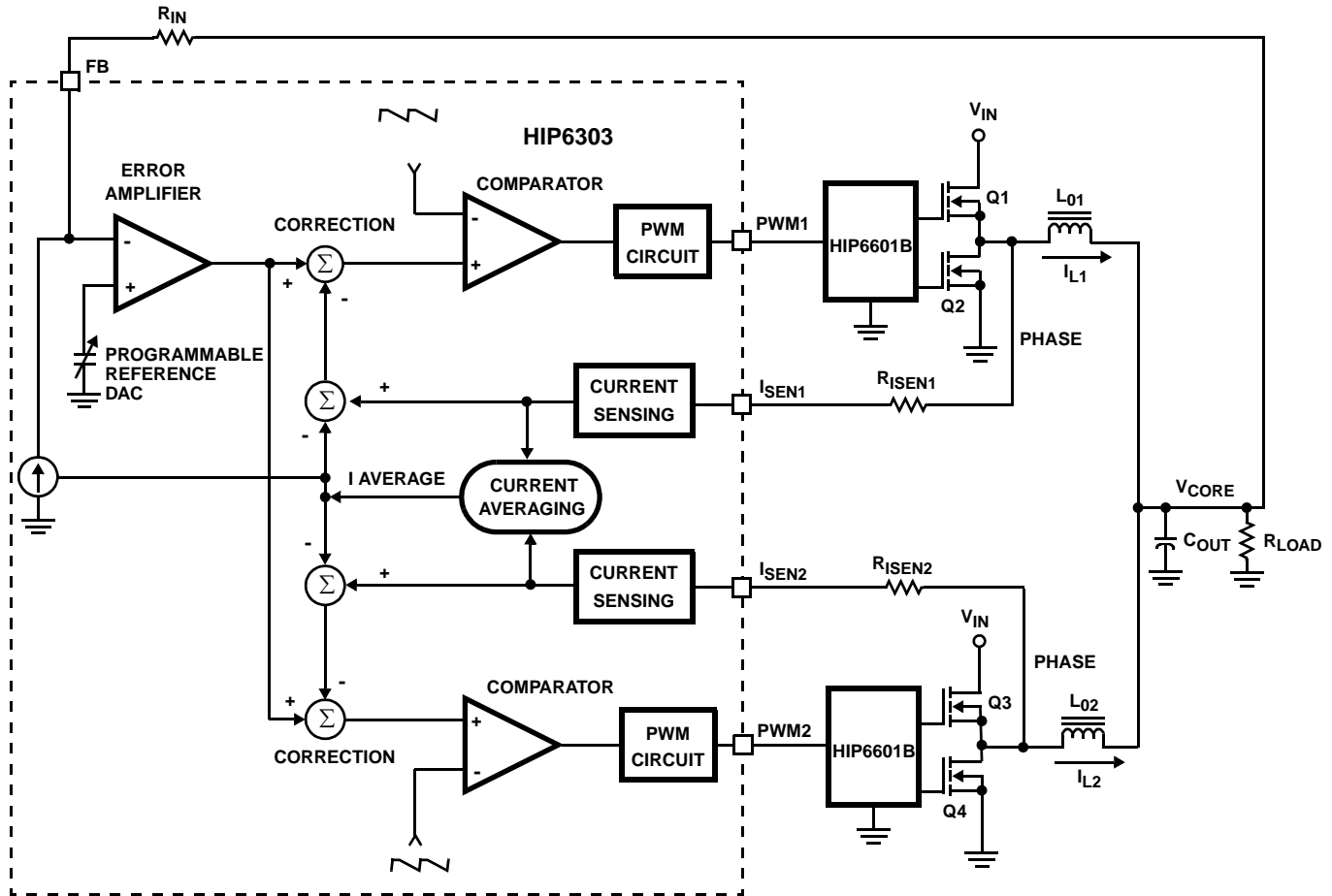


FIGURE 1. SIMPLIFIED BLOCK DIAGRAM OF THE HIP6301 VOLTAGE AND CURRENT CONTROL LOOPS FOR A TWO POWER CHANNEL REGULATOR

**Operation**

Figure 1 shows a simplified diagram of the voltage regulation and current control loops. Both voltage and current feedback are used to precisely regulate voltage and tightly control output currents,  $I_{L1}$  and  $I_{L2}$ , of the two power channels. The voltage loop comprises the Error Amplifier, Comparators, gate drivers and output MOSFETs. The Error Amplifier is essentially connected as a voltage follower that has as an input, the Programmable Reference DAC and an output that is the CORE voltage.

**Voltage Loop**

Feedback from the CORE voltage is applied via resistor  $R_{IN}$  to the inverting input of the Error Amplifier. This signal can

drive the Error Amplifier output either high or low, depending upon the CORE voltage. Low CORE voltage makes the amplifier output move towards a higher output voltage level. Amplifier output voltage is applied to the positive inputs of the Comparators via the Correction summing networks. Out-of-phase sawtooth signals are applied to the two Comparators inverting inputs. Increasing Error Amplifier voltage results in increased Comparator output duty cycle. This increased duty cycle signal is passed through the PWM CIRCUIT with no phase reversal and on to the HIP6601B, again with no phase reversal for gate drive to the upper MOSFETs, Q1 and Q3. Increased duty cycle or ON time for the MOSFET transistors results in increased output voltage to compensate for the low output voltage sensed.

### Current Loop

The current control loop works in a similar fashion to the voltage control loop, but with current control information applied individually to each channel's Comparator. The information used for this control is the voltage that is developed across  $r_{DS(ON)}$  of each lower MOSFET, Q2 and Q4, when they are conducting. A single resistor converts and scales the voltage across the MOSFETs to a current that is applied to the Current Sensing circuit within the HIP6301. Output from these sensing circuits is applied to the current averaging circuit. Each PWM channel receives the difference current signal from the summing circuit that compares the average sensed current to the individual channel current. When a power channel's current is greater than the average current, the signal applied via the summing Correction circuit to the Comparator, reduces the output pulse width of the Comparator to compensate for the detected "above average" current in that channel.

### Droop Compensation

In addition to control of each power channel's output current, the average channel current is also used to provide CORE voltage "droop" compensation. Average full channel current is defined as 50 $\mu$ A. By selecting an input resistor,  $R_{IN}$ , the amount of voltage droop required at full load current can be programmed. The average current driven into the FB pin results in a voltage increase across resistor  $R_{IN}$  that is in the direction to make the Error Amplifier "see" a higher voltage at the inverting input, resulting in the Error Amplifier adjusting the output voltage lower. The voltage developed across  $R_{IN}$  is equal to the "droop" voltage. See the "Current Sensing and Balancing" section for more details.

### Applications and Converter Start-Up

Each PWM power channel's current is regulated. This enables the PWM channels to accurately share the load current for enhanced reliability. The HIP6601B, HIP6602B, HIP6603B or HIP6604B MOSFET driver interfaces with the HIP6301. For more information, see the HIP6601B or HIP6602B data sheets.

The HIP6301 is capable of controlling up to 4 PWM power channels. Connecting unused PWM outputs to  $V_{CC}$  automatically sets the number of channels. The phase relationship between the channels is  $360^\circ/\text{number of active PWM channels}$ . For example, for three channel operation, the PWM outputs are separated by  $120^\circ$ . Figure 2 shows the PWM output signals for a four channel system. In all cases the maximum duty cycle is 75%.

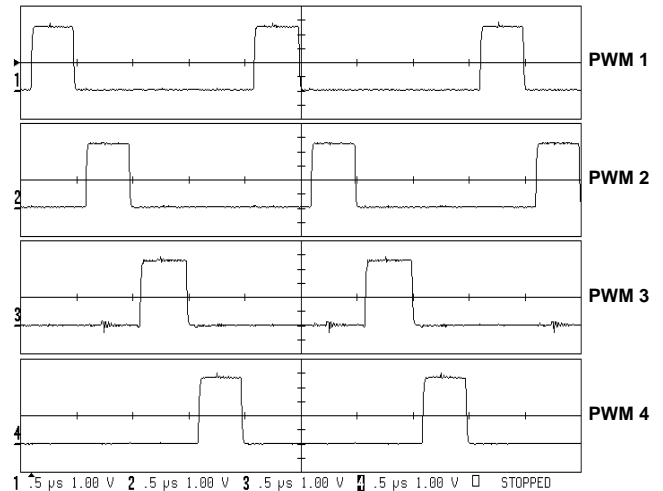


FIGURE 2. FOUR PHASE PWM OUTPUT AT 500kHz

Power supply ripple frequency is determined by the channel frequency,  $F_{SW}$ , multiplied by the number of active channels. For example, if the channel frequency is set to 250kHz and there are three phases, the ripple frequency is 750kHz.

The IC monitors and precisely regulates the CORE voltage of a microprocessor. After initial start-up, the controller also provides protection for the load and the power supply. The following section discusses these features.

### Initialization

The HIP6301 usually operates from an ATX power supply. Many functions are initiated by the rising supply voltage to the  $V_{CC}$  pin of the HIP6301. Oscillator, Sawtooth Generator, Soft-Start and other functions are initialized during this interval. These circuits are controlled by POR, Power-On Reset. During this interval, the PWM outputs are driven to a three state condition that makes these outputs essentially open. This state results in no gate drive to the output MOSFETs.

Once the  $V_{CC}$  voltage reaches 4.375V ( $\pm 125$ mV), a voltage level to insure proper internal function, the PWM outputs are enabled and the Soft-Start sequence is initiated. If for any reason, the  $V_{CC}$  voltage drops below 3.875V ( $\pm 125$ mV), the POR circuit shuts the converter down and again three states the PWM outputs.

### Soft-Start

After the POR function is completed with  $V_{CC}$  reaching 4.375V, the Soft-Start sequence is initiated. Soft-Start, by its slow rise in CORE voltage from zero, avoids an overcurrent condition by slowly charging the discharged output capacitors. This voltage rise is initiated by an internal DAC that slowly raises the reference voltage to the error amplifier input. The voltage rise is controlled by the oscillator frequency and the DAC within the HIP6301, therefore, the output voltage is effectively regulated as it rises to the final programmed CORE voltage value.



For the first 32 PWM switching cycles, the DAC output remains inhibited and the PWM outputs remain three states. From the 33rd cycle and for another, approximately 150 cycles the PWM output remains low, clamping the lower output MOSFETs to ground, see Figure 3. The time variability is due to the Error Amplifier, Sawtooth Generator and Comparators moving into their active regions. After this short interval, the PWM outputs are enabled and increment the PWM pulse width from zero duty cycle to operational pulse width, thus allowing the output voltage to slowly reach the CORE voltage. The CORE voltage will reach its programmed value before the 2048 cycles, but the PGOOD output will not be initiated until the 2048th PWM switching cycle.

The Soft-Start time or delay time,  $DT = 2048/F_{SW}$ . For an oscillator frequency,  $F_{SW}$ , of 200kHz, the first 32 cycles or  $160\mu s$ , the PWM outputs are held in a three state level as explained above. After this period and a short interval described above, the PWM outputs are initiated and the voltage rises in 10.08ms, for a total delay time DT of 10.24ms.

Figure 3 shows the start-up sequence as initiated by a fast rising 5V supply,  $V_{CC}$ , applied to the HIP6301. Note the short rise to the three state level in PWM 1 output during first 32 PWM cycles.

Figure 4 shows the waveforms when the regulator is operating at 200kHz. Note that the Soft-Start duration is a function of the Channel Frequency as explained previously. Also note the pulses on the COMP terminal. These pulses are the current correction signal feeding into the comparator input (see the **Block Diagram** on page 2).

Figure 5 shows the regulator operating from an ATX supply. In this figure, note the slight rise in PGOOD as the 5V supply rises. The PGOOD output stage is an open drain NMOS transistor. On rising  $V_{CC}$ , the pull-up resistor begins to move PGOOD output slightly positive before the NMOS transistor pulls "down", generating the slight rise in PGOOD output voltage.

Note that Figure 5 shows the 12V gate driver voltage available before the 5V supply to the HIP6301 has reached its threshold level. If conditions were reversed and the 5V supply was to rise first, the start-up sequence would be different. In this case the HIP6303 will sense an overcurrent condition due to charging the output capacitors. The supply will then restart and go through the normal Soft-Start cycle.

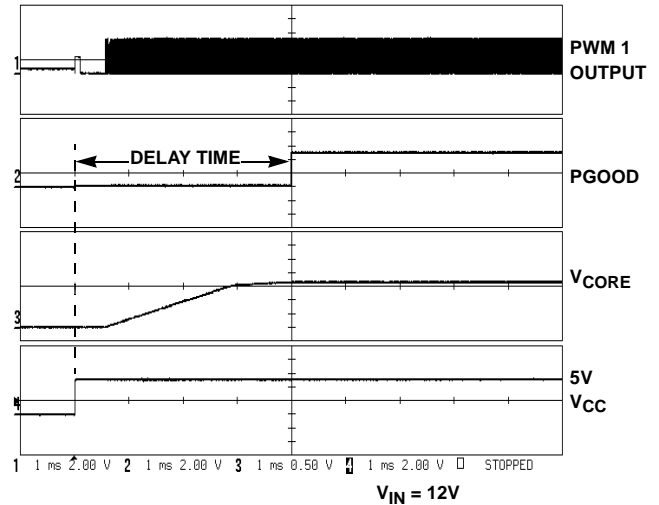


FIGURE 3. START-UP OF 4 PHASE SYSTEM OPERATING AT 500kHz

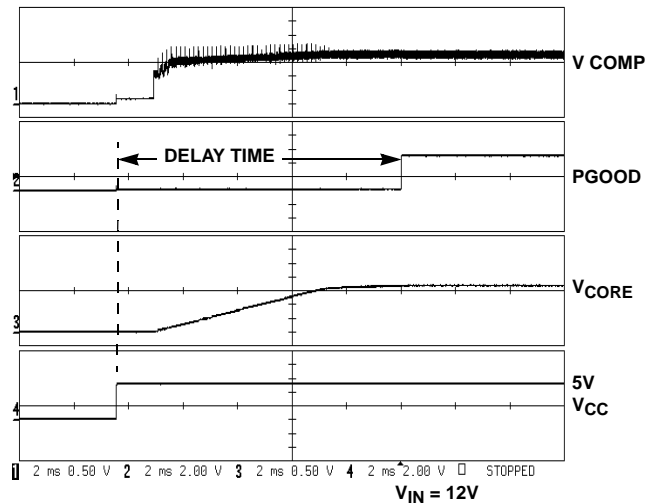


FIGURE 4. START-UP OF 4 PHASE SYSTEM OPERATING AT 200kHz

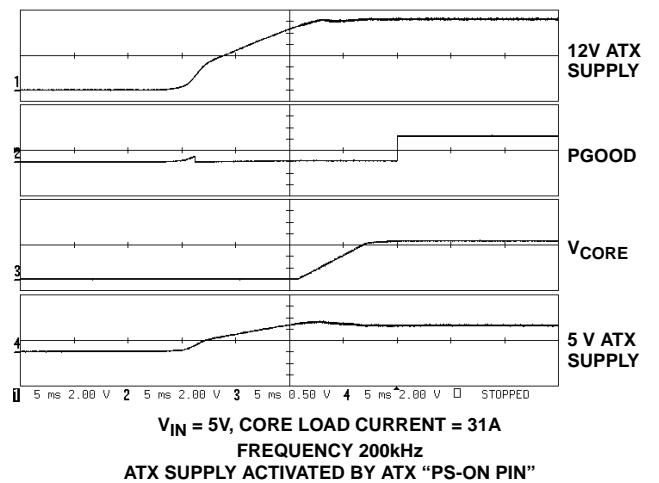


FIGURE 5. SUPPLY POWERED BY ATX SUPPLY

**Fault Protection**

The HIP6301 protects the microprocessor and the entire power system from damaging stress levels. Within the HIP6301 both Overvoltage and Overcurrent circuits are incorporated to protect the load and regulator.

**Overvoltage**

The VSEN pin is connected to the microprocessor CORE voltage. A CORE overvoltage condition is detected when the VSEN pin goes more than 15% above the programmed VID level.

The overvoltage condition is latched, disabling normal PWM operation, and causing PGOOD to go low. The latch can only be reset by lowering and returning  $V_{CC}$  high to initiate a POR and Soft-Start sequence.

During a latched overvoltage, the PWM outputs will be driven either low or three state, depending upon the VSEN input. PWM outputs are driven low when the VSEN pin detects that the CORE voltage is 15% above the programmed VID level. This condition drives the PWM outputs low, resulting in the lower or synchronous rectifier MOSFETs to conduct and shunt the CORE voltage to ground to protect the load.

If after this event, the CORE voltage falls below the overvoltage limit (plus some hysteresis), the PWM outputs will three state. The HIP6601B family drivers pass the three state information along, and shuts off both upper and lower MOSFETs. This prevents “dumping” of the output capacitors back through the lower MOSFETs, avoiding a possibly destructive ringing of the capacitors and output inductors. If the conditions that caused the overvoltage still persist, the PWM outputs will be cycled between three state and  $V_{CORE}$  clamped to ground, as a hysteretic shunt regulator.

**Undervoltage**

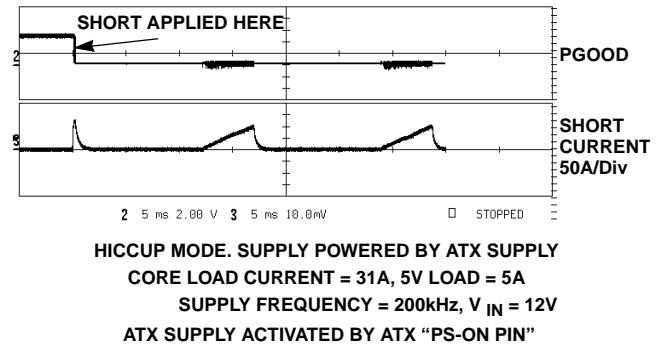
The VSEN pin also detects when the CORE voltage falls more than 10% below the VID programmed level. This causes PGOOD to go low, but has no other effect on operation and is not latched. There is also hysteresis in this detection point.

**Overcurrent**

In the event of an overcurrent condition, the overcurrent protection circuit reduces the average current delivered to less than 25% of the current limit. When an overcurrent condition is detected, the controller forces all PWM outputs into a three state mode. This condition results in the gate driver removing drive to the output stages. The HIP6301 goes into a wait delay timing cycle that is equal to the Soft-Start ramp time. PGOOD also goes “low” during this time due to VSEN going below its threshold voltage. To lower the average output dissipation, the Soft-Start initial wait time is increased from 32 to 2048 cycles, then the Soft-Start ramp is initiated. At a PWM frequency of 200kHz, for instance, an overcurrent detection would cause a dead time of 10.24ms, then a ramp of 10.08ms.

At the end of the delay, PWM outputs are restarted and the soft-start ramp is initiated. If a short is present at that time, the cycle is repeated. This is the hiccup mode.

Figure 6 shows the supply shorted under operation and the hiccup operating mode described above. Note that due to the high short circuit current, overcurrent is detected before completion of the start-up sequence so the delay is not quite as long as the normal Soft-Start cycle.



**FIGURE 6. SHORT APPLIED TO SUPPLY AFTER POWER-UP**

**CORE Voltage Programming**

The voltage identification pins (VID0, VID1, VID3, and VID4) set the CORE output voltage. Each VID pin is pulled to  $V_{CC}$  by an internal 20 $\mu$ A current source and accepts open-collector/open-drain/open-switch-to-ground or standard low-voltage TTL or CMOS signals.

Table 1 shows the nominal DAC voltage as a function of the VID codes. The power supply system is  $\pm 1\%$  accurate over the operating temperature and voltage range.

**TABLE 1. VOLTAGE IDENTIFICATION CODES**

VID4	VID3	VID2	VID1	VID0	VDAC
1	1	1	1	1	Off
1	1	1	1	0	1.100
1	1	1	0	1	1.125
1	1	1	0	0	1.150
1	1	0	1	1	1.175
1	1	0	1	0	1.200
1	1	0	0	1	1.225
1	1	0	0	0	1.250
1	0	1	1	1	1.275
1	0	1	1	0	1.300
1	0	1	0	1	1.325
1	0	1	0	0	1.350
1	0	0	1	1	1.375
1	0	0	1	0	1.400
1	0	0	0	1	1.425
1	0	0	0	0	1.450

**TABLE 1. VOLTAGE IDENTIFICATION CODES (Continued)**

VID4	VID3	VID2	VID1	VID0	VDAC
0	1	1	1	1	1.475
0	1	1	1	0	1.500
0	1	1	0	1	1.525
0	1	1	0	0	1.550
0	1	0	1	1	1.575
0	1	0	1	0	1.600
0	1	0	0	1	1.625
0	1	0	0	0	1.650
0	0	1	1	1	1.675
0	0	1	1	0	1.700
0	0	1	0	1	1.725
0	0	1	0	0	1.750
0	0	0	1	1	1.775
0	0	0	1	0	1.800
0	0	0	0	1	1.825
0	0	0	0	0	1.850

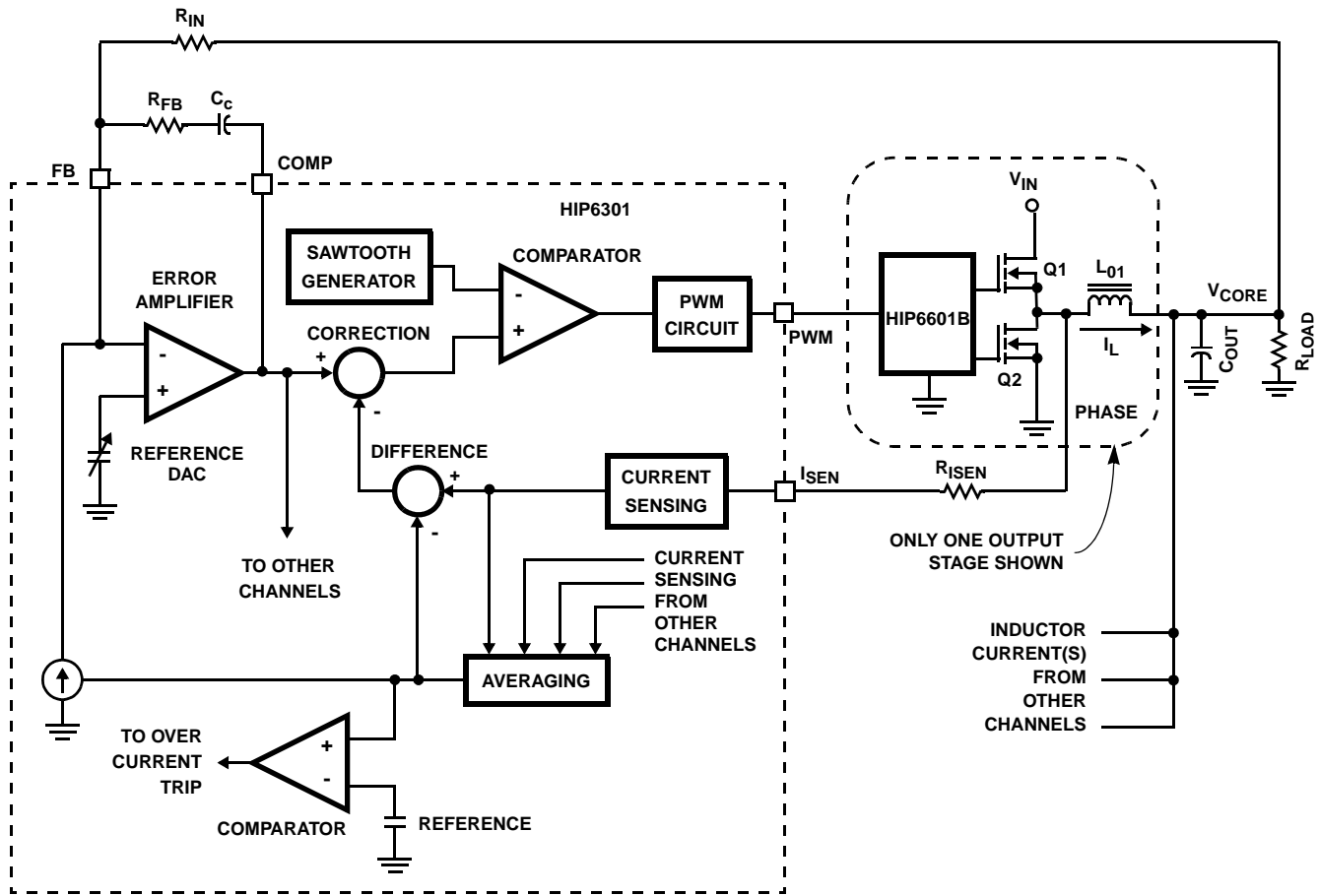


FIGURE 7. SIMPLIFIED FUNCTIONAL BLOCK DIAGRAM SHOWING CURRENT AND VOLTAGE SAMPLING

### Current Sensing and Balancing

#### Overview

The HIP6301 samples the on-state voltage drop across each synchronous rectifier FET, Q2, as an indication of the inductor current in that phase, see Figure 7. Neglecting AC effects (to be discussed later), the voltage drop across Q2 is simply  $r_{DS(ON)}(Q2) \times$  inductor current ( $I_L$ ). Note that  $I_L$ , the inductor current, is either 1/2, 1/3, or 1/4 of the total current ( $I_{LT}$ ), depending on how many phases are in use.

The voltage at Q2's drain, the PHASE node, is applied to the  $R_{ISEN}$  resistor to develop the  $I_{ISEN}$  current to the HIP6301 ISEN pin. This pin is held at virtual ground, so the current through  $R_{ISEN}$  is  $I_L = \frac{r_{DS(ON)}(Q2)}{R_{ISEN}}$

The  $I_{ISEN}$  current provides information to perform the following functions:

1. Detection of an overcurrent condition
2. Reduce the regulator output voltage with increasing load current (droop)
3. Balance the  $I_L$  currents in multiple channels

#### Overcurrent, Selecting $R_{ISEN}$

The current detected through the  $R_{ISEN}$  resistor is averaged with the current(s) detected in the other 1, 2, or 3 channels. The averaged current is compared with a trimmed, internally generated current, and used to detect an overcurrent condition.

The nominal current through the  $R_{ISEN}$  resistor should be 50µA at full output load current, and the nominal trip point for overcurrent detection is 165% of that value, or 82.5µA

$$\text{Therefore, } R_{ISEN} = \frac{(I_L)r_{DS(ON)}(Q2)}{50\mu A}$$

For a full load of 25A per phase, and an  $r_{DS(ON)}(Q2)$  of 4mΩ,  $R_{ISEN} = 2k\Omega$ .

The overcurrent trip point would be 165% of 25A, or ~ 41A per phase. The  $R_{ISEN}$  value can be adjusted to change the overcurrent trip point, but it is suggested to stay within ±25% of nominal.

#### Droop, Selection of $R_{IN}$

The average of the currents detected through the  $R_{ISEN}$  resistors is also steered to the FB pin. There is no DC return path connected to the FB pin except for  $R_{IN}$ , so the average

current creates a voltage drop across  $R_{IN}$ . This drop increases the apparent  $V_{CORE}$  voltage with increasing load current, causing the system to decrease  $V_{CORE}$  to maintain balance at the FB pin. This is the desired “droop” voltage used to maintain  $V_{CORE}$  within limits under transient conditions.

With a high dv/dt load transient, typical of high performance microprocessors, the largest deviations in output voltage occur at the leading and trailing edges of the load transient. In order to fully utilize the output-voltage tolerance range, the output voltage is positioned in the upper half of the range when the output is unloaded and in the lower half of the range when the controller is under full load. This droop compensation allows larger transient voltage deviations and thus reduces the size and cost of the output filter components.

$R_{IN}$  should be selected to give the desired “droop” voltage at the normal full load current  $50\mu A$  applied through the  $R_{ISEN}$  resistor (or at a different full load current if adjusted as under “Overcurrent, Selecting  $R_{ISEN}$ ” above).

$$R_{IN} = V_{droop} / 50\mu A$$

For a  $V_{droop}$  of 80mV,  $R_{IN} = 1.6k\Omega$

The AC feedback components,  $R_{FB}$  and  $C_c$ , are scaled in relation to  $R_{IN}$ .

**Current Balancing**

The detected currents are also used to balance the phase currents.

Each phase’s current is compared to the average of all phase currents, and the difference is used to create an offset in that phase’s PWM comparator. The offset is in a direction to reduce the imbalance.

The balancing circuit can not make up for a difference in  $r_{DS(ON)}$  between synchronous rectifiers. If a FET has a higher  $r_{DS(ON)}$ , the current through that phase will be reduced.

Figures 8 and 9 show the inductor current of a two phase system without and with current balancing.

**Inductor Current**

The inductor current in each phase of a multi-phase Buck converter has two components. There is a current equal to the load current divided by the number of phases ( $I_{LT} / n$ ), and a sawtooth current, ( $i_{PK-PK}$ ) resulting from switching. The sawtooth component is dependent on the size of the inductors, the switching frequency of each phase, and the values of the input and output voltage. Ignoring secondary effects, such as series resistance, the peak to peak value of the sawtooth current can be described by:

$$i_{PK-PK} = \frac{V_{IN}(V_{CORE}) - V_{CORE}^2}{(L)(F_{SW})(V_{IN})}$$

Where:  $V_{CORE}$  = DC value of the output or  $V_{ID}$  voltage  
 $V_{IN}$  = DC value of the input or supply voltage  
 $L$  = value of the inductor  
 $F_{SW}$  = switching frequency

Example: For  $V_{CORE} = 1.6V$ ,  
 $V_{IN} = 12V$ ,  
 $L = 1.3\mu H$ ,  
 $F_{SW} = 250kHz$ ,  
 Then  $i_{PK-PK} = 4.3A$

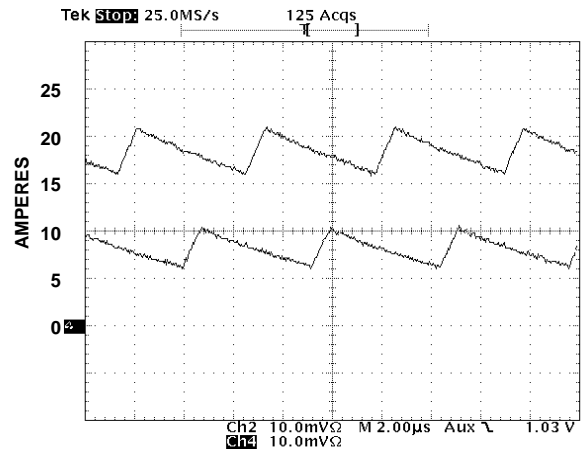


FIGURE 8. TWO CHANNEL MULTIPHASE SYSTEM WITH CURRENT BALANCING DISABLED

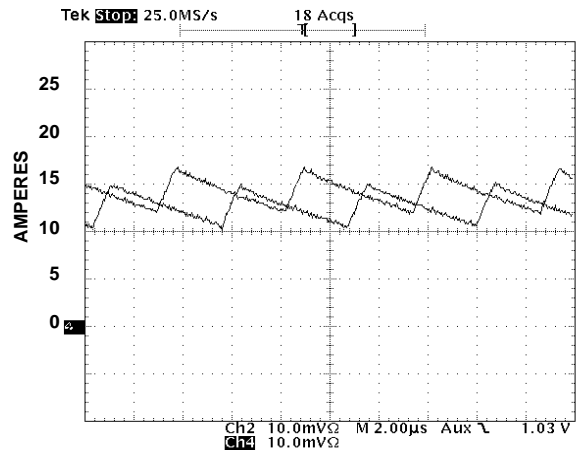


FIGURE 9. TWO CHANNEL MULTIPHASE SYSTEM WITH CURRENT BALANCING ENABLED

The inductor, or load current, flows alternately from  $V_{IN}$  through Q1 and from ground through Q2. The HIP6301 samples the on-state voltage drop across each Q2 transistor to indicate the inductor current in that phase. The voltage drop is sampled 1/3 of a switching period,  $1/F_{SW}$ , after Q1 is turned OFF and Q2 is turned on. Because of the sawtooth current component, the sampled current is different from the average current per phase. Neglecting secondary effects,

the sampled current ( $I_{SAMPLE}$ ) can be related to the load current ( $I_{LT}$ ) by:

$$I_{SAMPLE} = \frac{\frac{I_{LT}}{n} + (V_{IN})V_{CORE} - 3V_{CORE}^2}{(6L)(F_{SW})(V_{IN})}$$

Where:  $I_{LT}$  = total load current  
 $n$  = the number of channels

Example: Using the previously given conditions, and  
 For  $I_{LT} = 100A$ ,  
 $n = 4$

Then  $I_{SAMPLE} = 25.49A$

As discussed previously, the voltage drop across each Q2 transistor at the point in time when current is sampled is  $r_{DS(ON)}(Q2) \times I_{SAMPLE}$ . The voltage at Q2's drain, the PHASE node, is applied through the  $R_{ISEN}$  resistor to the HIP6301 ISEN pin. This pin is held at virtual ground, so the current into ISEN is:

$$I_{SENSE} = \frac{(I_{SAMPLE})r_{DS(ON)}(Q2)}{R_{ISEN}}$$

$$R_{ISEN} = \frac{(I_{SAMPLE})r_{DS(ON)}(Q2)}{50\mu A}$$

Example: From the previous conditions,

- where  $I_{LT} = 100A$ ,
- $I_{SAMPLE} = 25.49A$ ,
- $r_{DS(ON)}(Q2) = 4m\Omega$
- Then:  $R_{ISEN} = 2.04K$  and
- $I_{CURRENT TRIP} = 165\%$
- Short circuit  $I_{LT} = 165A$ .

### Channel Frequency Oscillator

The channel oscillator frequency is set by placing a resistor,  $R_T$ , to ground from the FS/DIS pin. Figure 10 is a curve showing the relationship between frequency,  $F_{SW}$ , and resistor  $R_T$ . To avoid pickup by the FS/DIS pin, it is important to place this resistor next to the pin.

### Layout Considerations

MOSFETs switch very fast and efficiently. The speed with which the current transitions from one device to another causes voltage spikes across the interconnecting impedances and parasitic circuit elements. These voltage spikes can degrade efficiency, radiate noise into the circuit and lead to device overvoltage stress. Careful component layout and printed circuit design minimizes the voltage spikes in the converter. Consider, as an example, the turnoff transition of the upper PWM MOSFET. Prior to turnoff, the upper MOSFET was carrying channel current. During the turnoff, current stops flowing in the upper MOSFET and is picked up by the lower MOSFET. Any inductance in the switched current path generates a large voltage spike during the switching interval. Careful component selection, tight layout of the critical components, and short, wide circuit

traces minimize the magnitude of voltage spikes. Contact **Intersil** for evaluation board drawings of the component placement and printed circuit board.

There are two sets of critical components in a DC-DC converter using a HIP6301 controller and a HIP6601B gate driver. The power components are the most critical because they switch large amounts of energy. Next are small signal components that connect to sensitive nodes or supply critical bypassing current and signal coupling.

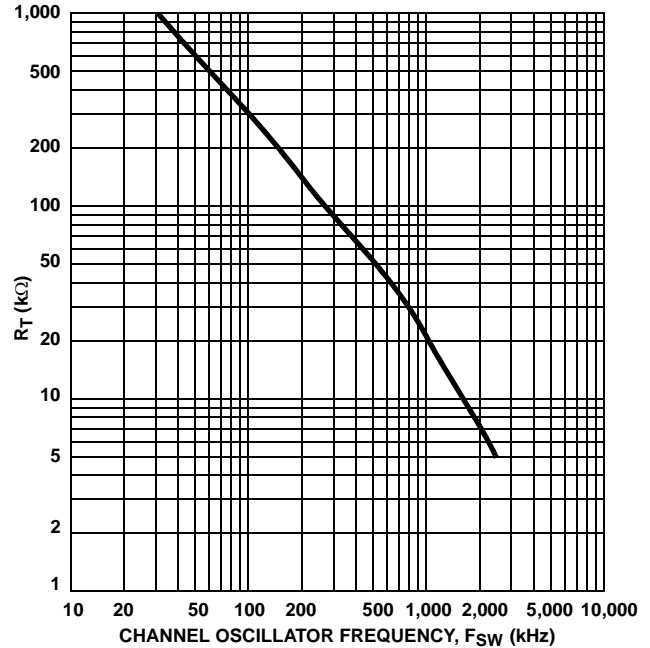


FIGURE 10. RESISTANCE  $R_T$  vs FREQUENCY

The power components should be placed first. Locate the input capacitors close to the power switches. Minimize the length of the connections between the input capacitors,  $C_{IN}$ , and the power switches. Locate the output inductors and output capacitors between the MOSFETs and the load. Locate the gate driver close to the MOSFETs.

The critical small components include the bypass capacitors for VCC and PVCC on the gate driver ICs. Locate the bypass capacitor,  $C_{BP}$ , for the HIP6301 controller close to the device. It is especially important to locate the resistors associated with the input to the amplifiers close to their respective pins, since they represent the input to feedback amplifiers. Resistor  $R_T$ , that sets the oscillator frequency should also be located next to the associated pin. It is especially important to place the  $R_{SEN}$  resistor(s) at the respective terminals of the HIP6301.

A multi-layer printed circuit board is recommended. Figure 11 shows the connections of the critical components for one output channel of the converter. Note that capacitors  $C_{IN}$  and  $C_{OUT}$  could each represent numerous physical capacitors. Dedicate one solid layer, usually the middle layer of the PC board, for a ground plane and make all critical component ground connections



with vias to this layer. Dedicate another solid layer as a power plane and break this plane into smaller islands of common voltage levels. Keep the metal runs from the PHASE terminal to inductor L<sub>O1</sub> short. The power plane should support the input power and output power nodes. Use copper filled polygons on the top and bottom circuit layers for the phase nodes. Use the remaining printed circuit layers for small signal wiring. The wiring traces from the driver IC to the MOSFET gate and source should be sized to carry at least one ampere of current.

### Component Selection Guidelines

#### Output Capacitor Selection

The output capacitor is selected to meet both the dynamic load requirements and the voltage ripple requirements. The load transient for the microprocessor CORE is characterized by high slew rate (di/dt) current demands. In general, multiple high quality capacitors of different size and dielectric are paralleled to meet the design constraints.

Modern microprocessors produce severe transient load rates. High frequency capacitors supply the initially transient current and slow the load rate-of-change seen by the bulk capacitors. The bulk filter capacitor values are generally determined by the ESR (effective series resistance) and voltage rating requirements rather than actual capacitance requirements.

High frequency decoupling capacitors should be placed as close to the power pins of the load as physically possible. Be careful not to add inductance in the circuit board wiring that could cancel the usefulness of these low inductance components. Consult with the manufacturer of the load on specific decoupling requirements.

Use only specialized low-ESR capacitors intended for switching-regulator applications for the bulk capacitors. The

bulk capacitor's ESR determines the output ripple voltage and the initial voltage drop following a high slew-rate transient's edge. In most cases, multiple capacitors of small case size perform better than a single large case capacitor.

Bulk capacitor choices include aluminum electrolytic, OS-Con, Tantalum and even ceramic dielectrics. An aluminum electrolytic capacitor's ESR value is related to the case size with lower ESR available in larger case sizes. However, the equivalent series inductance (ESL) of these capacitors increases with case size and can reduce the usefulness of the capacitor to high slew-rate transient loading. Unfortunately, ESL is not a specified parameter. Consult the capacitor manufacturer and measure the capacitor's impedance with frequency to select a suitable component.

#### Output Inductor Selection

One of the parameters limiting the converter's response to a load transient is the time required to change the inductor current. Small inductors in a multi-phase converter reduces the response time without significant increases in total ripple current.

The output inductor of each power channel controls the ripple current. The control IC is stable for channel ripple current (peak-to-peak) up to twice the average current. A single channel's ripple current is approximately:

$$\Delta I = \frac{V_{IN} - V_{OUT}}{F_{SW} \times L} \times \frac{V_{OUT}}{V_{IN}}$$

The current from multiple channels tend to cancel each other and reduce the total ripple current. Figure 12 gives the total ripple current as a function of duty cycle, normalized to the parameter (V<sub>O</sub>)/(Lx F<sub>SW</sub>) at zero duty cycle. To determine the total ripple current from the number of channels and the duty cycle, multiply the y-axis value by (V<sub>O</sub>)/(Lx F<sub>SW</sub>).

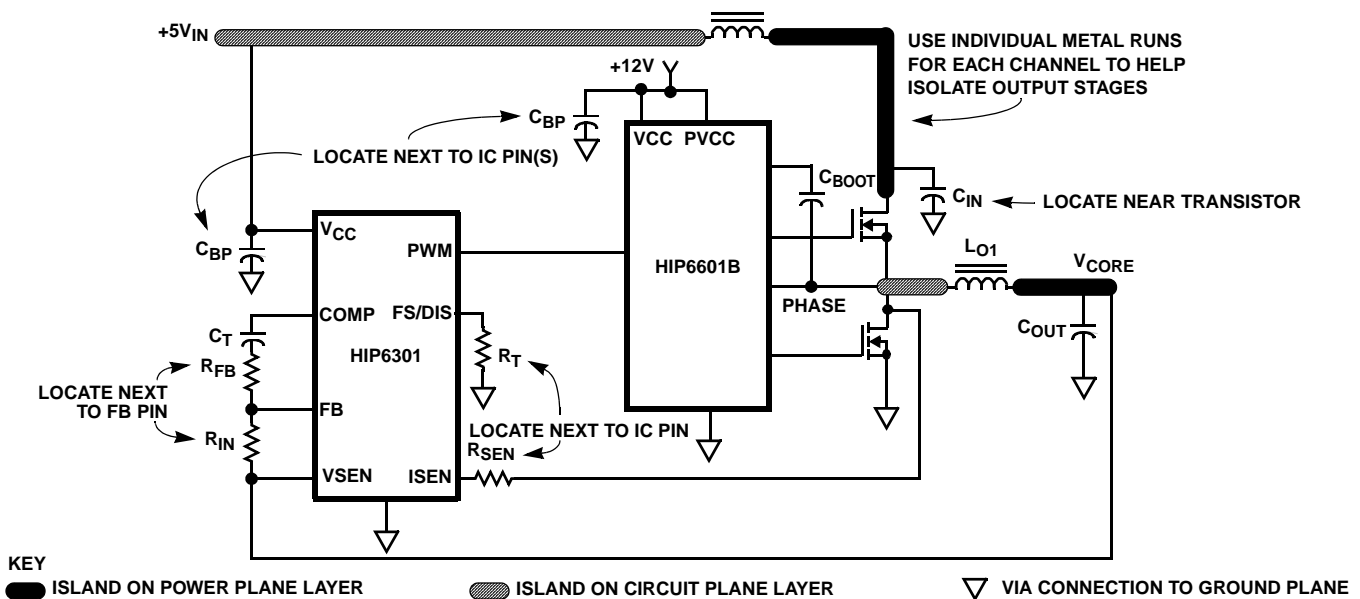


FIGURE 11. PRINTED CIRCUIT BOARD POWER PLANES AND ISLANDS

Small values of output inductance can cause excessive power dissipation. The HIP6303 is designed for stable operation for ripple currents up to twice the load current. However, for this condition, the RMS current is 115% above the value shown in the following MOSFET Selection and Considerations section. With all else fixed, decreasing the inductance could increase the power dissipated in the MOSFETs by 30%.

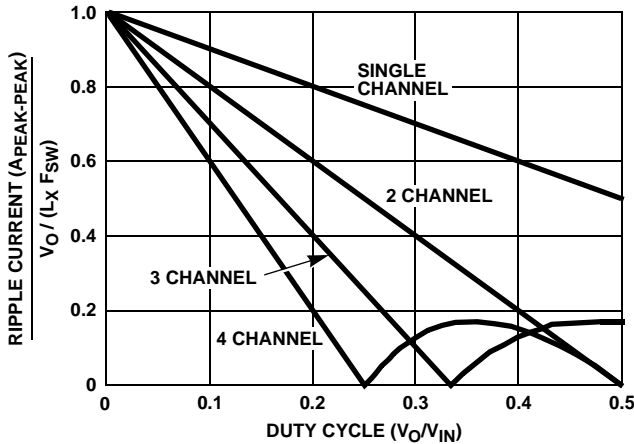


FIGURE 12. RIPPLE CURRENT vs DUTY CYCLE

**Input Capacitor Selection**

The important parameters for the bulk input capacitors are the voltage rating and the RMS current rating. For reliable operation, select bulk input capacitors with voltage and current ratings above the maximum input voltage and largest RMS current required by the circuit. The capacitor voltage rating should be at least 1.25 times greater than the maximum input voltage and a voltage rating of 1.5 times is a conservative guideline. The RMS current required for a multi-phase converter can be approximated with the aid of Figure 13.

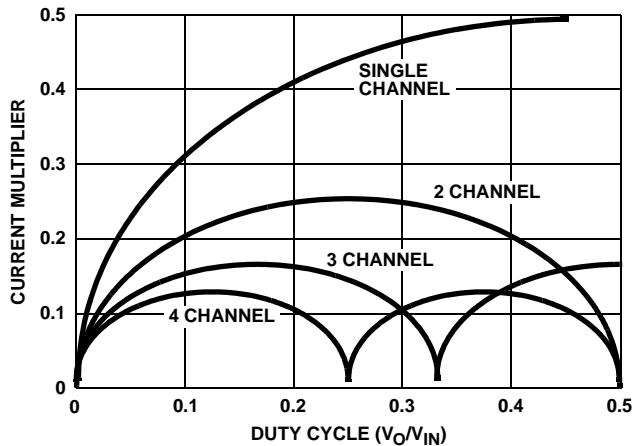


FIGURE 13. CURRENT MULTIPLIER vs DUTY CYCLE

First determine the operating duty ratio as the ratio of the output voltage divided by the input voltage. Find the Current Multiplier from the curve with the appropriate power channels. Multiply the current multiplier by the full load output current. The resulting value is the RMS current rating required by the input capacitor.

Use a mix of input bypass capacitors to control the voltage overshoot across the MOSFETs. Use ceramic capacitance for the high frequency decoupling and bulk capacitors to supply the RMS current. Small ceramic capacitors should be placed very close to the drain of the upper MOSFET to suppress the voltage induced in the parasitic circuit impedances.

For bulk capacitance, several electrolytic capacitors (Panasonic HFQ series or Nichicon PL series or Sanyo MV-GX or equivalent) may be needed. For surface mount designs, solid tantalum capacitors can be used, but caution must be exercised with regard to the capacitor surge current rating. These capacitors must be capable of handling the surge-current at power-up. The TPS series available from AVX, and the 593D series from Sprague are both surge current tested.

**MOSFET Selection and Considerations**

In high-current PWM applications, the MOSFET power dissipation, package selection and heatsink are the dominant design factors. The power dissipation includes two loss components; conduction loss and switching loss. These losses are distributed between the upper and lower MOSFETs according to duty factor (see the following equations). The conduction losses are the main component of power dissipation for the lower MOSFETs, Q2 and Q4 of Figure 1. Only the upper MOSFETs, Q1 and Q3 have significant switching losses, since the lower device turns on and off into near zero voltage.

The equations assume linear voltage-current transitions and do not model power loss due to the reverse-recovery of the lower MOSFETs body diode. The gate-charge losses are dissipated by the Driver IC and don't heat the MOSFETs. However, large gate-charge increases the switching time,  $t_{SW}$  which increases the upper MOSFET switching losses. Ensure that both MOSFETs are within their maximum junction temperature at high ambient temperature by calculating the temperature rise according to package thermal-resistance specifications. A separate heatsink may be necessary depending upon MOSFET power, package type, ambient temperature and air flow.

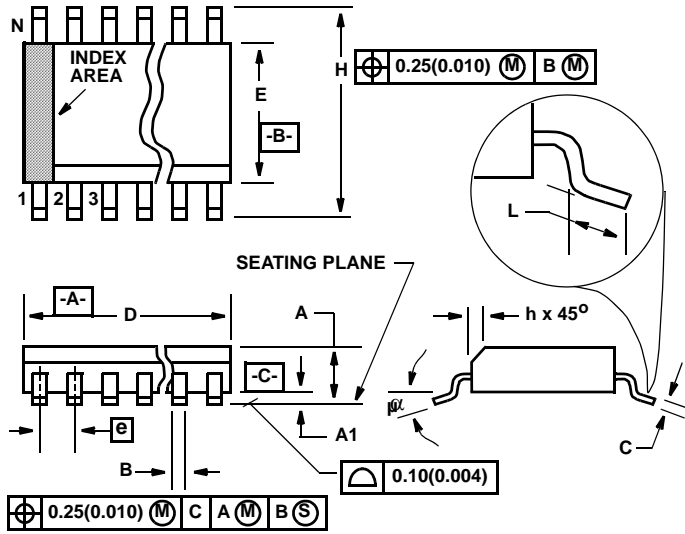
$$P_{UPPER} = \frac{I_O^2 \times r_{DS(ON)} \times V_{OUT}}{V_{IN}} + \frac{I_O \times V_{IN} \times t_{SW} \times F_{SW}}{2}$$

$$P_{LOWER} = \frac{I_O^2 \times r_{DS(ON)} \times (V_{IN} - V_{OUT})}{V_{IN}}$$

A diode, anode to ground, may be placed across Q2 and Q4 of Figure 1. These diodes function as a clamp that catches the negative inductor swing during the dead time between the turn off of the lower MOSFETs and the turn on of the upper MOSFETs. The diodes must be a Schottky type to prevent the lossy parasitic MOSFET body diode from conducting. It is usually acceptable to omit the diodes and let the body diodes of the lower MOSFETs clamp the negative inductor swing, but efficiency could drop one or two percent as a result. The diode's rated reverse breakdown voltage must be greater than the maximum input voltage.



**Small Outline Plastic Packages (SOIC)**



**M20.3 (JEDEC MS-013-AC ISSUE C)  
20 LEAD WIDE BODY SMALL OUTLINE PLASTIC PACKAGE**

SYMBOL	INCHES		MILLIMETERS		NOTES
	MIN	MAX	MIN	MAX	
A	0.0926	0.1043	2.35	2.65	-
A1	0.0040	0.0118	0.10	0.30	-
B	0.014	0.019	0.35	0.49	9
C	0.0091	0.0125	0.23	0.32	-
D	0.4961	0.5118	12.60	13.00	3
E	0.2914	0.2992	7.40	7.60	4
e	0.050 BSC		1.27 BSC		-
H	0.394	0.419	10.00	10.65	-
h	0.010	0.029	0.25	0.75	5
L	0.016	0.050	0.40	1.27	6
N	20		20		7
$\alpha$	0°	8°	0°	8°	-

Rev. 1 1/02

**NOTES:**

1. Symbols are defined in the "MO Series Symbol List" in Section 2.2 of Publication Number 95.
2. Dimensioning and tolerancing per ANSI Y14.5M-1982.
3. Dimension "D" does not include mold flash, protrusions or gate burrs. Mold flash, protrusion and gate burrs shall not exceed 0.15mm (0.006 inch) per side.
4. Dimension "E" does not include interlead flash or protrusions. Interlead flash and protrusions shall not exceed 0.25mm (0.010 inch) per side.
5. The chamfer on the body is optional. If it is not present, a visual index feature must be located within the crosshatched area.
6. "L" is the length of terminal for soldering to a substrate.
7. "N" is the number of terminal positions.
8. Terminal numbers are shown for reference only.
9. The lead width "B", as measured 0.36mm (0.014 inch) or greater above the seating plane, shall not exceed a maximum value of 0.61mm (0.024 inch)
10. Controlling dimension: MILLIMETER. Converted inch dimensions are not necessarily exact.

All Intersil U.S. products are manufactured, assembled and tested utilizing ISO9000 quality systems. Intersil Corporation's quality certifications can be viewed at [www.intersil.com/design/quality](http://www.intersil.com/design/quality)

*Intersil products are sold by description only. Intersil Corporation reserves the right to make changes in circuit design, software and/or specifications at any time without notice. Accordingly, the reader is cautioned to verify that data sheets are current before placing orders. Information furnished by Intersil is believed to be accurate and reliable. However, no responsibility is assumed by Intersil or its subsidiaries for its use; nor for any infringements of patents or other rights of third parties which may result from its use. No license is granted by implication or otherwise under any patent or patent rights of Intersil or its subsidiaries.*

For information regarding Intersil Corporation and its products, see [www.intersil.com](http://www.intersil.com)