

Constant Current LED Driver with PWM Control

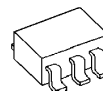
■ GENERAL DESCRIPTION

The NJW4615 is a constant current LED with PWM control. 35V resisting constant current control and PWM control circuit can be offered with small package.

It can achieve luminance control multiple white or blue and red LEDs. It can contribute to the reliability improvement of the system because it has an overcurrent protection and thermal shutdown circuit.

The NJW4615 is suit for an amusement, home audio, etc.

■ PACKAGE OUTLINE

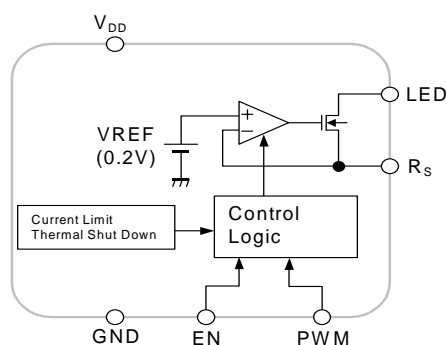


NJW4615F1

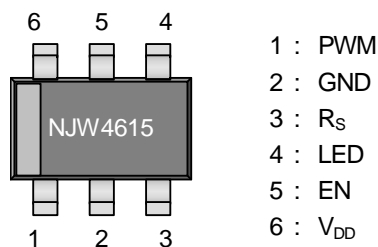
■ FEATURES

- Operating Voltage Range 2.5V to 5.5V
- LED Drive Voltage $V_{LED} = 35V(\text{max.})$
- LED Output Current 100mA(max.)
- Current consumption 200 μ A
- Output current accuracy $\pm 1.2\%$
- To 8 of White LED can be operated.
- With PWM Luminance Control
- Internal overcurrent protection circuit
- Internal thermal shutdown circuit
- Package SOT-23-6

■ BLOCK DIAGRAM



■ PIN CONFIGURATION



NJW4615

■ ABABSOLUTE MAXIMUM RATINGS

(Ta=25°C)

PARAMETERS	SYMBOL	RATINGS	UNIT
VDD Power Supply	V _{DD}	-0.3 to +6.0	V
Output voltage	V _{LED}	-0.3 to +40	V
Output Current	I _{LED}	100	mA
PWM Terminals Voltage	V _{PWM}	+6.0 (*1)	V
EN Terminals Voltage	V _{EN}	+6.0 (*1)	V
Power Consumption	P _D	510 (*2)	mW
Junction Temperature	T _j	-40 to +150	°C
Operating Temperature	T _{opr}	-40 to +85	°C
Storage Temperature	T _{stg}	-40 to +150	°C

(*1): When input voltage is less than +6V, the absolute maximum control voltage is equal to the input voltage.

(*2): Mounted on glass epoxy board based on EIA/JEDEC. (76.2 x 114.3 x 1.6mm : 2Layers)

■ RECOMMENDED OPERATING CONDITIONS

(Ta=25°C)

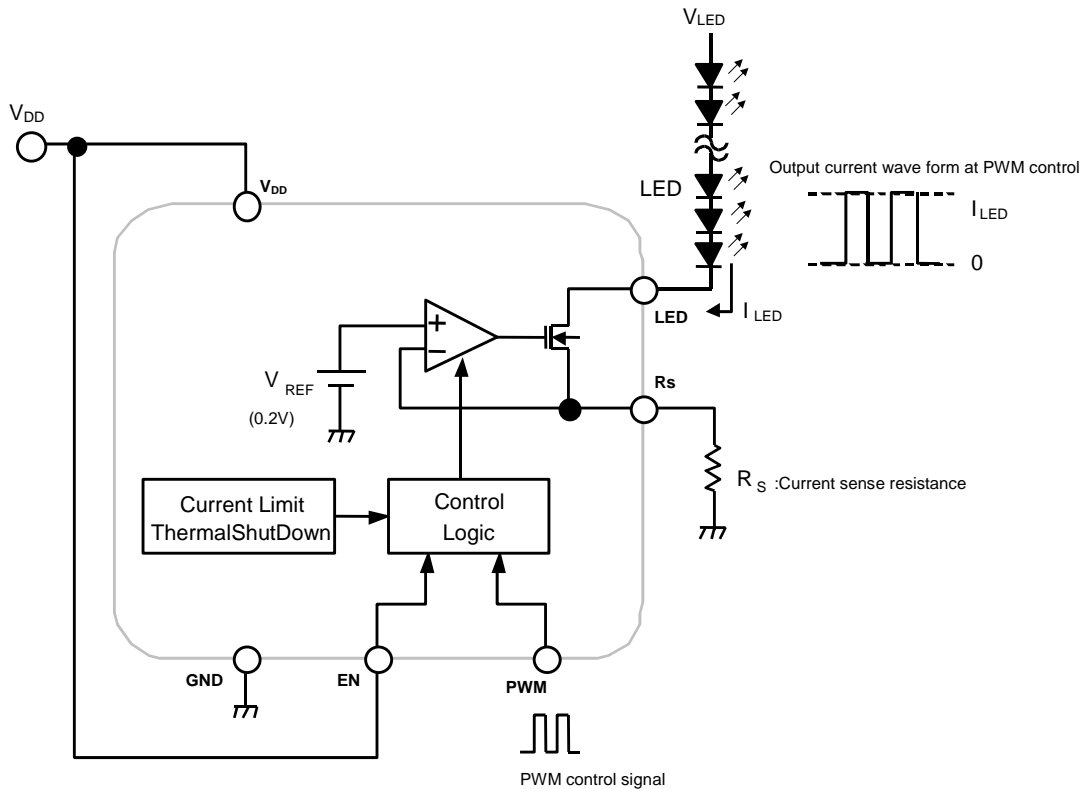
PARAMETERS	SYMBOL	CONDITIONS	MIN	TYP	MAX	Unit
Operating voltage	V _{DD}		2.5	-	5.5	V
Output voltage	V _{LED}		-	-	35	V

■ ELECTRICAL CHARACTERISTICS

(Unless otherwise noted, V_{DD}=3.0V, V_{LED}=1.0V, R_S=10Ω, V_{EN}=V_{PWM}=V_{DD}, Ta=25°C)

PARAMETERS	SYMBOL	CONDITIONS	MIN	TYP	MAX	Unit
Operating Current	I _{DD}		-	200	320	μA
Operating Current at OFF state	I _{DD_OFF}	V _{EN} =GND	-	-	0.1	μA
Output Current Accuracy	ΔI _{LED}		-1.2	-	+1.2	%
Output Terminal Leak Current	I _{LEAK1}	V _{EN} =GND, V _{DD} =5.5V, V _{LED} =35V	-	-	0.1	μA
Output Terminal Leak Current 2	I _{LEAK2}	V _{PWM} =GND V _{DD} =5.5V, V _{LED} =35V	-	-	0.1	μA
EN Terminal ON Voltage	V _{EN_ON}	I _{LED} =OFF→ON	1.6	-	V _{DD}	V
EN Terminal OFF Voltage	V _{EN_OFF}	I _{LED} =ON→OFF	0	-	0.3	V
PWM Terminal ON Voltage	V _{PWM_ON}	I _{LED} =OFF→ON	0.7V _{DD}	-	V _{DD}	V
PWM Terminal OFF Voltage	V _{PWM_OFF}	I _{LED} =ON→OFF	0	-	0.3V _{DD}	V
EN Terminal Input Current	I _{EN}		-	-	0.1	μA
PWM Terminal Input Current	I _{PWM}		-	-	0.1	μA
RS Terminal Leak Current	I _{LEAK_RS}	V _{EN} =GND, V _{RS} =V _{LED} =3V	-	-	0.1	μA
PWM Terminal ON Delay Time	t _{PWM_ON}	V _{PWM} =L→H	-	3	-	μs
PWM Terminal OFF Delay Time	t _{PWM_OFF}	V _{PWM} =H→L	-	1	-	μs
Maximum Output Current	I _{LED_MAX}	R _S =0Ω	100	170	-	mA

■ TYPICAL APPLICATION



The R_s Resistance Setting formula :
$$R_s = \frac{0.2(V)}{I_{LED}}$$

[CAUTION]
 The specifications on this databook are only given for information, without any guarantee as regards either mistakes or omissions. The application circuits in this databook are described only to show representative usages of the product and not intended for the guarantee or permission of any right including the industrial rights.