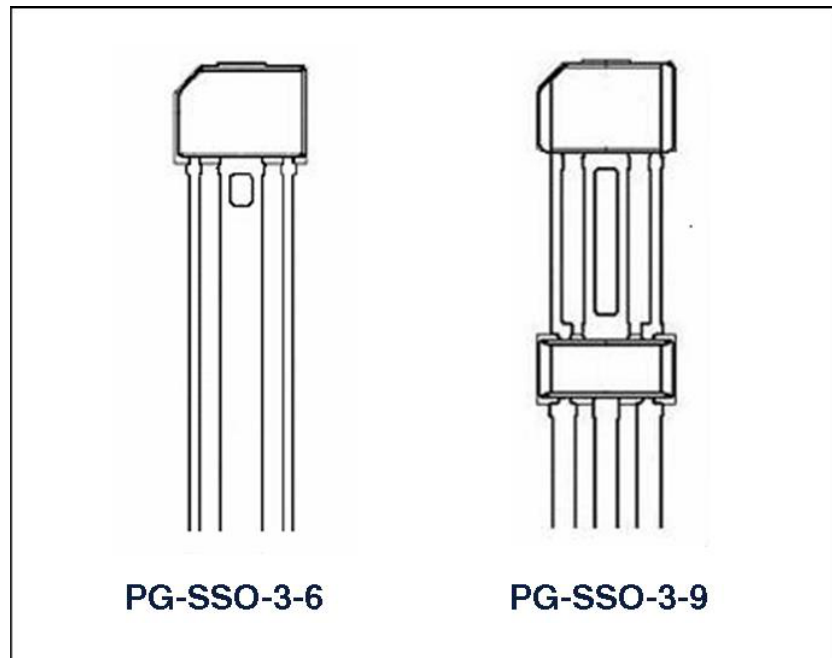


## Data Sheet Supplement Version 2.0

**Dynamic Differential Hall Effect Sensor**

**TLE4982-HT  
TLE4982C-HT**

For all parameters not specified in this document the TLE4982/82C data sheet is valid.



Type	Marking	Ordering Code	Package
TLE4982-HT	82B0E5	Q62705K 762	PG-SSO-3-6
TLE4982C-HT	82BCE5	Q62705K 763	PG-SSO-3-9

# 1 TLE4982-HT, TLE4982C-HT

## 1.1 Absolute Maximum Ratings

Parameter	Symbol	min.	typ.	max.	Unit	Conditions
Junction temperature	$T_j$	-40			°C	-
				155	°C	5000 h (not additive)
				165	°C	2500 h (not additive)
				175	°C	500 h (not additive)
				195	°C	10x1 h (additive to the other life times).

## 1.2 Operating Range

Operating junction temperature	$T_j$	-40			°C	-
				155	°C	5000 h (not additive)
				165	°C	2500 h (not additive)
				175	°C	500 h (not additive) reduced signal quality permissible (e.g. jitter).

**Revision History:** **March 2005** Version 2.0

Previous Version: 1.0

Page	Subjects (major changes since last revision)
-	Change from preliminary to final data sheet

**Infineon Technologies AG**

© Infineon Technologies AI SC

**All Rights Reserved.**<http://www.infineon.com/products/sensors>**We Listen to Your Comments**

Any information within this document that you feel is wrong, unclear or missing at all?  
Your feedback will help us to continuously improve the quality of this document.  
Please send your proposal (including a reference to this document) to:

**Feedback.sensors@infineon.com**