

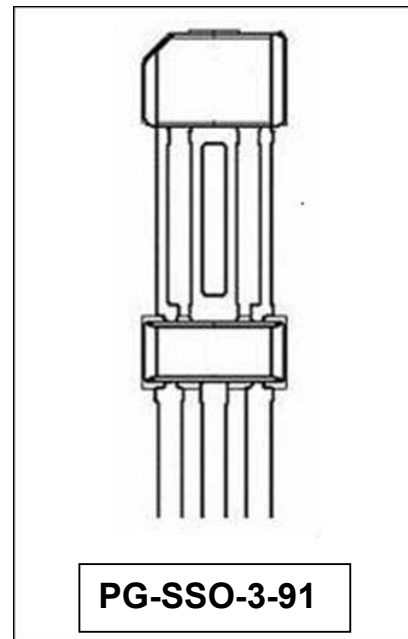


**Data Sheet Supplement  
Version 3.0 (valid for 8" product)**

**Dynamic Differential Hall Effect Sensor**

**TLE4925C-N**

For all parameters not specified in this document the TLE4925C data sheet is valid.



Type	Marking	Ordering Code	Package
TLE4925C-N	25C7	SP000269343	PG-SSO-3-91

## 1 TLE4925C-N

- Package: PG-SSO-3-91 with nickel plating instead of standard 100% Sn plating.
- For NiNiP surface normal soldering procedure is inapplicable
- processing: laserwelding

**Revision History:** **April 2007** **Version 3.0**

Previous Version: 2.0	
<b>Page</b>	<b>Subjects (major changes since last revision)</b>
1	Data sheet is valid for 8" products
1	Ordering code updated

**Infineon Technologies AG**  
**© Infineon Technologies AIM SC**  
**All Rights Reserved.**  
<http://www.infineon.com/products/sensors>

**We Listen to Your Comments**

Any information within this document that you feel is wrong, unclear or missing at all?  
Your feedback will help us to continuously improve the quality of this document.  
Please send your proposal (including a reference to this document) to:

**Sensors@infineon.com**

