

LM2781

Ultra-Low Ripple Switched Capacitor Voltage Inverter

General Description

The LM2781 is a charge pump that inverts an input voltage in the range of 1.8V to 5.5V to the corresponding output voltage of -1.8V to -5.5V. With use of three or four low-cost external ceramic capacitors, the LM2781 can provide up to 50mA of output current.

The LM2781 operates at a 210kHz typical switching frequency to minimize supply current (0.7mA typ.). Two charge pumps operate 180° out of phase to significantly reduce the output voltage ripple compared to that of traditional single-phase charge pump circuits. If larger output ripple can be tolerated, optional capacitor C2 may be omitted to reduce the cost and size of the solution. The LM2781 is available in an 8-pin Micro SMD chip-scale package.

See also: LM2780, a slow clock (12kHz typ) version of this topology with extremely low supply current.

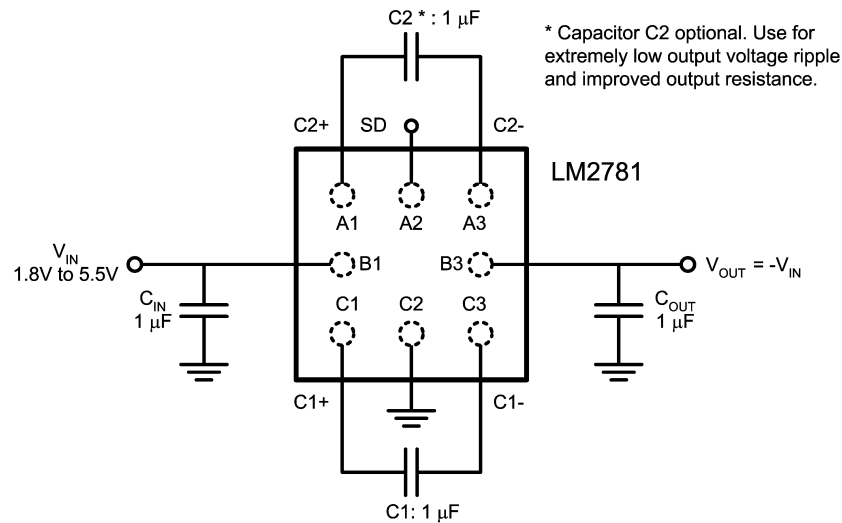
Features

- Inverts Input Voltage
- Ultra-Low Voltage Ripple and 8Ω Typical Output Resistance with Two Flying Capacitors
- Output Resistance of 18Ω Using One Flying Capacitor
- 210kHz (typ.) Switching Frequency
- 8-pin micro SMD Package (1.4mm x 1.4mm x 0.5mm)

Applications

- Cellular Phones
- Pagers
- PDAs
- Op-Amp Power Supplies
- Interface Power Supplies
- Handheld Instruments

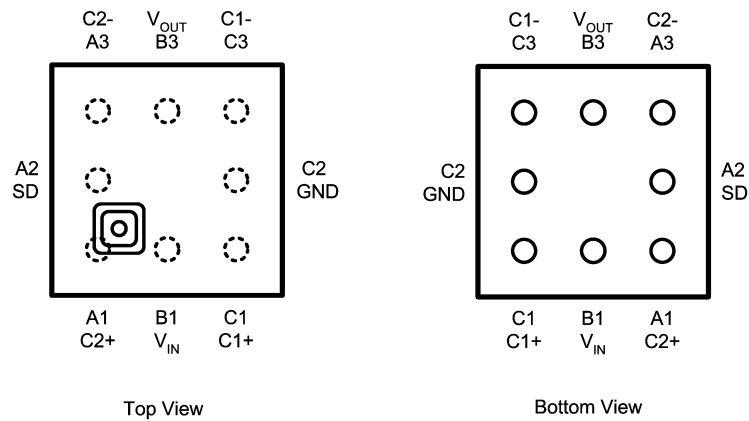
Typical Application Circuit



20044701

Connection Diagram

8-Bump Thin Micro SMD Package
NS Package Number TPA08



20044702

Pin Description

Pin	Name	Description
A1	C2+	Secondary flying-capacitor connection
B1	V_{IN}	Input voltage. Input range: 1.8V to 5.5V
C1	C1+	Primary flying-capacitor connection
A2	SD	Shutdown pin logic input. Low = on, High = shutdown
C2	GND	Ground
A3	C2-	Secondary flying-capacitor connection
B3	V_{OUT}	Output voltage. $V_{OUT} = -V_{IN}$
C3	C1-	Primary flying capacitor connection

Ordering Information

Order Number	Package Description	Package Marking	Supplied as
LM2781TP	TPA08: Thin Micro SMD	12	Tape and reel, 250 pcs.
LM2781TPX	TPA08: Thin Micro SMD	12	Tape and reel, 3000 pcs.

Absolute Maximum Ratings (Notes 1,

2)

If Military/Aerospace specified devices are required, please contact the National Semiconductor Sales Office/Distributors for availability and specifications.

V_{IN} pin: Voltage to GND	-0.3V to 5.8V
SD pin: Voltage to GND	-0.3V to $(V_{IN} + 0.3V)$, with 5.8V max
Output Short-to-GND Duration (Note 3)	1 sec.
Maximum Junction Temperature (T_{J-MAX})	150°C
Storage Temperature Range	-65°C to +150°C
Pad Temperature (Soldering, 10 sec.)	265°C

ESD Rating (Note 4)

Human-body model	2kV
Machine model	200V

Operating Ratings (Notes 1, 2)

Input Voltage Range	1.8V to 5.5V
Junction Temperature (T_J) Range	-40°C to +90°C
Ambient Temperature (T_A) Range (Note 5)	-40°C to +85°C

Thermal Properties

Junction-to-Ambient Thermal Resistance (θ_{JA}), TPA08 Package (Note 6)	220°C/W
--	---------

Electrical Characteristics (Notes 2, 7)

Limits in standard typeface are for $T_J = 25^\circ\text{C}$, and limits in **boldface** type apply over the full operating junction temperature range ($-40^\circ\text{C} \leq T_J \leq +90^\circ\text{C}$). Unless otherwise noted: specifications apply to the LM2781 Typical Application Circuit (pg. 1) with $V_{IN} = 5.0\text{V}$, $V(\text{SD}) = 0\text{V}$, and $C_{IN} = C_{OUT} = C1 = C2 = 1\mu\text{F}$. (Note 8)

Symbol	Parameter	Conditions	Min	Typ	Max	Units
R_{OUT}	Output Resistance (Note 9)	$I_{OUT} = 10\text{mA}$, $C2 = 1\mu\text{F}$		8	30	Ω
		$I_{OUT} = 10\text{mA}$, $C2$ removed		18	40	Ω
I_Q	Supply Current	No load		0.7	1.4	mA
I_{SD}	Shutdown Supply Current	$V(\text{SD}) = 5.0\text{V}$		0.1	0.5	μA
F_{SW}	Switching Frequency		100	210	400	kHz
V_{SD}	Shutdown Pin Logic Levels	Normal Operation $1.8\text{V} \leq V_{IN} \leq 5.5\text{V}$	0		0.5	V
		Shutdown Mode $1.8\text{V} \leq V_{IN} \leq 5.5\text{V}$	$0.5 \times V_{IN}$		V_{IN}	
V_{OUTP-P}	Output Voltage Ripple	$V_{IN} = 5.0\text{V}$, $I_{OUT} = 10\text{mA}$		10		mV
P_{EFF}	Power Efficiency	$V_{IN} = 5.0\text{V}$, $I_{OUT} = 10\text{mA}$		92		%

Note 1: Absolute Maximum Ratings indicate limits beyond which damage to the component may occur. Operating Ratings are conditions under which operation of the device is guaranteed. Operating Ratings do not imply guaranteed performance limits. For guaranteed performance limits and associated test conditions, see the Electrical Characteristics table.

Note 2: All voltages are with respect to the potential at the GND pin.

Note 3: V_{OUT} may be shorted to GND for one second without damage when the ambient temperature is at or below 85°C. Prolonged or repeated shorts of V_{OUT} to GND may damage the device, and should be avoided.

Note 4: The human-body model is a 100pF capacitor discharged through a 1.5k Ω resistor into each pin. The machine model is a 200pF capacitor discharged directly into each pin.

Note 5: Maximum ambient temperature (T_{A-MAX}) is dependent on the maximum operating junction temperature ($T_{J-MAX-OP} = 90^\circ\text{C}$), the maximum power dissipation of the device in the application (P_{D-MAX}), and the junction-to-ambient thermal resistance of the part in the application (θ_{JA}), as given by the following equation: $T_{A-MAX} = T_{J-MAX-OP} - (\theta_{JA} \times P_{D-MAX})$.

Note 6: Junction-to-ambient thermal resistance of the micro SMD package is highly application and board-layout dependent.

Note 7: Max and Min limits are guaranteed by design, test, or statistical analysis. Typical numbers are not guaranteed, but do represent the most likely norm.

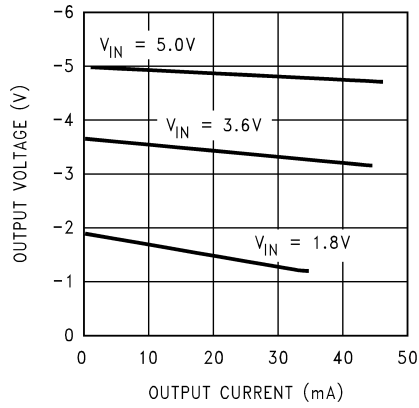
Note 8: C_{IN} , C_{OUT} , C1, and C2: Low-ESR Surface-Mount Ceramic Capacitors (MLCCs) used in setting electrical characteristics.

Note 9: Output resistance is a model for the voltage drop at the output, resulting from internal switch resistance, capacitor ESR, and charge pump charge transfer characteristics. Output voltage can be predicted with the following equation: $V_{OUT} = -[V_{IN} - (I_{OUT} \times R_{OUT})]$

Typical Performance Characteristics

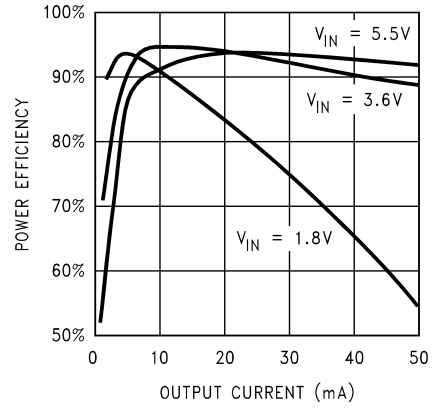
Unless otherwise specified, $T_A = 25^\circ\text{C}$, $C_{IN} = C_{OUT} = C1 = C2 = 1\mu\text{F}$.

Output Voltage vs. Load Current



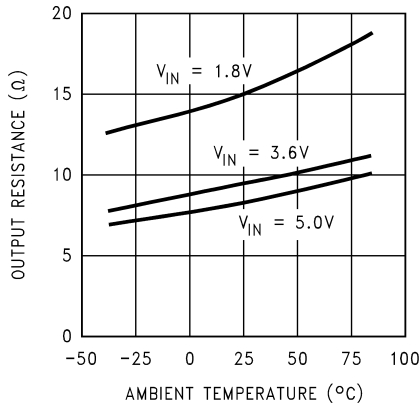
20044703

Power Efficiency vs. Load Current



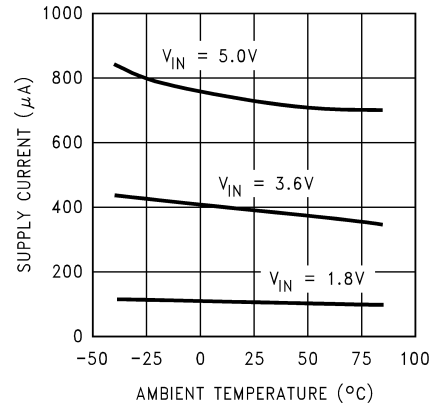
20044704

Output Resistance vs. Temperature ($I_{OUT} = 10\text{mA}$)



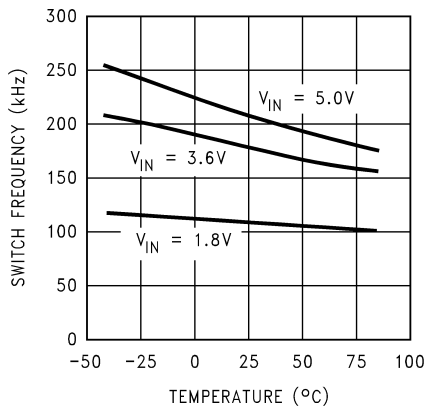
20044705

Supply Current vs. Temperature ($I_{OUT} = 0$)



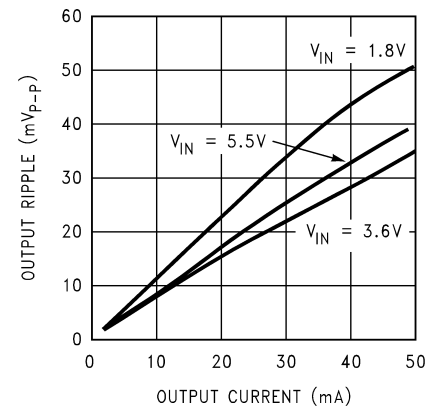
20044706

Switching Frequency vs. Temperature



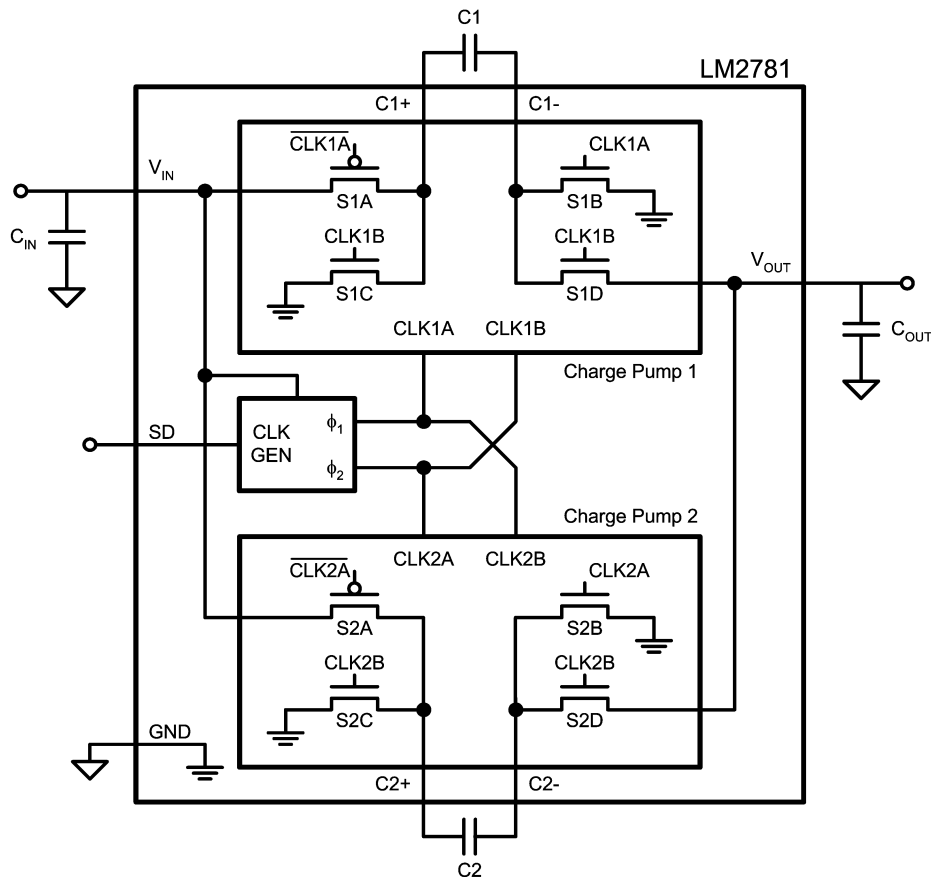
20044707

Output Voltage Ripple vs. Output Current



20044708

Block Diagram



20044710

Operation Description

The LM2781 is a switched capacitor voltage inverter that produces a negative output voltage from a positive input voltage. To minimize output voltage ripple, the LM2781 contains two charge pump inverters that operate 180° out of phase. These two charge pumps can be seen in the block diagram above.

A basic switched capacitor inverter is a two-phase charge pump circuit that transfers charge from the input to the output using a flying capacitor. Charge Pump 1 in the block diagram will be used to illustrate the operation of a single charge pump. Disregard Charge Pump 2 in the diagram for now. In phase 1 (ϕ_1), the CLK1A signal of Charge Pump 1 is high, and MOSFET switches S1A and S1B are ON. For Charge Pump 1, this is the charge phase, as the flying capacitor C1 is charged to the input voltage. In the second phase (ϕ_2), the positive-charged plate of C1 is connected to GND through switch S1C, and the negative-charged plate is connected to the output through switch S1D. This results in the output voltage being approximately equal in magnitude to the input voltage, but opposite in sign ($V_{OUT} \approx -V_{IN}$). In this pump phase, charge stored on the flying capacitor supplies the current to the load and transfers charge to the output capacitor.

This basic inverter has ripple in the output voltage. During the charge phase, the load current is supplied by the charge on the output capacitor. As charge is pulled off C_{OUT} , the voltage across the capacitor drops, and the magnitude of the output voltage ($|V_{OUT}|$) falls. During the pump phase, the

flying capacitor transfers charge to the C_{OUT} , elevating both the voltage across the C_{OUT} and the magnitude of the output voltage.

The LM2781 contains two charge pump inverters running 180° out of phase. Notice in the block diagram that the clock connections on Charge Pump 2 are opposite of the clock connections to Charge Pump 1. Thus, when Charge Pump 1 is in the charge phase, Charge Pump 2 is in the pump phase, and vice-versa. With this double-pump technology, there is always a flying capacitor connected to the output. This results in significantly lower output voltage ripple than that of a single-pump inverter.

OUTPUT VOLTAGE RIPPLE

Several factors influence the magnitude of voltage ripple on the output of the LM2781. Primary influences are output capacitance, flying capacitance, load current, input voltage, and output capacitor ESR.

The magnitude of the output voltage ripple is difficult to predict with equations when the LM2781 is double pumping. Refer to the Typical Performance Characteristic curves for this information. In general, ripple decreases with increased output capacitance, decreased load current, a lower input voltage, a smaller flying capacitance and/or a smaller output capacitor ESR.

When only one charge pump is active (C2 removed), the output ripple is more predictable, and can be estimated with the following equation:

$$V_{\text{RIPPLE}} = [(0.5 \times I_{\text{OUT}}) / (f_{\text{SW}} \times C_{\text{OUT}})] + (2 \times I_{\text{OUT}} \times \text{ESR}_{C_{\text{OUT}}})$$

Operation Description (Continued)

OUTPUT RESISTANCE

Output resistance (R_{OUT}) models the internal non-idealities of a charge pump that result in droop in the output voltage. The effect of output resistance on output voltage is expressed in the following equation:

$$V_{OUT} = - [V_{IN} - (|I_{OUT}| \times R_{OUT})]$$

Output resistance is a function of the internal switch resistance (R_{SW}), flying capacitance ($C1$), flying capacitor equivalent series resistance (ESR_{C1}), output capacitor ESR (ESR_{Cout}), and internal switching frequency (f_{SW}). When the LM2781 operates as a single charge pump ($C2$ removed), the output resistance can be approximated by the following equation:

$$1 \text{ Fly Cap: } R_{OUT1} \sim 2R_{SW1} + [1/(f_{SW} * C1)] + 4ESR_{C1} + ESR_{Cout}$$

R_{SW1} is the sum of the ON resistance of the four internal MOSFET switches of Charge Pump 1.

With both $C1$ and $C2$ in place, the double pumping topology of the LM2781 cuts the output resistance in half:

$$2 \text{ Fly Caps: } R_{OUT2} \sim 0.5 \times R_{OUT1}$$

Recommendations for minimizing output resistance include increasing flying capacitance and minimizing output and flying capacitor ESR.

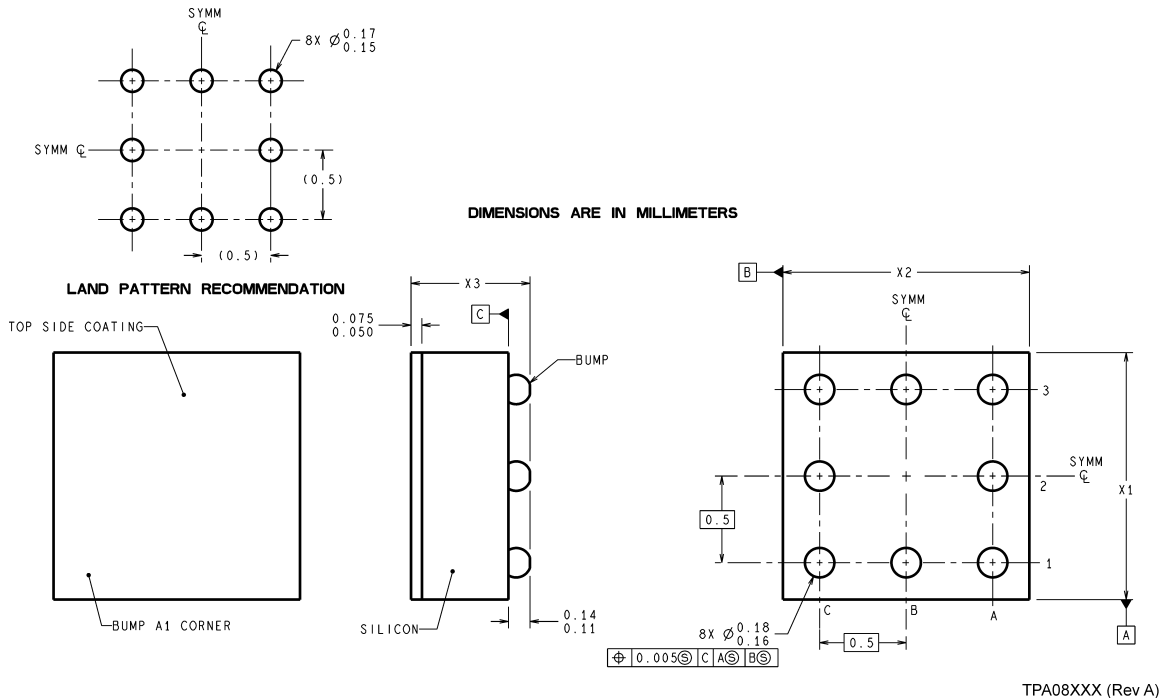
CAPACITOR SELECTION

Surface-mount multi-layer ceramic capacitors are recommended for use with the LM2781. These capacitors are small, inexpensive and have very low equivalent series resistance (ESR, $< 15\text{m}\Omega$ typ.). Tantalum capacitors, OS-CON capacitors, and aluminum electrolytic capacitors generally are not recommended for use with the LM2781 due to their high ESR, as compared to ceramic capacitors.

For most applications, ceramic capacitors with X7R or X5R temperature characteristic are preferred for use with the LM2781. These capacitors have tight capacitance tolerance (as good as $\pm 10\%$), hold their value over temperature (X7R: $\pm 15\%$ over -55°C to 125°C ; X5R: $\pm 15\%$ over -55°C to 85°C), and typically have little voltage coefficient.

Capacitors with Y5V and/or Z5U temperature characteristic are generally not recommended for use with the LM2781. These types of capacitors typically have wide capacitance tolerance ($+80\%$, -20%), vary significantly over temperature (Y5V: $+22\%$, -82% over -30°C to $+85^\circ\text{C}$ range; Z5U: $+22\%$, -56% over $+10^\circ\text{C}$ to $+85^\circ\text{C}$ range), and have poor voltage coefficients. Under some conditions, a nominal $1\mu\text{F}$ Y5V or Z5U capacitor could have a capacitance of only $0.1\mu\text{F}$. Such deviation would severely affect performance of the LM2781 circuit.

Physical Dimensions inches (millimeters) unless otherwise noted



TPA08: 8-Bump Thin Micro SMD
X1 = X2 = 1.361mm ± 0.030mm
X3 = 0.500mm ± 0.075mm

LIFE SUPPORT POLICY

NATIONAL'S PRODUCTS ARE NOT AUTHORIZED FOR USE AS CRITICAL COMPONENTS IN LIFE SUPPORT DEVICES OR SYSTEMS WITHOUT THE EXPRESS WRITTEN APPROVAL OF THE PRESIDENT AND GENERAL COUNSEL OF NATIONAL SEMICONDUCTOR CORPORATION. As used herein:

1. Life support devices or systems are devices or systems which, (a) are intended for surgical implant into the body, or (b) support or sustain life, and whose failure to perform when properly used in accordance with instructions for use provided in the labeling, can be reasonably expected to result in a significant injury to the user.
2. A critical component is any component of a life support device or system whose failure to perform can be reasonably expected to cause the failure of the life support device or system, or to affect its safety or effectiveness.



National Semiconductor
Americas Customer Support Center
 Email: new.feedback@nsc.com
 Tel: 1-800-272-9959

National Semiconductor
Europe Customer Support Center
 Fax: +49 (0) 180-530 85 86
 Email: europe.support@nsc.com
 Deutsch Tel: +49 (0) 69 9508 6208
 English Tel: +44 (0) 870 24 0 2171
 Français Tel: +33 (0) 1 41 91 8790

National Semiconductor
Asia Pacific Customer Support Center
 Fax: +65-6250 4466
 Email: ap.support@nsc.com
 Tel: +65-6254 4466

National Semiconductor
Japan Customer Support Center
 Fax: 81-3-5639-7507
 Email: jpn.feedback@nsc.com
 Tel: 81-3-5639-7560

www.national.com