

# LM2711

## Step-up PWM DC/DC Converter Integrated with 4 Buffers

### General Description

The LM2711 is a compact bias solution for TFT displays. It has a current mode PWM step-up DC/DC converter with a 1.4A, 0.17Ω internal switch. Capable of generating 8V at 300mA from a Lithium Ion battery, the LM2711 is ideal for generating bias voltages for large screen LCD panels. The LM2711 can be operated at switching frequencies of 600kHz or 1.25MHz, allowing for easy filtering and low noise. An external compensation pin gives the user flexibility in setting frequency compensation, which makes possible the use of small, low ESR ceramic capacitors at the output. The LM2711 uses a patented internal circuitry to limit startup inrush current of the boost switching regulator without the use of an external softstart capacitor. An external softstart pin enables the user to tailor the softstart to a specific application. The LM2711 contains 4 Gamma buffers capable of supplying 50mA source and sink. The TSSOP-20 package ensures a low profile overall solution.

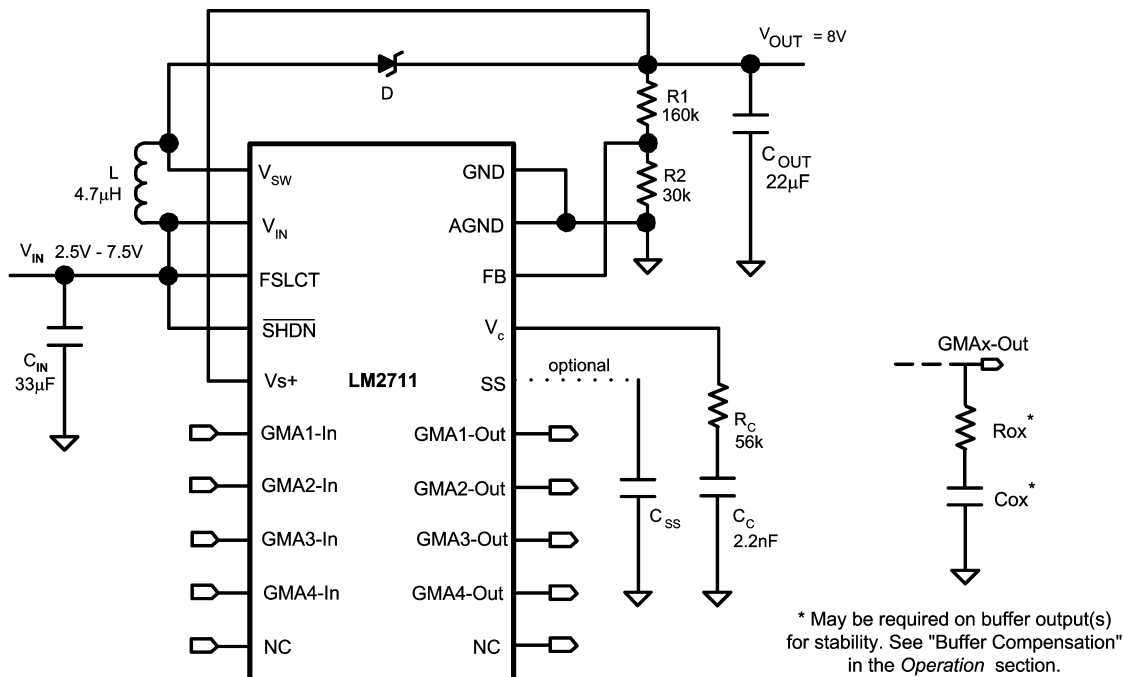
### Features

- 1.4A, 0.17Ω, internal power switch
- $V_{IN}$  operating range: 2.2V to 7.5V
- 600kHz/1.25MHz selectable frequency step-up DC/DC converter
- 20 pin TSSOP package
- Inrush current limiting circuitry
- External softstart override
- 4 Gamma buffers

### Applications

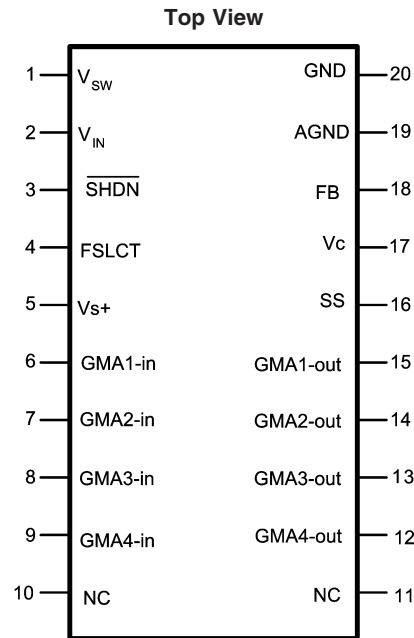
- LCD Bias Supplies
- Handheld Devices
- Portable Applications
- Cellular Phones/Digital Cameras

### Typical Application Circuit



20046831

## Connection Diagram



20046804

**TSSOP 20 package**  
 $T_{JMAX} = 125^{\circ}\text{C}$ ,  $\theta_{JA} = 120^{\circ}\text{C/W}$  (Note 1)

## Pin Description

Pin	Name	Function
1	$V_{sw}$	Power switch input.
2	$V_{in}$	Switching Regulator Power input.
3	$\overline{SHDN}$	Shutdown pin, active low.
4	FSLCT	Frequency Select pin. FSLCT = $V_{in}$ for 1.25 MHz, FSLCT = AGND or floating for 600kHz.
5	$V_{s+}$	Gamma Buffer input supply.
6	GMA1-in	Gamma Buffer input.
7	GMA2-in	Gamma Buffer input.
8	GMA3-in	Gamma Buffer input.
9	GMA4-in	Gamma Buffer input.
10	NC	No Connection, leave open.
11	NC	No Connection, leave open.
12	GMA4-out	Gamma Buffer output.
13	GMA3-out	Gamma Buffer output.
14	GMA2-out	Gamma Buffer output.
15	GMA1-out	Gamma Buffer output.
16	SS	Soft start pin.
17	$V_c$	Boost Compensation Network Connection.
18	FB	Output Voltage Feedback input.
19	AGND	Gamma Buffer ground, Analog ground connection for Regulator.
20	GND	Switch Power Ground.

## Pin Functions

**V<sub>SW</sub>(Pin 1):** This is the drain of the internal NMOS power switch. Minimize the metal trace area connected to this pin to minimize EMI.

**V<sub>IN</sub>(Pin 2):** Input Supply Pin. Bypass this pin with a capacitor as close to the device as possible. The capacitor should connect between V<sub>IN</sub> and GND.

**SHDN(Pin 3):** Shutdown Pin. The shutdown pin signal is active low. A voltage of less than 0.3V disables the device. A voltage greater than 0.85V enables the device.

**FSLCT(Pin 4):** Frequency Select Pin. Connecting FSLCT to AGND selects a 600 kHz operating frequency for the switching regulator. Connecting FSLCT to V<sub>IN</sub> selects a 1.25 MHz operating frequency. If FSLCT is left floating, the switching frequency defaults to 600 kHz.

**Vs+(Pin 5):** Supply pin for the four Gamma buffers. Bypass this pin with a capacitor as close to the device as possible. The capacitor should connect between Vs+ and GND.

**GMA1-in(Pin 6):**Gamma Buffer input pin.

**GMA2-in(Pin 7):** Gamma Buffer input pin.

**GMA3-in(Pin 8):** Gamma Buffer input pin.

**GMA4-in(Pin 9):** Gamma Buffer input pin.

**NC(Pin 10):**No Connection.

**NC(Pin 11):** No Connection.

**GMA4-out(Pin 12):** Gamma Buffer output pin.

**GMA3-out(Pin13):** Gamma Buffer output pin.

**GMA2-out(Pin 14):** Gamma Buffer output pin.

**GMA1-out(Pin 15):** Gamma Buffer output pin.

**SS(Pin 16):** Softstart pin. Connect capacitor to SS pin and AGND to slowly ramp inductor current on startup.

**V<sub>C</sub>(Pin 17):** Compensation Network for Boost switching regulator. Connect resistor/capacitor network between V<sub>C</sub> pin and AGND for boost switching regulator AC compensation.

**FB(Pin 18):** Feedback pin. Set the output voltage by selecting values of R1 and R2 using:

$$R1 = R2 \left( \frac{V_{OUT}}{1.265V} - 1 \right)$$

Connect the ground of the feedback network to the AGND plane, which can be tied directly to the GND pin.

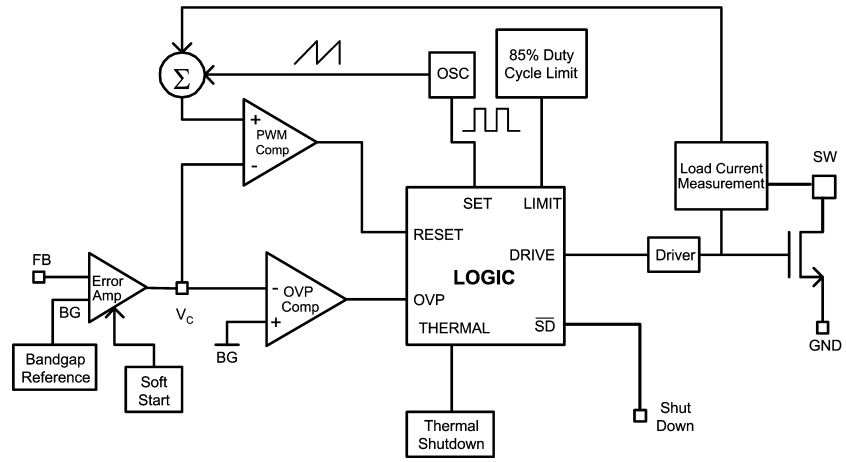
**AGND(Pin 19):** Analog ground pin. Ground connection for the Gamma buffers and the boost switching regulator. AGND must be tied directly to GND at the pins.

**GND(Pin 20):** Power ground pin. Ground connection for the NMOS power device of the boost switching regulator. GND must be tied directly to AGND at the pins.

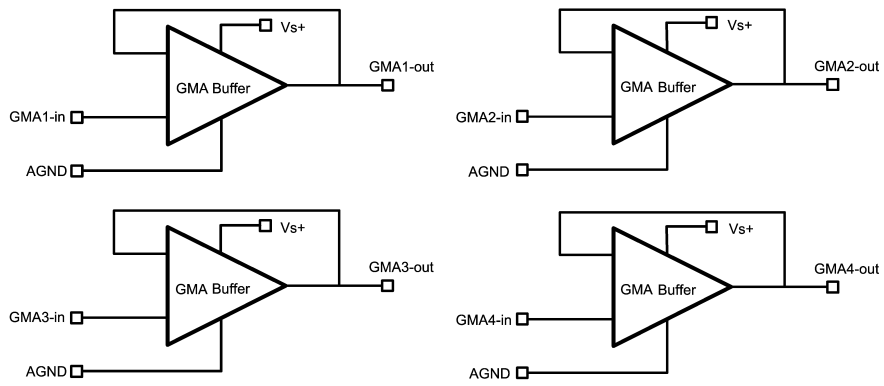
## Ordering Information

Order Number	Package Type	NSC Package Drawing	Supplied As
LM2711MT-ADJ	TSSOP-20	MTC20	73 Units, Rail
LM2711MTX-ADJ	TSSOP-20	MTC20	2500 Units, Tape and Reel

# Block Diagrams



20046803



20046851

**Absolute Maximum Ratings** (Note 2)

If Military/Aerospace specified devices are required, please contact the National Semiconductor Sales Office/Distributors for availability and specifications.

$V_{IN}$	-0.3V to 7.5V
$V_{SW}$ Voltage	-0.3V to 18V
FB Voltage	-0.3V to 7V
$V_C$ Voltage	0.965V to 1.565V
$\overline{SHDN}$ Voltage	-0.3V to $V_{IN}$
FSLCT Voltage	AGND to $V_{IN}$
Supply Voltage, $V_{S+}$	-0.3V to 12V
Buffer Input Voltage	Rail-to-Rail
Buffer Output Voltage	Rail-to-Rail

## ESD Ratings

(Note 3)

Human Body Model	2kV
Machine Model	200V

**Operating Conditions**

Operating Temperature	-40°C to +125°C
Storage Temperature	-65°C to +150°C
Supply Voltage, $V_{IN}$	2.2V to 7.5V
$V_{SW}$ Voltage	17V
Supply Gamma Buffer, $V_{S+}$	4V to 12V

**Electrical Characteristics**

Specifications in standard type face are for  $T_J = 25^\circ\text{C}$  and those with **boldface type** apply over the full **Operating Temperature Range** ( $T_J = -40^\circ\text{C}$  to  $+125^\circ\text{C}$ ). Unless otherwise specified,  $V_{IN} = 2.2\text{V}$  and  $V_{S+} = 8\text{V}$ ,  $R_{OX} = 50\Omega$ ,  $C_{OX} = 1\text{nF}$ .

**Switching Regulator**

Symbol	Parameter	Conditions	Min (Note 4)	Typ (Note 5)	Max (Note 4)	Units
$I_Q$	Quiescent Current	Not Switching, FSLCT = 0V		1.6	<b>2</b>	mA
		Not Switching, FSLCT = $V_{IN}$		1.65	<b>2.2</b>	
		Switching, FSLCT = 0V		2.5	<b>3</b>	
		Switching, FSLCT = $V_{IN}$		3.4	<b>4</b>	
		Shutdown mode			6	<b>15</b>
$V_{FB}$	Feedback Voltage		<b>1.239</b>	1.265	<b>1.291</b>	V
$\%V_{FB}/\Delta V_{IN}$	Feedback Voltage Line Regulation			0.03	<b>0.05</b>	%/V
$I_{CL}$	Switch Current Limit (Note 6)	$V_{IN} = 2.5\text{V}$ , $V_{OUT} = 8\text{V}$		1.4		A
$R_{DSON}$	Switch $R_{DSON}$ (Note 7)	$V_{IN} = 2.7\text{V}$		170		$\text{m}\Omega$
$I_B$	FB Pin Bias Current (Note 8)			30	<b>90</b>	nA
$V_{IN}$	Input Voltage Range		<b>2.2</b>		<b>7.5</b>	V
$I_{SS}$	Soft Start Current		<b>5</b>	11	<b>15</b>	$\mu\text{A}$
$T_{SS}$	Internal Soft Start Ramp Time	FSLCT = 0V		6.7	<b>10</b>	mS
$g_m$	Error Amp Transconductance	$\Delta I = 5\mu\text{A}$	<b>60</b>	135	<b>250</b>	$\mu\text{mho}$
$A_V$	Error Amp Voltage Gain			135		V/V
$D_{MAX}$	Maximum Duty Cycle		<b>78</b>	85		%
$f_S$	Switching Frequency	FSLCT = 0V	<b>500</b>	600	<b>700</b>	kHz
		FSLCT = $V_{IN}$	<b>0.9</b>	1.25	<b>1.5</b>	MHz
$I_L$	Switch Leakage Current	$V_{SW} = 17\text{V}$		0.185	<b>20</b>	$\mu\text{A}$
$\overline{SHDN}$	$\overline{SHDN}$ Threshold	Output High	<b>0.85</b>	0.6		V
		Output Low		0.6	<b>0.3</b>	V
$I_{\overline{SHDN}}$	Shutdown Pin Current	$0\text{V} \leq \overline{SHDN} \leq V_{IN}$		0.5	<b>1</b>	$\mu\text{A}$
UVP	On Threshold		<b>1.8</b>	1.9	<b>2</b>	V
	Off Threshold		<b>1.7</b>	1.8	<b>1.9</b>	V
	Hysteresis			100		mV

## Electrical Characteristics

Specifications in standard type face are for  $T_J = 25^\circ\text{C}$  and those with **boldface type** apply over the full **Operating Temperature Range** ( $T_J = -40^\circ\text{C}$  to  $+125^\circ\text{C}$ ). Unless otherwise specified,  $V_{IN} = 2.2\text{V}$  and  $V_{S+} = 8\text{V}$ ,  $R_{OX} = 50\Omega$ ,  $C_{OX} = 1\text{nF}$ .

### BUFFERS

Symbol	Parameter	Conditions	Min (Note 4)	Typ (Note 5)	Max (Note 4)	Units
$V_{OS}$	Input offset voltage			2.5	10	mV
$\Delta V_{OS}/\Delta T$	Offset Voltage Drift			8		$\mu\text{V}/^\circ\text{C}$
$I_B$	Input Bias Current			170	<b>800</b>	nA
CMVR	Input Common-mode Voltage Range		0.05		$V_{S+}-0.05$	V
$Z_{IN}$	Input Impedance			400		k $\Omega$
$C_{IN}$	Input Capacitance			1		pF
$I_{OUT}$	Continuous Output Current	$V_{S+}=8\text{V}$ , Source	<b>41</b>	59	<b>71</b>	mA
		$V_{S+}=8\text{V}$ , Sink	<b>-65</b>	-53	<b>-36</b>	
		$V_{S+}=12\text{V}$ , Source	<b>50</b>	71	<b>85</b>	
		$V_{S+}=12\text{V}$ , Sink	<b>-75</b>	-61	<b>-42</b>	
$V_{OUT}$ Swing		$R_L=10\text{k}$ , $V_o$ min.			<b>0.075</b>	V
		$R_L=10\text{k}$ , $V_o$ max.	<b>7.88</b>			
		$R_L=2\text{k}$ , $V_o$ min.			<b>0.075</b>	
		$R_L=2\text{k}$ , $V_o$ max.	<b>7.865</b>			
$A_{VCL}$	Voltage Gain	$R_L = 2\text{ k}\Omega$	<b>0.995</b>	0.998		V/V
		$R_L = 10\text{ k}\Omega$	<b>0.9985</b>	0.9999		
NL	Gain Linearity	$R_L = 2\text{ k}\Omega$ , Buffer input=0.5 to ( $V_{S+}-0.5\text{V}$ )		0.01		%
$V_{S+}$	Supply Voltage		<b>4</b>		<b>12</b>	V
PSRR	Power Supply Rejection Ratio	$V_{S+} = 4$ to $12\text{V}$		90	<b>316</b>	$\mu\text{V}/\text{V}$
$I_{S+}$	Supply Current/Amplifier	$V_o = V_{S+}/2$ , No Load		1	<b>2</b>	mA
SR	Slew Rate			10		V/ $\mu\text{s}$
BW	Bandwidth	-3dB, $R_L = 10\text{ k}\Omega$ , $C_L = 10\text{pf}$		6		MHz
$\phi_0$	Phase Margin			50		Deg $^\circ$

**Note 1:** The maximum allowable power dissipation is a function of the maximum junction temperature,  $T_J(\text{MAX})$ , the junction-to-ambient thermal resistance,  $\theta_{JA}$ , and the ambient temperature,  $T_A$ . See the Electrical Characteristics table for the thermal resistance of various layouts. The maximum allowable power dissipation at any ambient temperature is calculated using:  $P_D(\text{MAX}) = (T_J(\text{MAX}) - T_A)/\theta_{JA}$ . Exceeding the maximum allowable power dissipation will cause excessive die temperature, and the regulator will go into thermal shutdown.

**Note 2:** Absolute maximum ratings are limits beyond which damage to the device may occur. Operating Ratings are conditions for which the device is intended to be functional, but device parameter specifications may not be guaranteed. For guaranteed specifications and test conditions, see the Electrical Characteristics.

**Note 3:** The human body model is a 100 pF capacitor discharged through a 1.5k $\Omega$  resistor into each pin. The machine model is a 200pF capacitor discharged directly into each pin.

**Note 4:** All limits guaranteed at room temperature (standard typeface) and at temperature extremes (bold typeface). All room temperature limits are 100% production tested or guaranteed through statistical analysis. All limits at temperature extremes are guaranteed via correlation using standard Statistical Quality Control (SQC) methods. All limits are used to calculate Average Outgoing Quality Level (AOQL).

**Note 5:** Typical numbers are at  $25^\circ\text{C}$  and represent the most likely norm.

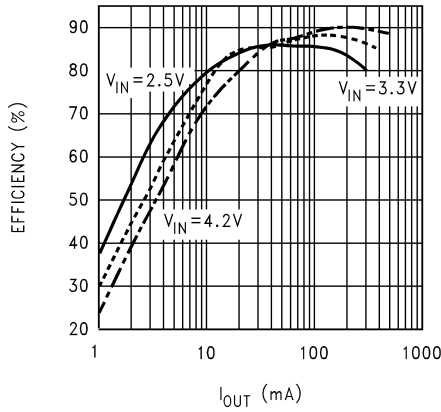
**Note 6:** Duty cycle affects current limit due to ramp generator. See Switch Current Limit vs.  $V_{IN}$  and Switch Current Limit vs. Temperature graphs in the *Typical Performance Characteristics* section.

**Note 7:** See *Typical Performance Characteristics* section for Tri-Temperature data for  $R_{DS(ON)}$  vs.  $V_{IN}$ .

**Note 8:** Bias current flows into FB pin.

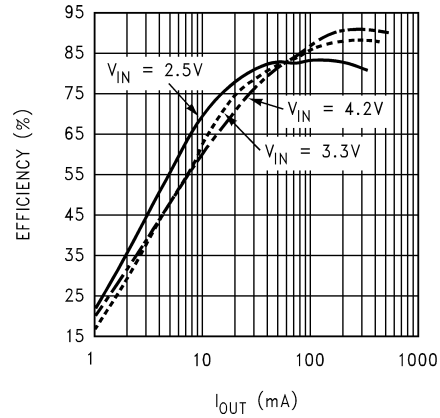
# Typical Performance Characteristics

**Efficiency vs. Load Current**  
( $V_{OUT} = 8V$ ,  $f_S = 600\text{ kHz}$ )



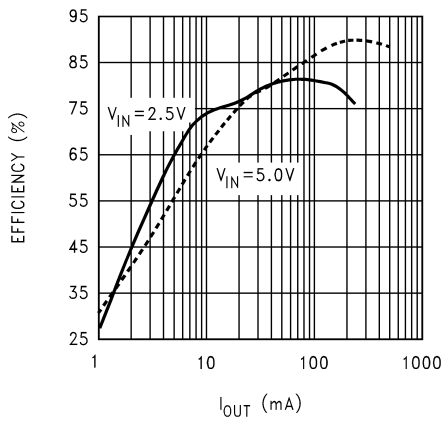
20046826

**Efficiency vs. Load Current**  
( $V_{OUT} = 8V$ ,  $f_S = 1.25\text{ MHz}$ )



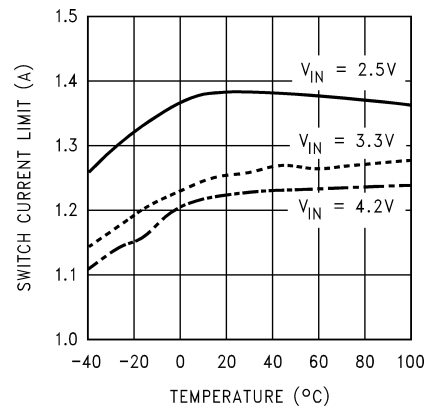
20046825

**Efficiency vs. Load Current**  
( $V_{OUT} = 10V$ ,  $f_S = 1.25\text{ MHz}$ )



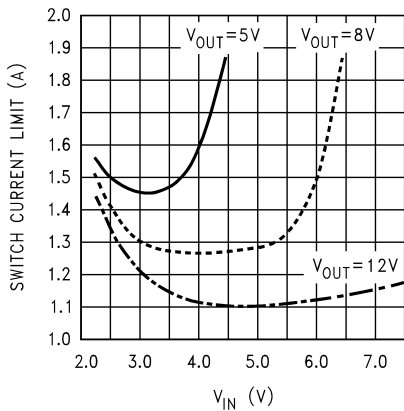
20046860

**Switch Current Limit vs. Temperature**  
( $V_{OUT} = 8V$ )



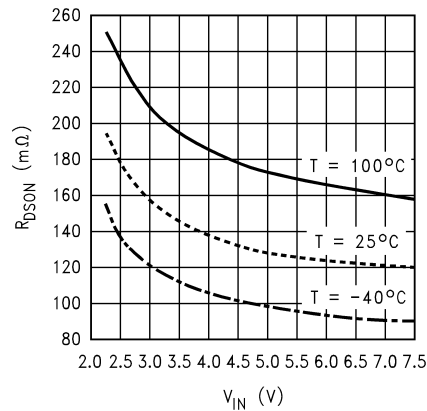
20046820

**Switch Current Limit vs.  $V_{IN}$**



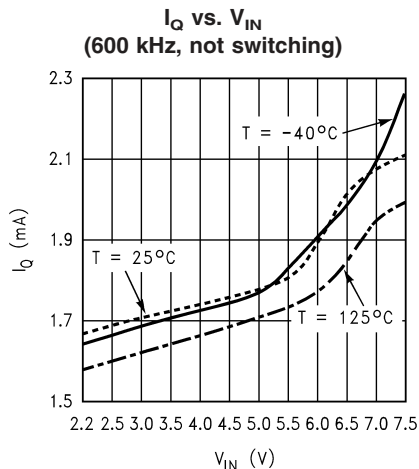
20046822

**$R_{DS(on)}$  vs.  $V_{IN}$**   
( $I_{SW} = 1A$ )

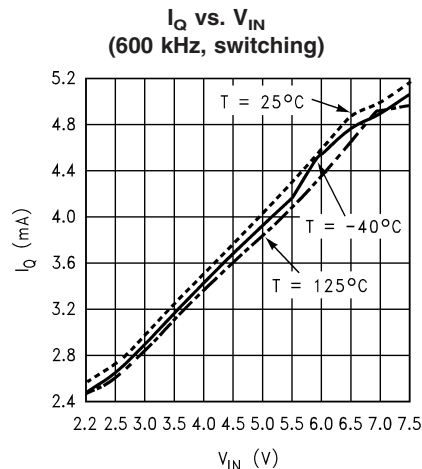


20046827

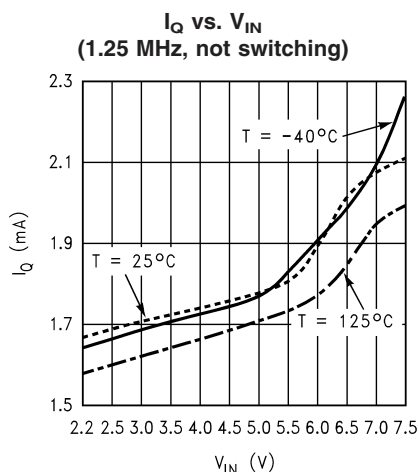
Typical Performance Characteristics (Continued)



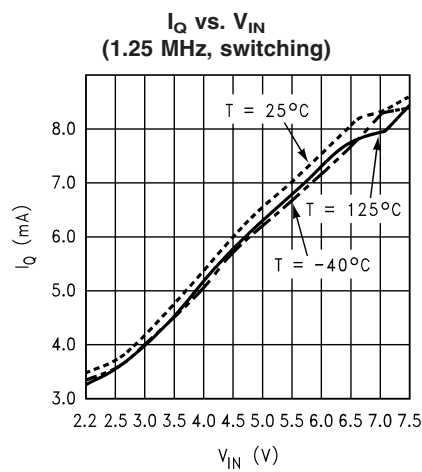
20046821



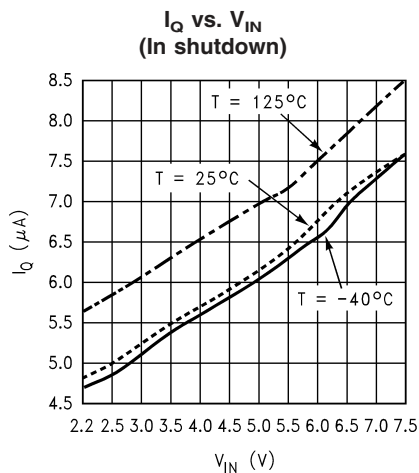
20046829



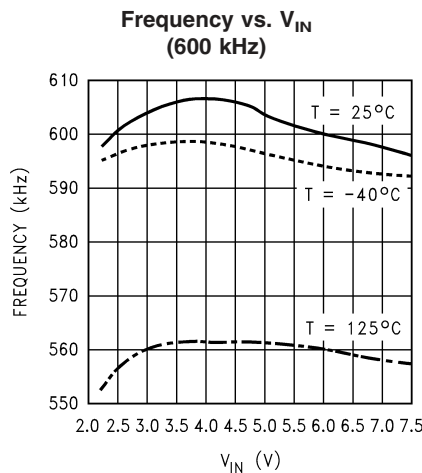
20046821



20046819



20046818

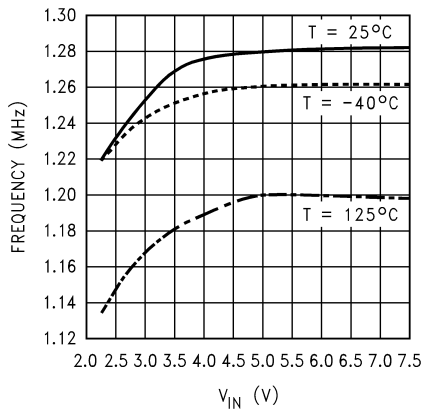


20046823



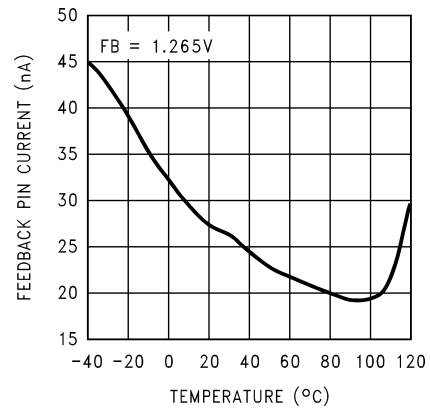
# Typical Performance Characteristics (Continued)

**Frequency vs.  $V_{IN}$   
(1.25 MHz)**



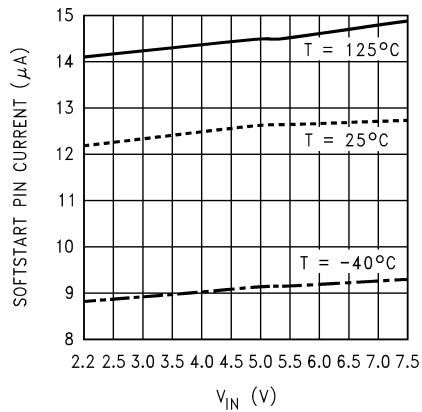
20046824

**Feedback Pin Current vs. Temperature**



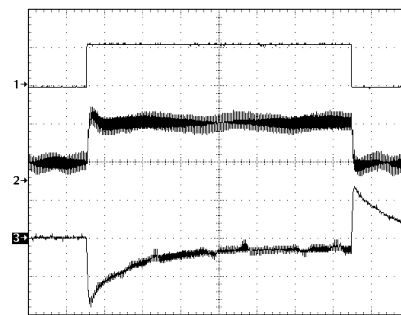
20046857

**$C_{SS}$  Pin Current vs.  $V_{IN}$**



20046858

**Load Transient Response**

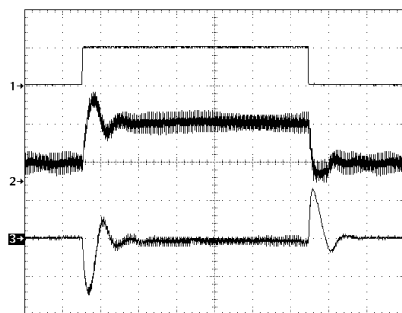


20046876

$V_{OUT} = 8V$ ,  $V_{IN} = 3V$ ,  $F = 1.25\text{MHz}$

- 1) Load, 80mA to 260mA to 80mA
  - 2)  $I_L$ , 500mA/div, DC
  - 3)  $V_{OUT}$ , 100mV/div, AC
- $T = 100\mu\text{s/div}$

**Load Transient Response**

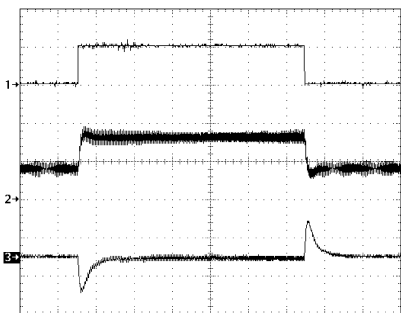


20046883

$V_{OUT} = 8V$ ,  $V_{IN} = 3V$ ,  $F = 600\text{kHz}$

- 1) Load, 80mA to 260mA to 80mA
  - 2)  $I_L$ , 500mA/div, DC
  - 3)  $V_{OUT}$ , 200mV/div, AC
- $T = 100\mu\text{s/div}$

**Load Transient Response**



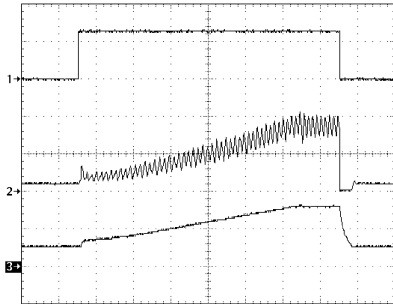
20046875

$V_{OUT} = 10V$ ,  $V_{IN} = 5V$ ,  $F = 1.25\text{MHz}$

- 1) Load, 195mA to 385mA to 195mA
  - 2)  $I_L$ , 500mA/div, DC
  - 3)  $V_{OUT}$ , 500mV/div, AC
- $T = 100\mu\text{s/div}$

Typical Performance Characteristics (Continued)

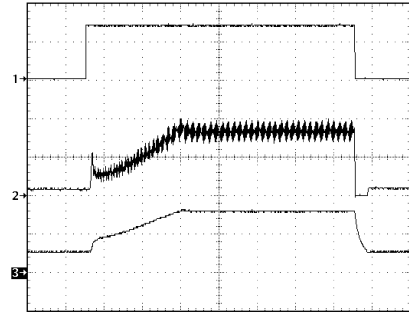
Internal Soft Start



20046879

$V_{OUT} = 8V$ ,  $V_{IN} = 3V$ ,  $R_{LOAD} = 27\Omega$ ,  $C_{SS} = \text{none}$ ,  $F = 600\text{kHz}$   
 1) SHDN, 1V/div, DC  
 2)  $I_L$ , 500mA/div, DC  
 3)  $V_{OUT}$ , 5V/div, DC  
 T = 1ms/div

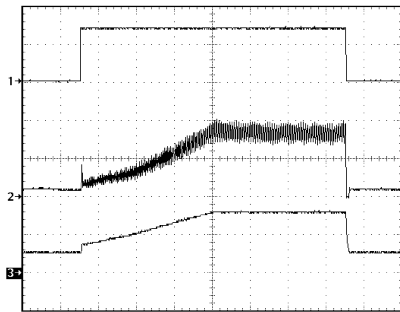
Internal Soft Start



20046877

$V_{OUT} = 8V$ ,  $V_{IN} = 3V$ ,  $R_{LOAD} = 27\Omega$ ,  $C_{SS} = \text{none}$ ,  $F = 1.25\text{MHz}$   
 1) SHDN, 1V/div, DC  
 2)  $I_L$ , 500mA/div, DC  
 3)  $V_{OUT}$ , 5V/div, DC  
 T = 1ms/div

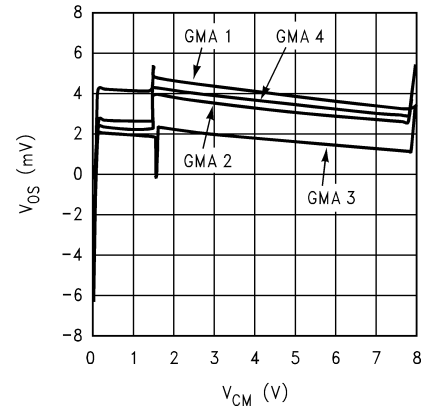
External Soft Start



20046878

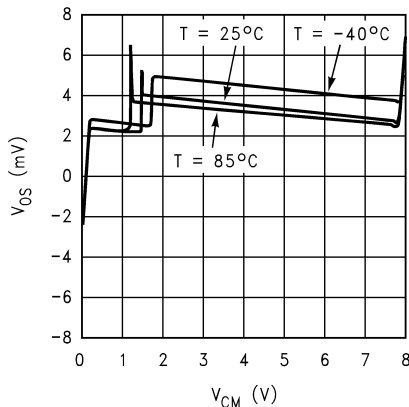
$V_{OUT} = 8V$ ,  $V_{IN} = 3V$ ,  $R_{LOAD} = 27\Omega$ ,  $C_{SS} = 330\text{nF}$ ,  $F = 1.25\text{MHz}$   
 1) SHDN, 1V/div, DC  
 2)  $I_L$ , 500mA/div, DC  
 3)  $V_{OUT}$ , 5V/div, DC  
 T = 4ms/div

Input Offset Voltage vs. Common Mode Voltage (3 units)



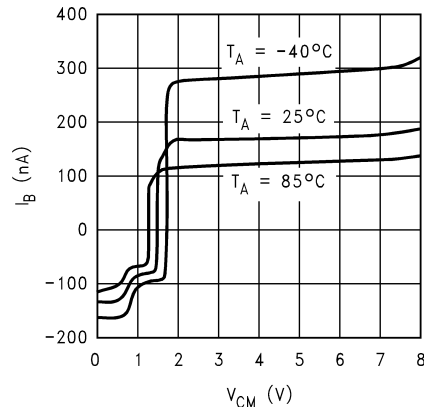
20046861

Input Offset Voltage vs. Common Mode Voltage (Over Temperature)



20046862

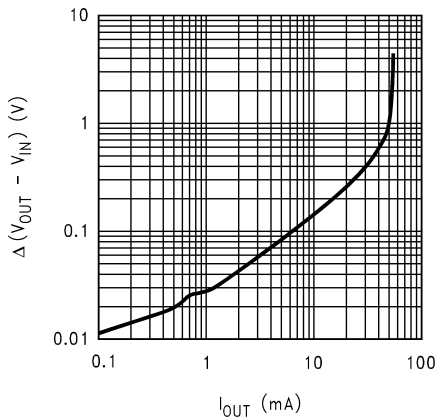
Input Bias Current vs. Common Mode Voltage



20046863

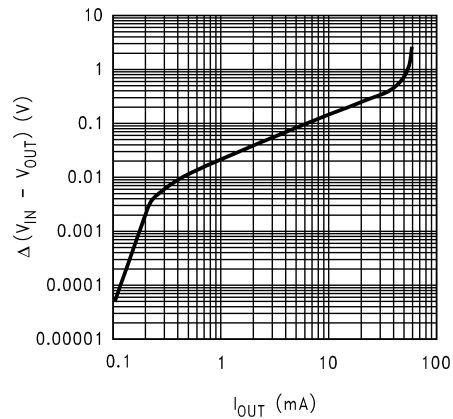
# Typical Performance Characteristics (Continued)

**Output Voltage vs. Output Current (sinking)**



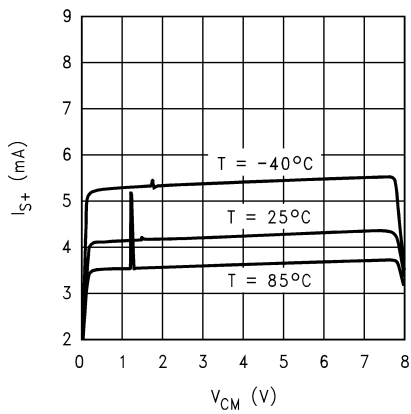
20046864

**Output Voltage vs. Output Current (sourcing)**



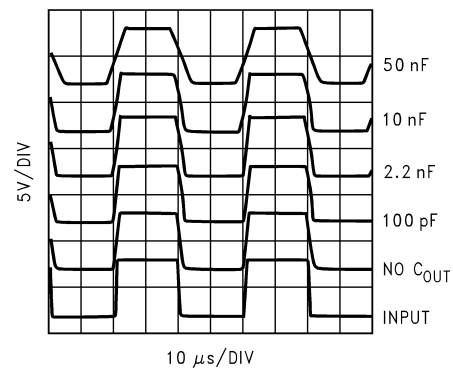
20046865

**Supply Current vs. Common Mode Voltage**



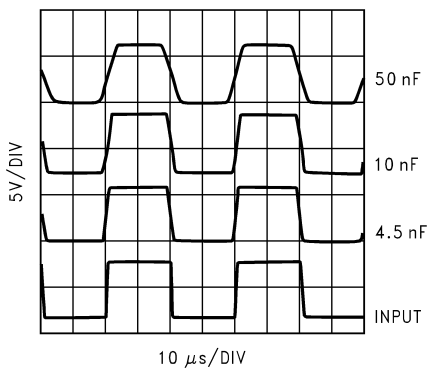
20046866

**Large Signal Step Response (50Ω, 1nF ext. compensation)**



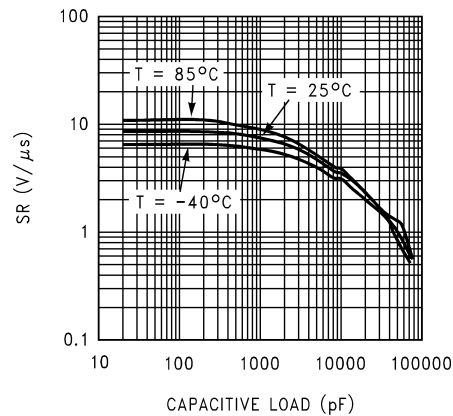
20046867

**Large Signal Step Response (no ext. compensation)**



20046868

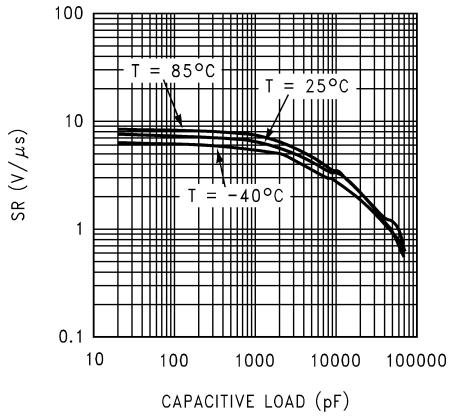
**Positive Slew Rate vs. Capacitive Load**



20046869

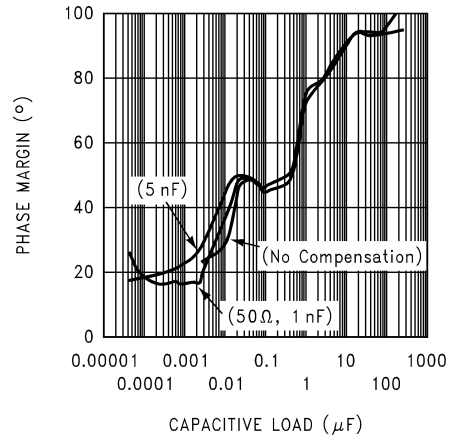
# Typical Performance Characteristics (Continued)

**Negative Slew Rate vs. Capacitive Load**



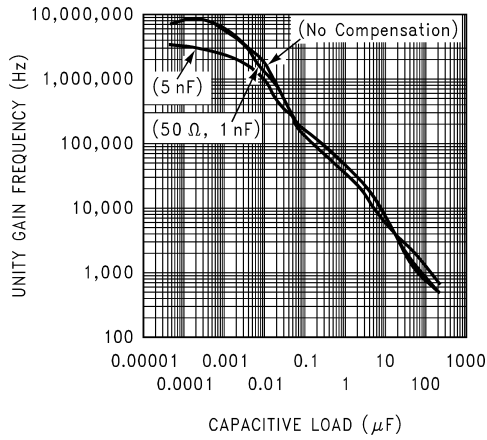
20046870

**Phase Margin vs. Capacitive Load**



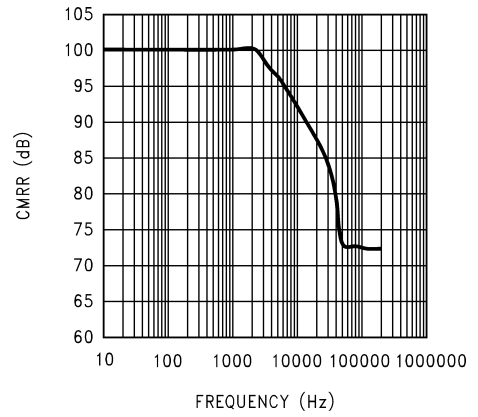
20046871

**Unity Gain Frequency vs. Capacitive Load**



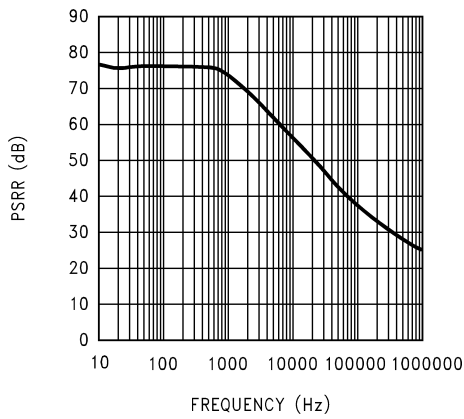
20046872

**CMRR vs. Frequency**



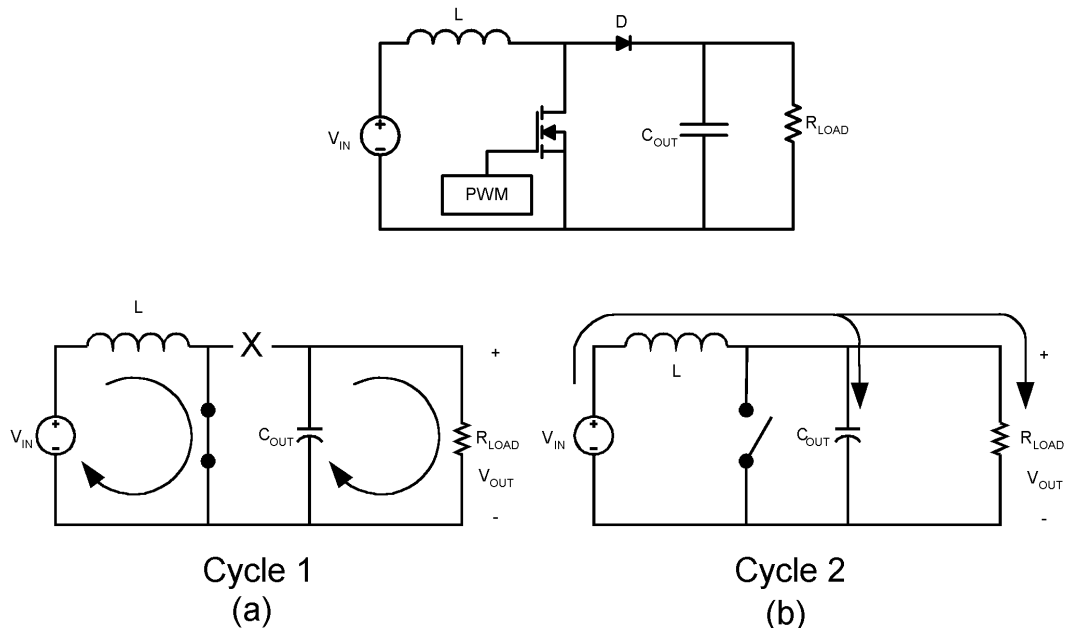
20046873

**PSRR vs. Frequency**



20046874

## Operation



**FIGURE 1. Simplified Boost Converter Diagram**  
(a) First Cycle of Operation (b) Second Cycle Of Operation

20046802

### CONTINUOUS CONDUCTION MODE

The LM2711 is a current-mode, PWM boost regulator. A boost regulator steps the input voltage up to a higher output voltage. In continuous conduction mode (when the inductor current never reaches zero at steady state), the boost regulator operates in two cycles.

In the first cycle of operation, shown in *Figure 1 (a)*, the transistor is closed and the diode is reverse biased. Energy is collected in the inductor and the load current is supplied by  $C_{OUT}$ .

The second cycle is shown in *Figure 1 (b)*. During this cycle, the transistor is open and the diode is forward biased. The energy stored in the inductor is transferred to the load and output capacitor.

The ratio of these two cycles determines the output voltage. The output voltage is defined approximately as:

$$V_{OUT} = \frac{V_{IN}}{1-D}, D' = (1-D) = \frac{V_{IN}}{V_{OUT}}$$

where  $D$  is the duty cycle of the switch,  $D$  and  $D'$  will be required for design calculations

### SETTING THE OUTPUT VOLTAGE

The output voltage is set using the feedback pin and a resistor divider connected to the output as shown in the typical operating circuit. The feedback pin voltage is 1.265V, so the ratio of the feedback resistors sets the output voltage according to the following equation:

$$R1 = R2 \left( \frac{V_{OUT}}{1.265V} - 1 \right)$$

### SOFT-START CAPACITOR

The LM2711 has patented internal circuitry that is used to limit the inductor inrush current on start-up. This inrush current limiting circuitry serves as a soft-start. However, many applications may require much more soft-start than what is available with the internal circuitry. The external SS pin is used to tailor the soft-start for a specific application. A 11 $\mu$ A current charges the external soft-start capacitor,  $C_{SS}$ . The soft-start time can be estimated as:

$$T_{SS} = C_{SS} * 0.6V / 11\mu A$$

The minimum soft-start time is set by the internal soft-start circuitry, typically 7ms for 600kHz operation and approximately half that for 1.25MHz operation. Only longer soft-start times may be implemented using the SS pin and a capacitor  $C_{SS}$ . If a shorter time is designed for using the above equation, the internal soft-start circuitry will override it.

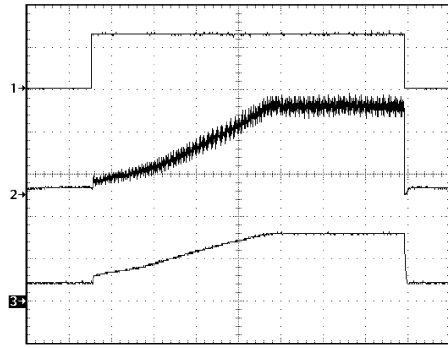
Due to the unique nature of the dual internal/external soft-start, care was taken in the design to ensure temperature stable operation. As you can see with the  $I_{SS}$  data in the Electrical Characteristics table and the graph "Soft-Start Current vs.  $V_{IN}$ " in the *Typical Performance Characteristics* section, the soft start current has a temperature coefficient and would lead one to believe there would be significant variation with temperature. Though the current has a temperature coefficient the actual programmed external soft start time does not show this extreme of a temperature variation. As you can see in the following transient plots:

## Operation (Continued)

$V_{OUT} = 8V$ ,  $V_{IN} = 2.5V$ ,  $R_L = 27\Omega$ ,  $C_{SS} = 330nF$ ,  $T = 4ms/div$ ,  
 $F = 1.25MHz$ .

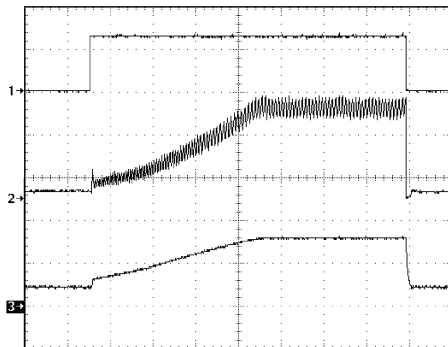
Trace:

- 1) SHDN, 1V/div, DC Coupled
- 2)  $I_L$ , 0.5A/div, DC Coupled
- 3)  $V_{OUT}$ , 5V/div, DC Coupled



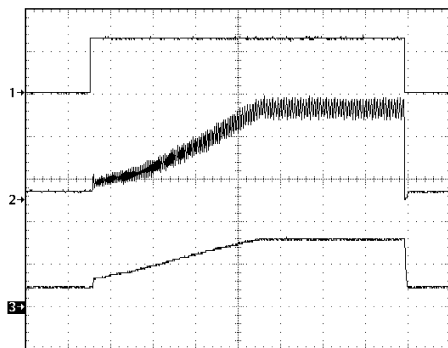
$T_A = -20^\circ C$

20046880



$T_A = 27^\circ C$

20046881



$T_A = 85^\circ C$

20046882

When programming the softstart time externally, simply use the equation given in the *Soft-Start Capacitor* section above. This equation uses the typical room temperature value of the soft start current,  $11\mu A$ , to set the soft start time.

## INTRODUCTION TO COMPENSATION

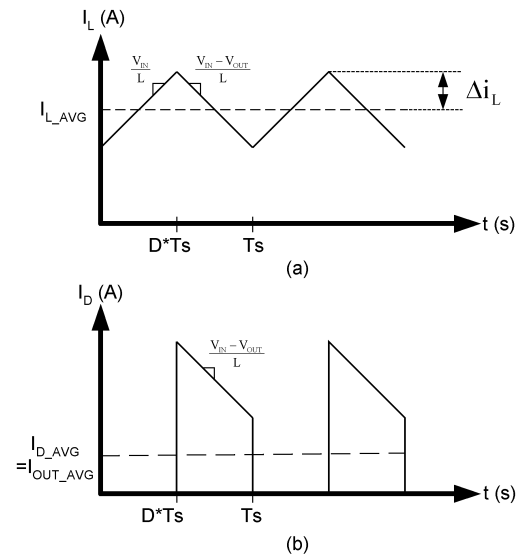


FIGURE 2. (a) Inductor current. (b) Diode current.

The LM2711 is a current mode PWM boost converter. The signal flow of this control scheme has two feedback loops, one that senses switch current and one that senses output voltage.

To keep a current programmed control converter stable above duty cycles of 50%, the inductor must meet certain criteria. The inductor, along with input and output voltage, will determine the slope of the current through the inductor (see Figure 2 (a)). If the slope of the inductor current is too great, the circuit will be unstable above duty cycles of 50%. A  $10\mu H$  inductor is recommended for most 600 kHz applications, while a  $4.7\mu H$  inductor may be used for most 1.25 MHz applications. If the duty cycle is approaching the maximum of 85%, it may be necessary to increase the inductance by as much as 2X. See *Inductor and Diode Selection* for more detailed inductor sizing.

The LM2711 provides a compensation pin ( $V_C$ ) to customize the voltage loop feedback. It is recommended that a series combination of  $R_C$  and  $C_C$  be used for the compensation network, as shown in the typical application circuit. For any given application, there exists a unique combination of  $R_C$  and  $C_C$  that will optimize the performance of the LM2711 circuit in terms of its transient response. The series combination of  $R_C$  and  $C_C$  introduces a pole-zero pair according to the following equations:

$$f_{zc} = \frac{1}{2\pi R_C C_C} \text{ Hz}$$

$$f_{pc} = \frac{1}{2\pi (R_C + R_O) C_C} \text{ Hz}$$

where  $R_O$  is the output impedance of the error amplifier, approximately  $1M\Omega$ . For most applications, performance can be optimized by choosing values within the range  $5k\Omega \leq R_C \leq 60k\Omega$  ( $R_C$  can be up to  $200k\Omega$  if  $C_{C2}$  is used, see *High Output Capacitor ESR Compensation*) and  $680pF \leq C_C \leq$

## Operation (Continued)

4.7nF. Refer to the *Applications Information* section for recommended values for specific circuits and conditions. Refer to the *Compensation* section for other design requirement.

### COMPENSATION FOR BOOST DC/DC

This section will present a general design procedure to help insure a stable and operational circuit. The designs in this datasheet are optimized for particular requirements. If different conversions are required, some of the components may need to be changed to ensure stability. Below is a set of general guidelines in designing a stable circuit for continuous conduction operation, in most all cases this will provide for stability during discontinuous operation as well. The power components and their effects will be determined first, then the compensation components will be chosen to produce stability.

### INDUCTOR AND DIODE SELECTION

Although the inductor sizes mentioned earlier are fine for most applications, a more exact value can be calculated. To ensure stability at duty cycles above 50%, the inductor must have some minimum value determined by the minimum input voltage and the maximum output voltage. This equation is:

$$L > \frac{V_{IN} R_{DSON}}{0.144 f_s} \left[ \frac{\left(\frac{D}{D'}\right)^2 - 1}{\left(\frac{D}{D'}\right) + 1} \right] \text{ (in H)}$$

where  $f_s$  is the switching frequency,  $D$  is the duty cycle, and  $R_{DSON}$  is the ON resistance of the internal switch taken from the graph " $R_{DSON}$  vs.  $V_{IN}$ " in the *Typical Performance Characteristics* section. This equation is only good for duty cycles greater than 50% ( $D > 0.5$ ), for duty cycles less than 50% the recommended values may be used. The corresponding inductor current ripple as shown in *Figure 2 (a)* is given by:

$$\Delta i_L = \frac{V_{IN} D}{2L f_s} \text{ (in Amps)}$$

The inductor ripple current is important for a few reasons. One reason is because the peak switch current will be the average inductor current (input current or  $I_{LOAD}/D'$ ) plus  $\Delta i_L$ . As a side note, discontinuous operation occurs when the inductor current falls to zero during a switching cycle, or  $\Delta i_L$  is greater than the average inductor current. Therefore, continuous conduction mode occurs when  $\Delta i_L$  is less than the average inductor current. Care must be taken to make sure that the switch will not reach its current limit during normal operation. The inductor must also be sized accordingly. It should have a saturation current rating higher than the peak inductor current expected. The output voltage ripple is also affected by the total ripple current.

The output diode for a boost regulator must be chosen correctly depending on the output voltage and the output current. The typical current waveform for the diode in continuous conduction mode is shown in *Figure 2 (b)*. The diode must be rated for a reverse voltage equal to or greater than the output voltage used. The average current rating must be greater than the maximum load current expected, and the peak current rating must be greater than the peak inductor current. During short circuit testing, or if short circuit condi-

tions are possible in the application, the diode current rating must exceed the switch current limit. Using Schottky diodes with lower forward voltage drop will decrease power dissipation and increase efficiency.

### DC GAIN AND OPEN-LOOP GAIN

Since the control stage of the converter forms a complete feedback loop with the power components, it forms a closed-loop system that must be stabilized to avoid positive feedback and instability. A value for open-loop DC gain will be required, from which you can calculate, or place, poles and zeros to determine the crossover frequency and the phase margin. A high phase margin (greater than 45°) is desired for the best stability and transient response. For the purpose of stabilizing the LM2711, choosing a crossover point well below where the right half plane zero is located will ensure sufficient phase margin. A discussion of the right half plane zero and checking the crossover using the DC gain will follow.

### INPUT AND OUTPUT CAPACITOR SELECTION

The switching action of a boost regulator causes a triangular voltage waveform at the input. A capacitor is required to reduce the input ripple and noise for proper operation of the regulator. The size used is dependant on the application and board layout. If the regulator will be loaded uniformly, with very little load changes, and at lower current outputs, the input capacitor size can often be reduced. The size can also be reduced if the input of the regulator is very close to the source output. The size will generally need to be larger for applications where the regulator is supplying nearly the maximum rated output or if large load steps are expected. A minimum value of 10 $\mu$ F should be used for the less stressful conditions while a 22 $\mu$ F to 47 $\mu$ F capacitor may be required for higher power and dynamic loads. Larger values and/or lower ESR may be needed if the application requires very low ripple on the input source voltage.

The choice of output capacitors is also somewhat arbitrary and depends on the design requirements for output voltage ripple. It is recommended that low ESR (Equivalent Series Resistance, denoted  $R_{ESR}$ ) capacitors be used such as ceramic, polymer electrolytic, or low ESR tantalum. Higher ESR capacitors may be used but will require more compensation which will be explained later on in the section. The ESR is also important because it determines the peak to peak output voltage ripple according to the approximate equation:

$$\Delta V_{OUT} \approx 2\Delta i_L R_{ESR} \text{ (in Volts)}$$

A minimum value of 10 $\mu$ F is recommended and may be increased to a larger value. After choosing the output capacitor you can determine a pole-zero pair introduced into the control loop by the following equations:

$$f_{p1} = \frac{1}{2\pi(R_{ESR} + R_L)C_{OUT}} \text{ (in Hz)}$$

$$f_{z1} = \frac{1}{2\pi R_{ESR} C_{OUT}} \text{ (in Hz)}$$

Where  $R_L$  is the minimum load resistance corresponding to the maximum load current. The zero created by the ESR of the output capacitor is generally very high frequency if the ESR is small. If low ESR capacitors are used it can be neglected. If higher ESR capacitors are used see the *High Output Capacitor ESR Compensation* section.

## Operation (Continued)

### RIGHT HALF PLANE ZERO

A current mode control boost regulator has an inherent right half plane zero (RHP zero). This zero has the effect of a zero in the gain plot, causing an imposed +20dB/decade on the rolloff, but has the effect of a pole in the phase, subtracting another 90° in the phase plot. This can cause undesirable effects if the control loop is influenced by this zero. To ensure the RHP zero does not cause instability issues, the control loop should be designed to have a bandwidth of less than ½ the frequency of the RHP zero. This zero occurs at a frequency of:

$$\text{RHPzero} = \frac{V_{\text{OUT}}(D')^2}{2\pi I_{\text{LOAD}}L} \text{ (in Hz)}$$

where  $I_{\text{LOAD}}$  is the maximum load current.

### SELECTING THE COMPENSATION COMPONENTS

The first step in selecting the compensation components  $R_C$  and  $C_C$  is to set a dominant low frequency pole in the control loop. Simply choose values for  $R_C$  and  $C_C$  within the ranges given in the *Introduction to Compensation* section to set this pole in the area of 10Hz to 500Hz. The frequency of the pole created is determined by the equation:

$$f_{\text{PC}} = \frac{1}{2\pi(R_C + R_O)C_C} \text{ (in Hz)}$$

where  $R_O$  is the output impedance of the error amplifier, approximately 1MΩ. Since  $R_C$  is generally much less than  $R_O$ , it does not have much effect on the above equation and can be neglected until a value is chosen to set the zero  $f_{\text{ZC}}$ .  $f_{\text{ZC}}$  is created to cancel out the pole created by the output capacitor,  $f_{\text{P1}}$ . The output capacitor pole will shift with different load currents as shown by the equation, so setting the zero is not exact. Determine the range of  $f_{\text{P1}}$  over the expected loads and then set the zero  $f_{\text{ZC}}$  to a point approximately in the middle. The frequency of this zero is determined by:

$$f_{\text{ZC}} = \frac{1}{2\pi C_C R_C} \text{ (in Hz)}$$

Now  $R_C$  can be chosen with the selected value for  $C_C$ . Check to make sure that the pole  $f_{\text{PC}}$  is still in the 10Hz to 500Hz range, change each value slightly if needed to ensure both component values are in the recommended range. After checking the design at the end of this section, these values can be changed a little more to optimize performance if desired. This is best done in the lab on a bench, checking the load step response with different values until the ringing and overshoot on the output voltage at the edge of the load steps is minimal. This should produce a stable, high performance circuit. For improved transient response, higher values of  $R_C$  should be chosen. This will improve the overall bandwidth which makes the regulator respond more quickly to transients. If more detail is required, or the most optimal performance is desired, refer to a more in depth discussion of compensating current mode DC/DC switching regulators.

### HIGH OUTPUT CAPACITOR ESR COMPENSATION

When using an output capacitor with a high ESR value, or just to improve the overall phase margin of the control loop, another pole may be introduced to cancel the zero created by the ESR. This is accomplished by adding another capacitor,  $C_{C2}$ , directly from the compensation pin  $V_C$  to ground, in parallel with the series combination of  $R_C$  and  $C_C$ . The pole should be placed at the same frequency as  $f_{\text{Z1}}$ , the ESR zero. The equation for this pole follows:

$$f_{\text{PC2}} = \frac{1}{2\pi C_{C2}(R_C // R_O)} \text{ (in Hz)}$$

To ensure this equation is valid, and that  $C_{C2}$  can be used without negatively impacting the effects of  $R_C$  and  $C_C$ ,  $f_{\text{PC2}}$  must be greater than  $10f_{\text{ZC}}$ .

### CHECKING THE DESIGN

The final step is to check the design. This is to ensure a bandwidth of ½ or less of the frequency of the RHP zero. This is done by calculating the open-loop DC gain,  $A_{\text{DC}}$ . After this value is known, you can calculate the crossover visually by placing a -20dB/decade slope at each pole, and a +20dB/decade slope for each zero. The point at which the gain plot crosses unity gain, or 0dB, is the crossover frequency. If the crossover frequency is less than ½ the RHP zero, the phase margin should be high enough for stability. The phase margin can also be improved by adding  $C_{C2}$  as discussed earlier in the section. The equation for  $A_{\text{DC}}$  is given below with additional equations required for the calculation:

$$A_{\text{DC(DB)}} = 20 \log_{10} \left( \left( \frac{R_{\text{FB2}}}{R_{\text{FB1}} + R_{\text{FB2}}} \right) \frac{g_m R_O D'}{R_{\text{DSON}}} \left\{ \left( \omega C_{\text{Leff}} // R_L // R_L \right) \right\} \right) \text{ (in dB)}$$

$$\omega_C \cong \frac{2fs}{nD'} \text{ (in rad/s)}$$

$$\text{Leff} = \frac{L}{(D')^2}$$

$$n = 1 + \frac{2mc}{m1} \text{ (no unit)}$$

$$mc \cong 0.072fs \text{ (in V/s)}$$

$$m1 \cong \frac{V_{\text{IN}} R_{\text{DSON}}}{L} \text{ (in V/s)}$$

where  $R_L$  is the minimum load resistance,  $V_{\text{IN}}$  is the maximum input voltage,  $g_m$  is the error amplifier transconductance found in the *Electrical Characteristics* table, and  $R_{\text{DSON}}$  is the value chosen from the graph " $R_{\text{DSON}}$  vs.  $V_{\text{IN}}$ " in the *Typical Performance Characteristics* section.

### BUFFER (Vcom and GMAX) COMPENSATION

The architecture used for the buffers in the LM2711 requires external compensation on the output. Depending on the equivalent capacitive load of the TFT-LCD panel, external components at the buffer outputs may or may not be necessary. If the capacitance presented by the load is equal to or greater than 5nF no external components are needed as the TFT-LCD panel will act as compensation itself. Distributed resistive and capacitive loads enhance stability and increase



## Operation (Continued)

performance of the buffers. If the capacitance presented by the load is less than 5nF external components will be required as the load itself will not ensure stability. No external compensation in this case will lead to oscillation of the buffer and an increase in power consumption. A single 5nF or greater capacitor on the output will ensure a stable buffer with no oscillations. For applications requiring a higher slew rate, a good choice for compensation is to add a 50Ω ( $R_{ox}$ ) in series with a 1nF ( $C_{ox}$ ) capacitor from the output of the buffer to ground. This allows for driving zero to infinite capacitance loads with no oscillations, minimal overshoot, and a higher slew rate than using a large capacitor. The high phase margin created by the external compensation will guarantee stability and good performance for all conditions.

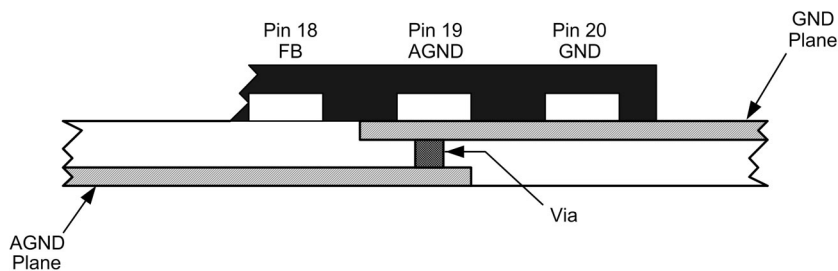
For noise sensitive applications greater output capacitance may be desired. When the power supply for the buffers ( $V_{s+}$ ) is connected to the output of the switching regulator, the output ripple of the regulator will produce ripple at the output of the buffers.

### LAYOUT CONSIDERATIONS

The LM2711 uses two separate ground connections, GND for the driver and NMOS power device of the boost regulator and AGND for the sensitive analog control circuitry of the boost regulator and the  $V_{COM}$  and Gamma buffers. The AGND and GND pins should be tied directly together at the

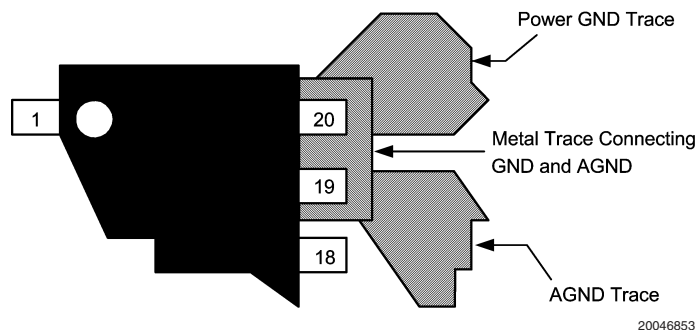
package, see *Figure 3* and *Figure 4*. The feedback, softstart, and compensation networks should be connected directly to a dedicated analog ground plane and this ground plane must connect to the AGND pin, as in *Figure 3*. If no analog ground plane is available then the ground connections of the feedback, softstart, and compensation networks must tie directly to the AGND pin, as show in *Figure 4*. Connecting these networks to the GND pin can inject noise into the system and effect performance. For 600kHz operation the FSLCT pin should be tied to an analog ground plane or directly to the AGND pin. For 1.25MHz operation the FSLCT pin should be tied to the  $V_{IN}$  pin.

The input bypass capacitor  $C_{IN}$  must be placed close to the IC. This will reduce copper trace resistance which effects input voltage ripple of the IC. For additional input voltage filtering, a 100nF bypass capacitor can be placed in parallel with  $C_{IN}$ , close to the  $V_{IN}$  pin, to shunt any high frequency noise to ground. The output capacitor,  $C_{OUT}$ , should also be placed close to the IC. Any copper trace connections for the  $C_{OUT}$  capacitor can increase the series resistance, which directly effects output voltage ripple and efficiency. The feedback network, resistors R1 and R2, should be kept close to the FB pin, and away from the inductor, to minimize copper trace connections that can inject noise into the system. Trace connections made to the inductor and schottky diode should be minimized to reduce power dissipation and increase overall efficiency.



20046852

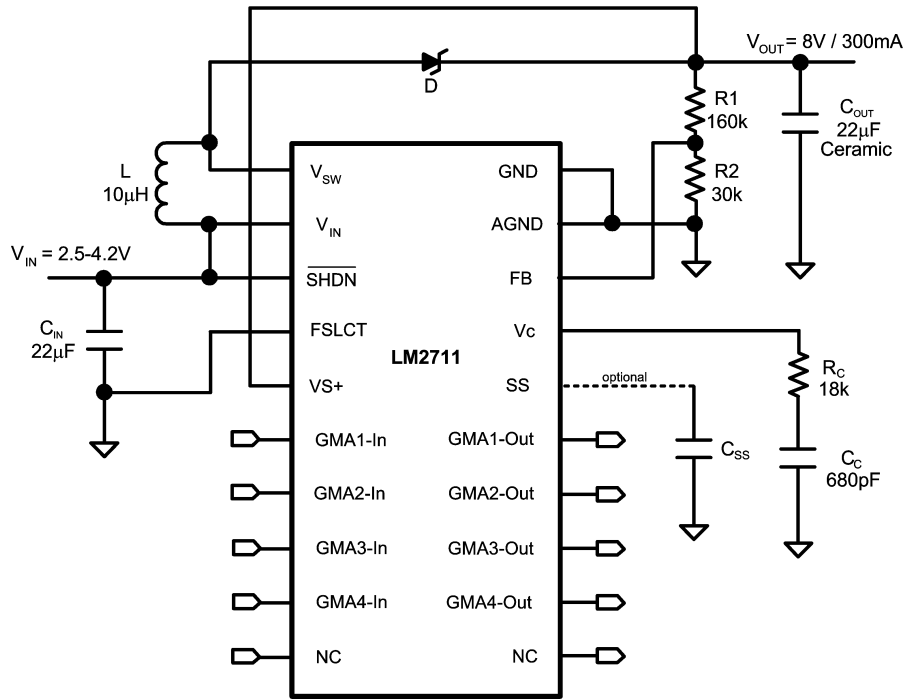
FIGURE 3. Multi-Layer Layout



20046853

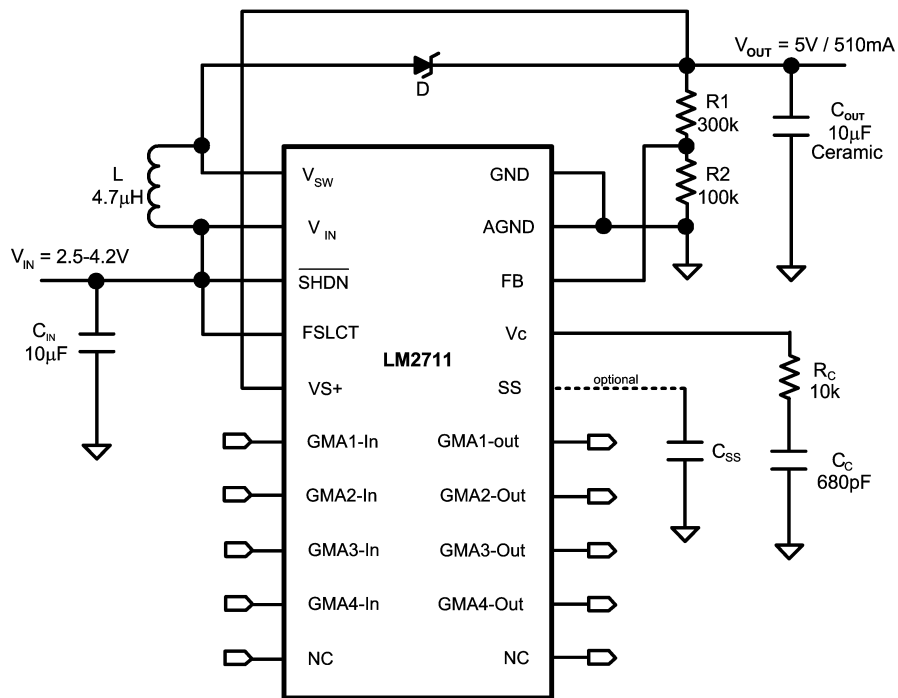
FIGURE 4. Single Layer Layout

# Application Information



20046859

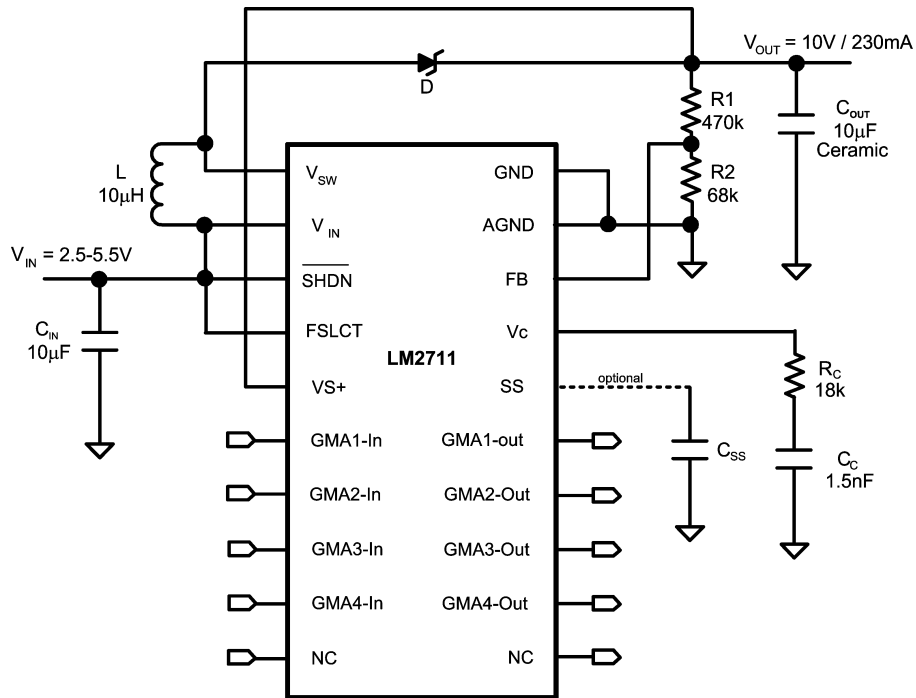
FIGURE 5. 600kHz, 8V Application



20046884

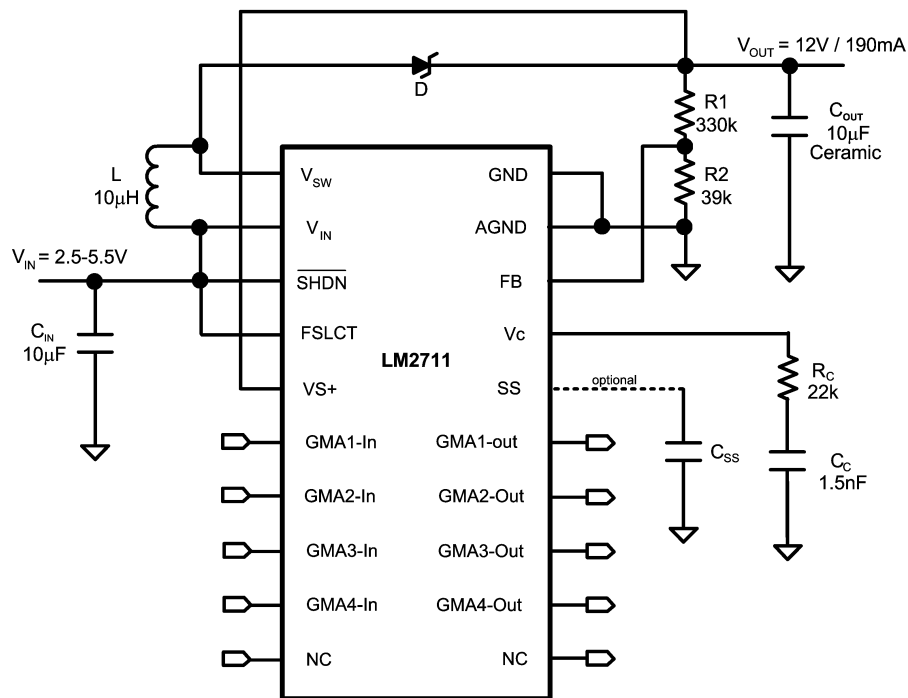
FIGURE 6. 1.25MHz, 5V Application

## Application Information (Continued)



20046885

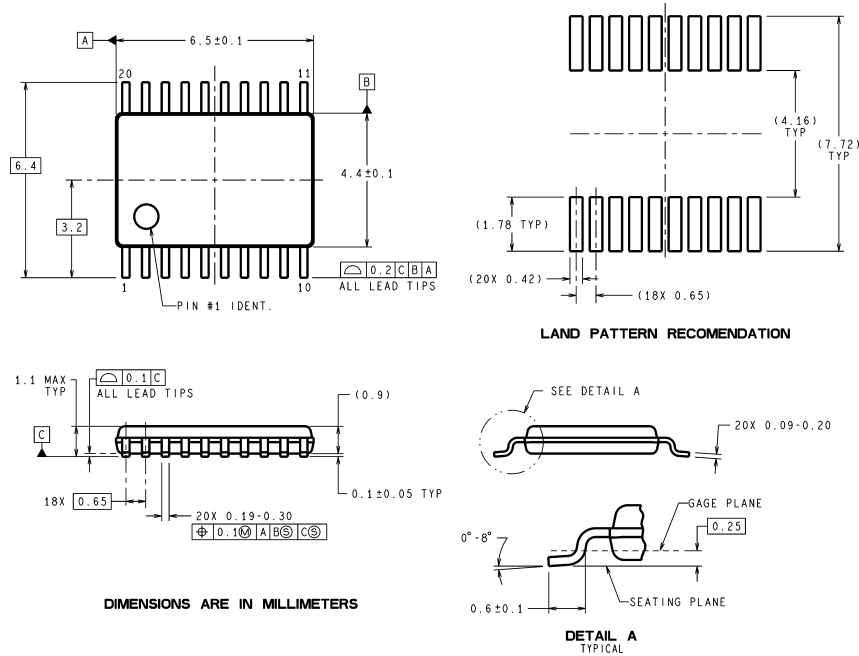
FIGURE 7. 1.25MHz, 10V Application



20046886

FIGURE 8. 1.25MHz, 12V Application

**Physical Dimensions** inches (millimeters) unless otherwise noted



MTC20 (Rev E)

**TSSOP-20 Pin Package (MTC)**  
For Ordering, Refer to Ordering Information Table  
NS Package Number MTC20

**LIFE SUPPORT POLICY**

NATIONAL'S PRODUCTS ARE NOT AUTHORIZED FOR USE AS CRITICAL COMPONENTS IN LIFE SUPPORT DEVICES OR SYSTEMS WITHOUT THE EXPRESS WRITTEN APPROVAL OF THE PRESIDENT AND GENERAL COUNSEL OF NATIONAL SEMICONDUCTOR CORPORATION. As used herein:

1. Life support devices or systems are devices or systems which, (a) are intended for surgical implant into the body, or (b) support or sustain life, and whose failure to perform when properly used in accordance with instructions for use provided in the labeling, can be reasonably expected to result in a significant injury to the user.
2. A critical component is any component of a life support device or system whose failure to perform can be reasonably expected to cause the failure of the life support device or system, or to affect its safety or effectiveness.

**BANNED SUBSTANCE COMPLIANCE**

National Semiconductor certifies that the products and packing materials meet the provisions of the Customer Products Stewardship Specification (CSP-9-111C2) and the Banned Substances and Materials of Interest Specification (CSP-9-111S2) and contain no "Banned Substances" as defined in CSP-9-111S2.

**National Semiconductor**  
Americas Customer Support Center  
Email: [new.feedback@nsc.com](mailto:new.feedback@nsc.com)  
Tel: 1-800-272-9959

**National Semiconductor**  
Europe Customer Support Center  
Fax: +49 (0) 180-530 85 86  
Email: [europe.support@nsc.com](mailto:europe.support@nsc.com)  
Deutsch Tel: +49 (0) 69 9508 6208  
English Tel: +44 (0) 870 24 0 2171  
Français Tel: +33 (0) 1 41 91 8790

**National Semiconductor**  
Asia Pacific Customer Support Center  
Email: [ap.support@nsc.com](mailto:ap.support@nsc.com)

**National Semiconductor**  
Japan Customer Support Center  
Fax: 81-3-5639-7507  
Email: [jpn.feedback@nsc.com](mailto:jpn.feedback@nsc.com)  
Tel: 81-3-5639-7560

[www.national.com](http://www.national.com)

National does not assume any responsibility for use of any circuitry described, no circuit patent licenses are implied and National reserves the right at any time without notice to change said circuitry and specifications.