

LM2736

Thin SOT23 750mA Load Step-Down DC-DC Regulator

General Description

The LM2736 regulator is a monolithic, high frequency, PWM step-down DC/DC converter in a 6-pin Thin SOT23 package. It provides all the active functions to provide local DC/DC conversion with fast transient response and accurate regulation in the smallest possible PCB area.

With a minimum of external components and online design support through WEBENCH[®], the LM2736 is easy to use. The ability to drive 750mA loads with an internal 350mΩ NMOS switch using state-of-the-art 0.5μm BiCMOS technology results in the best power density available. The world class control circuitry allows for on-times as low as 13ns, thus supporting exceptionally high frequency conversion over the entire 3V to 18V input operating range down to the minimum output voltage of 1.25V. Switching frequency is internally set to 550kHz (LM2736Y) or 1.6MHz (LM2736X), allowing the use of extremely small surface mount inductors and chip capacitors. Even though the operating frequencies are very high, efficiencies up to 90% are easy to achieve. External shutdown is included, featuring an ultra-low stand-by current of 30nA. The LM2736 utilizes current-mode control and internal compensation to provide high-performance regulation over a wide range of operating conditions. Additional features include internal soft-start circuitry to reduce inrush current, pulse-by-pulse current limit, thermal shutdown, and output over-voltage protection.

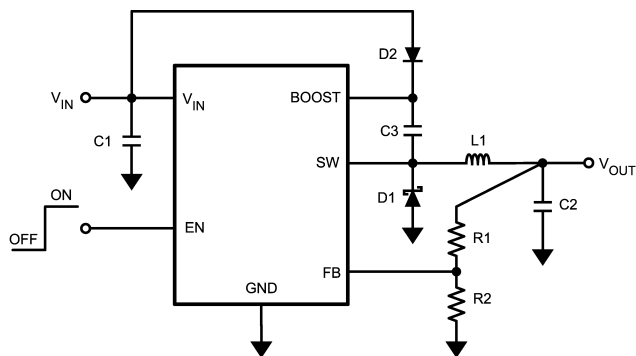
Features

- Thin SOT23-6 package
- 3.0V to 18V input voltage range
- 1.25V to 16V output voltage range
- 750mA output current
- 550kHz (LM2736Y) and 1.6MHz (LM2736X) switching frequencies
- 350mΩ NMOS switch
- 30nA shutdown current
- 1.25V, 2% internal voltage reference
- Internal soft-start
- Current-Mode, PWM operation
- WEBENCH[®] online design tool
- Thermal shutdown

Applications

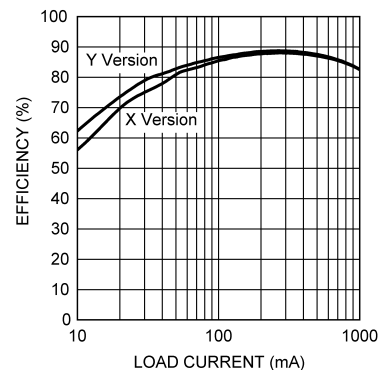
- Local Point of Load Regulation
- Core Power in HDDs
- Set-Top Boxes
- Battery Powered Devices
- USB Powered Devices
- DSL Modems
- Notebook Computers

Typical Application Circuit



20124201

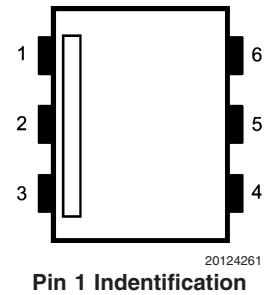
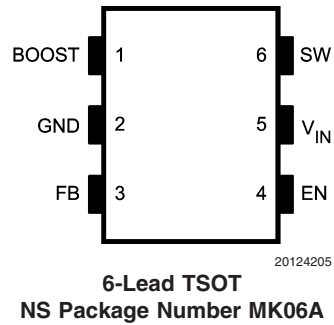
Efficiency vs Load Current "X"
 $V_{IN} = 5V, V_{OUT} = 3.3V$



20124251

WEBENCH[™] is a trademark of Transim.

Connection Diagrams



Ordering Information

Order Number	Package Type	NSC Package Drawing	Package Marking	Supplied As
LM2736XMK	TSOT-6	MK06A	SHAB	1000 Units on Tape and Reel
LM2736YMK			SHBB	1000 Units on Tape and Reel
LM2736XMKX			SHAB	3000 Units on Tape and Reel
LM2736YMKX			SHBB	3000 Units on Tape and Reel

* Contact the local sales office for the lead-free package.

Pin Description

Pin	Name	Function
1	BOOST	Boost voltage that drives the internal NMOS control switch. A bootstrap capacitor is connected between the BOOST and SW pins.
2	GND	Signal and Power ground pin. Place the bottom resistor of the feedback network as close as possible to this pin for accurate regulation.
3	FB	Feedback pin. Connect FB to the external resistor divider to set output voltage.
4	EN	Enable control input. Logic high enables operation. Do not allow this pin to float or be greater than $V_{IN} + 0.3V$.
5	V_{IN}	Input supply voltage. Connect a bypass capacitor to this pin.
6	SW	Output switch. Connects to the inductor, catch diode, and bootstrap capacitor.

Absolute Maximum Ratings (Note 1)

If Military/Aerospace specified devices are required, please contact the National Semiconductor Sales Office/Distributors for availability and specifications.

V_{IN}	-0.5V to 22V
SW Voltage	-0.5V to 22V
Boost Voltage	-0.5V to 28V
Boost to SW Voltage	-0.5V to 6.0V
FB Voltage	-0.5V to 3.0V
EN Voltage	-0.5V to ($V_{IN} + 0.3V$)
Junction Temperature	150°C
ESD Susceptibility (Note 2)	2kV
Storage Temp. Range	-65°C to 150°C

Soldering Information

Infrared/Convection Reflow (15sec)	220°C
Wave Soldering Lead Temp. (10sec)	260°C

Operating Ratings (Note 1)

V_{IN}	3V to 18V
SW Voltage	-0.5V to 18V
Boost Voltage	-0.5V to 23V
Boost to SW Voltage	1.6V to 5.5V
Junction Temperature Range	-40°C to +125°C
Thermal Resistance θ_{JA} (Note 3)	118°C/W

Electrical Characteristics

Specifications with standard typeface are for $T_J = 25^\circ\text{C}$, and those in **boldface type** apply over the full **Operating Temperature Range** ($T_J = -40^\circ\text{C}$ to 125°C). $V_{IN} = 5V$, $V_{BOOST} - V_{SW} = 5V$ unless otherwise specified. Datasheet min/max specification limits are guaranteed by design, test, or statistical analysis.

Symbol	Parameter	Conditions	Min (Note 4)	Typ (Note 5)	Max (Note 4)	Units
V_{FB}	Feedback Voltage		1.225	1.250	1.275	V
$\Delta V_{FB}/\Delta V_{IN}$	Feedback Voltage Line Regulation	$V_{IN} = 3V$ to 18V		0.01		% / V
I_{FB}	Feedback Input Bias Current	Sink/Source		10	250	nA
UVLO	Undervoltage Lockout	V_{IN} Rising		2.74	2.90	V
	Undervoltage Lockout	V_{IN} Falling	2.0	2.3		
	UVLO Hysteresis		0.30	0.44	0.62	
F_{SW}	Switching Frequency	LM2736X	1.2	1.6	1.9	MHz
		LM2736Y	0.40	0.55	0.66	
D_{MAX}	Maximum Duty Cycle	LM2736X	85	92		%
		LM2736Y	90	96		
D_{MIN}	Minimum Duty Cycle	LM2736X		2		%
		LM2736Y		1		
$R_{DS(ON)}$	Switch ON Resistance	$V_{BOOST} - V_{SW} = 3V$		350	650	mΩ
I_{CL}	Switch Current Limit	$V_{BOOST} - V_{SW} = 3V$	1.0	1.5	2.3	A
I_Q	Quiescent Current	Switching		1.5	2.5	mA
	Quiescent Current (shutdown)	$V_{EN} = 0V$		30		nA
I_{BOOST}	Boost Pin Current	LM2736X (50% Duty Cycle)		2.2	3.3	mA
		LM2736Y (50% Duty Cycle)		0.9	1.6	
V_{EN_TH}	Shutdown Threshold Voltage	V_{EN} Falling			0.4	V
	Enable Threshold Voltage	V_{EN} Rising	1.8			
I_{EN}	Enable Pin Current	Sink/Source		10		nA
I_{SW}	Switch Leakage			40		nA

Note 1: Absolute Maximum Ratings indicate limits beyond which damage to the device may occur. Operating Ratings indicate conditions for which the device is intended to be functional, but specific performance is not guaranteed. For guaranteed specifications and the test conditions, see Electrical Characteristics.

Note 2: Human body model, 1.5kΩ in series with 100pF.

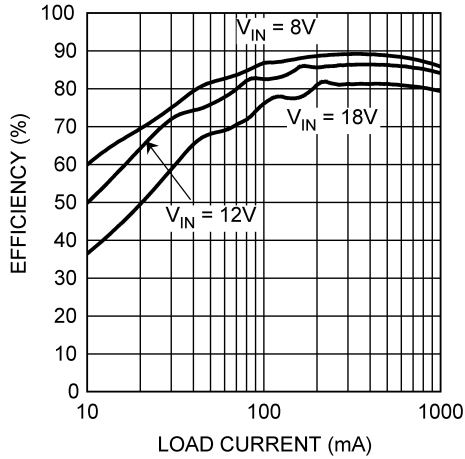
Note 3: Thermal shutdown will occur if the junction temperature exceeds 165°C. The maximum power dissipation is a function of $T_{J(MAX)}$, θ_{JA} and T_A . The maximum allowable power dissipation at any ambient temperature is $P_D = (T_{J(MAX)} - T_A)/\theta_{JA}$. All numbers apply for packages soldered directly onto a 3" x 3" PC board with 2oz. copper on 4 layers in still air. For a 2 layer board using 1 oz. copper in still air, $\theta_{JA} = 204^\circ\text{C/W}$.

Note 4: Guaranteed to National's Average Outgoing Quality Level (AOQL).

Note 5: Typicals represent the most likely parametric norm.

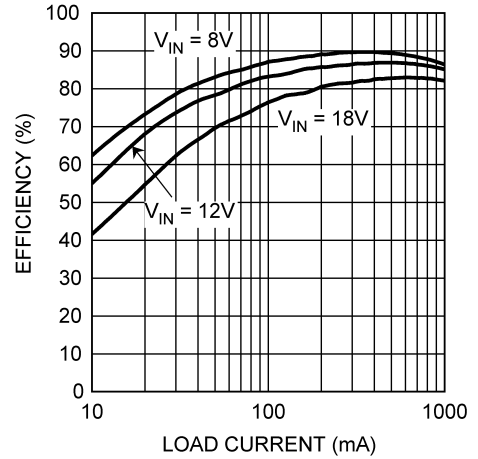
Typical Performance Characteristics All curves taken at $V_{IN} = 5V$, $V_{BOOST} - V_{SW} = 5V$, $L1 = 4.7 \mu H$ ("X"), $L1 = 10 \mu H$ ("Y"), and $T_A = 25^\circ C$, unless specified otherwise.

Efficiency vs Load Current - "X" $V_{OUT} = 5V$



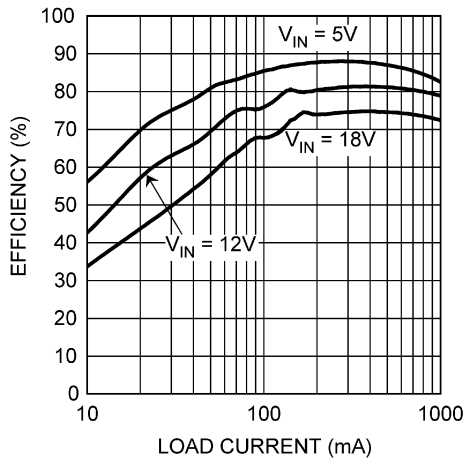
20124236

Efficiency vs Load Current - "Y" $V_{OUT} = 5V$



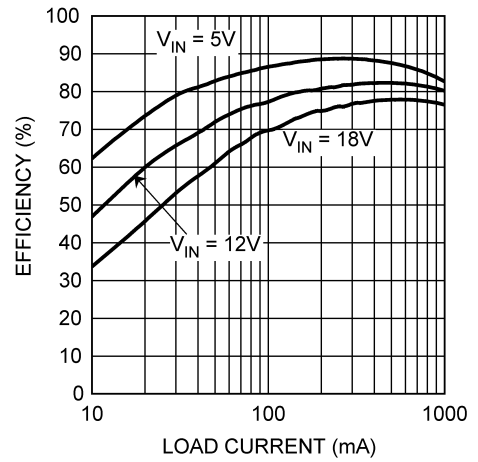
20124254

Efficiency vs Load Current - "X" $V_{OUT} = 3.3V$



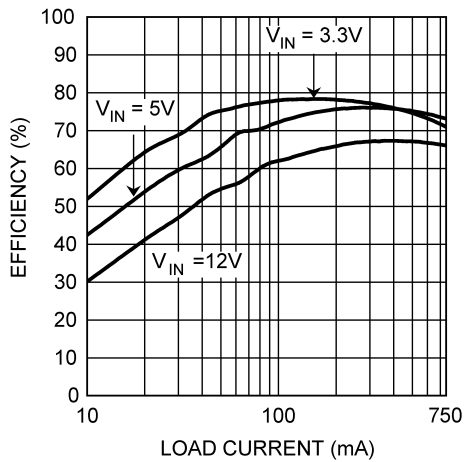
20124259

Efficiency vs Load Current - "Y" $V_{OUT} = 3.3V$



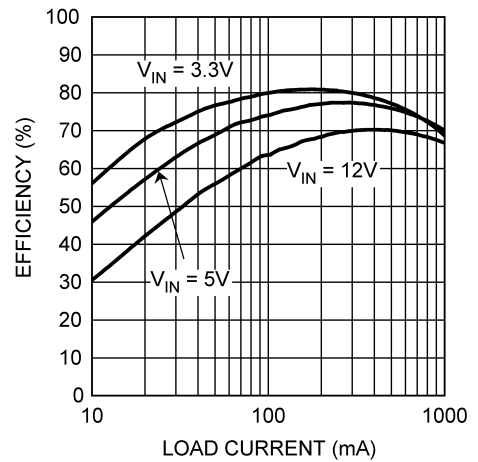
20124253

Efficiency vs Load Current - "X" $V_{OUT} = 1.5V$



20124237

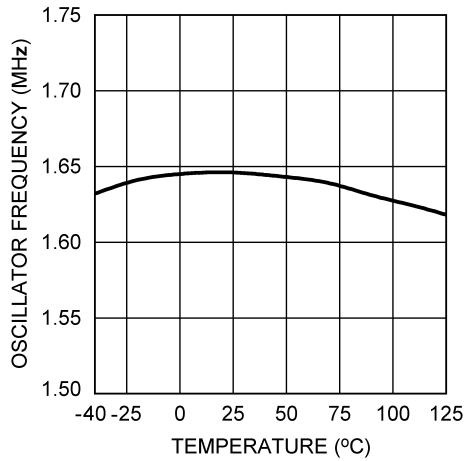
Efficiency vs Load Current - "Y" $V_{OUT} = 1.5V$



20124252

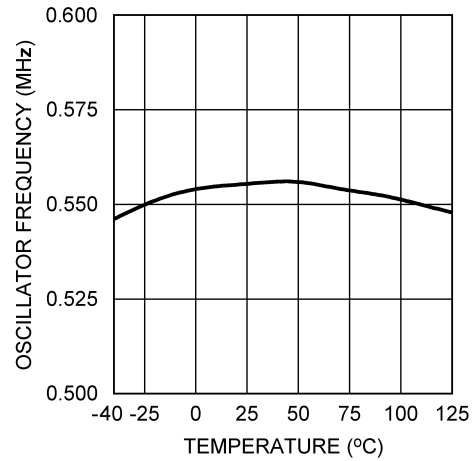
Typical Performance Characteristics All curves taken at $V_{IN} = 5V$, $V_{BOOST} - V_{SW} = 5V$, $L1 = 4.7 \mu H$ ("X"), $L1 = 10 \mu H$ ("Y"), and $T_A = 25^\circ C$, unless specified otherwise. (Continued)

Oscillator Frequency vs Temperature - "X"



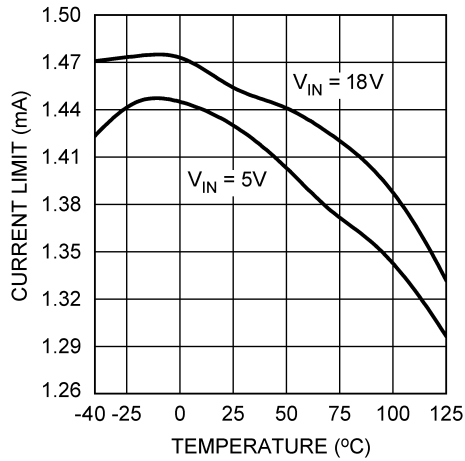
20124255

Oscillator Frequency vs Temperature - "Y"



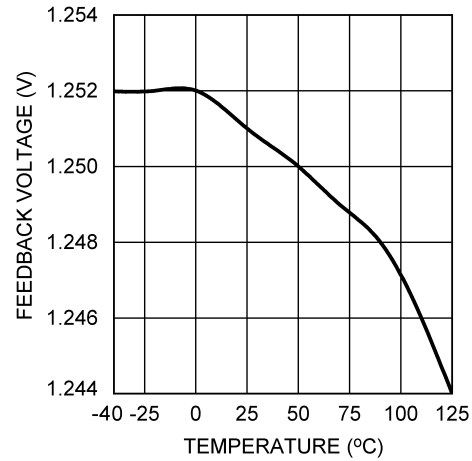
20124228

Current Limit vs Temperature
 $V_{IN} = 18V, V_{IN} = 5V$



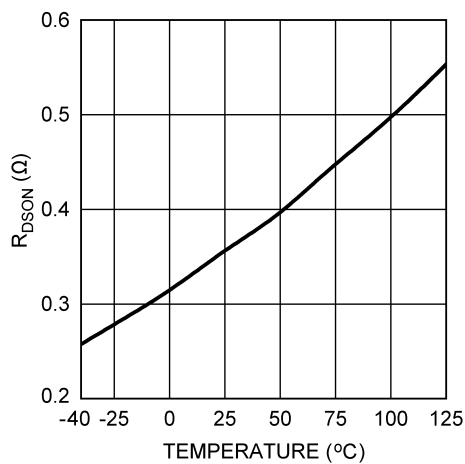
20124229

V_{FB} vs Temperature



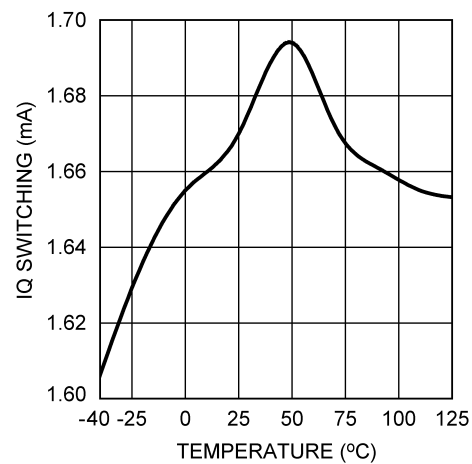
20124233

$R_{DS(on)}$ vs Temperature



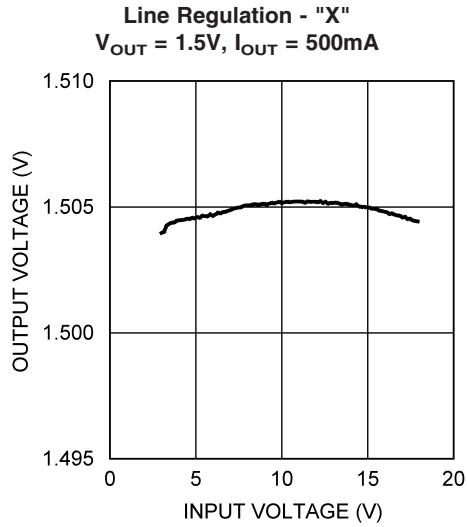
20124230

I_Q Switching vs Temperature

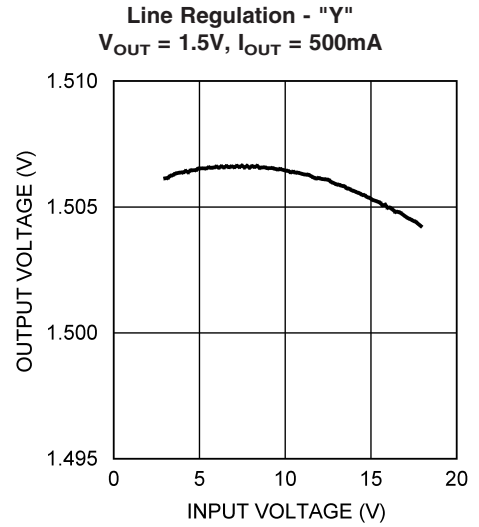


20124246

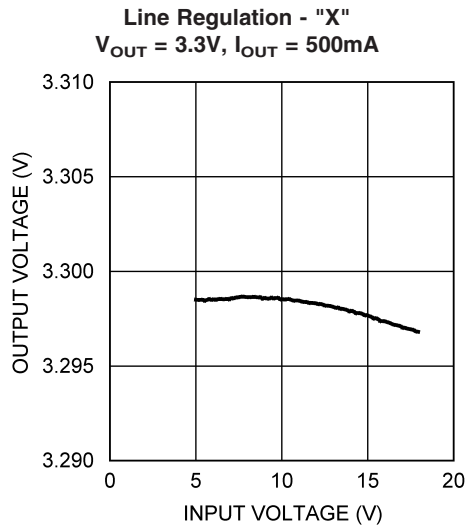
Typical Performance Characteristics All curves taken at $V_{IN} = 5V$, $V_{BOOST} - V_{SW} = 5V$, $L1 = 4.7 \mu H$ ("X"), $L1 = 10 \mu H$ ("Y"), and $T_A = 25^\circ C$, unless specified otherwise. (Continued)



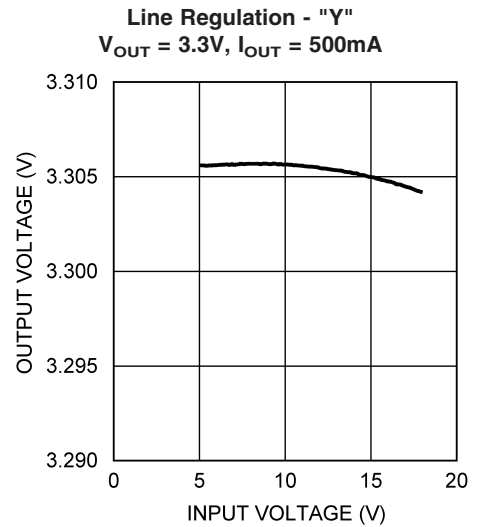
20124258



20124256

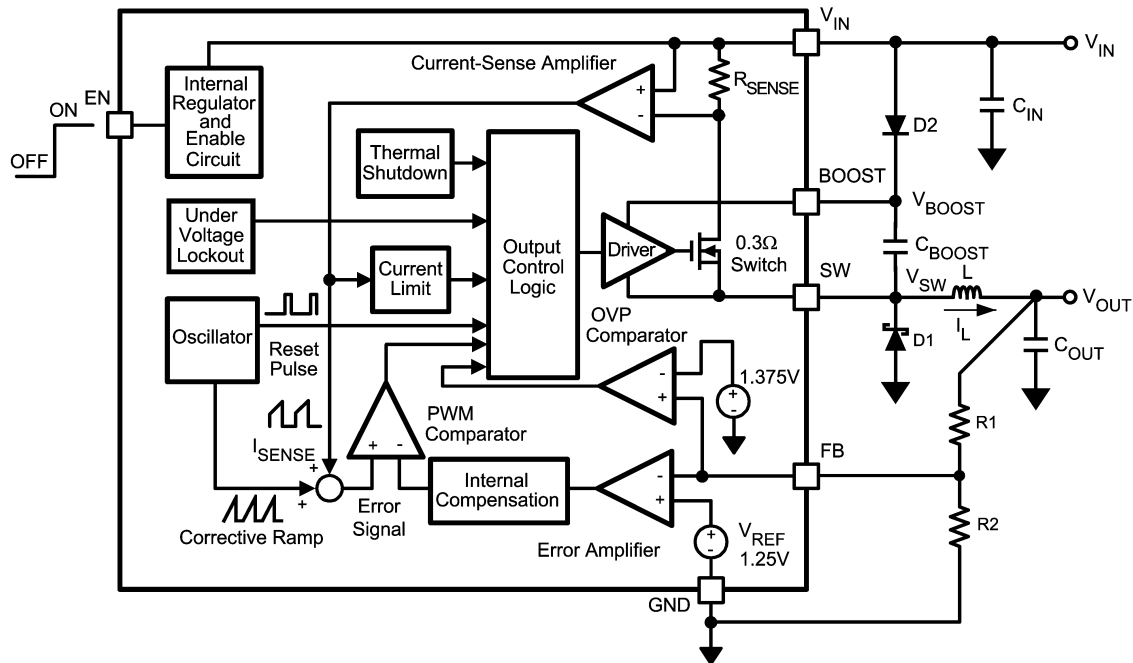


20124257



20124260

Block Diagram



20124206

FIGURE 1.

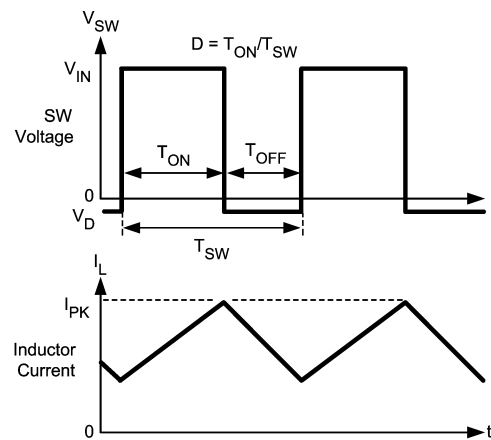
Application Information

THEORY OF OPERATION

The LM2736 is a constant frequency PWM buck regulator IC that delivers a 750mA load current. The regulator has a preset switching frequency of either 550kHz (LM2736Y) or 1.6MHz (LM2736X). These high frequencies allow the LM2736 to operate with small surface mount capacitors and inductors, resulting in DC/DC converters that require a minimum amount of board space. The LM2736 is internally compensated, so it is simple to use, and requires few external components. The LM2736 uses current-mode control to regulate the output voltage.

The following operating description of the LM2736 will refer to the Simplified Block Diagram (Figure 1) and to the waveforms in Figure 2. The LM2736 supplies a regulated output voltage by switching the internal NMOS control switch at constant frequency and variable duty cycle. A switching cycle begins at the falling edge of the reset pulse generated by the internal oscillator. When this pulse goes low, the output control logic turns on the internal NMOS control switch. During this on-time, the SW pin voltage (V_{SW}) swings up to approximately V_{IN} , and the inductor current (I_L) increases with a linear slope. I_L is measured by the current-sense amplifier, which generates an output proportional to the switch current. The sense signal is summed with the regulator's corrective ramp and compared to the error amplifier's output, which is proportional to the difference between the feedback voltage and V_{REF} . When the PWM comparator output goes high, the output switch turns off until the next switching cycle begins. During the switch off-time, inductor current discharges through Schottky diode D1, which forces the SW pin to swing below ground by the

forward voltage (V_D) of the catch diode. The regulator loop adjusts the duty cycle (D) to maintain a constant output voltage.



20124207

FIGURE 2. LM2736 Waveforms of SW Pin Voltage and Inductor Current

BOOST FUNCTION

Capacitor C_{BOOST} and diode D2 in Figure 3 are used to generate a voltage V_{BOOST} . $V_{BOOST} - V_{SW}$ is the gate drive voltage to the internal NMOS control switch. To properly drive the internal NMOS switch during its on-time, V_{BOOST} needs to be at least 1.6V greater than V_{SW} . Although the LM2736 will operate with this minimum voltage, it may not have sufficient gate drive to supply large values of output

Application Information (Continued)

current. Therefore, it is recommended that V_{BOOST} be greater than 2.5V above V_{SW} for best efficiency. $V_{\text{BOOST}} - V_{\text{SW}}$ should not exceed the maximum operating limit of 5.5V. $5.5\text{V} > V_{\text{BOOST}} - V_{\text{SW}} > 2.5\text{V}$ for best performance.

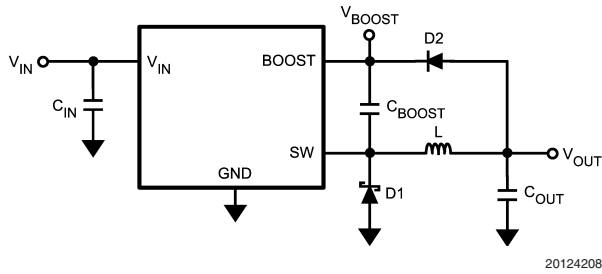


FIGURE 3. V_{OUT} Charges C_{BOOST}

When the LM2736 starts up, internal circuitry from the BOOST pin supplies a maximum of 20mA to C_{BOOST} . This current charges C_{BOOST} to a voltage sufficient to turn the switch on. The BOOST pin will continue to source current to C_{BOOST} until the voltage at the feedback pin is greater than 1.18V.

There are various methods to derive V_{BOOST} :

1. From the input voltage (V_{IN})
2. From the output voltage (V_{OUT})
3. From an external distributed voltage rail (V_{EXT})
4. From a shunt or series zener diode

In the Simplified Block Diagram of *Figure 1*, capacitor C_{BOOST} and diode D2 supply the gate-drive current for the NMOS switch. Capacitor C_{BOOST} is charged via diode D2 by V_{IN} . During a normal switching cycle, when the internal NMOS control switch is off (T_{OFF}) (refer to *Figure 2*), V_{BOOST} equals V_{IN} minus the forward voltage of D2 (V_{FD2}), during which the current in the inductor (L) forward biases the Schottky diode D1 (V_{FD1}). Therefore the voltage stored across C_{BOOST} is

$$V_{\text{BOOST}} - V_{\text{SW}} = V_{\text{IN}} - V_{\text{FD2}} + V_{\text{FD1}}$$

When the NMOS switch turns on (T_{ON}), the switch pin rises to

$$V_{\text{SW}} = V_{\text{IN}} - (R_{\text{DS(on)}} \times I_{\text{L}}),$$

forcing V_{BOOST} to rise thus reverse biasing D2. The voltage at V_{BOOST} is then

$$V_{\text{BOOST}} = 2V_{\text{IN}} - (R_{\text{DS(on)}} \times I_{\text{L}}) - V_{\text{FD2}} + V_{\text{FD1}}$$

which is approximately

$$2V_{\text{IN}} - 0.4\text{V}$$

for many applications. Thus the gate-drive voltage of the NMOS switch is approximately

$$V_{\text{IN}} - 0.2\text{V}$$

An alternate method for charging C_{BOOST} is to connect D2 to the output as shown in *Figure 3*. The output voltage should be between 2.5V and 5.5V, so that proper gate voltage will be applied to the internal switch. In this circuit, C_{BOOST} provides a gate drive voltage that is slightly less than V_{OUT} .

In applications where both V_{IN} and V_{OUT} are greater than 5.5V, or less than 3V, C_{BOOST} cannot be charged directly from these voltages. If V_{IN} and V_{OUT} are greater than 5.5V, C_{BOOST} can be charged from V_{IN} or V_{OUT} minus a zener voltage by placing a zener diode D3 in series with D2, as

shown in *Figure 4*. When using a series zener diode from the input, ensure that the regulation of the input supply doesn't create a voltage that falls outside the recommended V_{BOOST} voltage.

$$(V_{\text{INMAX}} - V_{\text{D3}}) < 5.5\text{V}$$

$$(V_{\text{INMIN}} - V_{\text{D3}}) > 1.6\text{V}$$

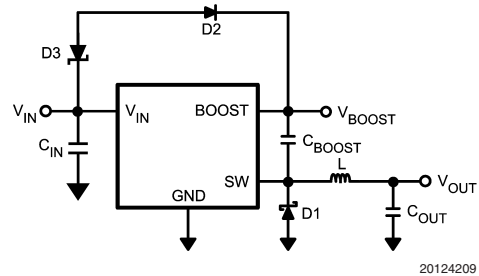


FIGURE 4. Zener Reduces Boost Voltage from V_{IN}

An alternative method is to place the zener diode D3 in a shunt configuration as shown in *Figure 5*. A small 350mW to 500mW 5.1V zener in a SOT-23 or SOD package can be used for this purpose. A small ceramic capacitor such as a 6.3V, 0.1 μF capacitor (C_4) should be placed in parallel with the zener diode. When the internal NMOS switch turns on, a pulse of current is drawn to charge the internal NMOS gate capacitance. The 0.1 μF parallel shunt capacitor ensures that the V_{BOOST} voltage is maintained during this time.

Resistor R3 should be chosen to provide enough RMS current to the zener diode (D3) and to the BOOST pin. A recommended choice for the zener current (I_{ZENER}) is 1 mA. The current I_{BOOST} into the BOOST pin supplies the gate current of the NMOS control switch and varies typically according to the following formula for the X - version:

$$I_{\text{BOOST}} = 0.49 \times (D + 0.54) \times (V_{\text{ZENER}} - V_{\text{D2}}) \text{ mA}$$

I_{BOOST} can be calculated for the Y version using the following:

$$I_{\text{BOOST}} = 0.20 \times (D + 0.54) \times (V_{\text{ZENER}} - V_{\text{D2}}) \mu\text{A}$$

where D is the duty cycle, V_{ZENER} and V_{D2} are in volts, and I_{BOOST} is in milliamps. V_{ZENER} is the voltage applied to the anode of the boost diode (D2), and V_{D2} is the average forward voltage across D2. Note that this formula for I_{BOOST} gives typical current. For the worst case I_{BOOST} , increase the current by 40%. In that case, the worst case boost current will be

$$I_{\text{BOOST-MAX}} = 1.4 \times I_{\text{BOOST}}$$

R3 will then be given by

$$R3 = (V_{\text{IN}} - V_{\text{ZENER}}) / (1.4 \times I_{\text{BOOST}} + I_{\text{ZENER}})$$

For example, using the X-version let $V_{\text{IN}} = 10\text{V}$, $V_{\text{ZENER}} = 5\text{V}$, $V_{\text{D2}} = 0.7\text{V}$, $I_{\text{ZENER}} = 1\text{mA}$, and duty cycle $D = 50\%$. Then

$$I_{\text{BOOST}} = 0.49 \times (0.5 + 0.54) \times (5 - 0.7) \text{ mA} = 2.19\text{mA}$$

$$R3 = (10\text{V} - 5\text{V}) / (1.4 \times 2.19\text{mA} + 1\text{mA}) = 1.23\text{k}\Omega$$

Application Information (Continued)

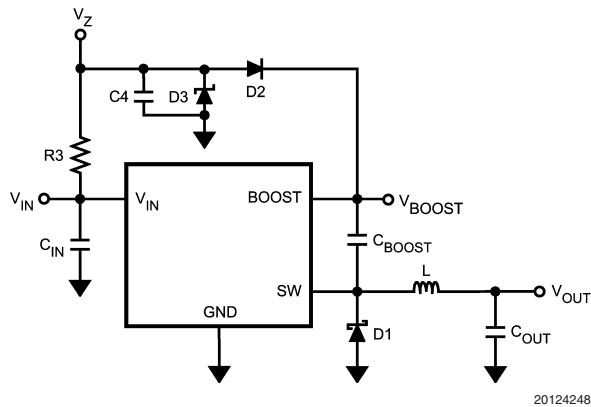


FIGURE 5. Boost Voltage Supplied from the Shunt Zener on V_{IN}

ENABLE PIN / SHUTDOWN MODE

The LM2736 has a shutdown mode that is controlled by the enable pin (EN). When a logic low voltage is applied to EN, the part is in shutdown mode and its quiescent current drops to typically 30nA. Switch leakage adds another 40nA from the input supply. The voltage at this pin should never exceed V_{IN} + 0.3V.

SOFT-START

This function forces V_{OUT} to increase at a controlled rate during start up. During soft-start, the error amplifier's reference voltage ramps from 0V to its nominal value of 1.25V in approximately 200μs. This forces the regulator output to ramp up in a more linear and controlled fashion, which helps reduce inrush current.

OUTPUT OVERVOLTAGE PROTECTION

The overvoltage comparator compares the FB pin voltage to a voltage that is 10% higher than the internal reference V_{ref}. Once the FB pin voltage goes 10% above the internal reference, the internal NMOS control switch is turned off, which allows the output voltage to decrease toward regulation.

UNDERVOLTAGE LOCKOUT

Undervoltage lockout (UVLO) prevents the LM2736 from operating until the input voltage exceeds 2.74V(typ).

The UVLO threshold has approximately 440mV of hysteresis, so the part will operate until V_{IN} drops below 2.3V(typ). Hysteresis prevents the part from turning off during power up if V_{IN} is non-monotonic.

CURRENT LIMIT

The LM2736 uses cycle-by-cycle current limiting to protect the output switch. During each switching cycle, a current limit comparator detects if the output switch current exceeds 1.5A (typ), and turns off the switch until the next switching cycle begins.

THERMAL SHUTDOWN

Thermal shutdown limits total power dissipation by turning off the output switch when the IC junction temperature exceeds 165°C. After thermal shutdown occurs, the output switch doesn't turn on until the junction temperature drops to approximately 150°C.

Design Guide

INDUCTOR SELECTION

The Duty Cycle (D) can be approximated quickly using the ratio of output voltage (V_O) to input voltage (V_{IN}):

$$D = \frac{V_O}{V_{IN}}$$

The catch diode (D1) forward voltage drop and the voltage drop across the internal NMOS must be included to calculate a more accurate duty cycle. Calculate D by using the following formula:

$$D = \frac{V_O + V_D}{V_{IN} + V_D - V_{SW}}$$

V_{SW} can be approximated by:

$$V_{SW} = I_O \times R_{DS(ON)}$$

The diode forward drop (V_D) can range from 0.3V to 0.7V depending on the quality of the diode. The lower V_D is, the higher the operating efficiency of the converter.

The inductor value determines the output ripple current. Lower inductor values decrease the size of the inductor, but increase the output ripple current. An increase in the inductor value will decrease the output ripple current. The ratio of ripple current (Δi_L) to output current (I_O) is optimized when it is set between 0.3 and 0.4 at 750mA. The ratio r is defined as:

$$r = \frac{\Delta i_L}{I_O}$$

One must also ensure that the minimum current limit (1.0A) is not exceeded, so the peak current in the inductor must be calculated. The peak current (I_{LPK}) in the inductor is calculated by:

$$I_{LPK} = I_O + \Delta I_L / 2$$

If r = 0.7 at an output of 750mA, the peak current in the inductor will be 1.0125A. The minimum guaranteed current limit over all operating conditions is 1.0A. One can either reduce r to 0.6 resulting in a 975mA peak current, or make the engineering judgement that 12.5mA over will be safe enough with a 1.5A typical current limit and 6 sigma limits. When the designed maximum output current is reduced, the ratio r can be increased. At a current of 0.1A, r can be made as high as 0.9. The ripple ratio can be increased at lighter loads because the net ripple is actually quite low, and if r remains constant the inductor value can be made quite large. An equation empirically developed for the maximum ripple ratio at any current below 2A is:

$$r = 0.387 \times I_{OUT}^{-0.3667}$$

Note that this is just a guideline.

Design Guide (Continued)

The LM2736 operates at frequencies allowing the use of ceramic output capacitors without compromising transient response. Ceramic capacitors allow higher inductor ripple without significantly increasing output ripple. See the output capacitor section for more details on calculating output voltage ripple.

Now that the ripple current or ripple ratio is determined, the inductance is calculated by:

$$L = \frac{V_o + V_D}{I_o \times r \times f_s} \times (1-D)$$

where f_s is the switching frequency and I_o is the output current. When selecting an inductor, make sure that it is capable of supporting the peak output current without saturating. Inductor saturation will result in a sudden reduction in inductance and prevent the regulator from operating correctly. Because of the speed of the internal current limit, the peak current of the inductor need only be specified for the required maximum output current. For example, if the designed maximum output current is 0.5A and the peak current is 0.7A, then the inductor should be specified with a saturation current limit of >0.7A. There is no need to specify the saturation or peak current of the inductor at the 1.5A typical switch current limit. The difference in inductor size is a factor of 5. Because of the operating frequency of the LM2736, ferrite based inductors are preferred to minimize core losses. This presents little restriction since the variety of ferrite based inductors is huge. Lastly, inductors with lower series resistance (DCR) will provide better operating efficiency. For recommended inductors see Example Circuits.

INPUT CAPACITOR

An input capacitor is necessary to ensure that V_{IN} does not drop excessively during switching transients. The primary specifications of the input capacitor are capacitance, voltage, RMS current rating, and ESL (Equivalent Series Inductance). The recommended input capacitance is 10 μ F, although 4.7 μ F works well for input voltages below 6V. The input voltage rating is specifically stated by the capacitor manufacturer. Make sure to check any recommended deratings and also verify if there is any significant change in capacitance at the operating input voltage and the operating temperature. The input capacitor maximum RMS input current rating (I_{RMS-IN}) must be greater than:

$$I_{RMS-IN} = I_o \times \sqrt{D \times (1-D + \frac{r^2}{12})}$$

It can be shown from the above equation that maximum RMS capacitor current occurs when $D = 0.5$. Always calculate the RMS at the point where the duty cycle, D , is closest to 0.5. The ESL of an input capacitor is usually determined by the effective cross sectional area of the current path. A large leaded capacitor will have high ESL and a 0805 ceramic chip capacitor will have very low ESL. At the operating frequencies of the LM2736, certain capacitors may have an ESL so large that the resulting impedance ($2\pi fL$) will be higher than that required to provide stable operation. As a result, surface mount capacitors are strongly recommended. Sanyo POSCAP, Tantalum or Niobium, Panasonic SP or Cornell Dubilier ESR, and multilayer ceramic capacitors (MLCC) are all good choices for both input and output ca-

pacitors and have very low ESL. For MLCCs it is recommended to use X7R or X5R dielectrics. Consult capacitor manufacturer datasheet to see how rated capacitance varies over operating conditions.

OUTPUT CAPACITOR

The output capacitor is selected based upon the desired output ripple and transient response. The initial current of a load transient is provided mainly by the output capacitor. The output ripple of the converter is:

$$\Delta V_o = \Delta i_L \times (R_{ESR} + \frac{1}{8 \times f_s \times C_o})$$

When using MLCCs, the ESR is typically so low that the capacitive ripple may dominate. When this occurs, the output ripple will be approximately sinusoidal and 90° phase shifted from the switching action. Given the availability and quality of MLCCs and the expected output voltage of designs using the LM2736, there is really no need to review any other capacitor technologies. Another benefit of ceramic capacitors is their ability to bypass high frequency noise. A certain amount of switching edge noise will couple through parasitic capacitances in the inductor to the output. A ceramic capacitor will bypass this noise while a tantalum will not. Since the output capacitor is one of the two external components that control the stability of the regulator control loop, most applications will require a minimum at 10 μ F of output capacitance. Capacitance can be increased significantly with little detriment to the regulator stability. Like the input capacitor, recommended multilayer ceramic capacitors are X7R or X5R. Again, verify actual capacitance at the desired operating voltage and temperature.

Check the RMS current rating of the capacitor. The RMS current rating of the capacitor chosen must also meet the following condition:

$$I_{RMS-OUT} = I_o \times \frac{r}{\sqrt{12}}$$

CATCH DIODE

The catch diode (D1) conducts during the switch off-time. A Schottky diode is recommended for its fast switching times and low forward voltage drop. The catch diode should be chosen so that its current rating is greater than:

$$I_{D1} = I_o \times (1-D)$$

The reverse breakdown rating of the diode must be at least the maximum input voltage plus appropriate margin. To improve efficiency choose a Schottky diode with a low forward voltage drop.

BOOST DIODE

A standard diode such as the 1N4148 type is recommended. For V_{BOOST} circuits derived from voltages less than 3.3V, a small-signal Schottky diode is recommended for greater efficiency. A good choice is the BAT54 small signal diode.

BOOST CAPACITOR

A ceramic 0.01 μ F capacitor with a voltage rating of at least 6.3V is sufficient. The X7R and X5R MLCCs provide the best performance.

Design Guide (Continued)

OUTPUT VOLTAGE

The output voltage is set using the following equation where R2 is connected between the FB pin and GND, and R1 is connected between V_O and the FB pin. A good value for R2 is 10k Ω .

$$R1 = \left(\frac{V_O}{V_{REF}} - 1 \right) \times R2$$

PCB Layout Considerations

When planning layout there are a few things to consider when trying to achieve a clean, regulated output. The most important consideration when completing the layout is the close coupling of the GND connections of the C_{IN} capacitor and the catch diode D1. These ground ends should be close to one another and be connected to the GND plane with at least two through-holes. Place these components as close to the IC as possible. Next in importance is the location of the

GND connection of the C_{OUT} capacitor, which should be near the GND connections of C_{IN} and D1.

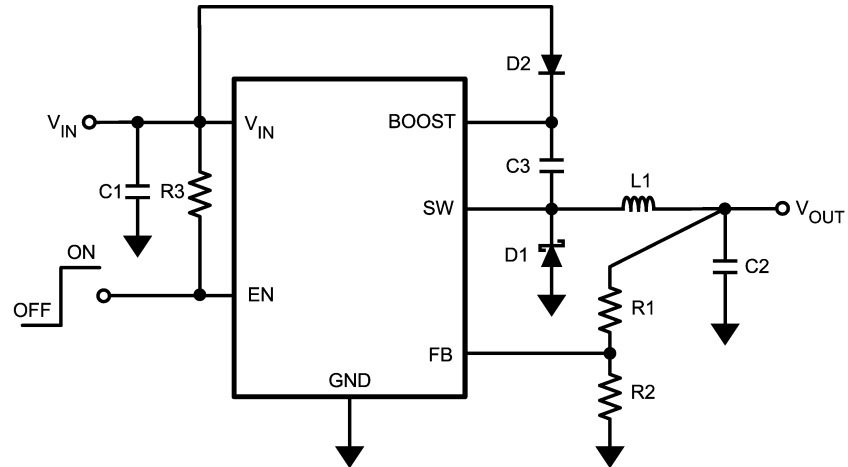
There should be a continuous ground plane on the bottom layer of a two-layer board except under the switching node island.

The FB pin is a high impedance node and care should be taken to make the FB trace short to avoid noise pickup and inaccurate regulation. The feedback resistors should be placed as close as possible to the IC, with the GND of R2 placed as close as possible to the GND of the IC. The V_{OUT} trace to R1 should be routed away from the inductor and any other traces that are switching.

High AC currents flow through the V_{IN} , SW and V_{OUT} traces, so they should be as short and wide as possible. However, making the traces wide increases radiated noise, so the designer must make this trade-off. Radiated noise can be decreased by choosing a shielded inductor.

The remaining components should also be placed as close as possible to the IC. Please see Application Note AN-1229 for further considerations and the LM2736 demo board as an example of a four-layer layout.

LM2736X Circuit Examples



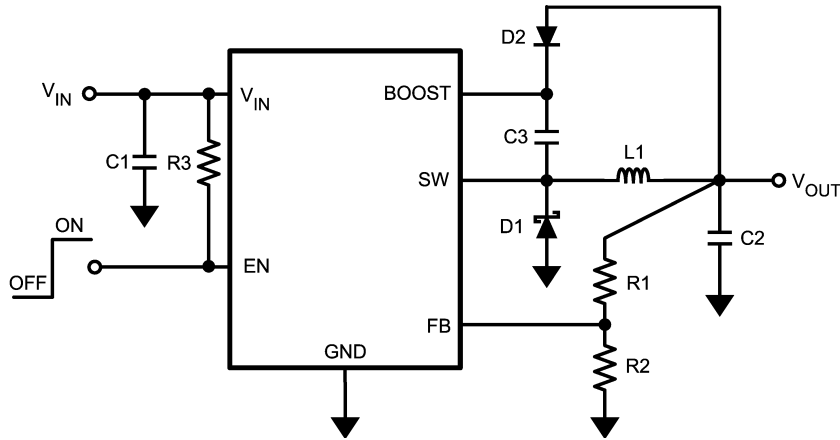
20124242

FIGURE 6. LM2736X (1.6MHz)
 V_{BOOST} Derived from V_{IN}
 5V to 1.5V/750mA

Bill of Materials for Figure 6

Part ID	Part Value	Part Number	Manufacturer
U1	750mA Buck Regulator	LM2736X	National Semiconductor
C1, Input Cap	10µF, 6.3V, X5R	C3216X5ROJ106M	TDK
C2, Output Cap	10µF, 6.3V, X5R	C3216X5ROJ106M	TDK
C3, Boost Cap	0.01µF, 16V, X7R	C1005X7R1C103K	TDK
D1, Catch Diode	0.3V _F Schottky 1A, 10VR	MBRM110L	ON Semi
D2, Boost Diode	1V _F @ 50mA Diode	1N4148W	Diodes, Inc.
L1	4.7µH, 1.7A,	VLCF4020T- 4R7N1R2	TDK
R1	2kΩ, 1%	CRCW06032001F	Vishay
R2	10kΩ, 1%	CRCW06031002F	Vishay
R3	100kΩ, 1%	CRCW06031003F	Vishay

LM2736X Circuit Examples (Continued)



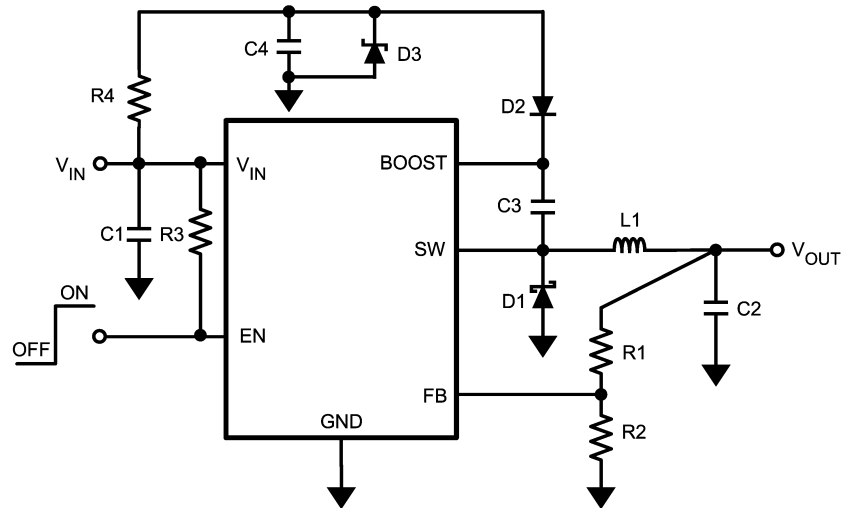
20124243

FIGURE 7. LM2736X (1.6MHz)
 V_{BOOST} Derived from V_{OUT}
 12V to 3.3V/750mA

Bill of Materials for Figure 7

Part ID	Part Value	Part Number	Manufacturer
U1	750mA Buck Regulator	LM2736X	National Semiconductor
C1, Input Cap	10µF, 25V, X7R	C3225X7R1E106M	TDK
C2, Output Cap	22µF, 6.3V, X5R	C3216X5ROJ226M	TDK
C3, Boost Cap	0.01µF, 16V, X7R	C1005X7R1C103K	TDK
D1, Catch Diode	0.34V _F Schottky 1A, 30VR	SS1P3L	Vishay
D2, Boost Diode	0.6V _F @ 30mA Diode	BAT17	Vishay
L1	4.7µH, 1.7A,	VLCF4020T- 4R7N1R2	TDK
R1	16.5kΩ, 1%	CRCW06031652F	Vishay
R2	10.0 kΩ, 1%	CRCW06031002F	Vishay
R3	100kΩ, 1%	CRCW06031003F	Vishay

LM2736X Circuit Examples (Continued)



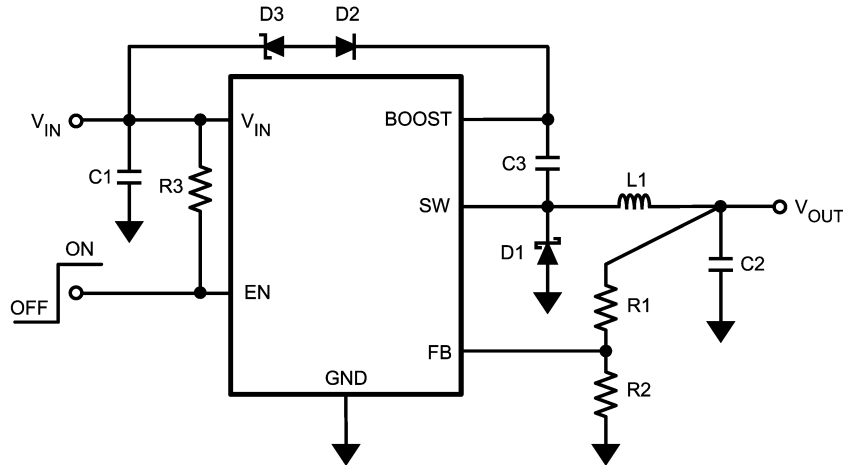
20124244

FIGURE 8. LM2736X (1.6MHz)
 V_{BOOST} Derived from V_{SHUNT}
 18V to 1.5V/750mA

Bill of Materials for Figure 8

Part ID	Part Value	Part Number	Manufacturer
U1	750mA Buck Regulator	LM2736X	National Semiconductor
C1, Input Cap	10 μ F, 25V, X7R	C3225X7R1E106M	TDK
C2, Output Cap	22 μ F, 6.3V, X5R	C3216X5ROJ226M	TDK
C3, Boost Cap	0.01 μ F, 16V, X7R	C1005X7R1C103K	TDK
C4, Shunt Cap	0.1 μ F, 6.3V, X5R	C1005X5R0J104K	TDK
D1, Catch Diode	0.4V _F Schottky 1A, 30VR	SS1P3L	Vishay
D2, Boost Diode	1V _F @ 50mA Diode	1N4148W	Diodes, Inc.
D3, Zener Diode	5.1V 250Mw SOT-23	BZX84C5V1	Vishay
L1	6.8 μ H, 1.6A,	SLF7032T-6R8M1R6	TDK
R1	2k Ω , 1%	CRCW06032001F	Vishay
R2	10k Ω , 1%	CRCW06031002F	Vishay
R3	100k Ω , 1%	CRCW06031003F	Vishay
R4	4.12k Ω , 1%	CRCW06034121F	Vishay

LM2736X Circuit Examples (Continued)



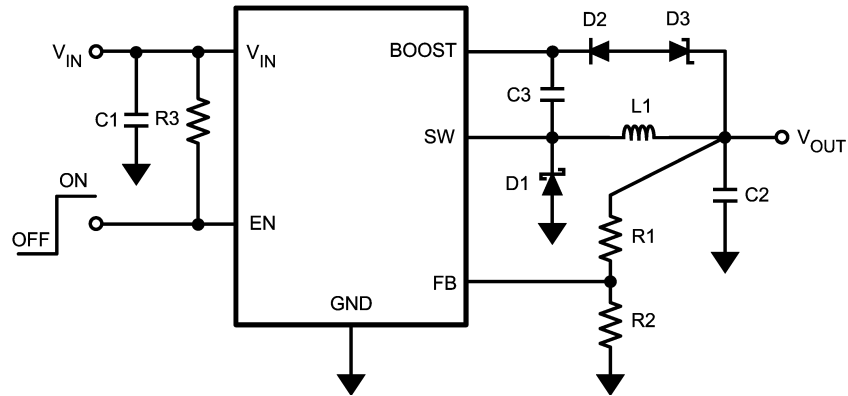
20124249

FIGURE 9. LM2736X (1.6MHz)
 V_{BOOST} Derived from Series Zener Diode (V_{IN})
 15V to 1.5V/750mA

Bill of Materials for Figure 9

Part ID	Part Value	Part Number	Manufacturer
U1	750mA Buck Regulator	LM2736X	National Semiconductor
C1, Input Cap	10µF, 25V, X7R	C3225X7R1E106M	TDK
C2, Output Cap	22µF, 6.3V, X5R	C3216X5ROJ226M	TDK
C3, Boost Cap	0.01µF, 16V, X7R	C1005X7R1C103K	TDK
D1, Catch Diode	0.4V _F Schottky 1A, 30VR	SS1P3L	Vishay
D2, Boost Diode	1V _F @ 50mA Diode	1N4148W	Diodes, Inc.
D3, Zener Diode	11V 350Mw SOT-23	BZX84C11T	Diodes, Inc.
L1	6.8µH, 1.6A,	SLF7032T-6R8M1R6	TDK
R1	2kΩ, 1%	CRCW06032001F	Vishay
R2	10kΩ, 1%	CRCW06031002F	Vishay
R3	100kΩ, 1%	CRCW06031003F	Vishay

LM2736X Circuit Examples (Continued)



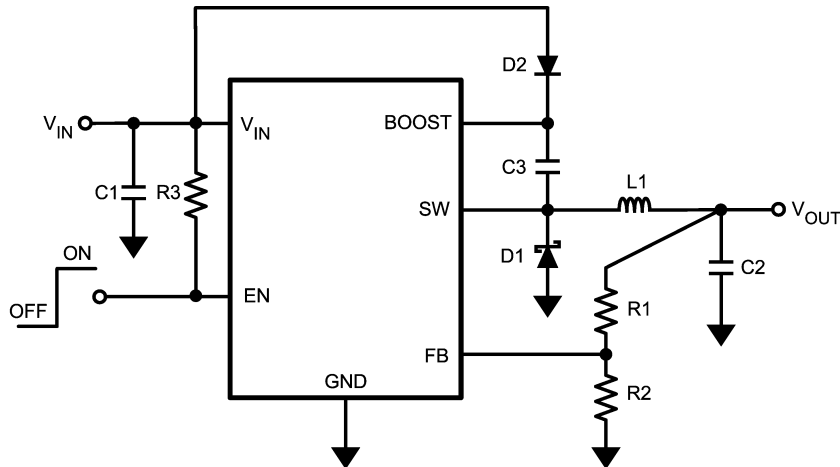
20124250

FIGURE 10. LM2736X (1.6MHz)
 V_{BOOST} Derived from Series Zener Diode (V_{OUT})
 15V to 9V/750mA

Bill of Materials for Figure 10

Part ID	Part Value	Part Number	Manufacturer
U1	750mA Buck Regulator	LM2736X	National Semiconductor
C1, Input Cap	10µF, 25V, X7R	C3225X7R1E106M	TDK
C2, Output Cap	22µF, 16V, X5R	C3216X5R1C226M	TDK
C3, Boost Cap	0.01µF, 16V, X7R	C1005X7R1C103K	TDK
D1, Catch Diode	0.4V _F Schottky 1A, 30VR	SS1P3L	Vishay
D2, Boost Diode	1V _F @ 50mA Diode	1N4148W	Diodes, Inc.
D3, Zener Diode	4.3V 350mw SOT-23	BZX84C4V3	Diodes, Inc.
L1	6.8µH, 1.6A,	SLF7032T-6R8M1R6	TDK
R1	61.9kΩ, 1%	CRCW06036192F	Vishay
R2	10kΩ, 1%	CRCW06031002F	Vishay
R3	100kΩ, 1%	CRCW06031003F	Vishay

LM2736Y Circuit Examples



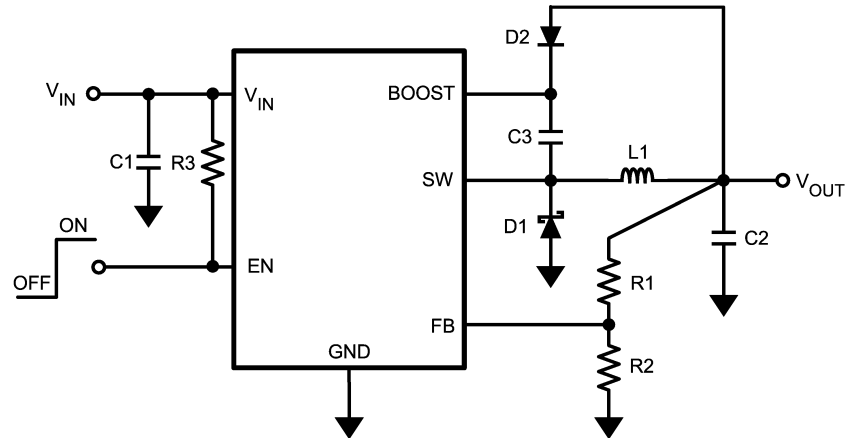
20124242

FIGURE 11. LM2736Y (550kHz)
 V_{BOOST} Derived from V_{IN}
 5V to 1.5V/750mA

Bill of Materials for Figure 11

Part ID	Part Value	Part Number	Manufacturer
U1	750mA Buck Regulator	LM2736Y	National Semiconductor
C1, Input Cap	10 μ F, 6.3V, X5R	C3216X5ROJ106M	TDK
C2, Output Cap	22 μ F, 6.3V, X5R	C3216X5ROJ226M	TDK
C3, Boost Cap	0.01 μ F, 16V, X7R	C1005X7R1C103K	TDK
D1, Catch Diode	0.3V _F Schottky 1A, 10VR	MBRM110L	ON Semi
D2, Boost Diode	1V _F @ 50mA Diode	1N4148W	Diodes, Inc.
L1	10 μ H, 1.6A,	SLF7032T-100M1R4	TDK
R1	2k Ω , 1%	CRCW06032001F	Vishay
R2	10k Ω , 1%	CRCW06031002F	Vishay
R3	100k Ω , 1%	CRCW06031003F	Vishay

LM2736Y Circuit Examples (Continued)



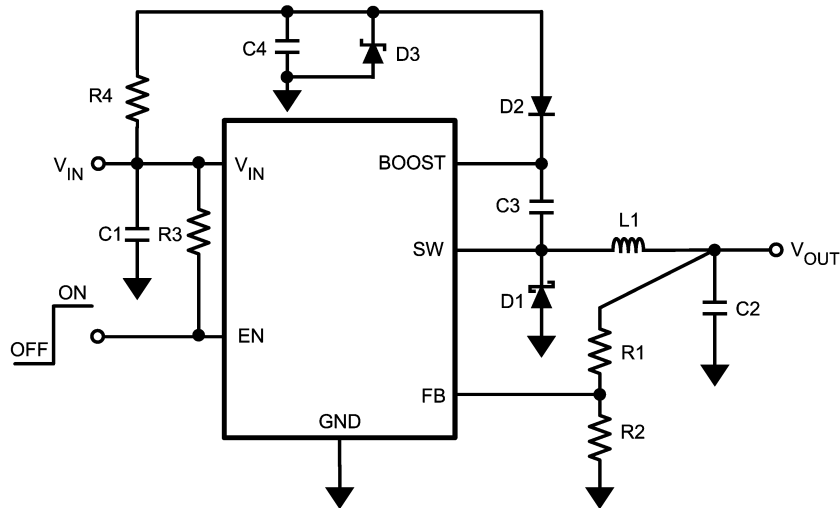
20124243

FIGURE 12. LM2736Y (550kHz)
 V_{BOOST} Derived from V_{OUT}
 12V to 3.3V/750mA

Bill of Materials for Figure 12

Part ID	Part Value	Part Number	Manufacturer
U1	750mA Buck Regulator	LM2736Y	National Semiconductor
C1, Input Cap	10µF, 25V, X7R	C3225X7R1E106M	TDK
C2, Output Cap	22µF, 6.3V, X5R	C3216X5ROJ226M	TDK
C3, Boost Cap	0.01µF, 16V, X7R	C1005X7R1C103K	TDK
D1, Catch Diode	0.34V _F Schottky 1A, 30VR	SS1P3L	Vishay
D2, Boost Diode	0.6V _F @ 30mA Diode	BAT17	Vishay
L1	10µH, 1.6A,	SLF7032T-100M1R4	TDK
R1	16.5kΩ, 1%	CRCW06031652F	Vishay
R2	10.0 kΩ, 1%	CRCW06031002F	Vishay
R3	100kΩ, 1%	CRCW06031003F	Vishay

LM2736Y Circuit Examples (Continued)



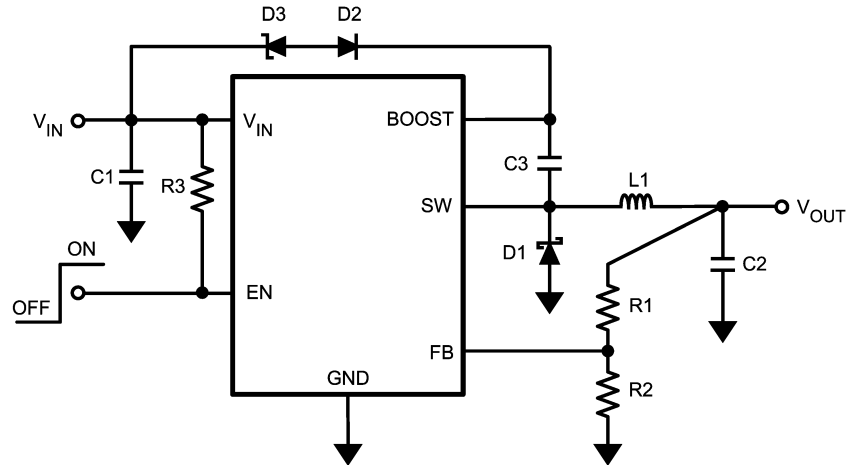
20124244

FIGURE 13. LM2736Y (550kHz)
 V_{BOOST} Derived from V_{SHUNT}
 18V to 1.5V/750mA

Bill of Materials for Figure 13

Part ID	Part Value	Part Number	Manufacturer
U1	750mA Buck Regulator	LM2736Y	National Semiconductor
C1, Input Cap	10 μ F, 25V, X7R	C3225X7R1E106M	TDK
C2, Output Cap	22 μ F, 6.3V, X5R	C3216X5ROJ226M	TDK
C3, Boost Cap	0.01 μ F, 16V, X7R	C1005X7R1C103K	TDK
C4, Shunt Cap	0.1 μ F, 6.3V, X5R	C1005X5R0J104K	TDK
D1, Catch Diode	0.4V _F Schottky 1A, 30VR	SS1P3L	Vishay
D2, Boost Diode	1V _F @ 50mA Diode	1N4148W	Diodes, Inc.
D3, Zener Diode	5.1V 250Mw SOT-23	BZX84C5V1	Vishay
L1	15 μ H, 1.5A	SLF7045T-150M1R5	TDK
R1	2k Ω , 1%	CRCW06032001F	Vishay
R2	10k Ω , 1%	CRCW06031002F	Vishay
R3	100k Ω , 1%	CRCW06031003F	Vishay
R4	4.12k Ω , 1%	CRCW06034121F	Vishay

LM2736Y Circuit Examples (Continued)



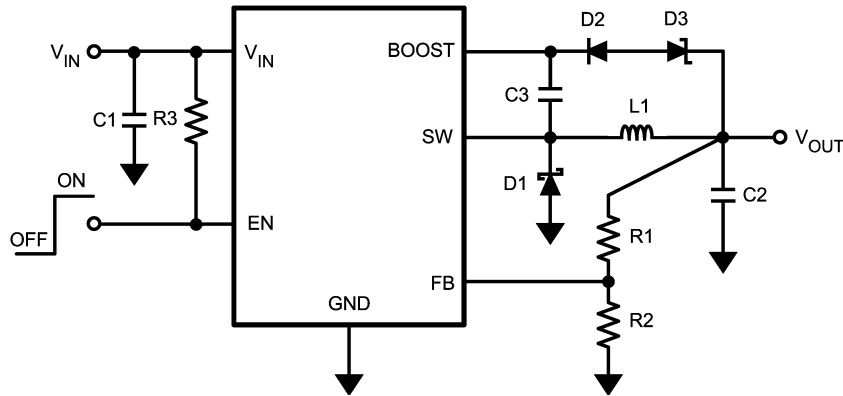
20124249

FIGURE 14. LM2736Y (50kHz)
 V_{BOOST} Derived from Series Zener Diode (V_{IN})
 15V to 1.5V/750mA

Bill of Materials for Figure 14

Part ID	Part Value	Part Number	Manufacturer
U1	750mA Buck Regulator	LM2736Y	National Semiconductor
C1, Input Cap	10µF, 25V, X7R	C3225X7R1E106M	TDK
C2, Output Cap	22µF, 6.3V, X5R	C3216X5ROJ226M	TDK
C3, Boost Cap	0.01µF, 16V, X7R	C1005X7R1C103K	TDK
D1, Catch Diode	0.4V _F Schottky 1A, 30VR	SS1P3L	Vishay
D2, Boost Diode	1V _F @ 50mA Diode	1N4148W	Diodes, Inc.
D3, Zener Diode	11V 350Mw SOT-23	BZX84C11T	Diodes, Inc.
L1	15µH, 1.5A,	SLF7045T-150M1R5	TDK
R1	2kΩ, 1%	CRCW06032001F	Vishay
R2	10kΩ, 1%	CRCW06031002F	Vishay
R3	100kΩ, 1%	CRCW06031003F	Vishay

LM2736Y Circuit Examples (Continued)



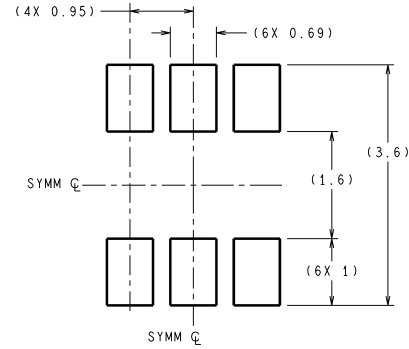
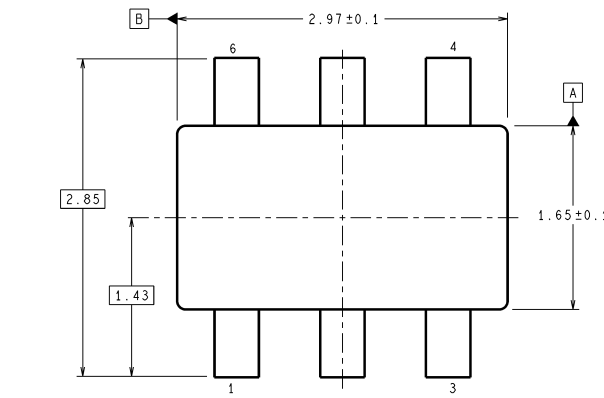
20124250

FIGURE 15. LM2736Y (550kHz)
 V_{BOOST} Derived from Series Zener Diode (V_{OUT})
 15V to 9V/750mA

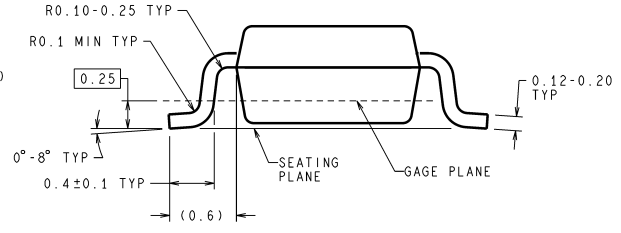
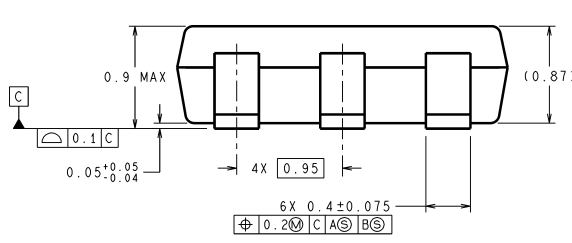
Bill of Materials for Figure 15

Part ID	Part Value	Part Number	Manufacturer
U1	750mA Buck Regulator	LM2736Y	National Semiconductor
C1, Input Cap	10µF, 25V, X7R	C3225X7R1E106M	TDK
C2, Output Cap	22µF, 16V, X5R	C3216X5R1C226M	TDK
C3, Boost Cap	0.01µF, 16V, X7R	C1005X7R1C103K	TDK
D1, Catch Diode	0.4V _F Schottky 1A, 30VR	SS1P3L	Vishay
D2, Boost Diode	1V _F @ 50mA Diode	1N4148W	Diodes, Inc.
D3, Zener Diode	4.3V 350mw SOT-23	BZX84C4V3	Diodes, Inc.
L1	22µH, 1.4A,	SLF7045T-220M1R3-1PF	TDK
R1	61.9kΩ, 1%	CRCW06036192F	Vishay
R2	10kΩ, 1%	CRCW06031002F	Vishay
R3	100kΩ, 1%	CRCW06031003F	Vishay

Physical Dimensions inches (millimeters) unless otherwise noted



RECOMMENDED LAND PATTERN



DIMENSIONS ARE IN MILLIMETERS

MK06A (Rev C)

**6-Lead TSOT Package
NS Package Number MK06A**

National does not assume any responsibility for use of any circuitry described, no circuit patent licenses are implied and National reserves the right at any time without notice to change said circuitry and specifications.

For the most current product information visit us at www.national.com.

LIFE SUPPORT POLICY

NATIONAL'S PRODUCTS ARE NOT AUTHORIZED FOR USE AS CRITICAL COMPONENTS IN LIFE SUPPORT DEVICES OR SYSTEMS WITHOUT THE EXPRESS WRITTEN APPROVAL OF THE PRESIDENT AND GENERAL COUNSEL OF NATIONAL SEMICONDUCTOR CORPORATION. As used herein:

1. Life support devices or systems are devices or systems which, (a) are intended for surgical implant into the body, or (b) support or sustain life, and whose failure to perform when properly used in accordance with instructions for use provided in the labeling, can be reasonably expected to result in a significant injury to the user.
2. A critical component is any component of a life support device or system whose failure to perform can be reasonably expected to cause the failure of the life support device or system, or to affect its safety or effectiveness.

BANNED SUBSTANCE COMPLIANCE

National Semiconductor certifies that the products and packing materials meet the provisions of the Customer Products Stewardship Specification (CSP-9-111C2) and the Banned Substances and Materials of Interest Specification (CSP-9-111S2) and contain no "Banned Substances" as defined in CSP-9-111S2.

National Semiconductor
Americas Customer Support Center
Email: new.feedback@nsc.com
Tel: 1-800-272-9959

National Semiconductor
Europe Customer Support Center
Fax: +49 (0) 180-530 85 86
Email: europa.support@nsc.com
Deutsch Tel: +49 (0) 69 9508 6208
English Tel: +44 (0) 870 24 0 2171
Français Tel: +33 (0) 1 41 91 8790

National Semiconductor
Asia Pacific Customer Support Center
Email: ap.support@nsc.com

National Semiconductor
Japan Customer Support Center
Fax: 81-3-5639-7507
Email: jpn.feedback@nsc.com
Tel: 81-3-5639-7560

www.national.com