

TENTATIVE

TOSHIBA BI-CMOS INTEGRATED CIRCUIT SILICON MONOLITHIC

T B 6 2 7 1 6 F

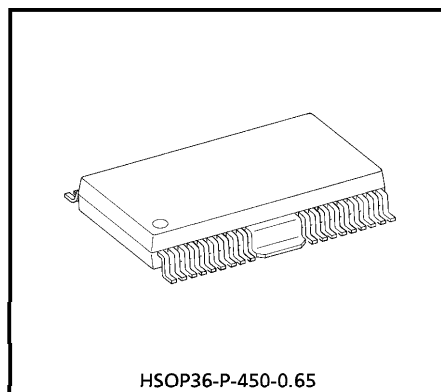
16 BIT SHIFT REGISTER, LATCHES & CONSTANT CURRENT DRIVERS

The TB62716F is specifically designed for LED and LED DISPLAY constant current drivers.

This constant current output circuits is able to set up external resistor ($I_{OUT} = 5\sim 150\text{ mA}$).

This IC is monolithic integrated circuit designed to be used together with Bi-CMOS process.

The devices consist of 16 bit shift register, latch, AND-GATE and Constant Current Drivers.



Weight : 1.22 g (Typ.)

FEATURES

- Constant Current Output : Can set up all output current with one resistor for 5 to 150 mA.
- Constant Output Current Matching :

HIGH / LOW	OUTPUT-GND VOLTAGE	CURRENT MATCHING (BIT)	CURRENT MATCHING (LOT)	OUTPUT CURRENT (MAX.)
"L"	$\geq 0.7\text{ V}$	$\pm 6.0\%$	$\pm 15.0\%$	2~70 mA
"H"	$\geq 1.0\text{ V}$	$\pm 6.0\%$	$\pm 15.0\%$	50~150 mA

- Maximum Clock Frequency : $f_{CLK} = 15\text{ MHz}$ (Cascade Connected Operate, $T_{opr} = 25^\circ\text{C}$)
- 5 V C-MOS Compatible Input
- Package : HSOP36-P-375-0.80~0.8mmPitch~

980910EBA1

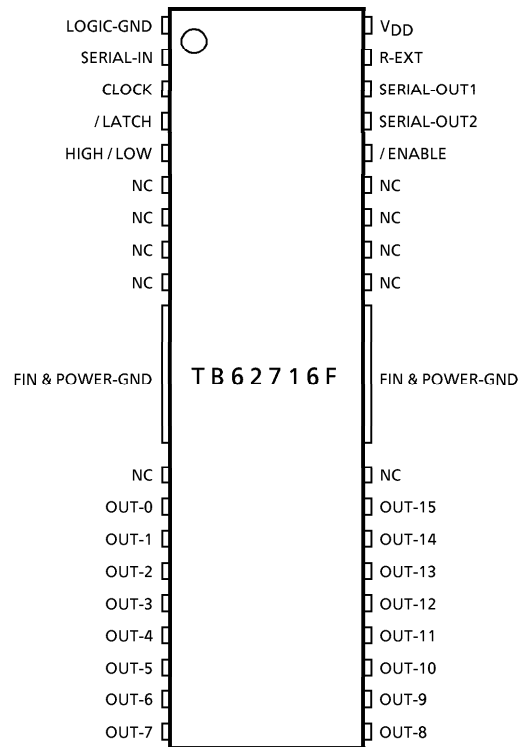
● TOSHIBA is continually working to improve the quality and the reliability of its products. Nevertheless, semiconductor devices in general can malfunction or fail due to their inherent electrical sensitivity and vulnerability to physical stress. It is the responsibility of the buyer, when utilizing TOSHIBA products, to observe standards of safety, and to avoid situations in which a malfunction or failure of a TOSHIBA product could cause loss of human life, bodily injury or damage to property. In developing your designs, please ensure that TOSHIBA products are used within specified operating ranges as set forth in the most recent products specifications. Also, please keep in mind the precautions and conditions set forth in the TOSHIBA Semiconductor Reliability Handbook.

● The products described in this document are subject to the foreign exchange and foreign trade laws.

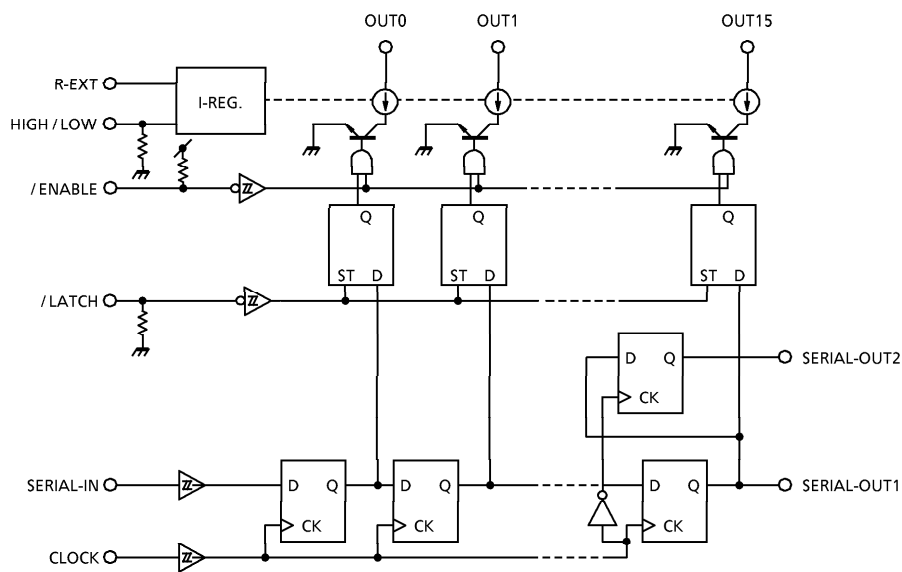
● The information contained herein is presented only as a guide for the applications of our products. No responsibility is assumed by TOSHIBA CORPORATION for any infringements of intellectual property or other rights of the third parties which may result from its use. No license is granted by implication or otherwise under any intellectual property or other rights of TOSHIBA CORPORATION or others.

● The information contained herein is subject to change without notice.

PIN CONNECTION (Top view)



BLOCK DIAGRAM



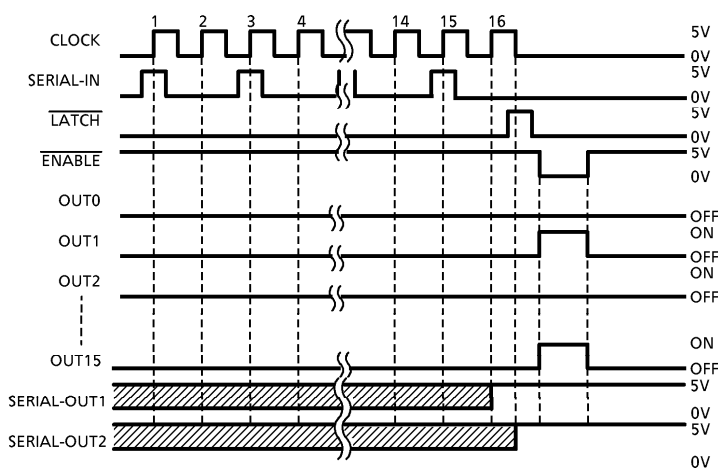
TRUTH TABLE

CLOCK	LATCH	ENABLE	SERIAL-IN	OUT0 ... OUT5 ... OUT7	SERIAL-OUT
UP	H	L	D_n	$D_n \dots D_{n-7} \dots D_{n-15}$	D_{n-15}
UP	L	L	D_{n+1}	No Change	D_{n-14}
UP	H	L	D_{n+2}	$D_{n+2} \dots D_{n-5} \dots D_{n-13}$	D_{n-13}
DOWN	X	L	D_{n+3}	$D_{n+2} \dots D_{n-5} \dots D_{n-13}$	D_{n-13}
DOWN	X	H	D_{n+3}	Off	D_{n-13}

(Note) $OUT0 \sim 15 = \text{on}$ in case of $D_n = \text{H}$ level and $OUT0 \sim 15 = \text{off}$ in case of $D_n = \text{L}$ level.

A resistor is connected with R-EXT and GND accompanied with outside, and it is necessary that a correct power supply voltage is supplied.

TIMING DIAGRAM



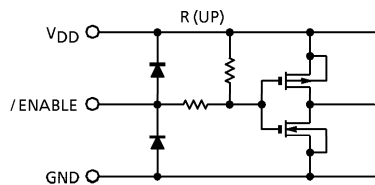
(Note) Latches are level sensitive, not rising edge sensitive and not synchronous CLOCK.
 Input of LATCH-terminal to H level, data passes latches, and input to L level, data hold latches.
 Input of ENABLE-terminal to H level, all output ($OUT0 \sim 15$) do off.

TERMINAL DISCIPTION

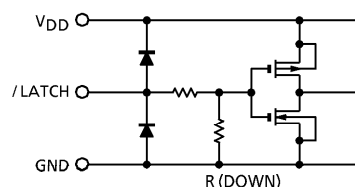
PIN No.	PIN NAME	FUNCTION
5	HIGH / LOW	It is the terminal which does switching for the big current / low current.
FIN	POWER-GND	GND terminal for current output.
1	LOGIC-GND	GND terminal for control logic.
2	SERIAL-IN	Input terminal of a serial-data shift-register.
3	CLOCK	Input terminal of a clock for data shift to up-edge.
4	/ LATCH	Input terminal of a data strobe. Latches passes data with "H" level input of LATCH-terminal, and hold data with "L" level input.
11~18 19~26	OUT0~15	Output terminals.
32	/ ENABLE	Input terminal of output enable. All outputs (OUT0~7) do off with "H" level input of ENABLE-termnal, and do on with "L" level input.
34	SERIAL-OUT	Output terminal of a serial-data for next SERIAL-IN terminal.
35	R-EXT	Input terminal of connects with a resistor for to set up all output current.
36	VDD	5 V Supply voltage terminal.

EQUIVALENT CIRCUIT OF INPUTS AND OUTPUTS

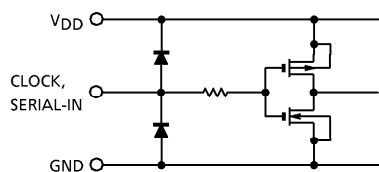
1. ENABLE terminal



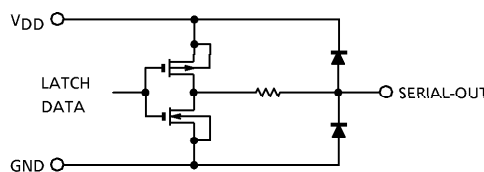
2. LATCH terminal



3. CLOCK, SERIAL-IN terminal



4. SERIAL-OUT terminal



MAXIMUM RATINGS (Ta = 25°C)

CHARACTERISTIC	SYMBOL	RATING	UNIT
Supply Voltage	V _{DD}	0~7.0	V
Input Voltage	V _{IN}	-0.4~V _{DD} + 0.4	V
Output Current	I _{OUT}	+ 150 (HIGH / LOW = "H")	mA / ch
		+ 70 (HIGH / LOW = "L")	
Output Voltage	V _{OUT}	-0.5~17.0	V
Clock Frequency	f _{CLK}	15	MHz
GND Terminal Current	I _{GND}	1200	mA
Power Dissipation	PD1	1.08 (FREE AIR, Ta = 25°C)	W
	PD2	1.92 (ON PCB, Ta = 25°C)	
Thermal Resistance	R _{th} (j-a)	120 (Free Air) / 65 (On PCB)	°C / W
	R _{th} (j-c)	12	
Operating Temperature	T _{opr}	-40~+85	°C
Storage Temperature	T _{stg}	-55~+150	°C

(Note) Ambient temperature delated above 25°C in the proportion of 15.4 mW/°C (On PCB)

RECOMMENDED OPERATING CONDITION (Ta = 25°C unless otherwise noted)

CHARACTERISTIC	SYMBOL	CONDITION	MIN.	TYP.	MAX.	UNIT
Supply Voltage	V _{DD}	—	4.5	5.0	5.5	V
Output Voltage	V _{OUT}	—	—	—	15.0	V
Output Current	I _{OUT1}	DC 1 circuit (HIGH / LOW = "H")	50	—	130	mA
	I _{OUT2}	DC 1 circuit (HIGH / LOW = "L")	2	—	60	
	I _{OH}	SERIAL-OUT1, 2	—	—	-1.0	mA
	I _{OL}	SERIAL-OUT1, 2	—	—	1.0	
Input Voltage	V _{IH}	V _{DD} = 4.5~5.5 V	0.7 V _{DD}	—	V _{DD} + 0.3	V
	V _{IL}		-0.3	—	0.3 V _{DD}	
LATCH Pulse Width	t _w / LATCH		100	—	—	ns
CLOCK Pulse Width	t _w CLOCK		50	—	—	
ENABLE Pulse Width	t _w / ENABLE		1000	—	—	
Set-up Time for DATA	t _{setup} (D)		60	—	—	
Hold Time for DATA	t _{hold} (D)		20	—	—	
Set-up Time for LATCH	t _{setup} (L)		100	—	—	
Hold Time for ENABLE	t _{hold} (L)		60	—	—	
Clock Frequency	f _{CLK}		Cascade operation	10.0	—	
Power Dissipation	PD	Ta = 85°C (FN-type On PCB)	—	—	1.00	W

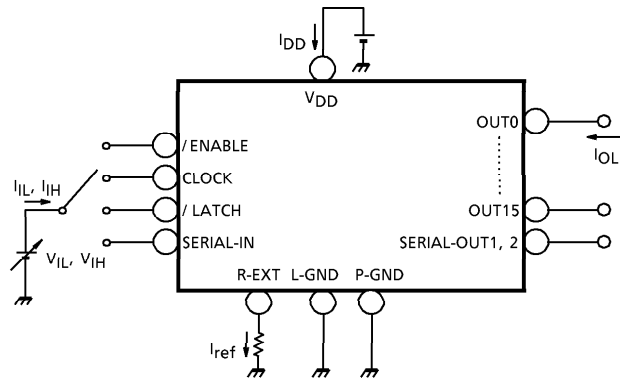
ELECTRICAL CHARACTERISTICS (Ta = 25°C unless otherwise noted)

CHARACTERISTIC		SYMBOL	TEST CIR-CUIT	CONDITION	MIN.	TYP.	MAX.	UNIT	
Input Voltage	"H" level	V _{IH}	1	—	0.7 V _{DD}	—	V _{DD}	V	
	"L" level	V _{IL}		—	GND	—	0.3 V _{DD}		
Output Leakage Current		I _{OH}		V _{OH} = 15.0 V	—	—	10	μA	
Output Voltage	SERIAL	V _{OL}		I _{OL} = +1.0 mA	—	—	0.4	V	
	-OUT1, 2	V _{OH}		I _{OH} = -1.0 mA	4.6	—	—		
Output Current 1		I _{OL1}		V _{OUT} = 0.7 V	R _{EXT} = 520 Ω, HIGH / LOW = "L"	34.3	40.3	46.8	mA
Current Skew		ΔI _{OL1}			—	± 1.5	± 6.0	%	
Output Current 2		I _{OL2}		V _{OUT} = 1.0 V	R _{EXT} = 160 Ω, HIGH / LOW = "H"	107.1	126.0	144.9	mA
Current Skew		ΔI _{OL2}			—	± 1.5	± 6.0	%	
Supply Voltage Regulation		% / V _{DD}		Ta = -40~85°C	—	1.5	5.0	% / V	
Pull-up Resistor		R _{IN} (up)		—	100	200	400	kΩ	
Pull-down Resistor		R _{IN} (down)		—	100	200	400	kΩ	
Supply Current	"OFF"	I _{DD} (off) 1		R _{EXT} = OPEN, OUT0~8 = off	—	1.0	2.0	mA	
		I _{DD} (off) 2		R _{EXT} = 500 Ω, OUT0~8 = off	7.0	12.0	16.0		
		I _{DD} (off) 3		R _{EXT} = 160 Ω, OUT0~8 = off	13.0	20.0	30.0		
	"ON"	I _{DD} (on) 1	R _{EXT} = 500 Ω, OUT0~8 = on	—	23.1	40.5			
		I _{DD} (on) 2	R _{EXT} = 160 Ω, OUT0~8 = on	—	33.0	62.1			

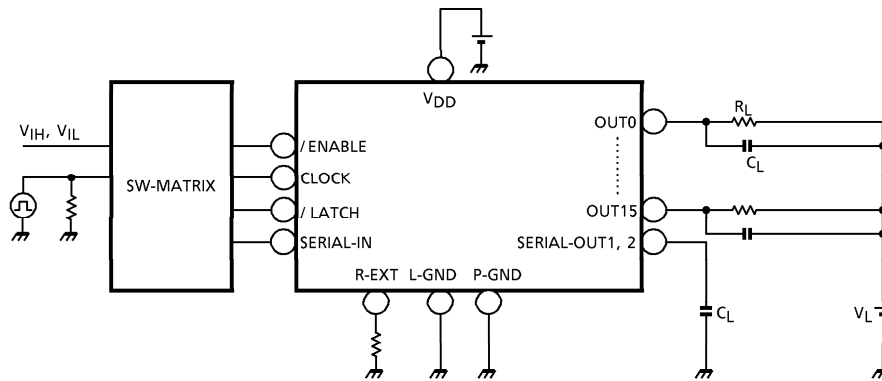
SWITCHING CHARACTERISTICS (Ta = 25°C unless otherwise noted)

CHARACTERISTIC		SYMBOL	TEST CIR-CUIT	CONDITION	MIN.	TYP.	MAX.	UNIT
Propagation Delay Time ("L" to "H")	CLK-OUTn	t _{pLH}	—	V _{DD} = 5.0 V V _{CE} = 1.0 V V _{IH} = V _{DD} V _{IL} = GND R _{EXT} = 160 Ω, I _{OUT} = 126 mA, V _L = 3.0 V R _L = 32 Ω C _L = 10.5 pF t _{or} : 10% to 90% t _{of} : 90% to 10% t _{pLH} : 50% to 10% t _{pHL} : 50% to 90%	—	500	1000	ns
	LATCH-OUTn				—	500	1000	
	ENABLE-OUTn				—	500	1000	
	CLK-SOUT				—	30	70	
Propagation Delay Time ("H" to "L")	SIN-OUTn	t _{pHL}	—		—	500	1000	ns
	LATCH-OUTn				—	500	1000	
	ENABLE-OUTn				—	500	1000	
	CLK-SOUT				—	30	70	
Pulse Width	CLK	t _w CLK, CLK	—		—	20	30	ns
	LATCH	t _w LAT, LAT	—		—	10	25	ns
Set-up Time for LATCH / SIN	L-H	t _{setup} LAT / SIN	—		—	25	50	ns
	H-L				—	25	50	ns
Hold Time for LATCH / SIN	L-H	t _{hold} LAT / SIN	—		—	0	15	ns
	H-L				—	0	15	ns
Maximum CLOCK Rise Time		t _r	—		—	—	10	μs
Maximum CLOCK Fall Time		t _f	—	—	—	10		
Output Rise Time		t _{or}	—	300	600	1000	ns	
Output Fall Time		t _{of}	—	300	600	1000		

TEST CIRCUIT
DC CHARACTERISTIC

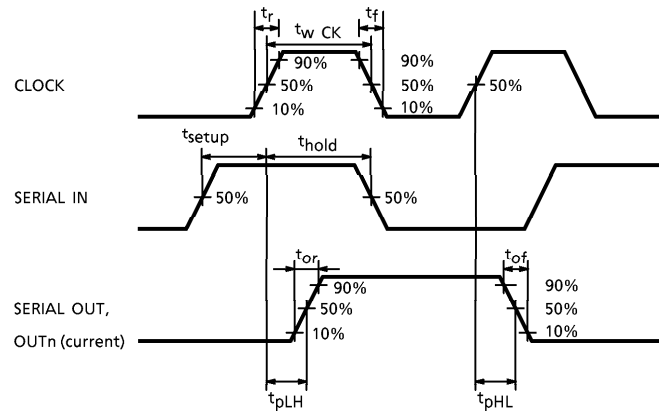


AC CHARACTERISTIC

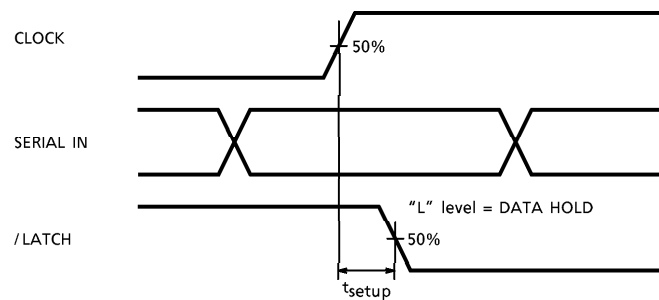


TIMING WAVEFORM

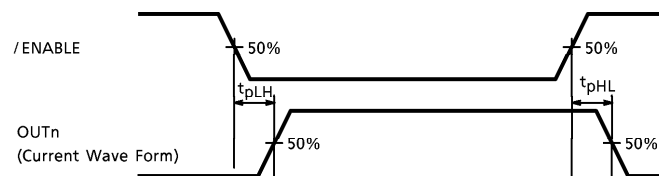
1. CLOCK-SERIAL OUT, OUTn

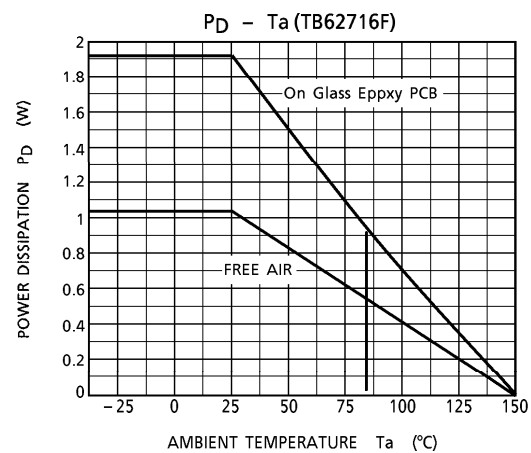
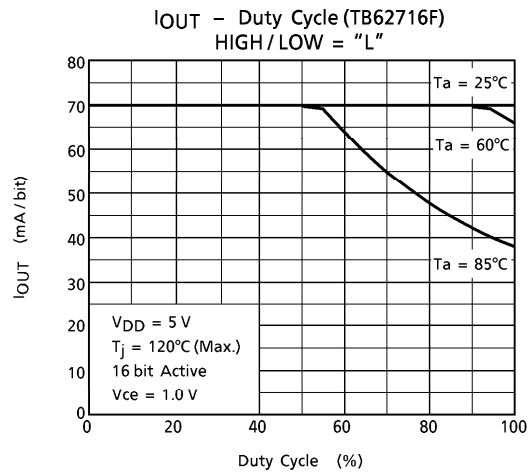
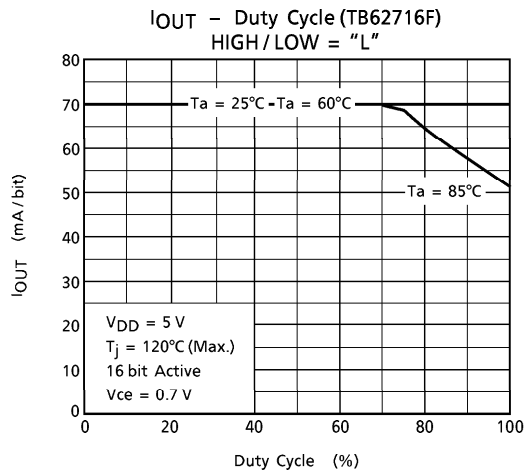
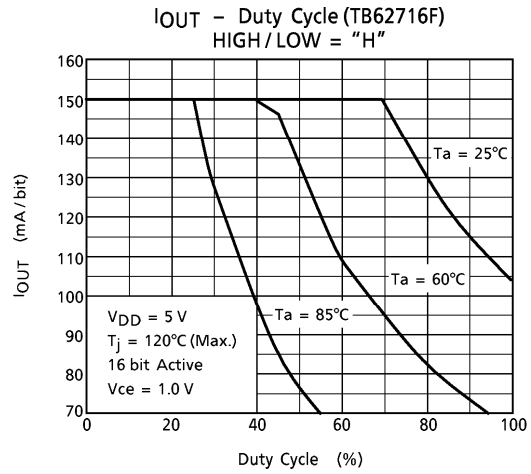
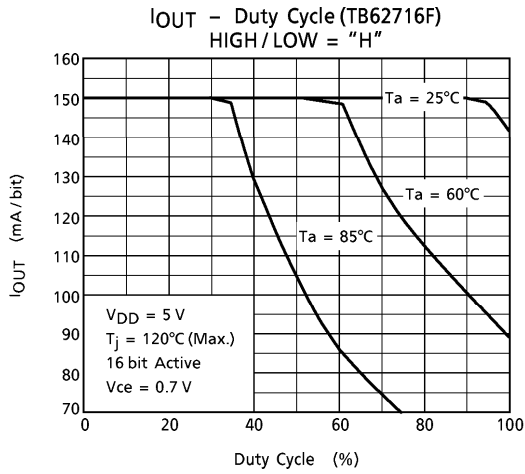


2. CLOCK- / LATCH

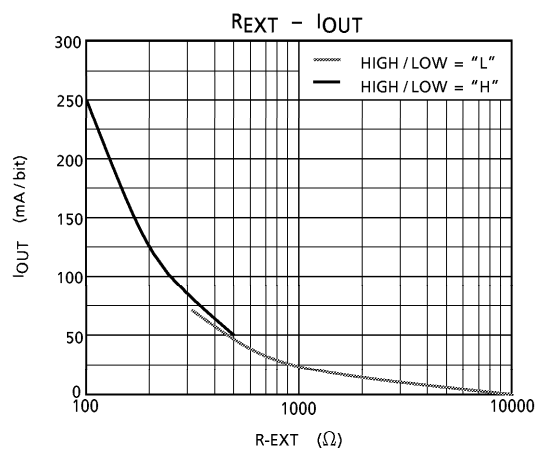
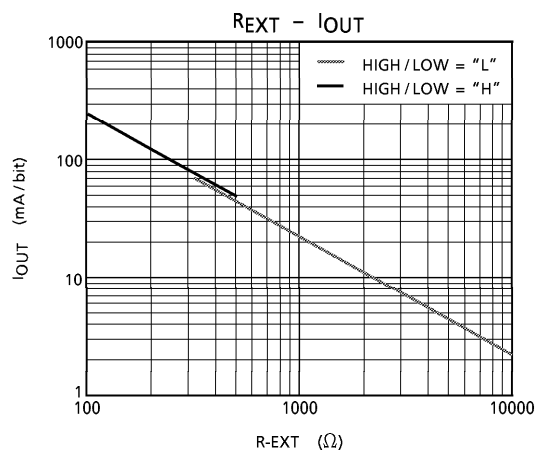


3. ENABLE-OUTn





LED DRIVER TB6270X SERIES APPLICATION NOTE



Total supply voltage (V_{LED})

This device can operate 0.7~1.0 V (V_O).

When a higher voltage is input to the device, the excess voltage is consumed inside the device, that leads to power dissipation.

In order to minimize power dissipation and loss, we would like to recommend to set the total supply voltage as shown below,

$$V_{LED} \text{ (total supply voltage)} = V_{CE} (T_r V_{sat}) + V_f \text{ (LED Forward voltage)} + V_O \text{ (Ic supply voltage)}$$

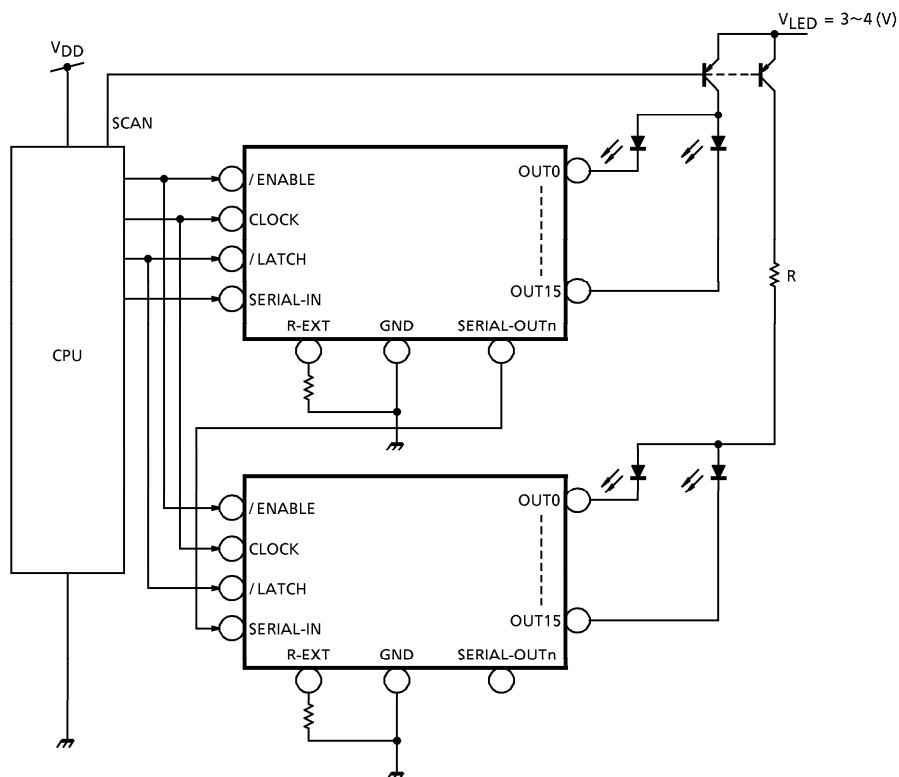
When the total supply is too high considering the power dissipation of this device, an additional R can decrease the supply voltage.

Pattern Layout

This device owns only one ground pin that means signal ground pin and power ground pin are common.

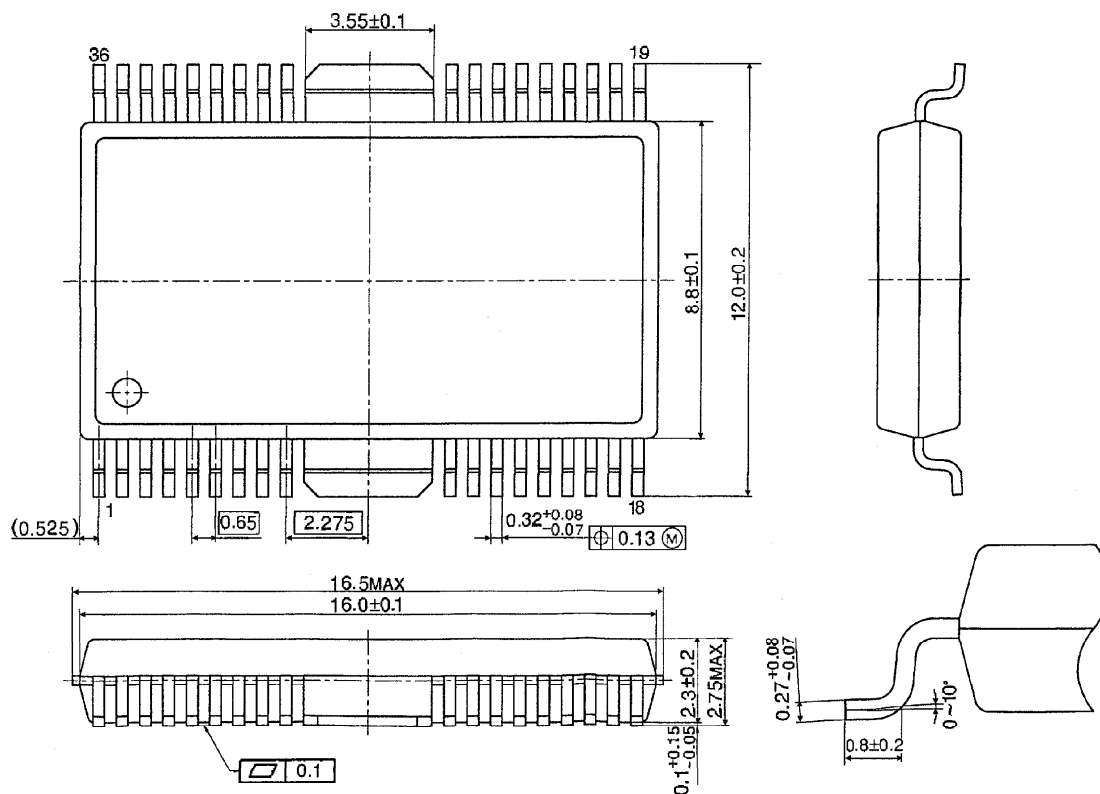
If ground pattern layout contains large inductance and impedance, and the voltage between ground and LATCH, CLOCK terminals exceeds 2.5V by switching noise in operation, this device may miss-operate.

So we would like you to pay attention pattern layout to minimize inductance.



OUTLINE DRAWING
HSOP36-P-450-0.65

Unit : mm



Weight : 1.22 g (Typ.)