

# SSL3321 Shielded Power Inductor



## CHARACTERISTICS

Flat Top for surface mounting.  
High Current SMD, up to 5.60 ADC.

**FLAMABILITY** To UL94V0.

**TEMPERATURE RANGE** -40°C to 85°C.

**SOLDERABILITY** Excellent for IR soldering.

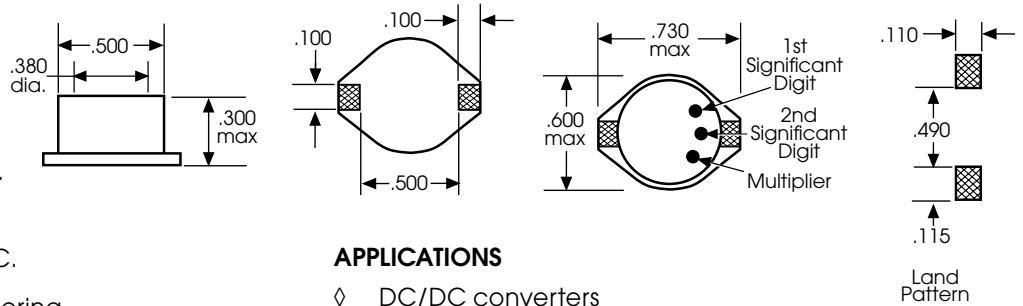
## SHIELDED

**PACKAGING** Tape and Reel only.

## NOTES:

- (1) Inductance measured at 100Khz, 0.10Vrms.
- (2) Temperature range -40°C to 85°C.

**TEST INSTRUMENTS:** HP4291A Impedance / Material Analyzer

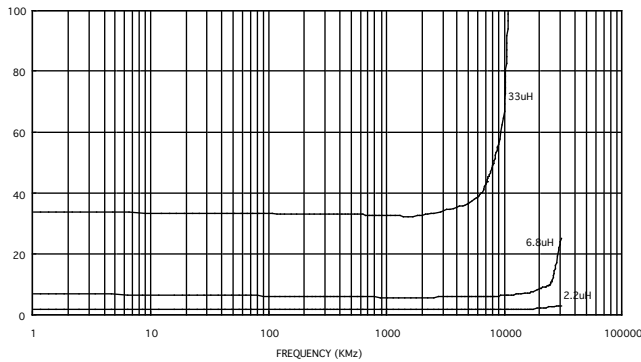


## APPLICATIONS

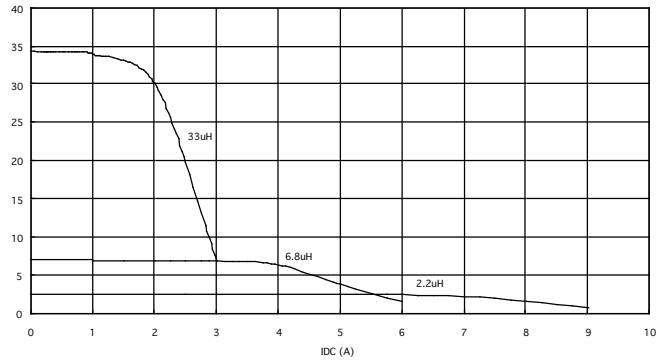
- ◇ DC/DC converters
- ◇ Computers
- ◇ Telecommunications Equipment
- ◇ Filters
- ◇ LCD Display

Inductance tested at 0.1 Vrms, 100kHz.  
Inductance drop 10% typ. at Isat.  
40°C rise typ. at Irms.  
Operating temperature range: 40°C to +85°C

INDUCTANCE vs. FREQUENCY CHARACTERISTICS



INDUCTANCE vs. IDC CHARACTERISTICS



Part Number	Inductance (µH)	Q Min.	Q Frq (MHz)	DCR (Ω) Max	SRF (MHz) min	Isat (A)	Irms (A)
SSL3321-1R0M	1.0	3	100	0.021	110	5.6	5.0
SSL3321-1R5M	1.5	5	100	0.022	90	5.2	4.5
SSL3321-2R2M	2.2	5	100	0.032	60	5.0	3.8
SSL3321-3R3M	3.3	5	100	0.039	55	3.9	3.3
SSL3321-4R7M	4.7	10	100	0.054	30	3.2	2.7
SSL3321-6R8M	6.8	10	100	0.075	30	2.8	2.2
SSL3321-100M	10	10	100	0.101	28	2.4	2.0
SSL3321-150M	15	15	100	0.15	20	2.0	1.5
SSL3321-220M	22	20	100	0.207	15	1.6	1.3
SSL3321-330M	33	20	100	0.334	12	1.4	1.1
SSL3321-470M	47	20	100	0.472	10	1.0	0.8