

DATA SHEET



TDA6402; TDA6402A; TDA6403; TDA6403A

**5 V mixers/oscillators and
synthesizers for cable TV and VCR
2-band tuners**

Product specification
Supersedes data of 1998 Jul 28
File under Integrated Circuits, IC02

2000 Jan 24

5 V mixers/oscillators and synthesizers for cable TV and VCR 2-band tuners

TDA6402; TDA6402A; TDA6403; TDA6403A

FEATURES

- Single-chip 5 V mixer/oscillator and synthesizer for cable TV and VCR tuners
- Synthesizer function compatible with existing TSA5526
- Universal bus protocol (I²C-bus or 3-wire bus)
 - Bus protocol for 18 or 19-bit transmission (3-wire bus)
 - Extra protocol for 27-bit transmission (test modes and features for 3-wire bus)
 - Address + 4 data bytes transmission (I²C-bus 'write' mode)
 - Address + 1 status byte (I²C-bus 'read' mode)
 - 4 independent I²C-bus addresses.
- 1 PNP buffer for UHF band selection (25 mA)
- 3 PNP buffers for general purpose, e.g. 2 VHF sub-bands, FM sound trap (25 mA)
- 33 V tuning voltage output
- In-lock detector
- 5-step A/D converter (3 bits in I²C-bus mode)
- 15-bit programmable divider
- Programmable reference divider ratio (512, 640 or 1024)
- Programmable charge pump current (60 or 280 μ A)
- Programmable automatic charge pump current switch
- Varicap drive disable
- Mixer/oscillator function compatible with existing TDA5732
- Balanced mixer with a common emitter input for VHF (single input)
- Balanced mixer with a common base input for UHF (balanced input)
- 2-pin common emitter oscillator for VHF
- 4-pin common emitter oscillator for UHF
- IF preamplifier with asymmetrical 75 Ω output impedance to drive a low-ohmic impedance (75 Ω)
- Low power
- Low radiation
- Small size
- The TDA6402A and TDA6403A differ from the TDA6402 and TDA6403 by the UHF port protocol in the I²C-bus mode (see Tables 3 and 4).



APPLICATIONS

- Cable tuners for TV and VCR (switched concept for VHF)
- Recommended RF bands for the USA: 55.25 to 133.25 MHz, 139.25 to 361.25 MHz and 367.25 to 801.25 MHz.

GENERAL DESCRIPTION

The TDA6402, TDA6402A, TDA6403 and TDA6403A are programmable 2-band mixers/oscillators and synthesizers intended for VHF/UHF cable tuners (see Fig.1).

The devices include two double balanced mixers and two oscillators for the VHF and UHF band respectively, an IF amplifier and a PLL synthesizer. The VHF band can be split-up into two sub-bands using a proper oscillator application and a switchable inductor. Two pins are available between the mixer output and the IF amplifier input to enable IF filtering for improved signal handling. Four PNP ports are provided. Band selection is provided by using pin PUHF. When PUHF is 'ON', the UHF mixer-oscillator is active and the VHF band is switched off. When PUHF is 'OFF', the VHF mixer-oscillator is active and the UHF band is 'OFF'. PVHFL and PVHFH are used to select the VHF sub-bands. FMST is a general purpose port, that can be used to switch an FM sound trap. When it is used, the sum of the collector currents has to be limited to 30 mA.

The synthesizer consists of a divide-by-eight prescaler, a 15-bit programmable divider, a crystal oscillator and its programmable reference divider and a phase/frequency detector combined with a charge pump which drives the tuning amplifier, including 33 V output (V33) at pin VT.

Depending on the reference divider ratio (512, 640 or 1024), the phase comparator operates at 7.8125 kHz, 6.25 kHz or 3.90625 kHz with a 4 MHz crystal.

5 V mixers/oscillators and synthesizers for cable TV and VCR 2-band tuners

TDA6402; TDA6402A;
TDA6403; TDA6403A

The device can be controlled according to the I²C-bus format or 3-wire bus format depending on the voltage applied to pin SW (see Table 2). In the 3-wire bus mode (SW = HIGH), pin LOCK/ADC is the LOCK output. The LOCK output is LOW when the PLL loop is locked. In the I²C-bus mode (SW = LOW), the lock detector bit FL is set to logic 1 when the loop is locked and is read on the SDA line (Status Byte; SB) during a READ operation in I²C-bus mode only. The Analog-to-Digital Converter (ADC) input is available on pin LOCK/ADC for digital AFC control in the I²C-bus mode only. The ADC code is read during a READ operation on the I²C-bus (see Table 11). In test mode, pin LOCK/ADC is used as a TEST output for f_{REF} and $\frac{1}{2}f_{DIV}$, in both I²C-bus mode and 3-wire bus mode (see Table 7).

When the automatic charge pump current switch mode is activated and when the loop is phase-locked, the charge pump current value is automatically switched to LOW. This action is taken to improve the carrier-to-noise ratio. The status of this feature can be read in the ACPS flag during a READ operation on the I²C-bus (see Table 9).

I²C-bus mode (SW = GND)

Five serial bytes (including address byte) are required to address the device, select the VCO frequency, program the four ports, set the charge pump current and set the reference divider ratio. The device has four independent I²C-bus addresses which can be selected by applying a specific voltage on input CE (see Table 6).

3-wire bus mode (SW = OPEN or VCC)

Data is transmitted to the devices during a HIGH-level on input CE (enable line). The device is compatible with 18-bit and 19-bit data formats, as shown in Figs 4 and 5. The first four bits are used to program the PNP ports and the remaining bits control the programmable divider. A 27-bit data format may also be used to set the charge pump current, the reference divider ratio and for test purposes (see Fig.6).

It is not allowed to address the devices with words whose length is different from 18, 19 or 27 bits.

Table 1 Data word length for 3-wire bus

TYPE NUMBER	DATA WORD	REFERENCE DIVIDER ⁽¹⁾	FREQUENCY STEP
TDA6402; TDA6402A; TDA6403; TDA6403A	18-bit	512	62.50 kHz
TDA6402; TDA6402A; TDA6403; TDA6403A	19-bit	1024	31.25 kHz
TDA6402; TDA6402A; TDA6403; TDA6403A	27-bit	programmable	programmable

Note

- The selection of the reference divider is given by an automatic identification of the data word length. When the 27-bit format is used, the reference divider is controlled by RSA and RSB bits (see Table 8). More details are given in Chapter "PLL functional description", Section "3-wire bus mode (SW = OPEN or V_{CC})".

5 V mixers/oscillators and synthesizers for cable TV and VCR 2-band tuners

TDA6402; TDA6402A;
TDA6403; TDA6403A

QUICK REFERENCE DATA

Measured over full voltage and temperature ranges; unless otherwise specified.

SYMBOL	PARAMETER	CONDITIONS	MIN.	TYP.	MAX.	UNIT
V _{CC}	supply voltage	operating	4.5	5	5.5	V
I _{CC}	supply current	all PNP ports are 'OFF'	–	71	–	mA
f _{X TAL}	crystal oscillator input frequency		3.2	4.0	4.48	MHz
I _{o(PNP)}	PNP port output current	note 1	–	–	30	mA
P _{tot}	total power dissipation	note 2	–	–	490	mW
T _{stg}	IC storage temperature		–40	–	+150	°C
T _{amb}	ambient temperature		–20	–	+85	°C
f _{RF}	RF frequency	VHF band	55.25	–	361.25	MHz
		UHF band	367.25	–	801.25	MHz
G _V	voltage gain	VHF band	–	19	–	dB
		UHF band	–	29	–	dB
NF	noise figure	VHF band	–	8.5	–	dB
		UHF band	–	9	–	dB
V _o	output voltage causing 1% cross modulation in channel	VHF band	–	108	–	dB _μ V
		UHF band	–	108	–	dB _μ V

Notes

1. One buffer 'ON', I_o = 25 mA; two buffers 'ON', maximum sum of I_o = 30 mA.

2. The power dissipation is calculated as follows: $P_{tot} = V_{CC} \times (I_{CC} - I_o) + V_{CE(sat PNP)} \times I_o + \frac{\left(\frac{1}{2}V_{33}\right)^2}{22 \text{ k}\Omega}$

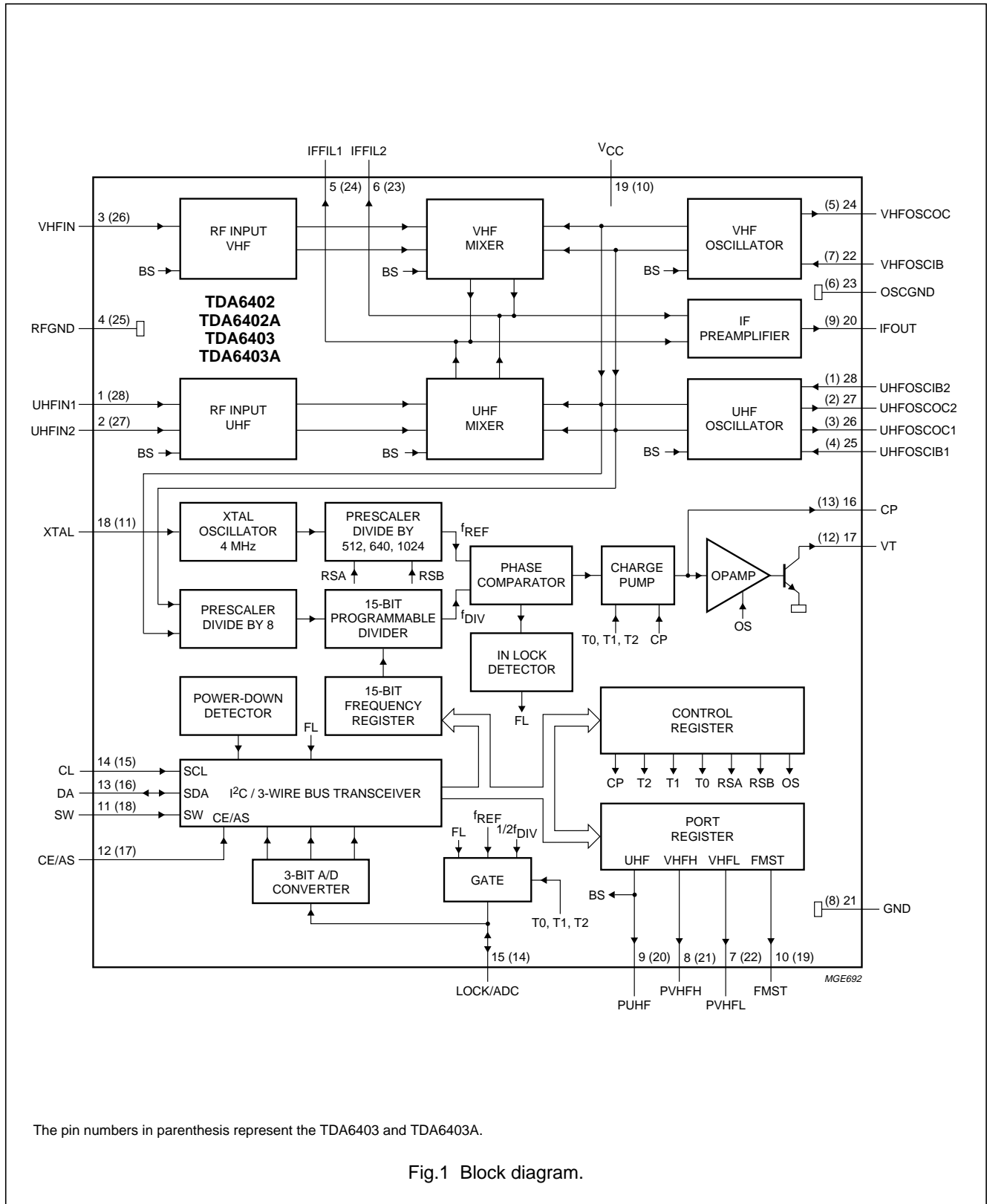
ORDERING INFORMATION

TYPE NUMBER	PACKAGE		
	NAME	DESCRIPTION	VERSION
TDA6402M; TDA6402AM	SSOP28	plastic shrink small outline package; 28 leads; body width 5.3 mm	SOT341-1
TDA6403M; TDA6403AM	SSOP28	plastic shrink small outline package; 28 leads; body width 5.3 mm	SOT341-1

5 V mixers/oscillators and synthesizers for cable TV and VCR 2-band tuners

TDA6402; TDA6402A;
TDA6403; TDA6403A

BLOCK DIAGRAM



The pin numbers in parenthesis represent the TDA6403 and TDA6403A.

Fig.1 Block diagram.

5 V mixers/oscillators and synthesizers for cable TV and VCR 2-band tuners

TDA6402; TDA6402A;
TDA6403; TDA6403A

PINNING

SYMBOL	PIN		DESCRIPTION
	TDA6402; TDA6402A	TDA6403; TDA6403A	
UHFIN1	1	28	UHF RF input 1
UHFIN2	2	27	UHF RF input 2
VHFIN	3	26	VHF RF input
RFGND	4	25	RF ground
IFFIL1	5	24	IF filter output 1
IFFIL2	6	23	IF filter output 2
PVHFL	7	22	PNP port output, general purpose (e.g. VHF low sub-band)
PVHFH	8	21	PNP port output, general purpose (e.g. VHF high sub-band)
PUHF	9	20	PNP port output, UHF band
FMST	10	19	PNP port output, general purpose (e.g. FM sound trap)
SW	11	18	bus mode selection input (I ² C-bus/3-wire bus)
CE/AS	12	17	Chip Enable/Address Selection input
DA	13	16	serial data input/output
CL	14	15	serial clock input
LOCK/ADC	15	14	lock detector output (3-wire bus)/ADC input (I ² C-bus)
CP	16	13	charge pump output
VT	17	12	tuning voltage output
XTAL	18	11	crystal oscillator input
V _{CC}	19	10	supply voltage
IFOUT	20	9	IF output
GND	21	8	digital ground
VHFOSCIB	22	7	VHF oscillator input base
OSCGND	23	6	oscillator ground
VHFOSCOC	24	5	VHF oscillator output collector
UHFOSCIB1	25	4	UHF oscillator input base 1
UHFOSCOC1	26	3	UHF oscillator output collector 1
UHFOSCOC2	27	2	UHF oscillator output collector 2
UHFOSCIB2	28	1	UHF oscillator input base 2

5 V mixers/oscillators and synthesizers for cable TV and VCR 2-band tuners

TDA6402; TDA6402A;
TDA6403; TDA6403A

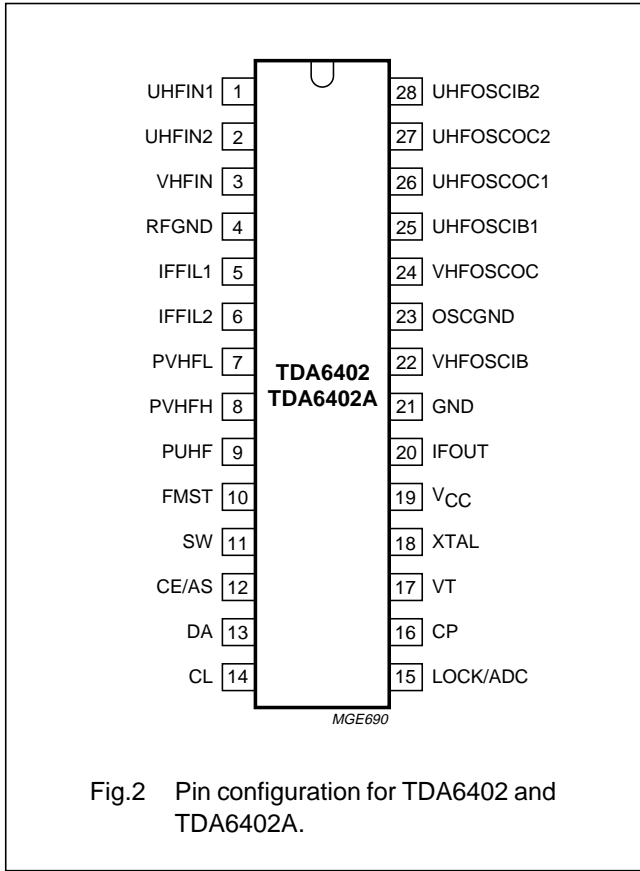


Fig.2 Pin configuration for TDA6402 and TDA6402A.

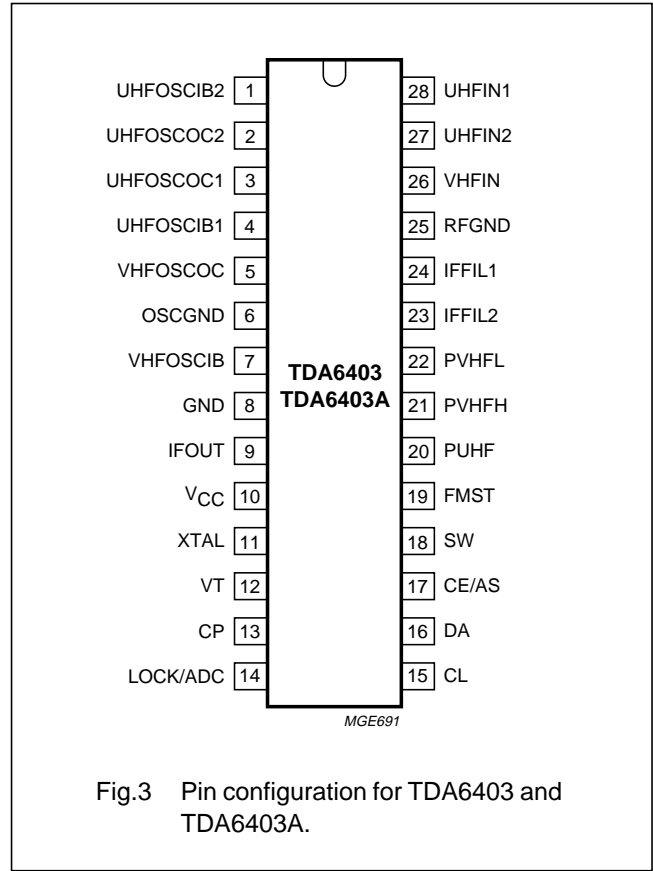


Fig.3 Pin configuration for TDA6403 and TDA6403A.

PLL FUNCTIONAL DESCRIPTION

The device is controlled via the I²C-bus or the 3-wire bus, depending on the voltage applied on the SW input. A HIGH-level on the SW input enables the 3-wire bus; CE/AS, DA and CL inputs are used as enable (CE), data

and clock inputs respectively. A LOW-level on SW input enables the I²C-bus; the CE/AS, DA and CL inputs are used as address selection (AS), SDA and SCL input respectively (see Table 2).

Table 2 Bus mode selection

SYMBOL	PIN		3-WIRE BUS MODE	I ² C-BUS MODE
	TDA6402; TDA6402A	TDA6403; TDA6403A		
SW	11	18	HIGH-level or OPEN	LOW-level or GND
CE/AS	12	17	enable input	address selection input
DA	13	16	data input	serial data input
CL	14	15	clock input	serial clock input
LOCK/ADC	15	14	LOCK/TEST output	ADC input/TEST output

5 V mixers/oscillators and synthesizers for cable TV and VCR 2-band tuners

TDA6402; TDA6402A;
TDA6403; TDA6403A

I²C-bus mode (SW = GND)

WRITE MODE; R/W = 0 (see Tables 3 and 4)

Data bytes can be sent to the device after the address transmission (first byte). Four data bytes are needed to fully program the device. The bus transceiver has an auto-increment facility which permits the programming of the device within one single transmission (address + 4 data bytes).

The device can also be partially programmed providing that the first data byte following the address is divider byte 1 (DB1) or control byte (CB). The bits in the data bytes are defined in Tables 3 and 4. The first bit of the first data byte transmitted indicates whether frequency data (first bit = 0) or control and band-switch data (first bit = 1) will follow. Until an I²C-bus STOP command is sent by the

controller, additional data bytes can be entered without the need to re-address the device. The frequency register is loaded after the 8th clock pulse of the second divider byte (DB2), the control register is loaded after the 8th clock pulse of the control byte (CB) and the band-switch register is loaded after the 8th clock pulse of the band switch byte (BB).

I²C-BUS ADDRESS SELECTION

The module address contains programmable address bits (MA1 and MA0) which offer the possibility of having several synthesizers (up to 4) in one system by applying a specific voltage on the CE input. The relationship between MA1 and MA0 and the input voltage applied to the CE input is given in Table 6.

Table 3 I²C-bus data format, 'write' mode for the TDA6402 and TDA6403

NAME	BYTE	BITS								ACK
		MSB				LSB				
Address byte	ADB	1	1	0	0	0	MA1	MA0	R/W = 0	A
Divider byte 1	DB1	0	N14	N13	N12	N11	N10	N9	N8	A
Divider byte 2	DB2	N7	N6	N5	N4	N3	N2	N1	N0	A
Control byte	CB	1	CP	T2	T1	T0	RSA	RSB	OS	A
Band-switch byte	BB	X	X	X	X	FMST	PUHF	PVHFH	PVHFL	A

Table 4 I²C-bus data format, 'write' mode for the TDA6402A and TDA6403A

NAME	BYTE	BITS								ACK
		MSB				LSB				
Address byte	ADB	1	1	0	0	0	MA1	MA0	R/W = 0	A
Divider byte 1	DB1	0	N14	N13	N12	N11	N10	N9	N8	A
Divider byte 2	DB2	N7	N6	N5	N4	N3	N2	N1	N0	A
Control byte	CB	1	CP	T2	T1	T0	RSA	RSB	OS	A
Band-switch byte	BB	X	X	X	X	PUHF	FMST	PVHFH	PVHFL	A

5 V mixers/oscillators and synthesizers for cable TV and VCR 2-band tuners

TDA6402; TDA6402A;
TDA6403; TDA6403A

Table 5 Description of symbols used in Tables 3 and 4

SYMBOL	DESCRIPTION
A	acknowledge
MA1, MA0	programmable address bits (see Table 6)
N14 to N0	programmable divider bits; $N = N14 \times 2^{14} + N13 \times 2^{13} + \dots + N1 \times 2^1 + N0$
CP	charge pump current: CP = 0 = 60 μ A CP = 1 = 280 μ A (default)
T2, T1, T0	test bits (see Table 7)
RSA, RSB	reference divider ratio select bits (see Table 8)
OS	tuning amplifier control bit: OS = 0; normal operation; tuning voltage is 'ON' (default) OS = 1; tuning voltage is 'OFF' (high-impedance)
PVHFL, PVHFH, PUHF, FMST	PNP ports control bits: bit = 0; buffer n is 'OFF' (default) bit = 1; buffer n is 'ON'
X	don't care

Table 6 Address selection (I²C-bus mode)

MA1	MA0	VOLTAGE APPLIED ON CE INPUT (SW = GND)
0	0	0 V to $0.1 \times V_{CC}$
0	1	open or $0.2 \times V_{CC}$ to $0.3 \times V_{CC}$
1	0	$0.4 \times V_{CC}$ to $0.6 \times V_{CC}$
1	1	$0.9 \times V_{CC}$ to $1.0 \times V_{CC}$

Table 7 Test modes

T2	T1	T0	TEST MODES
0	0	0	automatic charge pump switched off
0	0	1	automatic charge pump switched on (note 1)
0	1	X	charge pump is 'OFF'
1	1	0	charge pump is sinking current
1	1	1	charge pump is sourcing current
1	0	0	f_{REF} is available on pin LOCK/ADC (note 2)
1	0	1	$\frac{1}{2}f_{DIV}$ is available on pin LOCK/ADC (note 2)

Notes

- This is the default mode at power-on reset.
- The ADC input cannot be used when these test modes are active; see Section "Read mode; R/W = 1 (see Table 9)" for more information.

5 V mixers/oscillators and synthesizers for
cable TV and VCR 2-band tunersTDA6402; TDA6402A;
TDA6403; TDA6403A**Table 8** Reference divider ratio select bits

RSA	RSB	REFERENCE DIVIDER RATIO	FREQUENCY STEP (kHz)
X ⁽¹⁾	0	640	6.25
0	1	1024	3.90625
1	1	512	7.8125

Note

- X = don't care.

READ MODE; R/W = 1 (see Table 9)

Data can be read from the device by setting the R/W bit to logic 1. After the slave address has been recognized, the device generates an acknowledge pulse and the first data byte (status byte) is transferred on the SDA line (MSB first). Data is valid on the SDA line during a HIGH-level of the SCL clock signal. A second data byte can be read from the device if the microcontroller generates an acknowledge on the SDA line (master acknowledge).

End of transmission will occur if no master acknowledge occurs. The device will then release the data line to allow the microcontroller to generate a STOP condition.

The POR flag is set to logic 1 at power-on. The flag is reset when an end-of-data is detected by the device (end of a

READ sequence). Control of the loop is made possible with the in-lock flag FL which indicates when the loop is locked (FL = 1).

The automatic charge pump switch flag (ACPS) is LOW when the automatic charge pump switch mode is 'ON' and the loop is locked. In other conditions, ACPS = 1. When ACPS = 0, the charge pump current is forced to the LOW value.

A built-in ADC is available on LOCK/ADC pin (I²C-bus mode only). This converter can be used to apply AFC information to the microcontroller from the IF section of the television. The relationship between the bits A2, A1 and A0 is given in Table 11.

Table 9 Read data format

NAME	BYTE	BITS								ACK
		MSB ⁽¹⁾				LSB				
Address byte	ADB	1	1	0	0	0	MA1	MA0	R/W = 1	A
Status byte	SB	POR	FL	ACPS	1	1	A2	A1	A0	–

Note

- MSB is transmitted first.

Table 10 Description of symbols used in Table 9

SYMBOL	DESCRIPTION
A	acknowledge
POR	power-on reset flag (POR = 1 at power-on)
FL	in-lock flag (FL = 1 when the loop is locked)
ACPS	automatic charge pump switch flag: ACPS = 0; active ACPS = 1; not active
A2, A1, A0	digital outputs of the 5-level ADC

5 V mixers/oscillators and synthesizers for cable TV and VCR 2-band tuners

TDA6402; TDA6402A;
TDA6403; TDA6403A

Table 11 A to D converter levels (note 1)

A2	A1	A0	VOLTAGE APPLIED ON ADC INPUT
1	0	0	$0.60 \times V_{CC}$ to $1.00 \times V_{CC}$
0	1	1	$0.45 \times V_{CC}$ to $0.60 \times V_{CC}$
0	1	0	$0.30 \times V_{CC}$ to $0.45 \times V_{CC}$
0	0	1	$0.15 \times V_{CC}$ to $0.30 \times V_{CC}$
0	0	0	0 to $0.15 \times V_{CC}$

Note

1. Accuracy is $\pm 0.03 \times V_{CC}$.

POWER-ON RESET

Table 12 Default bits at power-on reset

NAME	BYTE	BITS							
		MSB						LSB	
Address byte	ADB	1	1	0	0	0	MA1	MA0	X
Divider byte 1	DB1	0	X	X	X	X	X	X	X
Divider byte 2	DB2	X	X	X	X	X	X	X	X
Control byte	CB	1	1	0	0	1	X	1	1
Band switch byte	BB	X	X	X	X	0	0	0	0

The power-on detection threshold voltage V_{POR} is set to $V_{CC} = 2$ V at room temperature. Below this threshold, the device is reset to the power-on state.

At power-on state, the charge pump current is set to 280 μ A, the tuning voltage output is disabled, the test bits T2, T1 and T0 are set to '001' (automatic charge pump switch 'ON') and RSB is set to logic 1.

PUHFL is 'OFF', which means that the UHF oscillator and the UHF mixer are switched off. Consequently, the VHF oscillator and the VHF mixer are switched on. PVHFL and PVHFH are 'OFF', which means that the VHF tank circuit is working in the VHF I sub-band. The tuning amplifier is switched off until the first transmission. In that case, the tank circuit in VHF I is supplied with the maximum tuning voltage. The oscillator is therefore working at the end of the VHF I sub-band.

3-wire bus mode (SW = OPEN or V_{CC})

During a HIGH-level on the CE input (enable line), the data is clocked into the data register at the HIGH-to-LOW transition of the clock. The first four bits control the PNP ports and are loaded into the internal band switch register on the 5th rising edge of the clock pulse. The frequency

bits are loaded into the frequency register at the HIGH-to-LOW transition of the chip enable line when an 18-bit or 19-bit data word is transmitted (see Figs 4 and 5).

When a 27-bit data word is transmitted, the frequency bits are loaded into the frequency register on the 20th rising edge of the clock pulse and the control bits at the HIGH-to-LOW transition of the chip enable line (see Fig.6). In this mode, the reference divider is given by the RSA and RSB bits (see Table 8). The test bits T2, T1 and T0, the charge pump bit CP, the ratio select bit RSB and the OS bit can only be selected or changed with a 27-bit transmission. They remain programmed if an 18-bit or 19-bit transmission occurs. Only RSA is controlled by the transmission length when the 18-bit or 19-bit format is used. When an 18-bit data word is transmitted, the most significant bit of the divider N14 is internally set to logic 0 and the RSA bit is set to logic 1. When a 19-bit data word is transmitted, the RSA bit is set to logic 0.

A data word of less than 18 bits will not affect the frequency register of the device. The definition of the bits is unchanged compared to I²C-bus mode.

It is not allowed to address the devices with words whose length is different from 18, 19 or 27 bits.

5 V mixers/oscillators and synthesizers for cable TV and VCR 2-band tuners

TDA6402; TDA6402A; TDA6403; TDA6403A

POWER-ON RESET

The power-on detection threshold voltage V_{POR} is set to $V_{CC} = 2\text{ V}$ at room temperature. Below this threshold, the device is reset to the power-on state.

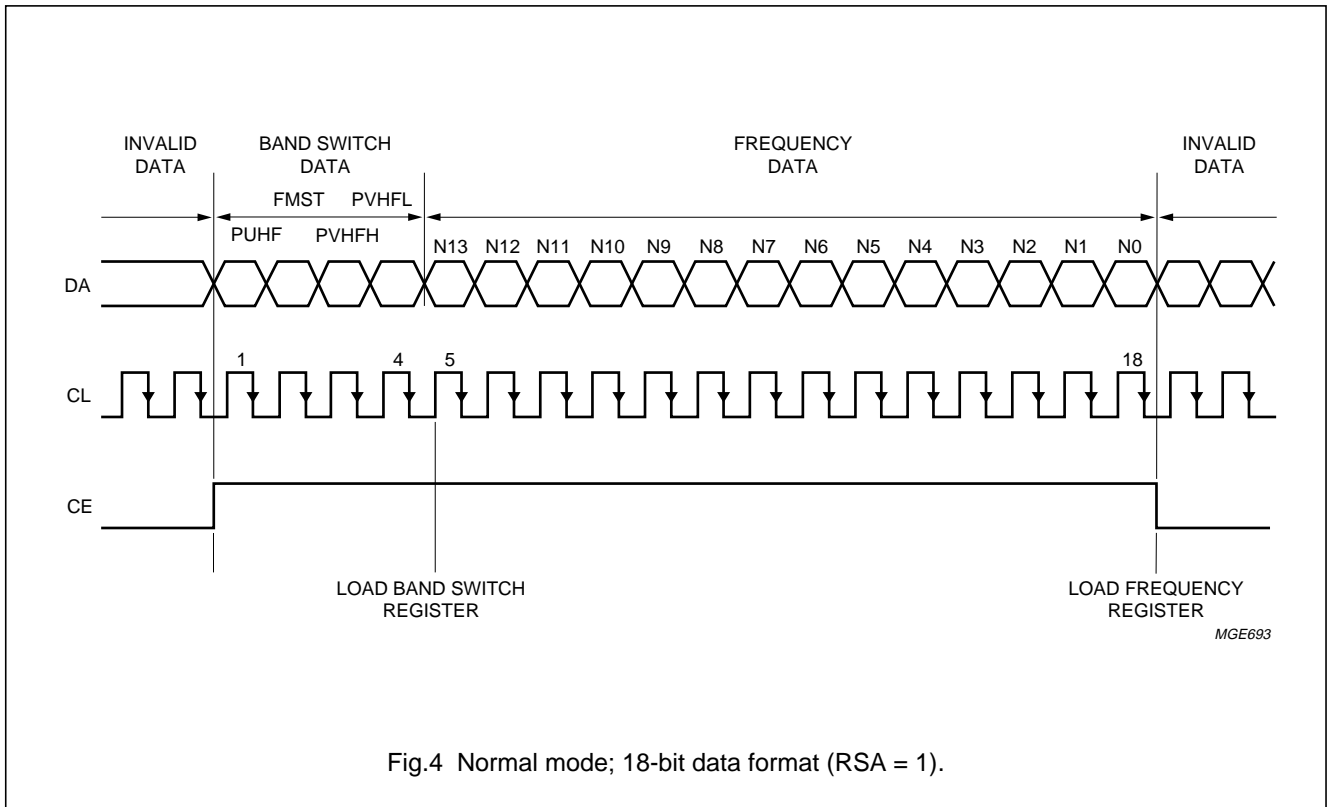
At power-on state, the charge pump current is set to $280\ \mu\text{A}$, the tuning voltage output is disabled, the test bits T2, T1 and T0 are set to '001' (automatic charge pump switch 'ON') and RSB is set to logic 1.

PUHF is 'OFF', which means that the UHF oscillator and the UHF mixer are switched off. Consequently, the VHF oscillator and the VHF mixer are switched on. PVHFL and

PVHFH are 'OFF', which means that the VHF tank circuit is working in the VHF I sub-band. The tuning amplifier is switched off until the first transmission. In that case, the tank circuit in VHF I is supplied with the maximum tuning voltage. The oscillator is therefore working at the end of the VHF I sub-band.

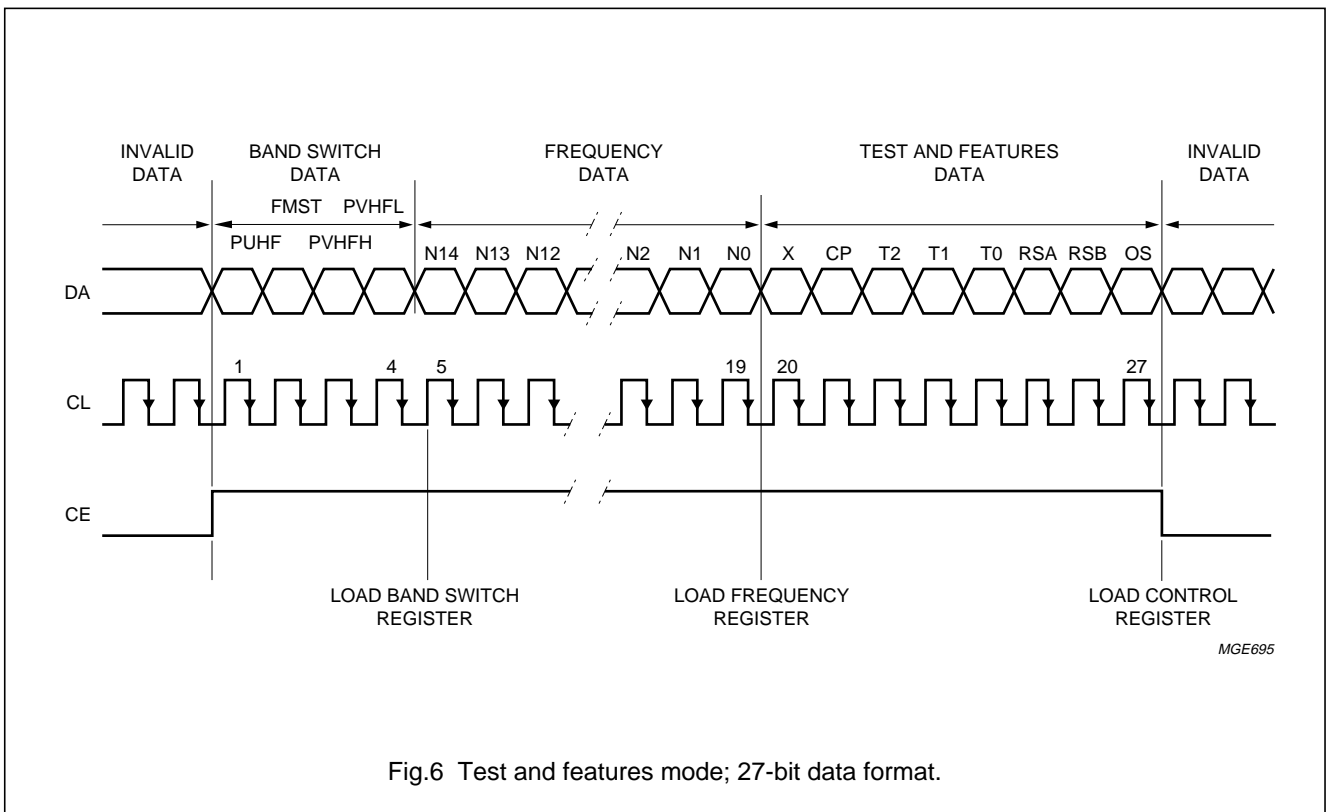
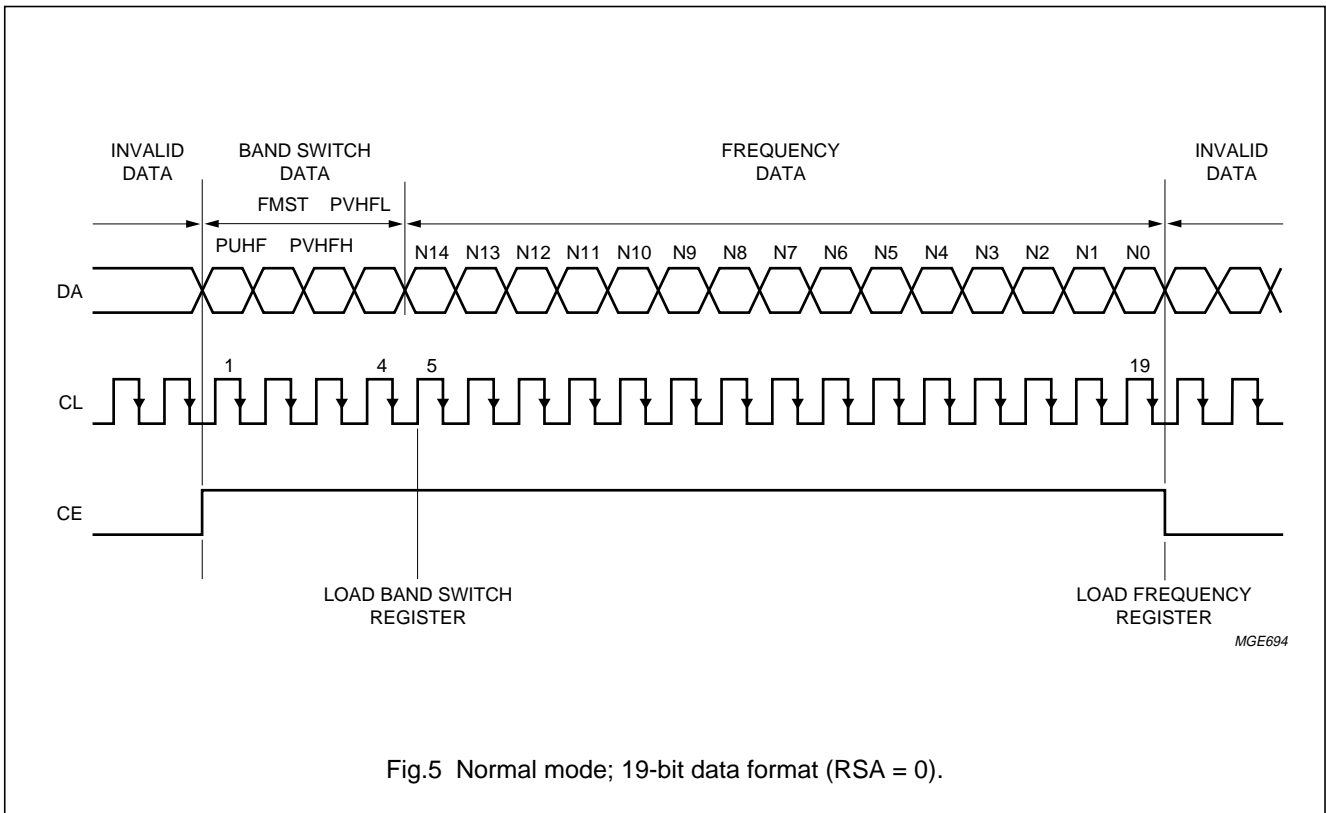
If the first sequence transmitted to the device has 18 or 19 bits, the reference divider ratio is set to 512 or 1024, depending on the sequence length.

If the sequence has 27 bits, the reference divider ratio is fixed by RSA and RSB bits (see Table 8).



5 V mixers/oscillators and synthesizers for
cable TV and VCR 2-band tuners

TDA6402; TDA6402A;
TDA6403; TDA6403A



5 V mixers/oscillators and synthesizers for cable TV and VCR 2-band tuners

TDA6402; TDA6402A;
TDA6403; TDA6403A

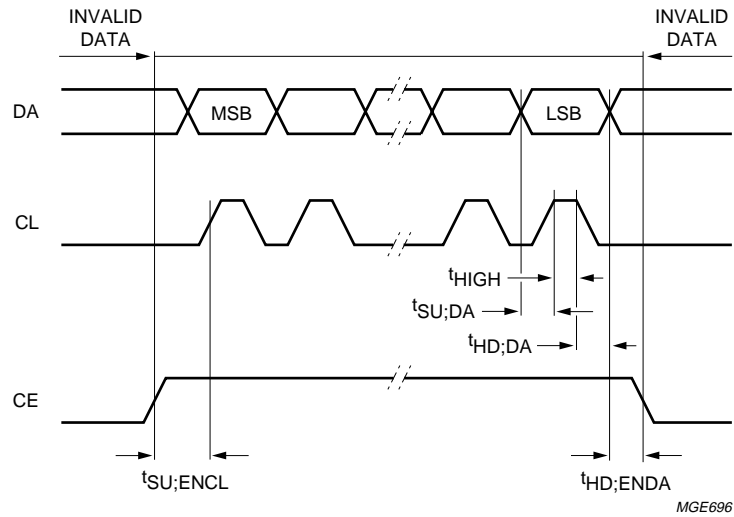


Fig.7 Timing diagram for 3-wire bus; DA, CL and CE.

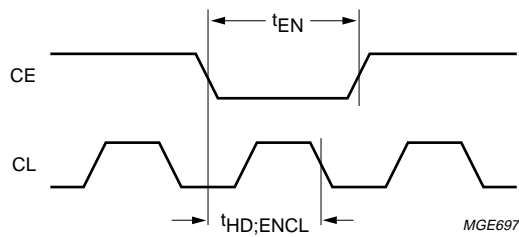


Fig.8 Timing diagram for 3-wire bus; CE and CL.

5 V mixers/oscillators and synthesizers for cable TV and VCR 2-band tuners

TDA6402; TDA6402A;
TDA6403; TDA6403A

LIMITING VALUES

In accordance with the Absolute Maximum Rating System (IEC 60134) (note 1).

SYMBOL	PIN		PARAMETER	MIN.	MAX.	UNIT
	TDA6402; TDA6402A	TDA6403; TDA6403A				
V _{CC}	19	10	DC supply voltage	-0.3	+6	V
			operating supply voltage	4.5	5.5	V
			OVS pulse is 1 second width and 1 A max.	-	8	V
V _{BSn}	7 to 10	19 to 22	PNP port output voltage	-0.3	+6	V
I _{BSn}	7 to 10	19 to 22	PNP port output current	-1	+30	mA
V _{CP}	16	13	charge pump output voltage	-0.3	+6	V
V _{SW}	11	18	bus mode selection input voltage	-0.3	+6	V
V _{VT}	17	12	tuning voltage output	-0.3	+35	V
V _{LOCK/ADC}	15	14	LOCK/ADC input/output voltage	-0.3	+6	V
V _{CL}	14	15	serial clock input voltage	-0.3	+6	V
V _{DA}	13	16	serial data input/output voltage	-0.3	+6	V
I _{DA}	13	16	data output current (I ² C-bus mode)	-1	+10	mA
V _{CE}	12	17	chip enable/address selection input voltage	-0.3	+6	V
V _{XTAL}	18	11	crystal input voltage	-0.3	+6	V
I _O	1 to 6, 19 to 28	1 to 10, 23 to 28	output current of each pin to ground	-	-10	mA
t _{sc(max)}	-	-	maximum short-circuit time (all pins to V _{CC} and all pins to GND, OSCGND and RFGND)	-	10	s
T _{stg}	-	-	IC storage temperature	-40	+150	°C
T _{amb}	-	-	ambient temperature	-20	+85	°C
T _j	-	-	junction temperature	-	150	°C

Note

- Maximum ratings can not be exceeded, not even momentarily without causing irreversible IC damage. Maximum ratings can not be accumulated.

THERMAL CHARACTERISTICS

SYMBOL	PARAMETER	CONDITIONS	TYP.	UNIT
R _{th(j-a)}	thermal resistance from junction to ambient	in free air	90	K/W

5 V mixers/oscillators and synthesizers for cable TV and VCR 2-band tuners

TDA6402; TDA6402A;
TDA6403; TDA6403A

CHARACTERISTICS

$T_{amb} = 25\text{ °C}$

SYMBOL	PARAMETER	CONDITIONS	MIN.	TYP.	MAX.	UNIT
Supply						
V_{CC}	supply voltage		4.5	5.0	5.5	V
I_{CC}	supply current at $V_{CC} = 5\text{ V}$	all PNP ports are 'OFF'	–	71	78	mA
		one PNP port is 'ON'; sourcing 25 mA	–	103	113	mA
		one PNP port is 'ON'; sourcing 25 mA and a second one is 'ON'; sourcing 5 mA	–	111	122	mA
PLL part ($V_{CC} = 4.5\text{ to }5.5\text{ V}$; $T_{amb} = -20\text{ to }+85\text{ °C}$; unless otherwise specified)						
FUNCTIONAL RANGE						
V_{POR}	power-on reset supply voltage	below this supply voltage power-on reset becomes active	1.5	2.0	–	V
N	divider ratio	15-bit frequency word	256	–	32767	
		14-bit frequency word	256	–	16383	
f_{XTAL}	crystal oscillator	$R_{XTAL} = 25\text{ to }300\text{ }\Omega$	3.2	4.0	4.48	MHz
$ Z_{XTAL} $	input impedance (absolute value)	$f_{XTAL} = 4\text{ MHz}$	600	1200	–	Ω
PNP PORTS						
$I_{BSn(off)}$	leakage current	$V_{CC} = 5.5\text{ V}$; $V_{Pn} = 0\text{ V}$	–10	–	–	μA
$V_{BSn(sat)}$	output saturation voltage	one buffer output is 'ON', sourcing 25 mA; $V_{Pn(sat)} = V_{CC} - V_{Pn}$	–	0.25	0.4	V
LOCK OUTPUT IN 3-WIRE BUS MODE (PNP COLLECTOR OUT)						
I_{UNLOCK}	output current when the PLL is out-of-lock	$V_{CC} = 5.5\text{ V}$; $V_{OUT} = 5.5\text{ V}$	–	–	100	μA
V_{UNLOCK}	output saturation voltage when the PLL is out-of-lock	$I_{SOURCE} = 200\text{ }\mu\text{A}$; $V_{UNLOCK} = V_{CC} - V_{OUT}$	–	0.4	0.8	V
V_{LOCK}	output voltage	the PLL is locked	–	0.01	0.40	V
ADC INPUT IN I²C-BUS MODE						
V_{ADC}	ADC input voltage	see Table 11	0	–	V_{CC}	V
I_{ADCH}	HIGH-level input current	$V_{ADC} = V_{CC}$	–	–	10	μA
I_{ADCL}	LOW-level input current	$V_{ADC} = 0\text{ V}$	–10	–	–	μA
SW INPUT (BUS MODE SELECTION)						
V_{SWL}	LOW-level input voltage		0	–	1.5	V
V_{SWH}	HIGH-level input voltage		3	–	V_{CC}	V
I_{SWH}	HIGH-level input current	$V_{SW} = V_{CC}$	–	–	10	μA
I_{SWL}	LOW-level input current	$V_{SW} = 0\text{ V}$	–100	–	–	μA

5 V mixers/oscillators and synthesizers for
cable TV and VCR 2-band tunersTDA6402; TDA6402A;
TDA6403; TDA6403A

SYMBOL	PARAMETER	CONDITIONS	MIN.	TYP.	MAX.	UNIT
CE/AS INPUT (CHIP ENABLE/ADDRESS SELECTION)						
V _{CE/ASL}	LOW-level input voltage		0	–	1.5	V
V _{CE/ASH}	HIGH-level input voltage		3	–	5.5	V
I _{CE/ASH}	HIGH-level input current	V _{CE/AS} = 5.5 V	–	–	10	μA
I _{CE/ASL}	LOW-level input current	V _{CE/AS} = 0 V	–10	–	–	μA
CL AND DA INPUTS						
V _{CL/DAL}	LOW-level input voltage		0	–	1.5	V
V _{CL/DAH}	HIGH-level input voltage		3	–	5.5	V
I _{CL/DAH}	HIGH-level input current	V _{BUS} = 5.5 V; V _{CC} = 0 V	–	–	10	μA
		V _{BUS} = 5.5 V; V _{CC} = 5.5 V	–	–	10	μA
I _{CL/DAL}	LOW-level input current	V _{BUS} = 1.5 V; V _{CC} = 0 V	–	–	10	μA
		V _{BUS} = 0 V; V _{CC} = 5.5 V	–10	–	–	μA
DA OUTPUT (I ² C-BUS MODE)						
I _{DAH}	leakage current	V _{DA} = 5.5 V	–	–	10	μA
V _{DA}	output voltage	I _{DA} = 3 mA (sink current)	–	–	0.4	V
CLOCK FREQUENCY						
f _{clk}	clock frequency		–	100	150	kHz
CHARGE PUMP OUTPUT CP						
I _{CPH}	HIGH-level input current (absolute value)	CP = 1	–	280	–	μA
I _{CPL}	LOW-level input current (absolute value)	CP = 0	–	60	–	μA
V _{CP}	output voltage	PLL is locked; T _{amb} = 25 °C	–	1.95	–	V
I _{CPleak}	off-state leakage current	T ₂ = 0; T ₁ = 1	–15	–0.5	+15	nA
TUNING VOLTAGE OUTPUT VT						
I _{VTOFF}	leakage current when switched off	OS = 1; tuning supply = 33 V	–	–	10	μA
V _{VT}	output voltage when the loop is closed	OS = 0; T ₂ = 0; T ₁ = 0; T ₀ = 1; R _{LOAD} = 22 kΩ; tuning supply = 33 V	0.2	–	32.7	V
3-WIRE BUS TIMING						
t _{HIGH}	clock HIGH time	see Fig.7	2	–	–	μs
t _{SU;DA}	data set-up time	see Fig.7	2	–	–	μs
t _{HD;DA}	data hold time	see Fig.7	2	–	–	μs
t _{SU;ENCL}	enable to clock set-up time	see Fig.7	10	–	–	μs
t _{HD;ENDA}	enable to data hold time	see Fig.7	2	–	–	μs
t _{EN}	enable time between two transmissions	see Fig.8	10	–	–	μs
t _{HD;ENCL}	enable to clock active edge hold time	see Fig.8	6	–	–	μs

5 V mixers/oscillators and synthesizers for
cable TV and VCR 2-band tunersTDA6402; TDA6402A;
TDA6403; TDA6403A

SYMBOL	PARAMETER	CONDITIONS	MIN.	TYP.	MAX.	UNIT
Mixer/oscillator part ($V_{CC} = 5\text{ V}$) (measured in circuit of Fig.19; unless otherwise specified)						
VHF MIXER (INCLUDING IF AMPLIFIER)						
f_{RF}	RF frequency	note 1	55.25	–	361.25	MHz
G_v	voltage gain	$f_{RF} = 57.5\text{ MHz}$; see Fig.12	16.5	19	21.5	dB
		$f_{RF} = 357.5\text{ MHz}$; see Fig.12	16.5	19	21.5	dB
NF	noise figure	$f_{RF} = 50\text{ MHz}$; see Figs 13 and 14	–	8.5	9.5	dB
		$f_{RF} = 150\text{ MHz}$; see Figs 13 and 14	–	8.5	10.5	dB
		$f_{RF} = 300\text{ MHz}$; see Fig.14	–	9.5	12.5	dB
V_o	output voltage causing 1% cross modulation in channel	$f_{RF} = 55.25\text{ MHz}$; see Fig.15	105	108	–	dB μ V
		$f_{RF} = 361.25\text{ MHz}$; see Fig.15	105	108	–	dB μ V
V_i	input voltage causing pulling in channel (750 Hz)	$f_{RF} = 361.25\text{ MHz}$; note 2	–	83	–	dB μ V
g_{os}	optimum source conductance for noise figure	$f_{RF} = 50\text{ MHz}$	–	0.7	–	mS
		$f_{RF} = 150\text{ MHz}$	–	0.9	–	mS
		$f_{RF} = 300\text{ MHz}$	–	1.5	–	mS
g_i	input conductance	$f_{RF} = 55.25\text{ MHz}$; see Fig.9	–	0.25	–	mS
		$f_{RF} = 361.25\text{ MHz}$; see Fig.9	–	0.5	–	mS
C_i	input capacitance	$f_{RF} = 57.5\text{ to }357.5\text{ MHz}$; see Fig.9	–	1.3	–	pF
VHF OSCILLATOR; see Fig.19						
f_{OSC}	oscillator frequency	note 3	101	–	407	MHz
$\Delta f_{OSC(V)}$	oscillator frequency shift	$\Delta V_{CC} = 5\%$; note 4	–	20	120	kHz
		$\Delta V_{CC} = 10\%$; note 4	–	110	–	kHz
$\Delta f_{OSC(T)}$	oscillator frequency drift	$\Delta T = 25\text{ }^\circ\text{C}$; with compensation; note 5	–	1600	2700	kHz
$\Delta f_{OSC(t)}$	oscillator frequency drift	5 s to 15 min after switch on; note 6	–	600	1100	kHz
Φ_{OSC}	phase noise, carrier to noise sideband	$\pm 100\text{ kHz}$ frequency offset; worst case in the frequency range	–	100	–	dBc/Hz
RSC	ripple susceptibility of V_{CC} (peak-to-peak value)	$V_{CC} = 5\text{ V}$; worst case in the frequency range; ripple frequency 500 kHz; note 7	15	20	–	mV
UHF MIXER (INCLUDING IF AMPLIFIER)						
f_{RF}	RF frequency	note 1	367.25	–	801.25	MHz
G_v	voltage gain	$f_{RF} = 369.5\text{ MHz}$; see Fig.16	26	29	32	dB
		$f_{RF} = 803.5\text{ MHz}$; see Fig.16	26	29	32	dB
NF	noise figure (not corrected for image)	$f_{RF} = 369.5\text{ MHz}$; see Fig.17	–	9	11	dB
		$f_{RF} = 803.5\text{ MHz}$; see Fig.17	–	10	12	dB
V_o	output voltage causing 1% cross modulation in channel	$f_{RF} = 367.25\text{ MHz}$; see Fig.18	105	108	–	dB μ V
		$f_{RF} = 801.25\text{ MHz}$; see Fig.18	105	108	–	dB μ V
V_i	input voltage causing pulling in channel (750 Hz)	$f_{RF} = 801.25\text{ MHz}$; note 2	–	82	–	dB μ V

5 V mixers/oscillators and synthesizers for
cable TV and VCR 2-band tunersTDA6402; TDA6402A;
TDA6403; TDA6403A

SYMBOL	PARAMETER	CONDITIONS	MIN.	TYP.	MAX.	UNIT
Z_i	input impedance ($R_S + j\omega L_S$)	R_S at $f_{RF} = 367.25$ MHz; see Fig.10	–	30	–	Ω
		R_S at $f_{RF} = 801.25$ MHz; see Fig.10	–	38	–	Ω
		L_S at $f_{RF} = 367.25$ MHz; see Fig.10	–	9	–	nH
		L_S at $f_{RF} = 801.25$ MHz; see Fig.10	–	6	–	nH
UHF OSCILLATOR						
f_{OSC}	oscillator frequency	note 3	413	–	847	MHz
$\Delta f_{OSC(V)}$	oscillator frequency shift	$\Delta V_{CC} = 5\%$; note 4	–	10	80	kHz
		$\Delta V_{CC} = 10\%$; note 4	–	300	–	kHz
$\Delta f_{OSC(T)}$	oscillator frequency drift	$\Delta T = 25$ °C; with compensation; note 5	–	2000	2700	kHz
$\Delta f_{OSC(t)}$	oscillator frequency drift	5 s to 15 min after switching on; note 6	–	300	1300	kHz
Φ_{OSC}	phase noise, carrier to noise sideband	± 100 kHz frequency offset; worst case in the frequency range	–	100	–	dBc/Hz
RSC	ripple susceptibility of V_{CC} (peak-to-peak value)	$V_{CC} = 5$ V (worst case in the frequency range); ripple frequency 500 kHz; note 7	15	28	–	mV
IF AMPLIFIER						
S_{22}	output reflection coefficient	magnitude; see Fig.11	–	–13.1	–	dB
		phase; see Fig.11	–	2.9	–	deg
Z_o	output impedance ($R_S + j\omega L_S$)	R_S at 43.5 MHz; see Fig.11	–	75	–	Ω
		L_S at 43.5 MHz; see Fig.11	–	6.6	–	nH
REJECTION AT THE IF OUTPUT						
INT_{DIF}	level of divider interferences in the IF signal	note 8; worst case: channel C	–	17	–	dB μ V
$INTR_{XTAL}$	crystal oscillator interferences rejection	$V_{IF} = 100$ dB μ V; worst case in the frequency range; note 9	60	–	–	dBc
$INTR_{FREF}$	reference frequency rejection	$V_{IF} = 100$ dB μ V; worst case in the frequency range; $f_{REF} = 7.8125$ kHz; note 10	50	–	–	dBc
INT_{CH6}	channel 6 beat	$V_{RFpix} = V_{RFsnd} = 80$ dB μ V; note 11	57	–	–	dBc
INT_{CHA-5}	channel A-5 beat	$V_{RFpix} = 80$ dB μ V; note 12	60	–	–	dBc

Notes

1. The RF frequency range is defined by the oscillator frequency range and the intermediate frequency (IF).
2. This is the level of the RF signal (100% amplitude modulated with 11.89 kHz) that causes a 750 Hz frequency deviation on the oscillator signal; it produces sidebands 30 dB below the level of the oscillator signal.
3. Limits are related to the tank circuits used in Fig.19; frequency bands may be adjusted by the choice of external components.
4. The frequency shift is defined as a change in oscillator frequency when the supply voltage varies from $V_{CC} = 5$ to 4.75 V (4.5 V) or from $V_{CC} = 5$ to 5.25 V (5.5 V). The oscillator is free running during this measurement.

5 V mixers/oscillators and synthesizers for cable TV and VCR 2-band tuners

TDA6402; TDA6402A; TDA6403; TDA6403A

5. The frequency drift is defined as a change in oscillator frequency when the ambient temperature varies from $T_{amb} = 25$ to $50\text{ }^{\circ}\text{C}$ or from $T_{amb} = 25$ to $0\text{ }^{\circ}\text{C}$. The oscillator is free running during this measurement. The VHF drift value can be improved by adding a $10\text{ k}\Omega$ resistor between the VHFOSCOC pin and the V_{CC} . In that case the typical VHF drift value can be reduced to 900 kHz .
6. Switch-on drift is defined as the change in oscillator frequency between 5 s and 15 min after switch on. The oscillator is free running during this measurement.
7. The ripple susceptibility is measured for a 500 kHz ripple at the IF output using the measurement circuit of Fig.19; the level of the ripple signal is increased until a difference of 53.5 dB occurs between the IF carrier fixed at $100\text{ dB}\mu\text{V}$ and the sideband components.
8. This is the level of divider interferences close to the IF frequency. For example channel C: $f_{OSC} = 179\text{ MHz}$, $\frac{1}{4} f_{OSC} = 44.75\text{ MHz}$. Divider interference is measured with the Philips 37185 demonstration board in accordance with Fig.19. All ground pins are connected to a single ground plane under the IC. The VHFIN input must be left open (i.e. not connected to any load or cable); The UHFIN1 and UHFIN2 inputs are connected to a hybrid. The measured levels of divider interference are influenced by layout, grounding and port decoupling. The measurement results could vary by as much as 10 dB with respect to the specification.
9. Crystal oscillator interference means the 4 MHz sidebands caused by the crystal oscillator. The rejection has to be greater than 60 dB for an IF output signal of $100\text{ dB}\mu\text{V}$.
10. The reference frequency rejection is the level of reference frequency sidebands related to the sound sub-carrier. The rejection has to be greater than 50 dB for an IF output signal of $100\text{ dB}\mu\text{V}$.
11. Channel 6 beat is the interfering product of $f_{RFpix} + f_{RFsnd} - f_{OSC}$ of channel 6 at 42 MHz .
12. Channel A-5 beat is the interfering product of f_{RFpix} , f_{IF} and f_{OSC} of channel A-4; $f_{BEAT} = 45.5\text{ MHz}$. The possible mechanisms are: $f_{OSC} - 2 \times f_{IF}$ or $2 \times f_{RFpix} - f_{OSC}$. For the measurement $V_{RF} = 80\text{ dB}\mu\text{V}$.

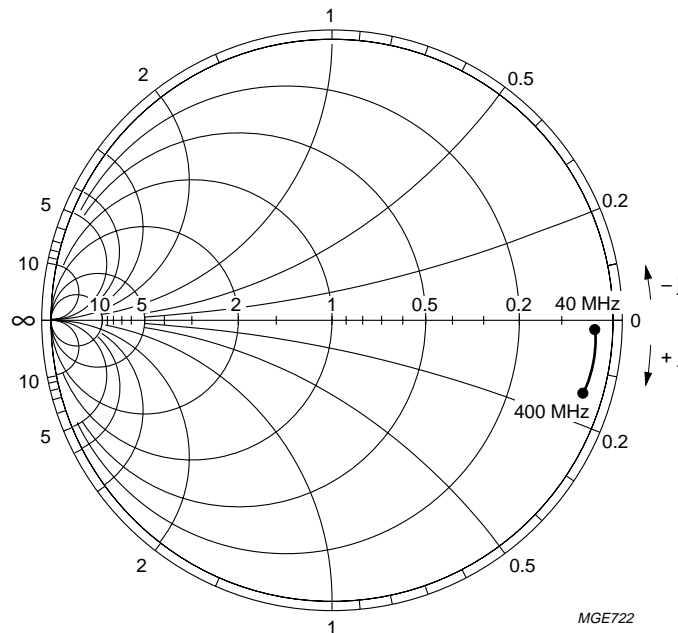


Fig.9 Input admittance (S_{11}) of the VHF mixer input (40 to 400 MHz); $Y_0 = 20\text{ mS}$.

5 V mixers/oscillators and synthesizers for cable TV and VCR 2-band tuners

TDA6402; TDA6402A;
TDA6403; TDA6403A

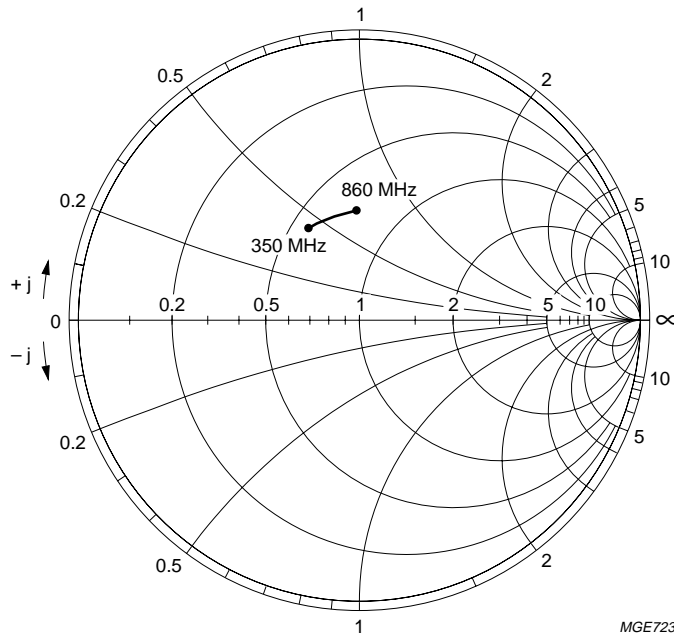


Fig.10 Input impedance (S_{11}) of the UHF mixer input (350 to 860 MHz); $Z_0 = 50 \Omega$.

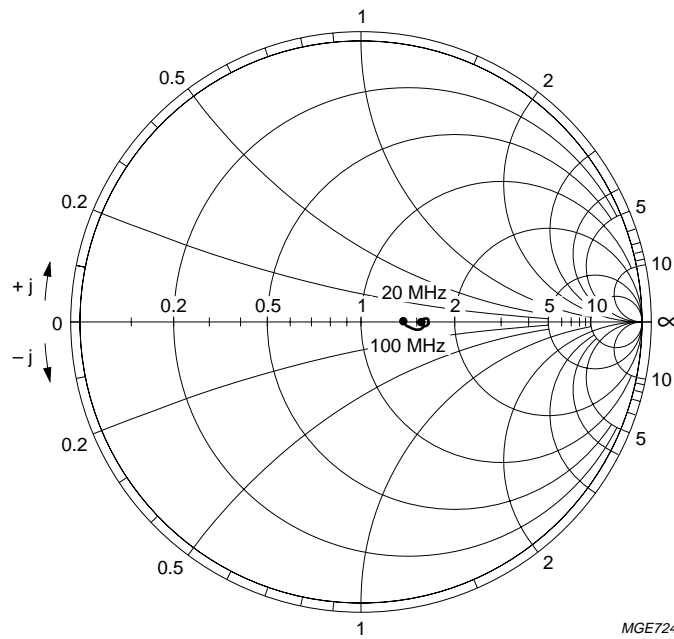
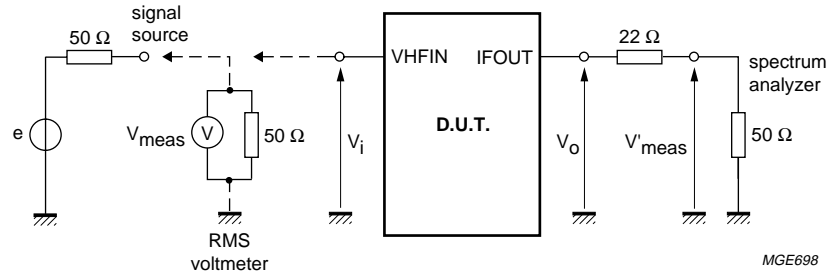


Fig.11 Output impedance (S_{22}) of the IF amplifier (20 to 60 MHz); $Z_0 = 50 \Omega$.

5 V mixers/oscillators and synthesizers for cable TV and VCR 2-band tuners

TDA6402; TDA6402A; TDA6403; TDA6403A

TEST AND APPLICATION INFORMATION



MGE698

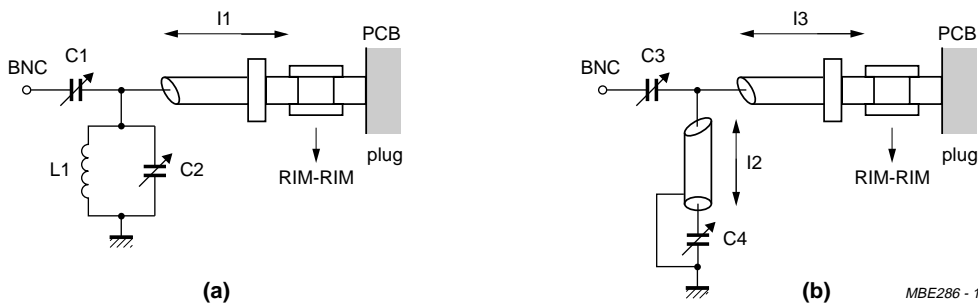
$$Z_i \gg 50 \Omega \Rightarrow V_i = 2 \times V_{meas} = 80 \text{ dB}\mu\text{V}$$

$$V_i = V_{meas} + 6 \text{ dB} = 80 \text{ dB}\mu\text{V}$$

$$V_o = V'_{meas} \times \frac{50 + 22}{50}$$

$$G_v = 20 \log \frac{V_o}{V_i}$$

Fig.12 Gain measurement in VHF band.



MBE286 - 1

(a) For $f_{RF} = 50 \text{ MHz}$:

mixer A frequency response measured = 57 MHz, loss = 0 dB

image suppression = 16 dB

C1 = 9 pF

C2 = 15 pF

L1 = 7 turns (\varnothing 5.5 mm, wire \varnothing = 0.5 mm)

l1 = semi rigid cable (RIM): 5 cm long

(semi rigid cable (RIM); 33 dB/100 m; 50 Ω ; 96 pF/m).

(b) For $f_{RF} = 150 \text{ MHz}$:

mixer A frequency response measured = 150.3 MHz, loss = 1.3 dB

image suppression = 13 dB

C3 = 5 pF

C4 = 25 pF

l2 = semi rigid cable (RIM): 30 cm long

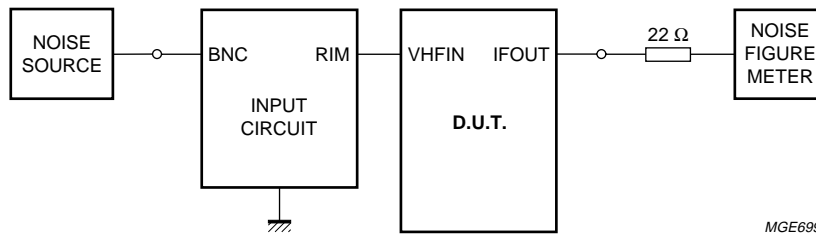
l3 = semi rigid cable (RIM): 5 cm long

(semi rigid cable (RIM); 33 dB/100 m; 50 Ω ; 96 pF/m).

Fig.13 Input circuit for optimum noise figure in VHF band.

5 V mixers/oscillators and synthesizers for cable TV and VCR 2-band tuners

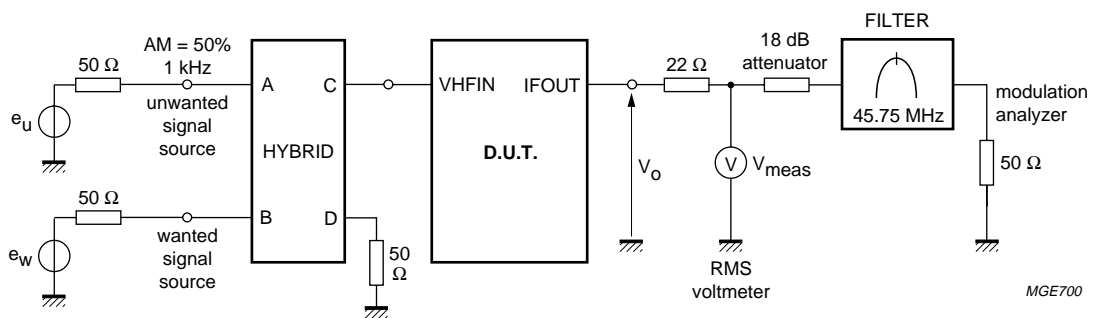
TDA6402; TDA6402A; TDA6403; TDA6403A



MGE699

$NF = NF_{meas} - \text{loss (of input circuit) (dB)}$.

Fig.14 Noise figure (NF) measurement in VHF band.



MGE700

$V_o = V_{meas} \times \frac{50 + 22}{50}$

Wanted output signal at $f_{RFW} = 55.25$ (361.25) MHz; $V_{o(w)} = 100$ dB μ V.

Measuring the level of the unwanted output signal $V_{o(u)}$ causing 0.5% AM modulation in the wanted output signal; $f_{RFU} = 59.75$ (366.75) MHz.

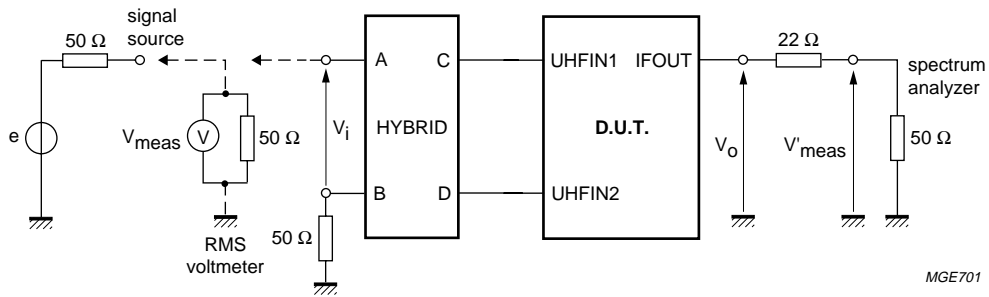
$f_{OSC} = 101$ (407) MHz.

Filter characteristics: $f_C = 45.75$ MHz, $f_{-3\text{dB(BW)}} = 1.4$ MHz, $f_{-30\text{dB(BW)}} = 3.1$ MHz.

Fig.15 Cross modulation measurement in VHF band.

5 V mixers/oscillators and synthesizers for cable TV and VCR 2-band tuners

TDA6402; TDA6402A;
TDA6403; TDA6403A



MGE701

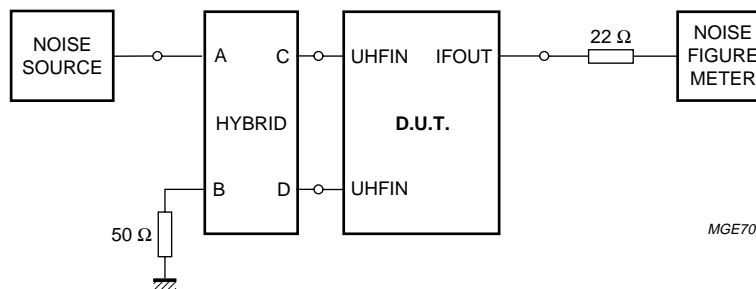
Loss (in hybrid) = 1 dB.

$V_i = V_{meas} - \text{loss (in hybrid)} = 70 \text{ dB}\mu\text{V}$.

$$V_o = V'_{meas} \times \frac{50 + 22}{50}$$

$$G_v = 20 \log \frac{V_o}{V_i}$$

Fig.16 Gain (G_v) measurement in UHF band.



MGE702

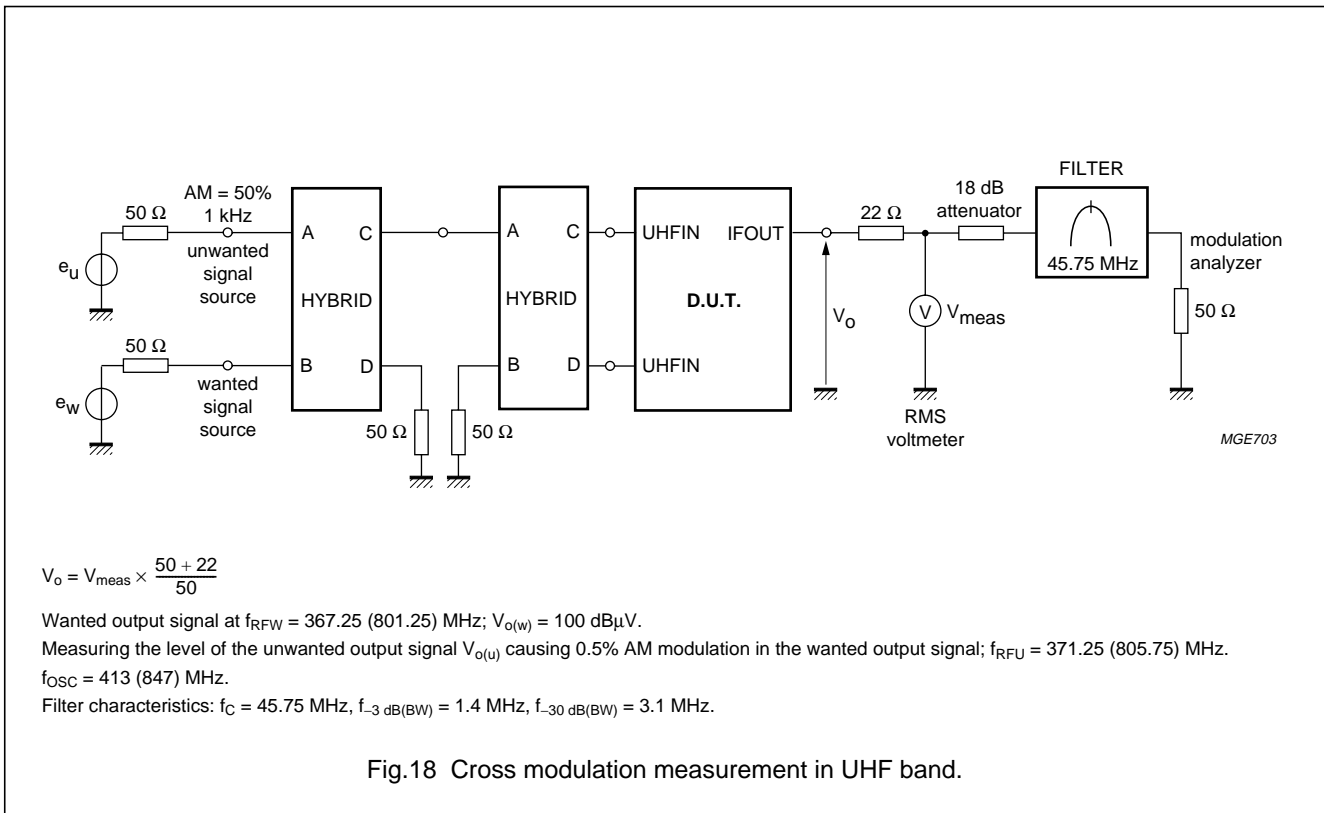
Loss (in hybrid) = 1 dB.

$NF = NF_{meas} - \text{loss (in hybrid)}$.

Fig.17 Noise figure (NF) measurement in bands UHF.

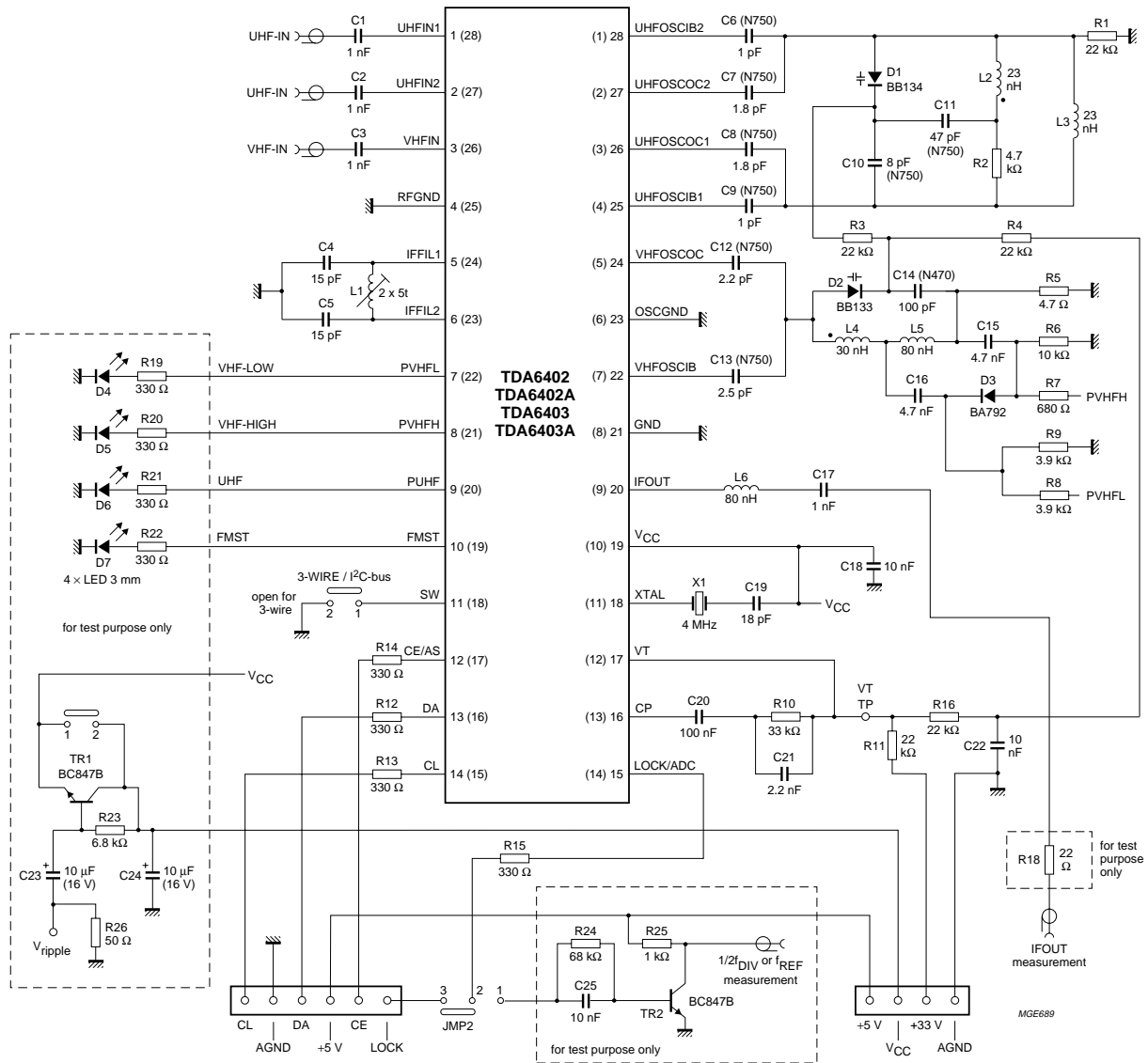
5 V mixers/oscillators and synthesizers for cable TV and VCR 2-band tuners

TDA6402; TDA6402A;
TDA6403; TDA6403A



5 V mixers/oscillators and synthesizers for cable TV and VCR 2-band tuners

TDA6402; TDA6402A; TDA6403; TDA6403A



The pin numbers in parenthesis represent the TDA6403 and TDA6403A.

Fig.19 Measurement circuit.

5 V mixers/oscillators and synthesizers for cable TV and VCR 2-band tuners

TDA6402; TDA6402A;
TDA6403; TDA6403A

Component values for measurement circuit

Table 13 Capacitors (all SMD and NP0)

COMPONENT	VALUE
C1	1 nF
C2	1 nF
C3	1 nF
C4	15 pF
C5	15 pF
C6	1 pF (N750)
C7	1.8 pF (N750)
C8	1.8 pF (N750)
C9	1 pF (N750)
C10	8 pF (N750)
C11	47 pF (N750)
C12	2.2 pF (N750)
C13	2.7 pF (N750)
C14	100 pF (N470)
C15	4.7 nF
C16	4.7 nF
C17	1 nF
C18	10 nF
C19	18 pF
C20	100 nF
C21	2.2 nF
C22	10 nF
C23	10 μ F (16 V; electrolytic)
C24	10 μ F (16 V; electrolytic)
C25	10 nF

Table 14 Resistors (all SMD)

COMPONENT	VALUE
R1	22 k Ω
R2	4.7 k Ω
R3	22 k Ω
R4	22 k Ω
R5	4.7 Ω
R6	10 k Ω
R7	680 Ω
R8	3.9 k Ω
R9	3.9 k Ω
R10	33 k Ω

COMPONENT	VALUE
R11	22 k Ω
R12	330 Ω
R13	330 Ω
R14	330 Ω
R15	330 Ω
R16	22 k Ω
R18	22 Ω
R19	330 Ω
R20	330 Ω
R21	330 Ω
R22	330 Ω
R23	6.8 k Ω
R24	68 k Ω
R25	1 k Ω
R26	50 Ω

Table 15 Diodes and ICs

COMPONENT	VALUE
D1	BB134
D2	BB133
D3	BA792
IC	TDA6402; TDA6402A; TDA6403; TDA6403A

Table 16 Coils (wire size 0.4 mm)

COMPONENT	VALUE
L2	23 nH
L3	23 nH
L4	30 nH
L5	80 nH
L6	80 nH

Table 17 Transformer (note 1)

COMPONENT	VALUE
L1	2 \times 5 turns

Note

- Coil type: TOKO 7kN; material: 113 kN; screw core: 03-0093; pot core: 04-0026.

5 V mixers/oscillators and synthesizers for cable TV and VCR 2-band tuners

TDA6402; TDA6402A;
TDA6403; TDA6403A

Table 18 Crystal

COMPONENT	VALUE
X1	4 MHz

Table 19 Transistors

COMPONENT	VALUE
TR1	BC847B
TR2	BC847B

Tuning amplifier

The tuning amplifier is capable of driving the varicap voltage without an external transistor. The tuning voltage output must be connected to an external load of 27 k Ω which is connected to the tuning voltage supply rail. The loop filter design depends on the oscillator characteristics and the selected reference frequency.

Crystal oscillator

The crystal oscillator uses a 4 MHz crystal connected in series with an 18 pF capacitor thereby operating in the series resonance mode. Connecting the oscillator to the supply voltage is preferred, but it can also be connected to ground.

Examples of I²C-bus sequences (SW = V_{CC}) for TDA6402 and TDA6403

Tables 20 to 24 show the various sequences where:

$$f_{\text{OSC}} = 100 \text{ MHz}$$

PVHFL = 'ON' to switch on VHF I

FMST is 'ON' to switch on an FM sound trap

$$I_{\text{CP}} = 280 \mu\text{A}$$

$$N = 512$$

$$f_{\text{XTAL}} = 4 \text{ MHz}$$

S = START

A = acknowledge

P = STOP.

For the complete sequence see Table 20 (sequence 1) or Table 21 (sequence 2).

Table 20 Complete sequence 1

START	ADDRESS BYTE		DIVIDER BYTE 1		DIVIDER BYTE 2		CONTROL BYTE		BAND SWITCH BYTE		STOP
S	C2	A	06	A	40	A	CE	A	09	A	P

Table 21 Complete sequence 2

START	ADDRESS BYTE		CONTROL BYTE		BAND SWITCH BYTE		DIVIDER BYTE 1		DIVIDER BYTE 2		STOP
S	C2	A	CE	A	09	A	06	A	40	A	P

Table 22 Divider bytes only sequence

S	C2	A	06	A	40	A	P
---	----	---	----	---	----	---	---

Table 23 Control and band switch bytes only sequence

S	C2	A	CE	A	09	A	P
---	----	---	----	---	----	---	---

Table 24 Control byte only sequence

S	C2	A	CE	A	P
---	----	---	----	---	---

Table 25 Status byte acquisition

S	C3	A	XX ⁽¹⁾	X ⁽²⁾	P
---	----	---	-------------------	------------------	---

Notes

1. XX = Read status byte.
2. X = No acknowledge from the master means end of sequence.

5 V mixers/oscillators and synthesizers for cable TV and VCR 2-band tuners

TDA6402; TDA6402A;
TDA6403; TDA6403A

Table 26 Two status bytes acquisition

S	C3	A	XX ⁽¹⁾	A	XX ⁽¹⁾	X ⁽²⁾	P
---	----	---	-------------------	---	-------------------	------------------	---

Notes

1. XX = Read status byte.
2. X = No acknowledge from the master means end of sequence.

Other I²C-bus addresses may be selected by applying an appropriate voltage to the CE input.

Examples of 3-wire bus sequences (SW = OPEN)

Table 27 18-bit sequence ($f_{OSC} = 800$ MHz; PUHF = ON)

1	0	0	0	1	1	0	0	1	0	0	0	0	0	0	0	0	0
---	---	---	---	---	---	---	---	---	---	---	---	---	---	---	---	---	---

The reference divider is automatically set to 512 assuming that RSB has been set to logic 1 at power-on. If RSB has been set to logic 0, in a previous 27-bit sequence, the reference divider will still be set at 640. In that event, the 18-bit sequence has to be adapted to the 640 divider ratio.

Table 28 19-bit sequence ($f_{OSC} = 650$ MHz; PUHF = ON)

1	0	0	0	0	1	0	1	0	0	0	1	0	1	0	0	0	0
---	---	---	---	---	---	---	---	---	---	---	---	---	---	---	---	---	---

The reference divider is automatically set to 512 assuming that RSB has been set to logic 1 at power-on. If RSB has been set to logic 0 in a previous 27-bit sequence, the reference divider will still be set at 640. In that event, the 19-bit sequence has to be adapted to the 640 divider ratio.

Table 29 27-bit sequence ($f_{OSC} = 750$ MHz; PUHF = ON; N = 640; $I_{CP} = 60$ μ A; no test function)

1	0	0	0	0	1	1	1	0	1	0	1	0	0	1	1	0	0	0	1	0	0	0	1	0	0	0
---	---	---	---	---	---	---	---	---	---	---	---	---	---	---	---	---	---	---	---	---	---	---	---	---	---	---

Table 30 19-bit sequence

1	0	0	0	0	1	0	1	1	1	0	1	1	1	0	0	0	0	0
---	---	---	---	---	---	---	---	---	---	---	---	---	---	---	---	---	---	---

This sequence will program f_{OSC} to 600 MHz in 50 kHz steps; I_{CP} remains at 60 μ A.

Table 31 18-bit sequence

1	0	0	0	1	0	1	1	1	0	1	1	1	0	0	0	0	0
---	---	---	---	---	---	---	---	---	---	---	---	---	---	---	---	---	---

This sequence will program f_{OSC} to 600 MHz in 50 kHz steps; I_{CP} remains at 60 μ A.

5 V mixers/oscillators and synthesizers for cable TV and VCR 2-band tuners

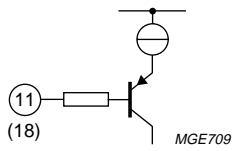
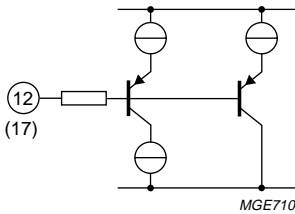
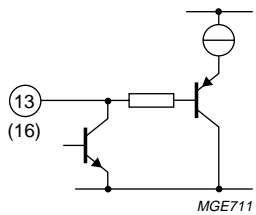
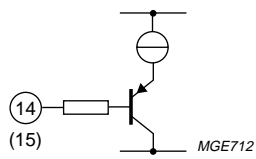
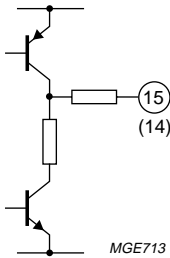
TDA6402; TDA6402A;
TDA6403; TDA6403A

INTERNAL PIN CONFIGURATION

SYMBOL	PIN		DESCRIPTION ⁽¹⁾	AVERAGE DC VOLTAGE (V) (measured in Fig.19)	
	TDA6402; TDA6402A	TDA6403; TDA6403A		VHF	UHF
UHFIN1	1	28	<p>MGE704</p>	note 2	1.0
UHFIN2	2	27		note 2	1.0
VHFIN	3	26	<p>MGE705</p>	1.8	note 2
RFGND	4	25	<p>MGE706</p>	0.0	0.0
IFFIL1	5	24	<p>MGE617</p>	3.6	3.6
IFFIL2	6	23		3.6	3.6
PVHFL	7	22	<p>MGE708</p>	0.0 or $(V_{CC} - V_{CE})$	0.0
PVVFH	8	21		$(V_{CC} - V_{CE})$ or 0.0	0.0
PUHF	9	20		0.0	$(V_{CC} - V_{CE})$
FMST	10	19		0.0 or $(V_{CC} - V_{CE})$	0.0

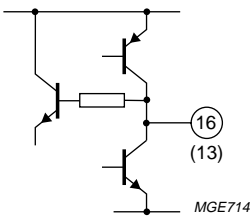
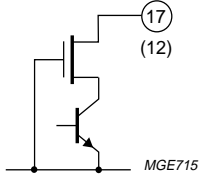
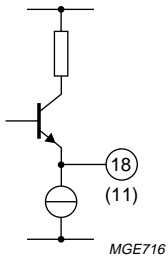
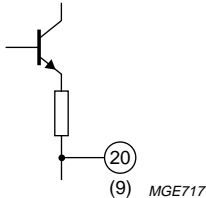
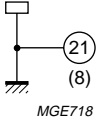
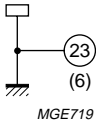
5 V mixers/oscillators and synthesizers for cable TV and VCR 2-band tuners

TDA6402; TDA6402A;
TDA6403; TDA6403A

SYMBOL	PIN		DESCRIPTION ⁽¹⁾	AVERAGE DC VOLTAGE (V) (measured in Fig.19)	
	TDA6402; TDA6402A	TDA6403; TDA6403A		VHF	UHF
SW	11	18		5.0	5.0
CE/AS	12	17		1.25	1.25
DA	13	16		note 2	note 2
CL	14	15		note 2	note 2
LOCK/ADC	15	14		4.6	4.6

5 V mixers/oscillators and synthesizers for cable TV and VCR 2-band tuners

TDA6402; TDA6402A;
TDA6403; TDA6403A

SYMBOL	PIN		DESCRIPTION ⁽¹⁾	AVERAGE DC VOLTAGE (V) (measured in Fig.19)	
	TDA6402; TDA6402A	TDA6403; TDA6403A		VHF	UHF
CP	16	13		1.9	1.9
VT	17	12		V_{VT}	V_{VT}
XTAL	18	11		3.4	3.4
V _{CC}	19	10	supply voltage	5.0	5.0
IFOUT	20	9		2.1	2.1
GND	21	8		0.0	0.0
OSCGND	23	6		0.0	0.0

5 V mixers/oscillators and synthesizers for cable TV and VCR 2-band tuners

TDA6402; TDA6402A;
TDA6403; TDA6403A

SYMBOL	PIN		DESCRIPTION ⁽¹⁾	AVERAGE DC VOLTAGE (V) (measured in Fig.19)	
	TDA6402; TDA6402A	TDA6403; TDA6403A		VHF	UHF
VHFOSCIB	22	7	<p>MGE720</p>	1.8	note 2
VHFOSCOC	24	5		3.0	note 2
UHFOSCIB1	25	4	<p>MGK825</p>	note 2	1.9
UHFOSCOC1	26	3		note 2	2.9
UHFOSCOC2	27	2		note 2	2.9
UHFOSCIB2	28	1		note 2	1.9

Notes

1. The pin numbers in parenthesis represent the TDA6403 and TDA6403A.
2. Not applicable.

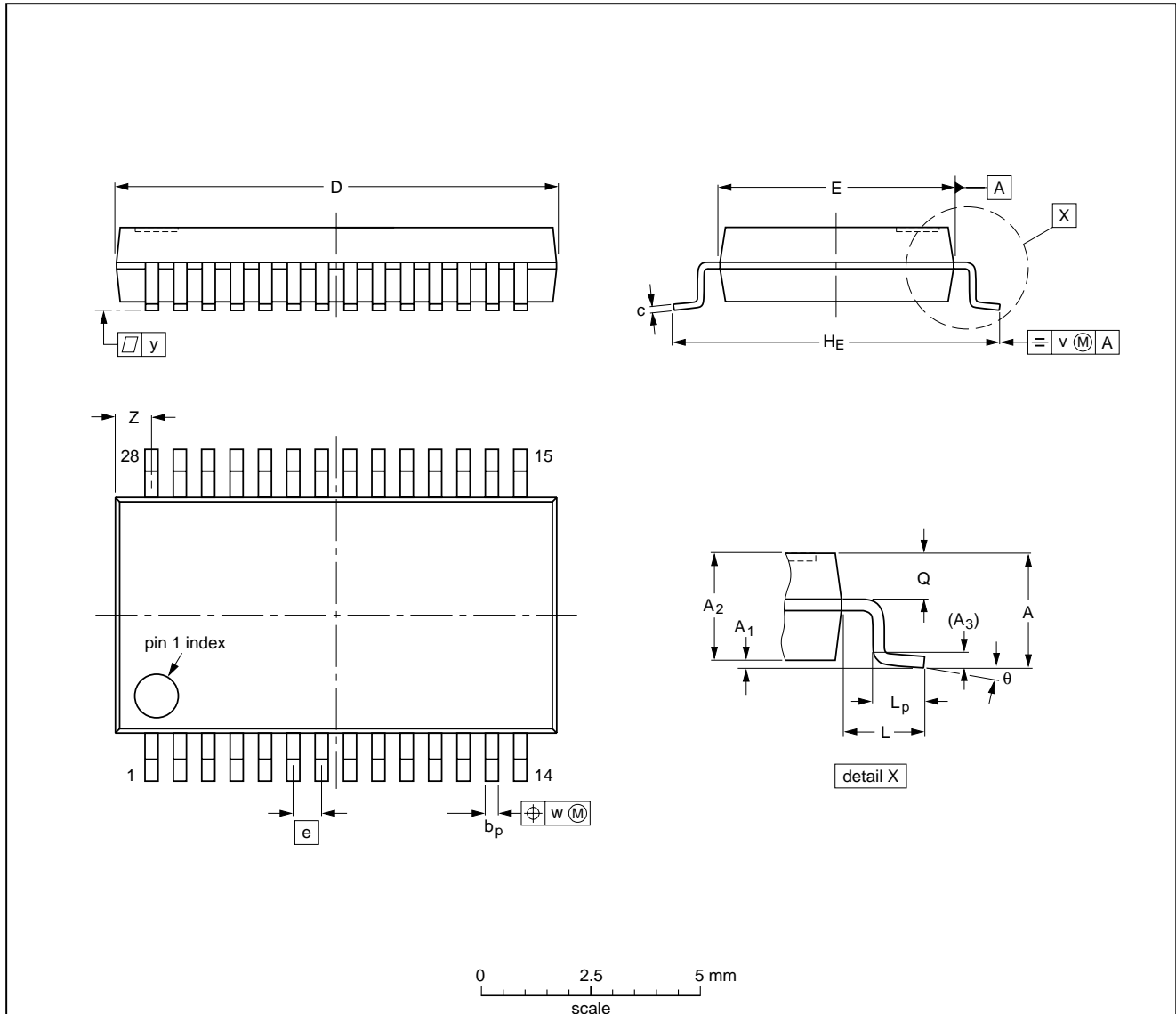
5 V mixers/oscillators and synthesizers for cable TV and VCR 2-band tuners

TDA6402; TDA6402A;
TDA6403; TDA6403A

PACKAGE OUTLINE

SSOP28: plastic shrink small outline package; 28 leads; body width 5.3 mm

SOT341-1



DIMENSIONS (mm are the original dimensions)

UNIT	A max.	A ₁	A ₂	A ₃	b _p	c	D ⁽¹⁾	E ⁽¹⁾	e	H _E	L	L _p	Q	v	w	y	z ⁽¹⁾	θ
mm	2.0	0.21 0.05	1.80 1.65	0.25	0.38 0.25	0.20 0.09	10.4 10.0	5.4 5.2	0.65	7.9 7.6	1.25	1.03 0.63	0.9 0.7	0.2	0.13	0.1	1.1 0.7	8° 0°

Note

1. Plastic or metal protrusions of 0.20 mm maximum per side are not included.

OUTLINE VERSION	REFERENCES				EUROPEAN PROJECTION	ISSUE DATE
	IEC	JEDEC	EIAJ			
SOT341-1		MO-150				95-02-04 99-12-27

5 V mixers/oscillators and synthesizers for cable TV and VCR 2-band tuners

TDA6402; TDA6402A;
TDA6403; TDA6403A

SOLDERING

Introduction to soldering surface mount packages

This text gives a very brief insight to a complex technology. A more in-depth account of soldering ICs can be found in our *"Data Handbook IC26; Integrated Circuit Packages"* (document order number 9398 652 90011).

There is no soldering method that is ideal for all surface mount IC packages. Wave soldering is not always suitable for surface mount ICs, or for printed-circuit boards with high population densities. In these situations reflow soldering is often used.

Reflow soldering

Reflow soldering requires solder paste (a suspension of fine solder particles, flux and binding agent) to be applied to the printed-circuit board by screen printing, stencilling or pressure-syringe dispensing before package placement.

Several methods exist for reflowing; for example, infrared/convection heating in a conveyor type oven. Throughput times (preheating, soldering and cooling) vary between 100 and 200 seconds depending on heating method.

Typical reflow peak temperatures range from 215 to 250 °C. The top-surface temperature of the packages should preferably be kept below 230 °C.

Wave soldering

Conventional single wave soldering is not recommended for surface mount devices (SMDs) or printed-circuit boards with a high component density, as solder bridging and non-wetting can present major problems.

To overcome these problems the double-wave soldering method was specifically developed.

If wave soldering is used the following conditions must be observed for optimal results:

- Use a double-wave soldering method comprising a turbulent wave with high upward pressure followed by a smooth laminar wave.
- For packages with leads on two sides and a pitch (e):
 - larger than or equal to 1.27 mm, the footprint longitudinal axis is **preferred** to be parallel to the transport direction of the printed-circuit board;
 - smaller than 1.27 mm, the footprint longitudinal axis **must** be parallel to the transport direction of the printed-circuit board.

The footprint must incorporate solder thieves at the downstream end.

- For packages with leads on four sides, the footprint must be placed at a 45° angle to the transport direction of the printed-circuit board. The footprint must incorporate solder thieves downstream and at the side corners.

During placement and before soldering, the package must be fixed with a droplet of adhesive. The adhesive can be applied by screen printing, pin transfer or syringe dispensing. The package can be soldered after the adhesive is cured.

Typical dwell time is 4 seconds at 250 °C.

A mildly-activated flux will eliminate the need for removal of corrosive residues in most applications.

Manual soldering

Fix the component by first soldering two diagonally-opposite end leads. Use a low voltage (24 V or less) soldering iron applied to the flat part of the lead. Contact time must be limited to 10 seconds at up to 300 °C.

When using a dedicated tool, all other leads can be soldered in one operation within 2 to 5 seconds between 270 and 320 °C.

5 V mixers/oscillators and synthesizers for
cable TV and VCR 2-band tuners

TDA6402; TDA6402A;
TDA6403; TDA6403A

Suitability of surface mount IC packages for wave and reflow soldering methods

PACKAGE	SOLDERING METHOD	
	WAVE	REFLOW ⁽¹⁾
BGA, LFBGA, SQFP, TFBGA	not suitable	suitable
HBCC, HLQFP, HSQFP, HSOP, HTQFP, HTSSOP, SMS	not suitable ⁽²⁾	suitable
PLCC ⁽³⁾ , SO, SOJ	suitable	suitable
LQFP, QFP, TQFP	not recommended ⁽³⁾⁽⁴⁾	suitable
SSOP, TSSOP, VSO	not recommended ⁽⁵⁾	suitable

Notes

1. All surface mount (SMD) packages are moisture sensitive. Depending upon the moisture content, the maximum temperature (with respect to time) and body size of the package, there is a risk that internal or external package cracks may occur due to vaporization of the moisture in them (the so called popcorn effect). For details, refer to the Drypack information in the "Data Handbook IC26; Integrated Circuit Packages; Section: Packing Methods".
2. These packages are not suitable for wave soldering as a solder joint between the printed-circuit board and heatsink (at bottom version) can not be achieved, and as solder may stick to the heatsink (on top version).
3. If wave soldering is considered, then the package must be placed at a 45° angle to the solder wave direction. The package footprint must incorporate solder thieves downstream and at the side corners.
4. Wave soldering is only suitable for LQFP, TQFP and QFP packages with a pitch (e) equal to or larger than 0.8 mm; it is definitely not suitable for packages with a pitch (e) equal to or smaller than 0.65 mm.
5. Wave soldering is only suitable for SSOP and TSSOP packages with a pitch (e) equal to or larger than 0.65 mm; it is definitely not suitable for packages with a pitch (e) equal to or smaller than 0.5 mm.

5 V mixers/oscillators and synthesizers for
cable TV and VCR 2-band tuners

TDA6402; TDA6402A;
TDA6403; TDA6403A

DEFINITIONS

Data sheet status	
Objective specification	This data sheet contains target or goal specifications for product development.
Preliminary specification	This data sheet contains preliminary data; supplementary data may be published later.
Product specification	This data sheet contains final product specifications.
Limiting values	
Limiting values given are in accordance with the Absolute Maximum Rating System (IEC 134). Stress above one or more of the limiting values may cause permanent damage to the device. These are stress ratings only and operation of the device at these or at any other conditions above those given in the Characteristics sections of the specification is not implied. Exposure to limiting values for extended periods may affect device reliability.	
Application information	
Where application information is given, it is advisory and does not form part of the specification.	

LIFE SUPPORT APPLICATIONS

These products are not designed for use in life support appliances, devices, or systems where malfunction of these products can reasonably be expected to result in personal injury. Philips customers using or selling these products for use in such applications do so at their own risk and agree to fully indemnify Philips for any damages resulting from such improper use or sale.

PURCHASE OF PHILIPS I²C COMPONENTS



Purchase of Philips I²C components conveys a license under the Philips' I²C patent to use the components in the I²C system provided the system conforms to the I²C specification defined by Philips. This specification can be ordered using the code 9398 393 40011.

5 V mixers/oscillators and synthesizers for
cable TV and VCR 2-band tuners

TDA6402; TDA6402A;
TDA6403; TDA6403A

NOTES

5 V mixers/oscillators and synthesizers for
cable TV and VCR 2-band tuners

TDA6402; TDA6402A;
TDA6403; TDA6403A

NOTES

Philips Semiconductors – a worldwide company

Argentina: see South America

Australia: 3 Figtree Drive, HOMEBUSH, NSW 2140,
Tel. +61 2 9704 8141, Fax. +61 2 9704 8139

Austria: Computerstr. 6, A-1101 WIEN, P.O. Box 213,
Tel. +43 1 60 101 1248, Fax. +43 1 60 101 1210

Belarus: Hotel Minsk Business Center, Bld. 3, r. 1211, Volodarski Str. 6,
220050 MINSK, Tel. +375 172 20 0733, Fax. +375 172 20 0773

Belgium: see The Netherlands

Brazil: see South America

Bulgaria: Philips Bulgaria Ltd., Energoproject, 15th floor,
51 James Bourchier Blvd., 1407 SOFIA,
Tel. +359 2 68 9211, Fax. +359 2 68 9102

Canada: PHILIPS SEMICONDUCTORS/COMPONENTS,
Tel. +1 800 234 7381, Fax. +1 800 943 0087

China/Hong Kong: 501 Hong Kong Industrial Technology Centre,
72 Tat Chee Avenue, Kowloon Tong, HONG KONG,
Tel. +852 2319 7888, Fax. +852 2319 7700

Colombia: see South America

Czech Republic: see Austria

Denmark: Sydhavnsgade 23, 1780 COPENHAGEN V,
Tel. +45 33 29 3333, Fax. +45 33 29 3905

Finland: Sinikalliontie 3, FIN-02630 ESPOO,
Tel. +358 9 615 800, Fax. +358 9 6158 0920

France: 51 Rue Carnot, BP317, 92156 SURESNES Cedex,
Tel. +33 1 4099 6161, Fax. +33 1 4099 6427

Germany: Hammerbrookstraße 69, D-20097 HAMBURG,
Tel. +49 40 2353 60, Fax. +49 40 2353 6300

Hungary: see Austria

India: Philips INDIA Ltd, Band Box Building, 2nd floor,
254-D, Dr. Annie Besant Road, Worli, MUMBAI 400 025,
Tel. +91 22 493 8541, Fax. +91 22 493 0966

Indonesia: PT Philips Development Corporation, Semiconductors Division,
Gedung Philips, Jl. Buncit Raya Kav.99-100, JAKARTA 12510,
Tel. +62 21 794 0040 ext. 2501, Fax. +62 21 794 0080

Ireland: Newstead, Clonskeagh, DUBLIN 14,
Tel. +353 1 7640 000, Fax. +353 1 7640 200

Israel: RAPAC Electronics, 7 Kehilat Saloniki St, PO Box 18053,
TEL AVIV 61180, Tel. +972 3 645 0444, Fax. +972 3 649 1007

Italy: PHILIPS SEMICONDUCTORS, Via Casati, 23 - 20052 MONZA (MI),
Tel. +39 039 203 6838, Fax +39 039 203 6800

Japan: Philips Bldg 13-37, Kohnan 2-chome, Minato-ku,
TOKYO 108-8507, Tel. +81 3 3740 5130, Fax. +81 3 3740 5057

Korea: Philips House, 260-199 Itaewon-dong, Yongsan-ku, SEOUL,
Tel. +82 2 709 1412, Fax. +82 2 709 1415

Malaysia: No. 76 Jalan Universiti, 46200 PETALING JAYA, SELANGOR,
Tel. +60 3 750 5214, Fax. +60 3 757 4880

Mexico: 5900 Gateway East, Suite 200, EL PASO, TEXAS 79905,
Tel. +9-5 800 234 7381, Fax +9-5 800 943 0087

Middle East: see Italy

Netherlands: Postbus 90050, 5600 PB EINDHOVEN, Bldg. VB,
Tel. +31 40 27 82785, Fax. +31 40 27 88399

New Zealand: 2 Wagener Place, C.P.O. Box 1041, AUCKLAND,
Tel. +64 9 849 4160, Fax. +64 9 849 7811

Norway: Box 1, Manglerud 0612, OSLO,
Tel. +47 22 74 8000, Fax. +47 22 74 8341

Pakistan: see Singapore

Philippines: Philips Semiconductors Philippines Inc.,
106 Valero St. Salcedo Village, P.O. Box 2108 MCC, MAKATI,
Metro MANILA, Tel. +63 2 816 6380, Fax. +63 2 817 3474

Poland: Al.Jerozolimskie 195 B, 02-222 WARSAW,
Tel. +48 22 5710 000, Fax. +48 22 5710 001

Portugal: see Spain

Romania: see Italy

Russia: Philips Russia, Ul. Usatcheva 35A, 119048 MOSCOW,
Tel. +7 095 755 6918, Fax. +7 095 755 6919

Singapore: Lorong 1, Toa Payoh, SINGAPORE 319762,
Tel. +65 350 2538, Fax. +65 251 6500

Slovakia: see Austria

Slovenia: see Italy

South Africa: S.A. PHILIPS Pty Ltd., 195-215 Main Road Martindale,
2092 JOHANNESBURG, P.O. Box 58088 Newville 2114,
Tel. +27 11 471 5401, Fax. +27 11 471 5398

South America: Al. Vicente Pinzon, 173, 6th floor,
04547-130 SÃO PAULO, SP, Brazil,
Tel. +55 11 821 2333, Fax. +55 11 821 2382

Spain: Balmes 22, 08007 BARCELONA,
Tel. +34 93 301 6312, Fax. +34 93 301 4107

Sweden: Kottbygatan 7, Akalla, S-16485 STOCKHOLM,
Tel. +46 8 5985 2000, Fax. +46 8 5985 2745

Switzerland: Allmendstrasse 140, CH-8027 ZÜRICH,
Tel. +41 1 488 2741 Fax. +41 1 488 3263

Taiwan: Philips Semiconductors, 6F, No. 96, Chien Kuo N. Rd., Sec. 1,
TAIPEI, Taiwan Tel. +886 2 2134 2886, Fax. +886 2 2134 2874

Thailand: PHILIPS ELECTRONICS (THAILAND) Ltd.,
209/2 Sanpavuth-Bangna Road Prakanong, BANGKOK 10260,
Tel. +66 2 745 4090, Fax. +66 2 398 0793

Turkey: Yukari Dudullu, Org. San. Blg., 2.Cad. Nr. 28 81260 Umraniye,
ISTANBUL, Tel. +90 216 522 1500, Fax. +90 216 522 1813

Ukraine: PHILIPS UKRAINE, 4 Patrice Lumumba str., Building B, Floor 7,
252042 KIEV, Tel. +380 44 264 2776, Fax. +380 44 268 0461

United Kingdom: Philips Semiconductors Ltd., 276 Bath Road, Hayes,
MIDDLESEX UB3 5BX, Tel. +44 208 730 5000, Fax. +44 208 754 8421

United States: 811 East Arques Avenue, SUNNYVALE, CA 94088-3409,
Tel. +1 800 234 7381, Fax. +1 800 943 0087

Uruguay: see South America

Vietnam: see Singapore

Yugoslavia: PHILIPS, Trg N. Pasica 5/v, 11000 BEOGRAD,
Tel. +381 11 3341 299, Fax.+381 11 3342 553

For all other countries apply to: Philips Semiconductors,
International Marketing & Sales Communications, Building BE-p, P.O. Box 218,
5600 MD EINDHOVEN, The Netherlands, Fax. +31 40 27 24825

Internet: <http://www.semiconductors.philips.com>

© Philips Electronics N.V. 2000

SCA 69

All rights are reserved. Reproduction in whole or in part is prohibited without the prior written consent of the copyright owner.

The information presented in this document does not form part of any quotation or contract, is believed to be accurate and reliable and may be changed without notice. No liability will be accepted by the publisher for any consequence of its use. Publication thereof does not convey nor imply any license under patent- or other industrial or intellectual property rights.

Printed in The Netherlands

545004/05/pp40

Date of release: 2000 Jan 24

Document order number: 9397 750 06728

Let's make things better.

Philips
Semiconductors



PHILIPS