

Wireless Components

Gain-controlled IF Amplifier

TDA6192 Version 2.1

Specification May 2002

CONFIDENTIAL		
Revision History: Current Version: V1.1, October 2000		
Previous Version:target Data Sheet V1.0, April 2000		
Page (in previous Version)	Page (in current Version)	Subjects (major changes since last revision)
all	all	version to V1.1, date to October 2000
div	div	TDA6192-V in VQFN-20 package
3-3 ff	3-3 ff	DC levels added
5-2	5-2	Thermal resistance TDA6192-T to 230 K/W
5-4	5-4	Current consumption: tbfs replaced

Revision History: Current Version: V1.2, March 2001		
Previous Version:target Data Sheet V1.1, October 2000		
Page (in previous Version)	Page (in current Version)	Subjects (major changes since last revision)
all	all	status to preliminary,version to V1.2, date to March 2001
5-2	5-2	Footnote ESD-Protection changed
5-4	5-4	Current consumption changed, VREF vs temperature: T_{amb} changed , IF input voltage: typ value added, Take-over point voltage: typ value added and disable threshold specified, IF AGC voltage deleted
5-5	5-5	Tuner AGC max. slope, Intermodulation, SNR: typ value added, OIP3 added
	5-7, 5-8, 5-9	Diagrams added

Revision History: Current Version: V1.3, April 2001		
Previous Version:target Data Sheet V1.2, March 2001		
Page (in previous Version)	Page (in current Version)	Subjects (major changes since last revision)
all	all	status to preliminary, version to V1.3, date to April 2001
3-4	3-4	pins 13, 14: DC level corrected
5-4	5-4	Current consumption corrected

Revision History: Current Version: V2.0, February 2002		
Previous Version:target Data Sheet V1.3, April 2001		
Page (in previous Version)	Page (in current Version)	Subjects (major changes since last revision)
all	all	status to final, version to V2.0, date to February 2002

Revision History: Current Version: V2.0, February 2002		
4-2, 4-3	4-2, 4-3	application circuits changed
5-2	5-2	thermal resistance TDA6192-V added
5-5	5-5	noise figure added, output impedance values added

Revision History: Current Version: V2.1, May 2002		
Previous Version: Data Sheet V2.0, February 2002		
Page (in previous Version)	Page (in current Version)	Subjects (major changes since last revision)
3-2, 3-3, 3-5, 4-2	3-2, 3-3, 3-5, 4-2	pinning of TDA6192-V changed

ABM®, AOP®, ARCOFI®, ARCOFI®-BA, ARCOFI®-SP, DigiTape®, EPIC®-1, EPIC®-S, ELIC®, FALC®54, FALC®56, FALC®-E1, FALC®-LH, IDEC®, IOM®, IOM®-1, IOM®-2, IPAT®-2, ISAC®-P, ISAC®-S, ISAC®-S TE, ISAC®-P TE, ITAC®, IWE®, MUSAC®-A, OCTAT®-P, QUAT®-S, SICAT®, SICOFI®, SICOFI®-2, SICOFI®-4, SICOFI®-4µC, SLICOFI® are registered trademarks of Infineon Technologies AG.

ACE™, ASM™, ASP™, POTSWIRE™, QuadFALC™, SCOUT™ are trademarks of Infineon Technologies AG.

Edition 03.99

Published by Infineon Technologies AG

**Balanstraße 73,
81541 München**

© Infineon Technologies AG 22.05.02.

All Rights Reserved.

Attention please!

As far as patents or other rights of third parties are concerned, liability is only assumed for components, not for applications, processes and circuits implemented within components or assemblies.

The information describes the type of component and shall not be considered as assured characteristics.

Terms of delivery and rights to change design reserved.

Due to technical requirements components may contain dangerous substances. For information on the types in question please contact your nearest Infineon Technologies Office.

Infineon Technologies AG is an approved CECC manufacturer.

Packing

Please use the recycling operators known to you. We can also help you – get in touch with your nearest sales office. By agreement we will take packing material back, if it is sorted. You must bear the costs of transport.

For packing material that is returned to us unsorted or which we are not obliged to accept, we shall have to invoice you for any costs incurred.

Components used in life-support devices or systems must be expressly authorized for such purpose!

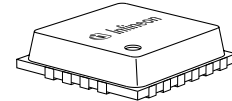
Critical components¹ of the Infineon Technologies AG, may only be used in life-support devices or systems² with the express written approval of the Infineon Technologies AG.

- 1 A critical component is a component used in a life-support device or system whose failure can reasonably be expected to cause the failure of that life-support device or system, or to affect its safety or effectiveness of that device or system.
- 2 Life support devices or systems are intended (a) to be implanted in the human body, or (b) to support and/or maintain and sustain human life. If they fail, it is reasonable to assume that the health of the user may be endangered.

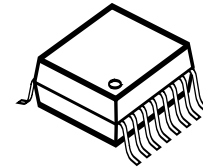
Product Info

General Description The **TDA6192** is a 5 V gain-controlled IF amplifier for digital and analog frontends

Package



TDA6192-V



TDA6192-T

- Features**
- Input frequency range 30 to 65 MHz
 - Low intermodulation distortion
 - 48 dB AGC range
 - balanced 1 Vpp buffered output
 - Input for gain-control voltage
 - Output for tuner AGC with take-over point adjust
 - Internal low noise reference voltage
 - Full ESD protection

- Application**
- IF amplifier in DVB-C, DVB-T, ATSC and ISDB-T frontends with direct IF-sampling.
 - IF amplifier in PAL or NTSC frontends

Ordering Information

Type	Ordering Code	Package
TDA6192-V	Q67037-A1125(tape and reel)	P-VQFN-20-3 (on request)
TDA6192-T	Q67037-A1073(tape and reel)	P-TSSOP-16-1

1

Table of Contents

1	Table of Contents	1-4
2	Product Description	2-1
2.1	General Description	2-2
2.2	Features	2-2
2.3	Application	2-2
2.4	Package Outlines	2-3
3	Functional Description	3-1
3.1	Pin Configuration	3-2
3.2	Internal Pin Configuration	3-3
3.3	Block Diagram	3-5
3.4	Circuit Description	3-6
4	Applications	4-1
4.1	TDA6192-V Evaluation board	4-2
4.2	TDA6192-T Evaluation board	4-3
5	Reference	5-1
5.1	Electrical Data	5-2
5.1.1	Absolute Maximum Ratings	5-2
5.1.2	Operating Range	5-3
5.1.3	AC/DC Characteristics	5-4
5.2	Electrical Diagrams	5-6
5.2.1	Gain vs. IF AGC voltage	5-6
5.2.2	Intermodulation and output IP3 vs. input voltage	5-7
5.2.3	Signal to noise ratio vs. input voltage	5-8
5.3	Measurement Circuit	5-9
5.3.1	Noise Measurement	5-9

2 Product Description

Contents of this Chapter

2.1	General Description	2-2
2.2	Features	2-2
2.3	Application	2-2
2.4	Package Outlines	2-3

2.1 General Description

The **TDA6192** device combines a gain-controlled amplifier, an output buffer to drive a following channel decoder IC and a delayed tuner AGC with take-over point adjustment. The gain is controlled by an external voltage.

2.2 Features

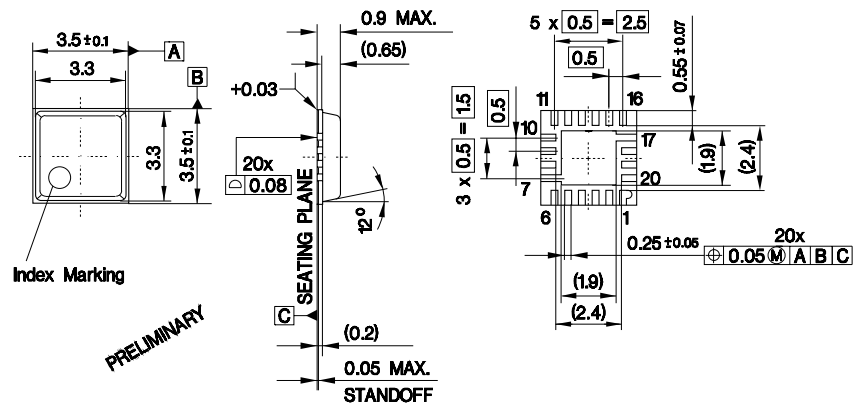
- Input frequency range 30 to 65 MHz
- Low intermodulation distortion
- 48 dB AGC range
- balanced 1 V_{pp} buffered output
- Input for gain-control voltage
- Output for tuner AGC with take-over point adjust
- Internal low noise reference voltage
- Full ESD protection

2.3 Application

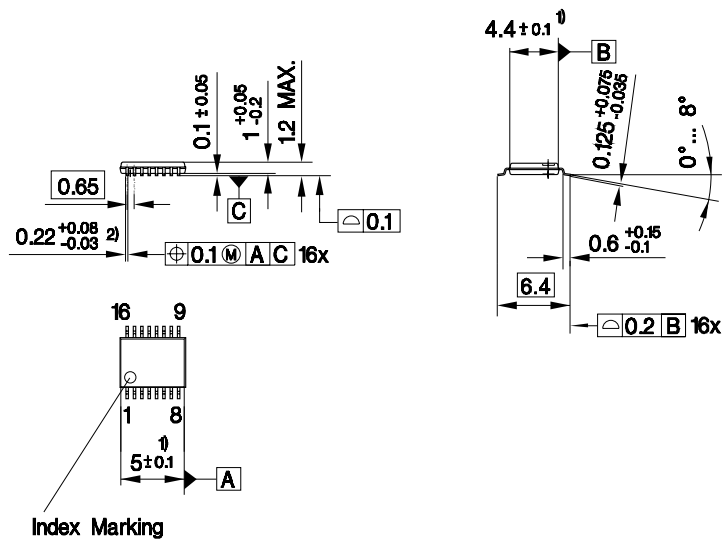
- IF amplifier in DVB-C, DVB-T, ATSC and ISDB-T frontends with direct IF- sampling.
- IF amplifier in PAL or NTSC frontends

2.4 Package Outlines

P-VQFN-20



P-TSSOP-16-1



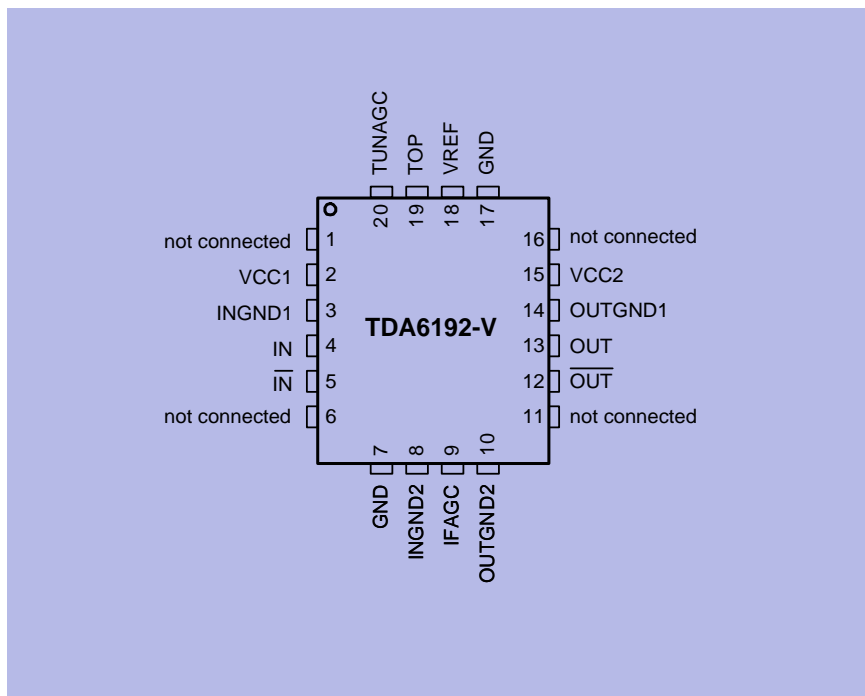
- 1) Does not include plastic or metal protrusion of 0.15 max. per side
- 2) Does not include dambar protrusion

3 Functional Description

Contents of this Chapter

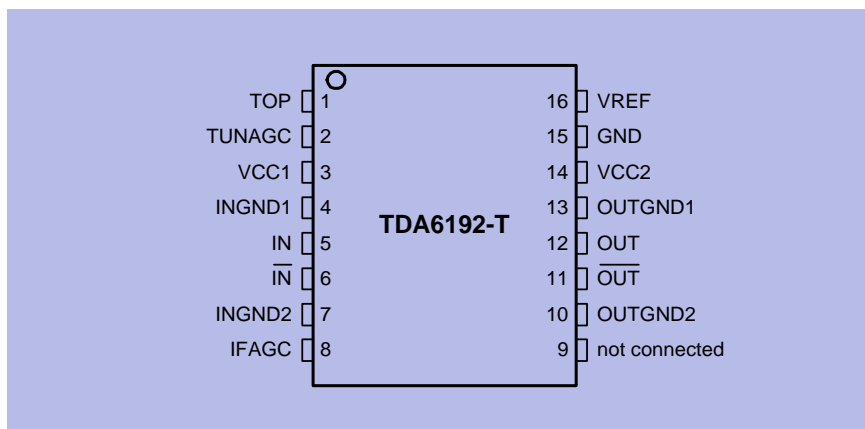
3.1	Pin Configuration	3-2
3.2	Internal Pin Configuration	3-3
3.3	Block Diagram	3-5
3.4	Circuit Description.	3-6

3.1 Pin Configuration



Pin-configVQFN20

Figure 3-1 TDA6192-V, Pin Configuration



PinconfigT

Figure 3-2 TDA6192-T, Pin Configuration

3.2 Internal Pin Configuration

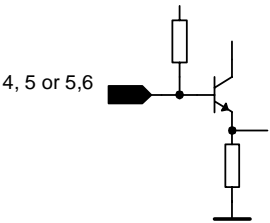
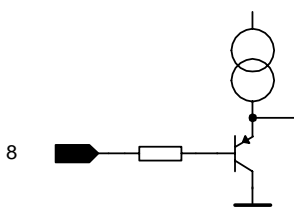
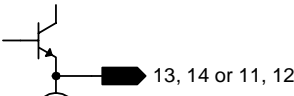

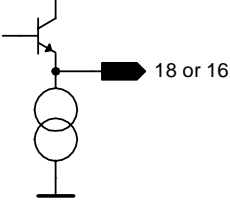
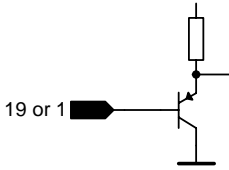
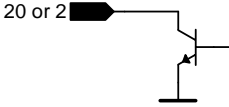
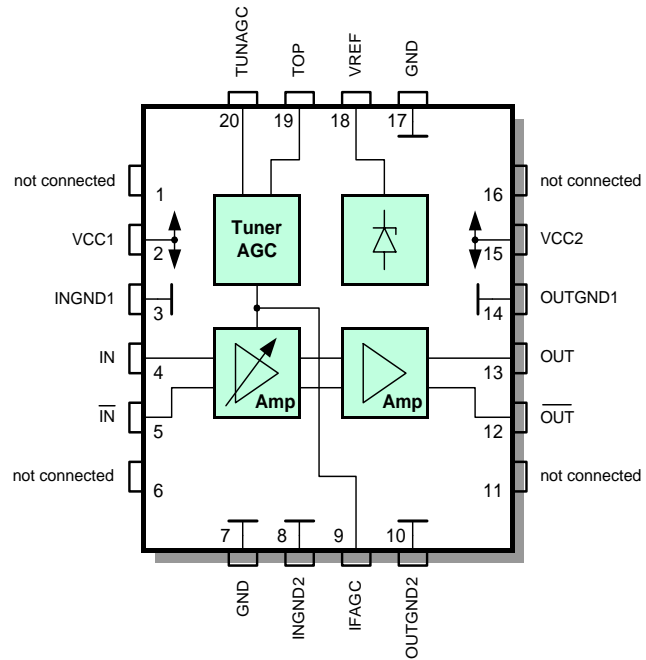
Table 3-1 Pin Definition and Function				
Pin No.		Symbol	Equivalent I/O-Schematic	Average DC voltage
TDA 6192-V	TDA 6192-T			
1	---	not connected	not connected	n.a.
2	3	VCC1	supply voltage	5.0 V
3	4	INGND1	ground	0.0 V
4	5	IN		3.6 V
5	6	$\overline{\text{IN}}$		3.6 V
6	---	not connected	not connected	n.a.
7	---	GND	ground	0.0 V
8	7	INGND2	ground	0.0 V
9	8	IFAGC		0 to 1.8 V
---	9	not connected		not connected
10	10	OUTGND2	ground	0.0 V
11	---	not connected	not connected	n.a.

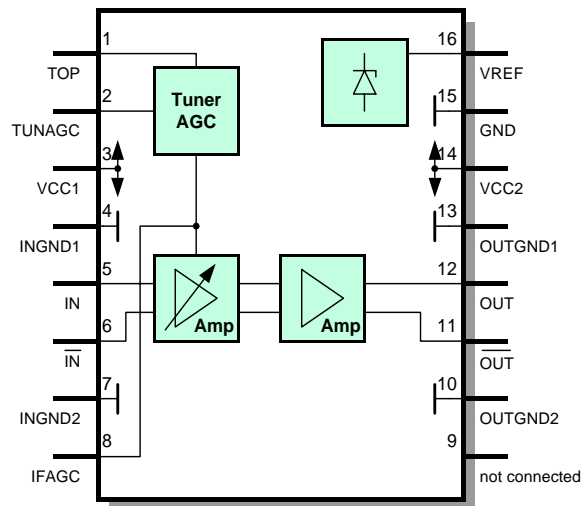
Table3-2 Table3-4		Table 3-5		
TDA 6192-V	TDA 6192-T	Symbol	Equivalent I/O-Schematic	Average DC voltage
12	11	$\overline{\text{OUT}}$		3.2 V
13	12	OUT		3.2V
14	13	OUTGND1	ground	0.0 V
15	14	VCC2	supply voltage	5.0 V
16	---	not connected	not connected	n.a.
17	15	GND	ground	0.0 V
18	16	VREF		3.6 V
19	1	TOP		0.2 to 1.6 V
20	2	TUNAGC		0.5 to 5 V

3.3 Block Diagram



BlockdiagramVQFN20

Figure 3-3 TDA6192-V, Block Diagram



BlockdiagramT

Figure 3-4 TDA6192-T, Block Diagram

3.4 Circuit Description

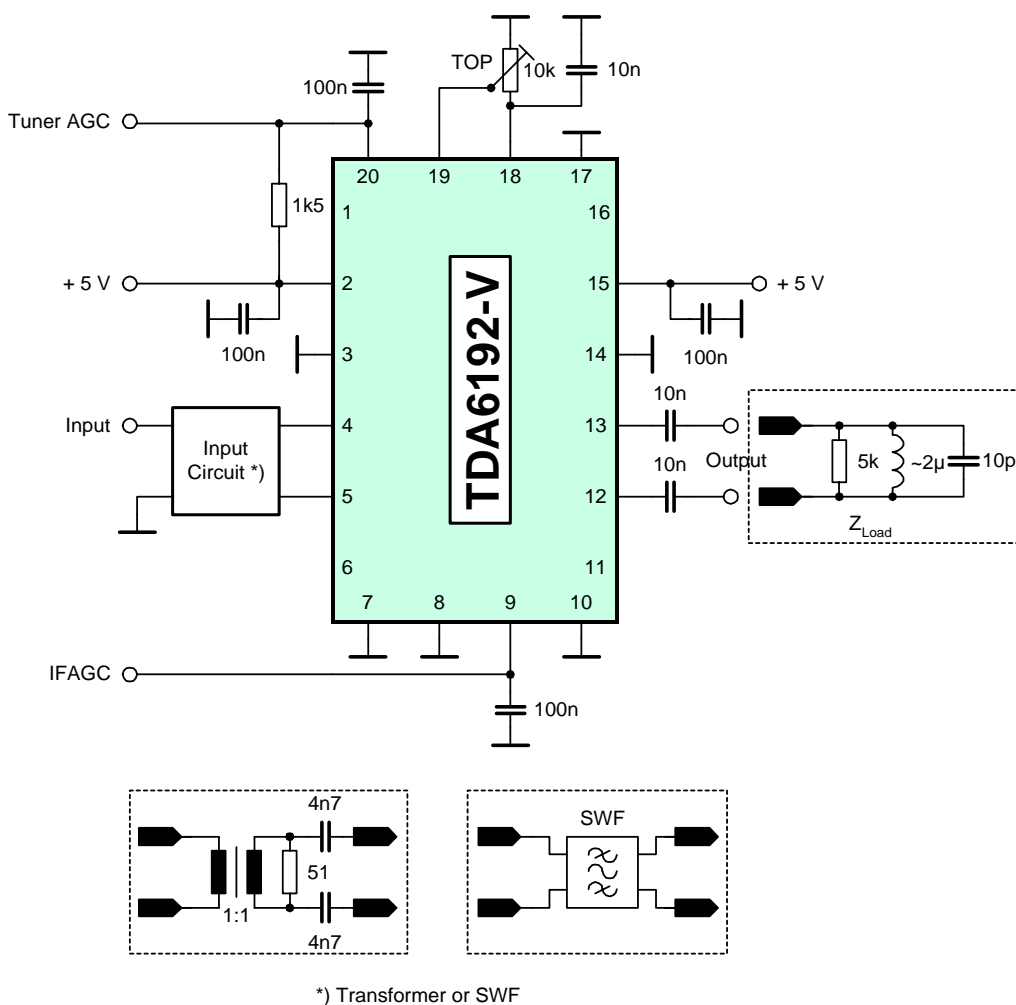
The **TDA6192** device combines an AGC amplifier, an output buffer to drive a following demodulator IC , a delayed tuner AGC with take-over point adjustment, and a low noise reference source VREF. The gain of the AGC amplifier is controlled by an external voltage. VREF is used as a reference for the take-over point adjustment of the tuner AGC voltage. TUNAGC is an open-collector output.

4 Applications

Contents of this Chapter

4.1	TDA6192-V Evaluation board	4-2
4.2	TDA6192-T Evaluation board	4-3

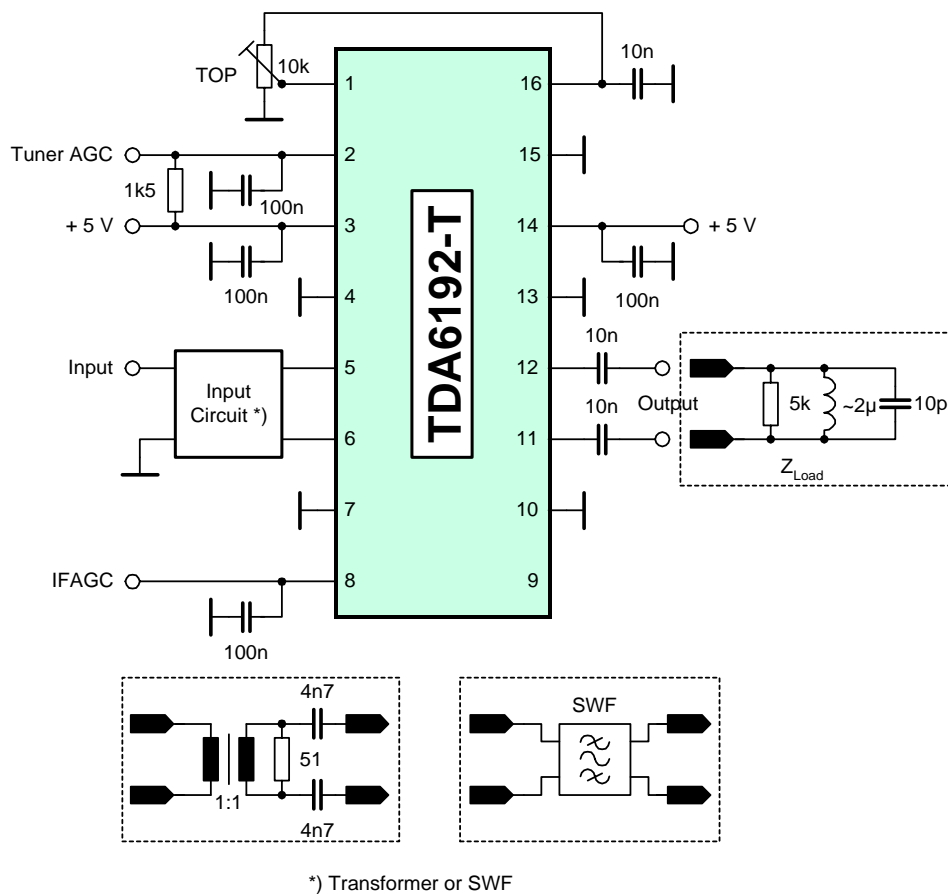
4.1 TDA6192-V Evaluation board



Application Circuit VQFN20

Figure 4-1 TDA6192-V Evaluation board, circuit diagram

4.2 TDA6192-T Evaluation board



Application Circuit T

Figure 4-2 TDA6192-T Evaluation board, circuit diagram

5 Reference

Contents of this Chapter

5.1	Electrical Data	5-2
5.1.1	Absolute Maximum Ratings	5-2
5.1.2	Operating Range	5-3
5.1.3	AC/DC Characteristics	5-4
5.2	Electrical Diagrams	5-6
5.2.1	Gain vs. IF AGC voltage	5-6
5.2.2	Intermodulation and output IP3 vs. input voltage	5-7
5.2.3	Signal to noise ratio vs. input voltage	5-8
5.3	Measurement Circuit.	5-9
5.3.1	Noise Measurement	5-9

5.1 Electrical Data

5.1.1 Absolute Maximum Ratings



WARNING

The maximum ratings may not be exceeded under any circumstances, not even momentarily and individually, as permanent damage to the IC may result.

Table 5-1 Absolute Maximum Ratings					
Parameter ¹⁾	Symbol	Limit Values		Unit	Remarks
		min	max		
Supply voltage	V_{CC1}, V_{CC2}	-0.3	6	V	
Supply voltage difference	$\Delta V_{CC1}, V_{CC2}$	-0.3	+0.3	V	
Ambient temperature TDA6192-V	T_{AMB}	-20	+85	°C	
Ambient temperature TDA6192-T	T_{AMB}	-20	+70	°C	
Junction temperature	T_J		+125	°C	
Storage temperature	T_S	-40	+125	°C	
Thermal resistance TDA6192-V (junction to ambient)	R_{thJA}		70	K/W	
Thermal resistance TDA6192-T (junction to ambient)	R_{thJA}		230	K/W	
IF input	$V_{IF/\bar{I}F}$	-0.3	4	V	
IF output	$I_{OUT/\bar{O}UT}$	-5	1	mA	
AGC input	V_{IFAGV}	-0.3	V_{CC1}	V	
Tuner AGC take-over point adjust	V_{TOP}	-0.3	V_{CC1}	V	
Tuner AGC output	V_{TUNAGC}	-0.3	6	V	
ESD-Protection ²⁾					
all pins	V_{ESD}	-2	+2	kV	HBM

1).All values are referred to ground (pin), unless stated otherwise.

Currents with a positive sign flow into the pin and currents with a negative sign flow out of pin.

2).According to EIA/JESD22-A114-B (HBM incircuit test), as a single device incircuit contact discharge test.

5.1.2 Operating Range

Within the operational range the IC operates as described in the circuit description. The AC / DC characteristic limits are not guaranteed.

Table 5-2 Operating Range						
Parameter	Symbol	Limit Values		Unit	Test Conditions	Item
		min	max			
Supply voltage	V_{CC1} , V_{CC2}	4.5	5.5	V		
Frequency range	f	30	65	MHz		
Ambient temperature TDA6192-V	T_{AMB}	- 20	+ 85	°C		
Ambient temperature TDA6192-T	T_{AMB}	- 20	+ 70	°C		

5.1.3 AC/DC Characteristics

AC/DC characteristics involve the spread of values guaranteed in the specified supply voltage and ambient temperature range. Typical characteristics are the median of the production.

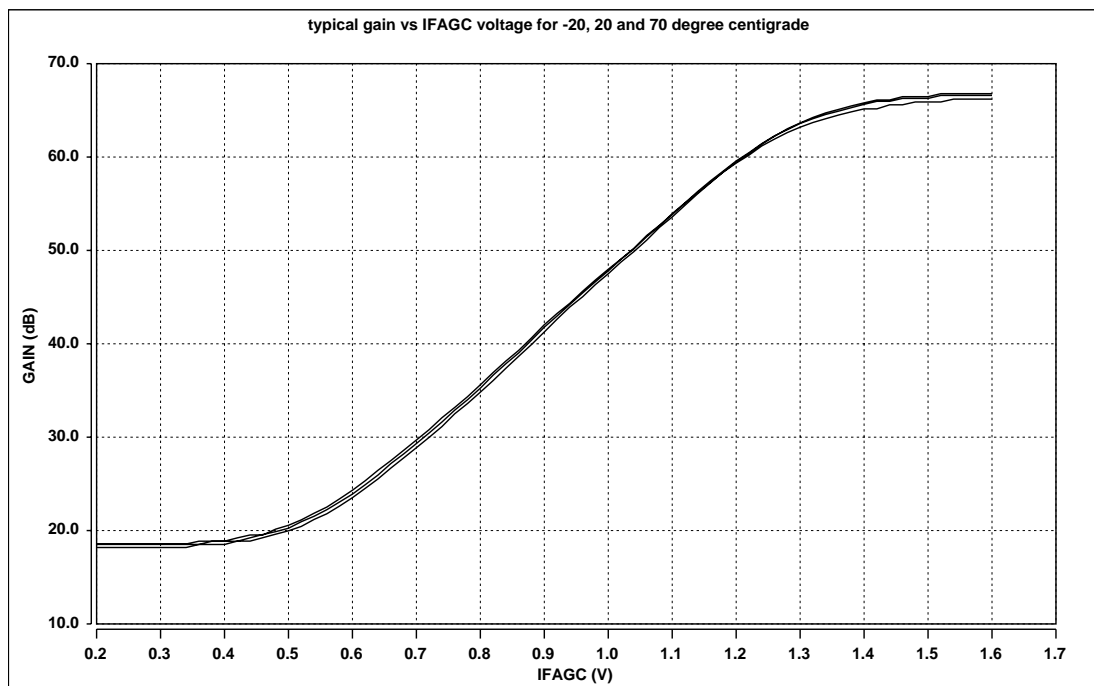
Table 5-3 AC/DC Characteristics with $T_{AMB} = 25\text{ }^{\circ}\text{C}$, $V_{CC1} = V_{CC2} = 5\text{ V}$								
	Symbol	Limit Values			Unit	Test Conditions	L	Item
		min	typ	max				
Power supply, reference voltage								
Current consumption	I_{CC1}		18	22	mA	max. gain		
Current consumption	I_{CC1}		10	12	mA	min. gain		
Current consumption	I_{CC2}		9		mA			
Reference voltage	V_{REF}	3.3	3.6	3.9	V			
VREF line regulation	$\Delta V_{REFLINE}$			30	mV	$V_{CC1} = V_{CC2} = 4.5\text{ to }5.5\text{ V}$		
VREF load regulation	$\Delta V_{REFLOAD}$			30	mV	$I_{VREF} = -0.5\text{ to }0.5\text{ mA}$		
VREF vs temperature	$\Delta V_{REFTEMP}$	-30	10	30	mV	$T_{AMB} = -20\text{ to }70\text{ }^{\circ}\text{C}$		
AGC amplifier, tuner AGC								
Static characteristics								
IF input voltage	$V_{IF/IF}$		V_{REF}					
Take-over point voltage	V_{TOP}	0		2	V	Tuner AGC is enabled		
	V_{TOP}	3.0		V_{CC}	V	Tuner AGC is disabled		
Take-over point disable threshold		2.0	2.3	3.0	V			
Take-over point current	I_{TOP}	-1		1	μA	$V_{TOP} = 0\text{ V}$		
Tuner AGC current	I_{TUNAGC}	2.5	3.5	5	mA	$V_{TUNAGC} = 0.5\text{ V}$, $V_{IFAGC} = 1.0\text{ V}$, $V_{TOP} = 1.5\text{ V}$		
Tuner AGC current	I_{TUNAGC}	0		10	μA	$V_{TUNAGC} = 6\text{ V}$, $V_{IFAGC} = 1.0\text{ V}$, $V_{TOP} = 0.5\text{ V}$		
Dynamic characteristics								
Voltage gain, see 5.2.1 Gain vs. IF AGC voltage on page 6	G_{max}	63	67	71	dB	$V_{IFAGC} \geq 1.6\text{ V}$		
	G_{min}		19		dB	$V_{IFAGC} \leq 0.2\text{ V}$		

Table 5-4 AC/DC Characteristics with $T_{AMB} = 25\text{ }^{\circ}\text{C}$, $V_{CC1} = V_{CC2} = 5\text{ V}$ (continued)

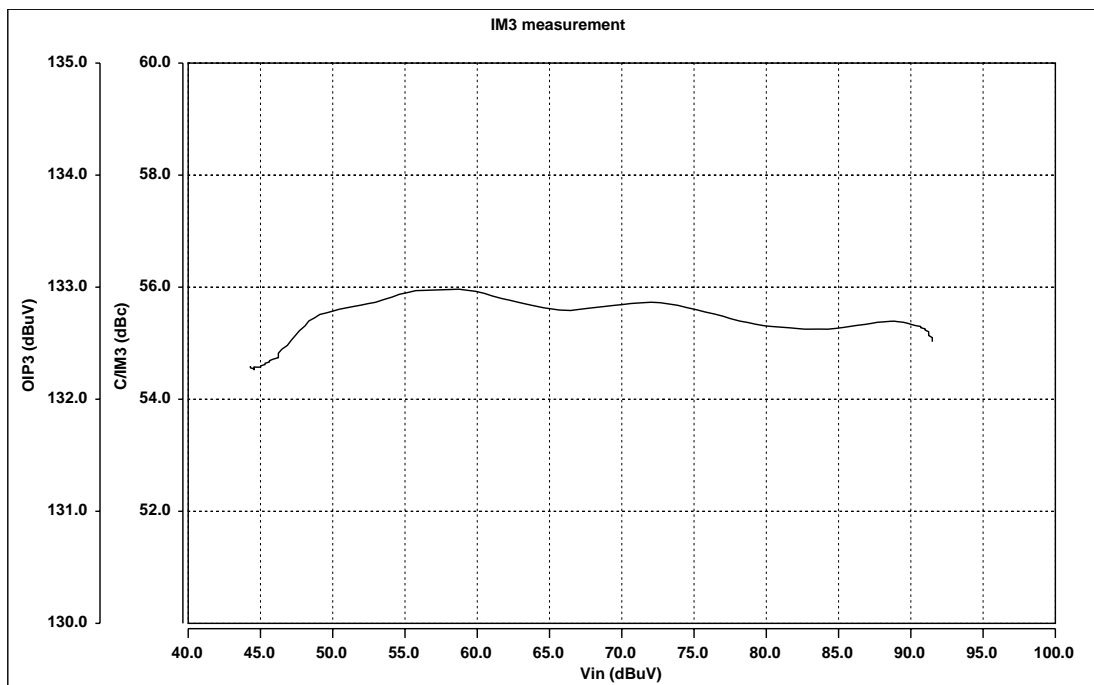
	Symbol	Limit Values			Unit	Test Conditions	L	Item
		min	typ	max				
Maximum IF input level	$V_{IF/IF}$	88	92	96	dB μ V	min. gain, $f_{IF/IF} = 36\text{ MHz}$ (sine), $V_{IFAGC} = 0.2\text{ V}$, $V_{OUT/OUT} = 1\text{ V}_{pp}$		
Minimum IF input level	$V_{IF/IF}$		44			max. gain, $f_{IF/IF} = 36\text{ MHz}$ (sine), $V_{IFAGC} = 1.6\text{ V}$, $V_{OUT/OUT} = 1\text{ V}_{pp}$		
Input impedance	$R_{IF/IF}$	1.5	2	2.5	k Ω	$f_{IF/IF} = 36\text{ MHz}$, parallel equivalent circuit		
	$C_{IF/IF}$		1.5		pF			
Tuner AGC max. slope	$\Delta I_{TUNAGC} / \Delta V_{IFAGC}$	25	36	50	mAV	$V_{IFAGC} = 0.9\text{ to }1.1\text{ V}$, $V_{TOP} = 1.0\text{ V}$, $V_{TUNAGC} = 0.5\text{ V}$		
Low end cutoff frequency (-1 dB)	f_L			25	MHz	$V_{IF/IF} = 60\text{ dB}\mu\text{V}$, $R_{LOAD} \geq 5\text{ k}\Omega$,		
High end cutoff frequency (-1 dB)	f_H	65			MHz	$C_{LOAD} \leq 1.5\text{ pF}$, $V_{OUT/OUT} = 1\text{ V}_{pp}$ at $f_{IF/IF} = 36\text{ MHz}$ (sine)		
Intermodulation, see 5.2.2 Intermodulation and output IP3 vs. input voltage on page 7	C/IM3	50	56		dBc	$f_{IF/IF1} = 37\text{ MHz}$, $f_{IF/IF2} = 38\text{ MHz}$, $V_{IF/IF1} = 60\text{ dB}\mu\text{V}$, $V_{IF/IF2} = 60\text{ dB}\mu\text{V}$ $R_{LOAD} \geq 5\text{ k}\Omega$, $C_{LOAD} \leq 10\text{ pF}$, $L_{LOAD} \sim 2\text{ }\mu\text{H}$, $V_{OUT/OUT} = 1\text{ V}_{pp}$		
Third order output intercept point, see 5.2.2 Intermodulation and output IP3 vs. input voltage on page 7	OIP3		133		dB μ V	$f_{IF/IF1} = 37\text{ MHz}$, $f_{IF/IF2} = 38\text{ MHz}$, $V_{IF/IF1} = 60\text{ dB}\mu\text{V}$, $V_{IF/IF2} = 60\text{ dB}\mu\text{V}$ $R_{LOAD} \geq 5\text{ k}\Omega$, $C_{LOAD} \leq 10\text{ pF}$, $L_{LOAD} \sim 2\text{ }\mu\text{H}$, $V_{OUT/OUT} = 1\text{ V}_{pp}$		
Signal to noise ratio, see 5.2.3 Signal to noise ratio vs. input voltage on page 8	SNR	35	43		dB	$f_{IF/IF} = 36\text{ MHz}$ (sine), $V_{IF/IF} = 60\text{ dB}\mu\text{V}$, $V_{OUT/OUT} = 1\text{ V}_{pp}$, BW = 8 MHz		
Noise figure			10	12	dB	max. gain, see 5.3.1 on page 9		
Output impedance	$R_{IF/IF}$		60	100	Ω	$f_{OUT/OUT} = 36\text{ MHz}$, series equivalent circuit		
	$L_{IF/IF}$		33		nH			

5.2 Electrical Diagrams

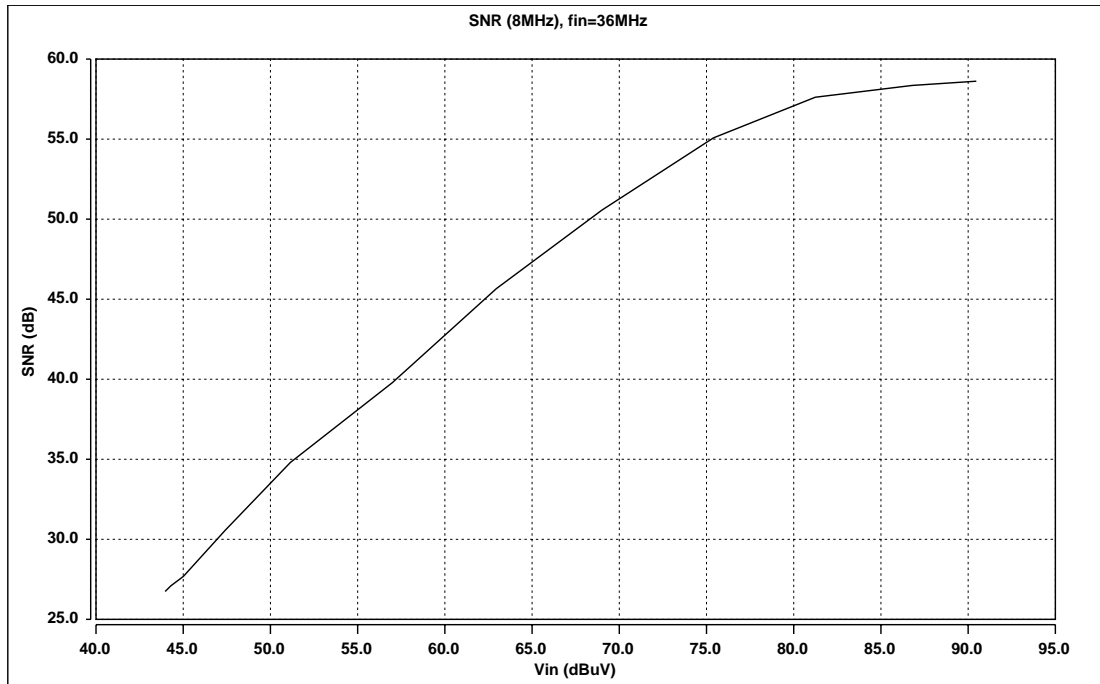
5.2.1 Gain vs. IF AGC voltage



5.2.2 Intermodulation and output IP3 vs. input voltage

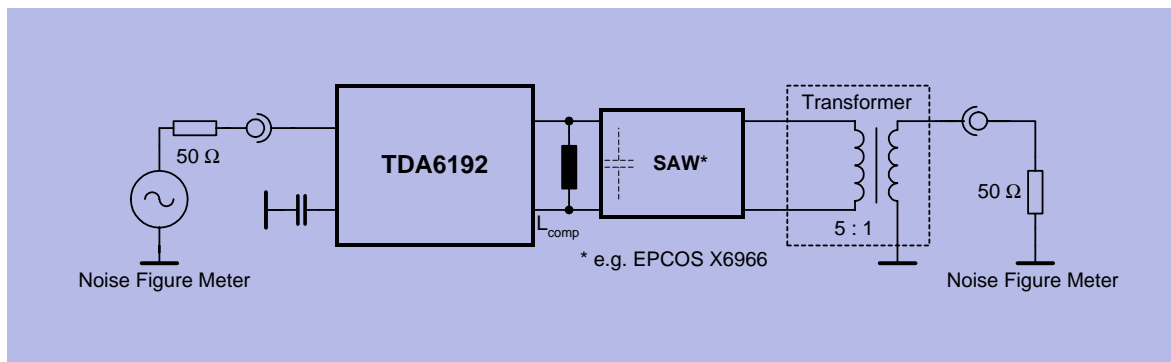


5.2.3 Signal to noise ratio vs. input voltage



5.3 Measurement Circuit

5.3.1 Noise Measurement



NoisM