

DM9332EP Product Brief

10/100Mbps Ethernet Fiber/Twisted Pair Single Chip Media Converter

March 2009 Rev.1.0

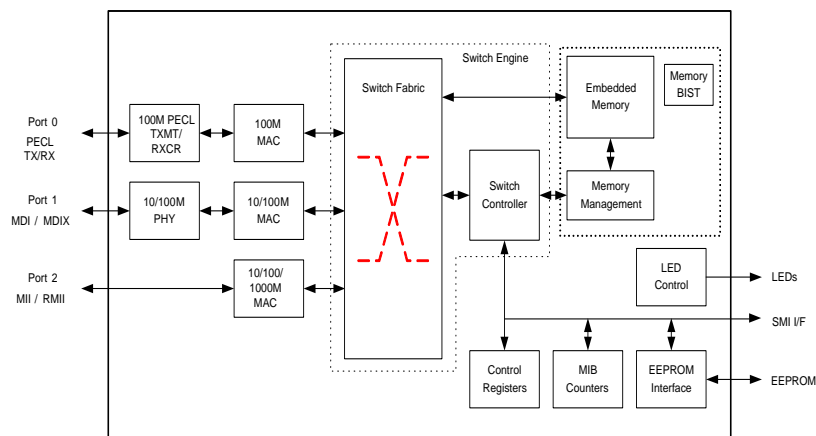
The DM9332 is a fully integrated and cost-effective 10/100Mbps Ethernet Fiber/Twisted Pair Single Chip Media Converter with MII/RMII Interface.

This new product provides basic Layer-2 switch functions and advance IEEE 802.1Q VLAN, priority queuing scheme.

Besides the DM9332 Fiber converter is complies with IEEE802.3 standards, and designed for convert data signal between 10/100 Base-TX and 100 Base-FX fast Ethernet.

Media converters are connected between Fiber cable and twisted cable segments with network and also the simplest way to interconnect any equipment's 100BASE-TX / 10BASE-T to the 100BASE-FX interface network.

Block Diagram

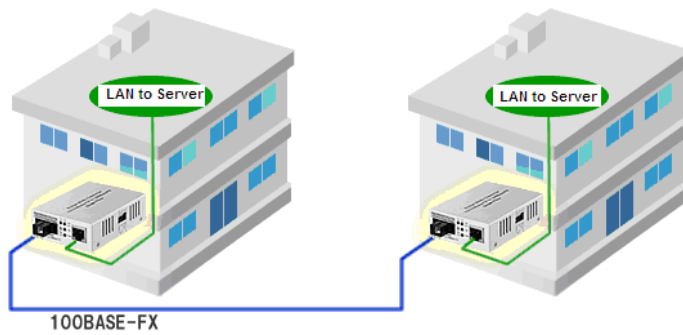


Specifications

- 10/100BASE-TX/FX switch base single-chip media converter
- Compliant with IEEE802.3u 100BASE-TX standard, Compliant with ANSI X3T12 TP-PMD 1995 standard, Compliant with ANSI X3.166 FDDI-PMD
- Ethernet Switch with two 10/100Mb PHY with one MII/RMII/Reverse MII interface
- Per port supports 4 priority queues by Port-based, 802.1P VLAN, and IP TOS priority.
- Support 802.1Q VLAN up-to 16 VLAN group.
- Support VLAN ID tag/untag options
- Per port support bandwidth, ingress and egress rate control.

- Support Broadcast Storming filter function
- Support Store and Forward switching approach
- Support IEEE 802.3x Flow Control in Full-duplex mode.
- Support Back Pressure Flow Control in Half-duplex mode.
- Recode up-to 1K Uni-cast MAC addresses
- Automatic aging scheme
- EEPROM interface for power up configurations
- Support MIB-II counters
- Compatible with 3.3V and 5.0V tolerant I/O
- DSP PHY with HP Auto-MDIX, DSP architecture PHY Transceiver.
- 64-pin LQFP, 0.18 um process, support Lead-Free and Halogen-Free

Application



- 10/100Mbps Fiber Converter



Multi Mode

SINGLE-MODE

8Port Fiber Switch

16Port Fiber Switch

Ordering Information

Part Number	Pin Count	Package
DM9332EP	64	LQFP (Pb-Free)

DAVICOM Semiconductor, Inc.

No.6, Li-Hsin Rd.VI, Science Park, Hsin-Chu, Taiwan, R.O.C.

TEL: 886-3-5798797

FAX: 886-3-5646929

E-mail: sales@davicom.com.tw