

# DM9302EP Product Brief

## 10/100Mbps Ethernet Fiber/Twisted Pair Single Chip Media Converter with Local bus

March 2009 Rev.1.0

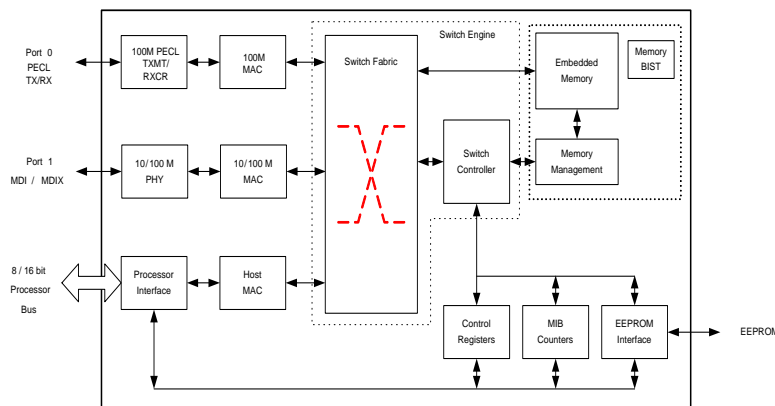
The DM9302 is a fully integrated and cost-effective 10/100Mbps Ethernet Fiber/Twisted Pair Single Chip Media Converter with Local bus

This new product provides basic Layer-2 switch functions and advance IEEE 802.1Q VLAN, priority queuing scheme.

The DM9302 Fiber converter is complied with IEEE802.3 standards, and designed to convert data signal between 10/100 Base-TX and 100 Base-FX fast Ethernet.

Media converters are connected between Fiber cable and twisted cable segments with network and also the simplest way to interconnect any equipment's 100BASE-TX / 10BASE-T to the 100BASE-FX interface network.

## Block Diagram

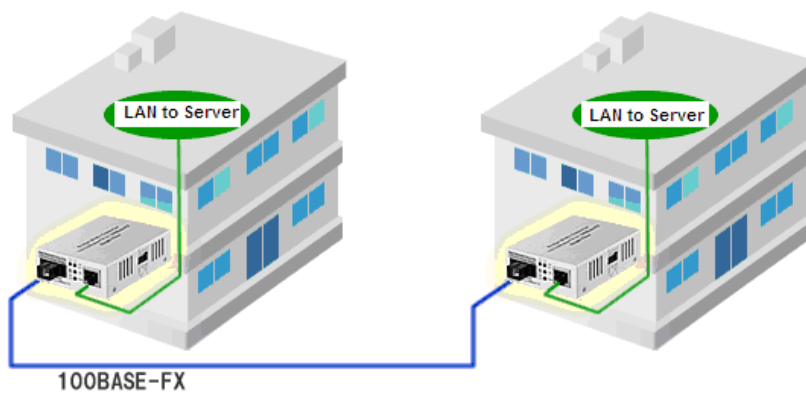


## Specifications

- 10/100BASE-TX/FX switch base single-chip media converter
- Compliant with IEEE802.3u 100BASE-TX standard, Compliant with ANSI X3T12 TP-PMD 1995 standard, Compliant with ANSI X3.166 FDDI-PMD
- 8/16-bit Processor Interface
- Per port supports 4 priority queues by Port-based, 802.1P VLAN, and IP TOS priority.
- Support 802.1Q VLAN up-to 16 VLAN group
- Support VLAN ID tag/untag options
- Per port support bandwidth, ingress and egress rate control
- Support Broadcast Storming filter function
- Support Store and Forward switching approach
- Support IEEE 802.3x Flow Control in Full-duplex mode
- Support Back Pressure Flow Control in Half-duplex mode
- Recode up-to 1K Uni-cast MAC addresses

- Automatic aging scheme
- EEPROM interface for power up configurations
- Support MIB-II counters
- Local bus slave architecture
- TCP/IP/UDP/IPv4 checksum offload
- Compatible with 3.3V and 5.0V tolerant I/O
- DSP PHY with HP Auto-MDIX, DSP architecture PHY Transceiver
- 64-pin LQFP, 0.18 um process, support Lead-Free and Halogen-Free

## Application



Fiber Converter



Fiber IP CAM



8Port Fiber Switch



Fiber IP-STB

## Ordering Information

Part Number	Pin Count	Package
DM9302EP	64	LQFP (Pb-Free)

## DAVICOM Semiconductor, Inc.

No.6, Li-Hsin Rd.VI, Science Park, Hsin-Chu, Taiwan, R.O.C.

TEL: 886-3-5798797

FAX: 886-3-5646929

E-mail: [sales@davicom.com.tw](mailto:sales@davicom.com.tw)