

**Features**

- Comparatively low cost
- 3-State output
- 3V and 5V Input compatible
- Clocking speeds up to 10 MHz
- 20 ns Switching/delay time
- 4A Peak drive
- Isolated drains
- Low output impedance— $2.5\Omega$
- Low quiescent current—5 mA
- Wide operating voltage—4.5V–16V
- Isolated P-channel device
- Separate ground and  $V_L$  pins

**Applications**

- Loaded circuit board testers
- Digital testers
- Level shifting below GND
- IGBT drivers
- CCD drivers

**Ordering Information**

Part No.	Temp. Range	Pkg.	Outline #
EL7154CN	-40°C to +85°C	8-Pin P-DIP	MDP0031
EL7154CS	-40°C to +85°C	8-Pin SOIC	MDP0027

**Nominal Operating Voltage Range**

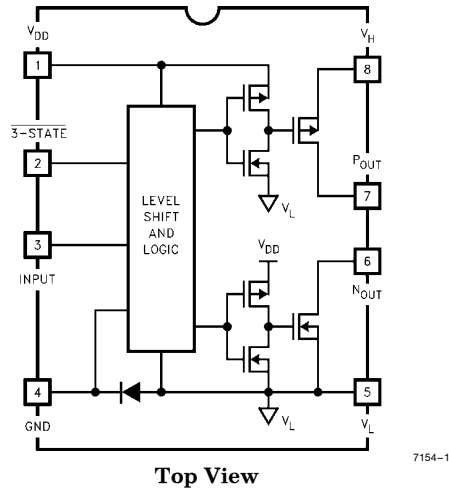
Pin	Min	Max
$V_L$	-3	0
$V_{DD}-V_L$	5	15
$V_H-V_L$	2	15
$V_{DD}-V_H$	-0.5	15
$V_{DD}$	5	15

**General Description**

The EL7154C 3-state pin driver is particularly well suited for ATE and level shifting applications. The 4A peak drive capability, makes the EL7154C an excellent choice when driving high speed capacitive lines.

The p-channel MOSFET is completely isolated from the power supply, providing a high degree of flexibility. Pin (7) can be grounded, and the output can be taken from pin (8) when a "source follower" output is desired. Then n-channel MOSFET has an isolated drain, but shares a common bus with pre-drivers and level shifter circuits. This is necessary to ensure that the n-channel device can turn off effectively when  $V_L$  goes below GND. In some power-FET and IGBT applications, negative drive is desirable to insure effective turn-off. The EL7154 can be used in these applications by returning  $V_L$  to a moderate negative potential.

**Connection Diagram**



**Truth Table**

3-State	Input	POUT	NOUT
0	0	Open	Open
0	1	Open	Open
1	0	HIGH	Open
1	1	Open	LOW

Manufactured under U.S. Patent Nos. 5,334,883, #5,341,047, #5,352,578, #5,352,389, #5,351,012, #5,374,898

Note: All information contained in this data sheet has been carefully checked and is believed to be accurate as of the date of publication; however, this data sheet cannot be a "controlled document". Current revisions, if any, to these specifications are maintained at the factory and are available upon your request. We recommend checking the revision level before finalization of your design documentation.

# EL7154C

## High Speed, Monolithic Pin Driver

### Absolute Maximum Ratings

Supply ( $V_{DD}$ to $V_L$ ; $V_H-V_L$ , $V_H$ to GND), V+ to $V_H$	16.5V	Ambient Operating Temperature	-40°C to +85°C
$V_L$ to GND	-5V	Operating Junction Temperature	125°C
Input Pins	-0.3V below $V_L$ to +0.3V above $V_{DD}$	Power Dissipation	570 mW
Peak Output Current	4A	SOIC	1050 mW
Storage Temperature Range	-65°C to +150°C	PDIP	

#### Important Note:

All parameters having Min/Max specifications are guaranteed. The Test Level column indicates the specific device testing actually performed during production and Quality inspection. Elantec performs most electrical tests using modern high-speed automatic test equipment, specifically the LTX77 Series system. Unless otherwise noted, all tests are pulsed tests, therefore  $T_J = T_C = T_A$ .

Test Level	Test Procedure
I	100% production tested and QA sample tested per QA test plan QCX0002.
II	100% production tested at $T_A = 25^\circ\text{C}$ and QA sample tested at $T_A = 25^\circ\text{C}$ , $T_{MAX}$ and $T_{MIN}$ per QA test plan QCX0002.
III	QA sample tested per QA test plan QCX0002.
IV	Parameter is guaranteed (but not tested) by Design and Characterization Data.
V	Parameter is typical value at $T_A = 25^\circ\text{C}$ for information purposes only.

### DC Electrical Characteristics

$T_A = 25^\circ\text{C}$ ,  $V_{DD} = +12\text{V}$ ,  $V_H = +12\text{V}$ ,  $V_L = -3\text{V}$ , unless otherwise specified

Parameter	Description	Test Conditions	Min	Typ	Max	Test Level	Units
<b>Input</b>							
$V_{IH}$	Logic "1" Input Voltage		2.4			I	V
$I_{IH}$	Logic "1" Input Current	$V_{IH} = V_{DD}$		0.1	10	I	$\mu\text{A}$
$V_{IL}$	Logic "0" Input Voltage				0.6	I	V
$I_{IL}$	Logic "0" Input Current	$V_{IL} = 0\text{V}$		0.1	10	I	$\mu\text{A}$
$V_{HVS}$	Input Hysteresis			0.3		V	V
<b>Output</b>							
$R_{OH}$	Pull-Up Resistance	$I_{OUT} = -100\text{ mA}$		1.5	4	I	$\Omega$
$R_{OL}$	Pull-Down Resistance	$I_{OUT} = +100\text{ mA}$		2	4	I	$\Omega$
$I_{OUT}$	Output Leakage Current	$V_{DD}/\text{GND}$		0.2	10	I	$\mu\text{A}$
$I_{PK}$	Peak Output Current	Source Sink		4.0 4.0		V	A
$I_{DC}$	Continuous Output Current	Source/Sink	200			I	mA
<b>Power Supply</b>							
$I_S$	Power Supply Current	Inputs = $V_{DD}$		1	2.5	I	mA
$V_S$	Operating Voltage		4.5		16	I	V
$I_G$	Current to GND (Pin 4)			1	10	I	$\mu\text{A}$
$I_H$	Off Leakage at $V_H$	Pin 8 = 0V		1	10	I	$\mu\text{A}$

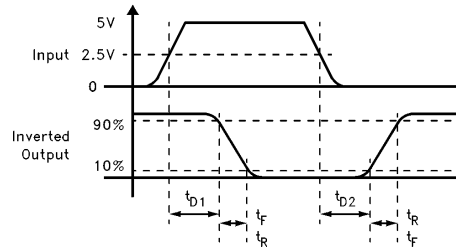
# EL7154C

## High Speed, Monolithic Pin Driver

### AC Electrical Characteristics $T_A = 25^\circ\text{C}$ unless otherwise specified

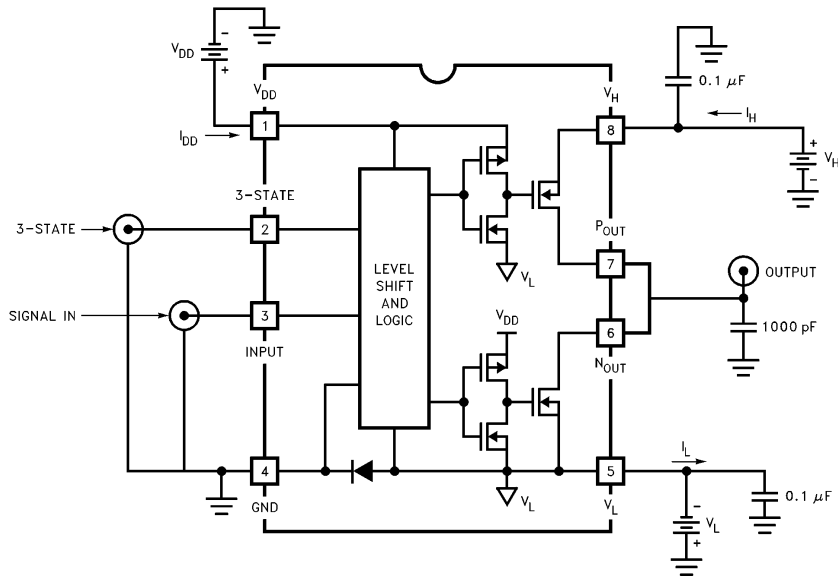
Parameter	Description	Test Conditions	Min	Typ	Max	Test Level	Units
<b>Switching Characteristics (<math>V_{DD} = V_H = 12\text{V}</math>; <math>V_L = -3\text{V}</math>)</b>							
$t_R$	Rise Time	$C_L = 100\text{ pF}$ $C_L = 2000\text{ pF}$		4 20	25	IV	ns
$t_F$	Fall Time	$C_L = 100\text{ pF}$ $C_L = 2000\text{ pF}$		4 20	25	IV	ns
$t_{D-1}$	Turn-Off Delay Time	$C_L = 2000\text{ pF}$		20	25	IV	ns
$t_{D-2}$	Turn-On Delay Time	$C_L = 2000\text{ pF}$		10	25	IV	ns
$t_{D-1}$	3-State Delay				25	IV	ns
$t_{D-2}$	3-State Delay				25	IV	ns

Timing Table



7154-2

Standard Test Configuration

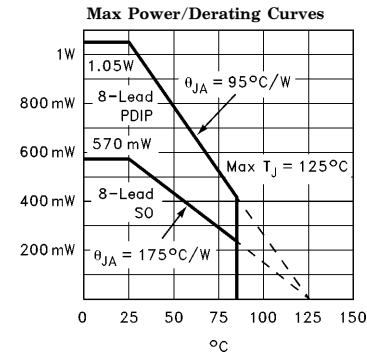


7154-3

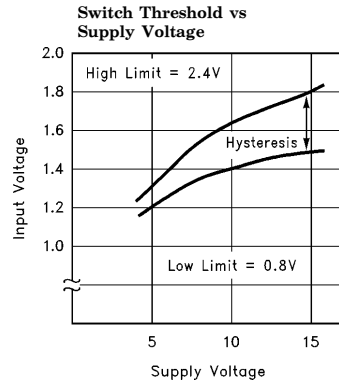
# EL7154C

## High Speed, Monolithic Pin Driver

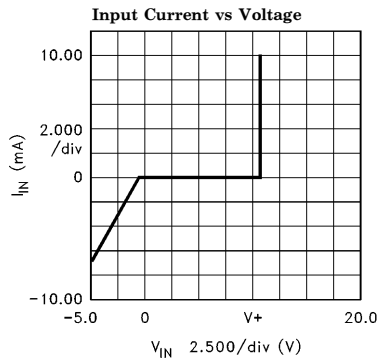
### Typical Performance Curves



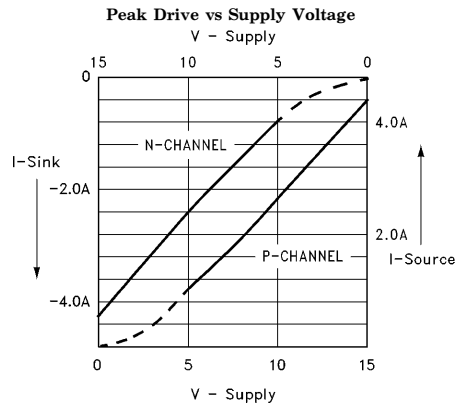
7154-9



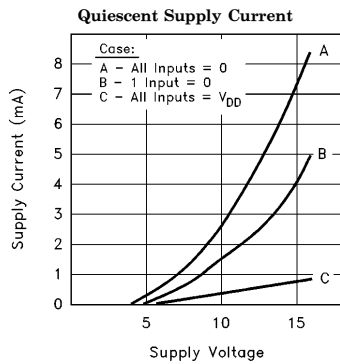
7154-10



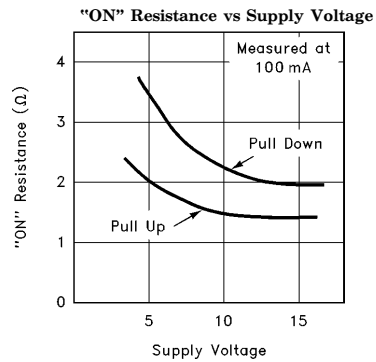
7154-11



7154-12



7154-13

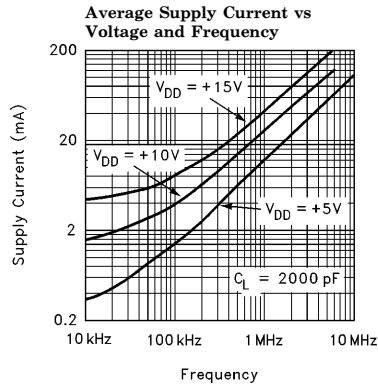


7154-14

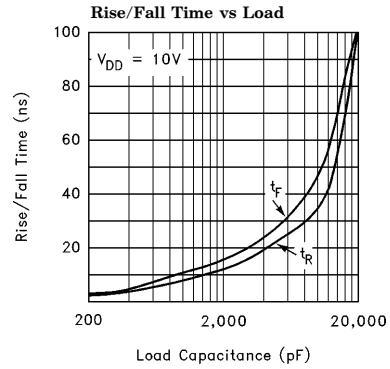
# EL7154C

## High Speed, Monolithic Pin Driver

### Typical Performance Curves — Contd.

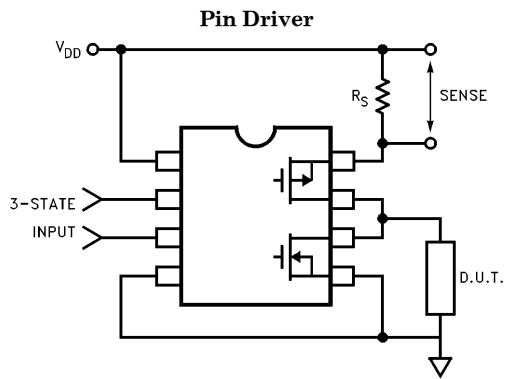


7154-15

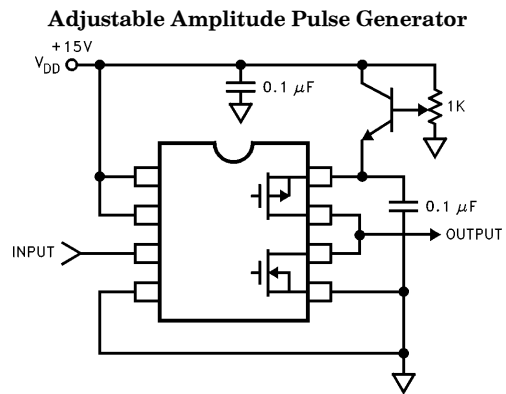


7154-16

### Typical Applications



7154-4

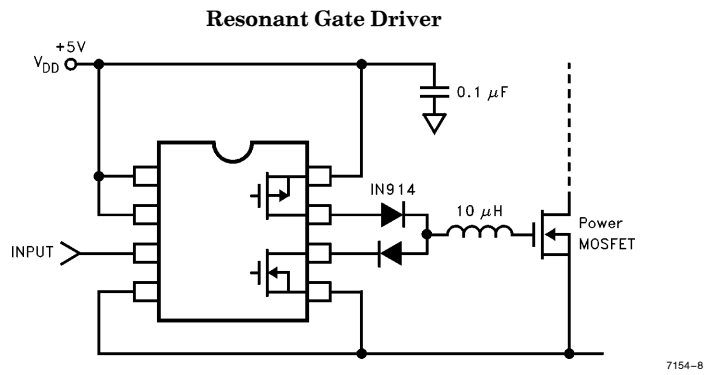
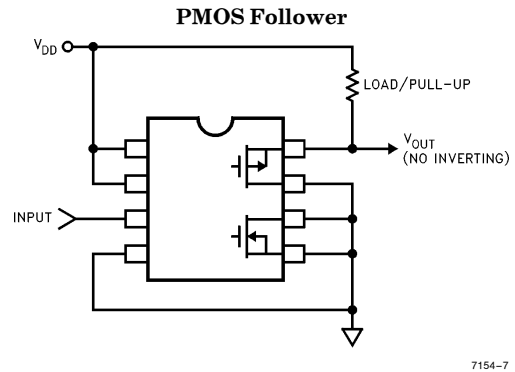
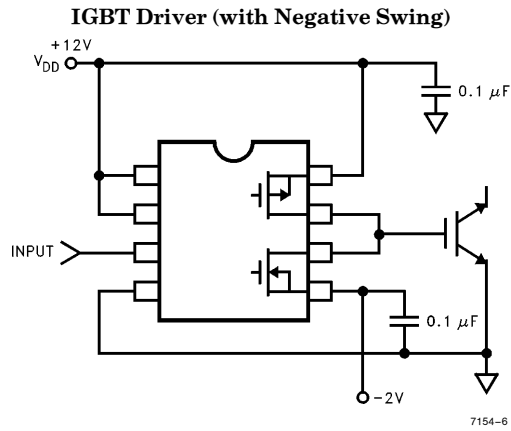


7154-5

# EL7154C

## High Speed, Monolithic Pin Driver

### Typical Applications — Contd.



**BLANK**

# ***EL7154C***

## ***High Speed, Monolithic Pin Driver***

### **General Disclaimer**

Specifications contained in this data sheet are in effect as of the publication date shown. Elantec, Inc. reserves the right to make changes in the circuitry or specifications contained herein at any time without notice. Elantec, Inc. assumes no responsibility for the use of any circuits described herein and makes no representations that they are free from patent infringement.

***élantec***  
HIGH PERFORMANCE ANALOG INTEGRATED CIRCUITS

**Elantec, Inc.**  
1996 Tarob Court  
Milpitas, CA 95035  
Telephone: (408) 945-1323  
(800) 333-6314  
Fax: (408) 945-9305  
European Office: 44-71-482-4596

### **WARNING — Life Support Policy**

Elantec, Inc. products are not authorized for and should not be used within Life Support Systems without the specific written consent of Elantec, Inc. Life Support systems are equipment intended to support or sustain life and whose failure to perform when properly used in accordance with instructions provided can be reasonably expected to result in significant personal injury or death. Users contemplating application of Elantec, Inc. products in Life Support Systems are requested to contact Elantec, Inc. factory headquarters to establish suitable terms & conditions for these applications. Elantec, Inc.'s warranty is limited to replacement of defective components and does not cover injury to persons or property or other consequential damages.