



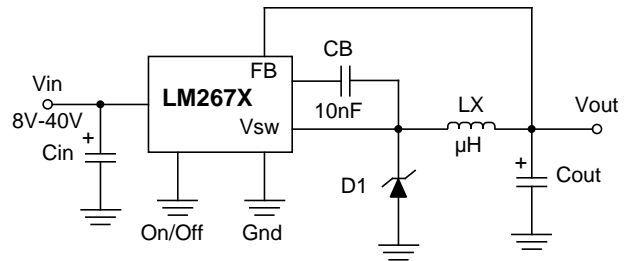
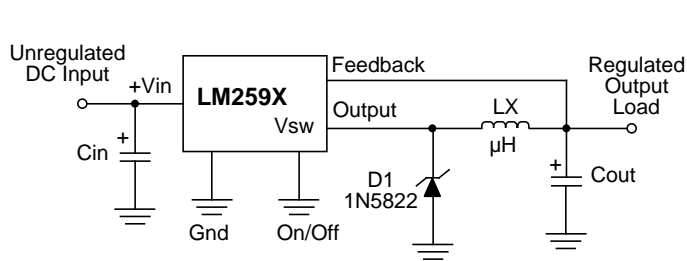
- Optimized for National's LM267X & LM259X Series
- Low loss material ensures operation in high frequency switching converters, such as Buck, Boost or as output averaging filter inductor
- Also suitable for use in high quality filter applications
- 150 KHz & 260 KHz Switching Frequency
- Low Cost Inductor

Primary Specification

Part Number	National Semiconductor Chip	Induct. ($\mu\text{H} \pm 15\%$) @ 0 Adc	DCR (Typ.)	Induct. ($\mu\text{H} 10\%$) @ Idc	Idc (mA)	Core Loss		Vt1 (V- μSec) 150 KHz	Vt2 (V- μSec) 260 KHz	Temp.Rise	
						@ Vt1 (mW)	@ Vt2 (mW)			@ Vt1 °C (Typ.)	@ Vt2 °C (Typ.)
EPI100502AC2	LM267X-L47	12.8	0.012	10	5000	---	275	---	15.4	---	36
EPI150502AC2	LM267X-L46	20	0.019	15	5000	---	275	---	19.3	---	45
EPI220302AC2	LM259X-L41	27	0.046	22	3000	105	---	20.0	---	33	---
EPI470302AC2		64.8	0.055	47	3000	330 @ 52 KHz		90 @ 52 KHz		49 @ 52 KHz	

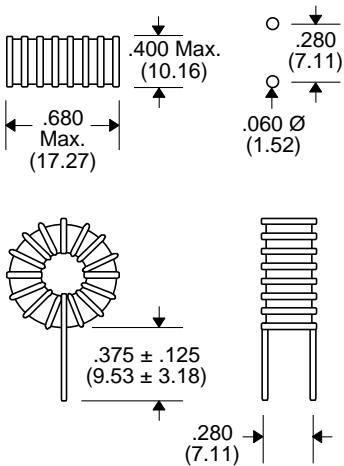
For no header version : add "V" for Vertical Mount and add "H" for Horizontal Mount

Applications



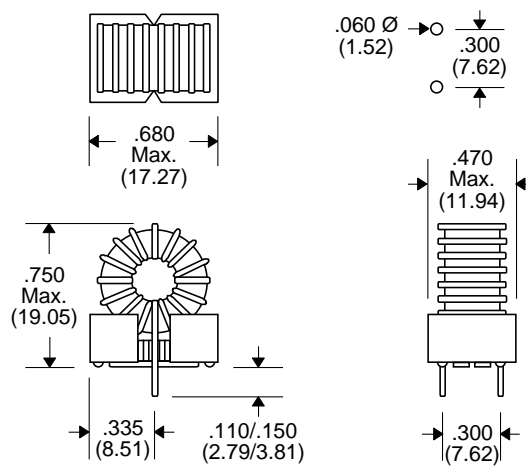
Package AC2V

Pad Layout

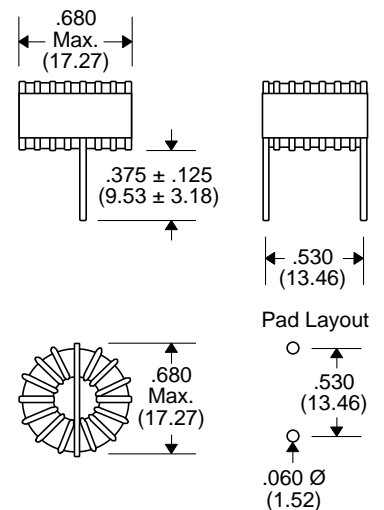


Package AC2

Pad Layout



Package AC2H



Unless Otherwise Specified Dimensions are in Inches /mm $\pm .010 / .25$