

M51955A,B/M51956A,B

Voltage Detecting, System Resetting IC Series

REJ03D0777-0300
Rev.3.00
Sep 18, 2007

Description

M51955A,B/M51956A,B are semiconductor integrated circuits for resetting of all types of logic circuits such as CPUs, and has the feature of setting the detection voltage by adding external resistance.

They include a built-in delay circuit to provide a retardation time (200 μ s Typ).

They find extensive applications, including battery checking circuit, level detecting circuit and waveform shaping circuit.

Features

- Few external parts
- Low threshold operating voltage (Supply voltage to keep low-state at low supply voltage): 0.6 V (Typ) at $R_L = 22 \text{ k}\Omega$
- Wide supply voltage range: 2 V to 17 V
- Wide application range

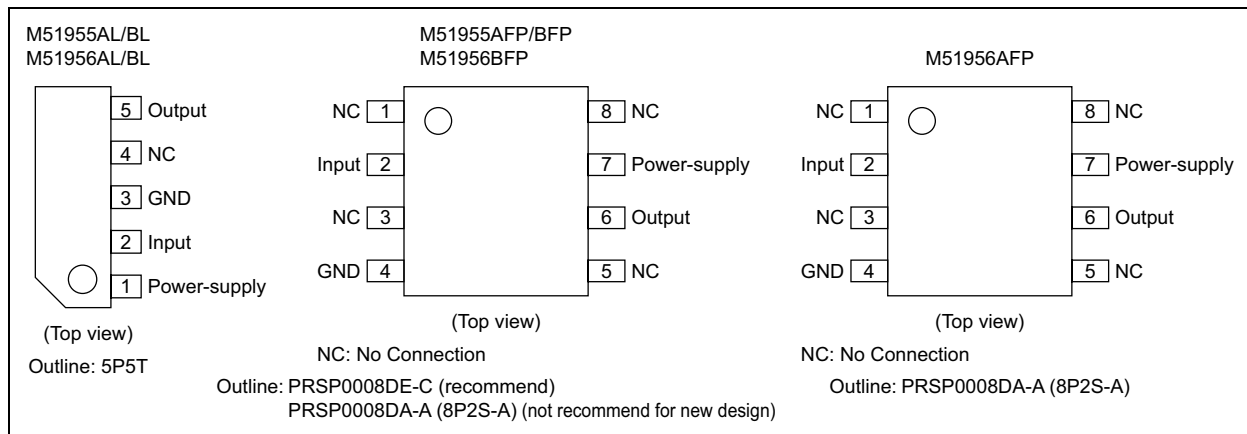
Application

- Reset circuit of Pch, Nch, CMOS, microcomputer, CPU and MCU, Reset of logic circuit, Battery check circuit, switching circuit back-up voltage, level detecting circuit, waveform shaping circuit, delay waveform generating circuit, DC/DC converter, over voltage protection circuit

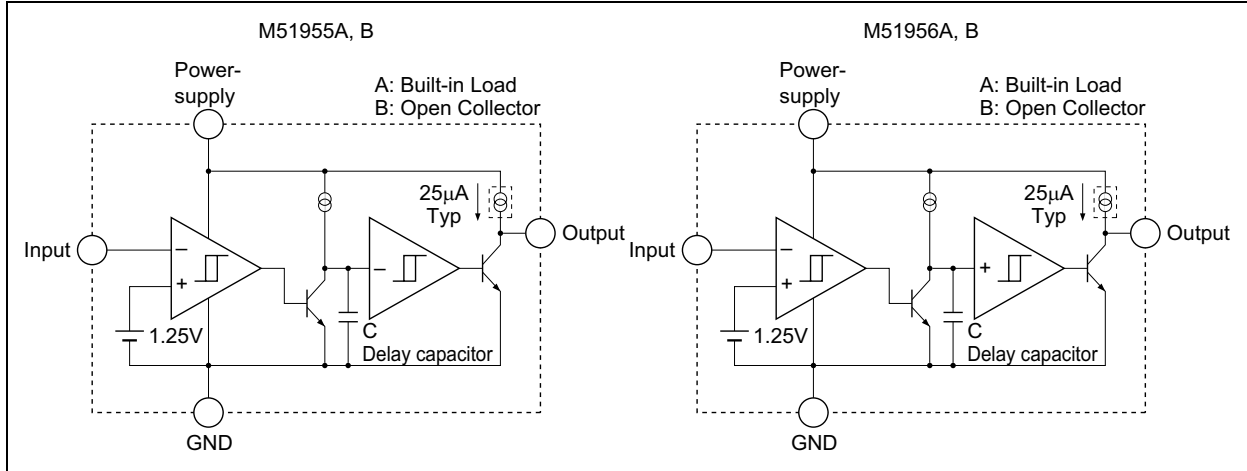
Recommended Operating Condition

- Supply voltage range: 2 V to 17 V

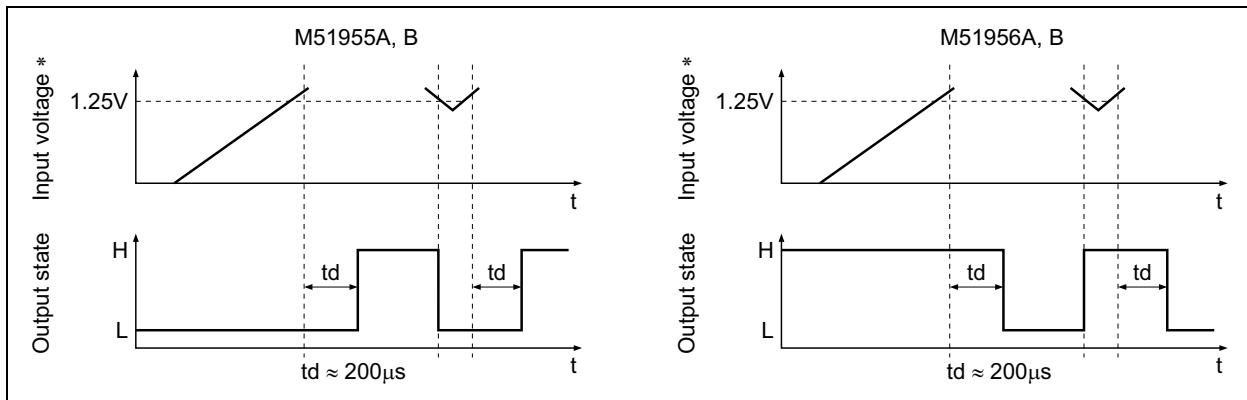
Pin Arrangement



Block Diagram



Operating Waveform



Absolute Maximum Ratings

(Ta = 25°C, unless otherwise noted)

Item	Symbol	Ratings	Unit	Conditions	
Supply voltage	V _{CC}	18	V		
Output sink current	I _{sink}	6	mA		
Output voltage	V _O	V _{CC}	V	Type A (output with constant current load)	
		18		Type B (open collector output)	
Power dissipation	P _d	450	mW	5-pin SIP	
		400		8-pin SOP (PRSP0008DE-C): recommend	
		300		8-pin SOP (PRSP0008DA-A): not recommend	
Thermal derating	K _θ	4.5	mW/°C	Refer to the thermal derating curve.	5-pin SIP
		4.4			8-pin SOP (PRSP0008DE-C): recommend
		3			8-pin SOP (PRSP0008DA-A): not recommend
Operating temperature	T _{opr}	-30 to +85	°C		
Storage temperature	T _{stg}	-40 to +125	°C		
Input voltage range	V _{IN}	-0.3 to V _{CC}	V	V _{CC} ≤ 7 V	
		-0.3 to +7		V _{CC} > 7 V	

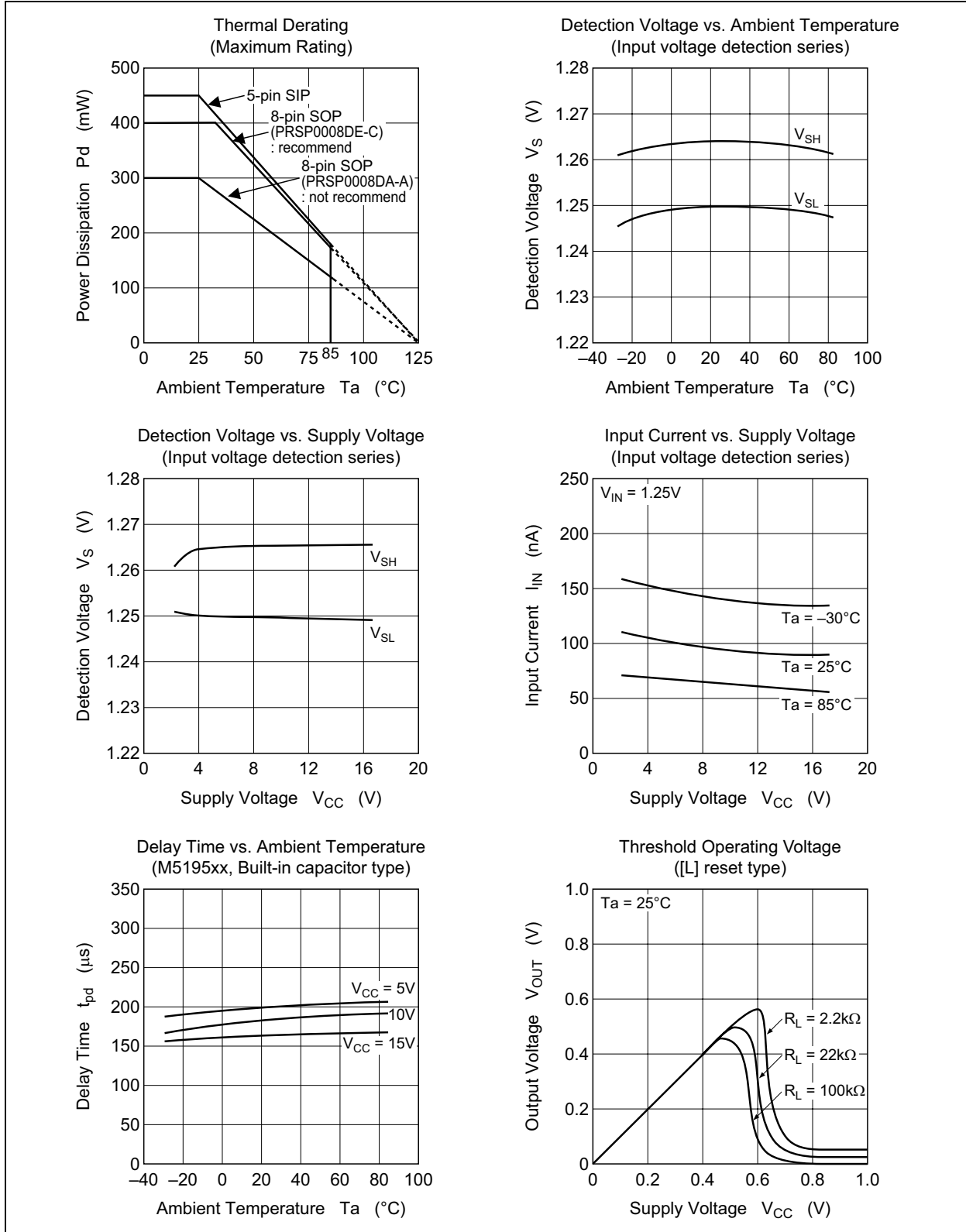
Electrical Characteristics

(Ta = 25°C, unless otherwise noted)

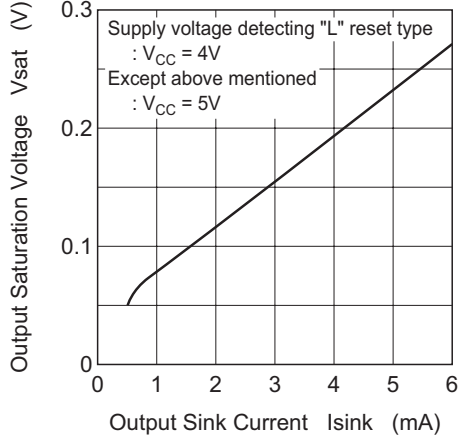
- “L” reset type M51955A, M51955B
- “H” reset type M51956A, M51956B

Item	Symbol	Min	Typ	Max	Unit	Test Conditions	
Detecting voltage	V _s	1.20	1.25	1.30	V		
Hysteresis voltage	ΔV _s	9	15	23	mV	V _{CC} = 5V	
Detecting voltage temperature coefficient	V _s /ΔT	—	0.01	—	%/°C		
Supply voltage range	V _{CC}	2	—	17	V		
Input voltage range	V _{in}	-0.3	—	V _{CC}	V	V _{CC} ≤ 7V	
		-0.3	—	7		V _{CC} > 7V	
Input current	I _{IN}	—	100	500	nA	V _{IN} = 1.25V	
Circuit current	I _{CC}	—	390	590	μA	Type A, V _{CC} = 5V	
		—	360	540		Type B, V _{CC} = 5V	
Delay time	t _{pd}	80	200	500	μs		
Output saturation voltage	V _{sat}	—	0.2	0.4	V	L reset type, V _{CC} = 5V, V _{IN} < 1.2V, I _{sink} = 4mA	
		—	0.2	0.4		H reset type, V _{CC} = 5V, V _{IN} > 1.35V, I _{sink} = 4mA	
Threshold operating voltage	V _{OPL}	—	0.67	0.8	V	L reset type minimum supply voltage for IC operation	R _L = 2.2kΩ, V _{sat} ≤ 0.4V
		—	0.55	0.7			R _L = 100kΩ, V _{sat} ≤ 0.4V
Output leakage current	I _{OH}	—	—	30	nA	Type B	
Output load current	I _{OC}	-40	-25	-17	μA	Type A, V _{CC} = 5V, V _O = 1/2 × V _{CC}	
Output high voltage	V _{OH}	V _{CC} -0.2	V _{CC} -0.06	—	V	Type A	

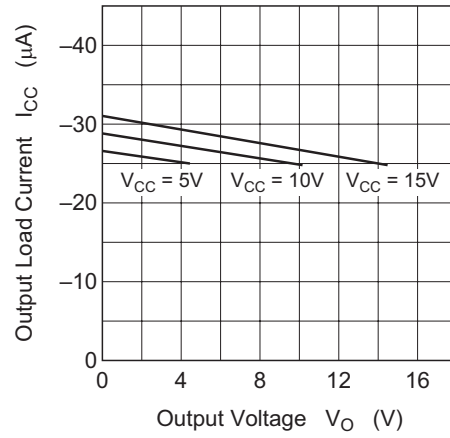
Typical Characteristics



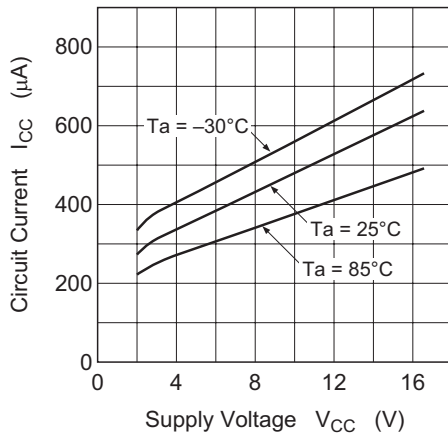
Output Saturation Voltage vs. Output Sink Current



Output Load Current vs. Output Voltage (M5195xA)



Circuit Current vs. Supply Voltage (M51955B, M51956B)



Example of Application Circuit

Reset Circuit of M5195xx Series

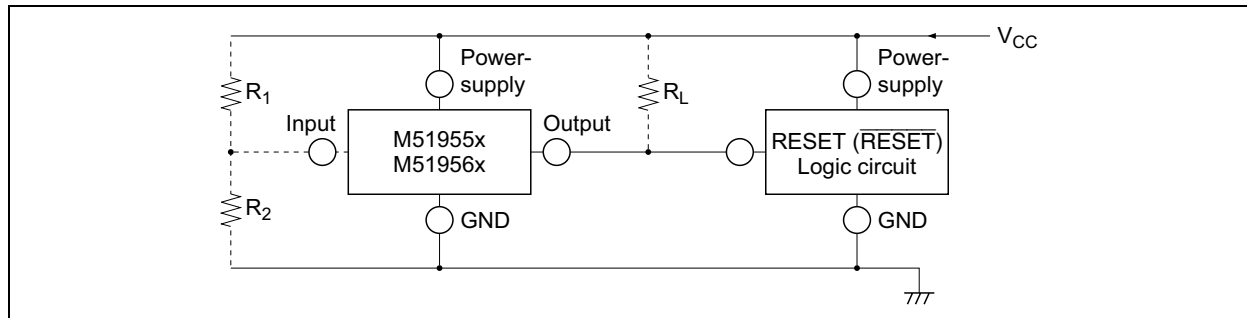


Figure 1 Reset Circuit of M5195xx Series

- Notes:
1. When the detecting supply voltage is 4.25 V, M51951, M51952, M51953 and M51954 are used. In this case, R_1 and R_2 are not necessary.
When the voltage is anything except 4.25 V, M51955, M51956, M51957 and M51958 are used. In this case, the detecting supply voltage is $1.25 \times (R_1 + R_2)/R_2$ (V) approximately. The detecting supply voltage can be set between 2 V and 15 V.
 2. When the delay time is short, M51951, M51952, M51955 and M51956 are available. These ICs have a delay capacity and the delay time is about 200 μ s.
If a longer delay time is necessary, M51953, M51954, M51957 and M51958 are used. In this case, the delay time is about $0.34 \times C_d$ (pF) μ s.
 3. If the M5195xx and the logic circuit share a common power source, type A (built-in load type) can be used whether a pull-up resistor is included in the logic circuit or not.
 4. The logic circuit preferably should not have a pull-down resistor, but if one is present, add load resistor R_L to overcome the pull-down resistor.
 5. When the reset terminal in the logic circuit is of the low reset type, M51951, M51953, M51955 and M51957 are used and when the terminal is of the high reset type, M51952, M51954, M51956 and M51958 are used.
 6. When a negative supply voltage is used, the supply voltage side of M5195xx and the GND side are connected to negative supply voltage respectively.

Notice for use

About the Power Supply Line

1. About bypass capacitor

Because the ripple and the spike of the high frequency noise and the low frequency are superimposed to the power supply line, it is necessary to remove these.

Therefore, please install C_1 and C_2 for the low frequency and for the high frequency between the power supply line and the GND line as shown in following figure 2.

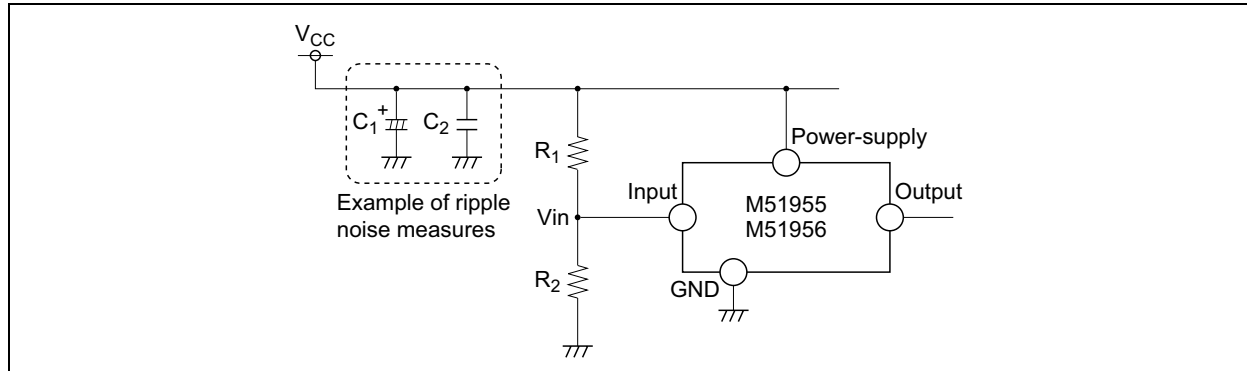


Figure 2 Example of Ripple Noise Measures

2. The sequence of voltage impression

Please do not impress the voltages to the input terminals earlier than the power supply terminal. Moreover, please do not open the power supply terminal with the voltage impressed to the input terminal.

(The setting of the bias of an internal circuit collapses, and a parasitic element might operate.)

About the Input Terminal

1. Setting range of input voltage

The following voltage is recommended to be input to the input terminal (pin 2).

about $0.8 \text{ (V)} < V_{in} < V_{CC} - 0.3 \text{ (V)}$ at $V_{CC} \leq 7 \text{ V}$

about $0.8 \text{ (V)} < V_{in} < 6.7 \text{ (V)}$ at $V_{CC} > 7 \text{ V}$

2. About using input terminal

Please do an enough verification to the transition characteristic etc. of the power supply when using independent power supply to input terminal (pin 2).

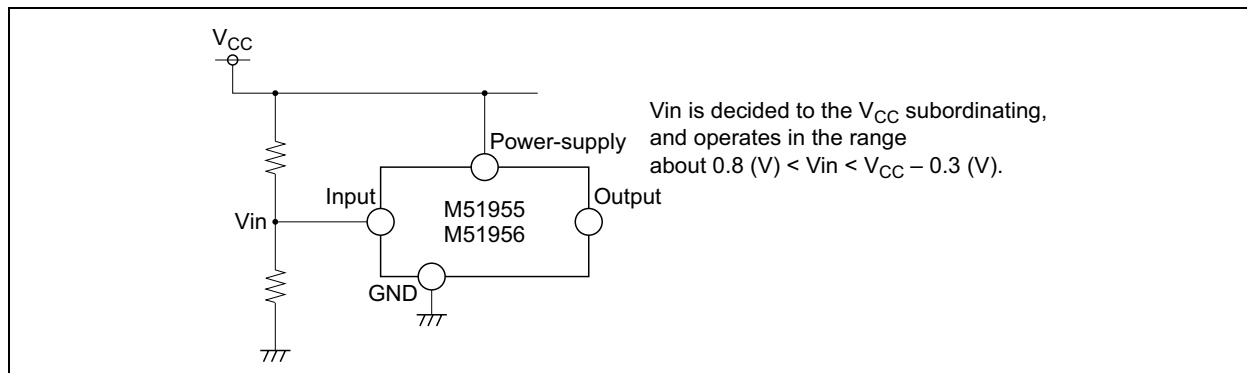


Figure 3 Recommended Example

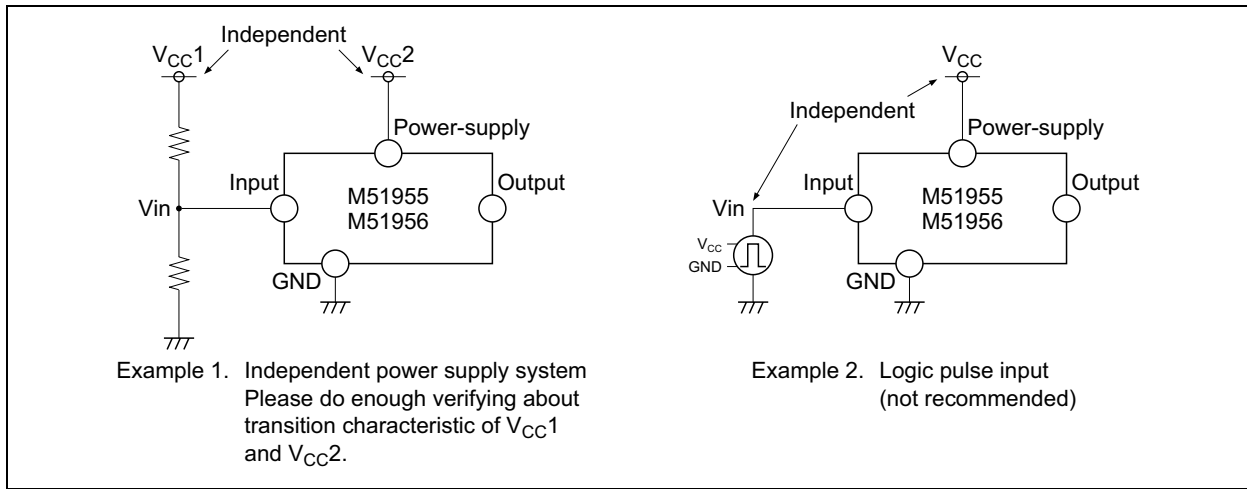


Figure 4

3. Calculation of detecting voltage

Detecting voltage V_S can be calculated by the following expression.

However, the error margin is caused in the detecting voltage because input current I_{in} (standard 100 nA) exists if it sets too big resistance.

Please set the constant to disregard this error margin.

$$V_S = 1.25 \times \left(\frac{R_1 + R_2}{R_2} \right) + \frac{I_{in} \times R_1}{\text{error margin}}$$

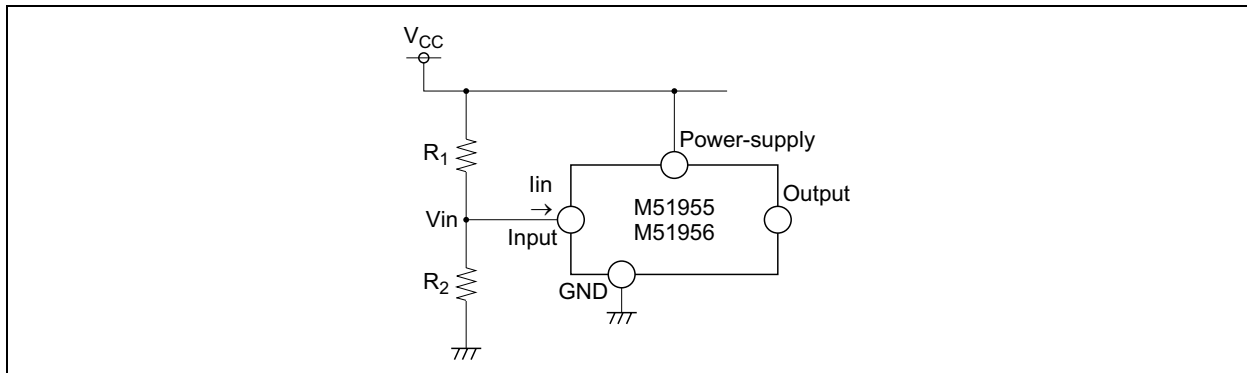


Figure 5 Influence of Input Current

4. About the voltage input outside ratings

Please do not input the voltage outside ratings to the input terminal.

An internal protection diode becomes order bias, and a large current flows.

Setting of Output Load Resistance (M51955B/M51956B)

High level output voltage can be set without depending on the power-supply voltage because the output terminal is an open collector type. However, please guard the following notes.

1. Please set it in value (2 V to 17 V) within the range of the power-supply voltage recommendation.
Moreover, please never impress the voltage of maximum ratings 18 V or more even momentarily either.
2. Please set output load resistance (pull-up resistance) R_L so that the output current (output inflow current I_L) at L level may become 4 mA or less. Moreover, please never exceed absolute maximum rating (6 mA).

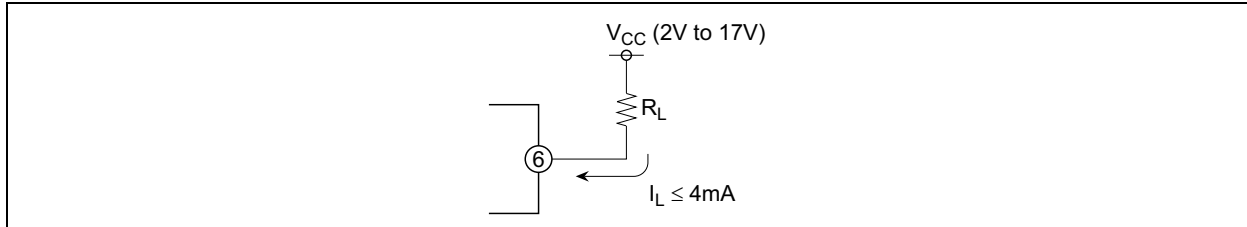


Figure 6 Output Load Resistance R_L

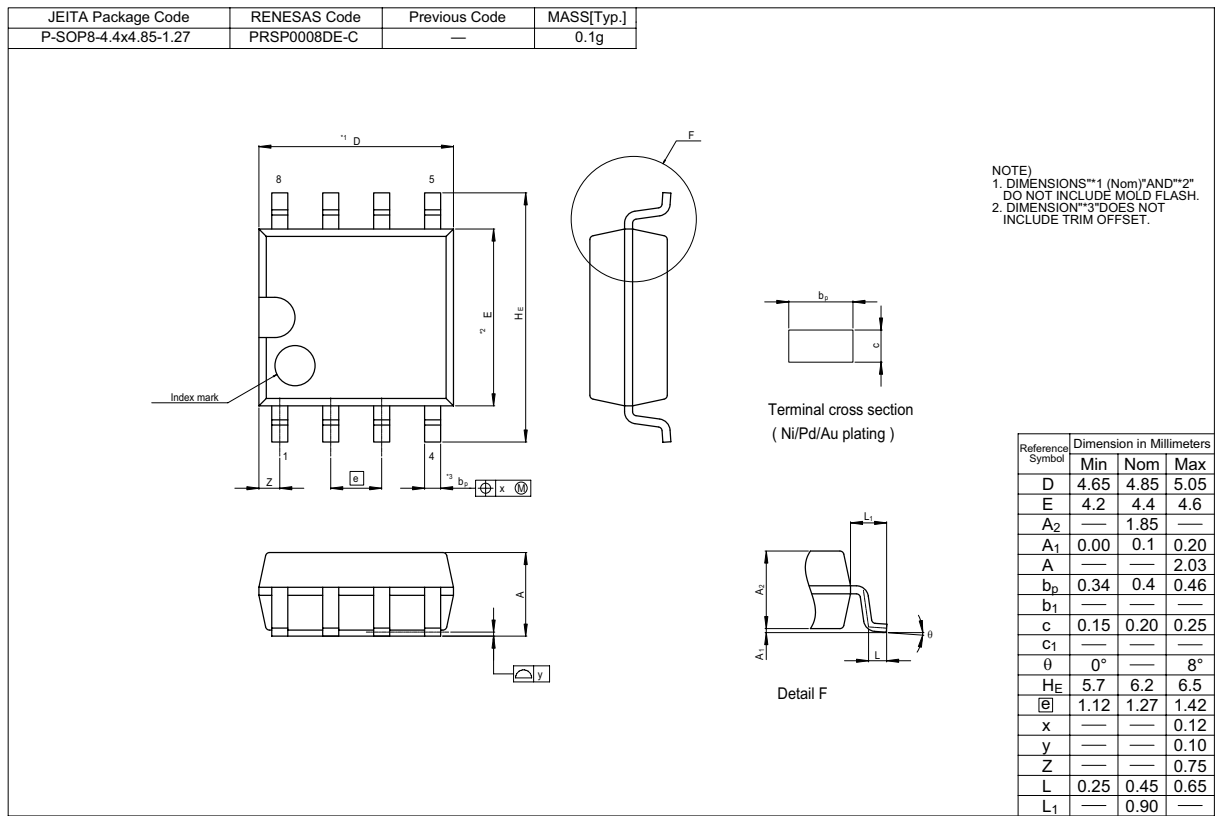
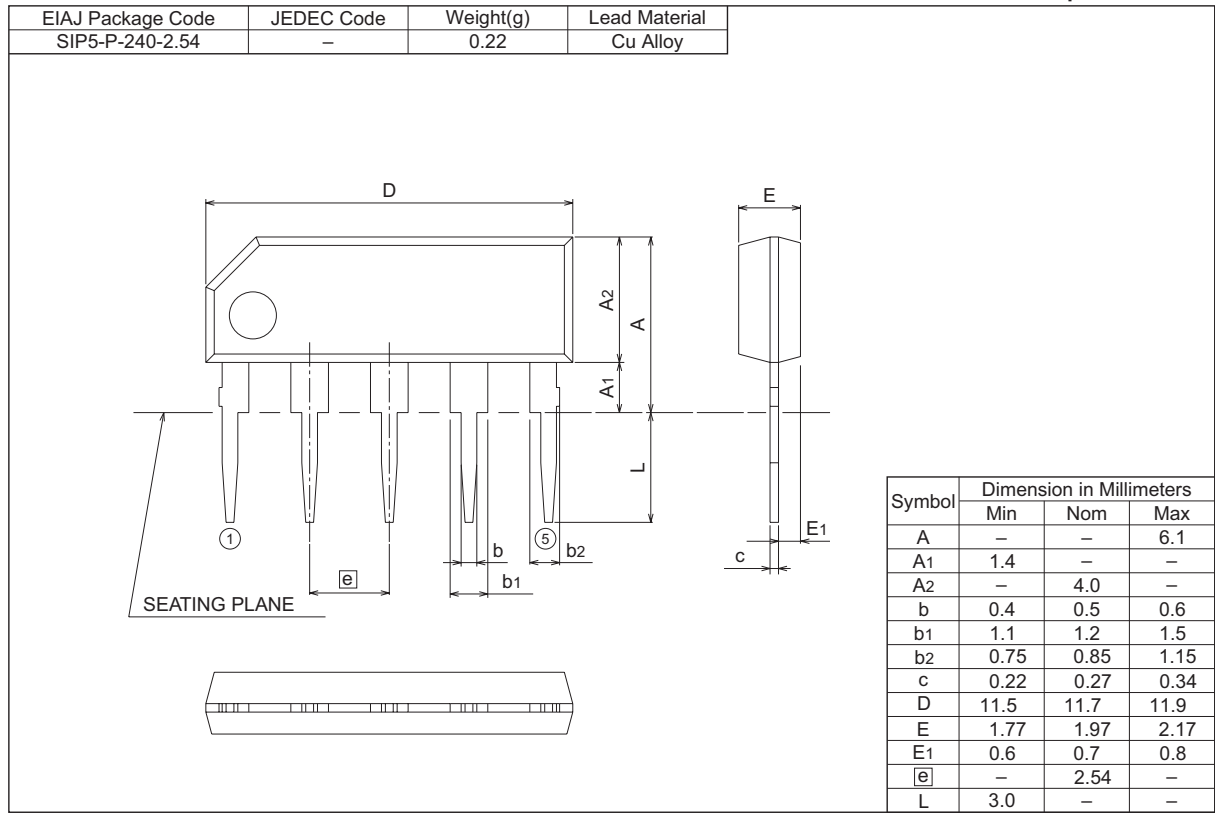
Others

1. Notes when IC is handled are published in our reliability handbook, and please refer it.
The reliability handbook can be downloaded from our homepage (following URL).
http://www.renesas.com/fmwk.jsp?cnt=reliability_root.jsp&fp=/products/common_info/reliability
2. Additionally, please inquire of our company when there is an uncertain point on use.

Package Dimensions

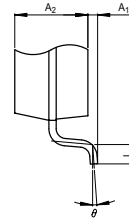
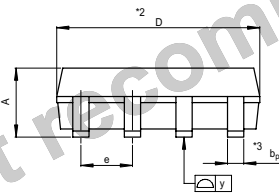
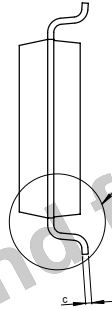
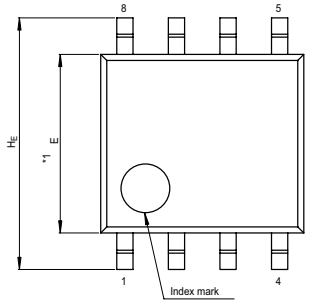
5P5T

Plastic 5pin 240mil SIP



M51955A,B/M51956A,B

JEITA Package Code	RENESAS Code	Previous Code	MASS[Typ.]
P-SOP8-4.4x5-1.27	PRSP0008DA-A	8P2S-A	0.07g



NOTE)
 1. DIMENSIONS **1* AND **2* DO NOT INCLUDE MOLD FLASH.
 2. DIMENSION **3* DOES NOT INCLUDE TRIM OFFSET.

Reference Symbol	Dimension in Millimeters		
	Min	Nom	Max
D	4.8	5.0	5.2
E	4.2	4.4	4.6
A ₂	—	1.5	—
A ₁	0.05	—	—
A	—	—	1.9
b _p	0.35	0.4	0.5
c	0.13	0.15	0.2
θ	0°	—	10°
H _E	5.9	6.2	6.5
e	1.12	1.27	1.42
y	—	—	0.1
L	0.2	0.4	0.6

Notes:

1. This document is provided for reference purposes only so that Renesas customers may select the appropriate Renesas products for their use. Renesas neither makes warranties or representations with respect to the accuracy or completeness of the information contained in this document nor grants any license to any intellectual property rights or any other rights of Renesas or any third party with respect to the information in this document.
2. Renesas shall have no liability for damages or infringement of any intellectual property or other rights arising out of the use of any information in this document, including, but not limited to, product data, diagrams, charts, programs, algorithms, and application circuit examples.
3. You should not use the products or the technology described in this document for the purpose of military applications such as the development of weapons of mass destruction or for the purpose of any other military use. When exporting the products or technology described herein, you should follow the applicable export control laws and regulations, and procedures required by such laws and regulations.
4. All information included in this document such as product data, diagrams, charts, programs, algorithms, and application circuit examples, is current as of the date this document is issued. Such information, however, is subject to change without any prior notice. Before purchasing or using any Renesas products listed in this document, please confirm the latest product information with a Renesas sales office. Also, please pay regular and careful attention to additional and different information to be disclosed by Renesas such as that disclosed through our website. (<http://www.renesas.com>)
5. Renesas has used reasonable care in compiling the information included in this document, but Renesas assumes no liability whatsoever for any damages incurred as a result of errors or omissions in the information included in this document.
6. When using or otherwise relying on the information in this document, you should evaluate the information in light of the total system before deciding about the applicability of such information to the intended application. Renesas makes no representations, warranties or guarantees regarding the suitability of its products for any particular application and specifically disclaims any liability arising out of the application and use of the information in this document or Renesas products.
7. With the exception of products specified by Renesas as suitable for automobile applications, Renesas products are not designed, manufactured or tested for applications or otherwise in systems the failure or malfunction of which may cause a direct threat to human life or create a risk of human injury or which require especially high quality and reliability such as safety systems, or equipment or systems for transportation and traffic, healthcare, combustion control, aerospace and aeronautics, nuclear power, or undersea communication transmission. If you are considering the use of our products for such purposes, please contact a Renesas sales office beforehand. Renesas shall have no liability for damages arising out of the uses set forth above.
8. Notwithstanding the preceding paragraph, you should not use Renesas products for the purposes listed below:
 - (1) artificial life support devices or systems
 - (2) surgical implantations
 - (3) healthcare intervention (e.g., excision, administration of medication, etc.)
 - (4) any other purposes that pose a direct threat to human lifeRenesas shall have no liability for damages arising out of the uses set forth in the above and purchasers who elect to use Renesas products in any of the foregoing applications shall indemnify and hold harmless Renesas Technology Corp., its affiliated companies and their officers, directors, and employees against any and all damages arising out of such applications.
9. You should use the products described herein within the range specified by Renesas, especially with respect to the maximum rating, operating supply voltage range, movement power voltage range, heat radiation characteristics, installation and other product characteristics. Renesas shall have no liability for malfunctions or damages arising out of the use of Renesas products beyond such specified ranges.
10. Although Renesas endeavors to improve the quality and reliability of its products, IC products have specific characteristics such as the occurrence of failure at a certain rate and malfunctions under certain use conditions. Please be sure to implement safety measures to guard against the possibility of physical injury, and injury or damage caused by fire in the event of the failure of a Renesas product, such as safety design for hardware and software including but not limited to redundancy, fire control and malfunction prevention, appropriate treatment for aging degradation or any other applicable measures. Among others, since the evaluation of microcomputer software alone is very difficult, please evaluate the safety of the final products or system manufactured by you.
11. In case Renesas products listed in this document are detached from the products to which the Renesas products are attached or affixed, the risk of accident such as swallowing by infants and small children is very high. You should implement safety measures so that Renesas products may not be easily detached from your products. Renesas shall have no liability for damages arising out of such detachment.
12. This document may not be reproduced or duplicated, in any form, in whole or in part, without prior written approval from Renesas.
13. Please contact a Renesas sales office if you have any questions regarding the information contained in this document, Renesas semiconductor products, or if you have any other inquiries.



RENESAS SALES OFFICES

<http://www.renesas.com>

Refer to "<http://www.renesas.com/en/network>" for the latest and detailed information.

Renesas Technology America, Inc.
450 Holger Way, San Jose, CA 95134-1368, U.S.A
Tel: <1> (408) 382-7500, Fax: <1> (408) 382-7501

Renesas Technology Europe Limited
Dukes Meadow, Millboard Road, Bourne End, Buckinghamshire, SL8 5FH, U.K.
Tel: <44> (1628) 585-100, Fax: <44> (1628) 585-900

Renesas Technology (Shanghai) Co., Ltd.
Unit 204, 205, AZIA Center, No.1233 Lujiazui Ring Rd, Pudong District, Shanghai, China 200120
Tel: <86> (21) 5877-1818, Fax: <86> (21) 6887-7898

Renesas Technology Hong Kong Ltd.
7th Floor, North Tower, World Finance Centre, Harbour City, 1 Canton Road, Tsimshatsui, Kowloon, Hong Kong
Tel: <852> 2265-6688, Fax: <852> 2730-6071

Renesas Technology Taiwan Co., Ltd.
10th Floor, No.99, Fushing North Road, Taipei, Taiwan
Tel: <886> (2) 2715-2888, Fax: <886> (2) 2713-2999

Renesas Technology Singapore Pte. Ltd.
1 Harbour Front Avenue, #06-10, Keppel Bay Tower, Singapore 098632
Tel: <65> 6213-0200, Fax: <65> 6278-8001

Renesas Technology Korea Co., Ltd.
Kukje Center Bldg. 18th Fl., 191, 2-ka, Hangang-ro, Yongsan-ku, Seoul 140-702, Korea
Tel: <82> (2) 796-3115, Fax: <82> (2) 796-2145

Renesas Technology Malaysia Sdn. Bhd
Unit 906, Block B, Menara Amcorp, Amcorp Trade Centre, No.18, Jalan Persiaran Barat, 46050 Petaling Jaya, Selangor Darul Ehsan, Malaysia
Tel: <603> 7955-9390, Fax: <603> 7955-9510