

FEATURES

- Power Conversion Loss of 6.5dB**
- RF Frequency 1500MHz to 2500MHz**
- IF Frequency DC to 450 MHz**
- SSB Noise Figure with 10dBm Blocker of 18dB**
- Input IP3 of 31dBm**
- Input P_{1dB} of 25 dBm**
- Typical LO Drive of 0 dBm**
- Single-ended, 50Ω RF and LO Input Ports**
- High Isolation SPDT LO Input Switch**
- Single Supply Operation: 3.3 to 5 V**
- Exposed Paddle 5 x 5 mm, 20 Lead LFCSP Package**
- 2000V HBM / 500V FICDM ESD Performance**

APPLICATIONS

- Cellular Base Station Receivers**
- Transmit Observation Receivers**
- Radio Link Downconverters**

GENERAL DESCRIPTION

The ADL5365 utilizes a highly linear doubly balanced passive mixer core along with integrated RF and LO balancing circuitry to allow for single-ended operation. The ADL5365 incorporates an RF balun allowing for optimal performance over a 1700 to 2200 MHz RF input frequency range using low-side LO injection. (Pin compatible parts for high side injection are also available). The balanced passive mixer arrangement provides LO to RF leakage better than -25dBm, and excellent intermodulation performance. The balanced mixer core also provides extremely high input linearity allowing the device to be used in demanding cellular applications where in-band blocking signals may otherwise result in the degradation of dynamic performance. For low voltage applications, the ADL5365 is capable of operation at voltages down to 3V with substantially reduced current.

The ADL5365 provides two switched LO paths that can be utilized in applications where it is desirable to rapidly alternate between two local oscillators. Two digital logic inputs allowed the user to control an internal resistor string D/A converter to optimize the intermodulation or noise performance of the

REV. PrB

Information furnished by Analog Devices is believed to be accurate and reliable. However, no responsibility is assumed by Analog Devices for its use, nor for any infringements of patents or other rights of third parties that may result from its use. Specifications subject to change without notice. No license is granted by implication or otherwise under any patent or patent rights of Analog Devices. Trademarks and registered trademarks are the property of their respective companies.

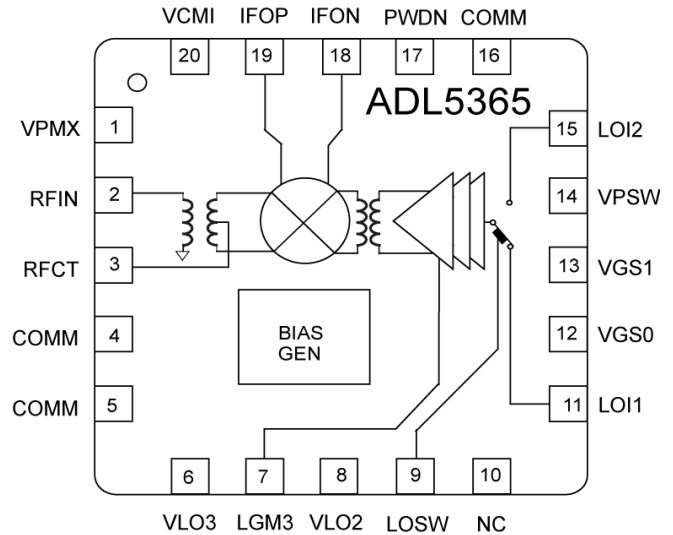


Figure 1. Functional Block Diagram

application. LO current can be externally set using a resistor to minimize DC current commensurate with the desired level of performance. An additional 3V logic pin is provided to power down (<100uA) the circuit when desired.

The ADL5365 is fabricated using a BiCMOS high performance IC process. The device will be available in a 5mm x 5mm 20-lead LFCSP package and operates over a -40°C to +85°C temperature range. An evaluation board is also available.

RF Frequency	Single Mixer	Single Mixer + IF Amp	Dual Mixer + IF Amp
500MHz to 1500MHz	ADL5367	ADL5357	ADL5358
1500MHz to 2500MHz	ADL5365	ADL5355	ADL5356

ADL5365—Specifications

Table 1. $V_S = 5\text{ V}$, $T_A = 25^\circ\text{C}$, $f_{RF} = 1900\text{ MHz}$, $f_{LO} = 1697\text{ MHz}$, LO power = 0 dBm, $Z_o = 50\Omega$, unless otherwise noted

Parameter	Conditions	Min	Typ	Max	Unit
RF INPUT INTERFACE					
Return Loss	Tunable to >20dB over a limited bandwidth		16		dB
Input Impedance			50		Ω
RF Frequency Range		1500		2500	MHz
OUTPUT INTERFACE					
Output Impedance	Differential impedance, $f = 200\text{ MHz}$		50		Ω
IF Frequency Range		DC		450	MHz
LO INTERFACE					
LO Power	Low Side LO	-3	0	+10	dBm
Return Loss			14		dB
Input Impedance			50		Ω
LO Frequency Range		1300		2300	MHz
DYNAMIC PERFORMANCE					
Power Conversion Gain	Including 1:1 IF port transformer and PCB loss		-6.5		dB
Voltage Conversion Gain	$Z_{SOURCE} = 50\Omega$, Differential $Z_{LOAD} = 50\Omega$ Differential		-6.5		dB
SSB Noise Figure			7.1		dB
SSB Noise Figure Under-Blocking	10dBm Blocker present +/-5MHz from wanted RF input, LO source filtered		18		dB
Input Third Order Intercept	$f_{RF1} = 1900\text{ MHz}$, $f_{RF2} = 1901\text{ MHz}$, $f_{LO} = 1697\text{ MHz}$, each RF tone at 0 dBm		31		dBm
Input Second Order Intercept	$f_{RF1} = 1900\text{ MHz}$, $f_{RF2} = 1950\text{ MHz}$, $f_{LO} = 1697\text{ MHz}$, each RF tone at 0 dBm		62		dBm
Input 1 dB Compression Point			25		dBm
LO to IF Output Leakage	Unfiltered IF Output		-22		dBm
LO to RF Input Leakage			-25		dBm
RF to IF Output Isolation			45		dB
IF/2 Spurious	0 dBm Input Power		-65		dBc
IF/3 Spurious	0 dBm Input Power		-70		dBc
POWER INTERFACE					
Supply Voltage		3	5	5.5	V
Quiescent Current	Resistor Programmable		120		mA

ABSOLUTE MAXIMUM RATINGS

Table 2.

Parameter	Rating
Supply Voltage, V_{POS}	5.5 V
PWDN, LOSW, VGS0, VGS1	TBD
RF Input Power RFIN	TBD
Internal Power Dissipation	TBD
θ_{JA} (Exposed Paddle Soldered Down)	TBD
θ_{JC} (At Exposed Paddle)	TBD
Maximum Junction Temperature	TBD
Operating Temperature Range	-40°C to +85°C
Storage Temperature Range	-65°C to +150°C

Stresses above those listed under Absolute Maximum Ratings may cause permanent damage to the device. This is a stress rating only; functional operation of the device at these or any other conditions above those indicated in the operational section of this specification is not implied. Exposure to absolute maximum rating conditions for extended periods may affect device reliability.

ESD CAUTION



ESD (electrostatic discharge) sensitive device. Charged devices and circuit boards can discharge without detection. Although this product features patented or proprietary protection circuitry, damage may occur on devices subjected to high energy ESD. Therefore, proper ESD precautions should be taken to avoid performance degradation or loss of functionality.

PIN CONFIGURATION AND FUNCTION DESCRIPTIONS

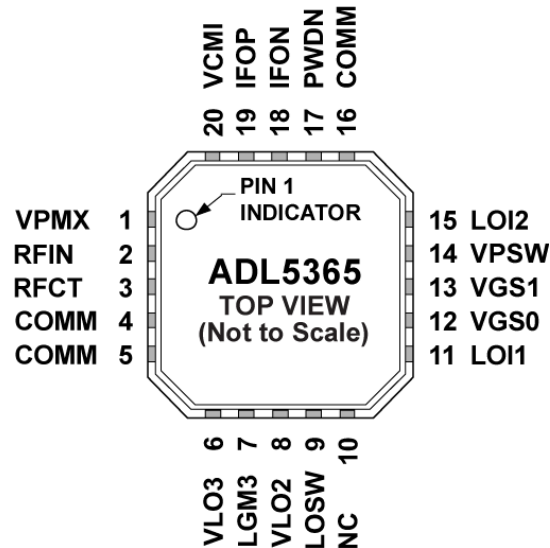


Figure 2. Pin Configuration

Table 3. Pin Function Descriptions

Pin No.	Mnemonic	Function
1	VPMX	Positive Supply Voltage for the mixer: 5.00 V.
2	RFIN	RF Input. Must be ac-coupled.
3	RFCT	RF Balun Center Tap (AC Ground).
4, 5, 16	COMM	Device Common (DC Ground).
6, 8	VLO3, VLO2	Positive Supply Voltage for LO Amplifier.
7	LGM3	LO Amplifier Bias Control.
9	LOSW	LO Switch.
10	NC	No Connect.
11, 15	LOI1, LOI2	LO Input. Must be ac-coupled.
12, 13	VGS0, VGS1	Mixer Gate Bias Control. Ground for nominal operation.
14	VPSW	Positive Supply Voltage for LO Switch.
17	PWDN	Connect to Ground for Normal Operation. Connect pin to 3.3V for disable mode.
18, 19	IFON, IFOP	Differential IF Output.
20	VCM1	No Connect.

TYPICAL PERFORMANCE CHARACTERISTICS

$V_S = 5\text{ V}$, $T_A = 25^\circ\text{C}$, as measured using typical circuit schematic with low-side LO unless otherwise noted.

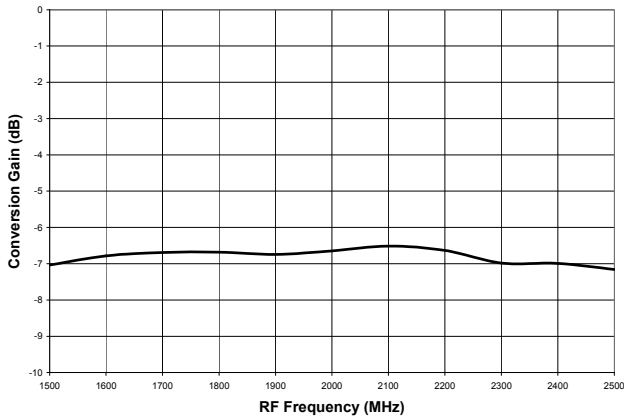


Figure 3. Conversion Gain versus RF Frequency

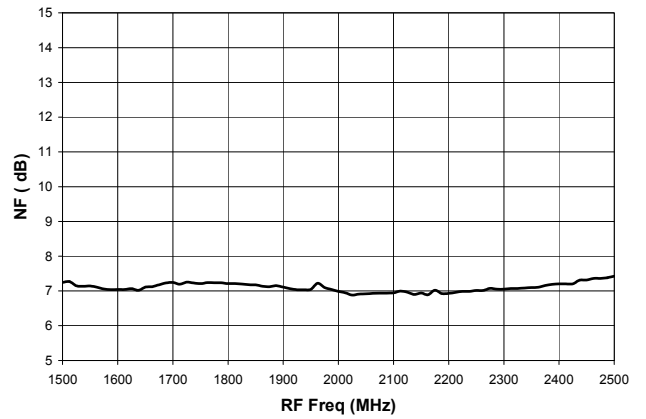


Figure 6. Single-Sideband NF versus RF Frequency

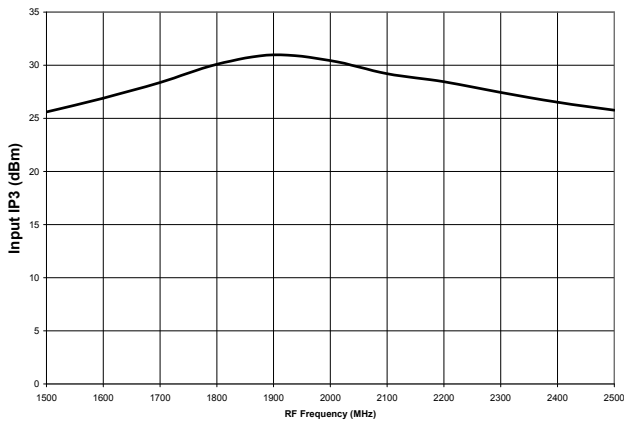


Figure 4. IIP3 versus RF Frequency

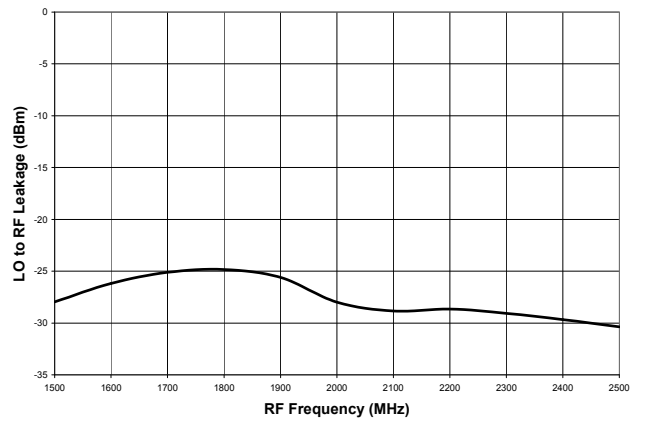


Figure 7. LO to RF Leakage versus LO Frequency

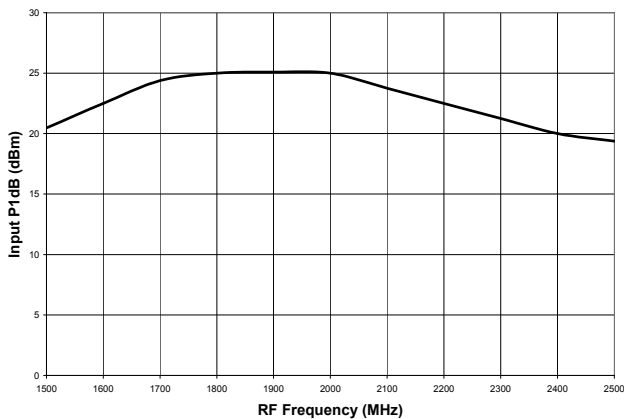


Figure 5. IP1dB versus RF Frequency

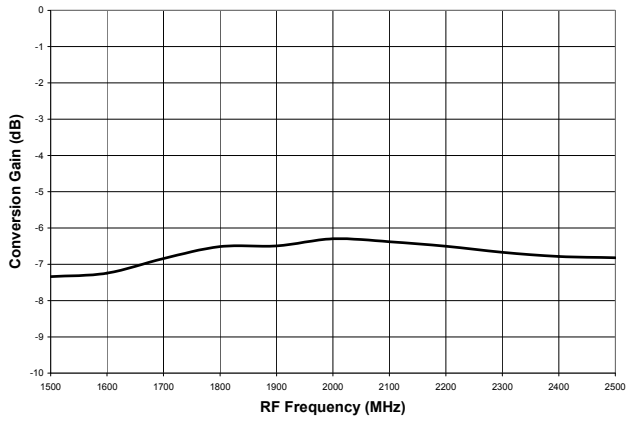


Figure 8. Up Conversion: Conversion Gain vs. RF frequency

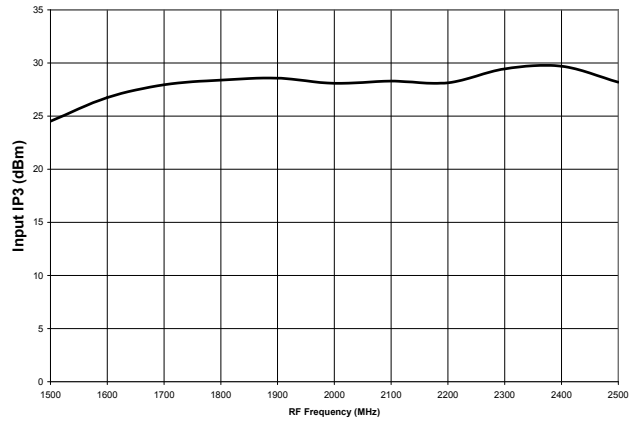


Figure 9. Up Conversion: Input IP3 vs. RF Frequency

EVALUATION BOARD

An evaluation board is available for the family of double balanced mixers, including ADL5365 and ADL5367. The standard evaluation board schematic is presented in Figure 10. The evaluation board is fabricated on a multilayer Rogers board. Table 4 details the various configuration options of the evaluation board.

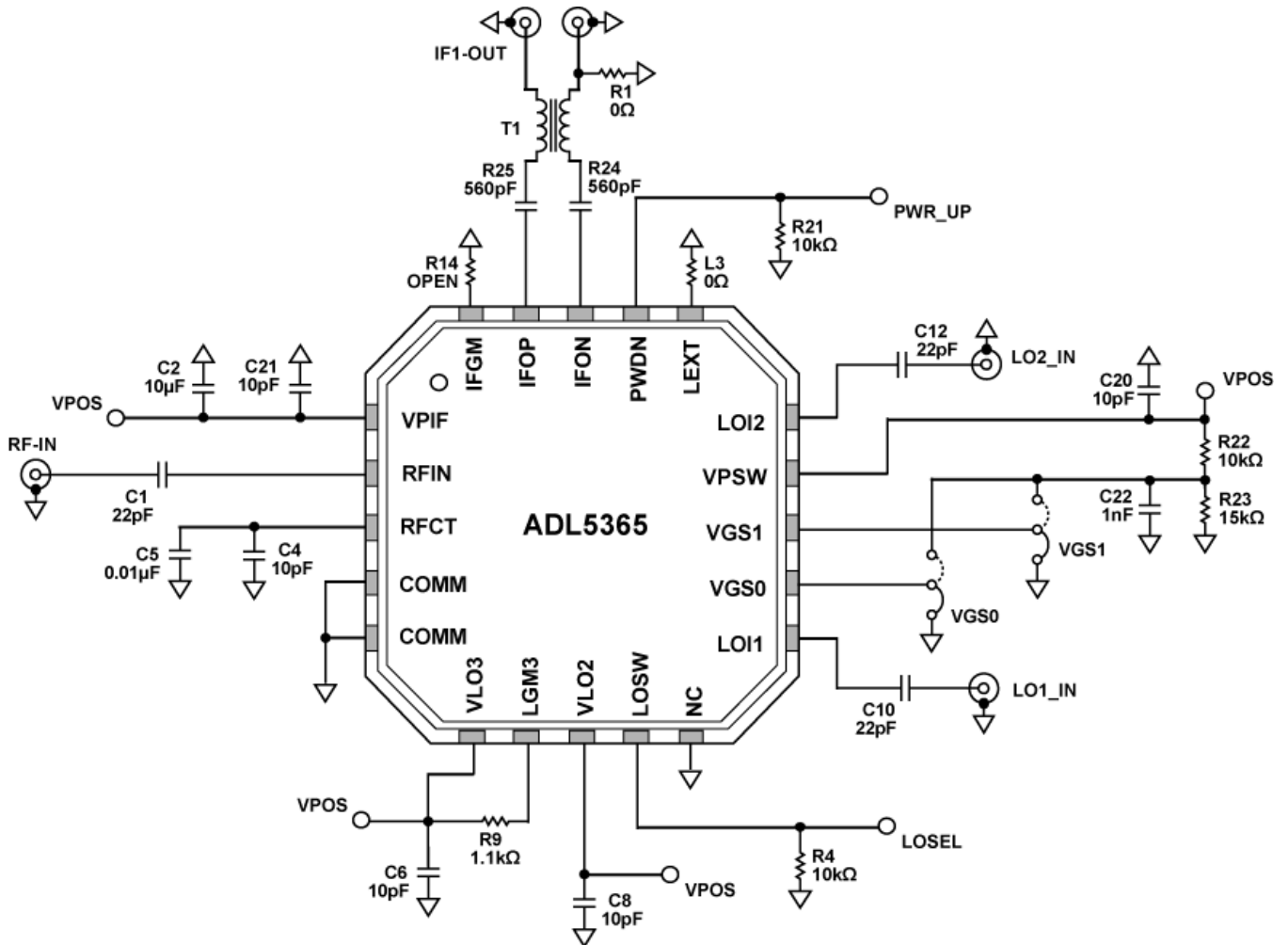


Figure 10. Evaluation Board Schematic.

Table 4. Eval Board Configuration

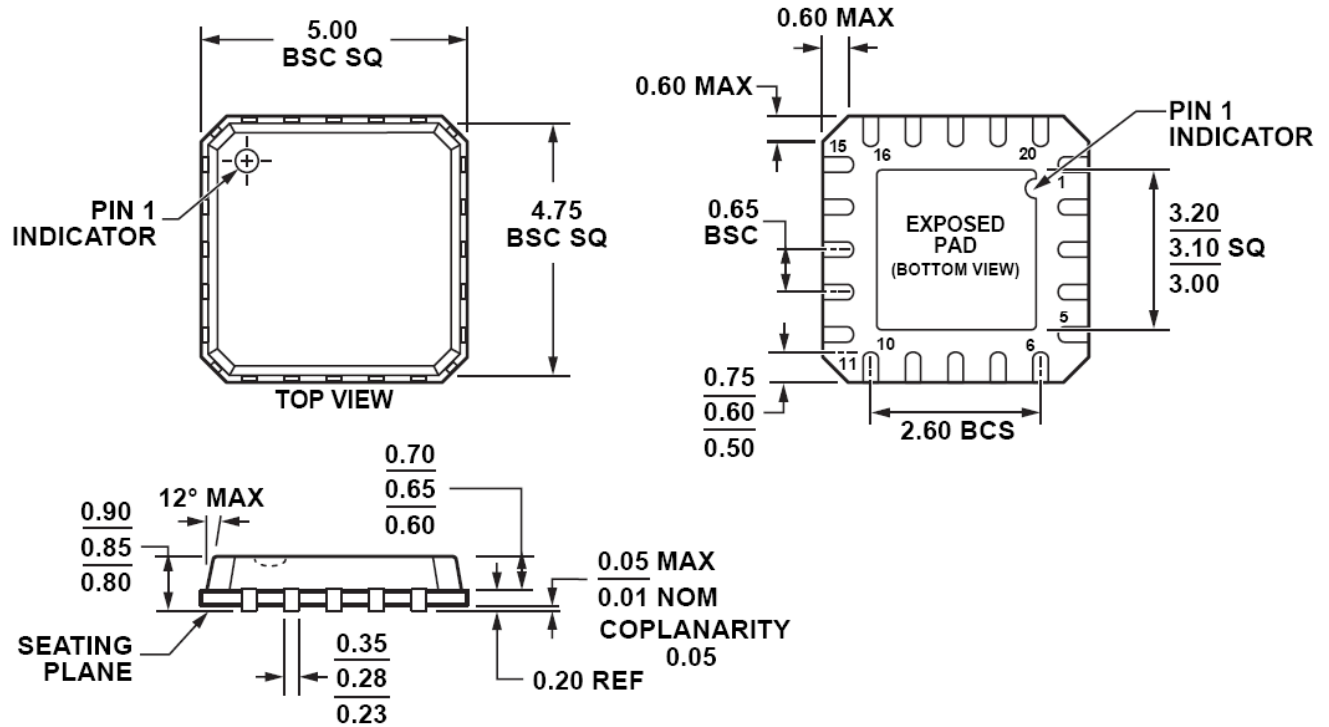
Components	Function	Default Conditions
C2, C6, C8, C20, C21	Power Supply Decoupling. Nominal supply decoupling consists a 10µF capacitor to ground in parallel with 10pF capacitors to ground positioned as close to the device as possible.	C2 = 10 µF (size 0603) C6, C8, C20, C21 = 10 pF (size 0402)
C1, C4, C5	RF Input Interface. The input channels is ac-coupled through C1. C4 and C5 provide bypassing for the center taps of the RF input baluns.	C1 = 22 pF (size 0402) C4 = 10 pF (size 0402) C5 = 0.01 µF (size 0402)
T1, R1, R24, R25	IF Output Interface. T1 is a 1:1 impedance transformer used to provide a single ended IF output interface. R1 should be removed for balanced output operation.	T1 = TC1-1-13M+ (MiniCircuits) R1 = 0 Ω (size 0402) R24, R25 = 560 pF (size 0402)
C10, C12, R4	LO Interface. C10 and C12 provide ac-coupling for the LO1_IN and	C10, C12 = 22pF (size 0402)

	LO2_IN local oscillator inputs. LOSEL selects the appropriate LO input for both mixer cores. R4 provides a pull-down to ensure LO1_IN is enabled when the LOSEL test point has logic low. LO2_IN is enabled when LOSEL is pulled to logic high.	R4 = 10k Ω (size 0402)
R21	PWDN Interface. R21 pulls the PWDN logic low and enables the device. PWR_UP test point allows PWDN interface to be exercised using external logic generator. It is permissible to ground the PWDN pin for nominal operation.	R21 = 10k Ω (size 0402)
C22, L3, R9, R14, R22, R23, VGS0, VGS1	Bias Control. R22 and R23 form a voltage divider to provide a 3V for logic control, bypassed to ground through C22. VGS0 and VGS1 jumpers provide programmability at pin VGS0 and VGS1. It is recommended to pull these two pins to ground for nominal operation. R9 sets the bias point for the internal LO buffers. R14 is essentially no connect.	C22 = 1 nF (size 0402) L3 = 0 Ω (size 0603) R9 = 1.1 k Ω (size 0402) R14 = OPEN R22 = 10k Ω (size 0402) R23 = 15k Ω (size 0402) VGS0 = VGS1 = 3-pin shunt

OUTLINE DIMENSIONS



20-Lead Lead Frame Chip Scale Package [LFCSP_VQ]
 5 x 5 mm Body, Very Thin Quad
 (CP-20-5)
 Dimensions shown in millimeters



COMPLIANT TO JEDEC STANDARDS MO-220-VHHC

Figure 11. 20-Lead Lead Frame Chip Scale Package [LFCSP_VQ]
 5 mm x 5 mm Body, Very Thin Quad (CP-20-5)
 Dimensions shown in millimeters

110807-B

ORDERING GUIDE

Models	Temperature Range	Package Description	Package Option	Branding	Transport Media Quantity
ADL5365XCPZ-R7 ¹	-40°C to +85°C	20-Lead Lead Frame Chip Scale Package [LFCSP_VQ]	CP-20-5	TBD	TBD, Reel
ADL5365-EVALZ		Evaluation Board			1

¹ Z = Pb-free part.