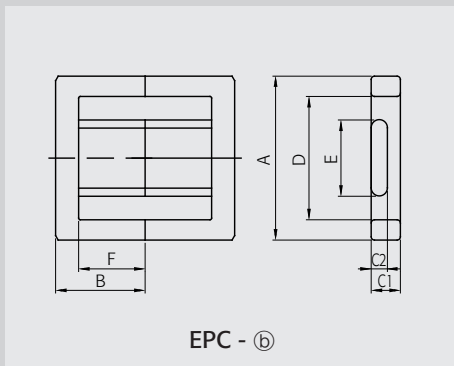
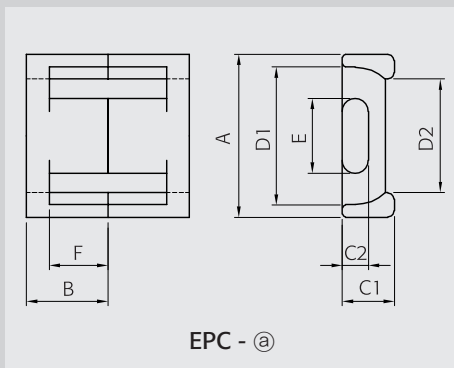
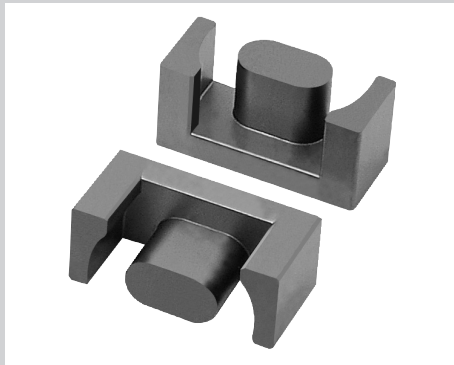


EPC CORES



Part No.		EPC1313S	EPC1715N	EPC1717S	EPC1720SH
Type		EPC - (a)	EPC - (a)	EPC - (a)	EPC - (a)
Dimensions in mm	A	13.30 ±0.30	17.60 ±0.40	17.60 ±0.40	16.85 ±0.35
	B	6.60 ±0.20	7.60 ±0.20	8.55 ±0.20	9.85 ±0.15
	C1	4.60 ±0.15	6.00 ±0.15	6.00 ±0.15	4.00 ±0.20
	C2	2.05 ±0.10	2.80 ±0.10	2.80 ±0.10	2.60 ±0.15
	D1	10.50 min.	14.30 min.	14.30 min.	13.80 ±0.30
	D2	8.30 min.	12.00 ±0.50	12.00 ±0.50	12.40 ±0.30
	E	5.60 ±0.15	7.70 ±0.15	7.70 ±0.15	8.20 ±0.20
F	4.50 ±0.20	5.40 ±0.20	6.05 ±0.20	7.35 ±0.15	

Core Set Parameters	C1(mm ⁻¹)	2.460	1.650	1.760	2.563
	Le(mm)	30.6	37.6	40.2	41.7
	Ae(mm ²)	12.5	22.8	22.8	16.3
	Ve(mm ³)	382	857	917	679
	Ac(mm ²)	8.7	19.9	19.9	13.8
	Aw(mm ²)	23.0	38.0	41.1	41.2
	W(g/set)	2.0	4.3	4.5	3.5

Electrical Characteristics ⁽¹⁾⁽²⁾	AL value	PL-7	870	1300	1200	830
		PL-9	1090	1625	1500	1040
		PL-11	900	1400	1300	900
		PL-13	1160	1730	1600	1110
		PL-15	900	1400	1300	900
	Core loss	PL-7	0.23	0.51	0.55	0.41
		PL-9	0.21	0.47	0.50	0.37
		PL-11	0.21	0.47	0.50	0.37
		PL-13	0.20	0.45	0.49	0.36
		PL-15	0.19	0.43	0.46	0.34

Note : 1) Core loss

- Unit : Watt max.
- Measuring conditions
- PL-7, PL-11, PL-15 : 100 kHz, 200mT, at 100°C
- PL-9, PL-13 : 100 kHz, 200mT, at 80°C

2) AL value

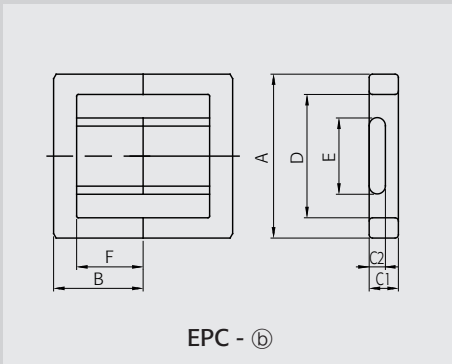
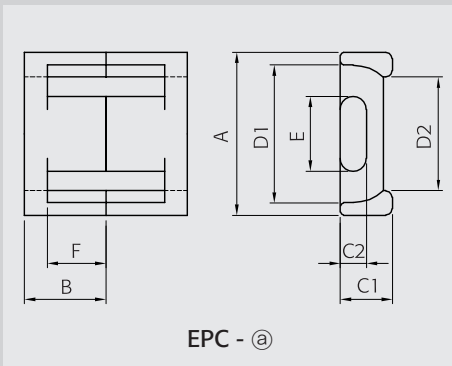
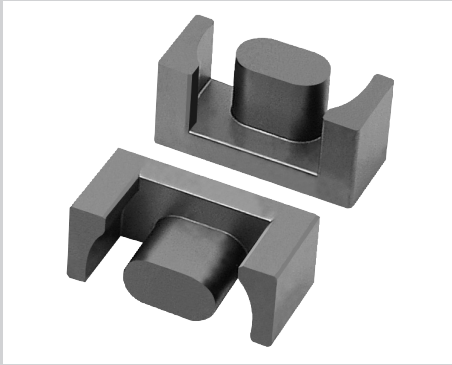
- Unit : nH/N²
- Measuring conditions : 1kHz, 0.1V, 23°C
- Tolerance : ±25%

	EPC1826W	EPC1920N	EPC1920S	EPC2228S	EPC2525S	EPC2732S	EPC3035S	EPC4643S	EPC4649S
	EPC - (a)	EPC - (a)	EPC - (a)	EPC - (a)	EPC - (a)	EPC - (a)	EPC - (a)	EPC - (a)	EPC - (a)
A	18.50 ±0.30	19.60 ±0.50	19.10 ±0.50	21.90 ±0.30	25.10 ±0.50	27.10 ±0.50	30.10 ±0.50	46.00 ±0.70	46.00 ±0.70
B	13.20 ±0.15	9.75 ±0.20	9.75 ±0.20	14.20 ±0.20	12.50 ±0.20	16.00 ±0.20	17.50 ±0.20	21.90 ±0.20	24.70 ±0.20
C1	4.25 ±0.15	6.00 ±0.20	6.00 ±0.15	7.30 ±0.20	8.00 ±0.20	8.00 ±0.20	8.00 ±0.20	19.50 ±0.30	19.50 ±0.30
C2	2.75 ±0.15	2.40 ±0.15	2.50 ±0.10	4.15 ±0.15	4.00 ±0.10	4.00 ±0.10	4.00 ±0.10	12.00 ±0.25	12.00 ±0.25
D1(D)	13.10 min.	16.40 ±0.50	15.80 min.	16.90 ±0.20	20.65 min.	21.60 min.	23.60 min.	36.40 ±0.60	36.40 ±0.60
D2	10.70 min.	13.40 ±0.50	13.60 ±0.50	14.80 min.	17.50 ±0.50	19.00 ±0.50	20.00 ±0.50	29.00 ±0.60	29.00 ±0.60
E	9.10 ±0.15	8.30 ±0.20	8.50 ±0.15	9.50 ±0.15	11.50 ±0.20	13.00 ±0.30	15.00 ±0.30	21.00 ±0.30	21.00 ±0.30
F	10.30 ±0.15	7.25 ±0.20	7.25 ±0.20	11.55 ±0.15	9.00 ±0.30	12.00 ±0.30	13.00 ±0.30	15.50 ±0.25	18.30 ±0.25

C1(mm ⁻¹)	2.630	1.890	2.030	1.380	1.270	1.426	1.320	0.441	0.486
Le(mm)	62.0	43.3	46.1	50.8	59.2	70.1	81.6	100	110.4
Ae(mm ²)	23.6	23.0	22.7	36.7	46.4	49.1	61.0	227	227
Ve(mm ³)	1460	996	1047	1864	2747	3441	5035	22700	25060
Ac(mm ²)	15.8	19.3	20.0	39.0	42.6	48.6	56.6	221	221
AW(mm ²)	44.3	59.5	54.4	83.0	90.3	108.0	117.0	238.7	281.8
W(g/set)	6.8	5.6	5.2	12	13	18	23	122	134

AL value	PL-7	1050	1200	1090	1500	1600	1720	1640	4800	4700
	PL-9	1150	1500	1250	1900	2000	1925	2050	6000	5875
	PL-11	1100	1300	1130	1600	1700	1600	1700	5000	4800
	PL-13	1230	1600	1300	2030	2130	2050	2190	6400	6270
	PL-15	1100	1300	1130	1600	1700	1600	1700	5000	4800
Core loss	PL-7	0.88	0.60	0.63	1.12	1.65	2.28	3.02	13.62	15.04
	PL-9	0.80	0.55	0.58	1.03	1.51	2.09	2.77	12.49	13.78
	PL-11	0.80	0.55	0.58	1.03	1.51	2.09	2.77	12.49	13.78
	PL-13	0.77	0.53	0.55	0.99	1.46	2.02	2.67	12.03	13.28
	PL-15	0.73	0.50	0.52	0.93	1.37	1.90	2.52	11.35	12.53

EPC CORES



Part No.		EPC5050S	EPC5055S
Type		EPC - (a)	EPC - (b)
Dimensions in mm	A	50.50 ±0.70	50.50 ±0.70
	B	25.60 ±0.30	27.60 ±0.30
	C1	9.00 ±0.30	9.00 ±0.30
	C2	5.00 ±0.10	5.00 ±0.10
	D1	38.00 ±0.70	38.00 ±0.70
	D2		
	E	23.50 ±0.40	23.50 ±0.40
F	18.50 ±0.30	20.50 ±0.30	

Core Set Parameters	C1(mm ⁻¹)	0.995	0.995
	Le(mm)	113.7	114.0
	Ae(mm ²)	114.3	114.3
	Ve(mm ³)	12990	13030
	Ac(mm ²)	105	105
	Aw(mm ²)	268.3	297
	W(g/set)	70	78

Electrical Characteristics ⁽¹⁾⁽²⁾	AL value	PL-7	2400	2100
		PL-9	3000	2650
		PL-11	2500	2200
		PL-13	3200	2800
		PL-15	2500	2200
	Core loss	PL-7	7.79	8.50
		PL-9	7.14	7.79
		PL-11	7.14	7.79
		PL-13	6.88	7.51
		PL-15	6.50	7.09

Note : 1) Core loss

- Unit : Watt max.
- Measuring conditions
- PL-7, PL-11, PL-15 : 100 kHz, 200mT, at 100°C
- PL-9, PL-13 : 100 kHz, 200mT, at 80°C

2) AL value

- Unit : nH/N²
- Measuring conditions : 1kHz, 0.1V, 23°C
- Tolerance : ±25%