

Ethernet DC/DC Converter EPC1025P & EPC1025H

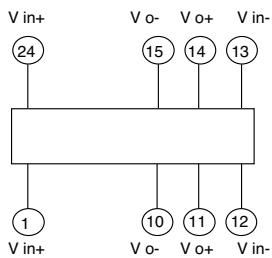
- Features**
- 65 % Typical efficiency at full load @ nominal input voltage
 - Regulated Output
 - Input / Output Isolation
 - Input filter to reduce input ripple current
 - Designed for low common mode noise

Electrical Specifications

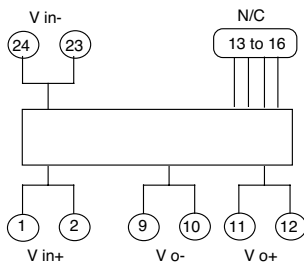
*Note : Package with G = Surface Mount Device, †† : E1,E1-G,E4,E4-G,E11,Q,Q1, N4-G

PCA P/N	STD PKG	Optional Packages	Input Voltage V	Output Voltage V	Output Current mA Max.	Output Ripple & Noise @ 20 MHz BW mV p-p	Isolation Vrms
EPC1025P	E	E-G*, F2,N1,††	12 ± 10%	5 ± 5%	330 Max.	100 Max.	500
EPC1025H	E1	E1-G*,F2,N1,Q1	12 ± 10%	5 ± 5%	330 Max.	100 Max.	2000

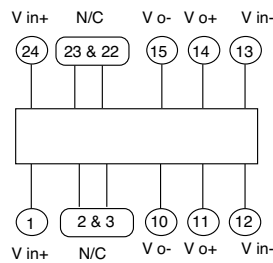
Pin Connections for E**



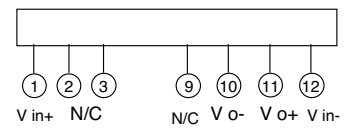
Pin Connections for E1



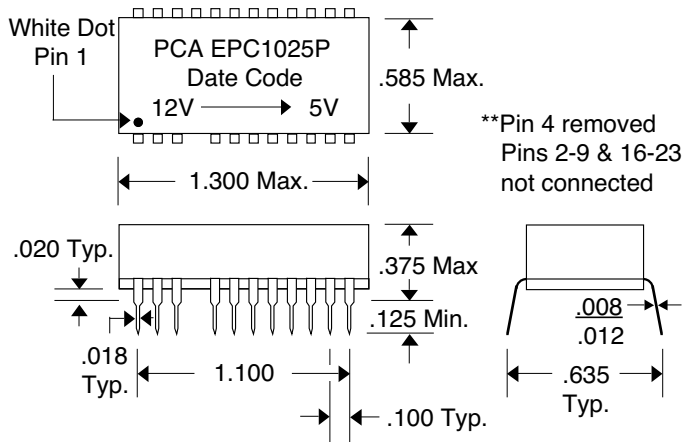
Pin Connections for E4



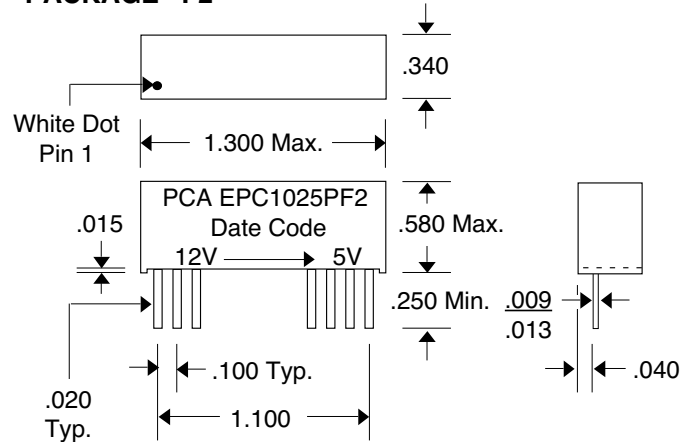
Pin Connections for F2



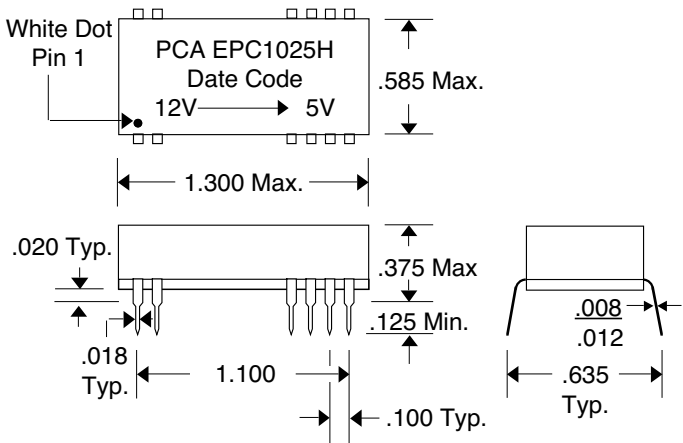
PACKAGE E



PACKAGE F2



PACKAGE E1



PACKAGE E4

