

EPC1005H



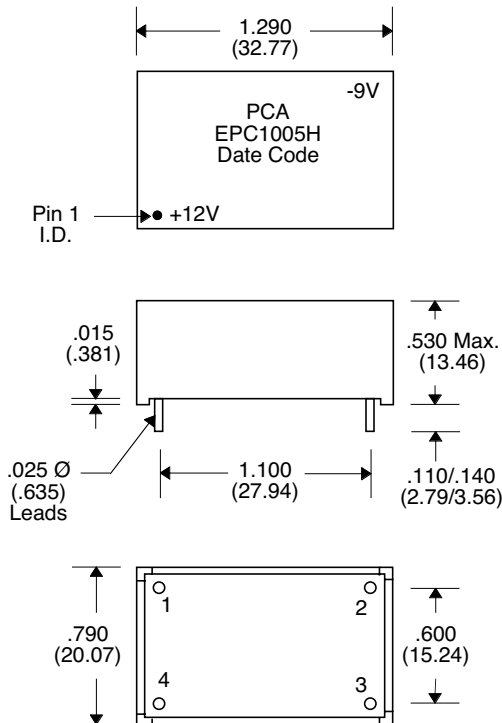
- Designed for Low Common Mode Noise
- 70% Min. Efficiency at Full Load @ Nominal Input Voltage
- Input Filter to Reduce Input Ripple Current (Less than 10 mA p-p Typical)
- Input/Output Isolation : 2000 Vrms
- No Over Current Protection
- Fuse Protected

Electrical Specifications

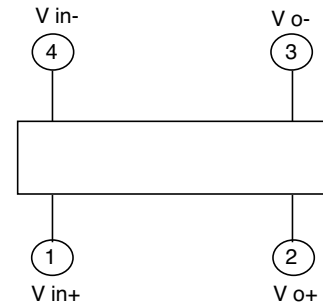
Parameters	Min.	Typ.	Max.	Units
Input Voltage (for specified output)	7.5	12	15	Volts
Output Voltage	-8.8	-9	-9.2	Volts
Output Current	50	200	250	mA
Output Ripple & Noise @ 20 MHz BW	---	---	200	mV p-p
Input Ripple Current	---	---	25	mV p-p

- Do Not Short Circuit Output Pins (This device Does Not come with an Internal Short Circuit Protection) •
- Operating Temperature Range : 0°C to +70°C • Storage Temperature Range : -20°C to +85°C •
- Operating Humidity Range : 85% RH •

Package



Pin Connections



Unless Otherwise Specified Dimensions are in Inches /mm ± .010 / .25