

Ethernet DC/DC Converter EPC1111P & EPC1111H

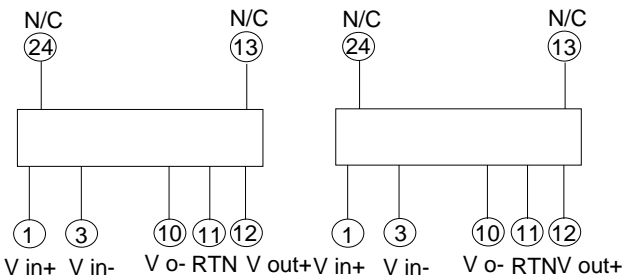
- Features**
- 75 % Typical efficiency at full load
 - Dual, Unregulated Output
 - Input / Output Isolation
 - Input filter to reduce input ripple current
 - Designed for low common mode noise

Electrical Specifications

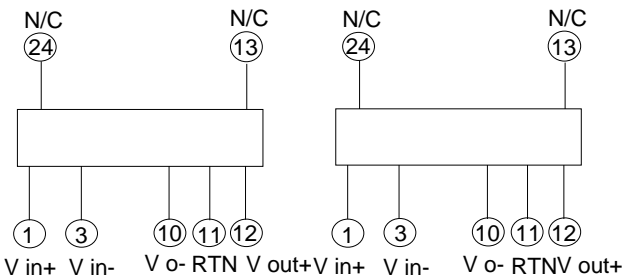
*Note : Package with G = Surface Mount Device

| PCA P/N | Standard Package | Optional Packages | Input Voltage V | Output Voltage V | Output Current mA Max. | Output Ripple & Noise @ 20 MHz BW mV p-p | Isolation Vrms |
|----------|------------------|-------------------|-----------------|------------------|------------------------|--|----------------|
| EPC1111P | E10 | E10-G*, F5 | 12.0 | $\pm 9 \pm 5\%$ | 30 Max. | 100 Max. | 500 |
| EPC1111H | E10 | E10-G*, F5, E13 | 12.0 | $\pm 9 \pm 5\%$ | 30 Max. | 100 Max. | 2000 |

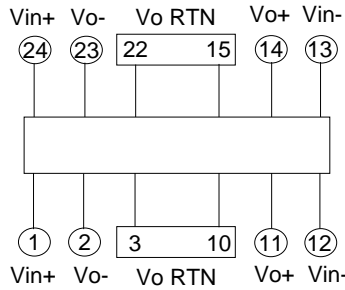
Pin Connections for E10



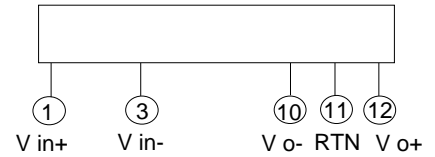
Pin Connections for E10-G



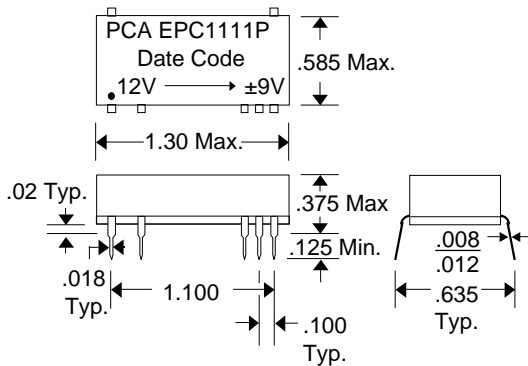
Pin Connections for E13



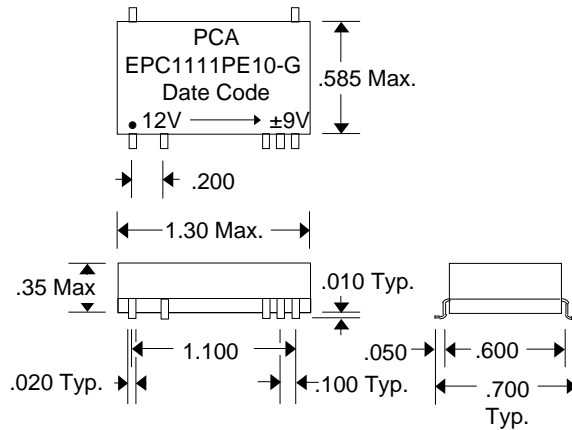
Pin Connections for F5



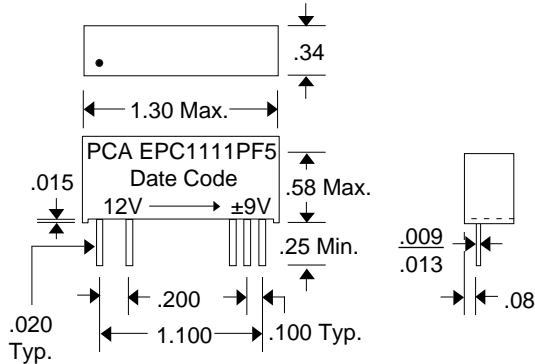
PACKAGE E10



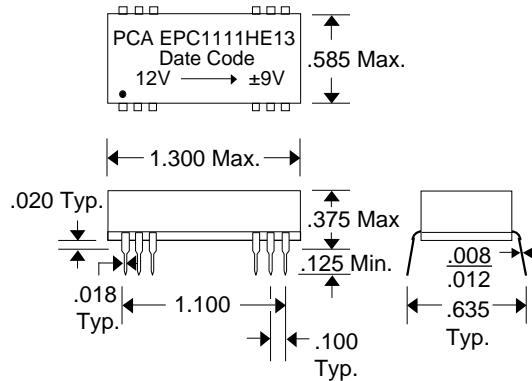
PACKAGE E10-G



PACKAGE F5



PACKAGE E13



DSC1111 Rev. 6/4/96

QAF-CS06 Rev. B 9/9/94

Unless Otherwise Noted Dimensions in Inches

Tolerances:
 Fractional = $\pm 1/32$
 .XX = $\pm .030$.XXX = $\pm .010$



16799 SCHOENBORN ST.
 NORTH HILLS, CA 91343
 TEL: (818) 892-0761
 FAX: (818) 894-5791